

# JENNAIR® FRENCH DOOR REFRIGERATOR

## RÉFRIGÉRATEUR JENNAIR® AVEC PORTE À DOUBLE BATTANT

## REFRIGERADOR DE PUERTAS FRANCESAS JENNAIR®

---

### USE AND CARE GUIDE

For questions about features, operation/performance, parts, accessories, or service,  
call **1-800-JENNAIR (1-800-536-6247)** or visit our website at **www.jennair.com**.

In Canada, call **1-800-JENNAIR (1-800-536-6247)** or visit our website at **www.jennair.ca**.

Get the app, connect instructions, terms of use, and privacy policy at **www.jennair.com/connect**.

---

### GUIDE D'UTILISATION ET D'ENTRETIEN

Au Canada, pour assistance, installation ou service, composez le **1-800-JENNAIR (1-800-536-6247)**  
ou visitez notre site Web à **www.jennair.ca**.

---

### MANUAL DE USO Y CUIDADO

Si tiene preguntas respecto a las características, funcionamiento, rendimiento, partes, accesorios o servicio técnico,  
llame al **1-800-JENNAIR (1-800-536-6247)** o visite nuestro sitio de internet: **www.jennair.com**.

En Canadá, llame al **1-800-JENNAIR (1-800-536-6247)** o visite nuestro sitio de internet: **www.jennair.ca**.

---

Table of Contents/Table des matières/Índice.....2

---

**JENNAIR®**

W10815172D

# TABLE OF CONTENTS

<b>REFRIGERATOR SAFETY</b> .....	<b>3</b>	Accessories.....	21
<b>PARTS AND FEATURES</b> .....	<b>4</b>	<b>REFRIGERATOR USE</b> .....	<b>21</b>
What's New Behind the Doors?.....	5	Opening and Closing Doors.....	21
<b>GETTING STARTED</b> .....	<b>6</b>	Using the Controls.....	22
<b>REFRIGERATOR CONNECTIVITY FEATURES</b> .....	<b>7</b>	External Dispenser Controls.....	24
<b>CONNECTIVITY SETUP</b> .....	<b>8</b>	Lighting the Refrigerator.....	24
<b>INSTALLATION INSTRUCTIONS</b> .....	<b>10</b>	Water and Ice Dispensers.....	24
Unpack the Refrigerator.....	10	Ice Maker and Storage Bin.....	27
Location Requirements.....	10	Shelves, Bins, and Drawers.....	29
Remove and Replace Refrigerator Doors.....	11	Freezer Drawers.....	31
Remove and Replace Freezer Drawer Fronts.....	14	Audio Reference.....	31
Electrical Requirements.....	15	<b>REFRIGERATOR CARE</b> .....	<b>32</b>
Water Supply Requirements.....	15	Cleaning.....	32
Connect the Water Supply.....	15	Lights.....	33
Handle Installation and Removal.....	17	Vacation and Moving Care.....	33
Refrigerator Leveling and Door Closing.....	18	<b>TROUBLESHOOTING—CONNECTED MODELS</b> .....	<b>34</b>
<b>FILTERS AND ACCESSORIES</b> .....	<b>18</b>	<b>TROUBLESHOOTING</b> .....	<b>35</b>
Water Filtration System.....	18	<b>PERFORMANCE DATA SHEET</b> .....	<b>44</b>
Install FreshFlow™ Air Filter.....	20	<b>WARRANTY</b> .....	<b>45</b>
Install Produce Preserver (on some models).....	20		

# TABLE DES MATIÈRES

<b>SÉCURITÉ DU RÉFRIGÉRATEUR</b> .....	<b>46</b>	Accessoires.....	64
<b>PIÈCES ET CARACTÉRISTIQUES</b> .....	<b>47</b>	<b>UTILISATION DU RÉFRIGÉRATEUR</b> .....	<b>64</b>
Quoi de neuf en coulisse?.....	48	Ouverture et fermeture des portes.....	64
<b>POUR COMMENCER</b> .....	<b>49</b>	Utilisation des commandes.....	65
<b>CARACTÉRISTIQUES DE CONNEXION</b>		Commandes de distributeur externe.....	67
<b>DU RÉFRIGÉRATEUR</b> .....	<b>50</b>	Éclairage du réfrigérateur.....	67
<b>CONFIGURATION DE LA CONNECTABILITÉ</b> .....	<b>51</b>	Distributeurs d'eau et de glaçons.....	67
<b>INSTRUCTIONS D'INSTALLATION</b> .....	<b>53</b>	Machine à glaçons et bac d'entreposage.....	70
Déballage du réfrigérateur.....	53	Tablettes, balconnets et tiroirs.....	72
Exigences d'emplacement.....	53	Tiroirs du congélateur.....	74
Retrait et réinstallation des portes du réfrigérateur.....	54	Référence audio.....	74
Retrait et remplacement de l'avant du tiroir de congélation.....	57	<b>ENTRETIEN DU RÉFRIGÉRATEUR</b> .....	<b>75</b>
Spécifications électriques.....	58	Nettoyage.....	75
Spécifications de l'alimentation en eau.....	58	Lampes.....	76
Raccordement à la canalisation d'eau.....	58	Précautions à prendre pour les vacances	
Installation et retrait des poignées.....	60	ou le déménagement.....	76
Nivellement du réfrigérateur et fermeture de la porte.....	61	<b>DÉPANNAGE – MODÈLES AVEC CONNEXION</b> .....	<b>77</b>
<b>FILTRES ET ACCESSOIRES</b> .....	<b>61</b>	<b>DÉPANNAGE</b> .....	<b>78</b>
Système de filtration d'eau.....	61	<b>FICHE DE DONNÉES RELATIVES AU RENDEMENT</b> .....	<b>87</b>
Installation du filtre à air FreshFlow™.....	63	<b>GARANTIE</b> .....	<b>88</b>
Installation du conservateur de produits frais			
(sur certains modèles).....	63		

# ÍNDICE

<b>SEGURIDAD DEL REFRIGERADOR</b> .....	<b>90</b>	Cómo instalar el preservador de alimentos frescos	
<b>PIEZAS Y CARACTERÍSTICAS</b> .....	<b>91</b>	(en algunos modelos).....	107
¿Qué hay de nuevo detrás de las puertas?.....	92	Accesorios.....	108
<b>CÓMO COMENZAR</b> .....	<b>93</b>	<b>USO DEL REFRIGERADOR</b> .....	<b>108</b>
<b>CARACTERÍSTICAS DE CONECTIVIDAD</b>		Cómo abrir y cerrar las puertas.....	108
<b>DEL REFRIGERADOR</b> .....	<b>94</b>	Uso de los controles.....	109
<b>CONFIGURACIÓN DE LA CONECTIVIDAD</b> .....	<b>95</b>	Controles del despachador externo.....	111
<b>INSTRUCCIONES DE INSTALACIÓN</b> .....	<b>97</b>	Iluminación del refrigerador.....	111
Desembale el refrigerador.....	97	Despachadores de agua y de hielo.....	111
Requisitos de ubicación.....	97	Fábrica de hielo y depósito de almacenamiento.....	114
Cómo retirar y volver a colocar las puertas del refrigerador.....	98	Estantes, depósitos y cajones.....	116
Cómo retirar y volver a colocar el frente de los cajones		Cajones del congelador.....	118
del congelador.....	101	Referencia de audio.....	118
Requisitos eléctricos.....	102	<b>CUIDADO DEL REFRIGERADOR</b> .....	<b>119</b>
Requisitos de suministro de agua.....	102	Limpieza.....	119
Conexión del suministro de agua.....	102	Luces.....	120
Cómo instalar y quitar las manijas.....	104	Cuidado durante las vacaciones y las mudanzas.....	120
Nivelación del refrigerador y cierre de las puertas.....	105	<b>SOLUCIÓN DE PROBLEMAS: MODELOS CONECTADOS</b> .....	<b>121</b>
<b>FILTROS Y ACCESORIOS</b> .....	<b>105</b>	<b>SOLUCIÓN DE PROBLEMAS</b> .....	<b>122</b>
Sistema de filtración de agua.....	105	<b>HOJA DE DATOS DE RENDIMIENTO</b> .....	<b>131</b>
Cómo instalar el filtro de aire FreshFlow™.....	107	<b>GARANTÍA</b> .....	<b>132</b>

# REFRIGERATOR SAFETY

## Your safety and the safety of others are very important.

We have provided many important safety messages in this manual and on your appliance. Always read and obey all safety messages.



This is the safety alert symbol.

This symbol alerts you to potential hazards that can kill or hurt you and others.

All safety messages will follow the safety alert symbol and either the word "DANGER" or "WARNING." These words mean:

**⚠ DANGER**

You can be killed or seriously injured if you don't immediately follow instructions.

**⚠ WARNING**

You can be killed or seriously injured if you don't follow instructions.

All safety messages will tell you what the potential hazard is, tell you how to reduce the chance of injury, and tell you what can happen if the instructions are not followed.

## IMPORTANT SAFETY INSTRUCTIONS

**WARNING:** To reduce the risk of fire, electric shock, or injury when using your refrigerator, follow these basic precautions:

- Plug into a grounded (earthed) outlet.
- Do not remove ground prong.
- Do not use an adapter.
- Do not use an extension cord.
- Disconnect power before servicing.
- Replace all parts and panels before operating.
- Remove doors from your old refrigerator.
- Use nonflammable cleaner.
- Do not store or use petrol, flammable liquids or gas in the vicinity of this or other electrical appliances. The fumes can cause fires or explosions.
- Do not store explosive substances such as aerosol cans with a flammable propellant in this refrigerator.
- Do not use or place electrical devices inside the refrigerator compartments if they are not of the type expressly authorized by the manufacture.
- Use two or more people to move and install refrigerator.
- Disconnect power before installing ice maker (on ice maker kit ready models only).
- A qualified service technician must install the water line and ice maker.
- Connect to a potable water supply only.
- Use a sturdy glass when dispensing ice (on some models).
- This appliance is not intended for use by persons (including children) with reduced physical, sensory or mental capabilities, or lack of experience and knowledge, unless they have been given supervision or instruction concerning use of the appliance by a person responsible for their safety.
- Children should be supervised to ensure that they do not play with the appliance.
- To avoid the risk of children becoming trapped and suffocating, do not allow them to play or hide inside the refrigerator.
- If the power supply cord is damaged, it must be replaced by the manufacturer or its service agent or a similarly qualified person.

## SAVE THESE INSTRUCTIONS

State of California Proposition 65 Warnings:

WARNING: This product contains one or more chemicals known to the State of California to cause cancer.

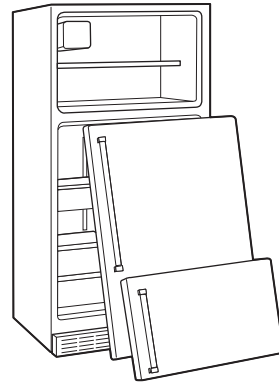
WARNING: This product contains one or more chemicals known to the State of California to cause birth defects or other reproductive harm.

## Proper Disposal of Your Old Refrigerator

### **⚠️ WARNING**

#### **Suffocation Hazard**

**Remove doors from your old refrigerator.  
Failure to do so can result in death or brain damage.**



**IMPORTANT:** Child entrapment and suffocation are not problems of the past. Junked or abandoned refrigerators are still dangerous—even if they will sit for “just a few days.” If you are getting rid of your old refrigerator, please follow these instructions to help prevent accidents.

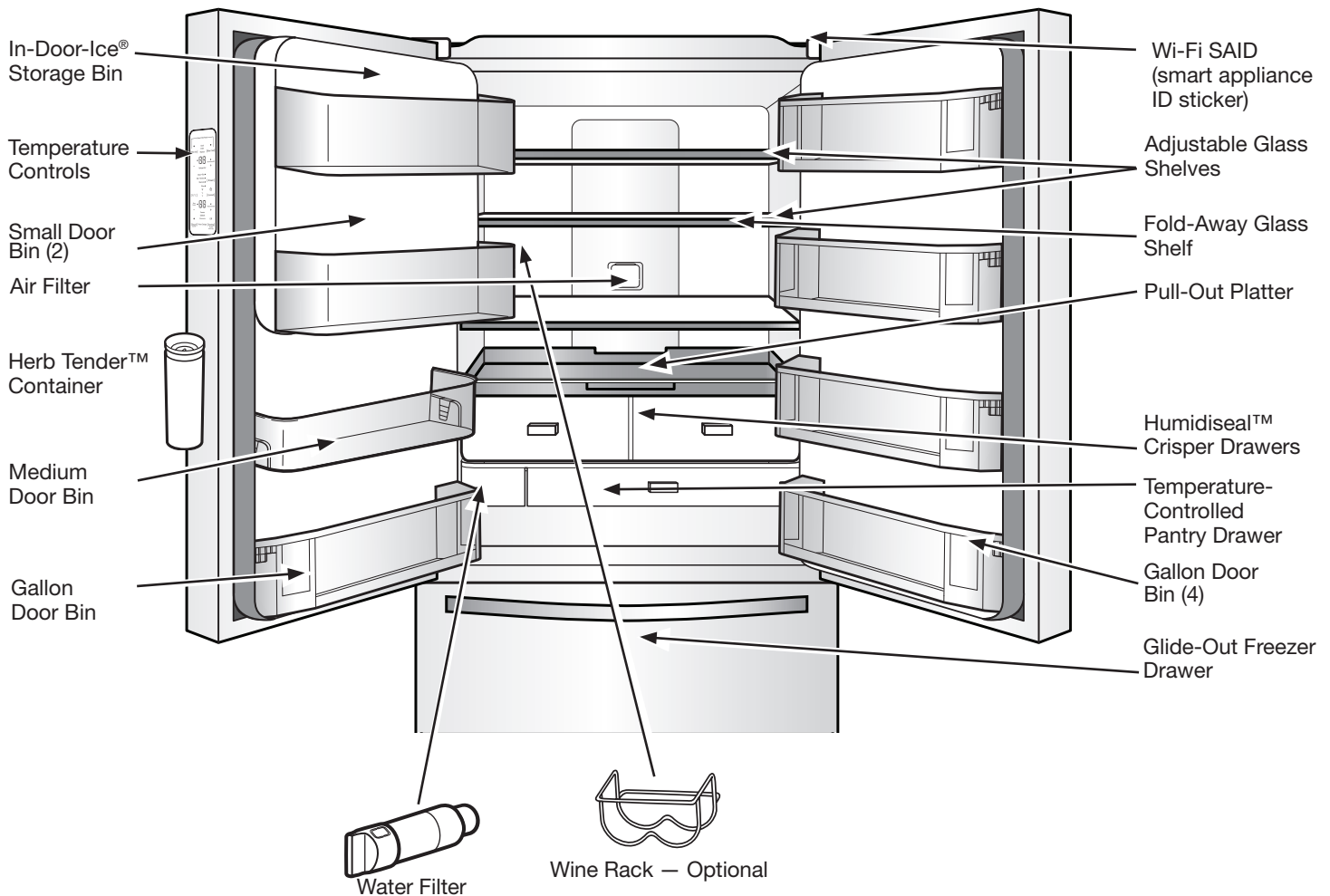
#### **Before You Throw Away Your Old Refrigerator or Freezer:**

- Take off the doors.
- Leave the shelves in place so that children may not easily climb inside.

#### **Important information to know about disposal of refrigerants:**

Dispose of refrigerator in accordance with Federal and Local regulations. Refrigerants must be evacuated by a licensed, EPA certified refrigerant technician in accordance with established procedures.

## PARTS AND FEATURES



## What's New Behind the Doors?

Your JennAir® French door refrigerator comes equipped with various innovative storage and energy-efficient features.

### Obsidian Interior

This dramatic interior showcases food items throughout the refrigerator and provides a sharper contrast than white interiors. Includes coordinating crisper drawers and freezer.

### Energy and Normal Operating Sounds

Your new French door bottom-mount refrigerator has been designed with a Linear Compressor to optimize energy efficiency and better regulate temperatures to match cooling demand. You may notice that it operates differently than your previously owned refrigerator. This allows the refrigerator to respond at variable speeds and optimize cooling needs by avoiding abrupt start/stop cycles.

### In-Door-Ice® Storage Bin

The ice maker and ice storage bin are located in the door for easy access to filtered ice while freeing up valuable shelf space inside and adding additional door bins for more usable space.

### Twin Fresh™ Climate Control System

The refrigerator and freezer compartments have separate evaporators to provide fresh food and frozen food with optimal storage climates: cool and humid in the fresh food, cold and dry in the freezer, no mixing of air between the compartments to reduce the transfer of food odors and tastes from refrigerator to freezer and allow freezer air to remain dry to control frost and reduce freezer burn.

### FreshFlow™ Air Filter

An air filter is 15 times more powerful than baking soda at reducing common food odors inside the refrigerator. Replace your air filter every 6 months for maximum odor reduction.

### Water Dispenser with Measured Fill

The Measured Fill feature allows you to dispense a desired amount of filtered water in handy increments like 8, 16, or 24 oz.

### Water Dispenser with Favorite Fill

The Favorite Fill feature allows you to save 2 custom presets that can be programmed for favorite items that are frequently filled like a coffee pot or a water bottle.

### Fold-Away Glass Shelf

This special shelf provides a flexible storage option for tall items by allowing half the shelf to fold out of the way.

### Pull-Out Platter

This full-width slide-out shelf is ideal for holding finished dishes waiting to be served or for ingredients needing more preparation.

### Electronic Temperature-Controlled Pantry Drawers

These drawers provide precise, independent temperature control with 4 specialized settings for maximum flexibility.

### Herb Tender™ Container

This removable accessory provides a dedicated space to help optimize herb freshness.

### Humidiseal™ Crisper Drawers

These drawers maintain a higher humidity level than the main refrigerator compartment to help keep produce fresh.

### Small Items Bin

This bonus storage area is perfect for butter, cream cheese, or salad/condiment packets.

### Interior LED Theater Lighting

Multiple strips of LED lights inside the refrigerator compartment, freezer compartment, and interior drawers minimize shadows and evenly distribute light throughout the refrigerator.

### Soft, Auto-Close Technology

Provides smooth operation of drawer glides with an auto-close design that pulls drawers closed.

### Door Ajar Alarm

A helpful alarm sounds when the refrigerator door or freezer drawer is left ajar.

### Power Outage Indicator

If the power should go out while you are away from home, this indicator will let you know that the refrigerator has been without power.

### Wi-Fi Connectivity

This refrigerator can connect with in-home Wi-Fi to provide remote control through an app, available to download for use with either iOS or Android devices.

### House Symbol

This function automatically turns on after the appliance is provisioned and registered. Pressing the Connect button, will turn off this function temporarily.



To view videos on door removal/replacement, door adjustment, water filter installation, air filter installation, shelf adjustment or removal, and Wi-Fi (if applicable) connectivity, scan the code to the left with your mobile device.

# GETTING STARTED

## INSTALLATION CHECKLIST

### ✓ Electrical Power

## ⚠ WARNING



### Electrical Shock Hazard

**Plug into a grounded 3 prong outlet.**

**Do not remove ground prong.**

**Do not use an adapter.**

**Do not use an extension cord.**

**Failure to follow these instructions can result in death, fire, or electrical shock.**

- Plug refrigerator into a grounded 3 prong outlet.
- ✓ **Doors**
- If doors need to be removed during installation, see the “Remove and Replace Doors” in the instructions.
- Check that handles are secure and installed according to the instructions.
- Doors seal completely.
- Refrigerator is level. (Remove base grille and adjust leveling feet so they are snug against the floor.)
- Doors are even across the top. (Use door alignment feature if necessary.)
- Base grille is properly attached to the refrigerator.

### ✓ Ice and Water System (on some models)

- Connect refrigerator to a cold water supply with 20-120 psi water pressure, as specified in the instructions.
- Make sure the household water supply is connected and turned on.
- Check that the water supply line behind refrigerator is not kinked.
- Only use recommended water supply tubing, copper, or PEX, as specified in the instructions.
- Install water filter according to the instructions.
- Flush water system with 3 gallons (11.4 L) of water, as specified in the instructions.
- Check for water leaks at all connections.
- Turn on ice maker if refrigerator is connected to water supply. (If not connected to water supply, turn off ice maker.)

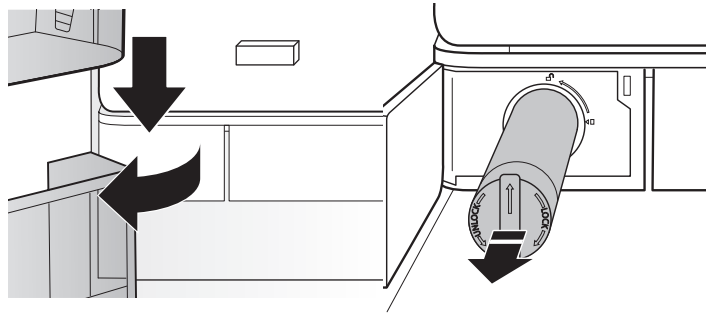
### ✓ Final Checks

- Install air filter according to instructions in corresponding packaging.
- Remove all shipping material.
- Set temperature controls to the recommended setting.
- Save instructions and other literature.
- Send in Registration Card or register your product online.

## WATER FILTER INSTALLATION

- Locate the water filter compartment in the lower left-hand side of the refrigerator compartment. Push on the right side of the filter door to open.
- Align the arrow on the water filter cap with the cutout notch in the filter housing and insert filter.

- Once the filter is inserted, turn the filter clockwise 90° (1/4 turn) until it locks into the housing.
- Push water filter door closed to latch.
- Flush 3 gallons (11.4 L) of water through the water system to clear air from the water line and to keep the dispenser from dripping and/or avoiding decreased dispenser flow.  
**NOTE:** If the filter is not installed correctly, water may dispense at a lower flow rate and there will be slower ice production. Improper filter installation may also cause the water filter housing to leak.



## DOOR ALIGNMENT

### Tools Required

Depending on the width of the door opening, the following tools may be required to remove, replace, and align the refrigerator doors.

### Tools Needed:

- 1/4" hex nut driver – base grille, freezer drawer screws, and brake/leveling feet

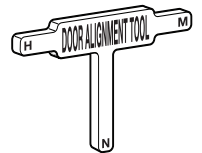
### Tools Provided:

- 1/8" hex key – handle setscrews and door alignment

### Door alignment tool instructions

### Features:

- Creates an even horizontal gap between the refrigerator doors.
- Solves door alignment issues during installation and improves door seal.

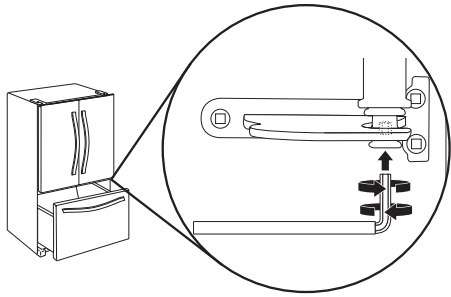


### Align Refrigerator Doors

#### ✓ If doors are uneven:

- Ensure the refrigerator is level.
- Keeping both refrigerator doors closed, pull out the freezer drawer. Locate the bottom hinge pin of the right-hand refrigerator door. The alignment screw is inside the bottom hinge pin.
- Insert the short end of the 1/8" hex-key wrench (packed with the Door Handle Installation Instructions) into the bottom hinge pin until it is fully engaged in the alignment screw. To raise the refrigerator door, turn the hex key to the right. To lower the door, turn the hex key to the left.

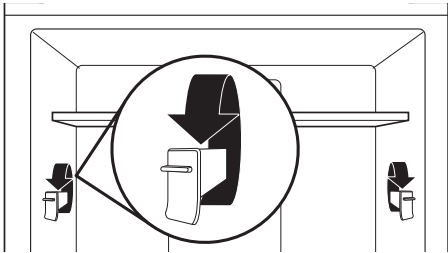
- Continue to turn the alignment screw until the tops of the door are aligned.



### Shelf Height Adjustment

Shelf height can be adjusted by changing the adjustable shelf mounts between their vertical and horizontal positions.

- Carefully lift the shelf off the shelf mounts and turn the flipper to the desired orientation.
- Repeat for remaining shelf mounts.
- Ensure the shelf is properly seated on the shelf mounts.



## ENERGY SAVER MODE AND NORMAL OPERATING SOUNDS

Your new French door bottom mount refrigerator has been designed to optimize energy efficiency and better regulate temperatures to match cooling demand.

You may notice that it operates differently from your previously owned refrigerator.

It is normal for the high-efficiency compressor to run for extended periods of time at varying speeds in order to consume only the energy necessary for optimum efficiency.

In addition, during various stages of the cooling cycle, you may hear normal operating sounds that are unfamiliar to you.

### Energy Saver Mode

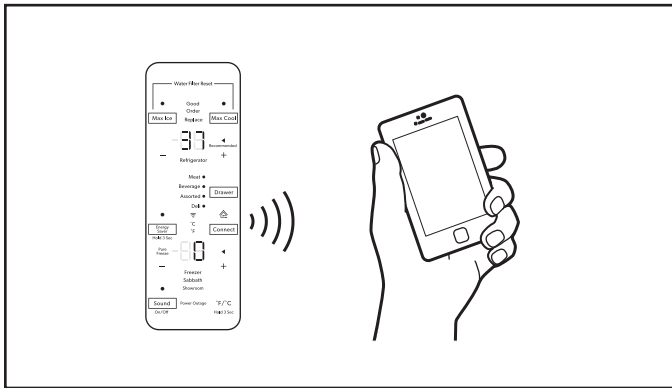
A selectable feature that turns off the heaters around the refrigerator doors and dispenser. When this feature is enabled, condensation may form on the front of the refrigerator cabinet, gasket, or on top of the freezer drawer. Savings may vary based on the relative humidity of environment.

## REFRIGERATOR CONNECTIVITY FEATURES

(on some models)

Wi-Fi connectivity allows your Smart Refrigerator to connect to the Internet and interact with the JennAir app from your smartphone or mobile device. This connection opens up several Smart options to you — options intended to save you valuable time and energy. Refer to the “Troubleshooting—Connected Models” section of this Use & Care Guide, check any connection instructions for your specific router, and refer to alternate instructions at [www.jennair.com/connect](http://www.jennair.com/connect) or call 1-877-559-2603.

**NOTE:** Requires Wi-Fi and account creation. App features and functionality subject to change. Subject to Terms of Service available at: [www.jennair.com/connect](http://www.jennair.com/connect). Data rates may apply.



## SMART FEATURES

Smart Features help make your everyday a little more efficient by letting you remotely monitor, manage, and maintain your refrigerator.

### Remote Temperature Control

**What it does:** Allows you to control your refrigerator remotely from your mobile device via the JennAir app.

**What it does for you:** Lets you control temperatures in your refrigerator, freezer, and temperature-controlled pantry remotely—not just when you are standing in front of it.

### Water Filter Status

**What it does:** Gives you a look at the life remaining for your water filter before replacement is needed. This allows you to reset the filter.

**What it does for you:** Helps you be more efficient in planning for ordering and replacing filters.

### Auto Reorder App

**What it does:** Allows you to order replacement filters, consumables, and accessories via the JennAir app for delivery directly to your home.

**What it does for you:** Simplifies ordering correct water and air filters—no trips to the store searching for the correct filters.

### Door Ajar Alert

**What it does:** Sends you a notification when one of the doors of the refrigerator has been left open.

**What it does for you:** Alerts you to door-open status so you can close the door(s) or call home to ask someone else to close door(s) before over-temperature situation arises.

### Power Outage Alerts

**What it does:** Sends you a notification when power to your refrigerator is disconnected, returns, and when the highest temperature is reached in the refrigerator and freezer compartments during the power outage.

**What it does for you:** Alerts you to power status and duration of outage to provide input regarding disposition of refrigerator/freezer contents.

## Over Temperature

**What it does:** Sends you a notification when the temperature in your refrigerator rises and reaches above a specified value in the refrigerator and freezer compartments.

**What it does for you:** Alerts you to over-temperature status to provide input regarding disposition of refrigerator/freezer contents.

## Max Cool

**What it does:** Allows you to control your refrigerator remotely from your mobile device via the JennAir app.

**What it does for you:** Lets you turn on/off Max Cool options remotely to make temperatures colder in the refrigerator in anticipation of loading newly purchased grocery items. Lowers internal temperatures for 24 hours.

## Max Ice

**What it does:** Allows you to control your freezer remotely from your mobile device via the JennAir app.

**What it does for you:** Lets you turn on/off Max Ice remotely to increase ice production. Reduces the set temperature to the lowest possible setting for 24 hours to maximize ice production.

## Pure Freeze® Mode Control

**What it does:** Allows you to receive status of your refrigerator remotely to your mobile device via the JennAir app.

**What it does for you:** Informs you whether Pure Freeze® mode is active in your refrigerator to reduce freezer burn and help frozen items maintain their appearance and taste.

## Sabbath Mode

**What it does:** Allows the door of the refrigerator or freezer to be opened or closed during the Sabbath or other religious holidays without activating the interior lights or controls. Allows you to turn on and off remotely from your mobile device via the JennAir app.

**What it does for you:** Lets you turn on/off Sabbath mode options remotely.

## Dispenser Light Brightness Control

**What it does:** Allows you to control your refrigerator remotely to your mobile device via the JennAir app.

**What it does for you:** Lets you turn on/off the dispenser lighting remotely.

## Favorite Fill Control

**What it does:** Allows you to change your Favorite Fill values on your refrigerator remotely using your mobile device via the JennAir app.

**What it does for you:** Lets you set and save Favorite Fill values remotely.

## GET STARTED

Refer to the Quick Connect packet that came with your refrigerator, or go to [www.jennair.com/connect](http://www.jennair.com/connect) and follow the instructions to get connected.

Check the JennAir app frequently for additional information and features.

Requires Wi-Fi and account creation. App features and functionality subject to change. Subject to Terms of Service available at: [www.jennair.com/connect](http://www.jennair.com/connect). Data rates may apply.

# CONNECTIVITY SETUP

(on some models)

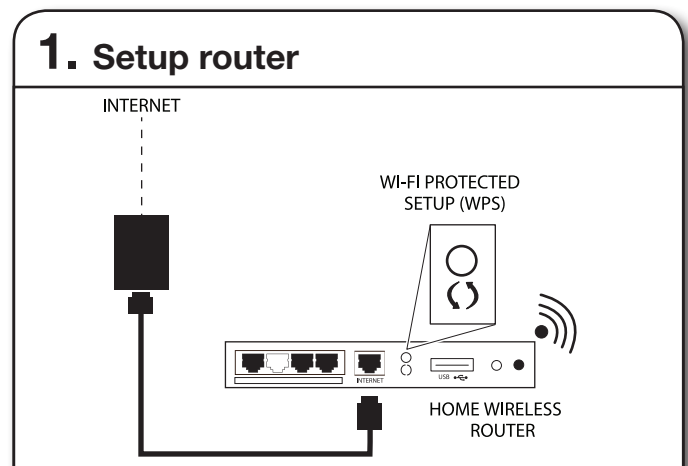
**IMPORTANT:** Proper installation of your refrigerator prior to use is your responsibility. Be sure to read and follow the User Instructions that came with your refrigerator.

## Automatic Set-Up Instructions—Wi-Fi Protected Setup (WPS)

### You will need:

- A home wireless router capable of WPS. The router should be ON and have a live Internet connection.
- The Smart Appliance Identification Number (SAID) from your refrigerator. This is located on a sticker on the front side of the right-hand hinge cover of the refrigerator.

**NOTE:** If your home wireless router is not equipped with a WPS button, please check the user manual of your router to confirm if it is WPS capable. If not, alternate set-up instructions are at [www.jennair.com/connect](http://www.jennair.com/connect).

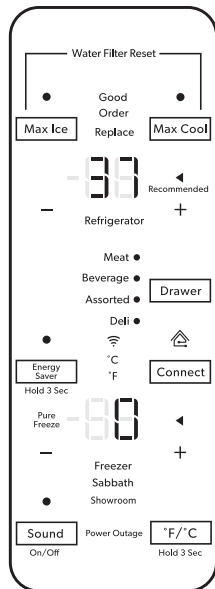


Press the WPS button on the router. An indicator light will begin blinking.

**HELPFUL TIP:** The WPS function on your router is active for 2 minutes. Complete the next step within that timeframe or you will need to reinitiate WPS.



## 2. Setup refrigerator (time-sensitive step)



Press and hold Connect button for 3 seconds on Home screen. The Wi-Fi status indicator (📶) on the refrigerator control panel will blink slowly while your refrigerator and router attempt to connect.

If the connection is successful, the Wi-Fi status indicator will come on and remain lit.

### If Your Refrigerator Doesn't Connect:

If your refrigerator and router fail to connect after 2 minutes, the Wi-Fi status indicator will blink rapidly for 5 seconds and then turn off. Refer to the “Troubleshooting—Connected Models” section of this Use & Care Guide, check any connection instructions for your specific router, and refer to alternate instructions at [www.jennair.com/connect](http://www.jennair.com/connect) or call **1-877-559-2603**.

**NOTE:** If this is your first Smart Appliance, you will need to download the JennAir app and create an online user account.

If you already have the app and a user account, please skip ahead to Step 4 “Register your refrigerator in your user account.”

To disconnect Wi-Fi, press and hold Connect button between 7 and 15 seconds, the <Wi-Fi> and <house> icons will turn off, indicating that you have disabled the Wi-Fi radio.

To reconnect Wi-Fi, press and hold Connect button for 3 seconds on the Home screen.

The Wi-Fi status indicator (📶) on the refrigerator control panel will blink slowly while your refrigerator and router attempt to connect.

If the connection is successful, the Wi-Fi status indicator will come on and remain lit.

To disconnect your refrigerator from your router, press and hold CONNECT for more than 15 seconds. The <Wi-Fi> and <house> icons will turn off, indicating that your refrigerator is completely disconnected from Wi-Fi and your router.

To re-connect your refrigerator to your router and reconnect Wi-Fi, press and hold CONNECT for 3 seconds on the Home screen.

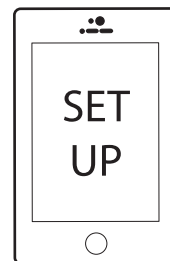
The Wi-Fi status indicator (📶) on the refrigerator control panel will blink slowly while your refrigerator and router attempt to connect.

If the connection is successful, the Wi-Fi status indicator will come on and remain lit.

Press the WPS button on the router. An indicator light will begin blinking.

**HELPFUL TIP:** The WPS function on your router is active for 2 minutes. Complete the next step within that timeframe or you will need to reinitiate WPS.

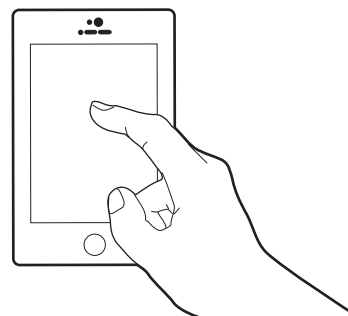
## 3. Download JennAir app and set up user account



From your mobile device, smartphone, or tablet, go to [www.jennair.com/connect](http://www.jennair.com/connect) and follow the instructions to download and install the JennAir app.

Once installed, tap the JennAir app icon to open the app. You will be guided through the steps to set up a user account. The app will make sure to get the necessary personal and home information as well as information about your energy company.

## 4. Register your refrigerator in your user account



Registering your refrigerator in your account is a necessary step in order for you to take full advantage of the Smart features. When prompted by the app, enter the SAID (case sensitive), which can be found on a sticker on the front side of the right hand hinge cover of the refrigerator.

My Smart Appliance ID# is:

- The Wi-Fi status indicator on the refrigerator control panel will blink slowly while your refrigerator and router attempt to connect.
- Note that this blinking only applies to first-time registration after provisioning. No blinking behavior for automatic reconnection after a connection is established.
- Once you've connected your refrigerator to your home Wi-Fi network, it will remain linked even if the power goes out, you move the appliance, or if you put it in storage for a while.
- If you replace your wireless router (or get a different Smart refrigerator), you will need to repeat this connectivity set-up process.

# INSTALLATION INSTRUCTIONS

## Unpack the Refrigerator

### **⚠ WARNING**

#### **Excessive Weight Hazard**

**Use two or more people to move and install refrigerator.**

**Failure to do so can result in back or other injury.**

#### Refrigerator Delivery

- A minimum door opening of 33" (838 mm) is required. If door opening is 36" (914 mm) or less, then removal of doors, drawer, and hinges is required.
- Cart the refrigerator from the side for all door openings

#### **When Moving Your Refrigerator:**

Your refrigerator is heavy. When moving the refrigerator for cleaning or service, be sure to cover the floor with cardboard or hardboard to avoid floor damage. Always pull the refrigerator straight out when moving it. Do not wiggle or "walk" the refrigerator when trying to move it, as floor damage could occur.

#### Remove the Packaging

- Remove tape and glue residue from surfaces before turning on the refrigerator. Rub a small amount of liquid dish soap over the adhesive with your fingers. Wipe with warm water and dry.
- Do not use sharp instruments, rubbing alcohol, flammable fluids, or abrasive cleaners to remove tape or glue. These products can damage the surface of your refrigerator.
- Dispose of/recycle all packaging materials.

#### Clean Before Using

After you remove all of the packaging materials, clean the inside of your refrigerator before using it. See the cleaning instructions in the "Refrigerator Care" section.

#### **Important information to know about glass shelves and covers:**

Do not clean glass shelves or covers with warm water when they are cold. Shelves and covers may break if exposed to sudden temperature changes or impact, such as bumping. Tempered glass is designed to shatter into many small, pebble-size pieces. This is normal. Glass shelves and covers are heavy. Use both hands when removing them to avoid dropping.

## Location Requirements

### **⚠ WARNING**



#### **Explosion Hazard**

**Keep flammable materials and vapors, such as gasoline, away from refrigerator.**

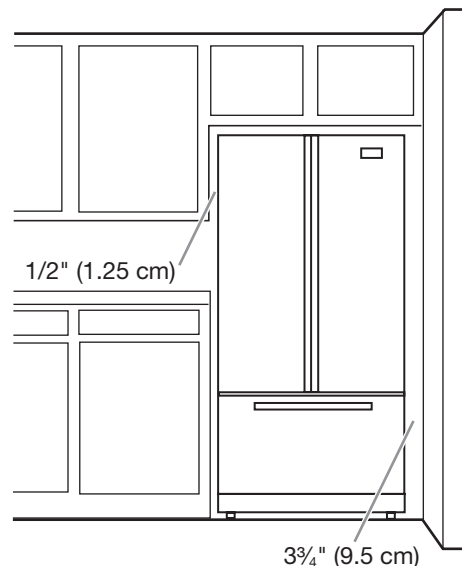
**Failure to do so can result in death, explosion, or fire.**

**IMPORTANT:** This appliances is intended to be used in household and similar applications such as:

- Staff kitchen areas in shops, office and other working environments,
- Farm houses and by clients in hotels, motels and other residential type environments,
- Bed and breakfast type environments,
- Catering and similar non-retail applications.

To ensure proper ventilation for your refrigerator, allow for a minimum 1/2" (1.25 cm) of space on each side and at the top. Allow for a minimum 1" (2.54 cm) space behind the refrigerator. If your refrigerator has an ice maker, allow extra space at the back for the water line connections. When installing your refrigerator next to a fixed wall, leave a 3 3/4" (9.5 cm) minimum space between the refrigerator and wall to allow the door to swing open.

**NOTE:** This refrigerator is intended for use in a location where the temperature ranges from a minimum of 55°F (13°C) to a maximum of 110°F (43°C). The preferred room temperature range for optimum performance, which reduces electricity usage and provides superior cooling, is between 60°F (15°C) and 90°F (32°C). It is recommended that you do not install the refrigerator near a heat source such as an oven or radiator.



## Remove and Replace Refrigerator Doors

**NOTE:** Measure the width of your house door opening to see whether or not you need to remove the refrigerator doors to move the refrigerator into your home. If refrigerator door removal is necessary, see the following instructions.

**IMPORTANT:** If the refrigerator was previously installed and you are moving it out of the home, before you begin, turn the refrigerator control off. Unplug the refrigerator or disconnect power. Remove food and adjustable door or utility bins from doors.

Gather the required tools and read all instructions before removing doors.

**TOOLS NEEDED:** TORX T25<sup>+</sup> screwdriver and a #2 Phillips screwdriver



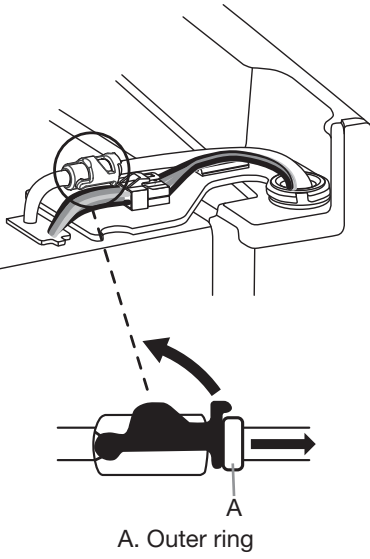
### ⚠ WARNING

#### Electrical Shock Hazard

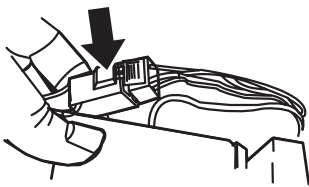
Disconnect power before removing doors.

Failure to do so can result in death or electrical shock.

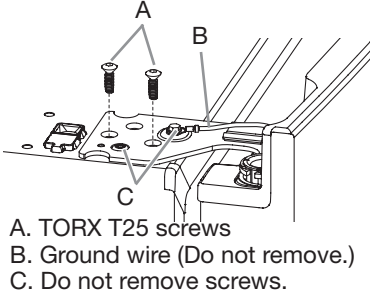
#### Water Dispenser Tubing Connection



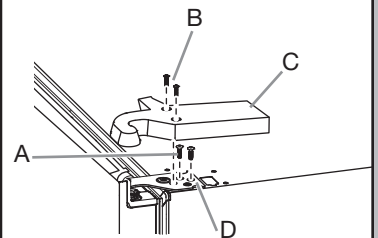
#### Wiring Plug



#### Top Left Hinge

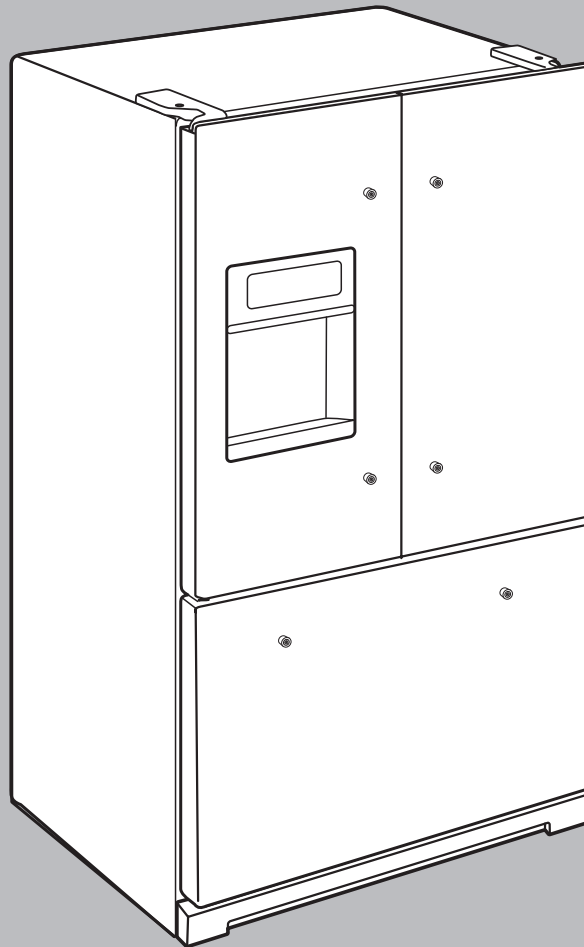
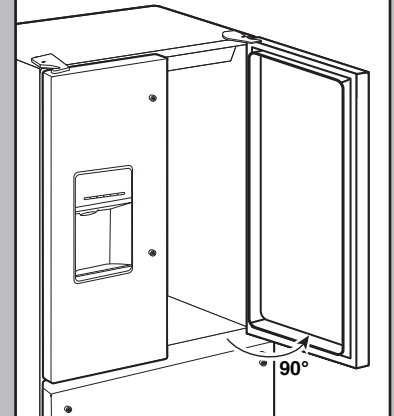


#### Top Right Hinge



- A. TORX T25 screws
- B. Hinge cover screw
- C. Top hinge cover
- D. Top hinge

#### Door at 90° Angle to Cabinet°



## ⚠ WARNING

### Excessive Weight Hazard

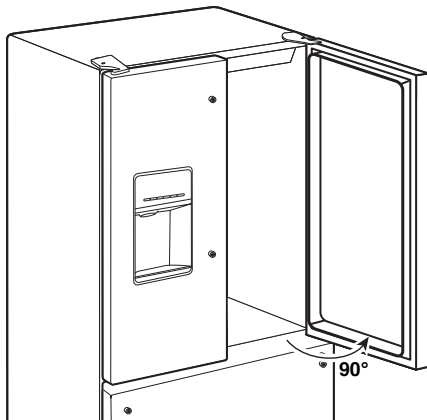
Use two or more people to move and install refrigerator.

Failure to do so can result in back or other injury.

### Bottom Door Hinge

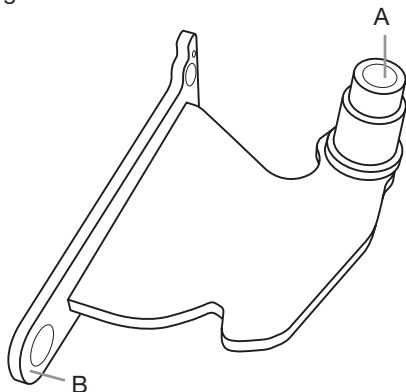
For your convenience, the refrigerator doors have bottom hinges with door closers. These closers allow the doors to swing fully closed with just a gentle push.

**IMPORTANT:** So that the closers feature will operate properly, the doors must be removed only when open to a 90° angle to the front of the cabinet. If one or both doors were not at a 90° angle when removed, the bottom door hinge must be reset.



### Reset the Door Hinge

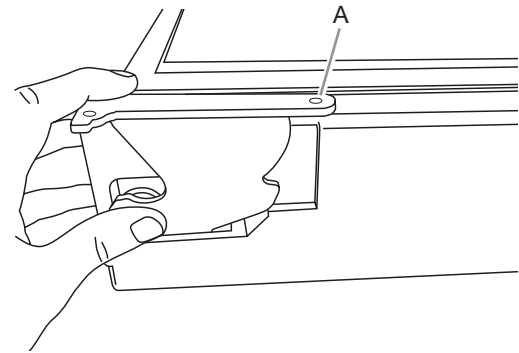
1. Lift the door from the bottom hinge pin, and place it on a flat surface.
2. Using a TORX T25 screwdriver, remove the bottom hinge with the bushing from the cabinet.



A. Bushing  
B. Hinge base

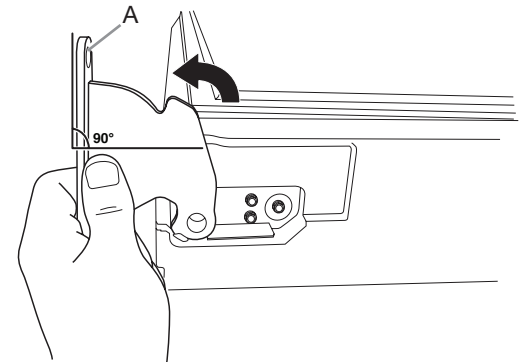
3. Insert the bottom hinge and bushing into the corresponding slot in the bottom of the door.

**NOTE:** Make sure that the base of the hinge is parallel to the bottom of the door.



A. Hinge base parallel to the bottom edge of the door

4. Turn the hinge until the hinge base is at a 90° angle to the bottom edge of the door.



A. Hinge base turned to a 90° angle with the bottom edge of the door

5. Remove the hinge from the door. Using a TORX T25 screwdriver, reattach the bottom hinge to the refrigerator cabinet.
6. The hinge is now reset and prepared for the door to be replaced. See "Replace Refrigerator Doors" later in this section.

### Remove Refrigerator Doors

## ⚠ WARNING



### Electrical Shock Hazard

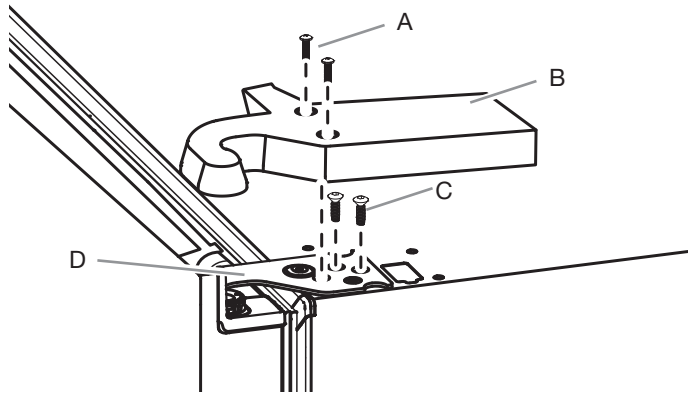
Disconnect power before removing doors.

Failure to do so can result in death or electrical shock.

### Remove Right-Hand Door

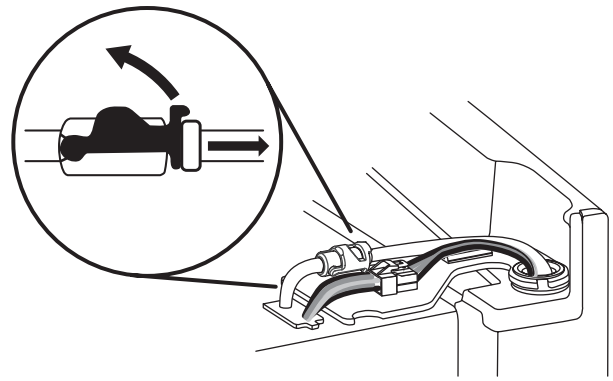
1. Unplug refrigerator or disconnect power.
2. Keep the refrigerator doors closed until you are ready to lift them free from the cabinet.  
**NOTE:** Provide additional support for the refrigerator door while the hinges are being removed. Do not depend on the door gasket magnets to hold the door in place while you are working.
3. Using a Phillips screwdriver, remove the cover from the top hinge.

- Using the TORX T25 screwdriver, remove the 2 screws from the top hinge and set aside.



A. Top hinge cover screw  
B. Top hinge cover

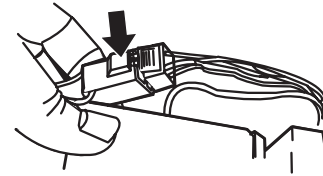
C. TORX T25 screws  
D. Top hinge



- Disconnect the wiring plug located on top of the door hinge.

- Grasp each side of the wiring plug. With your left thumb, press down to release the catch and pull the sections of the plug apart.

**NOTE:** Do not remove the green ground wire. It should remain attached to the door hinge.



- Using the TORX T25 screwdriver, remove the 2 internal screws from the top hinge and set aside.

**NOTES:**

- Provide additional support for the refrigerator door while the hinges are being removed. Do not depend on the door gasket magnets to hold the door in place while you are working.

**⚠ WARNING**

**Excessive Weight Hazard**

**Use two or more people to lift the refrigerator door.**

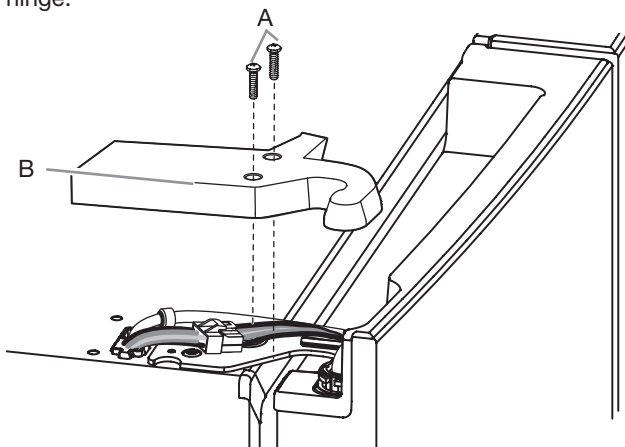
**Failure to do so can result in back or other injury.**

- Open the door until it is at a 90° angle to the front of the cabinet.
- Lift the refrigerator door from the bottom hinge pin. The top hinge will come away with the door.

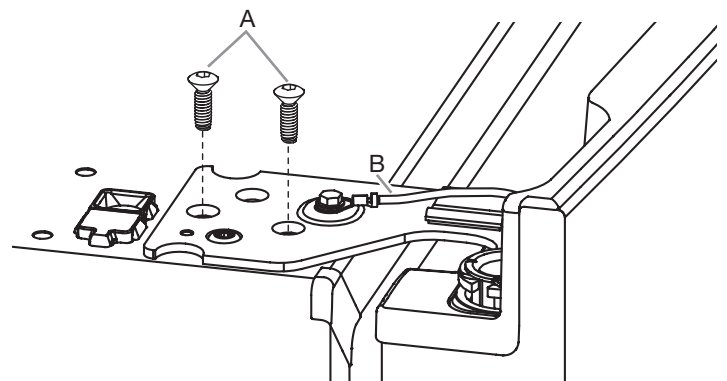
**Remove Left-Hand Door**

**IMPORTANT:** The tubing and wiring for the water dispenser run through the left-hand door hinge, so they must be disconnected before removing the door.

- Using a flat head screwdriver, remove the cover from the top hinge.



A. Top hinge cover screw      B. Top hinge cover



A. TORX T25 screws  
B. Ground wire (Do not remove.)

- Disconnect the water dispenser tubing located on top of the door hinge. Firmly pull up on the clasp. Then, pull the tubing out of the fitting.

**NOTE:** The water dispenser tubing remains attached to the left-hand refrigerator door.

- Lift the refrigerator door from the bottom hinge pin. The top hinge will come away with the door.

**NOTE:** It may not be necessary to remove the bottom hinges and brake feet assemblies to move the refrigerator through a doorway.

- Only if necessary, use a TORX T25 screwdriver to remove the bottom hinges and brake feet screws.

---

### Replace Right-Hand Refrigerator Door

---

1. Set the right-hand door onto the bottom hinge pin.
2. Insert the top hinge pin into the open hole in the top of the refrigerator door.
3. Using the 3 TORX T25 screws, fasten the hinge to the cabinet. Do not tighten the screws completely.

---

### Replace Left-Hand Refrigerator Door

---

**IMPORTANT:** Do not intertwine the water tubing and wiring bundles when reconnecting them.

1. Set the left-hand door onto the bottom hinge pin.
2. Using the 3 TORX T25 screws, fasten the hinge to the cabinet. Do not tighten the screws completely.
3. Reconnect the water dispenser tubing.

Insert the tubing firmly into the fitting until it stops. Close the clasp around the tubing. The clasp snaps into place between the fitting and the collar. Connect blue female side with blue male side and clasp. Repeat with gray female and gray male side.

4. Reconnect the electrical wiring.
  - Push together the 2 sections of the wiring plug.

---

### Final Steps

---

1. Completely tighten the 6 internal TORX T25 screws (3 on the right-hand door hinge and 3 on the left-hand door hinge).
2. Replace both top hinge covers.

---

## Remove and Replace Freezer Drawer Fronts

---

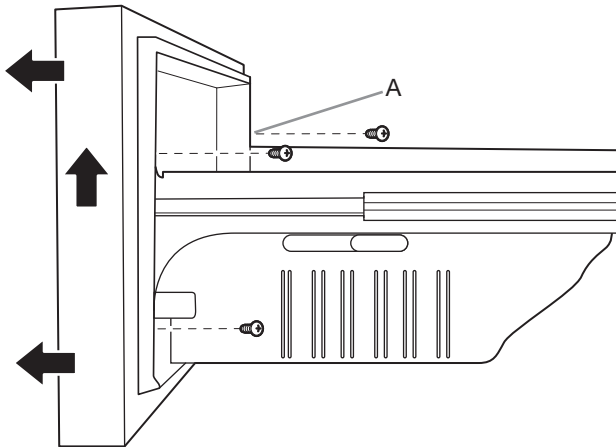
---

### Freezer Drawer

---

#### Remove Drawer Front

1. Open the freezer drawer to its full extension.
2. Loosen the 2 top screws that fasten the drawer front to the drawer glides. The 2 screws (1 on the left-hand side and 1 on the right-hand side) are located inside the drawer front.
3. Remove the 2 screws at the bottom, inside the drawer front that fasten the drawer front to the drawer glides.
4. Lift up on the drawer front to release the screws from the drawer glide bracket slot.



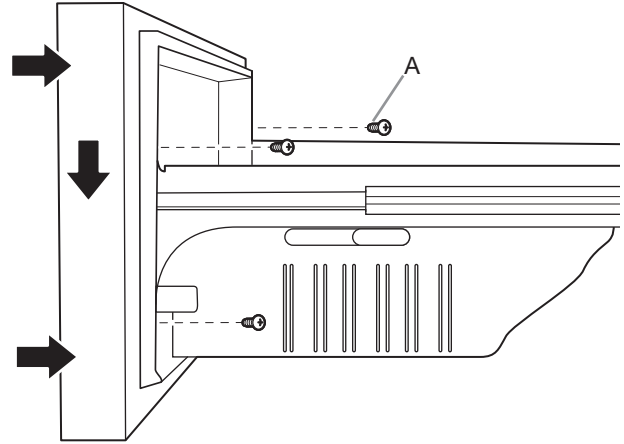
A. Drawer glide bracket slots

---

### Replace Drawer Front

1. Pull out the freezer drawer glides to their full extension.
2. Holding the drawer front by its sides, align the top screws, located at the bottom inside the drawer front, with the drawer glide bracket slots.

**NOTE:** It helps if one person holds the drawer glides steady while another person aligns the drawer front and inserts the studs into the slots.



A. Drawer front screw

3. Tighten the 2 screws at the top of the drawer front (1 on the left-hand side and 1 on the right-hand side) and install the 2 screws on the bottom.

---

### Final Steps

---

## ⚠ WARNING



### Electrical Shock Hazard

**Plug into a grounded 3 prong outlet.**

**Do not remove ground prong.**

**Do not use an adapter.**

**Do not use an extension cord.**

**Failure to follow these instructions can result in death, fire, or electrical shock.**

1. Plug into a grounded 3 prong outlet.
2. Reset the controls. See the "Using the Controls" section.
3. Return all removable parts and food to the drawers.

## Electrical Requirements

### **⚠ WARNING**



#### Electrical Shock Hazard

**Plug into a grounded 3 prong outlet.**

**Do not remove ground prong.**

**Do not use an adapter.**

**Do not use an extension cord.**

**Failure to follow these instructions can result in death, fire, or electrical shock.**

Before you move your refrigerator into its final location, it is important to make sure you have the proper electrical connection.

#### Recommended Grounding Method

A 115 Volt, 60 Hz, AC only 15 or 20 A fused, grounded electrical supply is required. It is recommended that a separate circuit serving only your refrigerator and approved accessories be provided. Use an outlet that cannot be turned off by a switch. Do not use an extension cord.

If the supply cord is damaged, it must be replaced by the manufacturer or its service agent or a similarly qualified person. Do not use a cord that shows cracks or abrasion damage along its length or at either the plug or connector end.

**IMPORTANT:** If this product is connected to a GFCI (Ground Fault Circuit Interrupter) protected outlet, nuisance tripping of the power supply may occur, resulting in loss of cooling. Food quality and flavor may be affected. If nuisance tripping has occurred, and if the condition of the food appears poor, dispose of the food.

**NOTE:** Before performing any type of installation or cleaning, turn off cooling, and then disconnect the refrigerator from the electrical source. When you have finished, reconnect the refrigerator to the electrical source and turn on cooling. See the “Using the Controls” section.

## Water Supply Requirements

A cold water supply with water pressure between 30 and 120 psi (207 and 827 kPa) is required to operate the water dispenser and ice maker.

**NOTE:** If the water pressure is less than what is required, the flow of water from the water dispenser could decrease or ice cubes could be hollow or irregular shaped. If you have questions about your water pressure, call a licensed, qualified plumber.

#### Reverse Osmosis Water Supply

**IMPORTANT:** The pressure of the water supply coming out of a reverse osmosis system and supplying the water inlet valve of the refrigerator needs to be between 35 and 120 psi (241 and 827 kPa).

If a reverse osmosis water filtration system is connected to your home cold water supply, the water pressure to the reverse osmosis system needs to be a minimum of 40 to 60 psi (276 to 414 kPa).

- Check to see whether the sediment filter in the reverse osmosis system is blocked. Replace the filter if necessary.

- Allow the storage tank on the reverse osmosis system to refill after heavy use. The tank capacity could be too small to keep up with the requirements of the refrigerator.

**NOTE:** Faucet-mounted reverse osmosis systems are not recommended.

- If your refrigerator has a water filter, it may further reduce the water pressure when used in conjunction with a reverse osmosis system. Remove the water filter. See the “Water Filtration System” section.

If you have questions about your water pressure, call a licensed, qualified plumber.

## Connect the Water Supply

Read all directions before you begin.

#### IMPORTANT:

- Connect to potable water supply only.

Do not use with water that is microbiologically unsafe or of unknown quality without adequate disinfection before or after the system. Systems certified for cyst reduction may be used on disinfected waters that may contain filterable cysts.

- Plumbing must be installed in accordance with the International Plumbing Code and any local codes and ordinances.
- Copper and PEX tubing connections from the household water line to the refrigerator are acceptable and will help avoid off-taste or odor in your ice or water. Check for leaks. If PEX tubing is used instead of copper, we recommend the following Part Numbers: W10505928RP (7 ft [2.14 m] jacketed PEX), 8212547RP (5 ft [1.52 m] PEX), or W10267701RP (25 ft [7.62 m] PEX).
- Install tubing only in areas where temperatures will remain above freezing.

#### Tools Needed:

Gather the required tools and parts before starting installation.

- Flat-blade screwdriver
- 7/16" and 1/2" open-end wrenches or two adjustable wrenches
- 1/4" nut driver

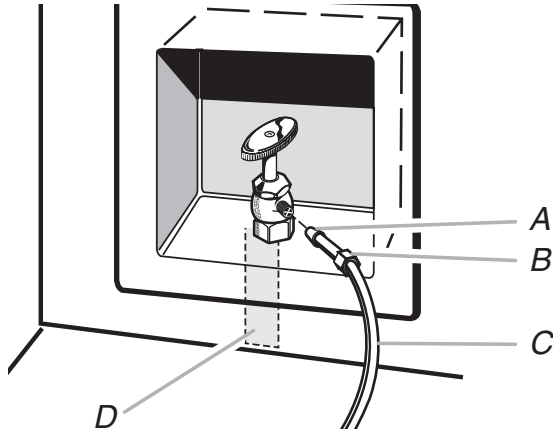
**NOTE:** Do not use a piercing-type or 3/16" (4.76 mm) saddle valve which reduces water flow and clogs easier.

## Connect to Water Line

**IMPORTANT:** If you have turned the refrigerator on before the water was connected, turn off the ice maker.

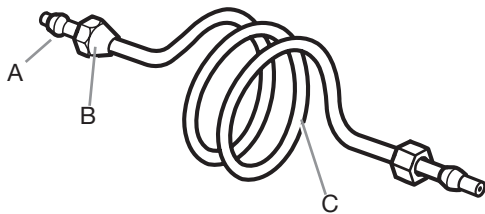
1. Unplug refrigerator or disconnect power.
2. Turn off main water supply. Turn on nearest faucet long enough to reduce water pressure in the water line.
3. Use a quarter-turn shut-off valve or the equivalent, served by a 1/2" household supply line.

**NOTE:** To allow sufficient water flow to the refrigerator, a minimum 1/2" (12.7 mm) size household supply line is recommended.



A. Sleeve B. Nut C. Copper tubing (to refrigerator)  
D. Household supply line (1/2" minimum)

4. Now you are ready to connect the copper tubing to the shut-off valve. Use 1/4" (6.35 mm) O.D. (outside diameter) soft copper tubing to connect the shut-off valve and the refrigerator.
  - Ensure that you have the proper length needed for the job. Be sure both ends of the copper tubing are cut square.
  - Slip compression sleeve and compression nut onto copper tubing as shown. Insert end of tubing into outlet end squarely as far as it will go. Screw compression nut onto outlet end with adjustable wrench. Do not overtighten.



A. Compression sleeve B. Compression nut C. Copper tubing

5. Place the free end of the tubing into a container or sink and turn on main water supply to flush out tubing until water is clear. Turn off shut-off valve on the water pipe.

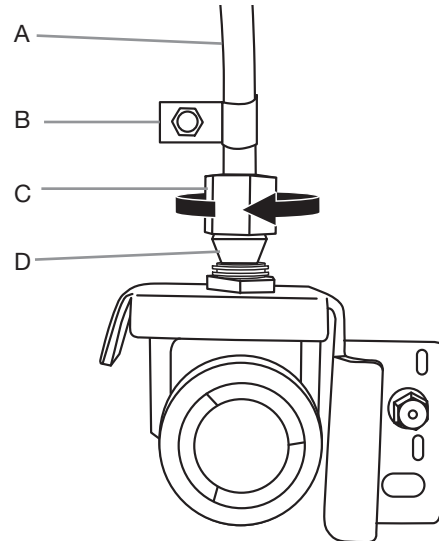
**NOTE:** Always drain the water line before making the final connection to the inlet of the water valve to avoid possible water valve malfunction.

6. Bend the copper tubing to meet the water line inlet which is located on the back of the refrigerator cabinet as shown. Leave a coil of copper tubing to allow the refrigerator to be pulled out of the cabinet or away from the wall for service.

## Connect to Refrigerator

Follow the connection instructions specific to your model.

1. Remove plastic cap from water valve inlet port. Attach the copper tubing to the valve inlet using a compression nut and sleeve as shown. Tighten the compression nut. Do not overtighten. Confirm copper tubing is secure by pulling on copper tubing.
2. Create a service loop with the copper tubing. Avoid kinks when coiling the copper tubing. Secure copper tubing to refrigerator cabinet with a "P" clamp.



A. Copper tubing B. "P" clamp C. Compression nut D. Compression sleeve

3. Turn on water supply to refrigerator and check for leaks. Correct any leaks.
4. If ice is desired, turn on the ice maker.

## Complete the Installation

### ⚠ WARNING



#### Electrical Shock Hazard

**Plug into a grounded 3 prong outlet.**

**Do not remove ground prong.**

**Do not use an adapter.**

**Do not use an extension cord.**

**Failure to follow these instructions can result in death, fire, or electrical shock.**

1. Plug into a grounded 3 prong outlet.
2. Flush the water system. See the "Water and Ice Dispensers" section.

**NOTE:** Allow 24 hours to produce the first batch of ice. Discard the first 3 batches of ice produced. Allow 3 days to completely fill the ice storage bin.



## Handle Installation and Removal

**Parts Included:** refrigerator door handles (2), freezer drawer handle (1), 1/8" hex key, spare setscrew(s)

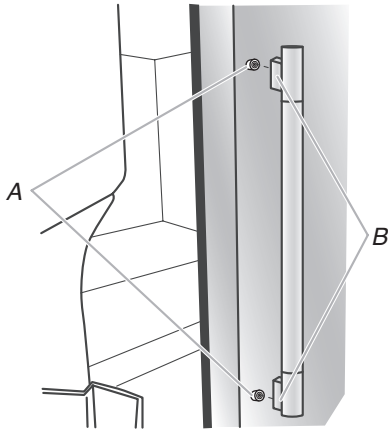
**NOTE:** The freezer drawer handle is shorter than the refrigerator door handles. Handle style may vary by model.

### Install Handles

#### Refrigerator Doors

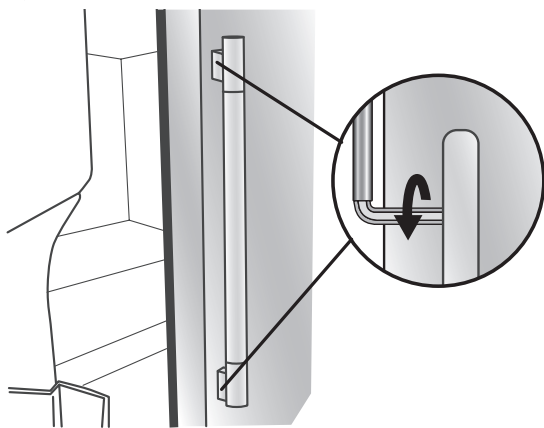
**NOTE:** Handle mounting setscrews are preinstalled inside the handle.

1. Remove the handles from the packaging inside the refrigerator and place them on a soft surface.
2. Open a refrigerator compartment door. On the closed door, place a handle onto the shoulder screws so that the setscrews are facing the adjacent door.



A. Shoulder screws  
B. Setscrews inside the handle

3. Firmly push the handle toward the door until the handle base is flush against the door.
4. While holding the handle, insert the short end of the hex key into the upper hole and slightly rotate the hex key until key is engaged in the setscrew.



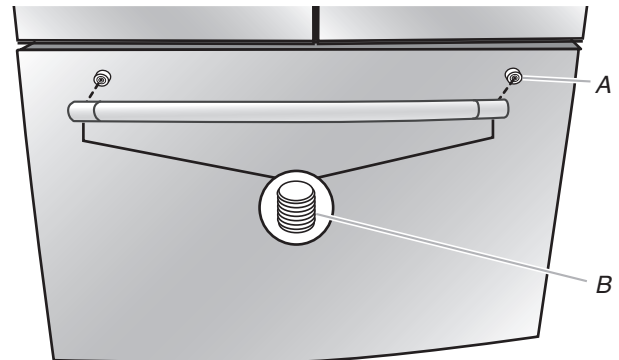
5. Using a clockwise motion, tighten the setscrew just until setscrew begins to contact the shoulder screw. Do not fully tighten.
6. Repeat steps 4 and 5 to fasten the lower setscrew.
7. Once both setscrews have been partially tightened as instructed in the previous steps, fully tighten both setscrews.

**IMPORTANT:** When the screws feel tight, tighten them an additional quarter turn. The handle is not properly installed without this extra tightening.

8. Repeat steps 2 through 7 to install the other handle onto the adjacent refrigerator door.

#### Freezer Drawer

1. With the drawer closed, place the handle onto the shoulder screws so that the setscrews are facing down toward the floor.



A. Shoulder screw  
B. Setscrews inside the handle

2. Firmly push the handle toward the drawer until the handle base is flush against the drawer.
3. Insert the short end of the hex key into the left-hand hole and slightly rotate the hex key until key is engaged in the setscrew.



4. Using a left-to-right motion, tighten the setscrew a quarter turn at a time just until setscrew begins to contact the shoulder screw. Do not fully tighten.
  5. Repeat steps 3 and 4 to fasten the right-hand setscrew to the shoulder screw.
  6. Once both setscrews have been partially tightened as instructed in the previous steps, fully tighten both setscrews.
- IMPORTANT:** When the screws feel tight, tighten them an additional quarter turn. The handle is not properly installed without this extra tightening.
7. Save the hex key and all instructions.

### Remove the Handles

1. While holding the handle, insert the short end of the hex key into a setscrew hole and slightly rotate the hex key until it is engaged in the setscrew.
2. Using a right-to-left motion, loosen the setscrew a quarter turn at a time.
3. Repeat steps 1 and 2 for the other setscrew. Slowly pull the handle away from the door or drawer.
4. If necessary, use a Phillips screwdriver to remove the shoulder screws from the door.

## Refrigerator Leveling and Door Closing

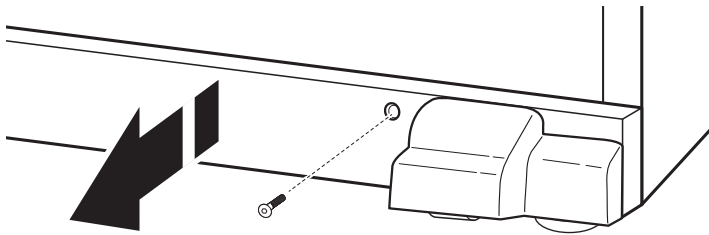
The base grille covers the adjustable brake feet and roller assemblies located at the bottom of the refrigerator below the freezer drawer. Before making any adjustments, remove the base grille and move the refrigerator to its final location.

**Tools Needed:** 1/4" hex driver

**Tools Provided:** 1/8" hex-key

1. Use a 1/4" hex driver to remove both screws in base grille.
2. Remove the base grille. Using both hands, grasp the grille firmly and pull it toward you. Open the freezer drawer to access the brake feet.

**NOTE:** To allow the refrigerator to roll easier, raise the brake feet by turning them counterclockwise. The front rollers will be touching the floor.



3. Move the refrigerator to its final location.
  4. Using the 1/4" hex driver, lower the brake feet. Turn them clockwise until the rollers are off the floor and both brake feet are snug against the floor. This keeps the refrigerator from rolling forward when opening the refrigerator doors or freezer drawer.
- IMPORTANT:** If you need to make further adjustments involving the brake feet, you must turn both brake feet the same amount to keep the refrigerator level.
5. Use a level to make sure the refrigerator is level from side to side and front to back.
  6. Make sure the doors are even at the top and that the space between the bottom of the refrigerator doors and the top of the freezer drawer is even. If necessary, align the doors.

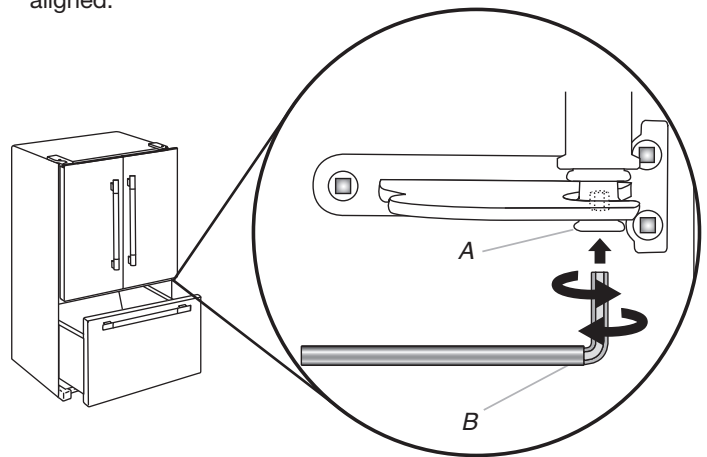
### To Align the Doors:

- Keeping both refrigerator doors closed, pull out the freezer drawer. Locate the bottom hinge pin of the right-hand refrigerator door. The alignment screw is inside the bottom hinge pin.
- Insert the short end of the 1/8" hex-key wrench (packed with the Door Handle Installation Instructions) into the bottom hinge pin until it is fully engaged in the alignment screw.

To raise the refrigerator door, turn the hex key to the right.

To lower the door, turn the hex key to the left.

- Continue to turn the alignment screw until the doors are aligned.



A. Bottom hinge pin  
B. 1/8"hex-key wrench

7. Make sure the refrigerator is steady. If the refrigerator seems unsteady or rolls forward when a door or drawer is pulled open, adjust the brake feet.

### To Steady the Refrigerator:

- Open the freezer drawer. Using a 1/4" hex driver, turn both brake feet clockwise the same amount until the brake feet are snug against the floor. Check again. If not satisfied, continue to adjust the brake feet by half turns of the screw until the refrigerator does not roll forward when the drawer is opened.

**NOTE:** Having someone push against the top of the refrigerator takes some weight off the brake feet. This makes it easier to turn the screws. Do not push with excessive force that tilts the refrigerator.

8. Replace the base grille by aligning the ends of the grille with the leveling assemblies on each side and snapping the grille into place. Use a 1/4" hex driver to reinstall screws.

## FILTERS AND ACCESSORIES

### Water Filtration System

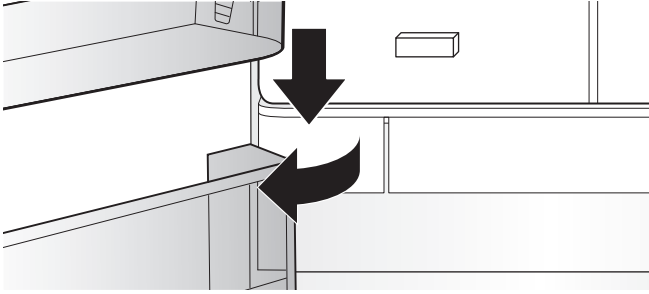
Do not use with water that is microbiologically unsafe or of unknown quality without adequate disinfection before or after the system. Systems certified for cyst reduction may be used on disinfected waters that may contain filterable cysts.

### Replace and Install the Water Filter

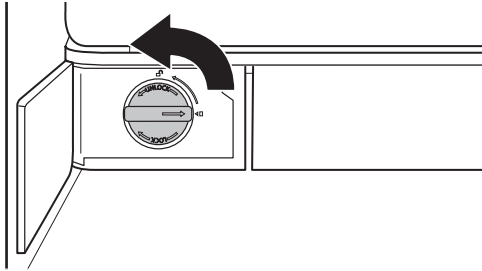
The water filter should be replaced every 6 months based on a flow rate of .50 gpm-.60 gpm (1.89-2.27 lpm) that filters 200 gallons (757 L) of water.

To order a replacement filter, contact us. See the "Accessories" section in the Use and Care Guide for information on ordering.

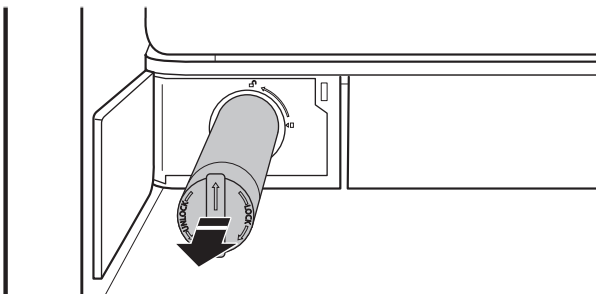
1. Push the water filter door to open, located bottom left of refrigerator compartment.



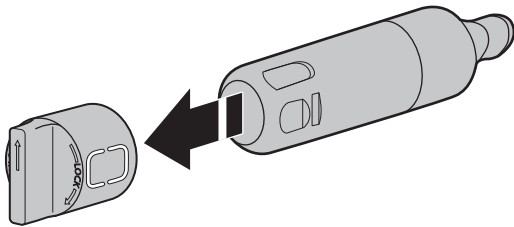
2. Twist the water filter and turn 90° counterclockwise to unlock.



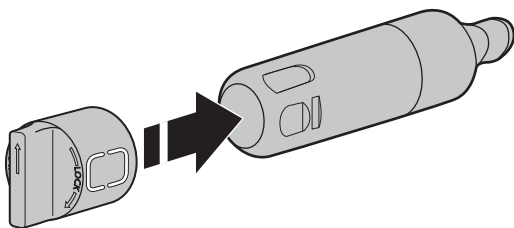
3. Pull the filter out of the housing.



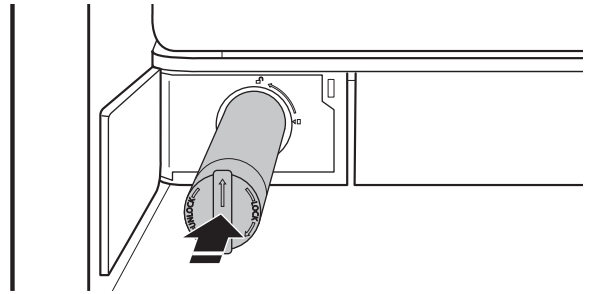
4. Remove the water filter cap from the water filter being replaced.



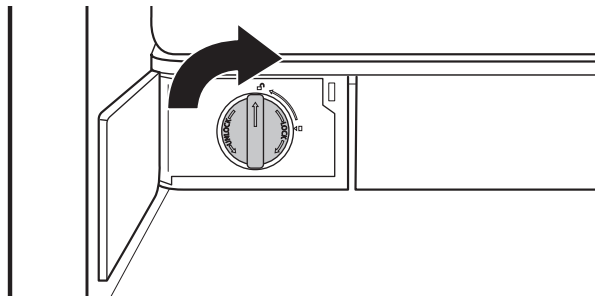
5. Install the water filter cap onto the new filter. Be sure to align the arrows so the grooves in filter align with ribs in filter cap.



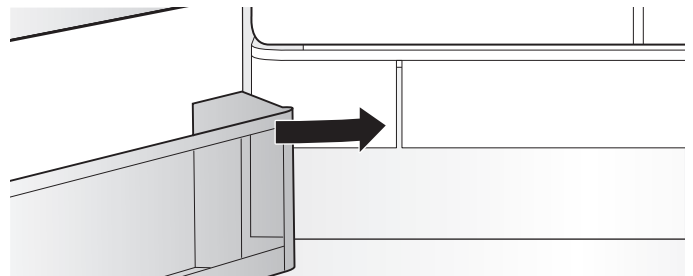
6. Insert the filter into the housing.



7. Twist the water filter and turn 90° clockwise until it locks into place and the arrows are aligned.



8. Push the water filter door closed.



### The Water Filter Status Lights

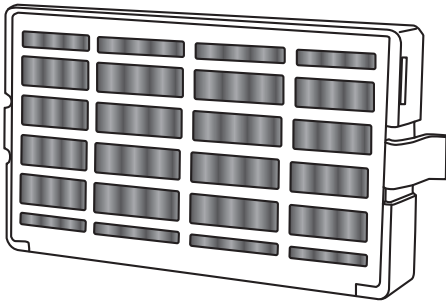
The Water Filter status lights will help you know when to change your water filter. The app will also send notifications to your mobile device and tell you the status of the JennAir app for the filter life.

- **ORDER FILTER** (yellow) - It is almost time to change the water filter. "Order Filter" display is ON all of the time but OFF in Showroom mode and Sabbath mode.
- **REPLACE FILTER** (red) - Replace the water filter. While you are dispensing water, "Replace Filter" will blink 7 times and an alert tone will sound 3 times.  
**NOTE:** "REPLACE FILTER" will remain illuminated if the filter is not reset on the user interface (UI).
- **RESET FILTER** - Touch MAX COOL and MAX ICE for 3 seconds to reset water filter. The display will do a 3-second countdown, then flash the icon and play a tone.

## Install FreshFlow™ Air Filter

An air filter is 15 times more powerful than baking soda at reducing common food odors inside the refrigerator.

On some models, your refrigerator's accessory packet includes an air filter which must be installed prior to use.



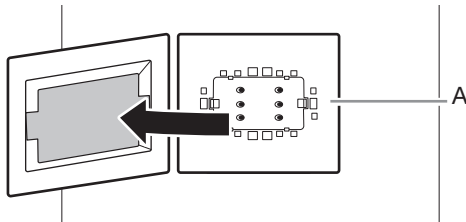
### Installing the FreshFlow™ Air Filter

Install the air filter behind the vent cover, located on the rear wall near the middle of the refrigerator.

1. Remove the air filter from its packaging.
2. Pull out plastic cover over the vented cover.

**NOTE:** When cover is removed for the first time, a small foam part the size of the filter will need to be removed and discarded.

3. Snap filter into place, close cover.



A. Air filter

### Replacing the FreshFlow™ Air Filter

The disposable air filter should be replaced every 6 months. Some air filters have an indicator that replacement is needed.

To order a replacement air filter, contact us. See the "Accessories" section in the Use and Care Guide for information on ordering.

1. Open cover and remove the used air filter by squeezing in on the side tabs.
2. Install the new air filter using the instructions in the previous sections.

## Install Produce Preserver (on some models)

The produce preserver absorbs ethylene to slow the ripening process of many produce items. As a result, certain produce items will stay fresh longer.

Ethylene production and sensitivity varies, depending on the type of fruit or vegetable. To preserve freshness, it is best to separate produce with sensitivity to ethylene from fruits that produce moderate-to-high amounts of ethylene.

	Sensitivity to Ethylene	Ethylene Production
Apples	High	Very High
Asparagus	Medium	Very Low
Berries	Low	Low
Broccoli	High	Very Low
Cantaloupe	Medium	High
Carrots	Low	Very Low
Citrus Fruit	Medium	Very Low
Grapes	Low	Very Low
Lettuce	High	Very Low
Pears	High	Very High
Spinach	High	Very Low

### Installing the Produce Preserver

For your convenience, the suction-mounted produce preserver can be installed in either the crisper or the refrigerated drawers.

#### CAUTION: IRRITANT

MAY IRRITATE EYES AND SKIN. DANGEROUS FUMES FORM WHEN MIXED WITH OTHER PRODUCTS.

Do not mix with cleaning products containing ammonia, bleach or acids. Do not get in eyes, on skin or clothing. Do not breathe dust. Keep out of reach of children.

**FIRST AID TREATMENT:** Contains potassium permanganate. If swallowed, call a Poison Control Center or doctor immediately. Do not induce vomiting. If in eyes, rinse with water for 15 minutes. If on skin, rinse with water.

1. Wash the interior of a drawer with a solution of mild dish soap and warm water and dry thoroughly.
2. Find the package containing the Produce Preserver inside the refrigerator and install the Produce Preserver into the drawer, according to the instructions provided in the package.

### Replacing the Produce Preserver

The disposable packet(s) should be replaced every 6 months or when the status indicator changes completely from white to red.

To order replacements, contact us. See the "Accessories" section for information on ordering.

1. Remove the used packets from the produce preserver housing.
2. Remove the used status indicator.
3. Install the replacement packets and status indicator using the instructions included in the package.

---

## Accessories

The following accessories are available for your refrigerator.  
To order an accessory, contact us and ask for the part number.

In the U.S.A., visit our website [www.jennair.com/accessories](http://www.jennair.com/accessories)  
or call **1-800-JENNAIR (1-800-536-6247)**.

In Canada, visit our webpage [www.jennair.ca](http://www.jennair.ca) or call  
**1-800-JENNAIR (1-800-536-6247)**.

**Affresh® Stainless Steel Cleaner:**

In U.S.A., order Part #W10355016

In Canada, order Part #W10355016B

**Affresh® Stainless Steel Wipes:**

In U.S.A., order Part #W10355049

In Canada, order Part #W10355049B

**Affresh® Kitchen & Appliance Cleaner:**

In U.S.A., order Part #W10355010

In Canada, order Part #W10355010B

**Water Filter:**

In U.S.A., order Part #EDR2RXD1

In Canada, order Part #EDR2RXD1B

**Air Filter:**

Order Part #W10311524 or AIR1

**Produce Preserver Starter kit:**

Order Part #P1KL6S1CS

**Produce Preserver Refill kit:**

Order Part #P1KC6R1

**Herb Tender™ Container:**

Order Part #W10882409

---

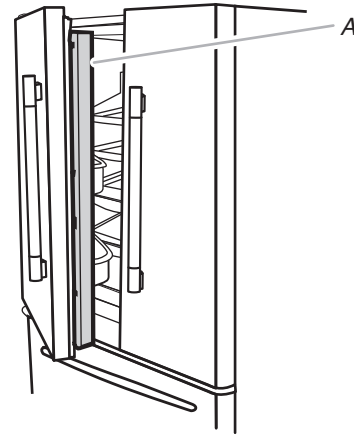
## REFRIGERATOR USE

---

### Opening and Closing Doors

There are 2 refrigerator compartment doors. The doors can be opened and closed either separately or together. There is a vertically hinged seal on the left refrigerator door.

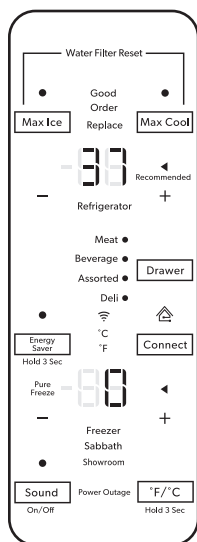
- When the left-side door is opened, the hinged seal automatically folds inward so that it is out of the way.
- When both doors are closed, the hinged seal automatically forms a seal between the 2 doors.



A. Hinged seal

## Using the Controls

The touch-activated controls are located above the external dispenser and on the side of the left inner refrigerator door.



### View Temperature Set Points

1. Touch [+]/[-] for refrigerator or [+]/[-] for freezer toggle through temperature set points.

**NOTE:** To view temperature in degrees Celsius, touch and hold the [°F/°C] button for 3 seconds and the temperature display will change. To return to Fahrenheit, touch and hold [°F/°C] for 3 seconds and the temperature display will change.

To activate Temperature mode for Pantry Drawer, touch DRAWER and toggle through 4 optional temperature settings: Meat, Beverage, Assorted, and Deli. The display will show the temperature set point of the selected setting for the Pantry Drawer.

#### Recommended Refrigerator Temperature



#### Recommended Freezer Temperature



### Viewing and Adjusting Temperature Set Points

For your convenience, your refrigerator and freezer controls are preset at the factory.

When you first install your refrigerator, make sure that the controls are still set to the recommended set points. The factory recommended set points are 37°F (3°C) for the refrigerator and 0°F (-18°C) for the freezer.

#### IMPORTANT:

- Wait 24 hours before you put food into the refrigerator. If you add food before the refrigerator has cooled completely, your food may spoil.  
**NOTE:** Adjusting the set points to a colder-than-recommended setting will not cool the compartments any faster.
- If the temperature is too warm or too cold in the refrigerator or freezer, first check the air vents to be sure they are not blocked before adjusting the controls.
- The recommended settings should be correct for normal household use. The controls are set correctly when milk or juice is as cold as you like and when ice cream is firm.  
**NOTE:** Areas such as a garage, basement, or porch may have higher humidity or extreme temperatures. You may need to adjust the temperature away from the recommended settings to accommodate for these conditions.
- Wait at least 24 hours between adjustments. Recheck the temperatures before other adjustments are made.

### Adjust Temperature Set Points

Refrigerator set point range: 33°F to 45°F (1°C to 7°C)  
Freezer set point range: -6°F to 5°F (-22°C to -15°C)

1. Touch [+]/[-] to adjust the Refrigerator zone. The display will show the temperature set point of the selected compartment as shown.
2. When the temperature is in the range of Pure Freeze®, the display will light up. Pure Freeze® is active at the coldest freezer set point.

When adjusting temperature set points, use the following chart as a guide:

CONDITION:	TEMPERATURE ADJUSTMENT:
REFRIGERATOR too cold	REFRIGERATOR setting 1° higher
REFRIGERATOR too warm	REFRIGERATOR setting 1° lower
FREEZER too cold	FREEZER setting 1° higher
FREEZER too warm/ Too little ice	FREEZER setting 1° lower

---

## Max Cool

---

The Max Cool feature assists with periods of high refrigerator use, full grocery loads, or temporarily warm room temperatures.

- To turn on the Max Cool feature, press the Max Cool button. When the button is pressed, the icon will blink 3 times, and appear on the display screen.
- To manually turn off the Max Cool feature, press the Max Cool button and the display will blink 3 times and turn off. The Max Cool feature will remain on for 24 hours unless manually turned off. Adjusting the refrigerator temperature will automatically turn off the Max Cool feature.

**NOTE:** Setting the freezer to a colder temperature may make some foods, such as ice cream, harder.

---

## Max Ice

---

The Max Ice feature assists with increasing the cooling for the freezer compartment in order to increase ice production.

- To turn on or off the Max Ice feature, press the Max Ice button. When the button is pressed to turn the feature on, the icon will blink 3 times, and appear on the display screen.
- To manually turn off the Max Ice feature, press the Max Ice button and the display will blink 3 times and turn off. The Max Ice feature will remain on for 24 hours unless manually turned off. Adjusting the refrigerator temperature will automatically turn off the Max Ice feature.

**NOTE:** Setting the freezer to a colder temperature may make some foods, such as ice cream, harder.

---

## Water Filter Reset

---

Displays the status of the water filter. To reset the filter, press MAX ICE and MAX COOL for 3 seconds. After countdown, the Good icon will blink 3 times and remain lit.

**NOTE:** The Water Filter status lights on the internal controls will let you know when to change your water filter.

- ORDER FILTER (Yellow) - Order a replacement water filter.
- REPLACE FILTER (Red) - Replace the water filter. While you are dispensing water, "Replace" Filter icon will flash constantly from beginning to the end of dispensing. After 14 days without replacing the water filter, the "Replace" Filter icon will blink 7 times and an alert tone will sound 3 times at the end of dispensing. See the "Water Filtration System" section.

**NOTE:** REPLACE FILTER will remain illuminated if a filter reset is not done.

- RESET FILTER - Touch MAX ICE and MAX COOL at the same time on the Temperature Control display for 3 seconds to reset water filter. The display will do a 3-second countdown and then flash the icon and play a tone.

## Filter Status

The JennAir app will send an alert that displays the water filter status.

---

## Energy Saver Mode

---

A selectable feature that turns off the heaters around the refrigerator doors and dispenser. When this feature is enabled, condensation may form on the front of the refrigerator cabinet, gasket, or on top of the freezer drawer. Savings may vary based on the relative humidity of environment.

- To turn the mullion heater off, press and hold the Energy Saver button for 3 seconds. The Energy Saver icon will blink 3 times and then remain lit as shown.

**IMPORTANT:** When Energy Saver is enabled and the LED is ON, the dispenser heater and vertical mullion heater will be turned off.

- Press and hold ENERGY SAVER for 3 seconds again to turn the heaters back on.
- 

---

## Pure Freeze® Mode

---

This feature minimizes moisture migration from frozen food. This in turn reduces the freezer burn occurrence.

To turn on the Pure Freeze® mode, toggle to the coldest freezer temperature set point.

To turn off the Pure Freeze® mode, toggle from the coldest freezer set point to any other temperature.

---

## Sound On/Off

---

The Sound button allows the customer to turn the sound on and off.

- To turn on the Sound feature, press the Sound button. When the button is pressed, the sound icon will blink 3 times and appear on the display screen.
  - To manually turn off the Sound feature, press the Sound button and the display will blink 3 times and turn off.
- 

## Power Outage

---

The Power Outage indicator lets you know if the power supply to the refrigerator has been off and the freezer temperature has risen.

The control panel display will read "Power Outage" and an alert tone will sound 3 times. Touch any button to stop the tone and touch any button again to turn off Power Outage icon.

Once the power outage has been confirmed, "Power Outage" icon will disappear and the display will return to the Home screen.

---

## Showroom Mode

---

This mode is used when the refrigerator is on display in a retail store or if you want to turn the cooling off and deactivate all other functions except interior lighting. Showroom mode can be used when going on vacation. See the "Vacation and Moving Care" section for proper steps on leaving your refrigerator in this mode for long periods of time.

If you turn on Showroom mode, the word "Showroom" will light up on the display. Enter or Exit Showroom mode by pressing and holding °F/°C and DRAWER at the same time for 3 seconds.

**NOTE:** Empty ice maker if refrigerator is going to be turned off for an extended period of time.

---

## Sabbath Mode

---

Allows the door of the refrigerator or freezer to be opened or closed during the Sabbath or other religious holidays without activating the interior lights or controls.

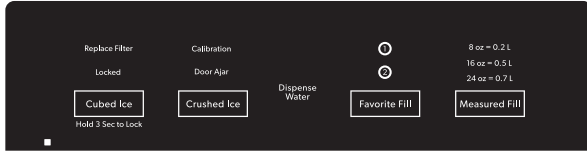
The freezer and refrigerator user set points remain unchanged while in this mode. If you unintentionally turn on Sabbath mode, the word "Sabbath" will light up on the display. Enter and exit Sabbath mode by pressing and holding °F/°C and SOUND at the same time for 3 seconds.

**NOTE:** You will be unable to dispense or change temperature set points in Sabbath mode. Your interior lighting and control panels will all be inactive in Sabbath mode.

---

## External Dispenser Controls

The control is located above the external dispenser of the refrigerator.



**IMPORTANT:** The display screen on the dispenser control panel will turn off automatically and enter “sleep” mode when the control buttons and dispenser paddles have not been used for 2 minutes or more. Touch any control button to reactivate the display screen. The Home screen will appear as shown.

### Additional Features

#### Door Ajar Alarm

The Door Ajar Alarm feature sounds an alarm when the refrigerator door(s) or freezer drawer is open for 5 minutes and cooling is turned on. The alarm will repeat every 2 minutes. Close all doors and drawer to turn it off.

**NOTE:** To mute the audible alarm while keeping the doors open, such as while cleaning the inside of the refrigerator, touch any button on the control panel. The alarm sound will be temporarily turned off, but the Door Ajar icon will still be displayed on the dispenser control panel.

## Lighting the Refrigerator

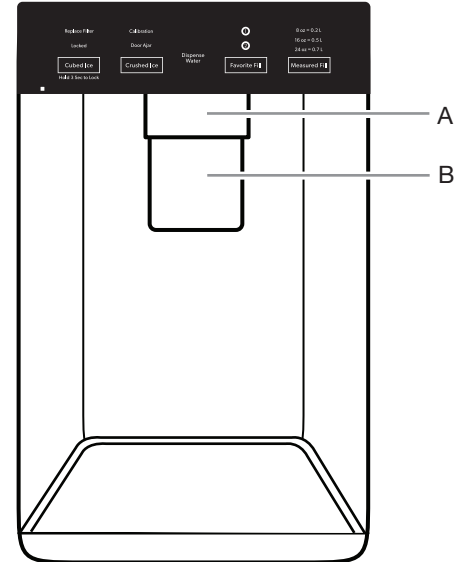
The refrigerator has an interior light that comes on any time the door is opened.

**NOTE:** The light is an LED which does not need to be replaced. If the LED does not illuminate when the door is opened, call Service to replace the light. See “Assistance or Service” in the “Warranty” section for contact information.

## Water and Ice Dispensers

### IMPORTANT:

- Allow 3 hours for the refrigerator to cool down and chill water.
- Allow 24 hours to produce the first batch of ice. Discard the first 3 batches of ice produced.
- The dispensing system will not operate if the left-hand refrigerator door is open.



A. Water dispenser paddle  
B. Ice dispenser paddle

### Flush the Water System

Air in the water dispensing system can cause the water dispenser to drip. After connecting the refrigerator to a water source or replacing the water filter, flush the water system.

Flushing the water dispensing system forces air from the water line and filter and prepares the water filter for use. Additional flushing may be required in some households.

**NOTE:** As air is cleared from the system, water may spurt out of the dispenser.

1. Using a sturdy container, depress and hold the water dispenser paddle for 5 seconds.
2. Release the dispenser paddle for 5 seconds. Repeat steps 1 and 2 until water begins to flow.
3. Once water begins to flow, continue depressing and releasing the dispenser pad (5 seconds on, 5 seconds off) until a total of 3 gal. (12 L) has been dispensed.



---

## Calibrate Measured Fill

---

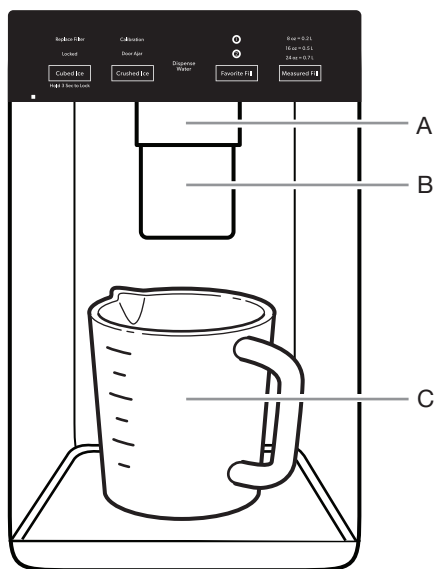
Household water pressure may affect the accuracy of the Measured Fill feature. So, for optimum performance of your water dispenser, you must first calibrate Measured Fill.

### IMPORTANT:

- Flush the water system before calibrating Measured Fill.
- For best results, calibration should be performed when water is not being used in the house.

1. Place a sturdy measuring cup (1-cup [237 mL] size) on the dispenser tray centered in front of the ice/water dispenser paddle.

**NOTE:** Depending on your model, a measuring cup may be provided.



A. Water dispenser paddle  
B. Ice dispenser paddle  
C. Measuring cup (1 cup)

Ensure that you do not have any Measured Fill preset selected.

2. Touch and hold the Measured Fill button for 3 seconds to enter into Calibration mode. The Calibration and Measured Fill icons will illuminate and remain lit while the Measured Fill feature is being calibrated.

**NOTE:** You may touch MEASURED FILL to exit at any time in Calibration mode. The Calibration and Measured Fill icons will disappear.

3. Press and hold the water dispenser paddle, as needed, to dispense water to the 1-cup fill line in the measuring cup.

**NOTE:** If overfilling or spilling occurs, discard the water and restart the calibration process.

4. When 1 cup of water has been correctly dispensed into the measuring cup, touch MEASURED FILL to confirm the calibration.
5. When Measured Fill calibration has been confirmed, the Calibration icon will disappear and the display will return to the home screen.

---

## Save Favorite Fill

---

Household water pressure may affect the accuracy of the Favorite Fill feature. So, for optimum performance of your water dispenser, you must first calibrate Measured Fill.

### IMPORTANT:

- Flush the water system before saving Favorite Fill.
- For best results, calibration should be performed when water is not being used in the house.

1. Place a preferred-size cup on the dispenser tray centered in front of the ice/water dispenser paddle.
2. Select either Favorite 1 or Favorite 2, and then touch and hold the Favorite Fill button for 3 seconds to enter into Saving mode. The Favorite Fill icon will illuminate and remain lit while the Favorite Fill feature is being saved.

**NOTE:** You may touch FAVORITE FILL to exit at any time in Saving mode and the display will return to the Home screen.

3. Press and hold the water dispenser paddle, as needed, to dispense water to the preferred-size cup.

**NOTE:** If overfilling or spilling occurs, discard the water and restart the saving process.

4. When the preferred amount of water has been correctly dispensed into the cup, touch the Favorite Fill button to confirm the favorite amount.
5. When Favorite Fill amount has been confirmed, the display will return to the home screen.

---

## Dispensing

---

Touch CUBED ICE or CRUSHED ICE for your ice selection.

### NOTES:

- For crushed ice, cubes are crushed before being dispensed. This may cause a slight delay when dispensing crushed ice. Noise from the ice crusher is normal and pieces of ice may vary in size.
- When changing from crushed to cubed, a few ounces of crushed ice will be dispensed along with the first cubes.

## Dispensing Water

### IMPORTANT:

- Dispense at least 1 qt (1 L) of water every week to maintain a fresh supply.
- If the flow of water from the dispenser decreases, it could be caused by low water pressure.
  - With the water filter removed, dispense 1 cup (237 mL) of water. If 1 cup (237 mL) of water is dispensed in 8 seconds or less, the water pressure to the refrigerator meets the minimum requirement.
  - If it takes longer than 8 seconds to dispense 1 cup (237 mL) of water, the water pressure to the refrigerator is lower than recommended. See the "Water Supply Requirements" and "Troubleshooting" sections for suggestions.

### To Dispense Water - Standard:

1. Press a sturdy glass against the water dispenser paddle.
2. Remove the glass to stop dispensing.

**NOTE:** The Dispense Water button does not enable standard dispensing. It only functions in Measured Fill or Favorite Fill mode.

### To Dispense Water - Measured Fill:

Measured Fill allows you to dispense a specified amount of water with the touch of a few buttons.

1. Put a sturdy glass under water spout. Touch MEASURED FILL to activate.

**NOTE:** The amount of water you select will be dispensed. Make sure the container can hold the entire volume. If ice is in the container, you may need to adjust your selection.
2. Touch MEASURED FILL to turn on, then touch to select 8 oz (0.2 L), 16 oz (0.5 L), or 24 oz (0.7 L). Touch the fourth time to exit Measured Fill display.
3. Touch DISPENSE WATER (center button) or press paddle and the selected amount of water will be dispensed.

### NOTES:

- The Measured Fill dispenser will automatically time out after 1 minute of inactivity.
- You can refill several glasses with the same measurement by continuing to touch DISPENSE WATER (center button) after each glass fill.

Measured Fill options are listed in the following chart:

Units			
Ounces	8	16	24
Cups	1	2	3
Liters	0.2	0.5	0.7

**NOTE:** Most coffee cups (commonly 4 to 6 oz [118 to 177 mL] per cup) are not the same size as a measuring cup (8 oz [237 mL]). You may need to recalibrate Measured Fill to underfill or to avoid unintentionally overfilling coffee cups.

4. Dispense water.

**NOTE:** While dispensing water, the flow of water will automatically stop once the desired volume has been dispensed.

- Press a sturdy glass against the dispenser paddle below the water spout.

### OR

- Place the glass below the water spout and touch DISPENSE WATER for hands-free dispensing.

5. To pause dispensing before the selected volume has been dispensed, touch DISPENSE WATER a second time or touch the water dispenser paddle. Touch DISPENSE WATER or paddle again to resume dispensing remaining amount.

**NOTE:** If you stop dispensing before the desired volume has been dispensed, the display will turn off after 1 minute. If you have not resumed by then, it will reset back to the original amount.

6. To select a new volume or start dispensing the same volume again, you must first finish dispensing the selected volume or turn off the Measured Fill feature (either by waiting 1 minute, so it will automatically turn off, or by touching CUBED ICE or CRUSHED ICE to manually turn it off), and then select Measured Fill again.

### To Dispense Water - Favorite Fill:

Favorite Fill allows you to dispense a preferred amount of water with the touch of a few buttons.

1. Put a sturdy glass under water spout. Touch FAVORITE FILL to activate.

**NOTE:** The amount of water you select will be dispensed. Make sure the container can hold the entire volume. If ice is in the container, you may need to adjust your selection.
2. Touch FAVORITE FILL to turn on, then touch to select Favorite 1 or Favorite 2. Touch the third time to exit Favorite Fill display.
3. Touch DISPENSE WATER (center button) and the selected amount of water will be dispensed.

### NOTES:

- The Favorite Fill dispenser will automatically time out after 1 minute of inactivity.
  - You can refill several glasses with the same measurement by continuing to touch DISPENSE WATER (center button) after each glass fill.
4. Dispense water.

**NOTE:** While dispensing water, the flow of water will automatically stop once the desired volume has been dispensed.

- Press a sturdy glass against the dispenser paddle below the water spout.

### OR

- Place the glass below the water spout, and touch DISPENSE WATER for hands-free dispensing.

5. To pause dispensing before the selected volume has been dispensed, touch DISPENSE WATER a second time or touch the water dispenser paddle. Touch DISPENSE WATER or paddle again to resume dispensing remaining amount.

**NOTE:** If you stop dispensing before the desired volume has been dispensed, the display will turn off after 1 minute. If you have not resumed by then, it will reset back to the original amount.

6. To select a new volume or start dispensing the same volume again, you must first finish dispensing the selected volume or turn off the Favorite Fill feature (either by waiting 1 minute so it will automatically turn off or by touching CUBED ICE or CRUSHED ICE to manually turn it off), and then select Favorite Fill again.

---

## The Ice Dispenser

---

### IMPORTANT:

- If the ice cubes are hollow or have an irregular shape, it could be because of low water pressure. See the “Water Supply Requirements” section.
- Ice travels from the ice storage bin through the dispenser chute to the dispenser. To turn off the ice maker, see the “Ice Maker and Storage Bin” section.
- The dispenser may continue to make noise and ice may continue to dispense for several seconds after releasing the dispenser button or paddle.

### To Clean the Ice Dispenser Chute:

Humidity causes ice to naturally clump together. Ice particles can build up until the ice dispenser chute becomes blocked.


If ice is not dispensed regularly, it may be necessary to empty the ice storage bin and clean the ice delivery chute, the ice storage bin, and the area beneath the storage bin every 2 weeks.

- If necessary, remove the ice clogging the storage bin and delivery chute using a plastic utensil.
- Clean the ice delivery chute and the bottom of the ice storage bin using a warm, damp cloth, and then dry thoroughly.

### To Dispense Ice - Paddle Dispensing

1. Select the desired type of ice by pressing CUBED ICE or CRUSHED ICE.

**⚠ WARNING**



**Cut Hazard**

**Use a sturdy glass when dispensing ice.**

**Failure to do so can result in cuts.**

2. Press a sturdy glass against the dispenser paddle. Hold the glass close to the dispenser opening, so ice does not fall outside of the glass.

**IMPORTANT:** You do not need to apply a lot of pressure to the paddle to activate the ice dispenser. Pressing hard will not make the ice dispense faster or in greater quantities.

3. Remove the glass to stop dispensing.

**NOTE:** Ice may continue to dispense for several seconds after removing the glass from the dispenser paddle. The dispenser may continue to make noise for a few seconds after dispensing.

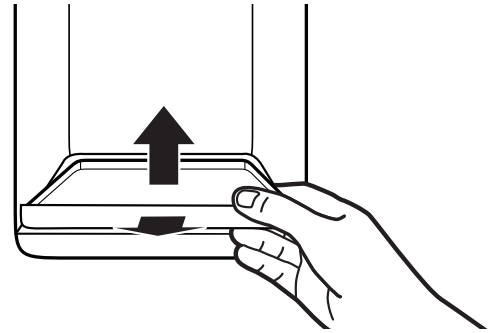
---

## The Dispenser Drip Tray

---

The drip tray can be removed to carry to the sink to empty or clean.

- Lift up on the front edge of the tray and pull forward to remove.
- The drip tray can also slide out to assist in Measured/ Favorite Fill.



---

## The Dispenser Light

---

1. When you use the dispenser, the light will automatically turn on.
2. The dispenser light also serves as an automatic night light. Once the ambient light in the room is reduced, the auto sensor will cause the dispenser light to illuminate.

---

## The Dispenser Lock

---

The dispenser can be locked for easy cleaning or to avoid unintentional dispensing by small children and pets.

**NOTE:** The lock feature does not shut off power to the refrigerator or the dispenser light. It simply deactivates the controls and dispenser levers. To turn off the ice maker, see the “Ice Maker and Storage Bin” section.

- Touch and hold CUBED ICE for 3 seconds to lock the dispenser.
- Touch and hold CUBED ICE for 3 seconds to unlock the dispenser.
- The display screen indicates when the dispenser is locked.

---

## Ice Maker and Storage Bin

---

**IMPORTANT:** To avoid low ice production and poor quality ice, flush the water system before turning on the ice maker. See the “Water Dispenser” section.

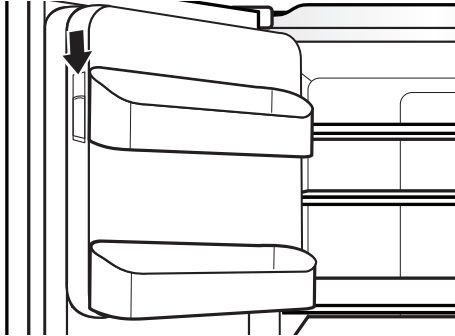
- Following installation, allow 24 hours to produce the first batch of ice. Discard the first 3 batches of ice produced. Allow 2 to 3 days to fill the ice storage bin.
- The quality of your ice will be only as good as the quality of the water supplied to your ice maker. Avoid connecting the ice maker to a softened water supply. Water softener chemicals (such as salt) can damage parts of the ice maker and lead to poor quality ice. If a softened water supply cannot be avoided, make sure the water softener is operating properly and is well-maintained.
- If the ice in the storage bin clumps together, break up ice using a plastic utensil and discard. Do not use anything sharp to break up the ice. This can cause damage to the ice bin and the dispenser mechanism.
- Do not store anything in the ice storage bin.

## Style 1 - Ice Maker in the Refrigerator

The ice maker is located on the left door behind the bins. Ice cubes are ejected into the ice storage bin located on the left-hand refrigerator door.

### Turn the Ice Maker On/Off

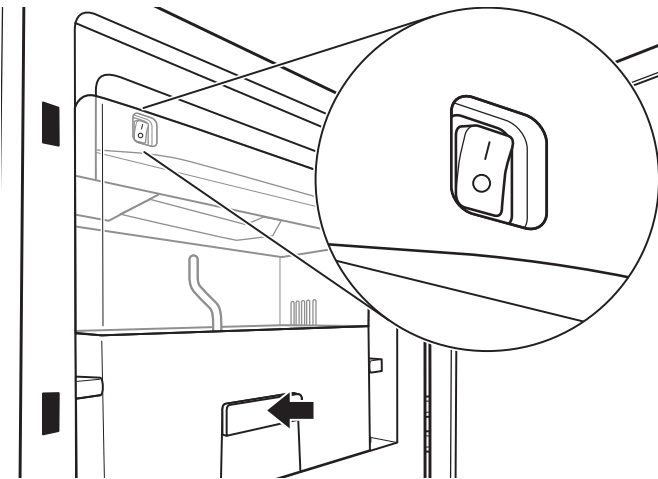
1. Push up on the latch on the left-hand side of the ice compartment to open the door.



2. Turn on the ice maker by moving the switch to the On (I) position.

#### NOTES:

- To manually turn off the ice maker, move the control to the Off (O) position.
- Your ice maker has an automatic shutoff. The sensor will automatically stop ice production if the storage bin is full, if the door is open or the storage bin is removed. The control will remain in the On (up) position.



3. Close the ice compartment door.

### Remove and Replace the Ice Storage Bin

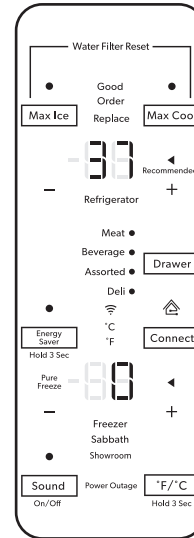
- Remove the ice storage bin by inserting your fingers into the hole at the base of the bin and pulling the latch to release the bin from the compartment. Lift the storage bin up and pull it straight out.
- Replace the storage bin inside the ice compartment and push down to make sure it is firmly in place.

### Ice Production Rate

- The ice maker should produce approximately 3.2 lbs (1.5 kg) of ice per day under normal operation.
- To increase ice production, select the “Max Ice” feature from the control panel. The ice maker should produce approximately 4.2 lbs (1.9 kg) of ice per day. See the “Using the Controls” section.

## Style 2 - Ice Maker in the Freezer (on some models)

### Turn the Ice Maker On/Off



To turn the ice maker on, touch Max Ice on the display on the left inner door panel. The icon will blink 3 times and remains lit in the display screen.

To manually turn the ice maker off, touch Max Ice. The display will blink 3 times and turn off.

#### NOTES:

- Your ice maker has an automatic shutoff. The sensor will automatically stop ice production if the storage bin is full or the door is open. The control will remain in the On position.
- Turn off the ice maker before removing the ice storage bin to serve ice or to clean the bin. This will keep the ice cubes from dropping out of the ice maker and into the freezer compartment. After replacing the ice storage bin, turn on the ice maker.

### Ice Production Rate

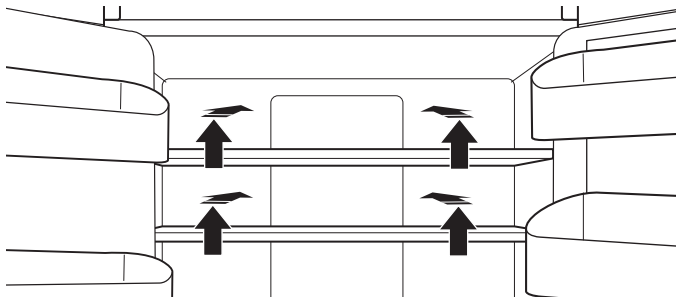
- Your ice maker should produce approximately 3.5 lbs (1.6 kg) of ice per day under normal operation.
- To increase ice production, select the “Max Ice” feature from the control panel. The ice maker should produce approximately 4.6 lbs (2.1 kg) of ice per day. See the “Using the Controls” section.

## Shelves, Bins, and Drawers

### Fold-Away Glass Shelf

Some shelves will tuck away to create room for taller objects. Some models have 2 fold-away glass shelves.

1. To retract the front section of the shelf, push the adjustable portion of the shelf as far back as needed toward the rear of the refrigerator.
2. Extend the front glass and front trim of the shelf by pulling the retracted portion of the shelf outward until it is fully extended.

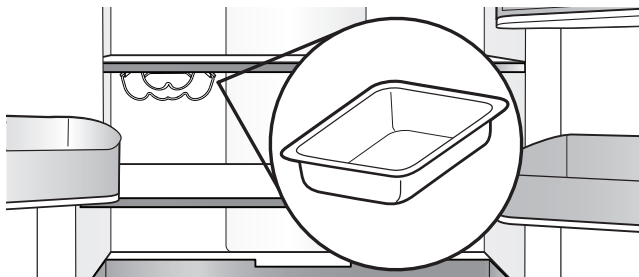


### Wine Rack and/or Pan

Under one shelf, there are brackets installed to the supports (one bracket on each support). The wine rack or pan rests in these brackets. The wine rack holds 2 bottles without taking up shelf space.

#### To remove and replace the wine rack:

1. Remove the wine rack/pan by lifting it up off the brackets. Press the right-hand side of the rack inward until it is free of its bracket. Lower the right-hand side slightly and disengage the left-hand side from its bracket.
2. Replace the wine rack/pan by inserting the left-hand side into its bracket. Press inward on the right-hand side until it will slide past the bracket edge and set it into its bracket.



#### Important information to know about glass shelves and covers:

Do not clean glass shelves or covers with warm water when they are cold. Shelves and covers may break if exposed to sudden temperature changes or impact, such as bumping. Tempered glass is designed to shatter into many small, pebble-size pieces. This is normal. Glass shelves and covers are heavy. Use both hands when removing them to avoid dropping.

### Shelves and Shelf Frames

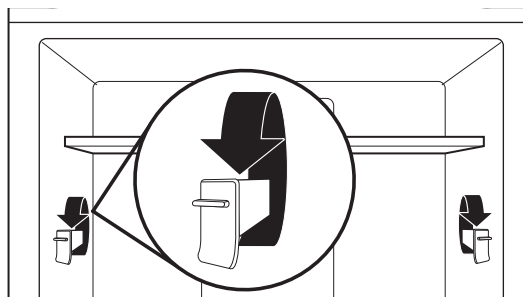
The shelves in your refrigerator are adjustable to meet your individual storage needs.

Storing similar food items together in your refrigerator and adjusting the shelves to fit different heights of items will make finding the exact item you want easier. It will also reduce the amount of time the refrigerator door is open and save energy.

### Shelf Height Adjustment

Shelf height can be adjusted by changing the adjustable shelf mounts between their vertical and horizontal positions.

1. Carefully lift the shelf off the shelf mounts and turn the flipper to the desired orientation.
2. Repeat for remaining shelf mounts.
3. Apply pressure to the top of the shelf to ensure the shelf is properly seated on the shelf mounts.



#### To remove and replace shelves:

1. Make sure adjustable shelf mounts are in the lower position before removing shelves. Also doors will need to be open at a 90° angle. If open wider, it will make it harder to remove the shelves.
2. Remove the middle shelf or top shelf by lifting it up and out of the shelf supports. Then pull the shelf forward and tilt down to a vertical position. Turn the shelf at an angle and pull out of the refrigerator.

#### NOTES:

- Will need to remove middle shelf first before removing top shelf.
  - Infinity-slide glass shelves should be pushed back in. When tilted up, make sure glass does not slide to front.
3. Remove the bottom shelf by lifting it up and out of the shelf supports. Then pull the shelf forward and tilt up to a vertical position. Turn the shelf at an angle and pull out of the refrigerator.
  4. Replace the middle and top shelves by putting the shelf in the refrigerator at an angle with the shelf front down. Lift the front of the shelf up and in until rear shelf drops into the shelf supports. Lower the front of the shelf and make sure that the shelf is in position.
  5. Replace the bottom shelf by putting the shelf in the refrigerator at an angle with the shelf up. Lift the front of the shelf down and in until rear shelf drops into the shelf supports. Lower the front of the shelf and make sure that the shelf is in position.

#### Shelves with under-shelf lighting (on some models)

By moving LED lighting to a new spot under the shelves, this leading-edge technology improves interior refrigerator lighting and aids in locating storage items.

---

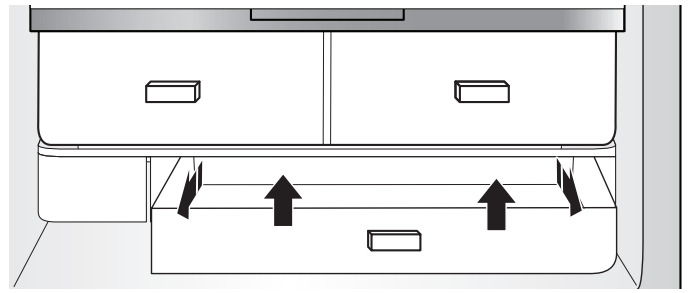
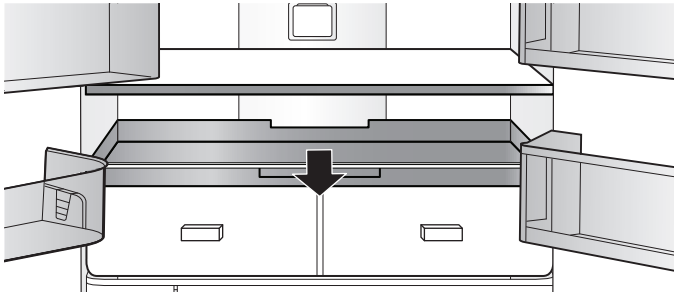
## Pull-Out Platter

---

### To remove and replace Pull-Out Platter:

**NOTE:** Refrigerator doors will need to be removed to remove platter pocket. See the “Remove and Replace Refrigerator Doors” section for more information.

1. Pull the pull-out platter to the fully open position or when it stops.
2. Locate the pull-out platter retention clips on both sides. These are in the side under the pull-out platter.
3. Push the clip up from the bottom with your finger.
4. After both clips have been disengaged, carefully remove the pull-out platter toward the front of the refrigerator.



### To replace crisper(s) cover:

1. Remove the crisper pan, pull-out platter, and crisper glass before removing the crisper.
2. Fit back of cover frame into supports on side walls of the refrigerator and lower the front of the cover frame into place.
3. Slide rear of glass insert into cover frame and lower front into place.

---

## Refrigerator Door Bins

---

The bins on your refrigerator door are adjustable to meet your individual storage needs. The gallon-sized bins make it easy to customize door storage to hold gallon containers.

### Door Bin Divider (on some models)

This divider fits in the door bin to divide the bin and elevate smaller items at the back of the bin.

---

## Humidiseal™ Crisper Drawers

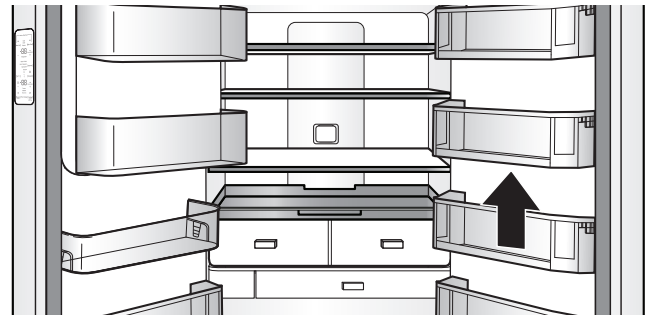
---

### To remove and replace the drawers:

1. Grasp the handle at the bottom of the drawer and slide the drawer straight out to the stop. Lift the drawer off the bottom guide.
2. Replace the drawer by placing it on the bottom drawer guide and pushing it past the drawer stop into position.

### To remove the crispers cover (can remove only if pull-out platter is removed first):

1. Remove the pull-out platter first.
2. Holding the glass insert firmly with one hand, press up in center of glass insert until it rises above the plastic frame. Gently slide the glass insert forward to remove.



## Herb Tender™ Container

A container to store herbs and the water to keep them fresh is located within the herb bin. For your convenience, you can reposition the Herb Tender™ container anywhere in the bin.

## Freezer Drawers

### Small Items Bin (on some models)

This drawer divider is not removable and is for small, delicate items. For storage flexibility, the drawer bin can move forward and back, allowing you to store larger items in one section of the freezer.

### Pizza Pocket

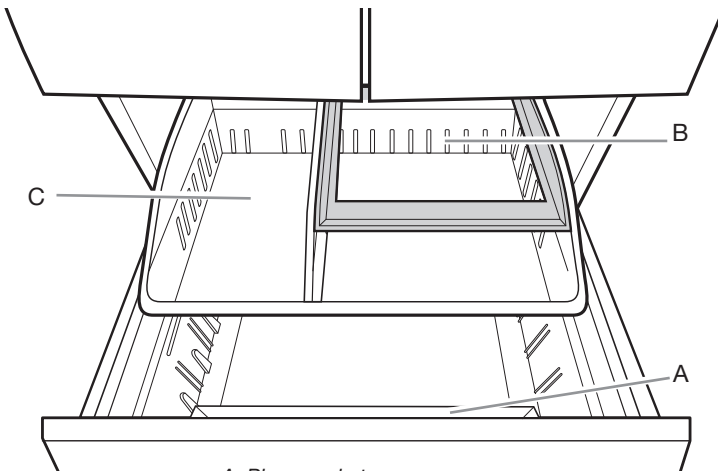
Space at the front of the drawer allows vertical storage of additional pizza boxes.

### Third Tier

This shelf is not removable. To allow access, the third tier is able to move backward, allowing reach to items in the area below.

### Ice Bin (on some models)

Ice storage for second ice maker



A. Pizza pocket  
B. Third tier  
C. Ice bin (not shown)

## Audio Reference

### Tone Assignment

Tone Name	Usage Examples
POWER ON	Cooling system is turned on every time the product is powered on.
POWER OFF	Cooling system is turned off.
KEY PRESS	User presses a valid button.
INVALID (ERROR)	User presses 2 or more valid buttons at the same time. Count-down interruption for press-and-hold buttons. User presses pad when dispensing is not allowed.
ENGAGE	UI is locked. Max Ice is turned on. Measured Fill dispensing complete. Smart Grid is turned on when Wi-Fi connection is initiated by user.
DISENGAGE	UI is unlocked. Max Ice is turned off. Dispensing has timed out.
ALERT	Wi-Fi alert, Door Ajar alert, or Wi-Fi connection is lost for 12 hours.

This table is for quick reference only. See corresponding sections for details. In case of inconsistency, section details will prevail.

# REFRIGERATOR CARE

## Cleaning

### **⚠ WARNING**



#### Explosion Hazard

**Use nonflammable cleaner.**

**Failure to do so can result in death, explosion, or fire.**

Both the refrigerator and freezer sections defrost automatically. However, clean both sections about once a month to avoid buildup of odors. Wipe up spills immediately.

### Exterior Cleaning

Please see the exterior cleaning information specific to your model.

#### Style 1 - Smooth Door

**IMPORTANT:** Damage to smooth finish due to improper use of cleaning products or using non-recommended cleaning products is not covered under the warranty. Sharp or blunt instruments will mar the finish.

DO USE	DO NOT USE
✓ Soft, clean cloth	<ul style="list-style-type: none"> <li>✗ Abrasive cloths</li> <li>✗ Paper towels or newsprint</li> <li>✗ Steel-wool pads</li> </ul>
✓ Warm, soapy water with a mild detergent	<ul style="list-style-type: none"> <li>✗ Abrasive powders or liquids</li> <li>✗ Window sprays</li> <li>✗ Ammonia</li> <li>✗ Acidic or vinegar-based cleaners</li> <li>✗ Oven cleaners</li> <li>✗ Flammable fluids</li> </ul>

**NOTE:** Paper towels scratch and may dull the clear coat of the painted door. To avoid possible damage, use only soft, clean cloths to polish and wipe the door.

#### Style 2 - Stainless Steel

##### IMPORTANT:

- Use recommended stainless steel cleaners and cloths only. Damage to stainless steel finish due to improper use of cleaning products or using non-recommended cleaning products is not covered under the warranty.
- Avoid exposing stainless steel appliances to caustic or corrosive elements such as high-salt, high-moisture or high-humidity environments. Damage due to exposure to these elements is not covered under the warranty.

DO USE	DO NOT USE
✓ Soft, clean cloth	<ul style="list-style-type: none"> <li>✗ Abrasive cloths</li> <li>✗ Paper towels or newsprint</li> <li>✗ Steel-wool pads</li> </ul>
✓ Warm, soapy water with a mild detergent	<ul style="list-style-type: none"> <li>✗ Abrasive powders or liquids</li> <li>✗ Ammonia</li> <li>✗ Citrus-based cleaners</li> <li>✗ Acidic or vinegar-based cleaners</li> <li>✗ Oven cleaners</li> </ul>
✓ For heavy soil, use ONLY a stainless steel cleaner designed for appliances. To order the cleaner, see the "Accessories" section.	<ul style="list-style-type: none"> <li>✗ Stainless steel cleaner is for stainless steel parts only! Do not allow the stainless steel cleaner and polish to come into contact with any plastic parts such as the trim pieces, dispenser covers, or door gaskets.</li> </ul>

### NOTES:

- If unintentional contact does occur, clean plastic part with a sponge and mild detergent in warm water. Dry thoroughly with a soft cloth.
- Just because a cleaner is a liquid does not mean it is nonabrasive. Many liquid cleansers formulated to be gentle on tile and smooth surfaces still damage stainless steel.
- Citric acid permanently discolors stainless steel. To avoid damaging the finish of your stainless steel refrigerator:

#### Do not allow these substances to remain on the finish:

- ✗ Mustard
- ✗ Citrus-based sauces
- ✗ Tomato juice
- ✗ Citrus-based products
- ✗ Marinara sauce

### Interior Cleaning

**IMPORTANT:** Refrigerator shelves with under-shelf, LED lighting are not dishwasher safe.

1. Unplug refrigerator or disconnect power.
2. Hand wash, rinse, and dry removable parts and interior surfaces thoroughly. Use a clean sponge or soft cloth and a mild detergent in warm water.

**NOTE:** Do not use abrasive or harsh cleaners such as window sprays, scouring cleansers, flammable fluids, cleaning waxes, concentrated detergents, bleaches, or cleansers containing petroleum products on plastic parts, interior and door liners, or gaskets.

3. Plug in refrigerator or reconnect power.

### Condenser Cleaning

There is no need for routine condenser cleaning in normal home operating environments. If the environment is particularly greasy or dusty or there is significant pet traffic in the home, the condenser should be cleaned every 6 months to ensure maximum efficiency.

**If you need to clean the condenser, please call for service.**



---

## Lights

The lights in both the refrigerator and freezer compartments are LEDs which do not need to be replaced. If the lights do not illuminate when the door or drawer is opened, call for assistance or service. In the U.S.A., call **1-800-253-1301**. In Canada, call **1-800-807-6777**.

---

## Vacation and Moving Care

---

### Vacations

#### If You Choose to Leave the Refrigerator On While You're Away:

1. Use up any perishables and freeze other items.
2. If your refrigerator has an automatic ice maker and is connected to the household water supply, turn off the water supply to the refrigerator. Property damage can occur if the water supply is not turned off.
3. If you have an automatic ice maker, turn off the ice maker.
  - Press the switch to OFF for the door ice maker.
4. Empty the ice bin.

#### If You Choose to Turn Off the Refrigerator Before You Leave:

**NOTE:** Put refrigerator in Showroom mode while on vacation. See the "Using the Controls" section.

1. Remove all food from the refrigerator.
2. If your refrigerator has an automatic ice maker:
  - Turn off the water supply to the ice maker at least one day ahead of time.
  - When the last load of ice drops, press the switch to OFF for display to be unlit on the top inside of the refrigerator, depending on your model.
3. Empty the ice bin.
4. Turn off the Temperature controls. See the "Using the Controls" section.
5. Clean refrigerator, wipe it, and dry well.
6. Tape rubber or wood blocks to the tops of both doors to prop them open far enough for air to get in. This stops odor and mold from building up.

---

### Moving

When you are moving your refrigerator to a new home, follow these steps to prepare it for the move.

1. If your refrigerator has an automatic ice maker:
  - Turn off the water supply to the ice maker at least 1 day ahead of time.
  - Disconnect the water line from the back of the refrigerator.
  - When the last load of ice drops, press the switch to OFF either on the ice maker or the control, depending on your model.
2. Remove all food from the refrigerator and pack all frozen food in dry ice.
3. Empty the ice bin.
4. Unplug refrigerator.
5. Clean, wipe, and dry thoroughly.
6. Take out all removable parts, wrap them well, and tape them together so they don't shift and rattle during the move.
7. Depending on the model, raise the front of the refrigerator so it rolls more easily OR raise the leveling screws so they don't scrape the floor. See the "Adjust the Doors" or "Refrigerator Leveling and Door Closing" sections.
8. Tape the doors closed and tape the power cord to the back of the refrigerator.

When you get to your new home, put everything back and refer to the "Installation Instructions" section for preparation instructions. Also, if your refrigerator has an automatic ice maker, remember to reconnect the water supply to the refrigerator.

# TROUBLESHOOTING—CONNECTED MODELS

First try the solutions suggested here. If you need further assistance or more recommendations that may help you avoid a service call, refer to the warranty page in this manual, visit [www.jennair.com/connect](http://www.jennair.com/connect) or call **1-877-559-2603**. In Canada, visit [www.jennair.ca/fr/connect](http://www.jennair.ca/fr/connect).

Contact us by mail with any questions or concerns at the address below:

In the U.S.A.: JennAir Brand Home Appliances Customer eXperience Center 553 Benson Road Benton Harbor, MI 49022-2692	In Canada: JennAir Brand Home Appliances Customer eXperience Centre 200 – 6750 Century Ave. Mississauga, Ontario L5N 0B7
--	--

Please include a daytime phone number in your correspondence.

Connection Status	Control Panel Indicator Lights
Refrigerator is not connected.	Wi-Fi icon is OFF.
Refrigerator is attempting to connect to home Wi-Fi router.	Wi-Fi icon is blinking slowly.
Refrigerator is connected to home Wi-Fi router, but JennAir app or Smart Grid functions do not work.	Wi-Fi icon is ON.
Refrigerator is connected to home Wi-Fi router and the JennAir app works.	Wi-Fi icon is ON.

First try the solutions suggested here or visit our website at [www.jennair.com/connect](http://www.jennair.com/connect).

If you experience	Possible Causes	Solution
Refrigerator is not connected to home Wi-Fi router. (Wi-Fi icon is OFF.)	The refrigerator may be in Standby mode.	Touch and hold Connect button together for 3 seconds to see the Wi-Fi icon blinking, then lights are ON solid. All indicator lights are OFF when in Standby mode.
	The refrigerator has never been connected to the home Wi-Fi router.	See the “Connectivity Setup” section.
	Lost connection to home Wi-Fi router	Check whether the router is ON and working with other computers or devices in the home (able to access the Internet).
	Weak signal strength or signal interference between the refrigerator and router	Try to place the wireless router closer to the refrigerator. It may be necessary to install a Wi-Fi range extender.
Wi-Fi icon does not light at all after touching and holding CONNECT.	Something may be wrong with the refrigerator.	Unplug or disconnect refrigerator power for 30 seconds. Return power. Repeat Wi-Fi connecting process.
		Verify that the refrigerator operates correctly, except for not being able to connect. Call for possible additional troubleshooting.
Refrigerator is connected to home Wi-Fi router, but JennAir app does not work.	Connection to the JennAir app may be unavailable.	Check Internet.
	User account has not been properly set up or the refrigerator has not been registered in an account.	See the “Connectivity Setup” section or the JennAir app directly for account setup and refrigerator registration instructions.
		Verify that the refrigerator is paired with your account in the app.
	Router is not connected to Internet.	Verify correct email address, mobile number, and notification preferences.
No connection of refrigerator after several attempts.	Wi-Fi disconnected	Check other devices connected to Internet through same router.
		Touch and hold Connect button for 3 seconds to enable Wi-Fi. Power off service breaker for 30 or more seconds, power back on, and then use alternate set-up instructions available at <a href="http://www.jennair.com/connect">www.jennair.com/connect</a> .

# TROUBLESHOOTING

First try the solutions suggested here. If you need further assistance or more recommendations that may help you avoid a service call, refer to the warranty page in this manual, visit [www.jennair.custhelp.com](http://www.jennair.custhelp.com) or call **1-800-253-1301**. In Canada, visit [www.jennair.ca](http://www.jennair.ca).

Contact us by mail with any questions or concerns at the address below:


<p>In the U.S.A.:</p> <p>JennAir Brand Home Appliances Customer eXperience Center 553 Benson Road Benton Harbor, MI 49022-2692</p>	<p>In Canada:</p> <p>JennAir Brand Home Appliances Customer eXperience Centre 200 – 6750 Century Ave. Mississauga, Ontario L5N 0B7</p>
--	--

Please include a daytime phone number in your correspondence.

First try the solutions suggested here or visit our website at [www.jennair.custhelp.com](http://www.jennair.custhelp.com).

## Refrigerator Operation

⚠ WARNING



Electrical Shock Hazard

- Plug into a grounded 3 prong outlet.**
- Do not remove ground prong.**
- Do not use an adapter.**
- Do not use an extension cord.**

Failure to follow these instructions can result in death, fire, or electrical shock.

If you experience	Possible Causes	Solution
The refrigerator will not operate.	Check electrical supply.	Plug the power cord into a grounded 3 prong outlet.
		Do not use an extension cord.
		Make sure there is power to the outlet. Plug in a lamp to see if the outlet is working.
		Reset a tripped circuit breaker. Replace any blown fuses. <b>NOTE:</b> If problems continue, contact an electrician.
	Check controls.	Make sure the controls are turned on. See the “Using the Controls” section.
New installation	Allow 24 hours following installation for the refrigerator to cool completely. <b>NOTE:</b> Adjusting the temperature controls to the coldest setting will not cool either compartment more quickly.	
Refrigerator control is in Showroom mode (on some models).	If the refrigerator is in Showroom mode, cooling is turned off and “Showroom” will be illuminated on the control panel. See the “Using the Controls” section for more information.	

# TROUBLESHOOTING

First try the solutions suggested here or visit our website at [www.jennair.custhelp.com](http://www.jennair.custhelp.com).

If you experience	Possible Causes	Solution
<b>Refrigerator Operation (cont.)</b>		
The motor seems to run too much.	High-efficiency compressor and fans	Larger, more efficient refrigerators run longer at lower, more energy-efficient speeds.
	The room or outdoor temperature is hot.	It is normal for the refrigerator to work longer under these conditions. For optimum performance, place the refrigerator in an indoor, temperature-controlled environment. See the "Location Requirements" section.
	A large amount of warm food has been recently added.	Warm food will cause the refrigerator to run longer until the air cools to the desired temperature.
	The door(s) are opened too frequently or for too long.	Warm air entering the refrigerator causes it to run more. Open the door less often.
	The refrigerator door or freezer drawer is ajar.	Make sure the refrigerator is level. See the "Refrigerator Leveling and Door Closing" section. Keep food and containers from blocking the door.
	The refrigerator control is set too cold.	Adjust the refrigerator control to a less-cold setting until the refrigerator temperature is as desired.
	The door or drawer gasket is dirty, worn, or cracked.	Clean or change the gasket. Leaks in the door seal will cause the refrigerator to run longer in order to maintain desired temperatures.
The lights do not work.	Your refrigerator is equipped with LED lighting which does not need to be replaced.	If there is power to the refrigerator and the lights do not illuminate when a door or drawer is opened, call for service or assistance.
	Doors have been open longer than 10 minutes.	Close the doors and drawer to reset and open to resume lighted task.
	The door switch is not sensing the door opening.	Ensure there are no magnets or electronic devices within 3" (7.6 cm) of the hinge cover.
The Temperature Controls UI does not turn on.	The door switch is not sensing the door opening.	Ensure there are no magnets or electronic devices within 3" (7.6 cm) of the hinge cover.
<b>Unusual Noise</b>		
To listen to normal refrigerator sounds, go to the Product Help/FAQ section of the brand website and search for "normal sounds." Below are listed some normal sounds with explanations.		
The refrigerator seems noisy.	The compressor in your new refrigerator regulates temperature more efficiently while using less energy and operates quietly.	Due to this reduction in operating noise, you may notice unfamiliar noises that are normal.
Sound of the compressor running longer than expected	High-efficiency compressor and fans	Larger, more-efficient refrigerators run longer at lower, more energy-efficient speeds.
Pulsating/Whirring	Fans/compressor adjusting to optimize performance during normal compressor operation	This is normal.
Popping	Contraction/expansion of inside walls, especially during initial cooldown	This is normal.
Hissing/Dripping	Flow of refrigerant or flow of oil in the compressor	This is normal.
Vibration	The refrigerator may not be steady.	Adjust the leveling screws and lower the leveling foot firmly against the floor. See the "Refrigerator Leveling and Door Closing" section.

# TROUBLESHOOTING

First try the solutions suggested here or visit our website at [www.jennair.custhelp.com](http://www.jennair.custhelp.com).

If you experience	Possible Causes	Solution
<b>Unusual Noise (cont.)</b>		
Rattling/Banging	Movement of the water lines against the refrigerator cabinet or of items placed on top of the refrigerator cabinet	Move excess water line away from the refrigerator cabinet or fasten excess tubing to the cabinet. See "Connect the Water Supply" section or remove items from the top of the refrigerator.
Sizzling	Water dripping on the heater during Defrost cycle	This is normal.
Water running/Gurgling	May be heard when ice melts during the Defrost cycle and water runs into the drain pan.	This is normal.
Buzzing and clicking	Heard when the water valve opens and closes to dispense water and/or fill the ice maker.	If the refrigerator is connected to a water line, this is normal. If the refrigerator is not connected to a water line, turn off the ice maker.
Repetitive clicking	Dual evaporator valve regulating the cooling operation.	You may hear rapid repetitive clicking sounds as the unit switches from cooling one compartment to cooling the other. This sound is normal.
Creaking/Cracking/Grinding	May be heard as ice is being ejected from the ice maker mold.	This is normal.
Clatter	May be heard when the ice falls into the ice storage bin.	This is normal.
<b>Temperature and Moisture</b>		
Temperature is too warm.	The refrigerator has just been installed.	Allow 24 hours following installation for the refrigerator to cool completely.
	Cooling is turned off.	Turn on cooling. See the "Using the Controls" section.
	The controls are not set correctly for the surrounding conditions.	Adjust the controls a setting colder. Check the temperature in 24 hours. See the "Using the Controls" section.
	The door(s) are opened often or not closed completely. Allows warm air to enter refrigerator.	Minimize door openings and keep doors fully closed.
	A large load of food was recently added.	Allow several hours for refrigerator to return to normal temperature.
Temperature is too cold in the refrigerator/crisper.	The refrigerator air vent(s) are blocked.	If the air vent located in the middle rear of the refrigerator compartment is blocked by items placed directly in front of it, the refrigerator will get too cold. Move items away from the air vent.
	The controls are not set correctly for the surrounding conditions.	Adjust the controls a setting warmer. Check the temperature in 24 hours. See the "Using the Controls" section.
	The ice storage bin is not in the correct position.	See the "Ice Maker and Storage Bin" sections.
Temperature is too cold in the pantry drawer.	The control is not set correctly for the items stored in drawer.	Adjust the temperature setting. See the "Using the Controls" section.
There is interior moisture buildup. <b>NOTE:</b> Some moisture buildup is normal.	The room is humid.	A humid environment contributes to moisture buildup.
	The door(s) are opened often or not closed completely. Allows humid air to enter the refrigerator.	Minimize door openings and close doors completely.
	The door(s) are blocked open.	Move food packages away from door.
	A bin or shelf is in the way.	Push bin or shelf back into the correct position.
	Storing liquid in open containers	This adds humidity to the refrigerator interior. Keep all containers tightly covered.

# TROUBLESHOOTING

First try the solutions suggested here or visit our website at [www.jennair.custhelp.com](http://www.jennair.custhelp.com).

If you experience	Possible Causes	Solution
<b>Temperature and Moisture (cont.)</b>		
There is frost/ice buildup in the freezer compartment.	The drawer is opened often or left open.	Minimize drawer openings and close drawer completely after use.
	Poor door seal	Ensure door seals are making full contact with the refrigerator cabinet to allow for an adequate seal.
	Temperature controls are not set correctly.	See the "Using the Controls" section for recommended temperature settings.
<b>Ice and Water</b>		
The ice maker is not producing ice or is not producing enough ice.	The refrigerator is not connected to a water supply or the water supply shut-off valve is not turned on.	Connect refrigerator to water supply and turn water shut-off valve to fully open.
	There is a kink in the water source line.	A kink in the line can reduce water flow. Straighten the water source line.
	The ice maker is not turned on.	Make sure the ice maker is ON. See the "Ice Maker and Storage Bin" section.
	The refrigerator has just been installed.	Wait 24 hours after ice maker installation for ice production to begin. Wait 3 days for full ice production.
	The refrigerator door is not closed completely.	Close the door firmly. If it does not close completely, see "The doors will not close completely" in this table.
	A large amount of ice was recently removed.	Allow sufficient time for ice maker to produce more ice. See the "Ice Maker and Storage Bin" section for ice production rates.
	An ice cube is jammed in the ice maker.	Remove ice from the ice maker with a plastic utensil.
	A water filter is installed on the refrigerator.	Remove the water filter and operate the ice maker. If ice volume improves, then the filter may be clogged or incorrectly installed. Replace filter or reinstall it correctly.
	A reverse osmosis water filtration system is connected to the cold water supply.	This can decrease water pressure. See the "Water Supply Requirements" section.
The ice cubes are hollow or small. <b>NOTE:</b> This is an indication of low water pressure.	The water shut-off valve is not fully open.	Turn the water shut-off valve fully open.
	There is a kink in the water source line.	A kink in the line can reduce water flow. Straighten the water source line.
	A water filter is installed on the refrigerator.	Remove filter and operate ice maker. If ice quality improves, then the filter may be clogged or incorrectly installed. Replace filter or reinstall it correctly.
	A reverse osmosis water filtration system is connected to the cold water supply.	This can decrease water pressure. See the "Water Supply Requirements" section.
	Questions remain regarding water pressure.	Call a licensed, qualified plumber.

# TROUBLESHOOTING

First try the solutions suggested here or visit our website at [www.jennair.custhelp.com](http://www.jennair.custhelp.com).

If you experience	Possible Causes	Solution
<b>Ice and Water (cont.)</b>		
Off-taste, odor, or gray color in the ice or water	Newly installed refrigerator requires flush of water system.	Flush the water system. See the “Water and Ice Dispensers” section for water system flushing instructions.
	Recently installed or replaced plumbing connections. New plumbing connections can cause discolored or off-flavored ice and water.	Discard ice and wash the ice storage bin. Flush the water system with 3 gal. (12 L) of water. Allow 24 hours for the ice maker to make new ice and discard the first 3 batches of ice produced.
	Using a water supply connection type other than recommended	It is recommended to use copper tubing or JennAir® supply line, Part Number 8212547RP. See the “Connect the Water Supply” section.
	The ice has been stored too long.	Discard ice and wash ice storage bin. Allow 24 hours for ice maker to make new ice.
	The water has been stored too long.	Dispense at least 1 qt (1 L) of water per week to maintain a fresh supply.
	Odor from stored food has transferred to the ice.	Use airtight, moisture-proof packaging to store food.
	There are minerals (such as sulfur) in the water.	A water filter may need to be installed to remove the minerals.
	There is a water filter installed on the refrigerator.	Gray or dark discoloration in ice may indicate that the water filtration system needs additional flushing. Flush the water system after installing and before using a new water filter. See the “Water and Ice Dispensers” section for water filter flushing instructions.
	The water filter needs to be replaced.	Replace the disposable water filter at least every 6 months or when indicated. See the “Water Filtration System” section.
The water and ice dispenser will not operate properly.	The refrigerator is not connected to a water supply or the water supply shut-off valve is not turned on.	Connect the refrigerator to the water supply, and turn the water shut-off valve to fully open.
	There is a kink in the water source line.	A kink in the water line can reduce water flow from the water dispenser and result in hollow or irregular shaped ice. Straighten the water source line.
	The refrigerator has just been installed.	Flush and fill the water system. See the “Water and Ice Dispensers” section.
	The water pressure to the house is not at or above 35 psi (241 kPa).	The water pressure to the house determines the flow from the dispenser. See the “Water Supply Requirements” section.
	A reverse osmosis water filtration system is connected to the cold water supply.	A reverse osmosis water filtration system can decrease water pressure. See the “Water Supply Requirements” section.
	The water filter may be clogged.	Remove the water filter and operate dispenser. If water flow increases, your filter is clogged and needs to be replaced. See the “Water Filtration System” section.
	The water filter is installed incorrectly.	Remove the water filter and reinstall. See the “Water Filtration System” section.

# TROUBLESHOOTING

First try the solutions suggested here or visit our website at [www.jennair.custhelp.com](http://www.jennair.custhelp.com).

Ice and Water (cont.)		
If you experience	Possible Causes	Solution
The water and ice dispenser will not operate properly. (cont.)	The refrigerator door or freezer drawer is not closed completely.	Close the door or drawer firmly. If it does not close completely, see "The doors will not close completely."
	The refrigerator doors were recently removed.	Make sure the water dispenser wire/tube assembly has been properly reconnected at the top of the refrigerator door. See the "Remove and Replace Refrigerator Doors" section.
	Ice is clogged in the ice storage bin or ice is blocking the ice delivery chute.	Remove the ice clogging the storage bin and delivery chute, using a plastic utensil if necessary. Clean the ice delivery chute and the bottom of the ice storage bin using a warm, damp cloth, then dry both thoroughly. To avoid clogging and to maintain a fresh supply of ice, empty the storage bin and clean both the storage bin and delivery chute every 2 weeks.
Ice bin is difficult to remove from door.	Ice level in bin may be high and uneven from normal ice production and augering of ice during dispensing.	Dispense 2-3 glasses of ice, then try removing the ice bin.
The ice dispenser jams while dispensing crushed ice.	Crushed ice is blocking the ice delivery chute.	Switch from crushed ice to cubed ice to clear the ice dispenser. Then switch back to crushed ice.
Water is leaking or dripping from the dispenser system. <b>NOTE:</b> A few drops of water after dispensing is normal.	The glass was not held under the dispenser long enough.	Hold the glass under the dispenser 2 to 3 seconds after releasing the dispenser lever.
Ice continues to flow from the dispenser. <b>NOTE:</b> A few cubes dispensed after releasing the dispenser lever is normal.	The glass was not held under the dispenser long enough.	Hold the glass under the dispenser 2 to 3 seconds after releasing the dispenser lever.
Water continues to drip from the dispenser beyond the first few drops.	The refrigerator has just been installed.	Flushing the water system removes the air from the lines which causes the water dispenser to drip. Flush the water system. See the "Water and Ice Dispensers" section.
	The water filter was recently installed or replaced.	Flushing the water system removes the air from the lines which causes the water dispenser to drip. Flush the water system. See the "Water and Ice Dispensers" section.
	There may be a loose water connection.	Check for water in bottom of refrigerator compartment, hinge area, or by household connection in back of product.
Water is leaking from the back of the refrigerator.	The water line connections were not fully tightened.	See the "Connecting the Water" section.
	Recently removed the doors and did not fully tighten water line connection.	See the "Remove and Replace Refrigerator Doors" section.



# TROUBLESHOOTING

First try the solutions suggested here or visit our website at [www.jennair.custhelp.com](http://www.jennair.custhelp.com).

If you experience	Possible Causes	Solution
<b>Ice and Water (cont.)</b>		
Crushed or cubed ice misses the glass when dispensing ice.	The glass is not held close enough to where the ice exits the chute.	Hold the glass close to where the ice exits the chute.
Water from the dispenser is warm.	Water from the dispenser is chilled to 50°F (10°C).	This is normal.
	The refrigerator has just been installed.	Allow 24 hours after installation for the water supply to cool completely.
	A large amount of water was recently dispensed.	Allow 3 hours for the water supply to cool completely.
	Water has not been recently dispensed.	The first glass of water may not be cool. Discard the first glass of water dispensed.
	The refrigerator is not connected to a cold water pipe.	Make sure the refrigerator is connected to a cold water pipe. See the "Water Supply Requirements" section.
<b>Doors</b>		

**⚠ WARNING**



**Explosion Hazard**

**Use nonflammable cleaner.**

**Failure to do so can result in death, explosion, or fire.**

To view an animation showing how to adjust and align the doors, refer to the Product Help/FAQ section of the brand website and search for "Refrigerator Leveling and Door Closing."

If you experience	Possible Causes	Solution
The doors will not close completely.	The door is blocked open.	Move food packages away from door.
	A bin or shelf is in the way.	Push bin or shelf back into the correct position.
	Recently installed	Remove all packaging materials.
The doors are difficult to open.	The door gaskets are dirty or sticky.	Clean gaskets and contact surfaces with mild soap and warm water. Rinse and dry with soft cloth.
The doors appear to be uneven.	The doors need to be aligned or the refrigerator needs to be leveled.	See the "Refrigerator Leveling and Door Closing" section.
The refrigerator is unsteady or it rolls forward when opening and closing doors.	The refrigerator brake feet are not snug against the floor.	Remove the base grille. Turn both brake feet (1 on each side) clockwise, the same amount, until they are snug against the floor. See the "Refrigerator Leveling and Door Closing" section.

# Connected Appliance Regulatory Notices

## Federal Communications Commission (FCC) Compliance Notice

This equipment has been tested and found to comply with the limits for a Class B digital device, pursuant to Part 15 of the FCC Rules. These limits are designed to provide reasonable protection against harmful interference in a residential installation. This equipment generates, uses, and can radiate radio frequency energy and, if not installed and used in accordance with the instructions, may cause harmful interference to radio communications. However, there is no guarantee that interference will not occur in a particular installation. If this equipment does cause harmful interference to radio or television reception, which can be determined by turning the equipment off and on, the user is encouraged to try to correct the interference by one of the following measures:

- Reorient or relocate the receiving antenna.
- Increase the separation between the equipment and receiver.
- Connect the equipment into an outlet on a circuit different from that to which the receiver is connected.
- Consult the dealer or an experienced radio/TV technician for help.

This device complies with Part 15 of the FCC Rules. Operation is subject to the following two conditions:

1. This device may not cause harmful interference, and
2. This device must accept any interference received, including interference that may cause undesired operation.

Changes or modifications not expressly approved by the party responsible for compliance could void the user's authority to operate the equipment.

## RF Exposure Information

To comply with FCC/IC RF exposure requirements for mobile transmitting devices, this transmitter should only be used or installed at locations where there is at least 20 cm separation distance between the antenna and all persons.

To comply with FCC/IC RF exposure limits for general population/uncontrolled exposure, the antenna(s) used for this transmitter must be installed to provide a separation distance of at least 20 cm from all persons and must not be co-located or operating in conjunction with any other antenna or transmitter.

## Industry Canada (IC) Compliance Notice

This Device complies with Industry Canada License-exempt RSS standard(s). Operation is subject to the following two conditions:

1. This device may not cause interference,
2. This device must accept any interference, including interference that may cause undesired operation of the device.

Under Industry Canada regulations, this radio transmitter may only operate using an antenna of a type and maximum (or lesser) gain approved for the transmitter by Industry Canada. To reduce potential radio interference to other users, the antenna type and its gain should be so chosen that the equivalent isotropically radiated power (e.i.r.p.) is not more than that necessary for successful communication.

This radio transmitter IC: 10248A-XPWG3 has been approved by Industry Canada to operate with the antenna types listed below with the maximum permissible gain and required antenna impedance for each antenna type indicated. Antenna types not included in this list, having a gain greater than the maximum gain indicated for that type, are strictly prohibited for use with this device.

Antenna Type	Maximum Permissible Antenna Gain (dBi)	Required Impedance (OHM)
Slot	1.76	50

To comply with FCC and Industry Canada RF radiation exposure limits for general population, the antenna(s) used for this transmitter must be installed such that a minimum separation distance of 20 cm is maintained between the radiator (antenna) and all persons at all times and must not be co-located or operating in conjunction with any other antenna or transmitter.

## OEM Responsibilities to comply with FCC and Industry Canada Regulations

The XPWG3 Module has been certified for integration into products only by OEM integrators under the following conditions:

1. The antenna(s) must be installed such that a minimum separation distance of 20 cm is maintained between the radiator (antenna) and all persons at all times.
2. The transmitter module must not be co-located or operating in conjunction with any other antenna or transmitter.

As long as the two conditions above are met, further transmitter testing will not be required. However, the OEM integrator is still responsible for testing their end-product for any additional compliance requirements required with this module installed (for example, digital device emissions, PC peripheral requirements, etc.).

**IMPORTANT NOTE:** In the event that these conditions cannot be met (for certain configurations or co-location with another transmitter), then the FCC and Industry Canada authorizations are no longer considered valid and the FCC ID and IC Certification Number cannot be used on the final product. In these circumstances, the OEM integrator will be responsible for re-evaluating the end product (including the transmitter) and obtaining a separate FCC and Industry Canada authorization.

## End Product Labeling

The XPWG3 Module is labeled with its own FCC ID and IC Certification Number. If the FCC ID and IC Certification Number are not visible when the module is installed inside another device, then the outside of the device into which the module is installed must also display a label referring to the enclosed module. In that case, the final end product must be labeled in a visible area with the following:

**“Contains Transmitter Module FCC ID: A5UXPWG3”**

**“Contains Transmitter Module IC: 10248A-XPWG3”**

or

**“Contains FCC ID: A5UXPWG3”**

**“Contains IC: 10248A-XPWG3”**

The OEM of the XPWG3 Module must only use the approved antenna(s), which have been certified with this module. The OEM integrator has to be aware not to provide information to the end user regarding how to install or remove this RF module or change RF related parameters in the user manual of the end product.

## The user manual for the end product must include the following information in a prominent location:

“To comply with FCC and Industry Canada RF radiation exposure limits for general population, the antenna(s) used for this transmitter must be installed such that a minimum separation distance of 20 cm is maintained between the radiator (antenna) and all persons at all times and must not be co-located or operating in conjunction with any other antenna or transmitter.”

# Connected Appliance Regulatory Notices (cont.)

## Open Source License Usage

The following statements refer to the portions of this software based in part on FreeRTOS v7.0.2, <http://www.freertos.org>. The use of this software is governed by the terms of GNU General Public License v. 2, which is available at: <http://www.gnu.org/licenses/gpl-2.0.html>. A copy of the source code may be obtained by written request for the software by name to [opensource@whirlpool.com](mailto:opensource@whirlpool.com), along with the address for delivery.

The following statements refer to those portions of the software copyrighted by Eclipse Foundation, Inc. Copyright (c) 2007, Eclipse Foundation, Inc. and its licensors. All rights reserved.

Redistribution and use in source and binary forms, with or without modification, are permitted provided that the following conditions are met:

- Redistributions of source code must retain the above copyright notice, this list of conditions, and the following disclaimer.
- Redistributions in binary form must reproduce the above copyright notice, this list of conditions, and the following disclaimer in the documentation and/or other materials provided with the distribution.
- Neither the name of the Eclipse Foundation, Inc. nor the names of its contributors may be used to endorse or promote products derived from this software without specific prior written permission.

THIS SOFTWARE IS PROVIDED BY THE COPYRIGHT HOLDERS AND CONTRIBUTORS "AS IS" AND ANY EXPRESS OR IMPLIED WARRANTIES, INCLUDING, BUT NOT LIMITED TO, THE IMPLIED WARRANTIES OF MERCHANTABILITY AND FITNESS FOR A PARTICULAR PURPOSE ARE DISCLAIMED. IN NO EVENT SHALL THE COPYRIGHT OWNER OR CONTRIBUTORS BE LIABLE FOR ANY DIRECT, INDIRECT, INCIDENTAL, SPECIAL, EXEMPLARY, OR CONSEQUENTIAL DAMAGES (INCLUDING, BUT NOT LIMITED TO, PROCUREMENT OF SUBSTITUTE GOODS OR SERVICES; LOSS OF USE, DATA, OR PROFITS; OR BUSINESS INTERRUPTION) HOWEVER CAUSED AND ON ANY THEORY OF LIABILITY, WHETHER IN CONTRACT, STRICT LIABILITY, OR TORT (INCLUDING NEGLIGENCE OR OTHERWISE) ARISING IN ANY WAY OUT OF THE USE OF THIS SOFTWARE, EVEN IF ADVISED OF THE POSSIBILITY OF SUCH DAMAGE.

Portions of this software are copyright (c) Sawtooth Consulting Ltd. 2006-2015 All rights reserved.

Portions of this software are copyright (c) Arrayent, Inc. 2015 All rights reserved.

The following statements refer to those portions of the software copyrighted by Swedish Institute of Computer Science. Copyright (c) 2001-2004 Swedish Institute of Computer Science. All rights reserved.

Redistribution and use in source and binary forms, with or without modification, are permitted provided that the following conditions are met:

1. Redistributions of source code must retain the above copyright notice, this list of conditions, and the following disclaimer.
2. Redistributions in binary form must reproduce the above copyright notice, this list of conditions, and the following disclaimer in the documentation and/or other materials provided with the distribution.
3. The name of the author may not be used to endorse or promote products derived from this software without specific prior written permission.

THIS SOFTWARE IS PROVIDED BY THE AUTHOR "AS IS" AND ANY EXPRESS OR IMPLIED WARRANTIES, INCLUDING, BUT NOT LIMITED TO, THE IMPLIED WARRANTIES OF MERCHANTABILITY AND FITNESS FOR A PARTICULAR PURPOSE ARE DISCLAIMED. IN NO EVENT SHALL THE AUTHOR BE LIABLE FOR ANY DIRECT, INDIRECT, INCIDENTAL, SPECIAL, EXEMPLARY, OR CONSEQUENTIAL DAMAGES (INCLUDING, BUT NOT LIMITED TO, PROCUREMENT OF SUBSTITUTE GOODS OR SERVICES; LOSS OF USE, DATA, OR PROFITS; OR BUSINESS INTERRUPTION) HOWEVER CAUSED AND ON ANY THEORY OF LIABILITY, WHETHER IN CONTRACT, STRICT LIABILITY, OR TORT (INCLUDING NEGLIGENCE OR OTHERWISE) ARISING IN ANY WAY OUT OF THE USE OF THIS SOFTWARE, EVEN IF ADVISED OF THE POSSIBILITY OF SUCH DAMAGE.

The following statements refer to those portions of the software copyrighted by Marvell International Ltd. Copyright (c) Marvell International Ltd. All rights reserved.

DISCLAIMER. THIS SOFTWARE IS PROVIDED BY THE COPYRIGHT HOLDERS AND CONTRIBUTORS "AS IS" AND ANY EXPRESS OR IMPLIED WARRANTIES, INCLUDING, BUT NOT LIMITED TO, THE IMPLIED WARRANTIES OF MERCHANTABILITY AND FITNESS FOR A PARTICULAR PURPOSE ARE DISCLAIMED. IN NO EVENT SHALL THE COPYRIGHT OWNER OR CONTRIBUTORS BE LIABLE FOR ANY DIRECT, INDIRECT, INCIDENTAL, SPECIAL, EXEMPLARY, OR CONSEQUENTIAL DAMAGES (INCLUDING, BUT NOT LIMITED TO, PROCUREMENT OF SUBSTITUTE GOODS OR SERVICES; LOSS OF USE, DATA, OR PROFITS; OR BUSINESS INTERRUPTION) HOWEVER CAUSED AND ON ANY THEORY OF LIABILITY, WHETHER IN CONTRACT, STRICT LIABILITY, OR TORT (INCLUDING NEGLIGENCE OR OTHERWISE) ARISING IN ANY WAY OUT OF THE USE OF THIS SOFTWARE, EVEN IF ADVISED OF THE POSSIBILITY OF SUCH DAMAGE.

# PERFORMANCE DATA SHEET

## Water Filtration System Model P9WB2L/P9RFWB2L Capacity 200 Gallons (757 Liters)



System tested and certified by NSF International against NSF/ANSI Standard 42, Standard 53, Standard 401, and CSA B483.1 for the reduction of contaminants specified on the Performance Data Sheet.

This system has been tested according to NSF/ANSI Standards 42, 53, 401, and CSA B483.1 for the reduction of the substances listed below. The concentration of the indicated substances in water entering the system was reduced to a concentration less than or equal to the permissible limit for water leaving the system, as specified in NSF/ANSI Standards 42, 53, 401, and CSA B483.1.

Substance Reduction Aesthetic Effects	Influent Challenge Concentration	Maximum Permissible Product Water Concentration	Average% Reduction
Chlorine Taste/Odor	2.0 mg/L ± 10%	50% reduction	97.0%
Particulate Class I*	At least 10,000 particles/mL	85% reduction	>99.9%
Contaminant Reduction	Influent Challenge Concentration	Maximum Permissible Product Water Concentration	Average% Reduction
Lead: @ pH 6.5/@ pH 8.5	0.15 mg/L ± 10%	0.010 mg/L	>99.3% / 98.6%
Benzene	0.015 mg/L ± 10%	0.005 mg/L	93.8%
p-Dichlorobenzene	0.225 mg/L ± 10%	0.075 mg/L	99.8%
Carbofuran	0.08 mg/L ± 10%	0.040 mg/L	81.9%
Toxaphene	0.015 ± 10%	0.003 mg/L	>95%
Atrazine	0.009 mg/L ± 10%	0.003 mg/L	87.0%
Asbestos	10 <sup>7</sup> to 10 <sup>8</sup> fibers/L <sup>††</sup>	99%	>99%
Live Cysts <sup>†</sup>	50,000/L min.	99.95%	>99.99%
Turbidity	11 NTU ± 10%	0.5 NTU	96.9%
Lindane	0.002 ± 10%	0.0002 mg/L	>99.2%
Tetrachloroethylene	0.015 mg/L ± 10%	0.005 mg/L	96.6%
O-Dichlorobenzene	1.8 mg/L ± 10%	0.60 mg/L	92.3%
Ethylbenzene	2.1 mg/L ± 10%	0.70 mg/L	86.9%
1,2,4 - Trichlorobenzene	0.210 mg/L ± 10%	0.07 mg/L	>99.8%
2,4 - D	0.210 mg/L ± 10%	0.07 mg/L	88.5%
Styrene	2.0 mg/L ± 10%	0.1 mg/L	99.6%
Toluene	3.0 mg/L ± 10%	1.0 mg/L	93.5%
Endrin	0.006 mg/L ± 10%	0.002 mg/L	81.7%
Atenolol	200 ± 20%	30 ng/L	95.7%
Trimethoprim	140 ± 20%	20 ng/L	96.1%
Linuron	140 ± 20%	20 ng/L	96.3%
Estrone	140 ± 20%	20 ng/L	95.3%
Nonylphenol	1400 ± 20%	200 ng/L	95.5%

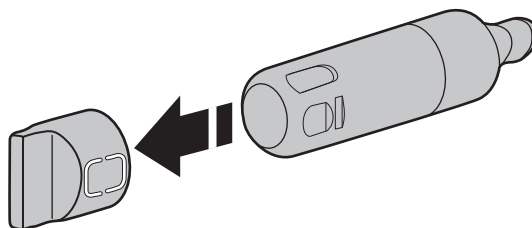
Test Parameters: pH = 7.5 ± 0.5 unless otherwise noted. Flow = 0.75 gpm (2.84 Lpm). Pressure = 60 psig (413.7 kPa). Temp. = 68°F to 71.6°F (20°C to 22°C). Rated service capacity = 200 gallons (757 liters).

The compounds certified under NSF 401 have been deemed as "emerging compounds/incidental contaminants." Emerging compounds/incidental contaminants are those compounds that have been detected in drinking water supplies at trace levels. While occurring at only trace levels, these compounds can affect the public acceptance/perception of drinking water quality.

- It is important that operational, maintenance, and filter replacement requirements be carried out for the product to perform as advertised. Property damage can occur if all instructions are not followed.
- The disposable cartridge must be changed at least every 6 months.
- Use replacement filter P9RFWB2L, part #EDR2RXD1/EDR2RXD1B. 2015 suggested retail price of \$49.99 U.S.A./\$49.99 Canada. Prices are subject to change without notice.
- The filter monitor system measures the amount of water that passes through the filter and alerts you when it is time to replace the filter. Refer to the "Using the Controls" or "Water Filtration System" section (in the User Instructions or User Guide) to learn how to check the water filter status.
- After changing the water filter, flush the water system. See "Water and Ice Dispensers" or "Water Dispenser" in the User Instructions or User Guide.
- These contaminants are not necessarily in your water supply. While testing was performed under standard laboratory conditions, actual performance may vary.
- The product is for cold water use only.
- The water system must be installed in compliance with state and local laws and regulations.
- Do not use with water that is microbiologically unsafe or of unknown quality without adequate disinfection before or after the system. Systems certified for cyst reduction may be used on disinfected waters that may contain filterable cysts. EPA Est. No. 082047-TWN-001
- Refer to the "Warranty" section (in the User Instructions or User Guide) for the Manufacturer's limited warranty, name and telephone number.

### Application Guidelines/Water Supply Parameters

Water Supply	Potable City or Well
Water Pressure	30 - 120 psi (207 - 827 kPa)
Water Temperature	33° - 100°F (0.6° - 37.8°C)
Service Flow Rate	0.75 gpm (2.84 L/min.) @ 60 psi



\*Class I particle size: >0.5 to <1 µm

<sup>†</sup>Based on the use of *Cryptosporidium parvum* oocysts

<sup>††</sup>Fibers greater than 10 µm in length

® NSF is a registered trademark of NSF International.

# JENNAIR® REFRIGERATOR LIMITED WARRANTY

ATTACH YOUR RECEIPT HERE. PROOF OF PURCHASE IS REQUIRED TO OBTAIN WARRANTY SERVICE.

Please have the following information available when you call the Customer eXperience Center:

- Name, address, and telephone number
- Model number and serial number
- A clear, detailed description of the problem
- Proof of purchase, including dealer or retailer name and address

## IF YOU NEED SERVICE:

1. Before contacting us to arrange service, please determine whether your product requires repair. Some questions can be addressed without service. Please take a few minutes to review the Troubleshooting section of the Use and Care Guide or visit [producthelp.jennair.com](http://producthelp.jennair.com).
2. All warranty service is provided exclusively by our authorized JennAir Service Providers. In the U.S. and Canada, direct all requests for warranty service to:

**JennAir Customer eXperience Center  
1-800-JENNAIR (1-800-536-6247).**

If outside the 50 United States or Canada, contact your authorized JennAir dealer to determine whether another warranty applies.

## TEN YEAR LIMITED WARRANTY

### WHAT IS COVERED

#### TWO YEAR LIMITED WARRANTY (PARTS & LABOR)

For two years from the date of purchase, when this major appliance is installed, operated, and maintained according to instructions attached to or furnished with the product, JennAir brand of Whirlpool Corporation or Whirlpool Canada LP (hereafter "JennAir") will pay for factory specified replacement parts and repair labor to correct defects in materials or workmanship that existed when this major appliance was purchased, or at its sole discretion replace the product. In the event of product replacement, your appliance will be warranted for the remaining term of the original unit's warranty period.

#### THIRD THROUGH FIFTH YEAR LIMITED WARRANTY ON CAVITY LINER AND SEALED REFRIGERATION SYSTEM (PARTS & LABOR)

In the third through fifth years from the date of purchase, when this major appliance is installed, operated, and maintained according to the instructions attached to or furnished with the product, JennAir brand will pay for factory specified replacement parts and repair labor for the following components to correct non-cosmetic defects in materials and workmanship in this part that prevent function of the refrigerator and that existed when this major appliance was purchased:

- Refrigerator/freezer cavity liner if the part cracks due to defective materials or workmanship
- Sealed Refrigeration system (includes compressor, evaporator, condenser, dryer and connecting tubing).

#### SIXTH THROUGH TENTH YEAR LIMITED WARRANTY (SEALED REFRIGERATION SYSTEM ONLY - LABOR NOT INCLUDED)

In the sixth through tenth year from the date of purchase, when this major appliance is installed, operated, and maintained according to instructions attached to or furnished with the product, JennAir brand will pay for factory specified replacement parts for the following components to correct defects in materials or workmanship in the sealed refrigeration system (includes compressor, evaporator, condenser, dryer, and connecting tubing) that existed when this major appliance was purchased.

YOUR SOLE AND EXCLUSIVE REMEDY UNDER THIS LIMITED WARRANTY SHALL BE PRODUCT REPAIR AS PROVIDED HEREIN. Service must be provided by a JennAir designated service company. This limited warranty is valid only in the United States or Canada and applies only when the major appliance is used in the country in which it was purchased. This limited warranty is effective from the date of original consumer purchase. Proof of original purchase date is required to obtain service under this limited warranty.

### WHAT IS NOT COVERED

1. Commercial, non-residential, multiple-family use, or use inconsistent with published user, operator, or installation instructions.
2. In-home instruction on how to use your product.
3. Service to correct improper product maintenance or installation, installation not in accordance with electrical or plumbing codes, or correction of household electrical or plumbing (e.g., house wiring, fuses or water inlet hoses).
4. Consumable parts (e.g., light bulbs, batteries, air or water filters, preservation solutions).
5. Defects or damage caused by the use of non-genuine JennAir parts or accessories.
6. Damage from accident, misuse, abuse, fire, floods, acts of God, or use with products not approved by JennAir.
7. Repairs to parts or systems to correct product damage or defects caused by unauthorized service, alteration or modification of the appliance.
8. Cosmetic damage, including scratches, dents, chips, and other damage to appliance finishes unless such damage results from defects in materials and workmanship and is reported to JennAir within 30 days.
9. Discoloration, rust, or oxidation of surfaces resulting from caustic or corrosive environments including, but not limited to, high salt concentrations, high moisture or humidity, or exposure to chemicals.
10. Food or medicine loss due to product failure.
11. Pickup or delivery. This product is intended for in-home repair.
12. Travel or transportation expenses for service in remote locations where an authorized JennAir servicer is not available.
13. Removal or reinstallation of inaccessible appliances or built-in fixtures (e.g., trim, decorative panels, flooring, cabinetry, islands, countertops, drywall) that interfere with servicing, removal, or replacement of the product.
14. Service or parts for appliances with original model/serial numbers removed, altered, or not easily determined.

**The cost of repair or replacement under these excluded circumstances shall be borne by the customer.**

### DISCLAIMER OF IMPLIED WARRANTIES

IMPLIED WARRANTIES, INCLUDING ANY IMPLIED WARRANTY OF MERCHANTABILITY OR IMPLIED WARRANTY OF FITNESS FOR A PARTICULAR PURPOSE, ARE LIMITED TO TEN YEARS OR THE SHORTEST PERIOD ALLOWED BY LAW. Some states and provinces do not allow limitations on the duration of implied warranties of merchantability or fitness, so this limitation may not apply to you. This warranty gives you specific legal rights, and you also may have other rights that vary from state to state or province to province.

### DISCLAIMER OF REPRESENTATIONS OUTSIDE OF WARRANTY

JennAir makes no representations about the quality, durability, or need for service or repair of this major appliance other than the representations contained in this warranty. If you want a longer or more comprehensive warranty than the limited warranty that comes with this major appliance, you should ask JennAir or your retailer about buying an extended warranty.

### LIMITATION OF REMEDIES: EXCLUSION OF INCIDENTAL AND CONSEQUENTIAL DAMAGES

YOUR SOLE AND EXCLUSIVE REMEDY UNDER THIS LIMITED WARRANTY SHALL BE PRODUCT REPAIR AS PROVIDED HEREIN. JENNAIR SHALL NOT BE LIABLE FOR INCIDENTAL OR CONSEQUENTIAL DAMAGES. Some states and provinces do not allow the exclusion or limitation of incidental or consequential damages, so these limitations and exclusions may not apply to you. This warranty gives you specific legal rights, and you also may have other rights that vary from state to state or province to province.

# SÉCURITÉ DU RÉFRIGÉRATEUR

## Votre sécurité et celle des autres est très importante.

Nous donnons de nombreux messages de sécurité importants dans ce manuel et sur votre appareil ménager. Assurez-vous de toujours lire tous les messages de sécurité et de vous y conformer.



Voici le symbole d'alerte de sécurité.

Ce symbole d'alerte de sécurité vous signale les dangers potentiels de décès et de blessures graves à vous et à d'autres.

Tous les messages de sécurité suivront le symbole d'alerte de sécurité et le mot "DANGER" ou "AVERTISSEMENT". Ces mots signifient :

**⚠ DANGER**

**Risque possible de décès ou de blessure grave si vous ne suivez pas immédiatement les instructions.**

**⚠ AVERTISSEMENT**

**Risque possible de décès ou de blessure grave si vous ne suivez pas les instructions.**

Tous les messages de sécurité vous diront quel est le danger potentiel et vous disent comment réduire le risque de blessure et ce qui peut se produire en cas de non-respect des instructions.

## IMPORTANTES INSTRUCTIONS DE SÉCURITÉ

**AVERTISSEMENT :** Pour réduire le risque d'incendie, de choc électrique ou de blessure dans le cadre de l'utilisation du réfrigérateur, suivre les consignes de base suivantes :

- Brancher sur une prise de terre (reliée à la masse).
- Ne pas retirer la broche de terre.
- Ne pas utiliser d'adaptateur.
- Ne pas utiliser de rallonge.
- Débrancher la source de courant électrique avant l'entretien.
- Remplacer pièces et panneaux avant de faire la remise en marche.
- Enlever les portes de votre vieux réfrigérateur.
- Utiliser un produit de nettoyage ininflammable.
- Ne pas utiliser ou conserver d'essence ni de liquides ou gaz inflammables à proximité de cet ou d'autres appareils électriques. Les fumées peuvent causer des incendies ou des explosions.
- Ne pas conserver de substances explosives, par exemple des bombes aérosols contenant un agent propulseur, dans ce réfrigérateur.
- Ne pas utiliser ni placer dans les compartiments du réfrigérateur des dispositifs électriques d'un type autre que celui expressément autorisé par le fabricant.
- Utiliser deux ou plus de personnes pour déplacer et installer le réfrigérateur.
- Débrancher le réfrigérateur avant l'installation de la machine à glaçons (seulement pour modèles prêts à recevoir une machine à glaçons).
- Un technicien qualifié doit installer le tuyau d'eau et le distributeur de glaçons.
- Raccorder uniquement à une arrivée d'eau potable.
- Utiliser un verre robuste pour prendre des glaçons (sur certains modèles).
- Cet appareil ne convient pas à une utilisation par des personnes (y compris des enfants) à capacités physiques, sensorielles ou mentales réduites, ou possédant un manque d'expérience et de connaissances, à moins qu'elles ne soient placées sous supervision ou qu'elles aient reçu des instructions concernant l'utilisation de l'appareil par une personne responsable de leur sécurité.
- Les enfants doivent être placés sous surveillance afin de s'assurer qu'ils ne jouent pas avec l'appareil.
- Pour éviter le risque que des enfants restent enfermés à l'intérieur et s'asphyxient, ne pas les laisser jouer ou se cacher dans le réfrigérateur.
- Si le cordon d'alimentation est endommagé, il doit être remplacé par le fabricant ou son technicien d'entretien ou une personne présentant une qualification similaire.

## CONSERVEZ CES INSTRUCTIONS

Avertissements de la proposition 65 de l'État de Californie :

**AVERTISSEMENT :** Ce produit contient au moins un produit chimique connu par l'État de Californie pour être à l'origine de cancers.

**AVERTISSEMENT :** Ce produit contient au moins un produit chimique connu par l'État de Californie pour être à l'origine de malformations et autres déficiences de naissance.

## Mise au rebut du vieux réfrigérateur

### **⚠️ AVERTISSEMENT**

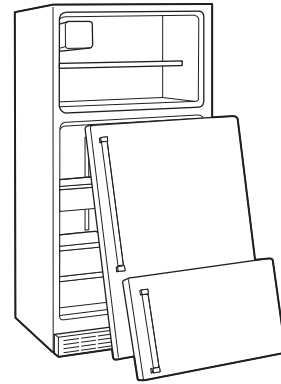
#### Risque de suffoquer

**Enlever les portes de votre vieux réfrigérateur.  
Le non-respect de cette instruction peut causer  
un décès ou des lésions cérébrales.**

**IMPORTANT :** Le risque qu'un enfant puisse se retrouver coincé et suffoquer n'est pas chose du passé. Les réfrigérateurs jetés ou abandonnés restent dangereux, même s'ils ne restent à l'extérieur que pour "quelques jours seulement". Si l'ancien réfrigérateur doit être mis au rebut, suivre les instructions suivantes afin d'éviter les accidents.

#### **Avant de jeter l'ancien réfrigérateur ou congélateur :**

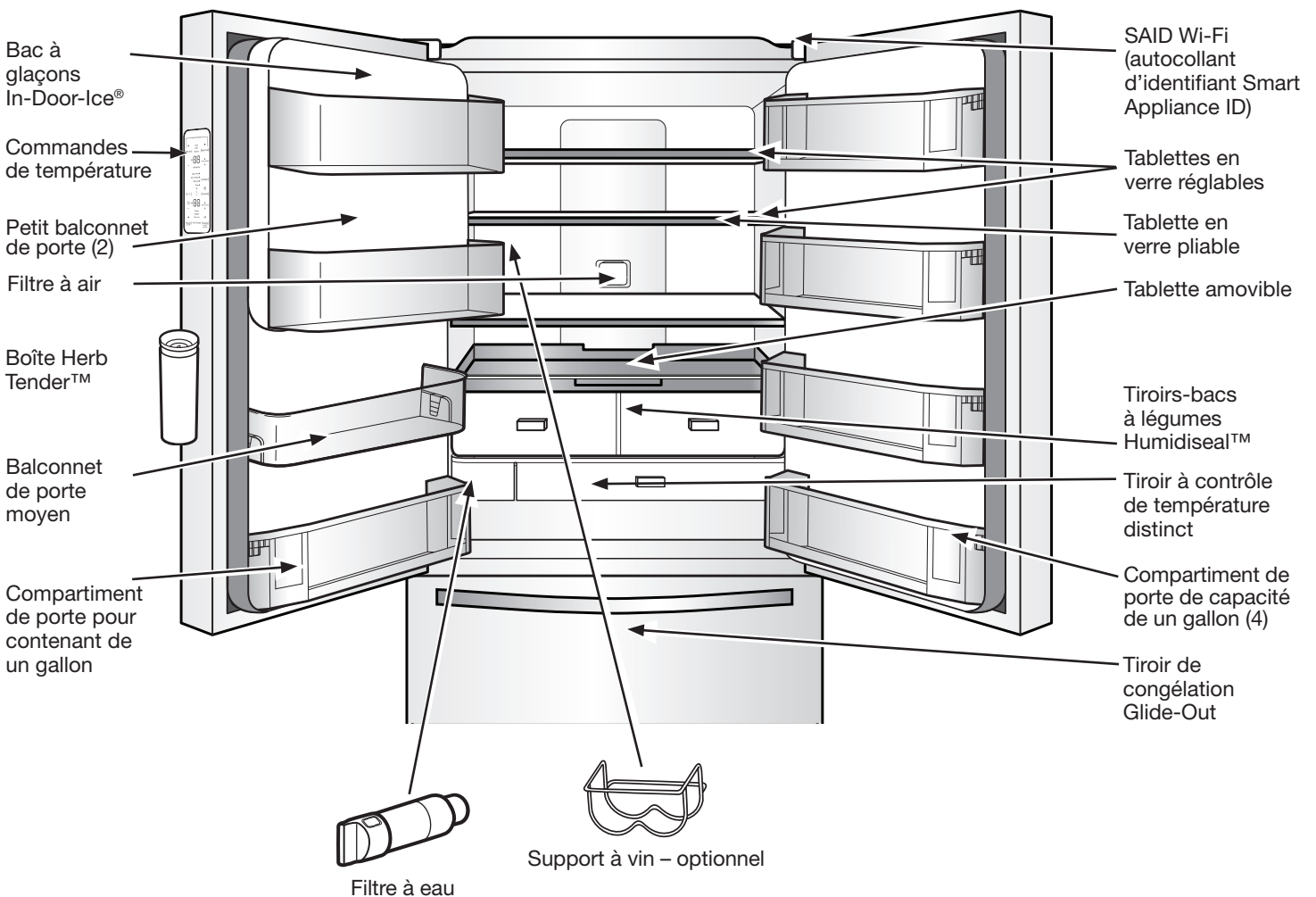
- Enlever les portes.
- Laisser les tablettes en place de sorte que les enfants ne puissent pas y pénétrer facilement.



#### **Renseignements importants à propos de la mise au rebut des fluides réfrigérants :**

Mettre le réfrigérateur au rebut conformément à la réglementation fédérale et locale. Les fluides réfrigérants doivent être évacués par un technicien certifié et agréé par l'EPA conformément aux procédures établies.

## PIÈCES ET CARACTÉRISTIQUES



## Quoi de neuf en coulisse?

Votre réfrigérateur JennAir® avec porte à double battant est équipé de plusieurs caractéristiques innovantes concernant l'entreposage et la fonction éconergique.

### Intérieur obsidienne

Cet intérieur spectaculaire met en valeur les produits alimentaires partout dans le réfrigérateur, et offre un contraste plus marqué que les intérieurs blancs. Coordination des tiroirs-bacs à légumes et du congélateur comprise.

### Consommation d'énergie et bruits de fonctionnement normaux

Votre nouveau réfrigérateur à double battant avec porte double et congélateur en bas possède un compresseur linéaire qui offre une consommation éconergique optimale et une régulation de la température plus efficace afin de pallier les besoins de refroidissement. Il est possible de remarquer qu'il fonctionne différemment de votre réfrigérateur précédent. Ceci permet au réfrigérateur de fonctionner à des vitesses variables et d'optimiser le refroidissement en évitant les démarrages/arrêts brusques.

### Bac à glaçons In-Door-Ice®

La machine à glaçons et le bac d'entreposage sont situés dans la porte pour permettre un accès facile aux glaçons tout en libérant de l'espace de tablettes à l'intérieur et en ajoutant des balconnets de porte supplémentaires pour offrir plus d'espace d'utilisation.

### Système de contrôle de la température Twin Fresh™

Le réfrigérateur et le congélateur sont munis d'évaporateurs séparés pour offrir une température d'entreposage optimale pour les aliments frais et congelés. L'environnement reste donc frais et humide pour les aliments frais et froid et sec pour les aliments congelés. Puisqu'il n'y a pas d'échange d'air entre les deux sections, il y a peu de transfert d'odeurs et de goûts du réfrigérateur vers le congélateur. De plus, l'air froid reste sec pour réduire la production de givre et limiter les brûlures de congélation.

### Filtre à air FreshFlow™

Un filtre à air est 15 fois plus puissant que le bicarbonate de soude pour réduire les odeurs courantes d'aliments à l'intérieur du réfrigérateur. Remplacer le filtre à air tous les 6 mois pour une réduction maximale des odeurs.

### Distributeur d'eau avec remplissage mesuré

La fonction de remplissage mesuré vous permet de distribuer une quantité désirée d'eau filtrée à coups de 8, 16 ou 24 oz.

### Distributeur d'eau avec remplissage préféré

La fonction Favorite Fill (remplissage préféré) permet d'enregistrer 2 préréglages personnalisés qu'il est possible de programmer pour les articles préférés qu'il faut souvent remplir comme une cafetière ou une bouteille d'eau.

### Tablette en verre pliable

Cette tablette spéciale offre une option de rangement flexible pour les articles de grande taille en se repliant à moitié pour libérer de l'espace.

### Tablette amovible

Cette tablette pleine largeur coulissante est parfaite pour les plats qui n'attendent que d'être servis ou les ingrédients qui nécessitent plus de préparation.

### Tiroir à contrôle électronique de température distinct

Ces tiroirs sont munis de commandes de température distinctes et précises avec quatre réglages spécialisés pour offrir un maximum de flexibilité.

### Boîte Herb Tender™

Cet accessoire amovible offre un espace pour aider à conserver les fines herbes fraîches.

### Tiroirs-bacs à légumes Humidiseal™

Ces tiroirs maintiennent un niveau d'humidité plus élevé que le compartiment principal du réfrigérateur, pour aider à garder les produits frais.

### Compartiment pour petits articles

Cet espace de rangement supplémentaire est parfait pour le beurre, le fromage à la crème ou les sachets de condiment ou de vinaigrette.

### Éclairage effet théâtral à DEL

De multiples bandes lumineuses à DEL situées à l'intérieur du compartiment réfrigérateur, du compartiment congélateur et des tiroirs intérieurs réduisent les ombres et répartissent uniformément la lumière partout dans le réfrigérateur.

### Technologie de fermeture automatique en douceur

Technologie qui permet de faire glisser tout en douceur les tiroirs et qui possède un système de fermeture automatique.

### Alarme de porte entrouverte

Une alarme retentit lorsque la porte du réfrigérateur ou du tiroir du congélateur est laissée ouverte.

### Témoin de coupure de courant

Si le courant est interrompu alors que vous êtes loin de votre domicile, ce témoin vous avertit du fait que l'alimentation électrique du réfrigérateur a été interrompue.

### Connexion Wi-Fi

Ce réfrigérateur peut se connecter au réseau Wi-Fi de votre domicile et être commandé à distance à l'aide d'une application téléchargeable pour appareils iOS ou Android.

### Symbole d'accueil

Cette fonction est automatiquement activée une fois l'appareil mis à disposition et enregistré. Une pression sur le bouton [Connect (connecter)] désactive temporairement la fonction.



Pour visionner une vidéo expliquant comment enlever/remettre en place une porte, ajuster une porte, installer un filtre à eau ou à air, positionner ou retirer une tablette et effectuer une connexion Wi-Fi (le cas échéant), balayer le code de gauche à l'aide de votre appareil mobile.



# POUR COMMENCER

## LISTE DE VÉRIFICATION POUR L'INSTALLATION

### ✓Alimentation électrique

## ⚠ AVERTISSEMENT



### Risque de choc électrique

**Brancher sur une prise à 3 alvéoles reliée à la terre.**

**Ne pas enlever la broche de liaison à la terre.**

**Ne pas utiliser un adaptateur.**

**Ne pas utiliser un câble de rallonge.**

**Le non-respect de ces instructions peut causer un décès, un incendie ou un choc électrique.**

- Brancher le réfrigérateur sur une prise à 3 alvéoles reliée à la terre.

### ✓ Portes

- Si les portes doivent être retirées lors de l'installation, se reporter à la section "Retirer et remplacer les portes" des instructions.
- S'assurer que les poignées sont bien fixées et installées selon les instructions.
- Les portes ferment complètement hermétiquement.
- Le réfrigérateur est de niveau. (retirer la grille de la base et ajuster les pieds de nivellement de façon à ce qu'ils soient en contact avec le plancher).
- Les portes sont alignées à leurs rives supérieures. (Utiliser la fonction d'ajustement de la porte au besoin).
- La grille de la base est convenablement fixée au réfrigérateur.

### ✓ Système de glaçons et d'eau (sur certains modèles)

- Raccorder le réfrigérateur à une canalisation d'alimentation en eau froide avec pression de 20 à 120 psi comme spécifié dans les instructions.
- S'assurer que l'alimentation en eau courante est OUVERTE.
- S'assurer que la canalisation d'alimentation en eau, située derrière le réfrigérateur, n'est pas déformée.
- N'utiliser que la canalisation d'alimentation en eau recommandée (cuivre ou PEX) conformément aux instructions.
- Installer le filtre à eau conformément aux instructions.
- Rincer le système de distribution d'eau à l'aide de 3 gallons (11,4 L) d'eau, conformément aux instructions.
- Vérifier l'absence de fuites au niveau de chaque raccord.
- Mettre en marche la machine à glaçons si le réfrigérateur est raccordé à l'alimentation en eau. (Éteindre la machine à glaçons s'il n'est pas raccordé à une canalisation d'arrivée d'eau.)

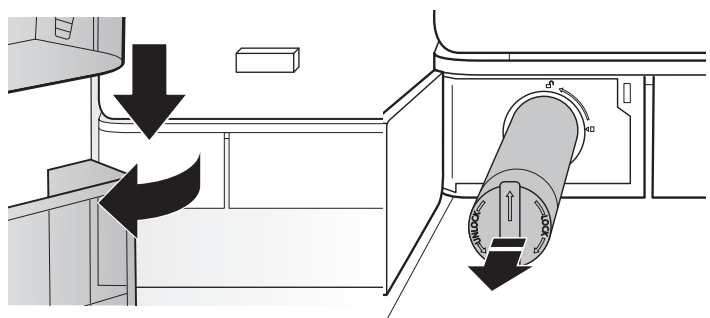
### ✓ Dernières vérifications

- Installer le filtre à air conformément aux instructions dans les emballages correspondants.
- Retirer tout l'emballage d'expédition.
- Régler les commandes de température aux réglages recommandés.
- Conserver les instructions et autres documents éventuels.
- Envoyer la carte d'enregistrement ou enregistrer le produit en ligne.

## INSTALLATION DU FILTRE À EAU

- Repérer le compartiment du filtre à eau sur le côté gauche inférieur du réfrigérateur. Appuyer sur le côté droit de la porte du filtre pour l'ouvrir.
- Aligner la flèche sur le capuchon du filtre à eau avec l'encoche du logement du filtre et insérer le filtre dans le logement.
- Après l'avoir inséré, tourner le filtre dans le sens horaire de 90° (1/4 tour) jusqu'à ce qu'il s'emboîte dans le logement.
- Refermer la porte du filtre à eau pour la verrouiller.
- Rincer le système de distribution d'eau à l'aide de 3 gallons (11,4 L) d'eau pour évacuer l'air de la canalisation d'eau et pour empêcher le distributeur de goutter ou de réduire le débit du distributeur.

**REMARQUE :** Si le filtre n'est pas installé correctement, le débit d'eau sera plus faible et la production de glaçons plus lente. La mauvaise installation d'un filtre peut aussi laisser fuir le compartiment du filtre.



## ALIGNEMENT DES PORTES

### Outillage nécessaire

En fonction de la largeur de l'ouverture de la porte, les outils suivants s'avéreront peut-être nécessaires pour retirer, réinstaller et aligner les portes du réfrigérateur.

### Outils nécessaires :

- Clé hexagonale de 1/4 po – grille de la base, vis du tiroir du congélateur et pieds de nivellement/freins

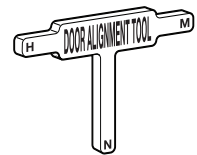
### Outil fourni :

- Clé à tête hexagonale de 1/8 po – Vis de blocage de la poignée et d'alignements des portes

### Instructions d'utilisation des outils d'alignement de portes

### Caractéristiques :

- Crée un espace parfaitement horizontal entre les portes du réfrigérateur.
- Résout les problèmes d'alignement des portes pendant l'installation et améliore l'étanchéité des portes.



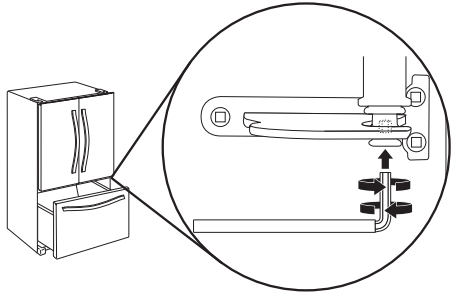
### Alignement des portes du réfrigérateur

#### ✓ Si les portes ne sont pas bien alignées.

- Vérifier que le réfrigérateur est d'aplomb.
- Tout en gardant les deux portes du réfrigérateur fermées, retirer le tiroir du congélateur. Repérer l'axe de charnière inférieure de la porte de droite du réfrigérateur. La vis d'alignement se trouve à l'intérieur de l'axe de la charnière inférieure.
- Introduire l'extrémité courte de la clé à tête hexagonale de 1/8 po (jointe aux instructions d'installation de la poignée de porte) dans l'axe de la charnière inférieure jusqu'à ce qu'elle soit complètement engagée dans la vis d'alignement.

Pour soulever la porte du réfrigérateur, tourner la clé à tête hexagonale vers la droite.  
 Pour abaisser la porte, tourner la clé à tête hexagonale vers la gauche.

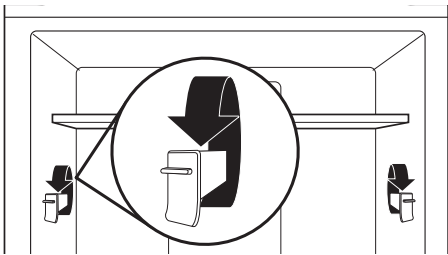
- Continuer à tourner la vis d'alignement jusqu'à ce que le dessus de la porte soit aligné.



### Réglage de la hauteur de tablettes

La hauteur de tablette peut être ajustée en repositionnant les supports ajustables de tablettes sur leurs axes vertical et horizontal.

- Retirer doucement la tablette en la soulevant de ses supports, puis tourner la languette selon l'orientation souhaitée.
- Répéter l'opération pour les supports de tablette restants.
- Vous assurer que la tablette est convenablement remise en place sur ses supports.



## MODE DE CONSOMMATION RÉDUITE D'ÉNERGIE ET BRUITS DE FONCTIONNEMENT NORMAUX

Votre nouveau réfrigérateur avec porte à double battant et congélateur en bas est conçu pour un niveau éconergique optimal et une régulation de la température plus efficace afin de pallier les besoins de refroidissement.

Vous remarquerez peut-être qu'il fonctionne différemment de votre réfrigérateur précédent.

Il est normal que le compresseur haute efficacité fonctionne à vitesse variable pendant une durée prolongée, et ce, afin de consommer uniquement le niveau d'énergie nécessaire à une efficacité maximale.

D'autre part, au cours de différentes étapes du programme de refroidissement, des bruits de fonctionnement normaux qui ne vous sont pas familiers peuvent être entendus.

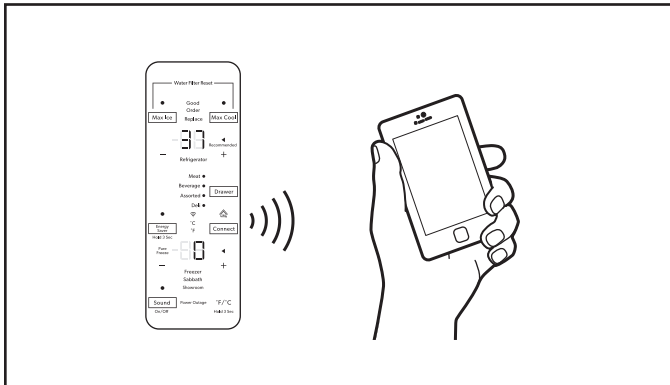
### Mode Energy Saver (économie d'énergie)

Il s'agit d'une fonction sélectionnable qui permet de désactiver les éléments chauffants autour des portes du réfrigérateur et du distributeur. Lorsque cette fonction est activée, de la condensation peut se former sur la façade avant du réfrigérateur, sur le joint ou au-dessus du tiroir du congélateur. Les économies réalisées peuvent varier en fonction de l'humidité relative de l'environnement.

## CARACTÉRISTIQUES DE CONNEXION DU RÉFRIGÉRATEUR (sur certains modèles)

La connectabilité Wi-Fi permet au réfrigérateur intelligent de se connecter à Internet et d'interagir avec l'application JennAir® sur votre téléphone intelligent ou appareil mobile. Cette connexion ouvre plusieurs options intelligentes pour l'utilisateur : des options conçues pour économiser du temps précieux et de l'énergie. Consulter la section "Dépannage – modèles avec connexion" de ce guide d'utilisation et d'entretien, vérifier les instructions de connexion de votre routeur ainsi que les instructions alternatives au [www.jennair.com/connect](http://www.jennair.com/connect) ou composer le **1 877 559-2603**.

**REMARQUE :** Connexion Wi-Fi et création d'un compte requis. Les fonctions de l'application peuvent changer. Assujetti aux conditions disponibles au [www.jennair.com/connect](http://www.jennair.com/connect). Des frais de transfert de données peuvent s'appliquer.



## FONCTIONS INTELLIGENTES

Les fonctions intelligentes aident à rendre la vie de tous les jours plus simple en laissant la possibilité à l'utilisateur de surveiller, gérer et entretenir son réfrigérateur à distance.

### Commande de la température à distance

**Description :** Permet de commander le réfrigérateur à distance à partir de l'application JennAir installée sur un appareil mobile.

**Avantages :** Permet de régler la température du réfrigérateur, du congélateur et du garde-manger à distance, pas seulement en se tenant près de l'appareil.

### État du filtre à eau

**Description :** Permet de connaître l'autonomie restante du filtre à eau avant qu'un remplacement soit nécessaire. Permet de réinstaller le filtre.

**Avantages :** Aide à planifier de façon plus efficace la commande de filtres neufs et leur remplacement.

### Application de renouvellement automatique

**Description :** L'application JennAir permet de commander des filtres de rechange, des pièces consommables et des accessoires pour une livraison directement à domicile.

**Avantages :** Simplifie la commande de filtres à eau et à air appropriés (plus besoin d'aller chercher les filtres corrects dans un magasin).

## Avertissement de porte entrouverte

**Description :** Envoie une notification lorsqu'une des portes du réfrigérateur n'a pas été refermée.

**Avantages :** Informe l'utilisateur qu'une porte est entrouverte pour qu'il puisse la fermer ou appeler à la maison pour que quelqu'un d'autre ferme la porte avant qu'un problème de température ne se produise.

## Alertes de coupure de courant

**Description :** Envoie une notification en cas de panne d'alimentation du réfrigérateur, lorsque la panne est terminée et lorsque des températures élevées sont atteintes dans les compartiments réfrigérateur et congélateur pendant la panne de courant.

**Avantages :** Informe l'utilisateur de l'état de l'alimentation et de la durée de la panne pour offrir des données concernant l'état du contenu du réfrigérateur et du congélateur.

## Dépassement de la température

**Description :** Envoie une notification lorsque la température du réfrigérateur augmente et atteint une valeur supérieure à la valeur spécifiée dans les compartiments réfrigérateur et congélateur.

**Avantages :** Informe l'utilisateur de l'état de température excessive pour offrir des données concernant l'état du contenu du réfrigérateur/congélateur.

## Refroidissement maximal

**Description :** Permet de commander le réfrigérateur à distance à partir de l'application JennAir installée sur un appareil mobile.

**Avantages :** Permet de mettre en marche et d'arrêter l'option de refroidissement maximal pour abaisser la température du réfrigérateur en vue d'ajouter de nouveaux aliments. Abaisse la température pendant 24 heures.

## Production de glaçons maximale

**Description :** Permet de commander le congélateur à distance à partir de l'application JennAir installée sur un appareil mobile.

**Avantages :** Permet de mettre en marche et d'arrêter l'option de production de glaçons maximale pour augmenter la production de glaçons. Utilise le plus bas réglage de température possible pendant 24 heures pour maximiser la production de glaçons.

## Contrôle du mode Pure Freeze®

**Description :** Permet de recevoir l'état du réfrigérateur à distance sur l'application JennAir installée sur un appareil mobile.

**Avantages :** Indique si le mode Pure Freeze® est actif dans le réfrigérateur pour réduire les brûlures de congélation et faire en sorte que les aliments congelés conservent leur apparence et leur goût.

## Mode Sabbat

**Description :** Permet d'ouvrir la porte du réfrigérateur ou du congélateur pendant le Sabbat ou une autre fête religieuse sans activer les commandes ou l'éclairage intérieurs. Permet de l'activer et de le désactiver à distance à partir de l'application JennAir installée sur un appareil mobile.

**Avantages :** Permet de mettre en marche et d'arrêter à distance l'option du mode Sabbat.

## Commande de luminosité d'éclairage du distributeur

**Description :** Permet de commander le réfrigérateur à distance à partir de l'application JennAir installée sur un appareil mobile.

**Avantages :** Permet de mettre en marche et d'arrêter à distance l'éclairage du distributeur.

## Commande de remplissage préféré

**Description :** Permet de modifier à distance les valeurs de la fonction Favorite Fill (remplissage préféré) du réfrigérateur, à partir de l'application JennAir installée sur un appareil mobile.

**Avantages :** Permet de définir et d'enregistrer à distance les valeurs de la fonction Favorite Fill (remplissage préféré).

## PREMIERS PAS

Consulter le kit Quick Connect (connexion rapide) fourni avec le réfrigérateur ou le site [www.jennair.com/connect](http://www.jennair.com/connect) et se conformer aux instructions de connexion.

Consulter régulièrement l'application JennAir pour obtenir des renseignements et des fonctions supplémentaires.

Connexion Wi-Fi et création d'un compte requis. Les fonctions de l'application peuvent changer. Assujetti aux conditions décrites au : [www.jennair.com/connect](http://www.jennair.com/connect). Des frais de transfert de données peuvent s'appliquer.

# CONFIGURATION DE LA CONNECTABILITÉ

(sur certains modèles)

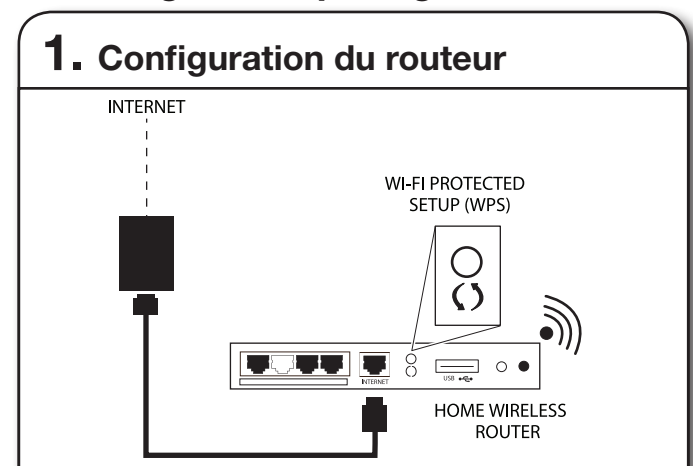
**IMPORTANT :** Il est de la responsabilité de l'utilisateur de bien installer le réfrigérateur avant de l'utiliser. Bien lire et suivre le guide d'utilisation qui accompagne le réfrigérateur.

## Instructions de configuration automatique – Configuration protégée Wi-Fi

Il faut :

- Un routeur sans fil domestique avec protocole Configuration protégée Wi-Fi. Le routeur devra être en marche et connecté à l'Internet.
- L'identifiant Smart Appliance Identification Number (SAID) de ce réfrigérateur. L'identifiant figure sur l'autocollant appliqué sur la partie avant du couvercle de la charnière de droite du réfrigérateur.

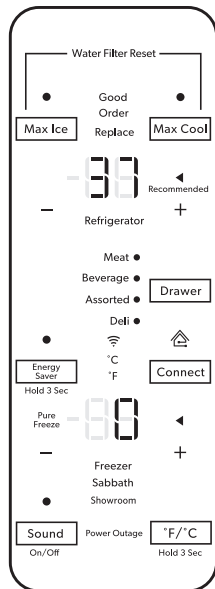
**REMARQUE :** Si votre routeur sans fil domestique n'est pas muni d'un bouton de configuration protégée Wi-Fi, consulter le manuel d'utilisation du routeur pour confirmer qu'il peut utiliser ce protocole. Si ce n'est pas le cas, utiliser les instructions de configuration alternative proposées au [www.jennair.com/connect](http://www.jennair.com/connect).



Appuyer sur le bouton de configuration protégée Wi-Fi du routeur. Un témoin lumineux clignotera.

**CONSEIL UTILE :** Cette fonction de votre routeur s'active pendant 2 minutes. Il est important d'effectuer la prochaine étape dans cette période pour ne pas devoir recommencer cette procédure.

## 2. Configuration du réfrigérateur (étape avec temps limité)



Dans l'écran d'accueil, appuyer sur le bouton Connect (connecter) pendant 3 secondes.

Le témoin d'état de connexion Wi-Fi (☼) de la commande du réfrigérateur clignotera lentement pendant le processus de connexion entre le réfrigérateur et le routeur.

Si la connexion réussit, le témoin d'état de connexion Wi-Fi cesse de clignoter pour rester allumé.

### Si la connexion échoue :

Si la connexion entre le réfrigérateur et le routeur échoue après 2 minutes, l'indicateur d'état de connexion Wi-Fi clignotera rapidement pendant 5 secondes puis s'éteindra. Consulter la section "Dépannage – modèles avec connexion" de ce guide d'utilisation et d'entretien, vérifier les instructions de connexion de votre routeur ainsi que les instructions alternatives au [www.jennair.com/connect](http://www.jennair.com/connect) ou composer le **1 877 559-2603**.

**REMARQUE :** S'il s'agit de votre premier appareil Smart Appliance, le téléchargement de l'application JennAir et la création d'un compte d'utilisateur en ligne seront nécessaires.

S'il ne s'agit pas de votre premier appareil Smart Appliance, passer à l'étape 4 "Enregistrer votre appareil dans votre compte d'utilisateur".

Pour déconnecter la Wi-Fi, appuyer sur le bouton Connect (connecter) entre 7 et 15 secondes, les icônes <Wi-Fi> et <maison> s'éteignent, indiquant que le Wi-Fi est désactivé.

Dans l'écran d'accueil, appuyer sur le bouton Connect (connecter) pendant 3 secondes pour reconnecter le Wi-Fi.

Le témoin d'état de connexion Wi-Fi (☼) de la commande du réfrigérateur clignotera lentement pendant le processus de connexion entre le réfrigérateur et le routeur.

Si la connexion réussit, le témoin d'état de connexion Wi-Fi cesse de clignoter pour rester allumé.

Pour déconnecter le réfrigérateur du routeur, appuyer sur CONNECT (connecter) pendant plus de 15 secondes. Les icônes <Wi-Fi> et <maison> s'éteignent indiquant que le réfrigérateur est complètement déconnecté du Wi-Fi et du routeur.

Pour reconnecter le réfrigérateur au routeur et reconnecter le Wi-Fi, appuyer sur CONNECT (connecter) pendant 3 secondes dans l'écran d'accueil.

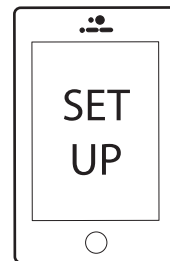
Le témoin d'état de connexion Wi-Fi (☼) de la commande du réfrigérateur clignotera lentement pendant le processus de connexion entre le réfrigérateur et le routeur.

Si la connexion réussit, le témoin d'état de connexion Wi-Fi cesse de clignoter pour rester allumé.

Appuyer sur le bouton de configuration protégée Wi-Fi du routeur. Un témoin lumineux clignotera.

**CONSEIL UTILE :** Cette fonction de votre routeur s'active pendant 2 minutes. Il est important d'effectuer la prochaine étape dans cette période pour ne pas devoir recommencer cette procédure.

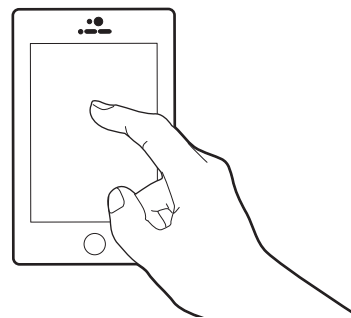
## 3. Téléchargement de l'application JennAir et configuration du compte d'utilisateur



À l'aide de votre appareil mobile, téléphone intelligent ou tablette, visiter le [www.jennair.com/connect](http://www.jennair.com/connect) et suivre les instructions de téléchargement et d'installation de l'application JennAir.

Une fois installée, toucher l'icône de l'application JennAir pour l'ouvrir. Suivre les étapes de configuration du compte d'utilisateur. L'application s'assure d'obtenir les renseignements personnels et du domicile nécessaires, ainsi que les renseignements au sujet de votre fournisseur d'électricité.

## 4. Enregistrement de votre réfrigérateur dans votre compte d'utilisateur



Il est nécessaire d'enregistrer le réfrigérateur dans son compte d'utilisateur pour tirer plein avantage des fonctions intelligentes. Lorsque l'application le demande, enregistrer l'identifiant SAID (sensible à la case) inscrit sur un autocollant situé sur le côté avant du couvercle de charnière droit du réfrigérateur.

Mon identifiant Smart Appliance est :

- Le témoin d'état de connexion Wi-Fi de la commande du réfrigérateur clignotera lentement pendant le processus de connexion entre le réfrigérateur et le routeur.
- Noter que ce clignotement ne se produit que lors du premier enregistrement après la mise à disposition. Aucun clignotement ne se produit pendant la reconnexion automatique une fois la connexion établie.
- Une fois le réfrigérateur connecté au réseau Wi-Fi domestique, la connexion restera active même si une panne de courant se produit, l'appareil est déplacé ou l'appareil est entreposé pour une longue période.
- Le processus de connexion devra être répété en cas de remplacement du routeur ou d'achat d'un nouveau réfrigérateur intelligent.

# INSTRUCTIONS D'INSTALLATION

## Déballage du réfrigérateur

### **⚠ AVERTISSEMENT**

#### Risque du poids excessif

Utiliser deux ou plus de personnes pour déplacer et installer le réfrigérateur.

Le non-respect de cette instruction peut causer une blessure au dos ou d'autre blessure.

### Livraison du réfrigérateur

- Une ouverture de porte minimum de 33 po (838 mm) est nécessaire. Si l'ouverture est inférieure ou égale à 36 po (914 mm), il faudra enlever les portes, tiroirs et charnières.
- Pousser le chariot avec le réfrigérateur de côté pour toutes les ouvertures de porte.

### Déplacement de votre réfrigérateur :

Votre réfrigérateur est lourd. Lors du déplacement de votre réfrigérateur pour le nettoyage ou un entretien ou réparation, veiller à recouvrir le plancher avec du carton ou un panneau de fibres dures pour éviter qu'il ne subisse tout dommage. Toujours tirer le réfrigérateur tout droit lors de son déplacement. Ne pas incliner le réfrigérateur d'un côté ou de l'autre ni le "faire marcher" en essayant de le déplacer car le plancher pourrait être endommagé.

### Retrait des matériaux d'emballage

- Enlever tout résidu de ruban adhésif et de colle des surfaces du réfrigérateur avant de le mettre en marche. Frotter une petite quantité de savon liquide à vaisselle sur l'adhésif avec les doigts. Rincer à l'eau tiède et sécher.
- Ne pas utiliser d'instruments coupants, d'alcool à friction, de liquides inflammables ou de nettoyeurs abrasifs pour enlever le ruban adhésif ou la colle. Ces produits peuvent endommager la surface du réfrigérateur.
- Éliminer/recycler tous les matériaux d'emballage.

### Nettoyage avant utilisation

Après avoir enlevé tous les matériaux d'emballage, nettoyer l'intérieur du réfrigérateur avant de l'utiliser. Voir les instructions de nettoyage dans la section "Entretien du réfrigérateur".

### Importants renseignements à savoir au sujet des tablettes et des couvercles en verre :

Ne pas nettoyer les tablettes ou couvercles en verre avec de l'eau tiède quand ils sont froids. Les tablettes et les couvercles peuvent se briser s'ils sont exposés à des changements soudains de température ou à un impact tel que coup brusque. Le verre trempé est conçu pour éclater en d'innombrables pièces minuscules. Ceci est normal. Les tablettes et les couvercles en verre sont lourds. Les saisir à deux mains lors de leur dépose afin d'éviter de les faire tomber.

## Exigences d'emplacement

### **⚠ AVERTISSEMENT**



#### Risque d'explosion

Garder les matériaux et les vapeurs inflammables, telle que l'essence, loin du réfrigérateur.

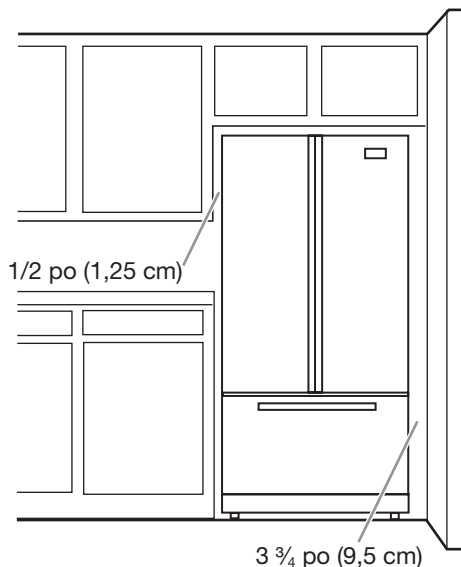
Le non-respect de cette instruction peut causer un décès, une explosion ou un incendie.

**IMPORTANT :** Cet appareil est destiné à un usage domestique et à d'autres usages similaires tels que :

- espace de cuisine pour personnel de boutiques, bureaux et autres environnements professionnels,
- résidences fermières et utilisation par les clients d'hôtels, de motels et d'autres types de résidences,
- environnements de type chambres d'hôtes,
- Banquets et autres utilisations non commerciales semblables.

Pour obtenir une aération appropriée pour ce réfrigérateur, laisser un espace minimum de 1/2 po (1,25 cm) de chaque côté et au sommet. Laisser un espace maximum de 1 po (2,54 cm) derrière le réfrigérateur. Si le réfrigérateur comporte une machine à glaçons, s'assurer qu'un espace additionnel est prévu à l'arrière pour permettre les raccordements des conduits d'eau. En cas d'installation du réfrigérateur près d'un mur fixe, laisser un minimum de 3 3/4 po (9,5 cm) entre le réfrigérateur et le mur pour permettre à la porte de s'ouvrir sans obstruction.

**REMARQUE :** Ce réfrigérateur est conçu pour être utilisé dans un endroit où la température est comprise entre un minimum de 55 °F (13 °C) et un maximum de 110 °F (43 °C). La plage de température ambiante idéale pour un rendement optimal est comprise entre 60 °F (15 °C) et 90 °F (32 °C). Respecter cette plage de température permet aussi de réduire la consommation d'électricité et d'optimiser l'efficacité du refroidissement. Il est recommandé de ne pas installer le réfrigérateur près d'une source de chaleur comme un four ou un radiateur.



## Retrait et réinstallation des portes du réfrigérateur

**REMARQUE :** En fonction de la largeur de l'ouverture de la porte de la maison, il faudra peut-être retirer les portes du réfrigérateur pour pouvoir introduire le réfrigérateur dans le domicile. Si les portes du réfrigérateur doivent être retirées, consulter les instructions suivantes.

**IMPORTANT :** Si le réfrigérateur était déjà installé et qu'il doit être déplacé hors de votre domicile, effectuer d'abord les opérations suivantes : Fermer la commande du réfrigérateur. Débrancher le réfrigérateur ou déconnecter la source de courant électrique. Retirer les aliments et les balconnets de la porte du réfrigérateur.

Rassembler les outils nécessaires et lire toutes les instructions avant de retirer les portes.

**OUTILS NÉCESSAIRES:** Tournevis TORX T25<sup>†</sup> et tournevis cruciforme no 2



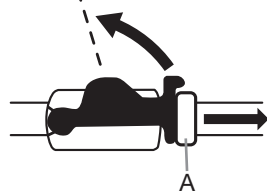
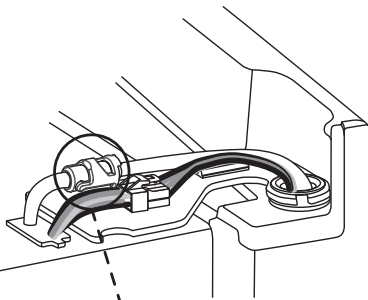
### ⚠ AVERTISSEMENT

Risque de choc électrique

Déconnecter la source de courant électrique avant d'enlever les portes.

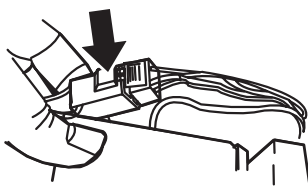
Le non-respect de cette instruction peut causer un décès ou un choc électrique.

#### Raccord de tuyau du distributeur d'eau

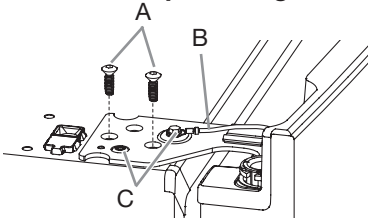


A. Bague externe

#### Fiche de câblage

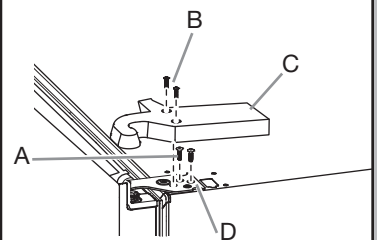


#### Charnière supérieure gauche



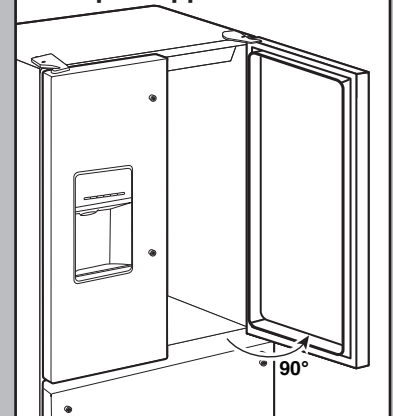
- A. Vis TORX T25
- B. Conducteur de mise à la terre (ne pas retirer)
- C. Ne pas retirer les vis

#### Charnière supérieure droite



- A. Vis TORX T25
- B. Vis du couvre-charnière
- C. Couvre-charnière supérieur
- D. Charnière supérieure

#### Porte formant un angle de 90° par rapport à la caisse



<sup>†</sup>TORX et T25 sont des marques déposées de Acument Intellectual Properties, LLC.

## **⚠ AVERTISSEMENT**

### **Risque du poids excessif**

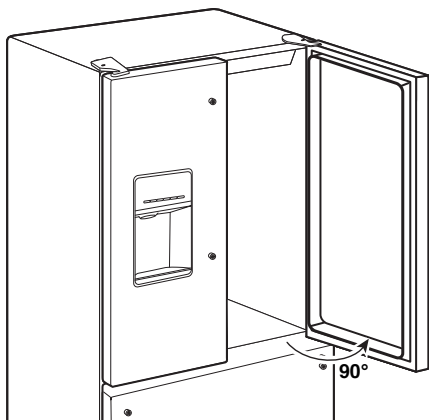
Utiliser deux ou plus de personnes pour déplacer et installer le réfrigérateur.

Le non-respect de cette instruction peut causer une blessure au dos ou d'autre blessure.

### **Charnière inférieure de la porte**

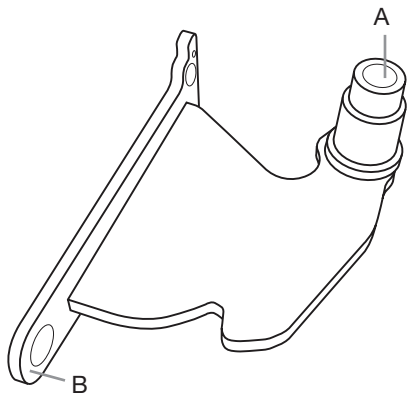
Pour plus de commodité, les portes du réfrigérateur comportent des charnières inférieures avec ferme-porte. Ces ferme-porte permettent aux portes de se fermer complètement d'un simple toucher.

**IMPORTANT :** Pour que la fonction de ferme-porte fonctionne correctement, les portes doivent être retirées uniquement lorsqu'elles sont ouvertes à un angle de 90° par rapport à la partie avant du placard. Si l'une ou l'autre des portes n'était pas à un angle de 90° lors de la dépose, la charnière de porte inférieure doit être réinitialisée.



### **Réinitialisation de la charnière de porte**

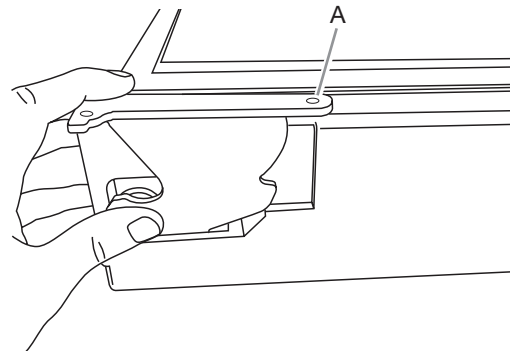
1. Soulever la porte hors de la charnière inférieure et la placer sur une surface de niveau.
2. À l'aide d'un tournevis TORX T25, retirer la charnière inférieure avec le coussinet hors de la caisse du réfrigérateur.



A. Bague  
B. Base de la charnière

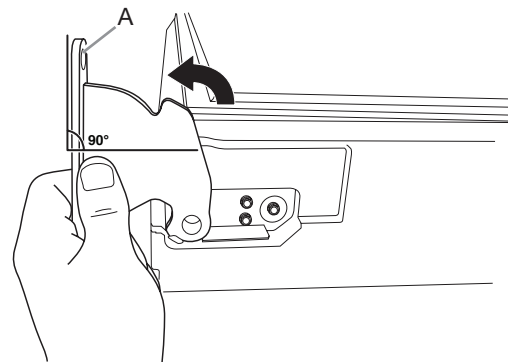
3. Insérer la charnière inférieure et le coussinet dans la fente correspondante dans le bas de la porte.

**REMARQUE :** S'assurer que la base de la charnière est parallèle au bas de la porte.



A. Base de la charnière parallèle au rebord inférieur de la porte

4. Tourner la charnière jusqu'à ce que la base de cette dernière soit à un angle de 90° par rapport au rebord inférieur de la porte.



A. Base de la charnière tournée à un angle de 90° par rapport au rebord inférieur de la porte

5. Retirer la charnière de la porte. À l'aide d'un tournevis TORX T25, fixer de nouveau la charnière inférieure au réfrigérateur.
6. La charnière est maintenant réinitialisée et prête pour la réinstallation de la porte. Consulter la section "Réinstallation des portes du réfrigérateur" plus loin dans cette section.

### **Retrait des portes du réfrigérateur**

## **⚠ AVERTISSEMENT**



### **Risque de choc électrique**

Déconnecter la source de courant électrique avant d'enlever les portes.

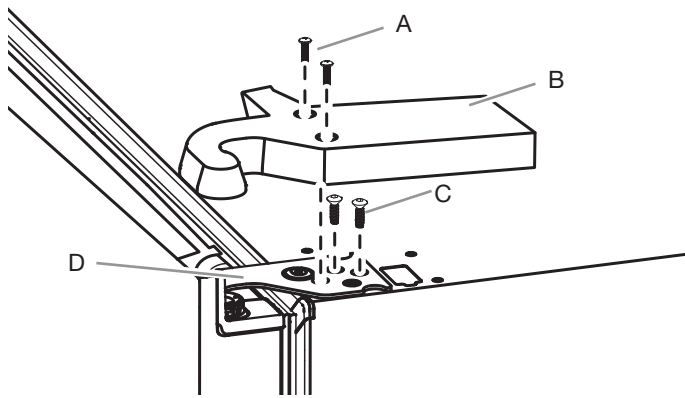
Le non-respect de cette instruction peut causer un décès ou un choc électrique.

### **Retrait de la porte de droite**

1. Débrancher le réfrigérateur ou déconnecter la source de courant électrique.
2. Laisser les portes du réfrigérateur fermées jusqu'au moment de les détacher de la caisse.

**REMARQUE :** Prévoir un support supplémentaire pour la porte du réfrigérateur pendant le retrait des charnières. La force d'attraction des aimants de la porte ne suffit pas à la maintenir en place pendant la manutention.

- À l'aide d'un tournevis cruciforme, retirer le couvre-charnière de la charnière supérieure.
- Avec le tournevis TORX T25, enlever les 2 vis de la charnière du haut et les conserver pour plus tard.



A. Vis du couvre-charnière supérieur A. Vis TORX T25  
B. Couvre-charnière supérieur D. Charnière supérieure

## ⚠ AVERTISSEMENT

### Risque du poids excessif

Utiliser deux ou plus de personnes pour soulever la porte du réfrigérateur.

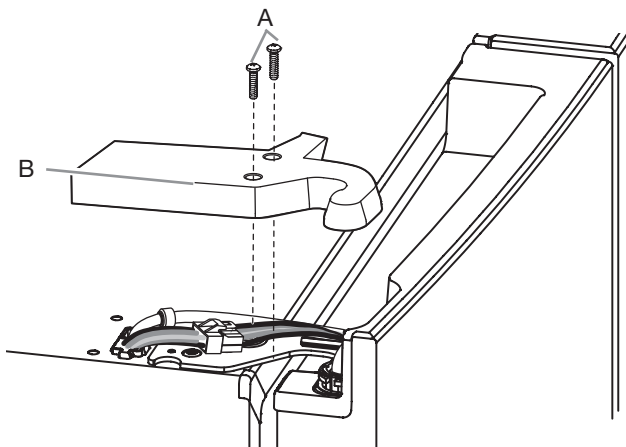
Le non-respect de cette instruction peut causer une blessure au dos ou d'autre blessure.

- Ouvrir la porte jusqu'à ce qu'elle soit à un angle de 90° par rapport à l'avant de la caisse.
- Soulever la porte du réfrigérateur de l'axe de la charnière inférieure. La charnière supérieure se dégage en même temps que la porte.

### Retrait de la porte de gauche

**IMPORTANT :** Étant donné que le raccordement de l'eau et le câblage électrique passent par la charnière de la porte de gauche, ils doivent être déconnectés avant de retirer la porte.

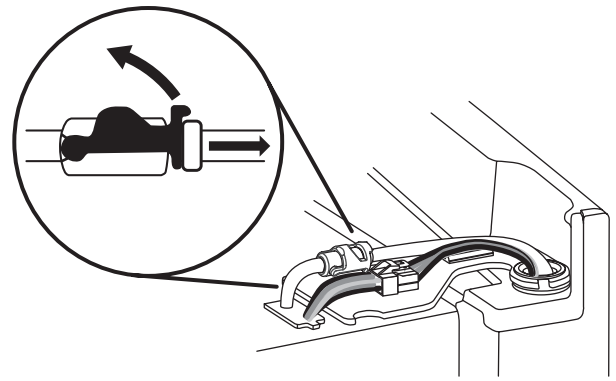
- À l'aide d'un tournevis à tête plate, retirer le couvre-charnière de la charnière supérieure.



A. Vis du couvre-charnière supérieur B. Couvre-charnière supérieur

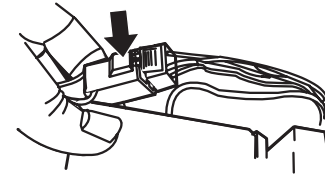
- Débrancher le tuyau du distributeur d'eau situé sur la charnière de la porte. Tirer fermement l'attache vers le haut. Tirer ensuite le tuyau hors du raccord.

**REMARQUE :** Le tuyau du distributeur d'eau reste fixé à la porte de gauche du réfrigérateur.



- Débrancher le câblage situé sur la charnière de la porte.
  - Saisir chaque côté de la fiche de câblage. Avec le pouce gauche, appuyer sur le loquet pour le dégager et écarter les deux sections de la fiche.

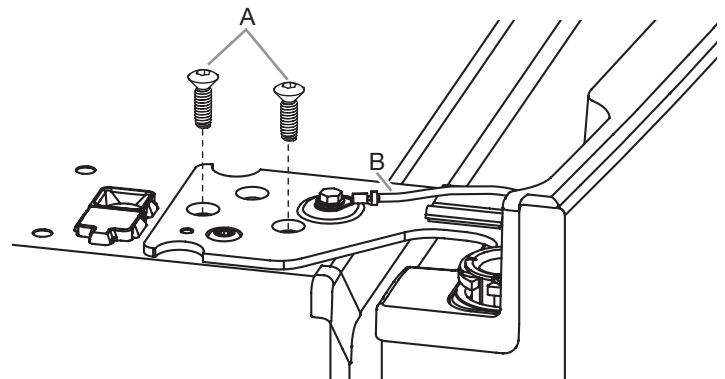
**REMARQUE :** Ne pas retirer le conducteur vert relié à la terre. Il doit rester fixé à la charnière de porte.



- Avec le tournevis TORX T25, enlever les 2 vis de la charnière du haut et les conserver pour plus tard.

### REMARQUES :

- Prévoir un support supplémentaire pour la porte du réfrigérateur pendant le retrait des charnières. La force d'attraction des aimants de la porte ne suffit pas à la maintenir en place pendant la manutention.



A. Vis TORX T25  
B. Conducteur de mise à la terre (ne pas retirer)

- Soulever la porte du réfrigérateur de l'axe de la charnière inférieure. La charnière supérieure se dégage en même temps que la porte.

**REMARQUE :** Il ne sera peut-être pas nécessaire d'enlever les charnières inférieures et les pieds de stabilisation pour faire passer le réfrigérateur dans un cadre de porte.

- Au besoin, utiliser un tournevis TORX T25 pour enlever la charnière du bas et les vis des pieds de stabilisation.



## Réinstallation de la porte de droite du réfrigérateur

1. Placer la porte de droite sur l'axe de charnière inférieure.
2. Insérer l'axe de charnière supérieure dans le trou béant du sommet de la porte du réfrigérateur.
3. À l'aide des 3 vis TORX T25, serrer la charnière à la caisse. Ne pas complètement serrer les vis.

## Réinstallation de la porte de gauche du réfrigérateur

**IMPORTANT :** Ne pas emmêler le tuyau d'eau et les faisceaux de câblage en les reconnectant.

1. Placer la porte de gauche sur l'axe de charnière inférieure.
2. À l'aide des 3 vis TORX T25, serrer la charnière à la caisse. Ne pas complètement serrer les vis.
3. Raccorder le tuyau du distributeur d'eau.

Enfoncer fermement le tuyau dans le raccord jusqu'à ce qu'il s'arrête. Fixer l'attache autour du tube. L'attache se fixe autour du raccord et du collier. Brancher les côtés femelle et mâle bleus, puis serrer. Répéter avec les côtés femelle et mâle gris.

4. Rebrancher le câblage.
  - Remboîter les deux sections de la fiche de câblage.

## Étapes finales

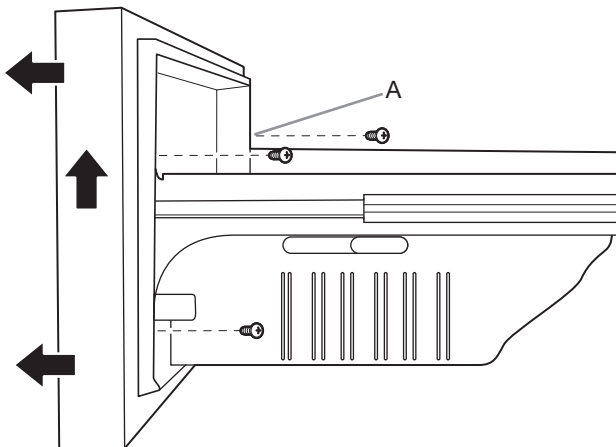
1. Serrer complètement les six vis internes TORX T25 (trois sur la charnière de la porte de droite et trois sur la charnière de la porte de gauche).
2. Réinstaller les deux couvre-charnières supérieurs.

## Retrait et remplacement de l'avant du tiroir de congélation

### Tiroir du congélateur

#### Retrait de l'avant du tiroir

1. Ouvrir complètement le tiroir de congélation.
2. Desserrer les deux vis supérieures fixant l'avant du tiroir aux glissières de tiroir. Les deux vis (une à gauche et une à droite) se trouvent à l'intérieur de l'avant du tiroir.
3. Retirer les deux vis situées au bas, à l'intérieur de l'avant du tiroir qui maintient l'avant du tiroir aux glissières du tiroir.
4. Soulever l'avant du tiroir pour dégager les vis des encoches de la patte de glissière du tiroir.

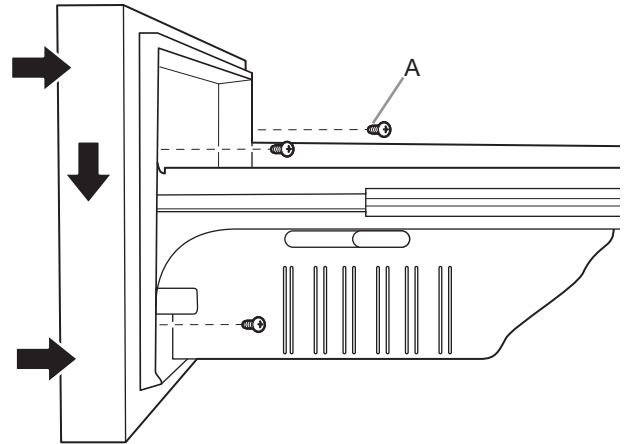


A. Encoches de la patte de glissière du tiroir

#### Réinstallation de l'avant du tiroir

1. Déployer complètement les glissières de tiroir du congélateur.
2. Tout en saisissant l'avant du tiroir par les côtés, aligner la vis du haut, située à l'intérieur de l'avant du tiroir, en bas, avec les encoches des supports de glissières de tiroir.

**REMARQUE :** Pour faciliter l'opération, une personne peut maintenir les glissières de tiroir en place pendant qu'une autre aligne l'avant du tiroir et insère les pitons dans les encoches.



A. Vis de l'avant du tiroir

3. Serrer les deux vis situées au sommet de l'avant du tiroir (une à gauche et une à droite) et installer les deux vis du bas.

## Étapes finales

### ⚠ AVERTISSEMENT



#### Risque de choc électrique

- Brancher sur une prise à 3 alvéoles reliée à la terre.**
- Ne pas enlever la broche de liaison à la terre.**
- Ne pas utiliser un adaptateur.**
- Ne pas utiliser un câble de rallonge.**
- Le non-respect de ces instructions peut causer un décès, un incendie ou un choc électrique.**

1. Brancher sur une prise de courant à 3 alvéoles, reliée à la terre.
2. Réinitialiser les commandes. Voir la section "Utilisation des commandes".
3. Replacer toutes les pièces amovibles et aliments dans les tiroirs.

## Spécifications électriques

### **⚠ AVERTISSEMENT**



#### Risque de choc électrique

**Brancher sur une prise à 3 alvéoles reliée à la terre.**

**Ne pas enlever la broche de liaison à la terre.**

**Ne pas utiliser un adaptateur.**

**Ne pas utiliser un câble de rallonge.**

**Le non-respect de ces instructions peut causer un décès, un incendie ou un choc électrique.**

Avant de placer le réfrigérateur à son emplacement final, il est important de s'assurer d'avoir le raccordement électrique approprié.

#### Méthode recommandée de liaison à la terre

Chaque appareil doit être alimenté par un circuit à 115 V CA à 60 Hz relié à la terre et protégé par un fusible de 15 A ou 20 A. On recommande que le réfrigérateur et les accessoires approuvés soient alimentés par un circuit indépendant. Utiliser une prise de courant dont l'alimentation ne peut pas être interrompue par un interrupteur. Ne pas utiliser de rallonge.

Si le cordon d'alimentation est endommagé, il doit être remplacé par le fabricant, son agent de service ou toute autre personne également qualifiée. Ne pas utiliser un cordon craquelé ou qui présente des dommages d'abrasion sur la gaine, la fiche ou le connecteur.

**IMPORTANT :** Si ce produit est connecté à une prise protégée par un disjoncteur de fuite à la terre, un déclenchement intempestif peut se produire et causer une perte de refroidissement. La qualité et la saveur des aliments risquent d'être affectées. Si un déclenchement intempestif se produit et si les aliments semblent de piètre qualité, jeter les aliments.

**REMARQUE :** Avant de procéder à tout type d'installation ou de nettoyage, fermer la commande de refroidissement comme illustré, puis déconnecter le réfrigérateur de la source d'alimentation. Une fois l'opération terminée, reconnecter le réfrigérateur à la source d'alimentation et ouvrir de nouveau la commande de refroidissement. Voir la section "Utilisation des commandes".

## Spécifications de l'alimentation en eau

Une alimentation en eau froide avec une pression entre 30 et 120 lb/po<sup>2</sup> (207 et 827 kPa) est nécessaire pour faire fonctionner le distributeur d'eau et la machine à glaçons.

**REMARQUE :** Si la pression en eau est inférieure aux critères minimaux, le débit du distributeur d'eau pourrait diminuer ou entraîner la formation de glaçons creux ou de forme irrégulière. Si vous avez des questions au sujet de la pression de votre eau, faire appel à un plombier qualifié agréé.

#### Alimentation en eau par osmose inverse

**IMPORTANT :** La pression de l'alimentation en eau entre le système d'osmose inverse et le robinet d'arrivée d'eau du réfrigérateur doit être entre 35 et 120 lb/po<sup>2</sup> (241 à 827 kPa).

Si un système de filtration de l'eau par osmose inverse est raccordé à l'alimentation en eau froide, la pression de l'eau au système doit être d'un minimum de 40 à 60 lb/po<sup>2</sup> (276 à 414 kPa).

- Vérifier que le filtre à sédiment dans le système à osmose inverse n'est pas obstrué. Remplacer le filtre si nécessaire.
  - Laisser le réservoir du système d'osmose inverse se remplir après une utilisation intense. La capacité du réservoir est peut-être trop faible pour répondre aux spécifications du réfrigérateur.
- REMARQUE :** Un système d'osmose inverse monté sur robinet est déconseillé.

- Si le réfrigérateur comporte un filtre à eau, celui-ci peut réduire la pression de l'eau lorsqu'il est utilisé avec un système d'osmose inverse. Enlever le filtre à eau. Consulter la section "Système de filtration de l'eau".

Pour toute question au sujet de la pression de l'eau, faire appel à un plombier qualifié agréé.

## Raccordement à la canalisation d'eau

Lire toutes les instructions avant de commencer.

#### IMPORTANT :

- Brancher sur une arrivée d'eau potable uniquement.

Ne pas utiliser pour le filtrage d'une eau microbiologiquement polluée ou de qualité inconnue en l'absence d'un dispositif de désinfection adéquat avant ou après le système. Les systèmes certifiés pour la réduction de kyste peuvent être utilisés pour l'eau désinfectée qui peut contenir des kystes filtrables.

- Réaliser l'installation de plomberie conformément aux prescriptions du International Plumbing Code et des normes et codes locaux en vigueur.
  - Il est possible d'utiliser des raccords en cuivre ou en polyéthylène réticulé pour le raccordement de la canalisation d'eau du domicile au réfrigérateur – ils contribuent à éviter que l'eau ait un goût ou une odeur désagréable. Vérifier qu'il n'y a pas de fuites.
- Si on utilise un tuyau en polyéthylène réticulé au lieu d'un tuyau de cuivre, nous recommandons les numéros de pièce suivants : W10505928RP (PEX chemisé de 7 pi [2,14 m]), 8212547RP (PEX de 5 pi [1,52 m]), ou W10267701RP (PEX de 25 pi [7,62 m]).
- Installer des tuyaux seulement là où les températures resteront au-dessus du point de congélation.

#### Outils nécessaires :

Rassembler les outils et pièces nécessaires avant d'entreprendre l'installation.

- Tournevis à lame plate
- Clés plates de 7/16 po et 1/2 po ou deux clés à molette
- Tourne-écrou de 1/4 po

**REMARQUE :** Ne pas employer de robinet d'arrêt à étrier de 3/16 po (4,76 mm) ou de type à percer, car cela réduit le débit d'eau et augmente le risque d'obstruction.

#### Raccordement à la canalisation d'eau

**IMPORTANT :** Si le réfrigérateur est mis en marche avant de raccorder la canalisation d'eau, mettre la machine à glaçons à l'arrêt.

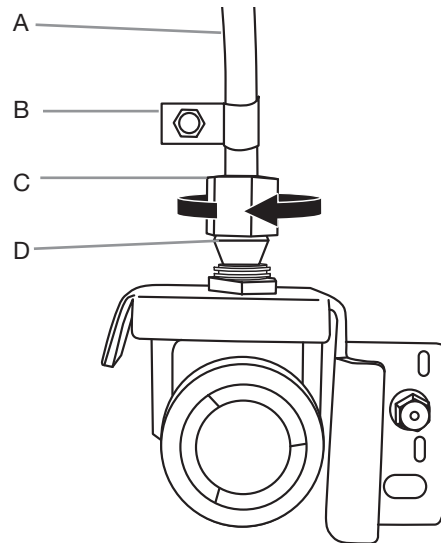
1. Débrancher le réfrigérateur ou déconnecter la source de courant électrique.
2. Couper l'alimentation principale en eau. Ouvrir le robinet le plus proche suffisamment longtemps pour réduire la pression de l'eau dans la canalisation d'eau.
3. Utiliser un robinet d'arrêt quart de tour ou équivalent alimenté par une canalisation d'alimentation domestique de 1/2 po.

**REMARQUE :** Pour que le réfrigérateur reçoive un débit d'eau suffisant, on recommande l'emploi d'une canalisation d'alimentation domestique en cuivre de 1/2 po (12,7 mm).

## Raccordement au réfrigérateur

Suivre les instructions relatives au modèle utilisé pour le raccordement.

1. Ôter le capuchon de plastique de l'orifice d'entrée d'eau. Raccorder le tube de cuivre au robinet d'arrivée d'eau à l'aide d'un écrou et d'une bague de compression, comme illustré. Serrer l'écrou de compression. Ne pas serrer excessivement. Vérifier la solidité du raccordement en tirant sur le tube en cuivre.
2. Créer une boucle de service avec le tube en cuivre. Éviter de déformer le tube de cuivre en l'enroulant. Fixer le tube en cuivre à la caisse du réfrigérateur à l'aide d'une bride "P".



A. Tube en cuivre  
B. Bride en "P"  
C. Écrou à compression  
D. Bague de compression

3. Ouvrir l'arrivée d'eau alimentant le réfrigérateur et vérifier l'absence de fuites. Éliminer toute fuite détectée.
4. Si des glaçons sont souhaités, mettre la machine à glaçons en marche.

## Achever l'installation

### ⚠ AVERTISSEMENT



#### Risque de choc électrique

**Brancher sur une prise à 3 alvéoles reliée à la terre.**

**Ne pas enlever la broche de liaison à la terre.**

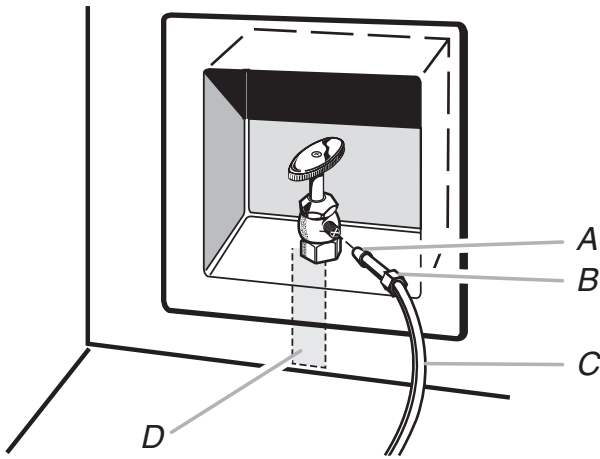
**Ne pas utiliser un adaptateur.**

**Ne pas utiliser un câble de rallonge.**

**Le non-respect de ces instructions peut causer un décès, un incendie ou un choc électrique.**

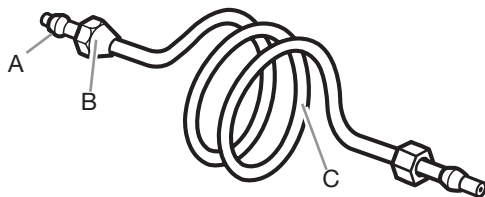
1. Brancher l'appareil sur une prise à 3 alvéoles reliée à la terre.
2. Rincer le système de distribution d'eau. Consulter la section "Distributeurs d'eau et de glaçons".

**REMARQUE :** Prévoir un délai de 24 heures pour la production du premier lot de glaçons. Jeter les 3 premières quantités de glaçons produites. Prévoir un délai de 3 jours pour le remplissage complet du bac d'entreposage.



A. Bague C. Canalisation en cuivre (jusqu'au réfrigérateur)  
B. Écrou D. Canalisation d'alimentation en eau du domicile  
(1/2 po minimum)

4. Il est maintenant possible de connecter le tuyau en cuivre au robinet d'arrêt. Utiliser un tube en cuivre de 1/4 po (6,35 mm) de diamètre extérieur pour raccorder le robinet d'arrêt au réfrigérateur.
  - S'assurer d'avoir la longueur nécessaire pour une installation correcte. Il faut s'assurer que les deux extrémités du tuyau en cuivre sont bien coupées à angle droit.
  - Installer la bague et l'écrou à compression sur le tuyau en cuivre comme indiqué. Insérer l'extrémité du tuyau aussi profondément que possible dans l'extrémité de sortie et à l'équerre. Visser l'écrou de compression sur l'extrémité de sortie du raccord à l'aide d'une clé à molette. Ne pas serrer excessivement.



A. Bague de compression C. Tube en cuivre  
B. Écrou de compression

5. Placer l'extrémité libre de la canalisation dans un contenant ou un évier et rétablir l'alimentation principale en eau pour nettoyer le tuyau jusqu'à ce que l'eau soit limpide. Fermer le robinet d'arrêt sur le tuyau d'alimentation en eau.

**REMARQUE :** Toujours vidanger le tuyau d'alimentation en eau avant de faire le raccordement final sur l'entrée du robinet pour éviter tout mauvais fonctionnement éventuel du robinet.
6. Courber le tuyau de cuivre de façon à le raccorder à l'arrivée de la canalisation d'eau située à l'arrière de la caisse du réfrigérateur, comme illustré. Laisser une partie du tube en cuivre enroulée pour permettre de dégager le réfrigérateur du placard ou du mur en cas de dépannage.

## Installation et retrait des poignées

**Pièces incluses :** Poignées de la porte du réfrigérateur (2), poignée du tiroir du congélateur (1), clé hexagonale 1/8 po et vis de réglage supplémentaires.

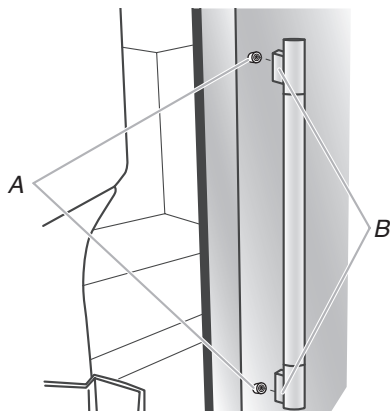
**REMARQUE :** La poignée du tiroir du congélateur est plus courte que les poignées de porte du réfrigérateur. Le style des poignées peut varier selon le modèle.

### Installation des poignées

#### Portes du réfrigérateur

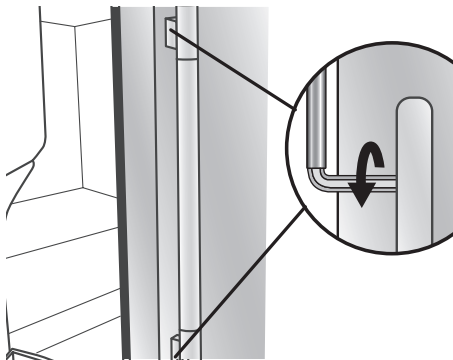
**REMARQUE :** Les vis de blocage sont préinstallées sur la poignée.

1. Retirer les poignées de l'emballage à l'intérieur du réfrigérateur et les placer sur une surface plane.
2. Ouvrir la porte du compartiment de réfrigération. Sur la porte fermée, placer une poignée sur les vis à épaulement de façon à ce que les vis de blocage soient orientées vers la porte adjacente.



A. Vis à épaulement  
B. Vis de blocage à l'intérieur de la poignée

3. Pousser fermement la poignée vers la porte jusqu'à ce que la base de la poignée soit en affleurement de la porte.
4. Tout en maintenant la poignée, introduire le côté court de la clé à tête hexagonale dans le trou supérieur, puis tourner légèrement la clé à tête hexagonale pour l'engager dans la vis de blocage.



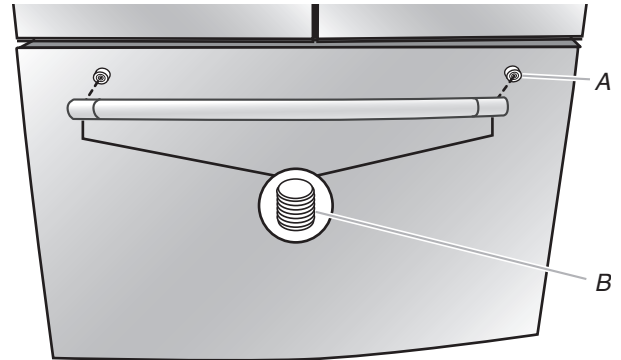
5. Serrer la vis de blocage jusqu'à ce qu'elle commence à toucher la vis à épaulement en la tournant dans le sens horaire. Ne pas serrer complètement.
6. Répéter les étapes 4 et 5 pour serrer la vis de blocage inférieure.
7. Une fois que les deux vis de blocage ont été partiellement serrées comme décrit dans les étapes précédentes, serrer complètement les deux vis de blocage.

**IMPORTANT :** Lorsque les vis semblent serrées, les serrer d'un quart de tour supplémentaire. Sans ce serrage supplémentaire, la poignée ne sera pas correctement installée.

8. Répéter les étapes 2 à 7 pour installer l'autre poignée sur la porte adjacente du réfrigérateur.

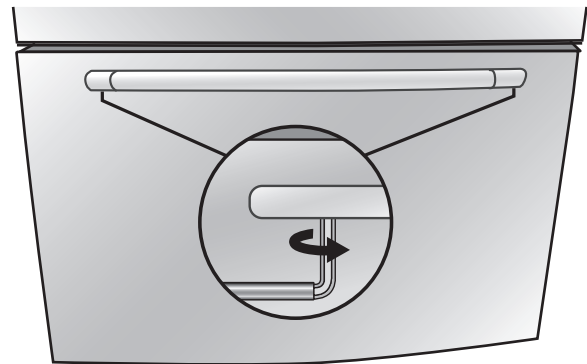
#### Tiroir du congélateur

1. Avec le tiroir fermé, placer la poignée sur les vis à épaulement de façon à ce que les vis de blocage soient orientées vers le plancher.



A. Vis à épaulement  
B. Vis de blocage à l'intérieur de la poignée

2. Pousser fermement la poignée vers le tiroir jusqu'à ce que la base de la poignée soit en affleurement avec le tiroir.
3. Introduire le côté court de la clé à tête hexagonale dans le trou gauche, puis tourner légèrement la clé à tête hexagonale pour l'engager dans la vis de blocage.



4. En tournant la clé de gauche à droite, serrer la vis de blocage d'un quart de tour à la fois, jusqu'à ce que la vis de blocage commence à toucher la vis à épaulement. Ne pas serrer complètement.
5. Répéter les étapes 3 et 4 pour serrer la vis de blocage du côté droit sur la vis à épaulement.
6. Une fois que les deux vis de blocage ont été partiellement serrées comme décrit dans les étapes précédentes, serrer complètement les deux vis de blocage.

**IMPORTANT :** Lorsque les vis semblent serrées, les serrer d'un quart de tour supplémentaire. Sans ce serrage supplémentaire, la poignée ne sera pas correctement installée.

7. Conserver la clé à tête hexagonale et toutes les instructions.

### Démontage des poignées

1. Tout en maintenant la poignée, introduire le côté court de la clé à tête hexagonale dans le trou d'une vis de blocage, puis tourner légèrement la clé à tête hexagonale pour l'engager dans la vis de blocage.
2. Desserrer la vis de blocage en la tournant d'un quart de tour à la fois dans le sens droit vers gauche.
3. Répéter les étapes 1 et 2 pour l'autre vis de blocage. Tirer lentement sur la poignée pour la dégager de la porte ou du tiroir.
4. Si nécessaire, retirer les vis à épaulement de la porte avec un tournevis Phillips.

## Nivellement du réfrigérateur et fermeture de la porte

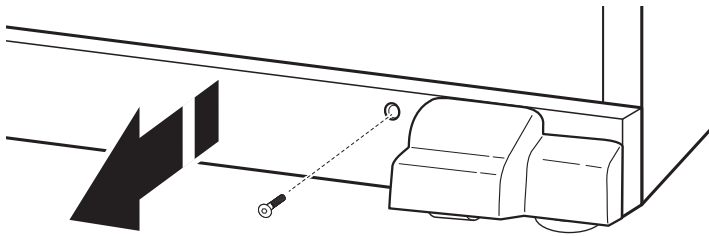
La grille de base recouvre les pieds de stabilisation réglables et les roulettes situées au bas du réfrigérateur sous le tiroir du congélateur. Avant de réaliser les ajustements, retirer la grille de la base et déplacer le réfrigérateur à son emplacement définitif.

**Outils nécessaires :** Tourne-écrou de 1/4 po

**Outil fourni :** Clé hexagonale de 1/8 po

1. Utiliser une clé hexagonale de 1/4 po pour retirer les deux vis de la base de la grille.
2. Retirer le casier de la base. Saisir la grille fermement et la tirer vers soi en utilisant les deux mains. Ouvrir le tiroir du congélateur pour accéder aux pieds de stabilisation.

**REMARQUE :** Pour permettre au réfrigérateur de rouler plus facilement, soulever les pieds de stabilisation en les tournant dans le sens antihoraire. Les roulettes avant toucheront le plancher.



3. Déplacer le réfrigérateur jusqu'à sa position de service finale.
  4. À l'aide d'un tourne-écrou de 1/4 po, abaisser le pied de stabilisation. Les tourner dans le sens horaire, jusqu'à ce que les roulettes ne touchent plus le sol et que les deux pieds de stabilisation soient fermement en appui sur le sol. Cet arrangement vise à empêcher le réfrigérateur de rouler vers l'avant à l'ouverture des portes ou du tiroir de congélation.
- IMPORTANT :** Si des ajustements sont nécessaires par la suite et si cela comprend les pieds de stabilisation, les deux pieds de stabilisation doivent être tournés de façon égale pour conserver l'aplomb du réfrigérateur.
5. À l'aide d'un niveau, vérifier que le réfrigérateur est d'aplomb transversalement et d'avant en arrière.
  6. Vérifier que le dessus des portes est égal et que l'espace entre le bas des portes du réfrigérateur et le haut du tiroir du réfrigérateur est égal. Au besoin, aligner les portes.

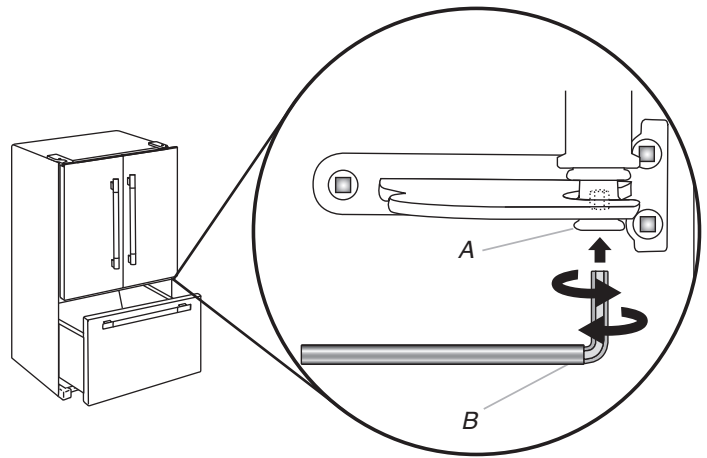
### Pour aligner les portes :

- Tout en gardant les deux portes du réfrigérateur fermées, retirer le tiroir du congélateur. Repérer l'axe de charnière inférieure de la porte de droite du réfrigérateur. La vis d'alignement se trouve à l'intérieur de l'axe de la charnière inférieure.
- Introduire l'extrémité courte de la clé à tête hexagonale de 1/8 po (jointe aux instructions d'installation de la poignée de porte) dans l'axe de la charnière inférieure jusqu'à ce qu'elle soit complètement engagée dans la vis d'alignement.

Pour soulever la porte du réfrigérateur, tourner la clé à tête hexagonale vers la droite.

Pour abaisser la porte, tourner la clé à tête hexagonale vers la gauche.

- Continuer à tourner la vis d'alignement jusqu'à ce que les portes soient alignées.



A. Axe de charnière inférieure  
B. Clé hexagonale de 1/8 po

7. S'assurer que le réfrigérateur est stable. Si le réfrigérateur semble instable ou qu'il roule vers l'avant lorsqu'on ouvre la porte ou le tiroir, régler les pieds de stabilisation.

### Stabilisation du réfrigérateur :

- Ouvrir le tiroir du congélateur. Utiliser un tourne-écrou de 1/4 po pour tourner les deux pieds de stabilisation du même nombre de tours dans le sens horaire, jusqu'à ce qu'ils soient fermement en appui sur le sol. Vérifier de nouveau. Si le résultat n'est pas satisfaisant, continuer de régler les pieds de nivellement en tournant la vis par demi-tours jusqu'à ce que le réfrigérateur ne roule plus vers l'avant lors de l'ouverture du tiroir.

**REMARQUE :** Le fait d'exercer une pression contre le dessus du réfrigérateur permet d'alléger le poids appliqué aux pieds de stabilisation. Ceci facilite le réglage des vis. Ne pas pousser en exerçant une force excessive pour ne pas faire basculer le réfrigérateur.

8. Réinstaller la grille de la base en alignant les extrémités de la grille avec les dispositifs de nivellement de chaque côté et emboîter la grille. Utiliser une clé hexagonale de 1/4 po pour réinstaller les vis.

## FILTRES ET ACCESSOIRES

### Systeme de filtration d'eau

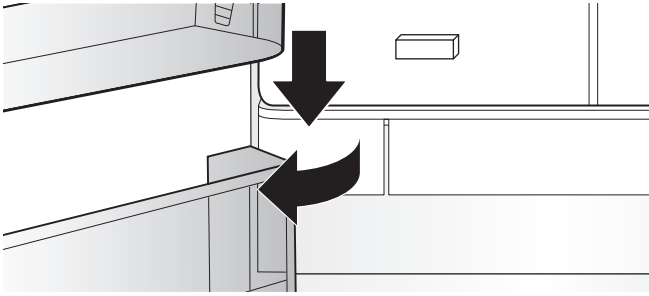
Ne pas utiliser pour le filtrage d'une eau microbiologiquement polluée ou de qualité inconnue en l'absence d'un dispositif de désinfection adéquat avant ou après le système. Les systèmes certifiés pour la réduction de kyste peuvent être utilisés pour l'eau désinfectée qui peut contenir des kystes filtrables.

### Remplacer et installer le filtre à eau

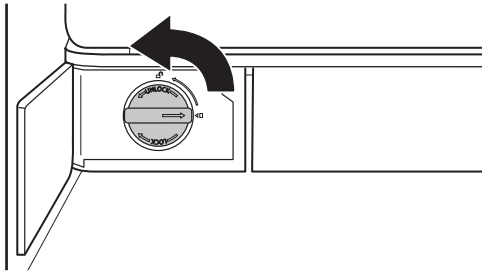
Le filtre à eau devrait être remplacé tous les 6 mois en fonction d'un débit de 0,50 à 0,60 gallon par minute (1,89-2,27 Lpm) pour un total de 200 gallons (757 L) filtrés.

Pour commander un filtre de rechange, nous contacter. Consulter la section "Accessoires" du Guide d'utilisation et d'entretien pour obtenir des renseignements sur le processus de commande.

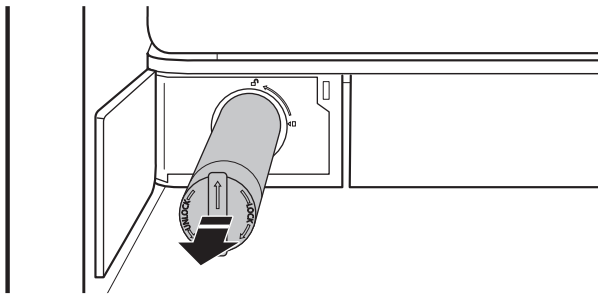
1. Pousser sur la porte du filtre à eau située dans le coin inférieur gauche du réfrigérateur pour l'ouvrir.



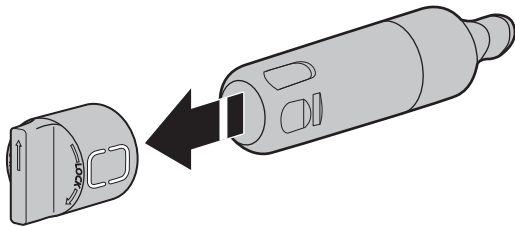
2. Pivoter le filtre à eau et tourner de 90° dans le sens antihoraire pour le déverrouiller.



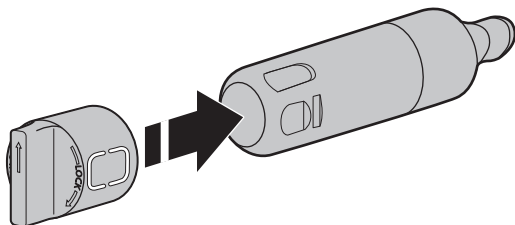
3. Retirer le filtre du compartiment.



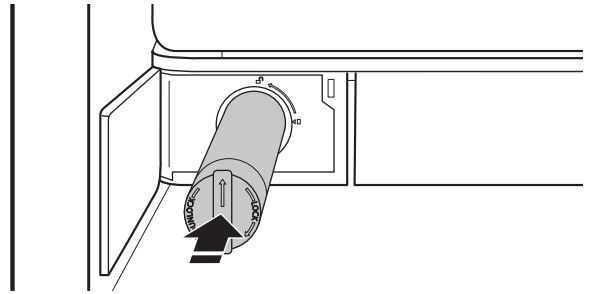
4. Retirer le capuchon du filtre à eau qui doit être remplacé.



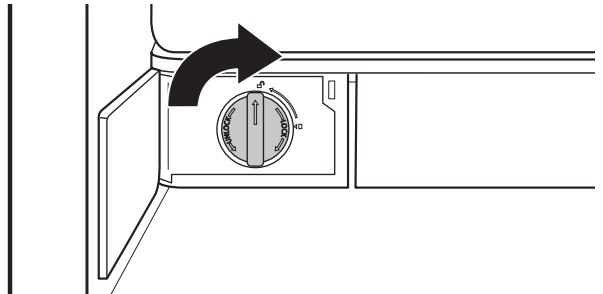
5. Installer le capuchon de filtre à eau sur le nouveau filtre. Aligner correctement les flèches pour que les rainures du filtre soient alignées avec les nervures du capuchon.



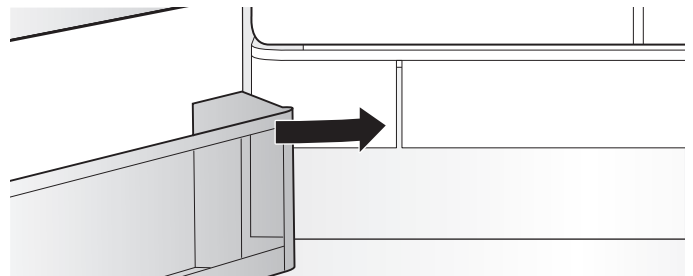
6. Placer le filtre dans le compartiment.



7. Pivoter le filtre à eau et tourner de 90° dans le sens horaire pour le verrouiller en place et aligner les flèches.



8. Refermer la porte du filtre à eau.



### Témoin lumineux du filtre à eau

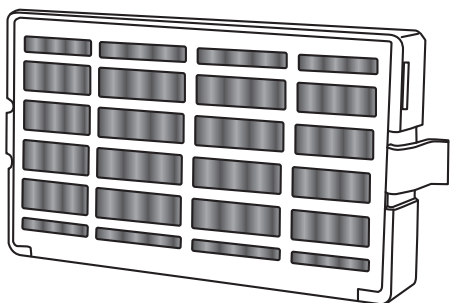
Le témoin lumineux de l'état du filtre à eau vous aidera à savoir quand changer le filtre à eau. L'application enverra aussi des notifications à votre appareil mobile et vous indiquera l'état de l'application JennAir pour l'autonomie du filtre.

- **COMMANDER FILTRE** (jaune) – Il est presque temps de changer le filtre à eau. L'icône "Order Filter" (commander filtre) s'affiche en tout temps, mais est éteinte en mode Exposition et Sabbath.
- **REPLACER FILTRE** (rouge) – Remplacer le filtre à eau. Au cours de la distribution d'eau, "Replace Filter" (remplacer filtre) clignote sept fois et un signal d'alerte retentit trois fois.  
**REMARQUE :** L'icône "REPLACE FILTER" (remplacer filtre) reste allumée si le filtre n'est pas réinitialisé sur l'interface utilisateur (IU).
- **RÉINITIALISATION DU FILTRE** – Appuyer sur MAX COOL (refroidissement rapide) et MAX ICE (production de glaçons maximale) pendant 3 secondes pour réinitialiser le filtre à eau. L'affichage exécutera un compte à rebours de 3 secondes, puis fera clignoter l'icône et fera entendre un signal.

## Installation du filtre à air FreshFlow™

Un filtre à air est 15 fois plus puissant que le bicarbonate de soude pour réduire les odeurs courantes d'aliments à l'intérieur du réfrigérateur.

Sur certains modèles, le sachet d'accessoires du réfrigérateur comprend un filtre à air qui doit être installé avant d'utiliser le réfrigérateur.



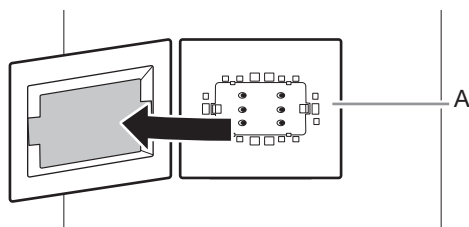
### Installation du filtre à air FreshFlow™

Installer le filtre derrière le couvercle d'aération situé le long de la paroi arrière, près du milieu du réfrigérateur.

1. Retirer le filtre à air de son emballage.
2. Tirer sur le couvercle de plastique sur le couvercle de ventilation.

**REMARQUE :** Lorsque le couvercle est enlevé pour la première fois, une petite pièce en mousse de la taille du filtre devra être retirée et jetée.

3. Enclencher le filtre en place, fermer le couvercle



A. Filtre à air

### Remplacement du filtre à air FreshFlow™

La cartouche de filtre à air jetable doit être remplacée tous les 6 mois. Certains filtres à air sont dotés d'un indicateur de remplacement.

Pour commander un filtre à air de rechange, nous contacter. Consulter la section "Accessoires" du Guide d'utilisation et d'entretien pour obtenir des renseignements sur le processus de commande.

1. Ouvrir le couvercle, puis retirer l'ancien filtre à air en serrant les onglets latéraux.
2. Installer le filtre à air en suivant les instructions des sections précédentes.

## Installation du conservateur de produits frais (sur certains modèles)

Le sachet de conservation pour produits frais absorbe l'éthylène, permettant ainsi un ralentissement du processus de maturation de nombreux produits frais. Ainsi, la fraîcheur de certains produits frais est prolongée.

La production d'éthylène et la sensibilité des produits à l'éthylène varient selon le type de fruit ou de légume. Pour préserver la fraîcheur des produits, il est conseillé de séparer les produits frais sensibles à l'éthylène des fruits qui en produisent en quantité modérée à élevée.

	Sensibilité à l'éthylène	Production d'éthylène
Pommes	Élevée	Très élevé
Asperges	Moyenne	Très bas
Petits fruits	Basse	Basse
Brocoli	Élevée	Très bas
Cantaloup	Moyenne	Élevée
Carottes	Basse	Très bas
Agrume	Moyenne	Très bas
Raisin	Basse	Très bas
Laitue	Élevée	Très bas
Poires	Élevée	Très élevé
Épinards	Élevée	Très bas

### Installation du conservateur pour produits frais

Pour plus de commodité, le conservateur pour produit frais à fixation par succion peut être installé dans le bac à légumes ou les tiroirs réfrigérés.

#### ATTENTION : IRRITANT

PEUT IRRITER LES YEUX ET LA PEAU. DÉGAGE DES ÉMANATIONS DANGEREUSES LORSQUE MÉLANGÉ AVEC D'AUTRES PRODUITS.

Ne pas mélanger avec d'autres agents de nettoyage tels que l'ammoniaque, un agent de blanchiment ou des acides. Éviter tout contact avec les yeux, la peau ou les vêtements. Ne pas respirer les poussières. Tenir hors de la portée des enfants.

**PREMIERS SOINS :** Contient du permanganate de potassium. En cas d'ingestion, appeler immédiatement un centre antipoison ou un médecin. Ne pas provoquer le vomissement. En cas de contact avec les yeux, rincer avec de l'eau pendant 15 minutes. En cas de contact avec la peau, bien rincer avec de l'eau.

1. Laver l'intérieur de chaque tiroir à l'aide d'une solution de savon doux et d'eau tiède; sécher complètement.
2. Trouver l'emballage contenant le conservateur pour produits frais à l'intérieur du réfrigérateur, puis installer le conservateur pour produits frais dans le tiroir selon les instructions fournies dans l'emballage.

## Remplacement du sachet de conservation pour produits frais

Le sachet jetable doit être remplacé tous les 6 mois ou lorsque le témoin est entièrement passé du blanc au rouge.

Pour commander des filtres de rechange, nous contacter. Consulter la section "Accessoires" pour connaître le processus de commande.

1. Retirer les sachets usagés du logement du conservateur pour produits frais.
2. Retirer le témoin usagé.
3. Installer les sachets et le témoin neufs en suivant les instructions incluses dans l'emballage.

## Accessoires

Les accessoires suivants sont disponibles pour ce réfrigérateur. Pour commander un accessoire, nous contacter et demander le numéro de pièce.

Aux É.-U., visiter notre site Web au [www.jennair.com/accessories](http://www.jennair.com/accessories) ou composer le **1 800 JENNAIR (1 800 536-6247)**.

Au Canada, consulter notre page Web au [www.whirlpoolparts.ca](http://www.whirlpoolparts.ca) ou composer le **1 800 JENNAIR (1 800 536-6247)**.

### Nettoyant pour acier inoxydable affresh®

Aux États-Unis, commander la pièce numéro W10355016  
Au Canada, commander le numéro de pièce W10355016B

### Lingettes pour acier inoxydable affresh®

Aux États-Unis, commander la pièce numéro W10355049  
Au Canada, commander le numéro de pièce W10355049B

### Nettoyant pour la cuisine et les électroménagers affresh®

Aux États-Unis, commander la pièce numéro W10355010  
Au Canada, commander le numéro de pièce W10355010B

### Filtre à eau :

Aux États-Unis, commander la pièce numéro EDR2RXD1  
Au Canada, commander le numéro de pièce EDR2RXD1B

### Filtre à air :

Commander le numéro de pièce W10311524 ou AIR1

### Trousse de démarrage pour conservateur pour produits frais :

Commander le numéro de pièce P1KL6S1CS

### Ensemble-recharge de conservateur pour produits frais :

Commander le numéro de pièce P1KC6R1

### Boîte Herb Tender™ :

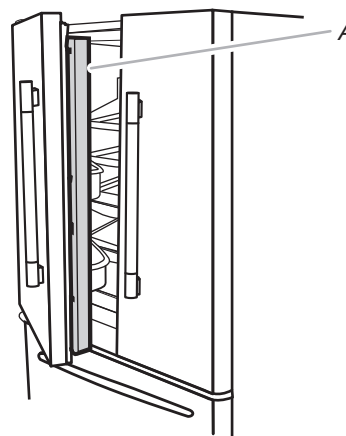
Commander le numéro de pièce W10882409

# UTILISATION DU RÉFRIGÉRATEUR

## Ouverture et fermeture des portes

Le compartiment de réfrigération possède 2 portes. Les portes peuvent être ouvertes et fermées séparément ou ensemble. Il y a sur la porte de gauche du réfrigérateur un joint à charnière verticale.

- Lors de l'ouverture de la porte du côté gauche, le joint à charnière se replie automatiquement vers l'intérieur pour qu'il n'y ait pas d'interférence.
- Lorsque les deux portes sont fermées, le joint à charnière assure automatiquement l'étanchéité entre les 2 portes.

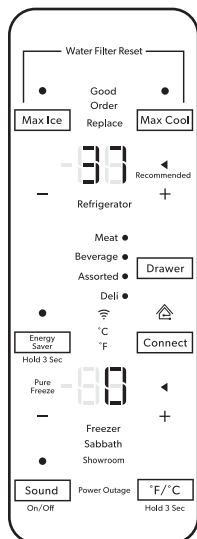


A. Joint à charnière



## Utilisation des commandes

Les commandes tactiles sont situées au-dessus du distributeur externe et à l'intérieur, sur le côté de la porte gauche du réfrigérateur.



### Visualisation et modification des points de réglage de température

À titre de commodité, les commandes du réfrigérateur et du congélateur sont préréglées à l'usine.

Lors de l'installation initiale du réfrigérateur, s'assurer que les commandes sont encore préréglées aux points de réglage recommandés. Les points de réglage recommandés à l'usine sont de 37 °F (3 °C) pour le réfrigérateur et 0 °F (-18 °C) pour le congélateur.

#### IMPORTANT :

- Attendre 24 heures avant d'ajouter des aliments dans le réfrigérateur. Si on ajoute des aliments avant que le réfrigérateur ne soit complètement refroidi, les aliments risquent de se gaspiller.

**REMARQUE :** Placer les points de réglage à un niveau plus froid que celui qui est recommandé ne refroidira pas les compartiments plus rapidement.

- Si la température est trop tiède ou trop froide dans le réfrigérateur ou le congélateur, vérifier d'abord les événements pour s'assurer qu'ils ne sont pas bloqués, avant de régler les commandes.
- Les réglages recommandés devraient être corrects pour une utilisation domestique normale. Les réglages sont faits correctement lorsque le lait ou le jus sont aussi froids que désiré et lorsque la crème glacée est ferme.

**REMARQUE :** Dans des zones comme un garage, un sous-sol ou un porche, la température peut être extrême ou le taux d'humidité supérieur à celui de votre domicile. Il peut s'avérer nécessaire de modifier la température à d'autres réglages que les réglages recommandés afin de s'adapter à ces conditions.

- Attendre au moins 24 heures entre chaque modification. Vérifier à nouveau les températures avant de procéder à d'autres modifications.

### Consulter les points de réglage de température

- Appuyer sur [+] / [-] pour le réfrigérateur ou sur [+] / [-] pour le congélateur pour passer d'un point de réglage de température à l'autre.

**REMARQUE :** Pour afficher la température en degrés Celsius, maintenir enfoncé le bouton [°F/°C], l'affichage changera après 3 secondes. Pour revenir en Fahrenheit, maintenir enfoncés le bouton [°F/°C], l'affichage changera après 3 secondes.

Pour activer le mode Température du garde-manger, appuyer sur DRAWER ( tiroir), puis choisir entre les quatre options de réglage de température : Meat, Beverage, Assorted et Deli (viande, boisson, assortiment et charcuterie). L'affichage indique le point de réglage de température du garde-manger.

Température recommandée du réfrigérateur



Température recommandée du congélateur



### Modification des points de réglage de température

Échelle des points de réglage pour le réfrigérateur : 33 °F à 45 °F (1 °C à 7 °C)

Échelle des points de réglage pour le congélateur : -6 °F à 5 °F (-22 °C à -15 °C)

- Appuyer sur [+] / [-] pour régler la zone réfrigérateur. L'affichage indique le point de réglage de température du compartiment sélectionné, comme illustré.
- Lorsque la température se situe à l'intérieur de la plage Pure Freeze®, l'affichage s'allume. Pure Freeze® est activé au point de réglage le plus froid du congélateur.

Pour modifier les points de réglage de température, utiliser le tableau suivant comme guide :

CONDITION :	RÉGLAGE DE LA TEMPÉRATURE :
RÉFRIGÉRATEUR trop froid	RÉFRIGÉRATEUR Réglage 1° plus élevé
RÉFRIGÉRATEUR trop tiède	RÉFRIGÉRATEUR Réglage 1° plus bas
CONGÉLATEUR trop froid	CONGÉLATEUR Réglage 1° plus élevé
CONGÉLATEUR trop tiède/ trop peu de glaçons	CONGÉLATEUR Réglage 1° plus bas

---

## Max Cool (refroidissement maximal)

---

La caractéristique Max Cool (refroidissement maximal) est utile lors de périodes d'utilisation intense du réfrigérateur, de l'ajout d'une grande quantité d'aliments ou de l'élévation temporaire de la température de la pièce.

- Pour activer la fonction de refroidissement maximale, appuyer sur le bouton Max Cool (refroidissement maximal). Lorsque ce bouton est appuyé, l'icône clignote 3 fois, puis reste affichée.
- Pour désactiver manuellement la fonction de refroidissement maximale, appuyer sur le bouton Max Cool (refroidissement maximal). L'affichage clignote 3 fois et s'éteint. La fonction de refroidissement maximale reste activée pendant 24 heures à moins d'être désactivée manuellement. Le réglage de la température du réfrigérateur aura pour effet de désactiver automatiquement la fonction de refroidissement maximale.

**REMARQUE :** Le réglage du congélateur à une température plus froide peut rendre certains aliments, comme la crème glacée, plus durs.

---

## Max Ice (production de glaçons maximale)

---

La fonction de production de glaçons maximale est utile pour augmenter le refroidissement du compartiment congélateur et la production de glaçons.

- Pour activer ou désactiver la fonction de production de glaçons maximale, appuyer sur le bouton Max Ice (production de glaçons maximale). Lorsque ce bouton est appuyé pour mettre la fonction en marche, l'icône clignote 3 fois, puis reste affichée.
- Pour désactiver manuellement la fonction de production de glaçons maximale, appuyer sur le bouton Max Ice (production de glaçons maximale). L'affichage clignote 3 fois et s'éteint. La fonction de production de glaçons maximale reste activée pendant 24 heures, à moins d'être annulée manuellement. Le réglage de la température du réfrigérateur aura pour effet de désactiver automatiquement la fonction de production de glaçons maximale.

**REMARQUE :** Le réglage du congélateur à une température plus froide peut rendre certains aliments, comme la crème glacée, plus durs.

---

## Replace Fiter (Réinitialisation du filtre à eau)

---

Affiche l'état du filtre à eau. Pour réinitialiser le filtre, appuyer sur MAX ICE (glaçons max.) et MAX COOL (refroidissement maximal) pendant 3 secondes. Après le compte à rebours, l'icône Good (Bon) clignotera 3 fois et restera allumée.

**REMARQUE :** Les témoins lumineux de l'état du filtre à eau situés sur les commandes externes vous aideront à savoir quand changer le filtre à eau.

- COMMANDER FILTRE (jaune) – Commander un filtre à eau de rechange.
- REMPLACER FILTRE (rouge) – Remplacer le filtre à eau. L'icône de remplacement du filtre à eau clignote pendant toute la période de distribution d'eau. Si après 14 jours, le filtre à eau n'est pas encore remplacé, l'icône de remplacement du filtre clignote 7 fois et une alarme sonore retentit 3 fois à la fin de la distribution. Consulter la section "Système de filtration de l'eau".

**REMARQUE :** REPLACE FILTER (remplacer filtre) reste allumé si aucun filtre n'est installé.

- RÉINITIALISATION DU FILTRE – Appuyer sur les boutons de l'affichage de température Max Ice (production de glaçons maximale) et Max Cool (refroidissement maximal) simultanément pendant 3 secondes pour réinitialiser le filtre à eau. L'affichage effectuera un compte à rebours de 3 secondes, puis fera clignoter l'icône et entendre une tonalité.

### État du filtre

L'application JennAir enverra une alerte qui affichera le filtre à eau.

---

## Mode Energy Saver (économie d'énergie)

---

Il s'agit d'une fonction sélectionnable qui permet de désactiver les éléments chauffants autour des portes du réfrigérateur et du distributeur. Lorsque cette fonction est activée, de la condensation peut se former sur la façade avant du réfrigérateur, sur le joint ou au-dessus du tiroir du congélateur. Les économies réalisées peuvent varier en fonction de l'humidité relative de l'environnement.

- Pour désactiver l'élément chauffant du montant vertical, appuyer sur le bouton Energy Saver (économie d'énergie) pendant 3 secondes. L'icône Energy Saver (économie d'énergie) clignote 3 fois, puis reste affichée.

**IMPORTANT :** Lorsque la fonction d'économie d'énergie est activée et que le voyant DEL est allumé, l'élément chauffant du distributeur et l'élément chauffant du montant vertical sont désactivés.

- Appuyer de nouveau pendant 3 secondes sur Energy Saver (économie d'énergie) pour réactiver le refroidissement.

---

## Mode Pure Freeze®

---

Cette fonction réduit la migration d'humidité des aliments congelés. Ceci a pour effet de réduire les brûlures de congélation.

Pour activer le mode Pure Freeze®, basculer vers le point de réglage de congélation le plus froid.

Pour désactiver le mode Pure Freeze®, basculer du point de réglage de congélation le plus froid vers n'importe quelle autre température.

---

## Sound On/Off (Activation et désactivation du son)

---

Le bouton Sound (son) permet au client d'activer et de désactiver le son.

- Pour activer la fonction de son, appuyer sur le bouton Sound (son). Lorsque ce bouton est appuyé, l'icône du son clignote 3 fois, puis reste affichée.
- Pour désactiver manuellement la fonction de son, appuyer sur le bouton Sound (son). L'affichage clignote 3 fois et s'éteint.

---

## Power Outage (Panne de courant)

---

Le témoin de panne de courant indique à l'utilisateur que l'alimentation électrique du réfrigérateur a été interrompue et que la température du congélateur s'est élevée.

L'affichage de température du tableau de commande indiquera "Power Outage" (panne de courant) et une alarme retentira à trois reprises. Appuyer sur un bouton pour faire cesser l'alarme, puis sur un autre bouton pour fermer l'icône de panne de courant.

Une fois la panne de courant confirmée, l'icône "Power Outage" (panne de courant) disparaît et l'affichage revient à l'écran d'accueil.

---

## Showroom Mode (Mode d'exposition)

---

Ce mode est utilisé lorsque le réfrigérateur est exposé dans un magasin de détail ou si on souhaite désactiver le refroidissement et toutes les autres fonctions sauf l'éclairage intérieur. Le mode d'exposition peut être utilisé pendant une absence. Voir la section "Précautions à prendre pour les vacances ou le déménagement" pour en savoir plus sur la procédure à suivre pour laisser le réfrigérateur dans ce mode pendant des périodes prolongées.

Si le mode d'exposition est activé, le mot "Showroom (exposition)" s'allume sur l'affichage. Pour accéder au mode d'exposition ou en sortir, appuyer simultanément sur °F/°C et DRAWER (tiroir) pendant 3 secondes.

**REMARQUE :** Vider la machine à glaçons si le réfrigérateur doit être éteint pendant une période prolongée.

## Mode Sabbath (Sabbat)

Permet d'ouvrir la porte du réfrigérateur ou du congélateur pendant le Sabbath ou une autre fête religieuse sans activer les commandes ou l'éclairage intérieurs.

Les points de réglage d'utilisation du congélateur et du réfrigérateur restent inchangés dans ce mode. Si on active involontairement le mode Sabbath, le mot "Sabbath" (Sabbat) s'allume sur l'affichage. Pour accéder au mode Sabbath (Sabbat) ou en sortir, appuyer simultanément sur °F/°C et SOUND (son) pendant 3 secondes.

**REMARQUE :** Il est impossible d'utiliser le distributeur ou de modifier les points de réglage de la température en mode Sabbath. L'éclairage intérieur et les tableaux de commande sont tous désactivés en mode Sabbath.

## Commandes de distributeur externe

La commande se trouve sur le dessus du distributeur externe du réfrigérateur.



**IMPORTANT :** L'écran d'affichage sur le tableau de commande du distributeur s'éteint automatiquement et entre au mode "Veille" lorsque les boutons de commande et les leviers du distributeur n'ont pas été utilisés pendant au moins 2 minutes. Appuyer sur n'importe quel bouton de commande pour réactiver l'écran d'affichage. L'écran d'accueil apparaît comme indiqué.

## Caractéristiques supplémentaires

### Alarme de porte entrouverte

La fonction d'alarme de porte entrouverte fait retentir un signal d'alarme lorsqu'une porte ou un tiroir du congélateur est ouvert pendant 5 minutes et que le refroidissement est activé. L'alarme retentit toutes les 2 minutes. Fermer le tiroir et toutes les portes pour désactiver l'alarme.

**REMARQUE :** Pour que l'alarme sonore cesse de retentir tout en gardant les portes ouvertes, comme pendant le nettoyage de l'intérieur du réfrigérateur, appuyer sur n'importe quel bouton du tableau de commande. Le son de l'alarme sera temporairement fermé, mais l'icône Door Ajar (porte entrouverte) restera affichée sur le tableau de commande du distributeur.

## Éclairage du réfrigérateur

Le réfrigérateur est muni d'une lampe intérieure qui s'allume chaque fois que la porte est ouverte.

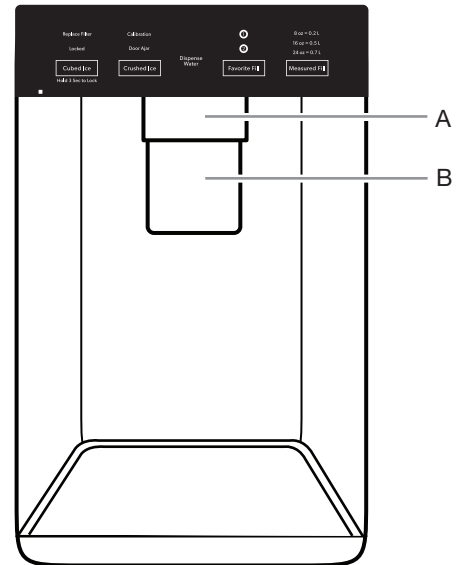
**REMARQUE :** La lampe est une DEL qui n'a pas besoin d'être remplacée.

Si la DEL ne s'allume pas quand on ouvre la porte, appeler le service de dépannage pour faire changer la lampe. Consulter la section "Assistance ou service" de la Garantie pour obtenir plus de renseignements.

## Distributeurs d'eau et de glaçons

### IMPORTANT :

- Attendre 3 heures pour que le réfrigérateur et l'eau refroidissent.
- Prévoir un délai de 24 heures pour la production du premier lot de glaçons. Jeter les 3 premières quantités de glaçons produites.
- Le système de distribution ne fonctionne pas lorsque la porte gauche du réfrigérateur est ouverte.



A. Plaque du distributeur d'eau  
B. Plaque de distribution de glace

### Rinçage du circuit d'eau

De l'air piégé dans le système de distribution d'eau peut faire dégoutter le distributeur d'eau. Après avoir raccordé le réfrigérateur à une source d'alimentation en eau ou remplacé le filtre à eau, vidanger le circuit d'eau.

Le fait de rincer le système de distribution d'eau évacue l'air de la canalisation et du filtre et conditionne le filtre à eau. Un amorçage supplémentaire peut s'avérer nécessaire dans certains domiciles.

**REMARQUE :** Pendant l'évacuation de l'air du système, de l'eau peut gicler du distributeur.

1. Utiliser un récipient robuste pour appuyer sur la plaque du distributeur d'eau pendant 5 secondes.
2. Relâcher la plaque du distributeur pendant 5 secondes. Répéter les étapes 1 et 2, jusqu'à ce que l'eau commence à couler.
3. Une fois que l'eau commence à couler, continuer d'appuyer et de relâcher la plaque du distributeur (appui pendant 5 secondes, relâchement pendant 5 secondes) jusqu'à ce qu'un total de 3 gal (12 l) ait été distribué.

## Calibration du remplissage mesuré

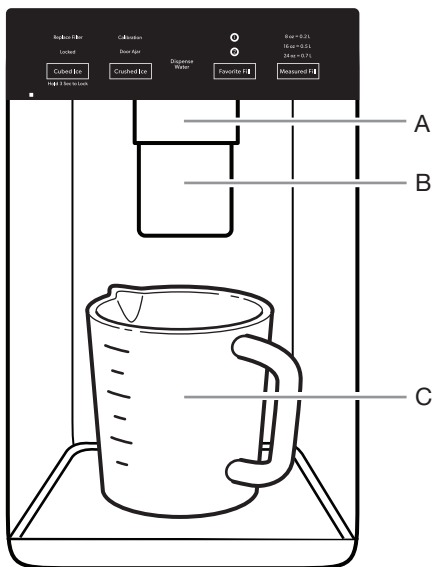
La pression en eau du domicile peut affecter la précision de la fonction de remplissage mesuré. Pour un rendement optimal du distributeur d'eau, il faut d'abord calibrer la fonction de remplissage mesuré.

### IMPORTANT :

- Purger le circuit d'eau avant de calibrer le remplissage mesuré.
- Pour de meilleurs résultats, le calibrage doit être effectué lorsque personne n'utilise d'eau dans le domicile.

1. Placer une tasse à mesurer robuste (format 1 tasse 237 ml) sur le plateau d'égouttement du distributeur, centrée devant la plaque de distribution d'eau/de glaçons.

**REMARQUE :** Pour certains modèles, une tasse à mesurer est incluse.



A. Plaque du distributeur d'eau  
B. Plaque de distribution de glace  
C. Tasse à mesurer (1 tasse)

Veiller à ne pas sélectionner de préreglage pour la fonction de remplissage mesuré.

2. Appuyer sur le bouton Measured Fill (remplissage mesuré) pendant 3 secondes pour entrer dans le mode de calibration. Les icônes Calibration (calibration) et Measured Fill (remplissage mesuré) s'allument et restent allumées pendant le calibrage de la fonction de remplissage mesuré.

**REMARQUE :** Appuyer sur un bouton de MEASURED FILL (remplissage mesuré) pour sortir du mode de calibration à tout moment. Les icônes Calibration (calibration) et Measured Fill (remplissage mesuré) s'éteignent.

3. Maintenir enfoncée la plaque du distributeur à eau, aussi longtemps que nécessaire, pour remplir la tasse d'eau jusqu'à la ligne de remplissage de 1 tasse.

**REMARQUE :** Si un remplissage excessif ou un renversement se produit, jeter l'eau et réinitialiser le processus de calibrage.

4. Une fois qu'une tasse d'eau a été correctement versée dans la tasse à mesurer, appuyer sur le bouton MEASURED FILL (remplissage mesuré) pour confirmer le calibrage.
5. Une fois le calibrage de la fonction de remplissage mesuré confirmé, l'icône Calibration (calibration) disparaît et l'affichage revient à l'écran d'accueil.

## Sauvegarder le remplissage préféré

La pression en eau du domicile peut affecter la précision de la fonction de remplissage préféré. Pour un rendement optimal du distributeur d'eau, il faut d'abord calibrer la fonction de remplissage mesuré.

### IMPORTANT :

- Purger le circuit d'eau avant de sauvegarder le remplissage préféré.

- Pour de meilleurs résultats, le calibrage doit être effectué lorsque personne n'utilise d'eau dans le domicile.

1. Placer une tasse d'une taille appréciée sur le plateau d'écoulement du distributeur, centrée devant la plaque de distribution d'eau/de glaçons.
2. Sélectionner Favorite 1 (préférez 1) ou Favorite 2 (préférez 2) puis appuyer sur le bouton Favorite Fill (remplissage préféré) pendant 3 secondes pour accéder au mode Saving (sauvegarder). L'icône Favorite Fill (remplissage préféré) s'allume, elle reste allumée pendant la sauvegarde de la fonction de remplissage préféré.

**REMARQUE :** Il est possible d'appuyer sur le bouton FAVORITE FILL pour quitter à tout moment le mode de sauvegarde. Dans ce cas, l'affichage revient à l'écran d'accueil.

3. Appuyer et maintenir appuyée la plaque du distributeur d'eau le temps nécessaire pour remplir la tasse d'eau de la quantité préférée.

**REMARQUE :** Si un remplissage excessif ou un renversement se produit, jeter l'eau et réinitialiser le processus de sauvegarde.

4. Une fois la quantité d'eau préférée correctement versée dans la tasse, appuyer sur le bouton Favorite Fill (remplissage préféré) pour confirmer la quantité préférée.
5. Une fois le calibrage de la fonction de remplissage préféré confirmé, l'affichage revient à l'écran d'accueil.

## Distribution

Appuyer sur la touche CUBED ICE (glaçons) ou CRUSHED ICE (glace concassée) pour la sélection de glaçons.

### REMARQUES :

- Pour de la glace concassée, les glaçons sont concassés avant d'être distribués. Cette action peut causer un court délai lors de la distribution de glace concassée. Le bruit du broyeur de glaçons est normal et la dimension des morceaux de glace peut varier.
- Lorsqu'on passe du mode glace concassée au mode glaçons, quelques onces de glace concassée sont distribuées avec les premiers glaçons.

## Distribution d'eau

### IMPORTANT :

- Distribuer au moins 1 pte (1 l) d'eau chaque semaine pour maintenir un approvisionnement en eau fraîche.
- La diminution du débit en provenance du distributeur peut être causée par une faible pression en eau.
  - Avec le filtre à eau retiré, verser l'équivalent d'une (1) tasse d'eau (237 ml). Si l'équivalent d'une tasse (237 ml) d'eau est distribué en 8 secondes ou moins, cela signifie que la pression en eau alimentant le réfrigérateur répond au critère minimal.
  - S'il faut plus de 8 secondes à la machine pour distribuer l'équivalent d'une tasse (237 ml) d'eau, cela signifie que la pression en eau alimentant le réfrigérateur est inférieure au niveau recommandé. Consulter la section "Spécifications de l'alimentation en eau" et "Dépannage" pour des suggestions sur la marche à suivre.

### Distribution d'eau – Normale :

1. Appuyer un verre résistant contre la plaque du distributeur d'eau.
2. Retirer le verre pour arrêter la distribution.

**REMARQUE :** Le bouton de distribution d'eau ne permet pas la distribution normale. Il ne fonctionne qu'en mode de remplissage mesuré ou de remplissage préféré.

### Distribution d'eau – Remplissage mesuré :

La fonction de remplissage mesuré permet de distribuer une quantité d'eau précise en appuyant simplement sur quelques boutons.

1. Placer un verre robuste sous le bec verseur. Appuyer sur MEASURED FILL (remplissage mesuré) pour activer.

**REMARQUE :** La quantité d'eau distribuée correspondra à la quantité sélectionnée. Vérifier que le récipient peut contenir la totalité du volume. Si de la glace se trouve dans le récipient, il faut peut-être modifier la sélection.
2. Appuyer sur MEASURED FILL (remplissage mesuré) pour activer la fonction, puis toucher pour sélectionner 8 oz (0,2 l) 16 oz (0,5 l) ou 24 oz (0,7 l). Appuyer une quatrième fois pour quitter l'affichage du remplissage mesuré.
3. Appuyer sur DISPENSE WATER (distribution d'eau) (bouton central) ou sur la plaque pour distribuer la quantité d'eau souhaitée.

### REMARQUES :

- Le distributeur de remplissage mesuré s'arrêtera automatiquement après 1 minute d'inactivité.
- Il est possible de remplir plusieurs verres en utilisant la même mesure en continuant d'appuyer sur la touche DISPENSE WATER (distribution d'eau) (bouton central) après chaque remplissage.

Les options de remplissage mesuré sont indiquées dans le tableau suivant :

Unités			
Onces	8	16	24
Tasses	1	2	3
Litre	0,2	0,5	0,7

**REMARQUE :** La plupart des tasses à café (généralement de 4 à 6 oz (118 à 177 ml) par tasse) ne sont pas de la même taille qu'une tasse à mesurer (8 oz (237 ml)). Il peut être nécessaire de modifier le volume du remplissage mesuré pour éviter un remplissage excessif non intentionnel des tasses à café.

4. Distribuer de l'eau.

**REMARQUE :** Pendant la distribution d'eau, le débit d'eau s'arrête automatiquement une fois que le volume désiré a été distribué.

- Appuyer un verre robuste contre la plaque de distribution sous le bec verseur.

### OU

- Placer le verre sous le bec verseur et appuyer sur le bouton DISPENSE WATER (distribution d'eau) pour une distribution sans mains.
5. Pour mettre la distribution en attente avant que la quantité sélectionnée n'ait été atteinte, appuyer sur DISPENSE WATER (distribution d'eau) une deuxième fois ou sur la plaque de distribution. Appuyer de nouveau sur DISPENSE WATER (distribution d'eau) ou sur la plaque pour reprendre la distribution de la quantité d'eau restante.

**REMARQUE :** Si on arrête la distribution avant que la quantité d'eau désirée soit atteinte, l'affichage se ferme après 1 minute. Si la distribution ne reprend pas pendant ce laps de temps, elle se réinitialise à la quantité initiale.
  6. Pour sélectionner un nouveau volume ou relancer la distribution d'un volume identique, il faut d'abord finir de distribuer le volume sélectionné ou désactiver la fonction de remplissage mesuré (en attendant 1 minute que la machine s'éteigne automatiquement ou en appuyant sur CUBED ICE (glaçons) ou CRUSHED ICE (glace concassée) pour l'éteindre manuellement) et la réactiver ensuite.

### Distribution d'eau – Remplissage préféré :

La fonction de remplissage préféré permet de distribuer une quantité d'eau souhaitée en appuyant simplement sur quelques boutons.

1. Placer un verre robuste sous le bec verseur. Appuyer sur FAVORITE FILL (remplissage préféré) pour activer.

**REMARQUE :** La quantité d'eau distribuée correspondra à la quantité sélectionnée. Vérifier que le récipient peut contenir la totalité du volume. Si de la glace se trouve dans le récipient, il faut peut-être modifier la sélection.
2. Appuyer sur FAVORITE FILL (remplissage préféré) pour activer la fonction, puis de nouveau pour choisir entre Favorite 1 (préférée 1) et Favorite 2 (favoris 2). Appuyer une troisième fois pour quitter l'affichage du remplissage préféré.
3. Appuyer sur DISPENSE WATER (distribution d'eau) (bouton central) et la quantité d'eau souhaitée sera distribuée.

### REMARQUES :

- Le distributeur de remplissage préféré s'arrêtera automatiquement après 1 minute d'inactivité.
  - Il est possible de remplir plusieurs verres en utilisant la même mesure en continuant d'appuyer sur la touche DISPENSE WATER (distribution d'eau) (bouton central) après chaque remplissage.
4. Distribuer de l'eau.

**REMARQUE :** Pendant la distribution d'eau, le débit d'eau s'arrête automatiquement une fois que le volume désiré a été distribué.

- Appuyer un verre robuste contre la plaque de distribution sous le bec verseur.

### OU

- Placer le verre sous le bec verseur et appuyer sur le bouton DISPENSE WATER (distribution d'eau) pour une distribution sans mains.
5. Pour mettre la distribution en attente avant que la quantité sélectionnée n'ait été atteinte, appuyer sur DISPENSE WATER (distribution d'eau) une deuxième fois ou sur la plaque de distribution. Appuyer de nouveau sur DISPENSE WATER (distribution d'eau) ou sur la plaque pour reprendre la distribution de la quantité d'eau restante.

**REMARQUE :** Si on arrête la distribution avant que la quantité d'eau désirée soit atteinte, l'affichage se ferme après 1 minute. Si la distribution ne reprend pas pendant ce laps de temps, elle se réinitialise à la quantité initiale.

6. Pour sélectionner un nouveau volume ou relancer la distribution d'un volume identique, il faut d'abord finir de distribuer le volume sélectionné ou désactiver la fonction de remplissage préféré (en attendant 1 minute que la machine s'éteigne automatiquement ou en appuyant sur CUBED ICE (glaçons) ou CRUSHED ICE (glace concassée) pour l'éteindre manuellement) et la réactiver ensuite.

## Distributeur à glaçons

### IMPORTANT :

- Des glaçons creux ou dont la forme est irrégulière peuvent être causés par une faible pression d'eau. Voir la section "Spécifications de l'alimentation en eau".
- Les glaçons passent du bac d'entreposage à glaçons au distributeur par le goulet du distributeur. Pour éteindre la machine à glaçons, consulter la section "Machine à glaçons et bac d'entreposage".
- Il est possible que le distributeur continue à faire du bruit et à distribuer des glaçons pendant plusieurs secondes après avoir relâché le bouton ou la plaque du distributeur.

### Nettoyage du goulet du distributeur à glaçons :

L'humidité entraîne l'agglomération des glaçons. Des particules de glace peuvent s'accumuler et obstruer le goulet du distributeur à glaçons.

Si on n'a pas besoin de distribuer des glaçons régulièrement, il peut s'avérer nécessaire de vider le bac d'entreposage à glaçons et de nettoyer à la fois le goulet de distribution des glaçons, le bac d'entreposage à glaçons et la zone située sous le bac d'entreposage toutes les 2 semaines.

- Si nécessaire, retirer les glaçons obstruant le bac d'entreposage et le goulet de distribution des glaçons à l'aide d'un ustensile en plastique.
- Nettoyer le goulet de distribution des glaçons et le fond du bac d'entreposage à glaçons à l'aide d'un chiffon tiède et humide, puis sécher soigneusement ces deux sections.

### Distribution de glaçons – plaque de distribution

1. Sélectionner le type de glace désiré en appuyant sur CUBED ICE (glaçons) ou CRUSHED ICE (glace concassée).

## AVERTISSEMENT



### Risque de coupure

Utiliser un verre robuste pour prendre des glaçons.

Le non-respect de cette instruction peut causer des coupures.

2. Appuyer un verre robuste contre la plaque de distribution. Tenir le verre près de l'ouverture du distributeur pour que les glaçons ne tombent pas à côté du verre.

**IMPORTANT :** Il n'est pas nécessaire d'exercer une pression importante sur la plaque pour activer le distributeur de glaçons. Une pression forte ne donne pas une distribution plus rapide de glaçons ou des quantités plus grandes.

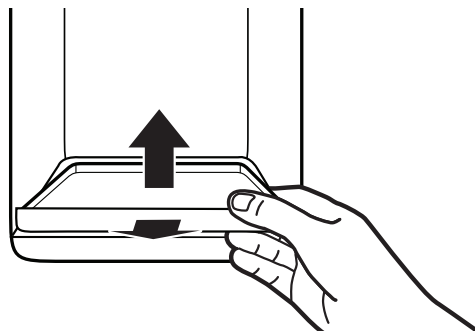
3. Retirer le verre pour arrêter la distribution.

**REMARQUE :** La distribution de glaçons peut se poursuivre pendant plusieurs secondes après que le verre a été retiré de la plaque du distributeur. Le distributeur peut continuer à faire du bruit pendant quelques secondes après la distribution.

## Plateau d'égouttement du distributeur

Le plateau d'égouttement peut être enlevé pour en vider le contenu dans l'évier ou le nettoyeur.

- Soulever l'avant du plateau et tirer vers l'avant pour le retirer.
- Le plateau d'égouttement peut également être retiré pour faciliter le remplissage mesuré/préfér.



## Lumière du distributeur

1. Lorsqu'on utilise le distributeur, l'éclairage s'allume automatiquement.
2. La lumière du distributeur peut aussi servir de veilleuse automatique la nuit. Une fois la lumière ambiante de la pièce tamisée, le capteur automatique permettra à la lumière du distributeur de s'allumer.

## Verrouillage du distributeur

Le distributeur peut être verrouillé pour faciliter le nettoyage ou pour éviter la distribution involontaire par de jeunes enfants ou par des animaux de compagnie.

**REMARQUE :** La fonction de verrouillage n'interrompt pas l'alimentation électrique au réfrigérateur ni la lampe du distributeur. Elle sert simplement à désactiver les commandes et leviers du distributeur. Pour éteindre la machine à glaçons, consulter la section "Machine à glaçons et bac d'entreposage".

- Appuyer sur CUBED ICE (glaçons) pendant 3 secondes pour verrouiller le distributeur.
- Appuyer sur CUBED ICE (glaçons) pendant 3 secondes pour déverrouiller le distributeur.
- L'écran d'affichage indique si le distributeur est verrouillé.

## Machine à glaçons et bac d'entreposage

**IMPORTANT :** Afin d'éviter une faible production de glaçons ou des glaçons de mauvaise qualité, vidanger le circuit d'eau avant de mettre en marche la machine à glaçons. Consulter la section "Distributeur d'eau".

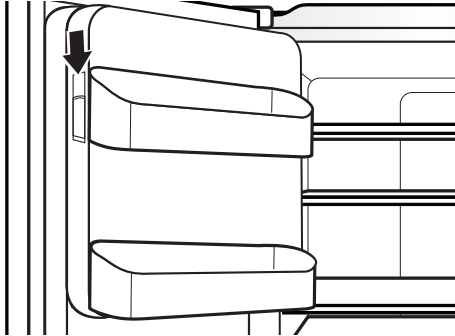
- Prévoir un délai de 24 heures après l'installation pour la production des premiers glaçons. Jeter les 3 premières quantités de glaçons produites. Accorder 2 à 3 jours au bac d'entreposage des glaçons pour qu'il se remplisse.
- La qualité des glaçons dépend de la qualité de l'eau fournie à la machine à glaçons. Éviter de connecter la machine à glaçons à une alimentation en eau adoucie. Les produits chimiques adoucisseurs d'eau (comme le sel) peuvent endommager certaines pièces de la machine à glaçons et entraîner une mauvaise qualité de glaçons. Si l'alimentation en eau adoucie ne peut être évitée, s'assurer que l'adoucisseur d'eau fonctionne bien et qu'il est bien entretenu.
- Si des glaçons sont agglomérés dans le bac d'entreposage, les briser à l'aide d'un ustensile en plastique et les jeter. Ne pas utiliser d'objet pointu pour briser la glace. Ceci peut endommager le bac d'entreposage et le mécanisme du distributeur.
- Ne rien conserver à l'intérieur du bac à glaçons.

## Style 1 – Machine à glaçons dans le réfrigérateur

La machine à glaçons est située dans la porte de gauche, derrière les balconnets. Les glaçons sont éjectés dans le bac d'entreposage à glaçons situé sur la porte de gauche du réfrigérateur.

### Mise en marche/arrêt de la machine à glaçons

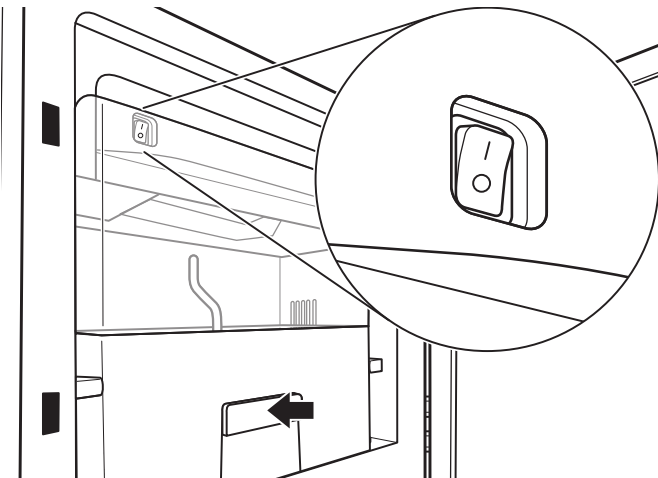
1. Pousser le loquet sur le côté gauche du compartiment à glaçons pour ouvrir la porte.



2. Mettre en marche la machine à glaçons en tournant le commutateur à la position marche (I).

### REMARQUES :

- Pour arrêter manuellement la machine à glaçons, placer la commande à la position arrêt (O).
- La machine à glaçons comporte un système d'arrêt automatique. Le détecteur arrête automatiquement la production de glaçons si le bac d'entreposage est plein, si la porte est ouverte ou si on retire le bac d'entreposage à glaçons. La commande restera en position marche.



3. Fermer la porte du compartiment à glaçons.

### Retrait et réinstallation du bac d'entreposage à glaçons

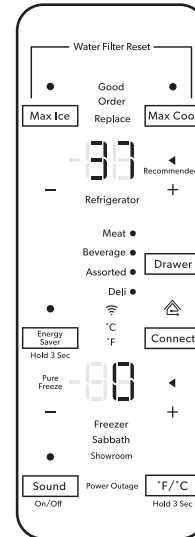
- Retirer le bac d'entreposage à glaçons en insérant les doigts dans le trou situé à la base du bac et en tirant le loquet pour libérer le bac du compartiment. Soulever le bac d'entreposage à glaçons en le soulevant et en le dégageant en ligne droite.
- Réinstaller le bac d'entreposage dans le compartiment à glaçons et appuyer dessus pour s'assurer qu'il est bien en place.

## Taux de production des glaçons

- Dans des conditions d'utilisation normales, la machine à glaçons devrait produire environ 3,2 lb (1,5 kg) de glaçons par jour.
- Pour augmenter la production de glaçons, sélectionner la fonction Max Ice (production de glaçons maximale) à partir du tableau de commande. La machine à glaçons devrait produire environ 4,2 lb (1,9 kg) de glaçons par jour. Voir la section "Utilisation des commandes".

## Style 2 – Machine à glaçons dans le congélateur (sur certains modèles)

### Mise en marche/arrêt de la machine à glaçons



Pour mettre en marche la machine à glaçons, appuyer sur la touche Max Ice (production de glaçon maximale) située sur l'affichage à l'intérieur de la porte de gauche. L'icône clignote 3 fois, puis reste affichée.

Pour fermer manuellement la machine à glaçons, appuyer sur la touche Max Ice (production de glaçons maximale). L'affichage clignote 3 fois, puis s'éteint.

### REMARQUES :

- La machine à glaçons comporte un système d'arrêt automatique. Le détecteur arrête automatiquement la production de glaçons si le bac d'entreposage est plein, si la porte est ouverte. La commande restera en position de marche.
- Éteindre la machine à glaçons avant de retirer le bac d'entreposage pour servir des glaçons ou pour nettoyer le bac. Ceci empêchera les glaçons de tomber de la machine à glaçons et dans le compartiment de congélation. Après avoir remplacé le bac d'entreposage, mettre en marche la machine à glaçons.

## Taux de production des glaçons

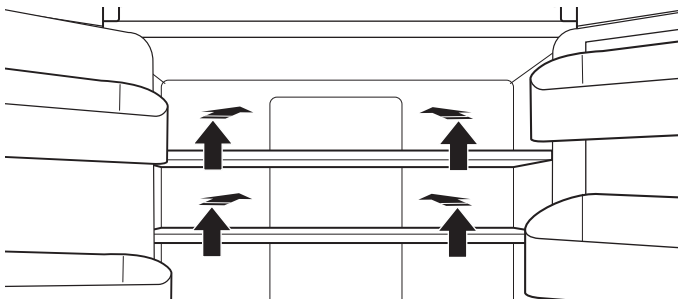
- Dans des conditions d'utilisation normales, votre machine à glaçons devrait produire environ 3,5 lb (1,6 kg) de glaçons par jour.
- Pour augmenter la production de glaçons, sélectionner la fonction Max Ice (production de glaçons maximale) à partir du tableau de commande. La machine à glaçons devrait produire environ 4,6 lb (2,1 kg) de glaçons par jour. Voir la section "Utilisation des commandes".

## Tablettes, balconnets et tiroirs

### Tablette en verre pliable

Certaines tablettes se rabattent pour créer de la place pour des articles plus grands. Certains modèles sont munis de deux tablettes en verre pliable.

1. Pour rabattre la section avant de la tablette, pousser sur la section réglable de la tablette vers l'arrière du réfrigérateur, aussi loin qu'il est possible de le faire.
2. Déployer l'avant en verre et la garniture de la tablette en tirant sur la partie rétractée de la tablette jusqu'à ce qu'elle soit complètement déployée.

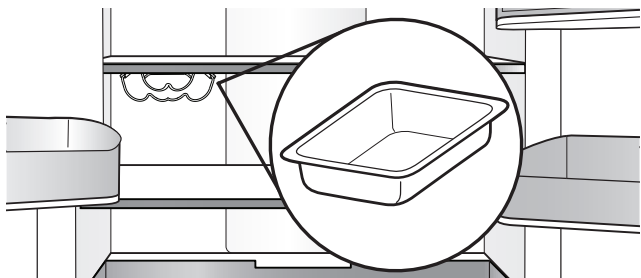


### Casier ou support à vin

Sous une des tablettes, des équerres de support sont accrochées sur les crémaillères (une équerre sur chaque crémaillère). Le casier ou support à vin est accroché sur les équerres. Deux bouteilles peuvent être rangées dans le support à vin sans prendre d'espace de tablette.

#### Retrait et réinstallation du casier à vin :

1. Dépose – Soulever le casier/support à vin pour le dégager de ses supports. Comprimer le côté droit (vers l'intérieur) pour le libérer totalement du support incorporé à l'équerre. Abaisser légèrement le côté droit, puis dégager le côté gauche du support incorporé à l'équerre de gauche.
2. Réinstallation – Insérer le côté gauche du casier/support à vin dans le support incorporé à l'équerre de gauche. Comprimer le côté droit (vers l'intérieur) pour pouvoir faire glisser ce côté dans le support incorporé à l'équerre de droite.



#### Importants renseignements à savoir au sujet des tablettes et des couvercles en verre :

Ne pas nettoyer les tablettes ou couvercles en verre avec de l'eau tiède quand ils sont froids. Les tablettes et les couvercles peuvent se briser s'ils sont exposés à des changements soudains de température ou à un impact tel que coup brusque. Le verre trempé est conçu pour éclater en d'innombrables pièces minuscules. Ceci est normal. Les tablettes et les couvercles en verre sont lourds. Les saisir à deux mains lors de leur dépose afin d'éviter de les faire tomber.

### Tablettes et cadres de tablettes

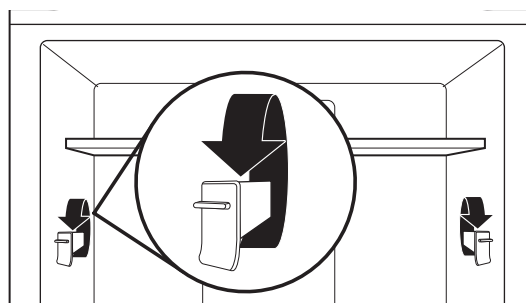
Les tablettes de réfrigérateur sont réglables afin de s'adapter à vos besoins de rangement.

Afin de pouvoir trouver plus facilement l'article recherché, on peut remiser ensemble des aliments semblables dans le réfrigérateur et régler les tablettes pour les adapter aux différentes tailles d'articles. Ceci réduira également la durée d'ouverture de la porte du réfrigérateur et permettra d'économiser de l'énergie.

#### Réglage de la hauteur de tablettes

La hauteur de tablette peut être ajustée en repositionnant les supports ajustables de tablettes sur leurs axes vertical et horizontal.

1. Retirer doucement la tablette en la soulevant de ses supports, puis tourner la languette selon l'orientation souhaitée.
2. Répéter l'opération pour les supports de tablette restants.
3. Appliquer une pression sur le haut de la tablette pour vérifier qu'elle est correctement appuyée sur les supports de tablette.



#### Pour enlever et réinstaller les tablettes :

1. S'assurer que les supports ajustables de tablettes sont placés à la position la plus basse avant de retirer les tablettes. Les portes doivent aussi être ouvertes à un angle de 90°. Les tablettes seront plus difficiles à retirer si les portes sont ouvertes plus grand.
2. Ôter la tablette du milieu ou supérieure en la soulevant pour la sortir des supports de tablette. Tirer ensuite sur la tablette et l'incliner en position verticale vers le bas. Incliner la tablette à un angle et la retirer du réfrigérateur.

#### REMARQUES :

- La tablette du milieu doit être retirée avant celle du haut.
  - Les tablettes coulissantes en verre Infinity devraient être repoussées vers le fond. Lorsqu'elles sont inclinées, s'assurer que le verre ne glisse pas vers l'avant.
3. Ôter la tablette du bas en la soulevant pour la sortir des supports de tablette. Tirer ensuite sur la tablette en l'inclinant à la verticale vers le haut. Incliner la tablette à un angle et la retirer du réfrigérateur.
  4. Replacer la tablette du milieu et du haut en les plaçant dans le réfrigérateur en utilisant un angle, l'avant de la tablette vers le bas. Soulever l'avant de la tablette vers le haut jusqu'à ce que l'arrière de la tablette se place sur les supports de tablette. Abaisser l'avant de la tablette et s'assurer que la tablette est bien en position.
  5. Replacer la tablette du bas en la plaçant dans le réfrigérateur en utilisant un angle, l'avant de la tablette vers le haut. Incliner l'avant de la tablette jusqu'à ce que l'arrière de la tablette se place sur les supports de tablette. Abaisser l'avant de la tablette et s'assurer que la tablette est bien en position.

#### Tablettes équipées d'éclairage à DEL par en dessous (sur certains modèles)

En déplaçant l'éclairage à DEL à un nouvel emplacement sous les tablettes, cette technologie de pointe améliore l'éclairage de l'intérieur du réfrigérateur et aide à retrouver les articles désirés.

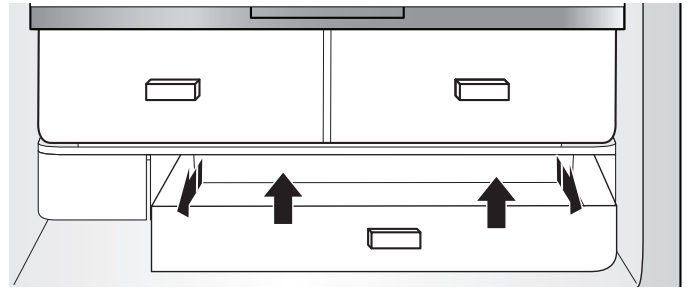
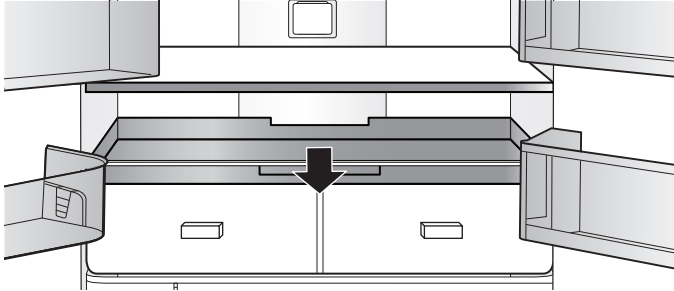


## Tablette amovible

### Enlever et réinstaller une tablette amovible :

**REMARQUE :** Les portes du réfrigérateur doivent être enlevées afin de pouvoir retirer l'espace de rangement à plateau. Voir la section "Enlever et remplacer les portes du réfrigérateur" pour plus d'informations.

1. Tirer sur la tablette amovible jusqu'à ce qu'elle soit en position ouverte complète.
2. Localiser les pinces de retenue de la tablette amovible situées de chaque côté. Elles sont situées sous la tablette amovible.
3. Appuyer sur les pinces du bas à l'aide de vos doigts.
4. Une fois les pinces désengagées, retirer avec soins la tablette amovible.



### Remise en place du couvercle des bacs à légumes :

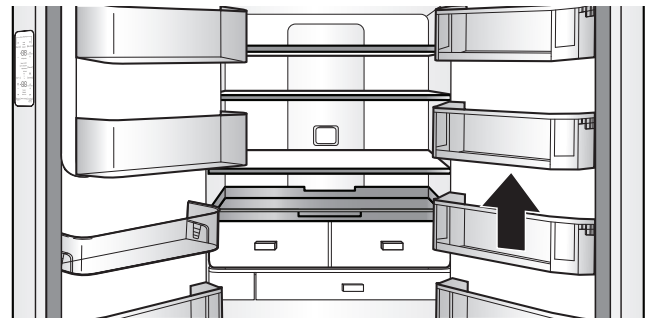
1. Retirer le plateau du bac à légumes, la tablette amovible et le verre du bac à légumes avant d'ôter le bac à légumes.
2. Placer l'arrière du cadre du couvercle dans les supports des parois latérales du réfrigérateur et abaisser l'avant du cadre du couvercle pour le mettre en place.
3. Faire glisser l'encart arrière de verre dans le cadre du couvercle et abaisser l'avant pour le mettre en place.

## Balconnets de porte du réfrigérateur

Les balconnets dans les portes du réfrigérateur sont réglables afin de s'adapter à vos besoins de rangement. Les balconnets de grande taille permettent de facilement personnaliser l'espace de rangement des portes pour y ranger des bouteilles de grande taille.

### Séparateur de balconnets de porte (sur certains modèles)

Le séparateur peut être utilisé dans les balconnets de porte pour les diviser et soulever les articles plus petits rangés à l'arrière du balconnet.



## Tiroirs-bacs à légumes Humidiseal™

### Retrait et réinstallation des tiroirs :

1. Saisir la poignée au bas du tiroir et soulever l'avant du tiroir jusqu'à passer la butée du tiroir et extraire le tiroir en le faisant glisser vers l'extérieur jusqu'à la butée. Retirer le tiroir des guides inférieurs.
2. Replacer le tiroir en le plaçant sur la glissière inférieure du tiroir et en le poussant au-delà de la butée d'arrêt du tiroir.

### Pour enlever le couvercle des bacs à légumes (ne peut être enlevé que si la tablette amovible est d'abord enlevée) :

1. Enlever tout d'abord la tablette amovible.
2. En maintenant fermement l'encart de verre d'une main, appuyer sur le milieu de l'encart de verre jusqu'à ce qu'il s'élève au-dessus du cadre en plastique. Faire glisser doucement l'encart de verre vers l'avant pour le retirer.

## Boîte Herb Tender™

Le bac à fines herbes comporte une boîte pour y ranger les herbes et l'eau pour les conserver fraîches. Pour plus de commodité, il est possible de placer la boîte Herb Tender™ n'importe où dans le bac.

## Tiroirs du congélateur

### Compartiment pour petits articles (sur certains modèles)

Le séparateur de tiroir ne peut être enlevé et est conçu pour les articles petits et délicats. Pour une plus grande souplesse de rangement, on peut déplacer le tiroir vers l'avant ou l'arrière pour entreposer des articles plus gros dans une section donnée du congélateur.

### Espace à pizza

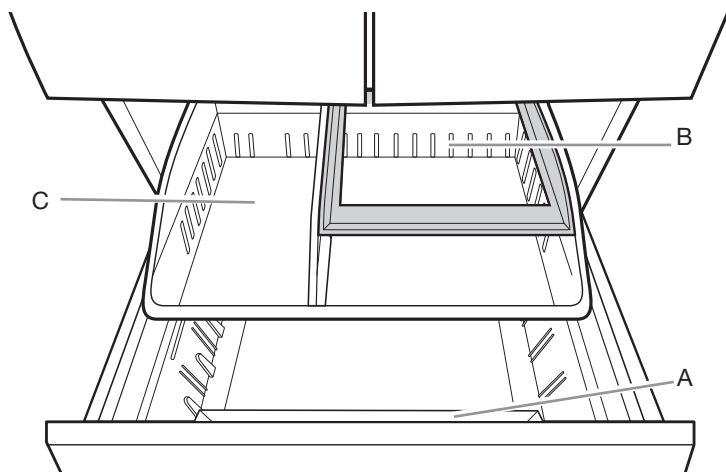
Un espace à l'avant du tiroir permet le stockage à la verticale de boîtes de pizza supplémentaires.

### Troisième niveau

Cette tablette ne peut être enlevée. Pour permettre l'accès, le troisième niveau peut être déplacé vers l'arrière, ce qui permet d'atteindre des articles dans la zone de dessous.

### Bac à glaçons (sur certains modèles)

Stockage des glaçons de la deuxième machine à glaçons



A. Espace à pizza  
B. Troisième niveau  
C. Bac à glaçons (non présenté)

## Référence audio

### Tonalités

Nom de tonalité	Exemples d'utilisation
APPAREIL MIS SOUS TENSION	Le système de refroidissement se met en marche dès que le produit est alimenté.
ARRÊT DE L'ALIMENTATION	Le système de refroidissement est désactivé.
TOUCHE UTILISÉE	L'utilisateur appuie sur une touche valide.
INVALIDE (ERREUR)	L'utilisateur appuie sur 2 boutons valides ou plus en même temps. Le compte à rebours est interrompu pendant la pression des boutons. L'utilisateur appuie sur la plaque lorsque la distribution n'est pas autorisée.
ENGAGÉ	L'IU est déverrouillée. La fonction production de glaçons maximale est activée. La distribution du remplissage mesuré est terminée. Smart Grid est activé lorsqu'une connexion Wi-Fi est exécutée par l'utilisateur.
DÉSENGAGÉ	L'IU est déverrouillée. La fonction production de glaçons maximale est désactivée. Le décompte du distributeur est terminé.
ALERTE	Alerte Wi-Fi, porte entrouverte ou connexion Wi-Fi perdue pendant 12 heures.

Tableau de référence rapide seulement. Consulter la section correspondante pour plus de détails. En cas de différence, utiliser les renseignements de la section.

# ENTRETIEN DU RÉFRIGÉRATEUR

## Nettoyage

### AVERTISSEMENT



#### Risque d'explosion

Utiliser un produit de nettoyage ininflammable.

Le non-respect de cette instruction peut causer un décès, une explosion ou un incendie.

Les sections de réfrigération et de congélation se dégivrent automatiquement. Toutefois, nettoyer les deux compartiments environ une fois par mois afin d'éviter une accumulation d'odeurs. Essuyer les renversements immédiatement.

#### Nettoyage des surfaces externes

Consulter les instructions de nettoyage extérieur relatives à votre modèle.

##### Style 1 – Porte lisse

**IMPORTANT :** Les dommages au revêtement lisse en raison d'un mauvais usage des produits nettoyants ou de l'utilisation de produits nettoyants non recommandés ne sont pas couverts par la garantie. Des instruments aiguisés ou coupants dépareraient le revêtement.

UTILISER	NE PAS UTILISER
✓ Chiffon doux et propre	<ul style="list-style-type: none"> <li>✗ Chiffons abrasifs</li> <li>✗ Essuie-tout ou papier journal</li> <li>✗ Tampons en laine d'acier</li> </ul>
✓ Eau tiède et savonneuse avec détergent doux	<ul style="list-style-type: none"> <li>✗ Poudres ou liquides abrasifs</li> <li>✗ Nettoyants à vitre en vaporisateur</li> <li>✗ Ammoniaque</li> <li>✗ Nettoyants acides ou à base de vinaigre</li> <li>✗ Nettoyants à four</li> <li>✗ Fluides inflammables</li> </ul>

**REMARQUE :** Les essuie-tout peuvent érafler et ternir le revêtement transparent de la porte peinte. Afin d'éviter tout dommage éventuel, utiliser des chiffons en tissu doux pour polir et essuyer la porte.

##### Style 2 – Acier inoxydable

#### IMPORTANT :

- N'utiliser que les produits de nettoyage et les lingettes pour acier inoxydable uniquement. Les dommages au revêtement en acier inoxydable en raison d'un mauvais usage des produits nettoyants ou de l'utilisation de produits nettoyants non recommandés ne sont pas couverts par la garantie.
- Ne pas exposer les électroménagers en acier inoxydable à des éléments caustiques ou corrosifs tels que le sel, un niveau élevé d'humidité ou des environnements très humides. Les dommages causés par l'exposition à de tels éléments ne sont pas couverts par la garantie.

UTILISER	NE PAS UTILISER
✓ Chiffon doux et propre	<ul style="list-style-type: none"> <li>✗ Chiffons abrasifs</li> <li>✗ Essuie-tout ou papier journal</li> <li>✗ Tampons en laine d'acier</li> </ul>
✓ Eau tiède et savonneuse avec détergent doux	<ul style="list-style-type: none"> <li>✗ Poudres ou liquides abrasifs</li> <li>✗ Ammoniaque</li> <li>✗ Nettoyants à base d'agrumes</li> <li>✗ Nettoyants acides ou à base de vinaigre</li> <li>✗ Nettoyants à four</li> </ul>
✓ Pour les saletés importantes, utiliser UNIQUEMENT un nettoyant pour acier inoxydable conçu pour les appareils concernés. Pour commander le nettoyant, voir la section "Accessoires".	✗ Le nettoyant pour acier inoxydable doit être utilisé sur les pièces en acier inoxydable uniquement! Veiller à ce que le nettoyant et poli pour acier inoxydable n'entre pas en contact avec les pièces de plastique comme les garnitures, couvercles de distributeurs ou joints de porte.

#### REMARQUES :

- En cas de contact non intentionnel, nettoyer la pièce de plastique avec une éponge et un détergent doux dans de l'eau tiède. Sécher soigneusement avec un chiffon doux.
- Un nettoyant sous forme liquide ne signifie pas forcément qu'il n'est pas abrasif. Beaucoup de nettoyants liquides formulés pour nettoyer le carrelage et autres surfaces lisses en douceur peuvent tout de même endommager l'acier inoxydable.
- L'acide citrique décolore l'acier inoxydable de façon définitive. Afin d'éviter d'endommager le fini en acier inoxydable du réfrigérateur :

#### Ne pas laisser les produits suivants pendant une durée prolongée sur le revêtement

- ✗ Moutarde
- ✗ Sauces à base d'agrumes
- ✗ Jus de tomate
- ✗ Produits à base d'agrumes
- ✗ Sauce marinera

#### Nettoyage de l'intérieur

**IMPORTANT :** Les tablettes du réfrigérateur équipées d'éclairage DEL par en dessous ne sont pas lavables au lave-vaisselle.

1. Débrancher le réfrigérateur ou déconnecter la source de courant électrique.
2. Laver à la main, rincer et sécher les pièces amovibles et les surfaces internes soigneusement. Utiliser une éponge propre ou un linge doux et un détergent doux dans de l'eau tiède.

**REMARQUE :** Ne pas utiliser de nettoyants puissants ou abrasifs tels que les nettoyants à vitre en atomiseurs, nettoyants à récurer, liquides inflammables, cires nettoyantes, détergents concentrés, agents de blanchiment ou nettoyants contenant du pétrole sur les pièces en plastique, les garnitures intérieures et garnitures de portes ou sur les joints de portes.

3. Brancher le réfrigérateur ou reconnecter la source de courant électrique.

#### Nettoyage du condensateur

Le condensateur n'a pas besoin d'être nettoyé souvent dans des conditions de fonctionnement domestique normales. Si l'environnement est particulièrement gras, poussiéreux, ou s'il y a des animaux domestiques dans la maison, le condensateur devrait être nettoyé tous les 6 mois pour assurer une efficacité maximale.

**Communiquer avec le service si le condensateur a besoin d'être nettoyé.**

---

## Lampes

Les lampes dans le réfrigérateur et le congélateur sont à DEL et n'ont pas besoin d'être remplacées. Si les lampes ne s'allument pas lorsqu'on ouvre la porte, appeler les numéros fournis pour obtenir de l'aide ou un dépannage. Aux États-Unis, composer le **1 800 253-1301**. Au Canada, composer le **1 800 807-6777**.

---

## Précautions à prendre pour les vacances ou le déménagement

---

### Vacances

#### Si le réfrigérateur est laissé en marche pendant son absence :

1. Consommer toutes les denrées périssables et congeler les autres articles.
2. Si le réfrigérateur comporte une machine à glaçons automatique et qu'il est raccordé à la source d'approvisionnement en eau du domicile, fermer la source d'approvisionnement en eau du réfrigérateur. Des dommages matériels peuvent subvenir si l'alimentation en eau n'est pas coupée.
3. Si votre machine à glaçons est automatique, éteindre la machine à glaçons.
  - Mettre le commutateur de la machine à glaçons de la porte sur arrêt.
4. Vider le bac à glaçons.

#### Si l'utilisateur choisit d'arrêter le réfrigérateur avant son absence :

**REMARQUE :** Placer le réfrigérateur en mode d'exposition en cas d'absence.

Voir la section "Utilisation des commandes".

1. Enlever tous les aliments du réfrigérateur.
2. Si le réfrigérateur est équipé d'une machine à glaçons automatique :
  - Fermer l'approvisionnement en eau de la machine à glaçons au moins un jour à l'avance.
  - Lorsque les derniers glaçons tombent, appuyer sur le commutateur de fermeture pour éteindre l'affichage du haut, à l'intérieur du réfrigérateur, selon le modèle.
3. Vider le bac à glaçons.
4. Éteindre les commandes de température. Voir la section "Utilisation des commandes".
5. Nettoyer le réfrigérateur, l'essuyer et bien le sécher.
6. À l'aide d'un ruban adhésif, placer des blocs de caoutchouc ou de bois dans la partie supérieure de chaque porte de façon à ce qu'elles soient suffisamment ouvertes pour permettre à l'air d'entrer et d'éviter l'accumulation d'odeur ou de moisissure.

---

## Déménagement

En cas de déménagement et de déplacement du réfrigérateur dans une nouvelle habitation, suivre ces étapes pour préparer le déménagement.

1. Si le réfrigérateur est équipé d'une machine à glaçons automatique :
  - Fermer l'approvisionnement en eau de la machine à glaçons au moins un jour à l'avance.
  - Débrancher la canalisation d'eau de l'arrière du réfrigérateur.
  - Lorsque les derniers glaçons tombent, appuyer sur le commutateur pour fermer la machine à glaçons de la porte ou les commandes, selon le modèle.
2. Retirer tous les aliments du réfrigérateur et placer tous les aliments congelés dans de la neige carbonique.
3. Vider le bac à glaçons.
4. Débrancher le réfrigérateur.
5. Bien nettoyer, essuyer et sécher.
6. Retirer toutes les pièces amovibles, bien les envelopper et les attacher ensemble avec du ruban adhésif pour qu'elles ne bougent et ne s'entrechoquent pas durant le déménagement.
7. Selon le modèle, soulever l'avant du réfrigérateur pour qu'il roule plus facilement OU soulever les pieds de nivellement pour qu'ils n'égratignent pas le plancher. Consulter la section "Ajustement des portes" ou "Fermeture et alignement des portes".
8. Fermer les portes à l'aide de ruban adhésif et fixer le cordon d'alimentation à la partie arrière du réfrigérateur.

Lors de l'arrivée au nouveau domicile, remettre tout en place et consulter la section "Instructions d'installation" pour les instructions de préparation. Aussi, si le réfrigérateur comporte une machine à glaçons automatique, ne pas oublier de rebrancher l'approvisionnement en eau au réfrigérateur.

# DÉPANNAGE – MODÈLES AVEC CONNEXION

Essayez d'abord les solutions suggérées ici. Pour obtenir de l'aide ou des conseils qui permettront peut-être d'éviter une intervention de dépannage, consulter la page de garantie de ce manuel, visiter le site Web au [www.jennair.com/connect](http://www.jennair.com/connect) ou composer le **1 877 559-2603**. Au Canada, visiter le [www.jennair.ca/fr/connect](http://www.jennair.ca/fr/connect).

Il est possible d'adresser ses commentaires ou questions par courrier à l'adresse ci-dessous :

Aux États-Unis : JennAir Brand Home Appliances Customer eXperience Center 553 Benson Road Benton Harbor, MI 49022-2692	Au Canada : JennAir Brand Home Appliances Customer eXperience Centre 200 – 6750 Century Ave. Mississauga, Ontario L5N 0B7
--	---

Veuillez indiquer dans votre correspondance un numéro de téléphone où l'on peut vous joindre dans la journée.

État de connexion	Témoins lumineux du panneau de commande
Le réfrigérateur n'est pas connecté.	L'icône Wi-Fi est fermée
Le réfrigérateur essaie de se connecter au routeur Wi-Fi domestique	L'icône Wi-Fi clignote lentement.
Le réfrigérateur est connecté au routeur Wi-Fi domestique, mais l'application JennAir ou la fonction Smart Grid ne fonctionne pas	L'icône Wi-Fi est allumée
Le réfrigérateur est connecté au routeur Wi-Fi domestique et l'application JennAir fonctionne	L'icône Wi-Fi est allumée

Essayer d'abord les solutions suggérées ici ou visiter notre site Web au [www.jennair.com/connect](http://www.jennair.com/connect).

Si les problèmes suivants surviennent	Causes possibles	Solution
Le réfrigérateur n'est pas connecté au routeur Wi-Fi domestique. (L'icône Wi-Fi est fermée.)	Le réfrigérateur peut être en mode Attente.	Appuyer sur le bouton Connect (connecter) pendant 3 secondes pour voir l'icône Wi-Fi clignoter, puis s'allumer complètement. Toutes les lumières des témoins sont fermées pendant le mode Attente.
	Le réfrigérateur n'a encore jamais été branché au routeur Wi-Fi domestique.	Consulter la section "Configuration de la connectivité".
	Perte de la connexion avec le routeur Wi-Fi domestique.	Vérifier si le routeur est en marche et fonctionnel en utilisant d'autres ordinateurs ou appareils de la maison (capables d'accéder à Internet).
	Signal faible ou interférence entre le réfrigérateur et le routeur.	Essayer de positionner le routeur sans fil plus près du réfrigérateur. Il pourrait être nécessaire d'installer un amplificateur Wi-Fi.
L'icône Wi-Fi ne s'allume pas après avoir appuyé sur le bouton CONNECT.	Il peut y avoir un problème avec le réfrigérateur.	Débrancher le réfrigérateur ou déconnecter la source de courant électrique pendant 30 secondes. Rebrancher. Répéter le processus de connexion Wi-Fi.
		Vérifier que le réfrigérateur fonctionne correctement (sauf pour le problème de connexion). Appeler pour un éventuel dépannage supplémentaire.
Le réfrigérateur est connecté au routeur Wi-Fi domestique, mais l'application JennAir ne fonctionne pas.	La connexion à l'application JennAir peut ne pas être disponible.	Vérifier Internet.
	Le compte d'utilisateur n'a pas été correctement configuré ou le réfrigérateur n'a pas été enregistré pour ce compte.	Consulter la section "Configuration de la connectivité" ou l'application JennAir pour connaître les instructions de configuration du compte et d'enregistrement du réfrigérateur.
		Vérifier que le réfrigérateur est jumelé à votre compte dans l'application.
		Vérifier que le courriel, le numéro d'appareil mobile et les préférences de notification sont corrects.
Le routeur n'est pas connecté à Internet.	Vérifier que d'autres appareils peuvent se connecter à Internet en utilisant le même routeur.	
Aucune connexion avec le réfrigérateur après plusieurs tentatives.	Wi-Fi déconnecté	Appuyer sur le bouton Connect (connecter) pendant 3 secondes pour activer le Wi-Fi. Fermer le disjoncteur pendant environ 30 secondes ou plus, puis le réenclencher. Utiliser ensuite les instructions de configuration alternative disponibles au <a href="http://www.jennair.com/connect">www.jennair.com/connect</a> .

# DÉPANNAGE

Essayez d'abord les solutions suggérées ici. Pour obtenir de l'aide ou des conseils qui permettront peut-être d'éviter une intervention de dépannage, consulter la page de garantie de ce manuel, visiter le site [www.jennair.custhelp.com](http://www.jennair.custhelp.com) ou composer le **1 800 253-1301**. Au Canada, visiter le [www.jennair.ca](http://www.jennair.ca).

Il est possible d'adresser ses commentaires ou questions par courrier à l'adresse ci-dessous :

<p>Aux États-Unis :</p> <p>JennAir Brand Home Appliances Customer eXperience Center 553 Benson Road Benton Harbor, MI 49022-2692</p>	<p>Au Canada :</p> <p>JennAir Brand Home Appliances Customer eXperience Centre 200 – 6750 Century Ave. Mississauga, Ontario L5N 0B7</p>
--	---

Veuillez indiquer dans votre correspondance un numéro de téléphone où l'on peut vous joindre dans la journée.

Essayer d'abord les solutions suggérées ici ou visiter notre site Web au [www.jennair.custhelp.com](http://www.jennair.custhelp.com).

## Fonctionnement du réfrigérateur

### **⚠ AVERTISSEMENT**



#### Risque de choc électrique

**Brancher sur une prise à 3 alvéoles reliée à la terre.**

**Ne pas enlever la broche de liaison à la terre.**

**Ne pas utiliser un adaptateur.**

**Ne pas utiliser un câble de rallonge.**

**Le non-respect de ces instructions peut causer un décès, un incendie ou un choc électrique.**

Si les problèmes suivants surviennent	Causes possibles	Solution
Le réfrigérateur ne fonctionne pas.	Inspecter l'alimentation électrique.	Brancher le cordon d'alimentation dans une prise à 3 alvéoles reliée à la terre.
		Ne pas utiliser de rallonge.
		S'assurer que la prise est alimentée. Brancher une lampe pour voir si la prise fonctionne.
	Réarmer le disjoncteur déclenché. Remplacer tout fusible grillé. <b>REMARQUE</b> : Si le problème persiste, appeler un électricien.	
	Inspecter les commandes.	S'assurer que les commandes sont activées. Voir la section "Utilisation des commandes".
	Nouvelle installation	Accorder 24 heures après l'installation pour que le réfrigérateur se refroidisse complètement. <b>REMARQUE</b> : Le fait de placer les commandes de température sur le réglage le plus froid ne refroidira pas le compartiment plus rapidement.
	Les commandes du réfrigérateur sont en mode d'exposition (sur certains modèles).	Si le réfrigérateur est en mode d'exposition, le refroidissement est désactivé et "Exposition" s'allume sur le tableau de commande. Consulter la section "Utilisation des commandes" pour plus de renseignements.

# DÉPANNAGE

Essayer d'abord les solutions suggérées ici ou visiter notre site Web au [www.jennair.custhelp.com](http://www.jennair.custhelp.com).

Si les problèmes suivants surviennent	Causes possibles	Solution
<b>Fonctionnement du réfrigérateur (suite)</b>		
Le moteur semble fonctionner excessivement	Compresseur et ventilateur à rendement élevé	Un réfrigérateur éconergique de grande taille fonctionne à une vitesse inférieure et plus éconergique que d'autres appareils.
	La température de la pièce ou la température extérieure est élevée.	Il est normal que le réfrigérateur fonctionne pendant plus longtemps dans ces conditions. Pour un rendement optimal, placer le réfrigérateur dans un environnement d'intérieur à température stable. Voir la section "Exigences d'emplacement".
	Une grande quantité d'aliments tièdes a été récemment ajoutée.	Lorsqu'on place des aliments tièdes dans le réfrigérateur, l'appareil fonctionne plus longtemps : jusqu'à ce que l'air soit refroidi à la température désirée.
	Les portes sont ouvertes fréquemment ou pendant trop longtemps.	L'air tiède qui entre dans le réfrigérateur prolonge son fonctionnement. Ouvrir la porte moins souvent.
	La porte du réfrigérateur ou du tiroir du congélateur est entrouverte.	Vérifier que le réfrigérateur est de niveau. Consulter la section "Fermeture et alignement des portes". Empêcher les aliments et les récipients d'obstruer la porte.
	La commande du réfrigérateur est placée à un réglage trop froid.	Placer la commande du réfrigérateur à un réglage moins froid jusqu'à ce que la température du réfrigérateur souhaitée soit atteinte.
	Le joint de la porte ou du tiroir est sale, usagé ou craquelé.	Nettoyer ou remplacer le joint d'étanchéité. Si le joint de la porte présente des fuites, le réfrigérateur fonctionnera plus longtemps pour maintenir la température souhaitée.
Les ampoules ne fonctionnent pas.	Votre réfrigérateur est muni de DEL qui ne doivent pas être remplacées par l'utilisateur.	Si le réfrigérateur est alimenté, mais que les DEL ne fonctionnent pas lorsqu'une porte ou un tiroir est ouvert, communiquer avec le service pour obtenir de l'aide.
	Les portes ont été ouvertes pendant plus de 10 minutes.	Fermer les portes et le tiroir à réinitialiser, puis les rouvrir pour reprendre la tâche surlignée.
	Le contacteur de la porte ne détecte pas l'ouverture de la porte.	S'assurer qu'aucun aimant ou appareil électronique se trouve à moins de 3 po (7,6 cm) du couvre-charnière.
L'IU des commandes de température ne s'allume pas.	Le contacteur de la porte ne détecte pas l'ouverture de la porte.	S'assurer qu'aucun aimant ou appareil électronique se trouve à moins de 3 po (7,6 cm) du couvre-charnière.
<b>Sons inhabituels</b>		
Pour écouter des bruits qui font partie du fonctionnement normal du réfrigérateur, consulter la section Aide avec le produit/FAQ du site Web de notre marque à la section "Bruits normaux". Voici une liste de sons normaux, accompagnée d'explications.		
Le réfrigérateur semble bruyant	Le compresseur de votre nouveau réfrigérateur régule la température plus efficacement tout en utilisant moins d'énergie; il fonctionne aussi plus silencieusement.	Les bruits de fonctionnement étant moins importants, il sera possible de remarquer des bruits inconnus qui sont en réalité normaux.
Le bruit du compresseur qui fonctionne plus longtemps que prévu.	Compresseur et ventilateur à rendement élevé	Un réfrigérateur éconergique de grande taille fonctionne à une vitesse inférieure et plus éconergique que d'autres appareils.
Pulsation/bruissement	Les ventilateurs/le compresseur qui se règlent pour optimiser le rendement durant le fonctionnement normal du compresseur	Ceci est normal.
Éclatement	Contraction/expansion des parois internes, surtout lors du refroidissement initial	Ceci est normal.
Sifflement/égouttement	Écoulement de liquide réfrigérant ou d'huile dans le compresseur	Ceci est normal.
Vibration	Le réfrigérateur n'est peut-être pas stable.	Ajuster les vis de nivellement et abaisser le pied de nivellement avant de façon à ce qu'il soit bien en contact avec le plancher. Consulter la section "Fermeture et alignement des portes".

# DÉPANNAGE

Essayer d'abord les solutions suggérées ici ou visiter notre site Web au [www.jennair.custhelp.com](http://www.jennair.custhelp.com).

Si les problèmes suivants surviennent	Causes possibles	Solution
<b>Sons inhabituels (suite)</b>		
Entrechoquement/martèlement	Mouvement des conduites d'eau contre la caisse du réfrigérateur ou d'objets posés sur le dessus de la caisse du réfrigérateur	Éloigner l'excédent de canalisation d'eau de la caisse du réfrigérateur ou la fixer dessus. Consulter la section "Raccordement de l'eau" ou retirer les objets du sommet du réfrigérateur.
Grésillement	De l'eau goutte sur l'élément de chauffage durant le programme de dégivrage	Ceci est normal.
Écoulement d'eau/gargouillement	Peut se produire lorsque la glace fond lors du programme de dégivrage et que l'eau s'écoule dans le plateau de dégivrage.	Ceci est normal.
Bourdonnement et cliquetis	Se produit lorsque le robinet d'eau s'ouvre et se referme pour distribuer de l'eau ou remplir la machine à glaçons.	Si le réfrigérateur est raccordé à une canalisation d'arrivée d'eau, cela est normal. Éteindre la machine à glaçons si le réfrigérateur n'est pas raccordé à une canalisation d'arrivée d'eau.
Cliquetis répétitif	Soupape de régulation double de la fonction de refroidissement	Un son de cliquetis rapide et répétitif peut être entendu lorsque l'unité passe du refroidissement d'un compartiment à un autre. Ceci est normal.
Craquement/broyage	Peut se produire lorsque la glace est éjectée du moule à glaçons.	Ceci est normal.
Fracas	Peut se produire lorsque les glaçons tombent dans le bac d'entreposage.	Ceci est normal.
<b>Température et humidité</b>		
La température est trop élevée.	Le réfrigérateur vient d'être installé.	Accorder 24 heures après l'installation pour que le réfrigérateur se refroidisse complètement.
	Le refroidissement est désactivé.	Activer le refroidissement. Voir la section "Utilisation des commandes".
	Le réglage des commandes n'est pas adapté à l'environnement de l'appareil.	Régler les commandes à un cran plus froid. Vérifier la température au bout de 24 heures. Voir la section "Utilisation des commandes".
	La/les portes sont ouvertes fréquemment ou ne sont pas complètement fermées. Ceci permet à l'air chaud de pénétrer dans le réfrigérateur.	Minimiser les ouvertures de porte et garder les portes complètement fermées.
	Une grande quantité d'aliments a été récemment ajoutée.	Attendre quelques heures pour permettre au réfrigérateur de revenir à une température normale.
La température est trop basse dans le réfrigérateur/bac à légumes.	L'ouverture/les ouvertures d'évacuation du réfrigérateur est/sont bloquée(s).	Si l'ouverture d'évacuation située au milieu à l'arrière du compartiment de réfrigération est obstruée par des articles placés directement devant, le réfrigérateur sera trop froid. Éloigner les objets de l'ouverture d'évacuation.
	Le réglage des commandes n'est pas adapté à l'environnement de l'appareil.	Régler les commandes à un réglage plus chaud. Vérifier la température au bout de 24 heures. Voir la section "Utilisation des commandes".
	Le bac d'entreposage à glaçons est mal installé.	Voir la section "Machine à glaçons et bac/seau de stockage".
La température est trop basse dans le garde-manger.	Le réglage des commandes n'est pas adapté aux articles entreposés dans le tiroir.	Modifier le réglage de température. Voir la section "Utilisation des commandes".
Il y a accumulation d'humidité à l'intérieur. <b>REMARQUE :</b> Une certaine accumulation d'humidité est normale.	La pièce est humide.	Un environnement humide contribue à l'accumulation d'humidité.
	La/les portes sont ouvertes fréquemment ou ne sont pas complètement fermées. Cela permet à l'air humide de pénétrer dans le réfrigérateur.	Minimiser les ouvertures de porte et garder les portes complètement fermées.
	Une porte est bloquée en position ouverte.	Déplacer les emballages d'aliments pour libérer la porte.
	Un compartiment ou une tablette bloque le passage.	Replacer le compartiment ou la tablette correctement.
	Entreposage de liquides dans des récipients ouverts	Cela ajoute de l'humidité à l'intérieur du réfrigérateur. Bien fermer tous les récipients.



# DÉPANNAGE

Essayer d'abord les solutions suggérées ici ou visiter notre site Web au [www.jennair.custhelp.com](http://www.jennair.custhelp.com).

Si les problèmes suivants surviennent	Causes possibles	Solution
<b>Température et humidité (suite)</b>		
Du givre ou de la glace s'est accumulé dans le compartiment de congélation.	Le tiroir est fréquemment ouvert ou est laissé ouvert.	Réduire les ouvertures du tiroir et garder le tiroir complètement fermé.
	Joint de la porte en mauvais état	S'assurer que les joints de porte sont en parfait contact avec la caisse du réfrigérateur pour que l'étanchéité soit assurée.
	Les commandes de température ne sont pas correctement réglées.	Consulter la section "Utilisation des commandes" pour connaître les réglages de température recommandés.
<b>Glaçons et eau</b>		
La machine à glaçons ne produit pas ou pas suffisamment de glaçons.	Le réfrigérateur n'est pas raccordé à l'alimentation en eau ou le robinet d'arrêt d'eau n'est pas ouvert.	Brancher le réfrigérateur à l'alimentation en eau et ouvrir le robinet d'arrêt d'eau complètement.
	La canalisation de la source d'eau du domicile comporte une déformation.	Une déformation dans la canalisation peut réduire l'écoulement d'eau. Redresser la canalisation d'eau.
	La machine à glaçons n'est pas allumée.	S'assurer que la machine à glaçons est en marche. Voir la section "Machine à glaçons et bac/seau de stockage".
	Le réfrigérateur vient d'être installé.	Attendre 24 heures après l'installation de la machine à glaçons pour que la production de glaçons commence. Attendre 3 jours pour que la production de glaçons soit complète.
	La porte du réfrigérateur n'est pas complètement fermée.	Bien fermer la porte. Si elle ne ferme pas complètement, consulter la partie "Les portes ne ferment pas bien" plus loin dans cette section.
	Une grande quantité de glaçons a été récemment prélevée.	Attendre suffisamment pour que la machine à glaçons produise plus de glaçons. Consulter la section "Machine à glaçons et bac d'entreposage" pour connaître le taux de production de glaçons.
	Un glaçon est coincé dans la machine à glaçons.	Enlever le glaçon de la machine avec un ustensile en plastique.
	Un filtre à eau est installé sur le réfrigérateur.	Enlever le filtre à eau et faire fonctionner la machine à glaçons. Si le volume de glace augmente, le filtre est probablement obstrué ou mal installé. Remplacer le filtre ou le réinstaller correctement.
	Un système de filtration de l'eau par osmose inverse est raccordé à l'alimentation en eau froide.	Ceci peut réduire la pression de l'eau. Voir la section "Spécifications de l'alimentation en eau".
Les glaçons sont creux ou petits. <b>REMARQUE :</b> Cela indique une faible pression d'eau.	Le robinet d'arrêt de la canalisation d'eau n'est pas complètement ouvert.	Ouvrir le robinet d'arrêt complètement.
	La canalisation de la source d'eau du domicile comporte une déformation.	Une déformation dans la canalisation peut réduire l'écoulement d'eau. Redresser la canalisation d'eau.
	Un filtre à eau est installé sur le réfrigérateur.	Enlever le filtre et faire fonctionner la machine à glaçons. Si la qualité des glaçons s'améliore, le filtre est probablement obstrué ou mal installé. Remplacer le filtre ou le réinstaller correctement.
	Un système de filtration de l'eau par osmose inverse est raccordé à l'alimentation en eau froide.	Ceci peut réduire la pression de l'eau. Voir la section "Spécifications de l'alimentation en eau".
	D'autres questions concernant la pression de l'eau?	Appeler un plombier agréé et qualifié.

# DÉPANNAGE

Essayer d'abord les solutions suggérées ici ou visiter notre site Web au [www.jennair.custhelp.com](http://www.jennair.custhelp.com).

Si les problèmes suivants surviennent	Causes possibles	Solution
<b>Glaçons et eau (suite)</b>		
Mauvais goût, mauvaise odeur ou couleur grise des glaçons ou de l'eau	Lorsqu'on vient d'installer un réfrigérateur, le système de distribution d'eau doit être rincé.	Rincer le système de distribution d'eau. Consulter la section "Distributeurs d'eau et de glaçons" pour des instructions sur le rinçage du système de distribution d'eau.
	Raccords de plomberie récemment installés ou remplacés. Des raccords de plomberie neufs peuvent entraîner une décoloration ou un mauvais goût des glaçons et de l'eau.	Jeter les glaçons et laver le bac d'entreposage à glaçons. Rincer le circuit d'eau avec 3 gal (12 l) d'eau. Attendre 24 heures pour que la machine à glaçons produise de nouveaux glaçons et jeter les 3 premiers lots de glaçons produits.
	La canalisation d'alimentation en eau est différente de celle qui est recommandée.	L'utilisation d'une canalisation en cuivre ou d'une canalisation d'alimentation en eau JennAir® est recommandée – numéro de pièce 8212547RP. Consulter la section "Raccordement à la canalisation d'eau".
	Les glaçons ont été conservés pendant trop longtemps.	Jeter les glaçons et laver le bac d'entreposage à glaçons. Attendre 24 heures pour la fabrication de nouveaux glaçons.
	L'eau a été conservée pendant trop longtemps.	Distribuer au moins 1 pte (1 l) d'eau chaque semaine pour maintenir un approvisionnement en eau fraîche.
	Les glaçons ont pris l'odeur des aliments.	Utiliser des emballages hermétiques et à l'épreuve de l'humidité pour conserver les aliments.
	L'eau contient des minéraux (tels que le soufre).	L'installation d'un filtre à eau peut être requise afin d'enlever les minéraux.
	Un filtre à eau est installé sur le réfrigérateur.	Une décoloration grise ou foncée de la glace indique que le système de filtration de l'eau nécessite un rinçage supplémentaire. Rincer le circuit d'eau avant d'installer ou d'utiliser un nouveau filtre à eau. Consulter la section "Distributeurs d'eau et de glaçons" pour des instructions sur le rinçage du filtre à eau.
Le filtre à eau doit être remplacé.	Remplacer le filtre à eau jetable au moins tous les 6 mois ou lorsque signalé. Consulter la section "Système de filtration de l'eau".	
Le distributeur d'eau et de glaçons ne fonctionne pas correctement.	Le réfrigérateur n'est pas raccordé à l'alimentation en eau ou le robinet d'arrêt d'eau n'est pas ouvert.	Brancher le réfrigérateur à l'alimentation en eau et ouvrir complètement le robinet d'arrêt d'eau.
	La canalisation de la source d'eau du domicile comporte une déformation.	Une déformation dans la canalisation d'eau peut réduire le débit au distributeur d'eau et entraîner la formation de glaçons creux ou de forme irrégulière. Redresser la canalisation d'eau.
	Le réfrigérateur vient d'être installé.	Rincer et remplir le système de distribution d'eau. Consulter la section "Distributeurs d'eau et de glaçons".
	La pression en eau du domicile est inférieure à 35 lb/po <sup>2</sup> (241 kPa).	La pression en eau du domicile détermine la taille du débit depuis le distributeur. Voir la section "Spécifications de l'alimentation en eau".
	Un système de filtration de l'eau par osmose inverse est raccordé à l'alimentation en eau froide.	Un système de filtration de l'eau par osmose inverse peut réduire la pression de l'eau. Voir la section "Spécifications de l'alimentation en eau".
	Le filtre à eau est peut-être obstrué.	Enlever le filtre à eau et faire fonctionner le distributeur. Si le débit d'eau augmente, cela signifie que votre filtre est obstrué et doit être remplacé. Consulter la section "Système de filtration de l'eau".
Le filtre à eau est mal installé.	Enlever le filtre à eau et le réinstaller. Consulter la section "Système de filtration de l'eau".	

# DÉPANNAGE

Essayer d'abord les solutions suggérées ici ou visiter notre site Web au [www.jennair.custhelp.com](http://www.jennair.custhelp.com).

Glaçons et eau (suite)		
Si les problèmes suivants surviennent	Causes possibles	Solution
Le distributeur d'eau et de glaçons ne fonctionne pas correctement. (suite)	La porte du réfrigérateur ou du tiroir du congélateur est entrouverte.	Bien fermer la porte ou le tiroir. Si elle ne ferme pas complètement, voir "Les portes ne ferment pas complètement".
	Les portes du réfrigérateur ont été récemment enlevées.	S'assurer que l'assemblage câble/tuyau du distributeur d'eau a été correctement reconnecté au sommet de la porte du réfrigérateur. Voir la section "Enlever et remplacer les portes du réfrigérateur".
	Des glaçons obstruent le bac d'entreposage ou le goulet de distribution des glaçons.	À l'aide d'un ustensile en plastique, si nécessaire, retirer les glaçons obstruant le bac d'entreposage ou le goulet de distribution des glaçons. Nettoyer le goulet de distribution et le fond du bac d'entreposage à l'aide d'un chiffon tiède et humide, puis sécher soigneusement ces deux sections. Pour éviter toute obstruction et maintenir un approvisionnement frais en glaçons, vider le bac d'entreposage et nettoyer à la fois le bac d'entreposage et le goulet de distribution toutes les 2 semaines.
Le bac à glaçons est difficile à retirer de la porte.	La quantité de glaçons dans le bac peut être élevée et inégale en comparaison à une production de glaçons normale, la glace peut ainsi créer de la pression sur les parois.	Distribuer 2 à 3 verres de glaçons, puis essayer d'enlever le bac.
Le distributeur de glaçons se bloque lorsqu'il distribue de la glace concassée.	De la glace concassée obstrue le goulet de distribution de glaçons.	Pour dégager le distributeur à glaçons, passer de la glace concassée au mode glaçons. Revenir ensuite à la glace concassée.
De l'eau suinte ou dégoutte du système de distribution. <b>REMARQUE :</b> Il est normal que quelques gouttes s'écoulent de la machine après la distribution d'eau.	Le verre n'a pas été maintenu sous le distributeur assez longtemps.	Maintenir le verre sous le distributeur 2 à 3 secondes après avoir relâché le levier du distributeur.
Distribution continue de glaçons. <b>REMARQUE :</b> Le distributeur peut laisser passer quelques glaçons après que le bras ait été relâché, c'est normal.	Le verre n'a pas été maintenu sous le distributeur assez longtemps.	Maintenir le verre sous le distributeur 2 à 3 secondes après avoir relâché le levier du distributeur.
De l'eau continue de dégoutter du distributeur – plus que quelques gouttes.	Le réfrigérateur vient d'être installé.	Le fait de rincer le circuit d'eau permet d'éliminer l'air retenu dans les canalisations, ce qui entraîne l'égouttement du distributeur. Rincer le système de distribution d'eau. Consulter la section "Distributeurs d'eau et de glaçons".
	Le filtre à eau a été récemment installé ou changé.	Le fait de rincer le circuit d'eau permet d'éliminer l'air retenu dans les canalisations, ce qui entraîne l'égouttement du distributeur. Rincer le système de distribution d'eau. Consulter la section "Distributeurs d'eau et de glaçons".
	Une connexion d'eau peut ne pas être bien serrée.	Vérifier la présence d'eau dans le compartiment inférieur du réfrigérateur, dans la zone de la charnière ou près de la connexion à la canalisation d'alimentation domestique à l'arrière du réfrigérateur.
De l'eau fuit par l'arrière du réfrigérateur.	Les raccords de la canalisation d'eau n'ont pas été complètement serrés	Consulter la section "Raccordement à la canalisation d'eau".
	Les portes ont été récemment retirées et le raccord de la canalisation en eau n'a pas été complètement serré	Voir la section "Enlever et remplacer les portes du réfrigérateur".

# DÉPANNAGE

Essayer d'abord les solutions suggérées ici ou visiter notre site Web au [www.jennair.custhelp.com](http://www.jennair.custhelp.com).

Si les problèmes suivants surviennent	Causes possibles	Solution
<b>Glaçons et eau (suite)</b>		
De la glace concassée ou des glaçons tombent à côté du verre pendant la distribution.	Le verre n'est pas tenu suffisamment près de la chute de glaçons.	Tenir le verre plus près de la chute de glaçons.
L'eau du distributeur est tiède.	L'eau du distributeur est réfrigérée à 50 °F (10 °C).	Ceci est normal.
	Le réfrigérateur vient d'être installé.	Attendre 24 heures après l'installation pour que l'alimentation en eau refroidisse complètement.
	Une grande quantité d'eau a été récemment distribuée.	Accorder 3 heures pour que l'alimentation en eau refroidisse complètement.
	On n'a pas distribué d'eau récemment.	Le premier verre d'eau peut ne pas être froid. Jeter le premier verre d'eau distribué.
	Le réfrigérateur n'est pas raccordé à une canalisation d'arrivée d'eau froide.	S'assurer que le réfrigérateur est raccordé à la canalisation d'arrivée d'eau froide. Voir la section "Spécifications de l'alimentation en eau".
<b>Portes</b>		

**⚠ AVERTISSEMENT**



**Risque d'explosion**

**Utiliser un produit de nettoyage ininflammable.**

**Le non-respect de cette instruction peut causer un décès, une explosion ou un incendie.**

Pour voir une vidéo détaillant l'ajustement et l'alignement des portes, consulter la section Aide avec le produit/FAQ du site Web de notre marque et chercher "Fermeture et alignement des portes".

Si les problèmes suivants surviennent	Causes possibles	Solution
La porte ne ferme pas complètement.	La porte est bloquée en position ouverte.	Déplacer les emballages d'aliments pour libérer la porte.
	Un compartiment ou une tablette bloque le passage.	Replacer le compartiment ou la tablette correctement.
	Récemment installé	Enlever tous les matériaux d'emballage.
Les portes sont difficiles à ouvrir.	Les joints de la porte sont collants ou sales.	Nettoyer les joints et les surfaces de contact au savon doux et à l'eau tiède. Rincer et sécher avec un linge doux.
Les portes semblent mal alignées.	Les portes doivent être alignées ou l'aplomb du réfrigérateur effectué.	Consulter la section "Fermeture et alignement des portes".
Le réfrigérateur est instable ou roule vers l'avant lorsqu'on ouvre ou ferme les portes.	Les pieds de nivellement ne sont pas fermement en appui sur le sol.	Retirer le casier de la base. Tourner les deux pieds de stabilisation (un de chaque côté) du même nombre de tours dans le sens horaire, jusqu'à ce qu'ils soient fermement en appui sur le sol. Consulter la section "Fermeture et alignement des portes".

# Avis d'application de la réglementation de la connexion des électroménagers

## Déclaration de conformité de la Commission fédérale des communications (FCC)

Cet appareil a été testé et déclaré conforme aux limites pour appareils numériques de classe B, selon la section 15 des règlements de la FCC (Federal Communications Commission). Ces limites sont conçues dans le but d'assurer une protection raisonnable contre des interférences nuisibles dans une installation résidentielle. Cet appareil génère, utilise et peut émettre l'énergie de fréquence radio et, s'il n'est pas installé ni utilisé conformément aux instructions, peut causer des interférences nuisibles aux communications radio. Cependant, il se peut que des interférences se produisent dans une installation particulière. Si cet appareil cause des interférences nuisibles à la réception radio ou télévision, pouvant être déterminées par le fait d'allumer et d'éteindre l'appareil, l'utilisateur est encouragé à essayer de corriger les interférences en suivant l'un ou plusieurs des conseils suivants :

- Réorienter ou déplacer l'antenne de réception.
- Augmenter la distance séparant l'appareil du récepteur.
- Brancher l'appareil sur un circuit différent de celui où le récepteur est branché.
- Contacter un revendeur ou un technicien radio/télévision qualifié pour obtenir de l'aide.

Cet appareil est conforme à la norme FCC, partie 15. Le bon fonctionnement de l'appareil est fonction de deux conditions :

1. Cet appareil ne doit pas produire de brouillage dommageable et
2. Cet appareil doit accepter tout brouillage radioélectrique subi, même si le brouillage est susceptible d'en compromettre le fonctionnement.

Tous changements ou modifications n'ayant pas été expressément approuvés par la partie responsable de la conformité pourraient annuler l'autorité de l'utilisateur à utiliser l'appareil.

## Renseignements sur l'exposition aux radiofréquences (RF)

Pour satisfaire aux exigences de la FCC et IC d'exposition pour les appareils de transmission mobiles, cet émetteur ne devrait être qu'utilisé ou installé dans un lieu séparant l'antenne et toutes les personnes par 20 cm ou plus.

Pour satisfaire aux exigences de la FCC et IC de limite d'exposition pour la population générale/incontrôlée, l'antenne utilisée avec cet émetteur doit être installée à une distance de 20 cm ou plus de toute personne et ne doit pas être co-utilisée ou fonctionner en même temps qu'une autre antenne ou qu'un émetteur.

## Déclaration de conformité d'Industrie Canada (IC)

Cet appareil satisfait aux prescriptions des documents CNR/RSS d'Industrie Canada (utilisation sans licence). Le bon fonctionnement de l'appareil est fonction de deux conditions :

1. Cet appareil ne doit pas produire de brouillage;
2. Cet appareil doit être compatible avec n'importe quelle interférence, y compris des interférences causées par l'utilisation involontaire de l'appareil.

En vertu des règlements d'Industrie Canada, cet émetteur radio ne peut fonctionner qu'à l'aide d'une antenne d'un type et de gain maximum (ou moins) approuvé pour l'émetteur par Industrie Canada. Pour réduire les interférences radio potentielles pour les autres utilisateurs, le type d'antenne et son gain doivent être choisis de sorte que la puissance isotrope rayonnée équivalente (PIRE) ne dépasse pas ce qui est nécessaire pour une communication réussie.

Cet émetteur radio IC : 10248A-XPWG3 a été approuvé par Industrie Canada pour fonctionner avec les types d'antennes énumérés ci-dessous avec le gain maximal admissible et l'impédance d'antenne requise pour chaque type d'antenne indiqué. Les types d'antennes non inclus dans cette liste, ayant un gain supérieur au gain maximum indiqué pour ce type, sont strictement interdits pour une utilisation avec cet appareil.

Type d'antenne	Gain maximum d'antenne admissible (dBi)	Impédance requise (OHM)
Encoche	1,76	50

Pour satisfaire aux exigences de la FCC et d'Industrie Canada sur les l'exposition aux radiations de radiodiffusion, les antennes utilisées avec cet émetteur doivent être installées de telle sorte qu'il y ait une distance de 20 cm ou plus séparant la source de radiation (antenne) et toute personne en tout temps et ne doit pas être co-utilisée ou fonctionner en même temps qu'une autre antenne ou qu'un émetteur.

Le présent appareil est conforme aux CNR d'Industrie Canada applicables aux appareils radio exempts de licence. L'exploitation est autorisée aux deux conditions suivantes :

- (1) l'appareil ne doit pas produire de brouillage, et
- (2) l'utilisateur de l'appareil doit accepter tout brouillage radioélectrique subi, même si le brouillage est susceptible d'en compromettre le fonctionnement.

Conformément à la réglementation d'Industrie Canada, le présent émetteur radio peut fonctionner avec une antenne d'un type et d'un gain maximal (ou inférieur) approuvé pour l'émetteur par Industrie Canada. Dans le but de réduire les risques de brouillage radioélectrique à l'intention des autres utilisateurs, il faut choisir le type d'antenne et son gain de sorte que la puissance isotrope rayonnée équivalente (p.i.r.e.) ne dépasse pas l'intensité nécessaire à l'établissement d'une communication satisfaisante.

Le présent émetteur radio IC : 10248A-XPWG3 a été approuvé par Industrie Canada pour fonctionner avec les types d'antenne énumérés ci-dessous et ayant un gain admissible maximal et l'impédance requise pour chaque type d'antenne. Les types d'antenne non inclus dans cette liste, ou dont le gain est supérieur au gain maximal indiqué, sont strictement interdits pour l'exploitation de l'émetteur.

Type d'antenne	Gain admissible maximal d'antenne (dBi)	L'impédance requise (OHM)
À fentes	1,76	50

Pour satisfaire aux exigences de la FCC et IC d'exposition aux radiofréquences, une distance de séparation de 20 cm ou plus doit être maintenue entre cet appareil et des personnes lors de fonctionnement du dispositif. Pour assurer la conformité des opérations au plus près que cette distance n'est pas recommandée. L'antenne utilisée pour ce transmetteur ne doit pas être co-localisés en conjonction avec toute autre antenne ou transmetteur.

## Responsabilités du FEO à satisfaire aux règlements de la FCC et d'Industrie Canada.

Le module XPWG3 des produits est certifié seulement si l'intégration par le FEO respecte les conditions suivantes :

1. Les antennes doivent être installées de telle sorte qu'il y ait une distance de 20 cm ou plus entre la radiation (antenne) et toutes les personnes en tout temps.
2. L'émetteur ne doit pas être colocalisé en conjonction avec toute autre antenne ou tout émetteur.

Aucune évaluation supplémentaire d'émission n'est requise si les deux conditions précédentes sont respectées. Cependant, le FEO intégrateur demeure responsable du contrôle de ses produits pour répondre aux exigences supplémentaires concernant ce module (par exemple, émissions d'appareil numérique, exigences périphériques d'un ordinateur personnel, etc.).

**REMARQUE IMPORTANTE :** Lorsque ces conditions ne peuvent être respectées (pour certaines configurations ou colocalisations avec un autre émetteur), les autorisations de la FCC et d'Industrie Canada ne sont plus considérées valides et les numéros de certification ID et IC de la FCC ne peuvent pas être utilisés sur le produit. Dans ces circonstances, le FEO intégrateur sera responsable de réévaluer le produit (incluant l'émetteur) et d'obtenir une autorisation séparée de la FCC et d'Industrie Canada.

## Étiquette de produit

L'étiquette du module XPWG3 est munie des numéros de certifications ID et IC de la FCC. Si les numéros de certifications ID et IC de la FCC ne sont pas visibles lorsque le module est installé dans un autre appareil, l'extérieur de l'appareil dans lequel le module est installé doit aussi afficher une étiquette de référence pour le module. Dans cette situation, le produit final doit posséder une étiquette visible contenant les renseignements suivants :

# Avis d'application de la réglementation de la connexion des électroménagers (suite)

“Contient un émetteur FCC ID : A5UXPWG3”

“Contient un émetteur IC : 10248A-XPWG3”

ou

“Contient FCC ID : A5UXPWG3”

“Contient IC : 10248A-XPWG3”

Le FEO du module XPWG3 ne doit utiliser que les antennes approuvées et certifiées pour ce module. Le FEO intégrateur ne doit pas fournir les renseignements à l'utilisateur final concernant l'installation et le démontage de ce module RF ou les modifications de paramètres RF dans le guide d'utilisation du produit final.

## Le guide d'utilisation du produit doit comprendre les renseignements suivants :

“Pour satisfaire aux exigences de la FCC et d'Industrie Canada sur les l'exposition aux radiations de radiodiffusion, les antennes utilisées avec cet émetteur doivent être installées de telle sorte qu'il y ait une distance de 20 cm ou plus séparant la source de radiation (antenne) et toute personne en tout temps et ne doit pas être co-utilisée ou fonctionner en même temps qu'une autre antenne ou qu'un émetteur.”

## Utilisation de la licence de source ouverte

Les déclarations suivantes concernent les parties de ce logiciel selon FreeRTOS v7.0.2, <http://www.freertos.org>.

L'utilisation de ce logiciel est assujettie aux conditions de la licence publique générale GNU v. 2, disponible au : <http://www.gnu.org/licenses/gpl-2.0.html>. Une copie du code source peut être obtenue en effectuant une demande pour obtenir le logiciel à [opensource@whirlpool.com](mailto:opensource@whirlpool.com) et en indiquant l'adresse de retour.

La déclaration suivante concerne les parties du logiciel protégées par des droits d'auteur par Eclipse Foundation, Inc. Copyright (c) 2007, Eclipse Foundation, Inc. et ses concédants. Tous droits réservés.

La redistribution et l'utilisation en formats source et binaire, avec ou sans modification, sont permises si les conditions suivantes sont respectées :

- La redistribution du code source doit comporter la mention de protection par droits d'auteur, cette liste de conditions et l'avis de non-responsabilité suivante.
- La redistribution en format binaire doit comporter la mention de protection par droits d'auteur, cette liste de conditions et l'avis de non-responsabilité suivante dans sa documentation ou le matériel fourni pendant la distribution.
- Ni le nom Eclipse Foundation, Inc. ou les noms de ses collaborateurs peuvent être utilisés pour approuver ou promouvoir les produits dérivés du logiciel sans une autorisation écrite préalable.

CE LOGICIEL EST FOURNI PAR LES DÉTENTEURS DU DROIT D'AUTEUR ET SES COLLABORATEURS “EN L'ÉTAT” SANS QU'AUUCUNE GARANTIE D'AUUCUNE SORTE, IMPLICITE OU EXPLICITE, N'Y SOIT RATTACHÉE Y COMPRIS, SANS S'Y LIMITER, LES GARANTIES IMPLICITES DE QUALITÉ MARCHANDE ET D'ADÉQUATION À UNE UTILISATION PARTICULIÈRE. EN AUCUN CAS, LE TITULAIRE DES DROITS D'AUTEUR OU LES COLLABORATEURS NE PEUVENT ÊTRE TENUS RESPONSABLES D'UN QUELCONQUE DOMMAGE DIRECT, INDIRECT, ACCESSOIRE, PARTICULIER, EXEMPLAIRE OU CONSÉCUTIF (Y COMPRIS, MAIS SANS S'Y LIMITER, L'ACQUISITION DE PRODUITS OU SERVICES DE SUBSTITUTION; LA PERTE DE JOUISSANCE, DE DONNÉES OU DE BÉNÉFICES; OU LES PERTES D'EXPLOITATION) QUELLES QU'EN SOIENT LES CAUSES ET QUEL QUE SOIT LE TYPE DE RESPONSABILITÉ, CONTRACTUELLE, SANS FAUTE OU FONDÉE SUR UN DÉLIT CIVIL (Y COMPRIS PAR NÉGLIGENCE OU POUR UNE AUTRE CAUSE) RÉSULTANT D'UNE MANIÈRE OU D'UNE AUTRE DE L'UTILISATION DE CE LOGICIEL, MÊME SI MENTION A ÉTÉ FAITE DE LA POSSIBILITÉ DE TELS DOMMAGES.

Des parties de ce logiciel sont protégées par des droits d'auteur (c) de Sawtooth Consulting Ltd. 2006-2015 tous droits réservés.

Des parties de ce logiciel sont protégées par des droits d'auteur (c) Arrayent, Inc. 2015 tous droits réservés. Les déclarations suivantes concernent les parties de ce logiciel protégées par droits d'auteur de Swedish Institute of Computer Science.

Tous droits réservés (c) 2001-2004 Swedish Institute of Computer Science. Tous droits réservés.

La redistribution et l'utilisation en formats source et binaire, avec ou sans modification, sont permises si les conditions suivantes sont respectées :

1. La redistribution du code source doit être accompagnée de la mention de protection par droits d'auteur précédente, de cette liste de conditions et de l'avis de non-responsabilité suivante.
2. La redistribution en format binaire doit comporter la mention de protection par droits d'auteur précédente, cette liste de conditions et l'avis de non-responsabilité suivante dans sa documentation ou le matériel fourni pendant la distribution.
3. Le nom de l'auteur ne doit pas être utilisé pour approuver ou promouvoir les produits dérivés de ce logiciel sans avoir précédemment obtenu une autorisation écrite.

CE LOGICIEL EST FOURNI PAR L'AUTEUR “EN L'ÉTAT” SANS QU'AUUCUNE GARANTIE D'AUUCUNE SORTE, IMPLICITE OU EXPLICITE, N'Y SOIT RATTACHÉE Y COMPRIS, SANS S'Y LIMITER, LES GARANTIES IMPLICITES DE QUALITÉ MARCHANDE ET D'ADÉQUATION À UNE UTILISATION PARTICULIÈRE. EN AUCUN CAS, L'AUTEUR NE PEUT ÊTRE TENU RESPONSABLE D'UN QUELCONQUE DOMMAGE DIRECT, INDIRECT, ACCESSOIRE, PARTICULIER, EXEMPLAIRE OU CONSÉCUTIF (Y COMPRIS, MAIS SANS S'Y LIMITER, L'ACQUISITION DE PRODUITS OU SERVICES DE SUBSTITUTION; LA PERTE DE JOUISSANCE, DE DONNÉES OU DE BÉNÉFICES; OU LES PERTES D'EXPLOITATION) QUELLES QU'EN SOIENT LES CAUSES ET QUEL QUE SOIT LE TYPE DE RESPONSABILITÉ, CONTRACTUELLE, SANS FAUTE OU FONDÉE SUR UN DÉLIT CIVIL (Y COMPRIS PAR NÉGLIGENCE OU POUR UNE AUTRE CAUSE) RÉSULTANT D'UNE MANIÈRE OU D'UNE AUTRE DE L'UTILISATION DE CE LOGICIEL, MÊME SI MENTION A ÉTÉ FAITE DE LA POSSIBILITÉ DE TELS DOMMAGES.

Cette déclaration concerne les parties du logiciel sous droits d'auteur par Marvell International Ltd Droits d'auteur (c) Marvell International Ltd. Tous droits réservés.

AVIS DE NON-RESPONSABILITÉ. CE LOGICIEL EST FOURNI PAR LES DÉTENTEURS DU DROIT D'AUTEUR ET SES COLLABORATEURS “EN L'ÉTAT” SANS QU'AUUCUNE GARANTIE D'AUUCUNE SORTE, IMPLICITE OU EXPLICITE, N'Y SOIT RATTACHÉE Y COMPRIS, SANS S'Y LIMITER, LES GARANTIES IMPLICITES DE QUALITÉ MARCHANDE ET D'ADÉQUATION À UNE UTILISATION PARTICULIÈRE. EN AUCUN CAS, LE TITULAIRE DES DROITS D'AUTEUR OU LES COLLABORATEURS NE PEUVENT ÊTRE TENUS RESPONSABLES D'UN QUELCONQUE DOMMAGE DIRECT, INDIRECT, ACCESSOIRE, PARTICULIER, EXEMPLAIRE OU CONSÉCUTIF (Y COMPRIS, MAIS SANS S'Y LIMITER, L'ACQUISITION DE PRODUITS OU SERVICES DE SUBSTITUTION; LA PERTE DE JOUISSANCE, DE DONNÉES OU DE BÉNÉFICES; OU LES PERTES D'EXPLOITATION) QUELLES QU'EN SOIENT LES CAUSES ET QUEL QUE SOIT LE TYPE DE RESPONSABILITÉ, CONTRACTUELLE, SANS FAUTE OU FONDÉE SUR UN DÉLIT CIVIL (Y COMPRIS PAR NÉGLIGENCE OU POUR UNE AUTRE CAUSE) RÉSULTANT D'UNE MANIÈRE OU D'UNE AUTRE DE L'UTILISATION DE CE LOGICIEL, MÊME SI MENTION A ÉTÉ FAITE DE LA POSSIBILITÉ DE TELS DOMMAGES.

# FICHE DE DONNÉES RELATIVES AU RENDEMENT



## Système de filtration d'eau intérieur Modèle P9WB2L/P9RFB2L /Capacité : 200 gallons (757 litres)

Système testé et certifié par NSF International en vertu de la norme NSF/ANSI 42, de la norme NSI 53, de la norme 401 et de la norme CSA B483.1 pour la réduction des substances énumérées ci-dessous.

Ce produit a été testé selon les normes NSF/ANSI 42, 53, 401 et CSA B483.1 pour la réduction des substances énumérées ci-dessous. La concentration des substances indiquées dans l'eau entrant dans le système a été réduite à une concentration moindre ou égale à la limite permise pour l'eau qui quitte le système, comme spécifié dans les normes NSF/ANSI 42, 53, 401 et CSA B483.1

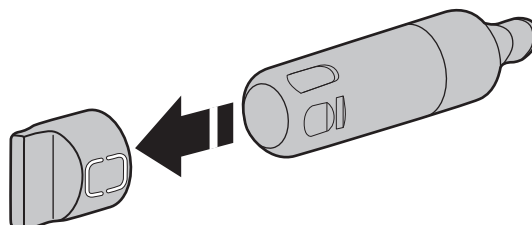
Réd. de substances Effets esthétiques	Concentration dans l'eau à traiter	Limite permmissible de concentration du produit dans l'eau	% de réd. moyenne
Goût/odeur de chlore	2,0 mg/L ± 10 %	50 % réduction	97,0 %
Particules (classe I*)	Au moins 10 000 particules/mL	85 % réduction	>99,9 %
Réduction de contaminant	Concentration dans l'eau à traiter	Limite permmissible de concentration du produit dans l'eau	% de réd. moyenne
Plomb : pH 6,5/à pH 8,5	0,15 mg/L ± 10 %	0,010 mg/L	>99,3 % / 98,6 %
Benzène	0,015 mg/L ± 10 %	0,005 mg/L	93,8 %
p-dichlorobenzène	0,225 mg/L ± 10 %	0,075 mg/L	99,8 %
Carbofuran	0,08 mg/L ± 10 %	0,040 mg/L	81,9 %
Toxaphène	0,015 ± 10 %	0,003 mg/L	>95 %
Atrazine	0,009 mg/L ± 10 %	0,003 mg/L	87,0 %
Asbestos	10' à 10 <sup>3</sup> fibres/L <sup>††</sup>	99 %	>99 %
Kystes opérationnels <sup>†</sup>	50 000/L min.	99,95 %	>99,99 %
Turbidité	11 uTN ± 10 %	0,5 uTN	96,9 %
Lindane	0,002 ± 10 %	0,0002 mg/L	>99,2 %
Tétrachloroéthylène	0,015 mg/L ± 10 %	0,005 mg/L	96,6 %
O-dichlorobenzène	1,8 mg/L ± 10 %	0,60 mg/L	92,3 %
Éthylbenzène	2,1 mg/L ± 10 %	0,70 mg/L	86,9 %
1,2,4-Trichlorobenzène	0,210 mg/L ± 10 %	0,07 mg/L	>99,8 %
2,4 - D	0,210 mg/L ± 10 %	0,07 mg/L	88,5 %
Styrène	2,0 mg/L ± 10 %	0,1 mg/L	99,6 %
Toluène	3,0 mg/L ± 10 %	1,0 mg/L	93,5 %
Endrine	0,006 mg/L ± 10 %	0,002 mg/L	81,7 %
Atenolol	200 ± 20 %	30 ng/L	95,7 %
Triméthoprim	140 ± 20 %	20 ng/L	96,1 %
Linuron	140 ± 20 %	20 ng/L	96,3 %
Estrone	140 ± 20 %	20 ng/L	95,3 %
Nonylphénol	1400 ± 20 %	200 ng/L	95,5 %

Paramètres de test : pH = 7,5 ± 0,5 à moins d'indications contraires. Débit = 0,75 gpm (2,84 Lpm). Pression = 60 lb/po<sup>2</sup> (413,7 kPa). Température = 68 °F à 71,6 °F (20 °C à 22 °C). Capacité de service nominale = 200 gallons (757 litres). Les composés certifiés en vertu de la norme NSF 401 sont considérés comme appartenant à la catégorie des "composés émergents/contaminants secondaires". Les "composés émergents/contaminants secondaires" sont des composés qui ont été détectés à de faibles concentrations dans des sources d'approvisionnement en eau potable; même s'ils n'apparaissent qu'à de faibles concentrations, ces composés peuvent influencer la perception et le niveau d'acceptation de la qualité de l'eau potable par le public.

- Il est essentiel que les exigences de fonctionnement, d'entretien et de remplacement de filtres soient respectées pour que ce produit donne le rendement annoncé. Des dommages matériels peuvent survenir si toutes les instructions ne sont pas respectées.
- La cartouche jetable doit être remplacée tous les 6 mois au plus tard.
- Utiliser le filtre de rechange P9RFB2L, référence EDR2RXD1/EDR2RXD1B. Prix suggéré au détail en 2015 de 49,99 \$US/49,99 \$ CAN. Les prix peuvent être modifiés sans préavis.
- Le système de contrôle du filtre mesure la quantité d'eau qui passe par le filtre et vous alerte lorsqu'il faut remplacer le filtre. Consulter les sections "Utilisation des commandes" ou "Système de filtration d'eau" (dans les instructions d'utilisation ou le Guide d'utilisation) pour savoir comment vérifier l'état du filtre à eau.
- Après avoir remplacé le filtre à eau, purger le système d'eau. Voir "Distributeurs d'eau et de glaçons" ou "Distributeurs d'eau" dans les instructions d'utilisation ou le guide d'utilisation.
- Ces contaminants ne sont pas nécessairement présents dans votre approvisionnement en eau. Même si le test a été effectué dans des conditions de laboratoire standard, le rendement réel peut varier.
- Le produit ne doit être utilisé que pour l'eau froide.
- Le circuit d'eau doit être installé conformément aux lois et règlements locaux et à ceux de la province ou de l'État concerné.
- Ne pas utiliser pour le filtrage d'une eau microbiologiquement polluée ou de qualité inconnue en l'absence d'un dispositif de désinfection adéquat avant ou après le système. Les systèmes certifiés pour la réduction de kyste peuvent être utilisés pour l'eau désinfectée qui peut contenir des kystes filtrables. EPA Est. No. 082047-TWN-001
- Consulter à la section "Garantie" (dans les instructions d'utilisation ou le guide d'utilisation) pour la garantie limitée, le nom et le numéro de téléphone du fabricant.

### Directives d'application/paramètres d'approvisionnement en eau

Approvisionnement en eau	Pression d'eau
Pression de l'eau	30 à 120 lb/po <sup>2</sup> (207 à 827 kPa)
Température de l'eau	33 ° à 100 °F (0,6 ° à 37,8 °C)
Débit nominal	0,75 gpm (2,84 L/m) à 60 lb/po <sup>2</sup>



\*Classe I - taille des particules : > 0,5 à < 1 µm

† Cas de la filtration de kystes de *Cryptosporidium parvum*.

††Fibres de longueur supérieure à 10 µm

©NSF est une marque déposée de NSF International.

# GARANTIE LIMITÉE DES APPAREILS DE RÉFRIGÉRATION JENNAIR®

ATTACHEZ ICI VOTRE REÇU DE VENTE. UNE PREUVE D'ACHAT EST OBLIGATOIRE POUR OBTENIR L'APPLICATION DE LA GARANTIE.

Lorsque vous appelez le centre d'expérience de la clientèle, veuillez garder à disposition les renseignements suivants :

- Nom, adresse et numéro de téléphone
- Numéros de modèle et de série
- Une description claire et détaillée du problème rencontré
- Une preuve d'achat incluant le nom et l'adresse du marchand ou du détaillant

## SI VOUS AVEZ BESOIN DE SERVICE :

1. Avant de nous contacter pour obtenir un dépannage, veuillez déterminer si des réparations sont nécessaires pour votre produit. Certains problèmes peuvent être résolus sans intervention de dépannage. Prenez quelques minutes pour parcourir la section Dépannage ou Résolution de problèmes du guide d'utilisation et d'entretien, ou rendez-vous sur le site <https://www.jennair.ca>.
2. Tout service sous garantie doit être effectué exclusivement par nos fournisseurs de dépannage autorisés JennAir. Aux E.-U. et au Canada, dirigez toutes vos demandes de service sous garantie au

**Centre d'expérience de la clientèle JennAir**  
**1-800-JENNAIR (1-800-536-6247).**

Si vous résidez à l'extérieur du Canada et des 50 États des États-Unis, contactez votre marchand JennAir autorisé pour déterminer si une autre garantie s'applique.

## GARANTIE LIMITÉE DE DIX ANS

### CE QUI EST COUVERT

#### GARANTIE LIMITÉE DE DEUX ANS (PIÈCES ET MAIN-D'ŒUVRE)

Pendant deux ans à compter de la date d'achat, lorsque ce gros appareil ménager est installé, utilisé et entretenu conformément aux instructions jointes à ou fournies avec le produit, la marque JennAir de Whirlpool Corporation ou Whirlpool Canada, LP (ci-après désignées "JennAir") décidera à sa seule discrétion de remplacer le produit ou de couvrir le coût des pièces spécifiées par l'usine et de la main-d'œuvre nécessaires pour corriger les vices de matériaux ou de fabrication qui existaient déjà lorsque ce gros appareil ménager a été acheté. S'il est remplacé, l'appareil sera couvert pour la période restant à courir de la garantie limitée d'un an du produit d'origine.

#### GARANTIE LIMITÉE DE LA DEUXIÈME À LA CINQUIÈME ANNÉE INCLUSIVEMENT SUR LA DOUBLURE DE LA CAVITÉ ET SUR LE SYSTÈME DE RÉFRIGÉRATION SCÉLLÉ (PIÈCES ET MAIN-D'ŒUVRE)

De la deuxième à la cinquième année inclusivement à compter de la date d'achat initiale, lorsque ce gros appareil ménager est installé, utilisé et entretenu conformément aux instructions jointes au produit ou fournies avec, la marque JennAir paiera pour les pièces de rechange spécifiées par l'usine et la main-d'œuvre concernant les composants suivants pour corriger les défauts non esthétiques de matériau ou de fabrication de ladite pièce qui empêchent le réfrigérateur de fonctionner et qui étaient déjà présents lorsque ce gros appareil ménager a été acheté :

- Doublure de la cavité du réfrigérateur/congélateur si la pièce se fissure en raison d'un vice de matériau ou de fabrication.
- Système de réfrigération scellé (y compris le compresseur, l'évaporateur, le condenseur, le séchoir et les conduits de connexion).

#### GARANTIE LIMITÉE DE LA SIXIÈME À LA DIXIÈME ANNÉE (SYSTÈME DE RÉFRIGÉRATION SCÉLLÉ UNIQUEMENT MAIN-D'ŒUVRE NON COMPRISE)

De la sixième à la dixième année inclusivement à compter de la date d'achat, lorsque ce gros appareil ménager est installé, utilisé et entretenu conformément aux instructions jointes à ou fournies avec le produit, la marque JennAir paiera pour les pièces de rechange spécifiées par l'usine pour corriger les vices de matériaux ou de fabrication sur le système de réfrigération scellé qui existaient déjà lorsque ce gros appareil ménager a été acheté pour les pièces suivantes : compresseur, évaporateur, condenseur, sècheuse et conduits de connexion.

LE SEUL ET EXCLUSIF RECOURS DU CLIENT DANS LE CADRE DE LA PRÉSENTE GARANTIE LIMITÉE CONSISTE EN LA RÉPARATION PRÉVUE PAR LA PRÉSENTE. Le service doit être fourni par une compagnie de service désignée par JennAir. Cette garantie limitée est valide uniquement aux États-Unis ou au Canada et s'applique exclusivement lorsque le gros appareil ménager est utilisé dans le pays où il a été acheté. La présente garantie limitée est valable à compter de la date d'achat initial par le consommateur. Une preuve de la date d'achat initial est exigée pour obtenir un dépannage dans le cadre de la présente garantie limitée.

### CE QUI N'EST PAS COUVERT

1. Usage commercial, non résidentiel ou par plusieurs familles, ou non-respect des instructions de l'utilisateur, de l'opérateur ou des instructions d'installation.
2. Visite d'instruction à domicile pour montrer à l'utilisateur comment utiliser l'appareil.
3. Visites de service pour rectifier une installation ou un entretien fautifs du produit, une installation non conforme aux codes d'électricité ou de plomberie, ou la rectification de l'installation électrique ou de la plomberie du domicile (ex : câblage électrique, fusibles ou tuyaux d'arrivée d'eau du domicile).
4. Pièces consommables (ex : ampoules, batteries, filtres à air ou à eau, solutions de conservation, etc.).
5. Défauts ou dommage résultant de l'utilisation de pièces ou accessoires JennAir non authentiques.
6. Dommages causés par : accident, mésusage, abus, incendie, inondations, catastrophe naturelle ou l'utilisation de produits non approuvés par JennAir.
7. Réparations aux pièces ou systèmes dans le but de rectifier un dommage ou des défauts résultant d'une réparation, altération ou modification non autorisée faite à l'appareil.
8. Défauts d'apparence, notamment les éraflures, traces de choc, fissures ou tout autre dommage subi par le fini de l'appareil ménager, à moins que ces dommages ne résultent de vices de matériaux ou de fabrication et ne soient signalés à JennAir dans les 30 jours suivant la date d'achat.
9. Décoloration, rouille ou oxydation des surfaces résultant d'environnements caustiques ou corrosifs incluant des concentrations élevées de sel, un haut degré d'humidité ou une exposition à des produits chimiques (exemples non exhaustifs).
10. Perte d'aliments ou de médicaments due à la défaillance du produit.
11. Enlèvement ou livraison. Ce produit est conçu pour être réparé à l'intérieur du domicile.
12. Frais de déplacement et de transport pour le dépannage/la réparation dans une région éloignée où une compagnie de service JennAir autorisée n'est pas disponible.
13. Retrait ou réinstallation d'appareils inaccessibles ou de dispositifs préinstallés (ex : garnitures, panneaux décoratifs, plancher, meubles, îlots de cuisine, plans de travail, panneaux de gypse, etc.) qui entravent le dépannage, le retrait ou le remplacement du produit.
14. Service et pièces pour des appareils dont les numéros de série et de modèle originaux ont été enlevés, modifiés ou ne peuvent pas être facilement identifiés.

**Le coût d'une réparation ou d'un remplacement dans le cadre de ces circonstances exclues est à la charge du client.**



---

**CLAUSE D'EXONÉRATION DE RESPONSABILITÉ AU TITRE DES GARANTIES IMPLICITES**

LES GARANTIES IMPLICITES, Y COMPRIS LES GARANTIES APPLICABLES DE QUALITÉ MARCHANDE OU D'APTITUDE À UN USAGE PARTICULIER, SONT LIMITÉES À DIX AN OU À LA PLUS COURTE PÉRIODE AUTORISÉE PAR LA LOI. Certains États et provinces ne permettent pas de limitation sur la durée des garanties implicites de qualité marchande ou d'aptitude à un usage particulier, de sorte que la limitation ci-dessus peut ne pas être applicable dans votre cas. Cette garantie vous confère des droits juridiques spécifiques et vous pouvez également jouir d'autres droits qui peuvent varier d'une juridiction à l'autre.

---

**EXONÉRATION DE RESPONSABILITÉ DANS LES DOMAINES NON COUVERTS PAR LA GARANTIE**

JennAir décline toute responsabilité au titre de la qualité, de la durabilité ou en cas de dépannage ou de réparation nécessaire sur ce gros appareil ménager autre que les responsabilités énoncées dans la présente garantie. Si vous souhaitez une garantie plus étendue ou plus complète que la garantie limitée fournie avec ce gros appareil ménager, adressez-vous à JennAir ou à votre détaillant pour obtenir les modalités d'achat d'une garantie étendue.

---

**LIMITATION DES RECOURS; EXCLUSION DES DOMMAGES FORTUITS OU INDIRECTS**

LE SEUL ET EXCLUSIF RECOURS DU CLIENT DANS LE CADRE DE LA PRÉSENTE GARANTIE LIMITÉE CONSISTE EN LA RÉPARATION PRÉVUE PAR LA PRÉSENTE. JENNAIR N'ASSUME AUCUNE RESPONSABILITÉ POUR LES DOMMAGES FORTUITS OU INDIRECTS. Certains États et certaines provinces ne permettent pas l'exclusion ou la limitation des dommages fortuits ou indirects de sorte que ces limitations et exclusions peuvent ne pas être applicables dans votre cas. Cette garantie vous confère des droits juridiques spécifiques et vous pouvez également jouir d'autres droits qui peuvent varier d'une juridiction à l'autre.

08/17

# SEGURIDAD DEL REFRIGERADOR

## Su seguridad y la seguridad de los demás es muy importante.

Hemos incluido muchos mensajes importantes de seguridad en este manual y en su electrodoméstico. Lea y obedezca siempre todos los mensajes de seguridad.



Este es el símbolo de alerta de seguridad.

Este símbolo le llama la atención sobre peligros potenciales que pueden ocasionar la muerte o una lesión a usted y a los demás.

Todos los mensajes de seguridad irán a continuación del símbolo de advertencia de seguridad y de la palabra "PELIGRO" o "ADVERTENCIA". Estas palabras significan:

 **PELIGRO**

Si no sigue las instrucciones de inmediato, usted puede morir o sufrir una lesión grave.

 **ADVERTENCIA**

Si no sigue las instrucciones, usted puede morir o sufrir una lesión grave.

Todos los mensajes de seguridad le dirán el peligro potencial, le dirán cómo reducir las posibilidades de sufrir una lesión y lo que puede suceder si no se siguen las instrucciones.

## INSTRUCCIONES IMPORTANTES DE SEGURIDAD

**ADVERTENCIA:** Para reducir el riesgo de incendio, choque eléctrico, o lesiones personales al usar su refrigerador siga estas precauciones básicas:

- Conecte a un contacto de pared de conexión a tierra de 3 terminales.
- No quite la terminal de conexión a tierra.
- No use un adaptador.
- No use un cable eléctrico de extensión.
- Desconecte el suministro de energía antes de darle servicio.
- Vuelva a colocar todos los componentes y paneles antes de hacerlo funcionar.
- Remueva las puertas de su refrigerador viejo.
- Use un limpiador no inflamable.
- No almacene ni use gasolina, líquidos inflamables ni gas cerca de éste o cualquier otro electrodoméstico. Los vapores pueden ocasionar incendios o explosiones.
- No guarde en este refrigerador sustancias explosivas, como latas en aerosol con propelente inflamable.
- No use ni coloque dispositivos eléctricos dentro de los compartimientos del refrigerador si no son del tipo expresamente autorizados por el fabricante.
- Use dos o más personas para mover e instalar el refrigerador.
- Desconecte el suministro de energía antes de instalar la fábrica de hielo (en aquellos modelos que incluyen el juego de instalación de la fábrica de hielo).
- La línea de agua y la máquina de hacer hielo deben ser instaladas por un técnico de servicio calificado.
- Conecte solamente al suministro de agua potable.
- Use un vaso resistente para recibir hielo del despachador (en algunos modelos).
- Este aparato no ha sido diseñado para ser usado por personas (incluidos niños) con capacidad física, sensorial o mental reducida, o con falta de experiencia y conocimiento, a menos que lo hagan bajo supervisión o siguiendo las instrucciones relativas al uso del aparato, a cargo de una persona responsable por su seguridad.
- Los niños deberán estar bajo supervisión para asegurarse de que no jueguen con el electrodoméstico.
- Para evitar el riesgo de que los niños queden atrapados y se sofoquen, no les permita jugar ni esconderse dentro del refrigerador.
- Si se ha dañado el cable de suministro eléctrico, deberá ser reemplazado por el fabricante o por el agente de servicio del fabricante o por una persona con calificación similar.

## CONSERVAR ESTAS INSTRUCCIONES

Advertencias de la Proposición 65 del estado de California:

**ADVERTENCIA:** Este producto contiene una o más sustancias químicas identificadas por el estado de California como causantes de cáncer.

**ADVERTENCIA:** Este producto contiene una o más sustancias químicas identificadas por el estado de California como causantes de defectos congénitos o algún otro tipo de daños en la función reproductora.

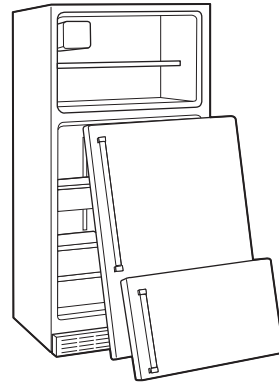
## Cómo deshacerse adecuadamente de su refrigerador viejo

### **⚠️ ADVERTENCIA**

#### **Peligro de Asfixia**

**Remueva las puertas de su refrigerador viejo.**

**No seguir esta instrucción puede ocasionar la muerte o daño al cerebro.**



**IMPORTANTE:** El atrapamiento y la asfixia de los niños no son problemas del pasado. Los refrigeradores tirados y abandonados son un peligro, incluso si van a quedar ahí “por unos pocos días”. Si está por deshacerse de su refrigerador viejo, siga las instrucciones que ofrecemos a continuación para prevenir accidentes.

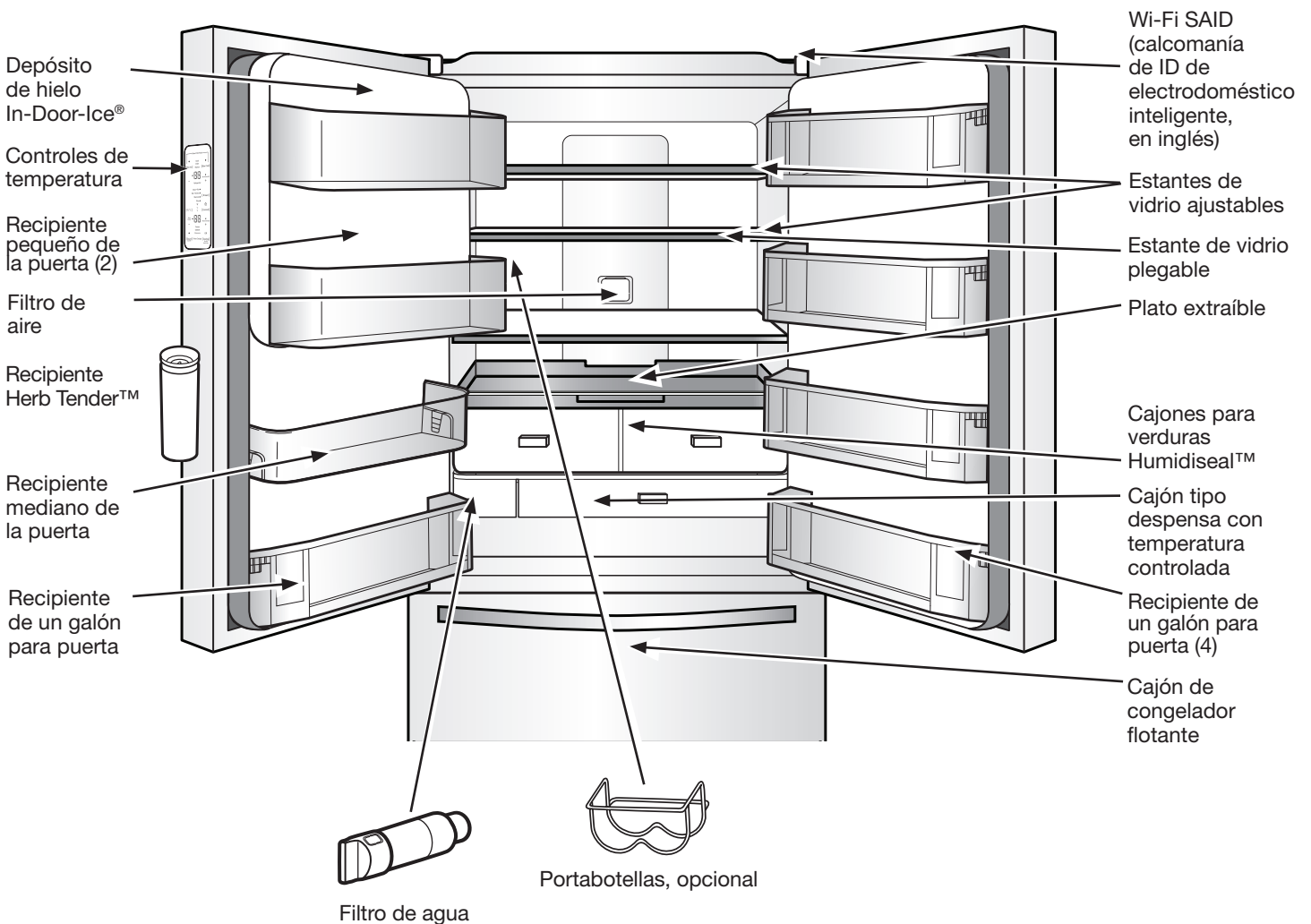
#### **Antes de tirar su viejo refrigerador o congelador:**

- Saque las puertas.
- Deje los estantes en su lugar para los niños no puedan introducirse con facilidad.

#### **Información importante para saber acerca del desecho de refrigerantes:**

Deshágase del refrigerador siguiendo los reglamentos federales y locales. Los refrigerantes deberán ser evacuados por un técnico certificado en refrigeración por EPA (Agencia de protección del medioambiente) según los procedimientos establecidos.

## PIEZAS Y CARACTERÍSTICAS



## ¿Qué hay de nuevo detrás de las puertas?

Su refrigerador de puertas francesas JennAir® viene equipado con diversas características innovadoras de almacenamiento y de ahorro de energía.

### Interior de obsidiana

Este impresionante interior permite exhibir los alimentos en el refrigerador y ofrece un contraste más definido que los interiores blancos. Incluye cajones para verduras y congelador que coordinan.

### Energía y sonidos de funcionamiento normal

El nuevo refrigerador de puertas francesas con montaje en la parte inferior ha sido diseñado con un compresor lineal para lograr un rendimiento energético óptimo y regular mejor las temperaturas de acuerdo con las demandas de enfriamiento. Tal vez note que funciona de modo diferente que su refrigerador anterior. Esto permite que el refrigerador responda a velocidades variables y optimice las necesidades de enfriamiento al evitar inicios y detenciones abruptas en los ciclos.

### Depósito de hielo In-Door-Ice®

La fábrica de hielo y el depósito de hielo están en la puerta para facilitar el acceso al hielo filtrado, dejar libre un importante espacio en los estantes del interior y agregar cajones adicionales en la puerta para mayor espacio útil.

### Sistema de control de ambiente Twin Fresh™

Los compartimientos del refrigerador y del congelador tienen evaporadores separados para proporcionar el ambiente de almacenamiento óptimo a los alimentos frescos y los congelados: fresco y húmedo para los alimentos frescos, frío y seco en el congelador, sin mezclar el aire entre los compartimientos para reducir la transferencia de olores y sabores de alimentos del refrigerador al congelador. Esto también permite que el aire del congelador se mantenga seco para controlar la formación de escarcha y reducir las quemaduras de alimentos en el congelador.

### Filtro de aire FreshFlow™

Un filtro de aire es 15 veces más potente que el bicarbonato de sodio para reducir los olores comunes de los alimentos en el interior del refrigerador. Cambie el filtro de aire cada 6 meses para una máxima reducción de los olores.

### Despachador de agua con llenado medido

La característica de llenado medido permite despachar la cantidad deseada de agua filtrada en incrementos prácticos como 8, 16 o 24 onzas (0,2, 0,5 o 0,7 L).

### Despachador de agua con llenado favorito

La función Favorite Fill (Llenado favorito) le permite guardar dos configuraciones previas personalizadas que se pueden programar para productos de llenado frecuente, como un jarro de café o una botella con agua.

### Estante de vidrio plegable

Este estante especial entrega una opción de almacenamiento flexible para elementos altos que permite doblar parte del estante para aumentar el espacio.

### Plato extraíble

Este estante deslizante de ancho completo es ideal para contener platos terminados listos para servir o ingredientes que necesitan más preparación.

### Cajones tipo despensa con control de temperatura electrónico

Estos cajones entregan un control de temperatura preciso e independiente con cuatro ajustes especializados para una mayor flexibilidad.

### Recipiente Herb Tender™

Este accesorio desmontable entrega un espacio dedicado para optimizar la frescura de las hortalizas.

### Cajones para verduras Humidiseal™

Estos cajones mantienen un mayor nivel de humedad que el compartimiento principal del refrigerador, para ayudar a mantener los productos frescos.

### Cajón para artículos pequeños

Esta área de almacenamiento adicional es ideal para mantequilla, queso crema o paquetes de ensalada/condimentos.

### Iluminación interior LED estilo teatro

Múltiples líneas de luces LED al interior del compartimiento del refrigerador, compartimiento del congelador y cajones interiores minimizan las sombras y distribuyen de manera uniforme la luz en el refrigerador.

### Tecnología de cerrado automático suave

Permite un uso suave de cajones flotantes con un diseño de cerrado automático que empuja los cajones hasta que cierran.

### Alarma de puerta entreabierta

Una alarma útil suena cuando la puerta del refrigerador o el cajón del congelador se ha dejado abierta/o.

### Indicador de corte de corriente

Si hubiera un corte de corriente mientras usted no está en casa, este indicador le permitirá saber que el refrigerador ha estado sin electricidad.

### Conectividad Wi-Fi

Este refrigerador se puede conectar con la red Wi-Fi del hogar para ofrecer control remoto a través de una aplicación descargable en dispositivos móviles con sistemas operativos iOS o Android.

### Símbolo de casa

Esta función se enciende automáticamente después de que se abastece y registra el electrodoméstico. Cuando presiona el botón [Connect] (Conectar) esta función se apaga temporalmente.



Para ver videos sobre el retiro, colocación o ajuste de las puertas, la instalación del filtro de agua o del filtro de aire, el ajuste o retiro de estantes y la conectividad Wi-Fi (si corresponde), escanee el código que aparece a la izquierda con su dispositivo móvil.

# CÓMO COMENZAR

## LISTA DE VERIFICACIÓN DE LA INSTALACIÓN

### ✓ Suministro eléctrico

## ⚠ ADVERTENCIA



### Peligro de Choque Eléctrico

Conecte a un contacto de pared de conexión a tierra de 3 terminales.

No quite la terminal de conexión a tierra.

No use un adaptador.

No use un cable eléctrico de extensión.

No seguir estas instrucciones puede ocasionar la muerte, incendio o choque eléctrico.

- Enchufe el refrigerador en un contacto de pared de conexión a tierra de 3 terminales.

### ✓ Puertas

- Si necesita retirar las puertas durante la instalación, vea la sección “Cómo retirar y volver a colocar las puertas del refrigerador” en las instrucciones.
- Verifique que las manijas estén firmes e instaladas de acuerdo con las instrucciones.
- Las puertas tienen un cierre hermético completo.
- El refrigerador está nivelado. (Retire la rejilla de la base y regule las patas niveladoras para que queden ajustadas contra el piso.)
- Las puertas están parejas en la parte superior. (Use la característica de alineamiento de las puertas si es necesario.)
- La rejilla de la base se fijó adecuadamente al refrigerador.

### ✓ Sistema de hielo y de agua (en algunos modelos)

- Conecte el refrigerador a un suministro de agua fría con una presión de agua entre 20 y 120 psi, como se especifica en las instrucciones.
- Asegúrese de que el suministro de agua de la casa esté conectado y abierto.
- Verifique que la línea de suministro de agua detrás del refrigerador no esté torcida.
- Use solo la tubería de suministro de agua recomendada, de cobre o de PEX, como se especifica en las instrucciones.
- Instale el filtro de agua de acuerdo con las instrucciones.
- Enjuague el sistema de agua con 3 galones (11,4 L) de agua, como se especifica en las instrucciones.
- Revise todas las conexiones para ver si hay fugas.
- Encienda la fábrica de hielo si el refrigerador está conectado al suministro de agua. (Si no está conectado al suministro de agua, apague la fábrica de hielo.)

### ✓ Verificaciones finales

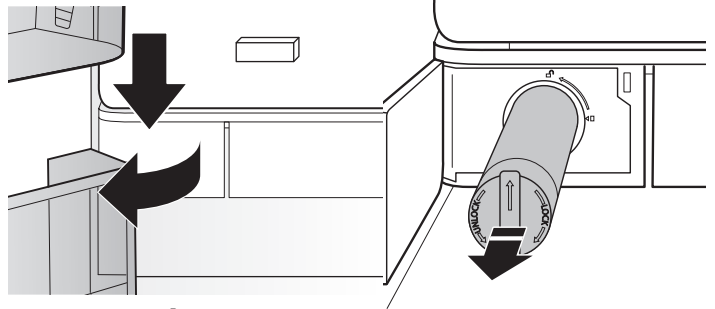
- Instale el filtro de aire de acuerdo con las instrucciones del envase correspondiente.
- Saque todo el material de transporte.
- Fije los controles de temperatura en los ajustes recomendados.
- Guarde las instrucciones y otros materiales impresos.
- Envíe la tarjeta de registro o registre el producto en Internet.

## INSTALACIÓN DEL FILTRO DE AGUA

- Ubique el compartimiento del filtro de agua en el lado izquierdo inferior del compartimiento del refrigerador. Empuje el lado derecho de la puerta de filtro para abrirla.

- Alinee la flecha sobre la tapa del filtro del agua con la muesca recortada en el alojamiento del filtro e inserte el filtro. Una vez insertado el filtro, gírelo 90° (1/4 de vuelta) en sentido horario hasta que encaje dentro del alojamiento.
- Empuje la puerta del filtro de agua hasta la posición cerrada para asegurarla.
- Haga correr 3 galones (11,4 L) de agua por el sistema de agua para eliminar el aire de la línea y evitar que el despachador gotee, o evitar que el flujo del despachador disminuya.

**NOTA:** Si el filtro no se ha instalado correctamente, el agua podría salir a un flujo más bajo y podría haber una producción de hielo más lenta. Una instalación inadecuada del filtro también puede causar que el alojamiento del filtro de agua experimente fugas.



## ALINEACIÓN DE LAS PUERTAS

### Herramientas requeridas

Según el ancho de la apertura de la puerta, pueden requerirse las siguientes herramientas para retirar, volver a colocar y alinear las puertas del refrigerador.

### Herramientas necesarias:

- Llave para tuercas hexagonal de 1/4": rejilla de la base, tornillos de cajón del congelador y patas de freno/niveladoras

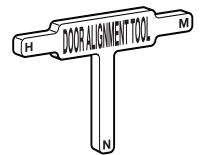
### Herramientas provistas:

- Llave hexagonal de 1/8": tornillos de fijación de las manijas y alineación de las puertas

## INSTRUCCIONES DE LA HERRAMIENTA DE ALINEACIÓN DE LAS PUERTAS

### Características:

- Crea un espacio horizontal uniforme entre las puertas del refrigerador.
- Resuelve los problemas de alineación durante la instalación y mejora el sellado de las puertas.

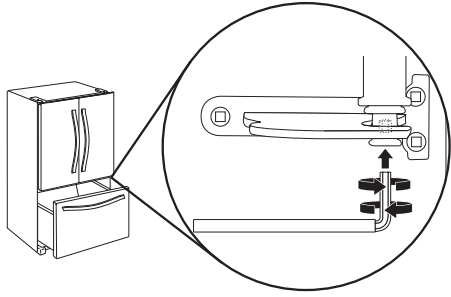


### Cómo alinear las puertas del refrigerador

#### ✓ Si las puertas están desparejas:

- Asegúrese de que el refrigerador esté nivelado.
- Jale hacia fuera el cajón del congelador mientras mantiene cerradas ambas puertas del refrigerador. Ubique el pasador de la bisagra inferior de la puerta del lado derecho del refrigerador. El tornillo de alineación está en el interior del pasador de la bisagra inferior.
- Inserte el extremo corto de la llave hexagonal de 1/8" (empacada con las instrucciones de instalación de las manijas de las puertas) dentro del pasador de la bisagra inferior hasta que quede enganchado por completo en el tornillo de alineación. Para levantar la puerta del refrigerador, gire la llave hexagonal hacia la derecha. Para bajar la puerta, gire la llave hexagonal hacia la izquierda.

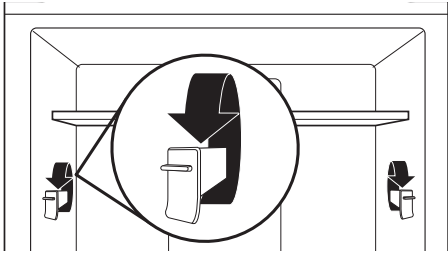
- Después, gire el tornillo de alineamiento hasta alinear la parte superior de la puerta.



### Ajuste de la altura de los estantes

Para ajustar la altura de los estantes se pueden cambiar los montajes ajustables de los estantes entre las posiciones vertical y horizontal.

- Levante con cuidado el estante fuera de los montantes y gire la aleta a la orientación deseada.
- Repita con los montantes de estante restantes.
- Asegúrese de que el estante esté correctamente asentado sobre los montantes de estante.



## MODO DE AHORRO DE ENERGÍA Y SONIDOS DE FUNCIONAMIENTO NORMAL

Su nuevo refrigerador de puertas francesas con montaje en la parte inferior ha sido diseñado para un máximo rendimiento energético y para regular mejor las temperaturas de modo que se satisfagan las demandas de enfriamiento.

Tal vez note que funciona de modo diferente de su refrigerador anterior.

Es normal que el compresor de alto rendimiento funcione durante períodos prolongados y a velocidades variables para consumir solamente la energía necesaria para un rendimiento óptimo.

Adicionalmente, durante varias etapas del ciclo de enfriamiento, es posible que escuche sonidos normales de funcionamiento que no le son familiares.

### Modo de ahorro de energía

Una característica seleccionable que apaga los calentadores alrededor de las puertas y el despachador del refrigerador.

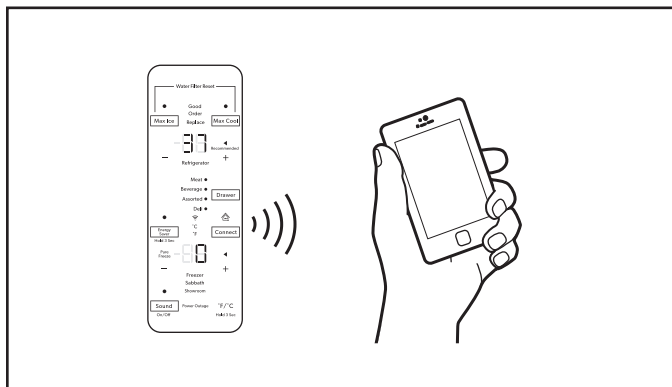
Cuando esta característica está activada, puede formarse condensación al frente del gabinete del refrigerador, en la junta o en la parte superior del cajón del congelador. El ahorro puede variar según la humedad relativa del ambiente.

## CARACTERÍSTICAS DE CONECTIVIDAD DEL REFRIGERADOR

(en algunos modelos)

La conectividad Wi-Fi permite que el refrigerador inteligente se conecte a Internet e interactúe con la aplicación JennAir de su teléfono inteligente o dispositivo móvil. Esta conexión le ofrece varias opciones inteligentes para que ahorre tiempo y energía. Vea la sección “Solución de problemas: modelos conectados” de este Manual de uso y cuidado, repase las instrucciones de conexión para su enrutador específico y consulte instrucciones alternativas en [www.jennair.com/connect](http://www.jennair.com/connect) o llame al **1-877-559-2603**.

**NOTA:** Requiere Wi-Fi y la creación de una cuenta. Las características y las funciones de la aplicación pueden cambiar. Sujeto a los términos de servicio disponibles en [www.jennair.com/connect](http://www.jennair.com/connect). Es posible que apliquen tarifas para transmisión de datos.



## CARACTERÍSTICAS INTELIGENTES

Las características inteligentes ayudan a que su vida diaria sea un poco más eficiente al permitir monitorear, controlar y mantener el refrigerador de forma remota.

### Control remoto de la temperatura

**Lo que hace:** Le permite controlar el refrigerador de forma remota en un dispositivo móvil mediante la aplicación JennAir.

**Lo que hace por usted:** Le permite controlar las temperaturas del refrigerador, el congelador y la despensa con temperatura controlada de forma remota, no solo cuando está parado delante del electrodoméstico.

### Estado del filtro de agua

**Lo que hace:** Permite examinar la vida útil restante del filtro de agua antes de que sea necesario cambiarlo. Esto permite restablecer el filtro.

**Lo que hace por usted:** Le ayuda a ser más eficiente para pedir y cambiar filtros.

### Aplicación para pedidos automáticos

**Lo que hace:** Le permite pedir filtros de repuesto, productos de consumo y accesorios a través de la aplicación JennAir, que podrá recibir directamente en su casa.

**Lo que hace por usted:** Simplifica el pedido de agua y filtros de aire correctos, sin viajes a la tienda en busca de los filtros correctos.

### Alerta de puerta entreabierta

**Lo que hace:** Le envía un aviso cuando una de las puertas del refrigerador ha quedado abierta.

**Lo que hace por usted:** Le alerta sobre el estado de puerta entreabierta para que pueda cerrar la puerta o llamar a su casa para pedirle a otra persona que cierre la puerta antes de que se produzca una situación de exceso de temperatura.

### Alertas de corte de corriente

**Lo que hace:** Le envía un aviso cuando se corta la electricidad que alimenta al refrigerador, cuando vuelve y cuando se alcanza la temperatura máxima en los compartimientos del refrigerador y del congelador durante el corte de luz.

**Lo que hace por usted:** Le alerta sobre el estado de la electricidad y sobre la duración del corte para permitirle tomar medidas con respecto a la disposición del contenido del refrigerador/congelador.

#### Over Temperature (Temperatura excesiva)

**Lo que hace:** Le envía una notificación cuando la temperatura del refrigerador sube y supera un valor especificado en los compartimientos del refrigerador y congelador.

**Lo que hace por usted:** Le alerta los excesos de temperatura para tomar medidas con respecto a la disposición del contenido del refrigerador/congelador.

#### Max Cool (Enfriamiento máximo)

**Lo que hace:** Le permite controlar el refrigerador de forma remota en un dispositivo móvil mediante la aplicación JennAir.

**Lo que hace por usted:** Le permite activar/desactivar las opciones de Max Cool (Enfriamiento máximo) de forma remota para reducir la temperatura del refrigerador antes de cargar alimentos recién comprados. Reduce las temperaturas internas durante 24 horas.

#### Hielo máximo

**Lo que hace:** Le permite controlar el congelador de forma remota desde el dispositivo móvil mediante la aplicación JennAir.

**Lo que hace por usted:** Le permite activar/desactivar la característica Max Ice (Hielo máximo) de forma remota para aumentar la producción de hielo. Reduce la temperatura ajustada al ajuste más bajo posible durante 24 horas para maximizar la producción de hielo.

#### Control de modo Pure Freeze®

**Lo que hace:** Le permite recibir el estado del refrigerador de manera remota en su dispositivo móvil mediante la aplicación JennAir.

**Lo que hace por usted:** Le informa si el modo Pure Freeze® está activo en el refrigerador para reducir las quemaduras de alimentos en el congelador y ayudar a que los productos congelados mantengan su apariencia y sabor.

#### Modo Sabbath (Día de descanso)

**Lo que hace:** Permite abrir o cerrar la puerta del refrigerador o congelador durante el Sabbath u otras celebraciones religiosas sin activar las luces o controles interiores. Le permite apagar y encender el refrigerador de forma remota desde su dispositivo móvil mediante la aplicación JennAir.

**Lo que hace por usted:** Le permite activar/desactivar las opciones del modo Sabbath de forma remota.

#### Control de intensidad de la luz del despachador

**Lo que hace:** Le permite controlar el refrigerador de forma remota en un dispositivo móvil mediante la aplicación JennAir.

**Lo que hace por usted:** Le permite activar/desactivar la iluminación del despachador de forma remota.

#### Control de llenado favorito

**Lo que hace:** Le permite cambiar los valores de Favorite Fill (Llenado favorito) en el refrigerador de manera remota mediante el dispositivo móvil con la aplicación JennAir.

**Lo que hace por usted:** Le permite establecer y guardar los valores de Favorite Fill de manera remota.

## PARA COMENZAR

Consulte el paquete de Quick Connect que se incluye con el refrigerador o visite [www.jennair.com/connect](http://www.jennair.com/connect) y siga las instrucciones para conectarse.

Revise la aplicación JennAir con frecuencia para conocer información y características adicionales.

Requiere Wi-Fi y la creación de una cuenta. Las características y las funciones de la aplicación pueden cambiar. Sujeto a los términos de servicio disponibles en: [www.jennair.com/connect](http://www.jennair.com/connect). Es posible que apliquen tarifas para transmisión de datos.

## CONFIGURACIÓN DE LA CONECTIVIDAD

(en algunos modelos)

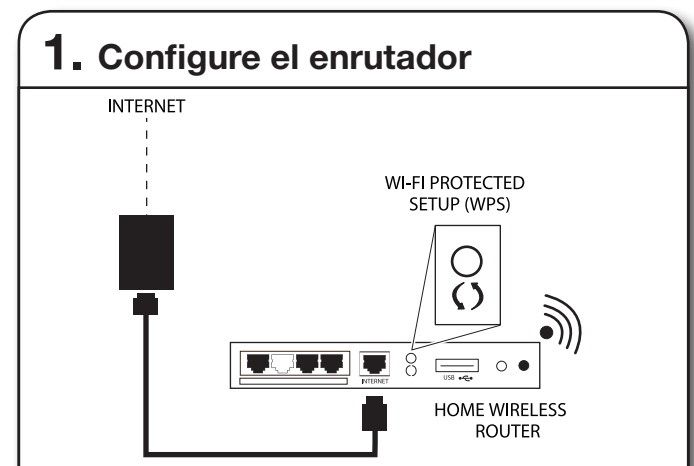
**IMPORTANTE:** La instalación correcta del refrigerador antes del uso es su responsabilidad. Asegúrese de leer y de seguir las Instrucciones para el usuario que vinieron con el refrigerador.

### Instrucciones para la configuración automática – Wi-Fi Protected Setup (WPS)

#### Necesitará:

- Un enrutador inalámbrico doméstico compatible con WPS. El enrutador debe estar encendido y tener una conexión de Internet activada.
- La identificación de electrodoméstico inteligente (SAID, por sus siglas en inglés) de su refrigerador. Ésta se encuentra en un autoadhesivo en la parte delantera de la cubierta de la bisagra derecha del refrigerador.

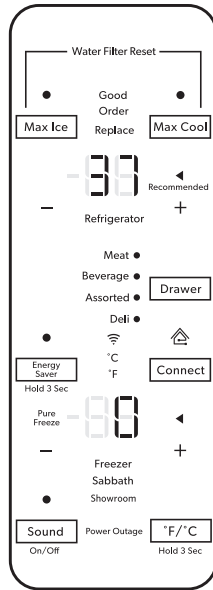
**NOTA:** Si el enrutador inalámbrico de su casa no tiene un botón de WPS, consulte el manual del usuario del enrutador para confirmar si está habilitado para WPS. De lo contrario, busque instrucciones de configuración alternativas en [www.jennair.com/connect](http://www.jennair.com/connect).



Presione el botón WPS en el enrutador. Una luz indicadora comenzará a parpadear.

**CONSEJO ÚTIL:** La función WPS del enrutador está activa durante 2 minutos. Complete el paso siguiente en ese tiempo o deberá reiniciar WPS.

## 2. Configure el refrigerador (paso con tiempo limitado)



Mantenga presionado el botón Connect (Conectar) durante tres segundos en la pantalla de inicio.

El indicador de estado de Wi-Fi (☎) en el panel de control del refrigerador parpadeará lentamente mientras el refrigerador y el enrutador intentan conectarse.

Si la conexión es correcta, el indicador de estado de Wi-Fi se encenderá y permanecerá iluminado.

### Si el refrigerador no se conecta:

Si el refrigerador y el enrutador no se pueden conectar después de 2 minutos, el indicador de estado de Wi-Fi parpadeará rápidamente durante 5 segundos y, después, se apagará. Vea la sección “Solución de problemas: modelos conectados” de este Manual de uso y cuidado, repase las instrucciones de conexión para su enrutador específico y consulte instrucciones alternativas en [www.jennair.com/connect](http://www.jennair.com/connect) o llame al 1-877-559-2603.

**NOTA:** Si este es su primer electrodoméstico inteligente, deberá descargar la aplicación JennAir y crear una cuenta de usuario en línea.

Si ya tiene la aplicación y una cuenta de usuario, vaya más adelante al paso 4, “Registro del refrigerador en su cuenta de usuario”.

Para desconectar Wi-Fi, mantenga presionado el botón Connect (Conectar) entre 7 y 15 segundos. Los iconos <Wi-Fi> y <house> se apagarán, lo que indica que desactivó la radio Wi-Fi.

Para volver a conectar Wi-Fi, mantenga presionado el botón Connect (Conectar) durante tres segundos en la pantalla de inicio.

El indicador de estado de Wi-Fi (☎) en el panel de control del refrigerador parpadeará lentamente mientras el refrigerador y el enrutador intentan conectarse.

Si la conexión es correcta, el indicador de estado de Wi-Fi se encenderá y permanecerá iluminado.

Para desconectar el refrigerador del enrutador, mantenga presionado CONNECT durante más de 15 segundos. Los iconos <Wi-Fi> y <house> se apagarán para indicar que su refrigerador está completamente desconectado de Wi-Fi y el enrutador.

Para volver a conectar el refrigerador al enrutador, y restablecer la conexión de Wi-Fi, mantenga presionado CONNECT (Conectar) durante tres segundos en la pantalla de inicio.

El indicador de estado de Wi-Fi (☎) en el panel de control del refrigerador parpadeará lentamente mientras el refrigerador y el enrutador intentan conectarse.

Si la conexión es correcta, el indicador de estado de Wi-Fi se encenderá y permanecerá iluminado.

Presione el botón WPS en el enrutador. Una luz indicadora comenzará a parpadear.

**CONSEJO ÚTIL:** La función WPS del enrutador está activa durante 2 minutos. Complete el paso siguiente en ese tiempo o deberá reiniciar WPS.

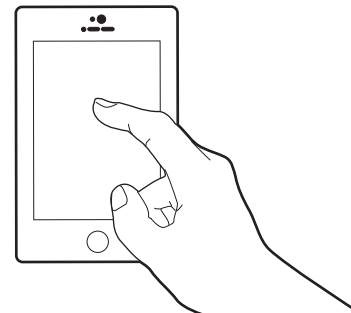
## 3. Descargue la aplicación JennAir y configure la cuenta de usuario



En su dispositivo móvil, teléfono inteligente o tableta, vaya a [www.jennair.com/connect](http://www.jennair.com/connect) y siga las instrucciones para descargar e instalar la aplicación JennAir.

Una vez instalada, toque el icono de la aplicación JennAir para abrirla. Se lo guiará a través de los pasos para configurar una cuenta de usuario. La aplicación se asegurará de obtener la información personal y de la casa que sea necesaria, así como datos sobre su empresa de suministro de electricidad.

## 4. Registro del refrigerador en su cuenta de usuario



El registro del refrigerador en su cuenta de usuario es un paso necesario para poder aprovechar plenamente las características inteligentes. Cuando la aplicación se lo solicite, ingrese el SAID (distingue entre mayúsculas y minúsculas), que se encuentra en un autoadhesivo en la parte delantera de la cubierta de la bisagra derecha del refrigerador.

Mi n.º de identificación de electrodoméstico inteligente es:

- El indicador de estado de Wi-Fi en el panel de control del refrigerador parpadeará lentamente mientras el refrigerador y el enrutador intentan conectarse.
- Tenga en cuenta que este parpadeo solo se aplica al primer registro después del suministro. No hay parpadeo para la reconexión automática después de que se establece una conexión.
- Una vez que haya conectado el refrigerador a la red Wi-Fi de su casa, permanecerá vinculado incluso aunque se corte la electricidad, el electrodoméstico se cambie de lugar o se almacene durante un tiempo.
- Si cambia el enrutador inalámbrico (o el refrigerador inteligente), deberá repetir este proceso de configuración de la conectividad.



# INSTRUCCIONES DE INSTALACIÓN

## Desembale el refrigerador

### ⚠️ ADVERTENCIA

#### Peligro de Peso Excesivo

Use dos o más personas para mover e instalar el refrigerador.

No seguir esta instrucción puede ocasionar una lesión en la espalda u otro tipo de lesiones.

#### Entrega del refrigerador

- Se requiere una apertura mínima de la puerta de 33" (838 mm). Si la apertura de la puerta es de 36" (914 mm) o menos, entonces será necesario retirar las puertas, estantes y bisagras.
- Traslade el refrigerador por el lado de las aperturas de puerta.

#### Cómo mover su refrigerador:

Su refrigerador es pesado. Cuando mueva el refrigerador para limpiarlo o para darle servicio, cerciórese de cubrir el piso con cartón o madera para evitar daños en el mismo. Al mover el refrigerador, siempre tire directamente hacia afuera. No menee el refrigerador de lado a lado ni lo haga "caminar" cuando lo trate de mover ya que podría dañar el piso.

#### Cómo retirar el material de embalaje

- Quite los restos de cinta y pegamento de las superficies de su refrigerador antes de encenderlo. Frote un poco de detergente líquido para vajilla sobre el adhesivo con los dedos. Limpie con agua tibia y seque.
- No use instrumentos filosos, alcohol para fricciones, líquidos inflamables o limpiadores abrasivos para eliminar los restos de cinta o de adhesivo. Estos productos pueden dañar la superficie de su refrigerador.
- Deseche o recicle todo el material de empaque.

#### Limpieza antes del uso

Después de quitar todo el material de embalaje, limpie el interior del refrigerador antes de usarlo. Vea las instrucciones de limpieza en la sección "Cuidado del refrigerador".

#### Información importante para saber acerca de los estantes y tapas de vidrio:

No limpie los estantes y tapas de vidrio con agua caliente mientras están fríos. Los estantes y tapas pueden romperse si se exponen a cambios bruscos de temperatura o impacto, como sería un golpe brusco. El vidrio templado se ha diseñado para hacerse añicos. Esto es normal. Los estantes y tapas de vidrio son muy pesados. Use ambas manos al sacarlos para evitar que se caigan.

## Requisitos de ubicación

### ⚠️ ADVERTENCIA



#### Peligro de Explosión

Mantenga los materiales y vapores inflamables, tales como gasolina, alejados del refrigerador.

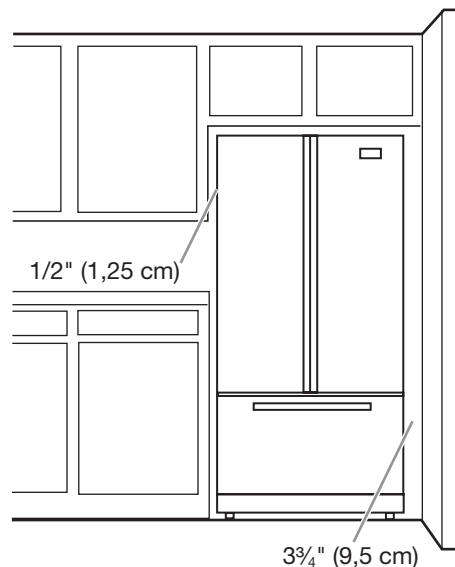
No seguir esta instrucción puede ocasionar la muerte, explosión, o incendio.

**IMPORTANTE:** Este aparato ha sido diseñado para usarse en un entorno doméstico y aplicaciones similares, como por ejemplo:

- Áreas de cocina para el personal en tiendas, oficinas y otros ambientes de trabajo,
- En granjas y por los clientes de hoteles, moteles y otros ambientes de tipo residencial,
- Lugares de alojamiento que ofrecen cama y desayuno,
- Aplicaciones en banquetería y otros negocios minoristas.

Para garantizar una ventilación adecuada del refrigerador, deje un espacio mínimo de 1/2" (1,25 cm) a cada lado y por encima. Deje un espacio mínimo de 1" (2,54 cm) detrás del refrigerador. Si el refrigerador tiene fábrica de hielo, asegúrese de que haya espacio adicional atrás para las conexiones de la línea de agua. Cuando instale el refrigerador junto a una pared fija, deje un espacio mínimo de 3/4" (9,5 cm) entre el refrigerador y la pared para permitir el giro de apertura de la puerta.

**NOTA:** Este refrigerador ha sido diseñado para usarse en un lugar en donde los rangos de temperatura varíen entre un mínimo de 55 °F (13 °C) y un máximo de 110 °F (43 °C). Para un óptimo rendimiento, el rango preferido de temperatura ambiente (que reduce el uso de electricidad y provee un enfriamiento superior) es entre 60 °F (15 °C) y 90 °F (32 °C). No se recomienda instalar el refrigerador cerca de una fuente de calor, como un horno o un radiador.



## Cómo retirar y volver a colocar las puertas del refrigerador

**NOTA:** Mida el ancho de la abertura de la puerta de su casa para averiguar si es necesario retirar las puertas del refrigerador para ingresarlo. Si es necesario retirar las puertas del refrigerador, consulte las instrucciones a continuación.

**IMPORTANTE:** Si el refrigerador se instaló previamente y lo va a sacar de la casa, antes de comenzar apague el control del refrigerador. Desenchufe el refrigerador o desconecte el suministro de energía. Retire los alimentos y los cajones ajustables o de uso múltiple de las puertas.

Reúna las herramientas necesarias y lea todas las instrucciones antes de quitar las puertas.

**HERRAMIENTAS NECESARIAS:** Un destornillador TORX T25<sup>†</sup> y uno Phillips n.º 2



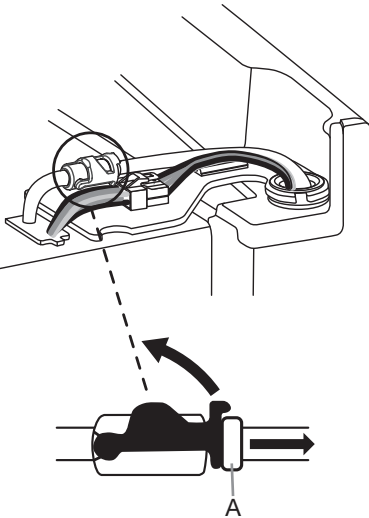
### ⚠ ADVERTENCIA

#### Peligro de Choque Eléctrico

Desconecte el suministro de energía antes de sacar las puertas.

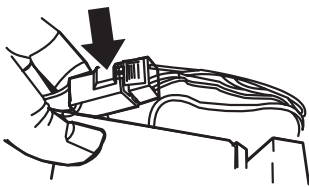
No seguir esta instrucción puede ocasionar la muerte o choque eléctrico.

#### Conexión de la tubería del despachador de agua

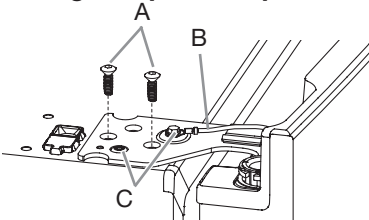


A. Anillo exterior

#### Enchufe de cableado

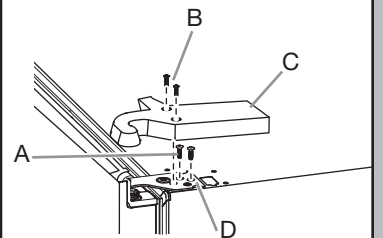


#### Bisagra superior izquierda



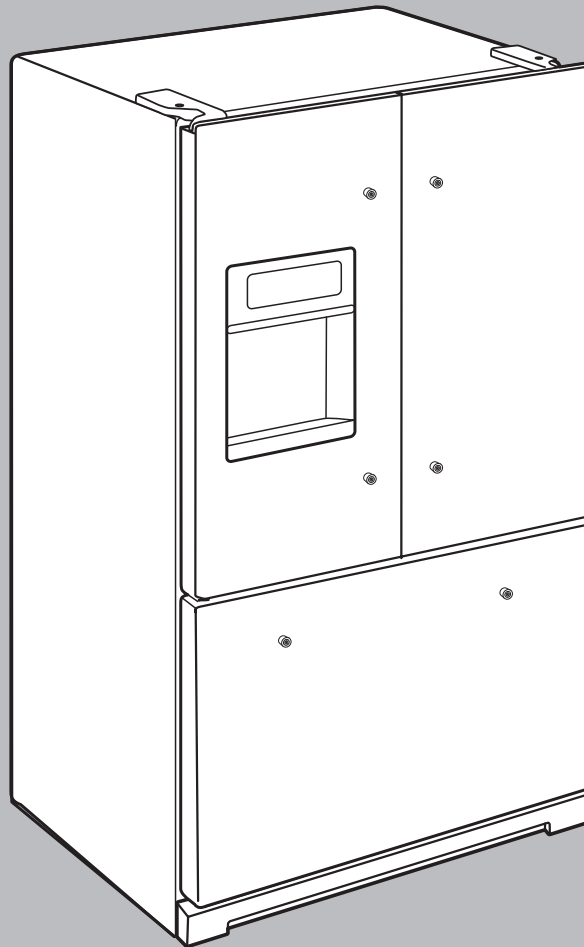
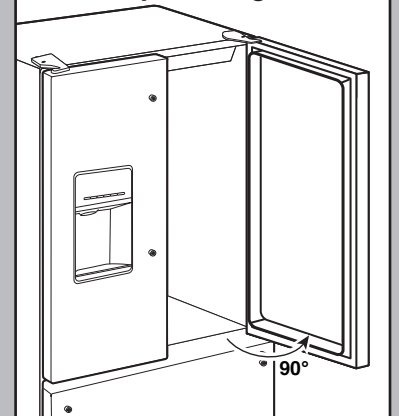
- A. Tornillos TORX T25
- B. Cable a tierra (no se debe quitar)
- C. No quite los tornillos

#### Bisagra superior derecha



- A. Tornillos TORX T25
- B. Tornillo para la cubierta de la bisagra
- C. Cubierta de la bisagra superior
- D. Bisagra superior

#### Puerta en ángulo de 90° con respecto al gabinete



<sup>†</sup>TORX y T25 son marcas comerciales de Acument Intellectual Properties, LLC.

## ⚠ ADVERTENCIA

### Peligro de Peso Excesivo

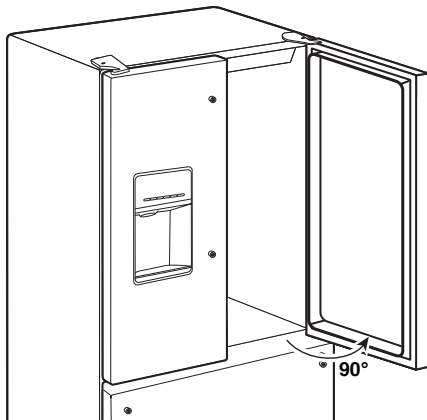
Use dos o más personas para mover e instalar el refrigerador.

No seguir esta instrucción puede ocasionar una lesión en la espalda u otro tipo de lesiones.

### Bisagras inferiores de la puerta

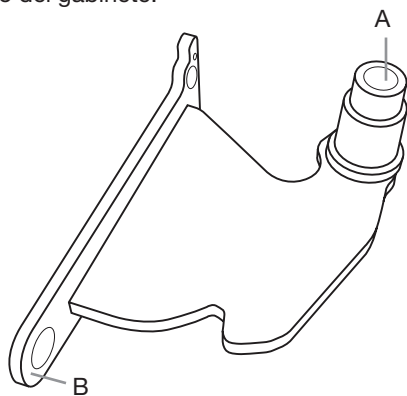
Para su comodidad, las puertas del refrigerador tienen bisagras inferiores con cerradores de puerta. Estos cerradores permiten que las puertas se cierren por completo con un empujón suave.

**IMPORTANTE:** Para que los cerradores funcionen correctamente, las puertas se deben quitar solo cuando estén abiertas en un ángulo de 90° con respecto a la parte frontal del gabinete. Si alguna de las puertas no estuviera en un ángulo de 90° cuando se la retira, la bisagra inferior de la puerta deberá reposicionarse.



### Cómo reposicionar las bisagras de las puertas

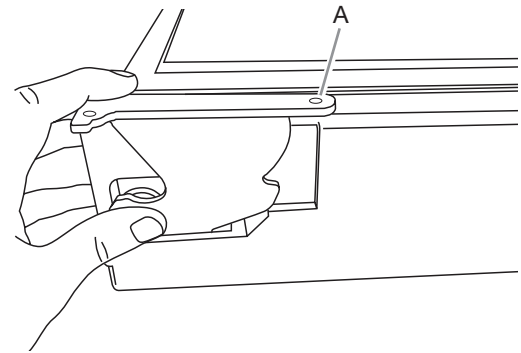
1. Levante la puerta desde el pasador de la bisagra inferior y colóquela en una superficie plana.
2. Con un destornillador TORX T25, retire la bisagra inferior con el casquillo del gabinete.



A. Casquillo  
B. Base de bisagra

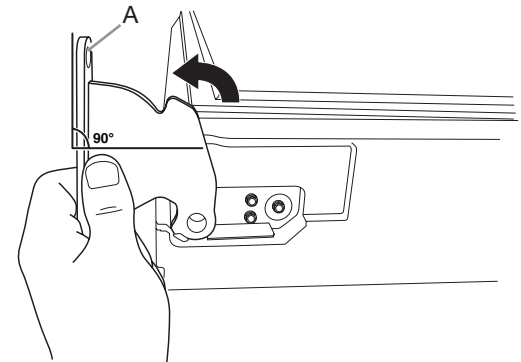
3. Inserte la bisagra inferior y el casquillo en la ranura correspondiente en la parte inferior de la puerta.

**NOTA:** Asegúrese de que la base de la bisagra esté paralela a la parte inferior de la puerta.



A. Base de bisagra paralela al borde inferior de la puerta

4. Gire la bisagra hasta que la base quede en un ángulo de 90° con respecto al borde inferior de la puerta.



A. Base de la bisagra girada a un ángulo de 90° con respecto al borde inferior de la puerta

5. Retire la bisagra de la puerta. Con un destornillador TORX T25, vuelva a instalar la bisagra inferior en el gabinete del refrigerador.
6. Ahora la bisagra estará reposicionada y lista para volver a colocar la puerta. Vea "Cómo volver a colocar las puertas del refrigerador" más adelante en esta sección.

### Cómo retirar las puertas del refrigerador

## ⚠ ADVERTENCIA



### Peligro de Choque Eléctrico

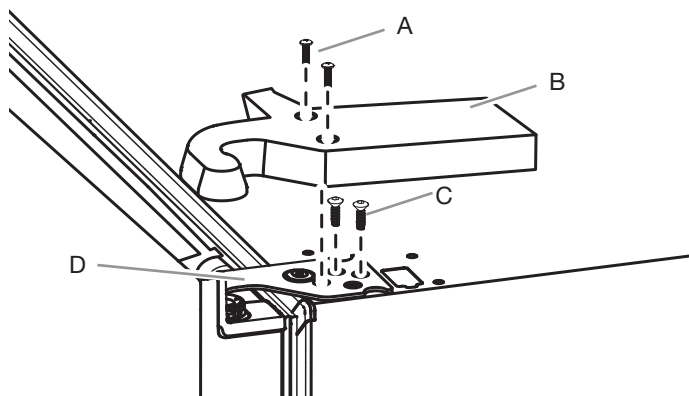
Desconecte el suministro de energía antes de sacar las puertas.

No seguir esta instrucción puede ocasionar la muerte o choque eléctrico.

### Cómo retirar la puerta del lado derecho

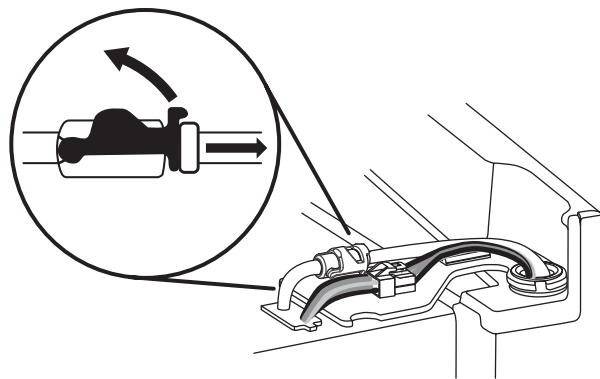
1. Desenchufe el refrigerador o desconecte el suministro de energía.
2. Mantenga las puertas del refrigerador cerradas hasta que esté listo para levantarlas y quitarlas del gabinete.  
**NOTA:** Mientras retira las bisagras, siempre disponga de un soporte adicional para la puerta del refrigerador. No dependa de los imanes de la junta de las puertas para sostener la puerta en su lugar mientras trabaja.

- Use un destornillador Phillips para quitar la cubierta de la bisagra superior.
- Con el destornillador TORX T25, extraiga los dos tornillos de la bisagra superior y déjelos a un lado.



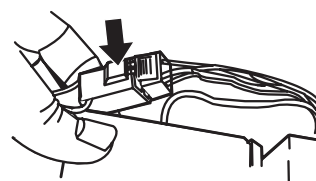
A. Tornillo de la cubierta de la bisagra superior  
B. Cubierta de la bisagra superior

C. Tornillos TORX T25  
D. Bisagra superior



- Desconecte el enchufe de cableado que está en la parte superior de la bisagra de la puerta.
  - Sujete cada lado del enchufe de cableado y con el pulgar izquierdo presione hacia abajo para liberar el seguro y jale las secciones del enchufe para separarlas.

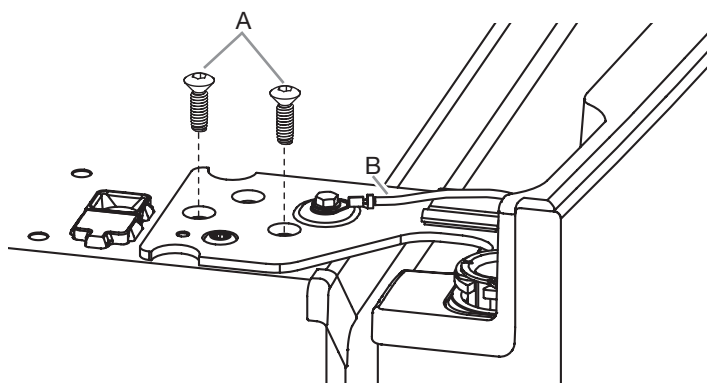
**NOTA:** No quite el cable a tierra de color verde. Debe permanecer sujeto a la bisagra de la puerta.



- Con el destornillador TORX T25, extraiga los dos tornillos internos de la bisagra superior y déjelos a un lado.

**NOTAS:**

- Mientras retira las bisagras, siempre disponga de un soporte adicional para la puerta del refrigerador. No dependa de los imanes de la junta de las puertas para sostener la puerta en su lugar mientras trabaja.



A. Tornillos TORX T25  
B. Cable a tierra (no se debe quitar)

- Levante la puerta del refrigerador para retirarla del pasador de la bisagra inferior. La bisagra superior se saldrá junto con la puerta.

**NOTA:** Quizá no sea necesario quitar las bisagras inferiores y los conjuntos de patas con freno para hacer pasar el refrigerador por una puerta.

- Solo si es necesario, use un destornillador TORX T25 para quitar las bisagras inferiores y los tornillos de las patas con freno.

**⚠ ADVERTENCIA**

**Peligro de Peso Excesivo**

Use dos o más personas para levantar la puerta del refrigerador.

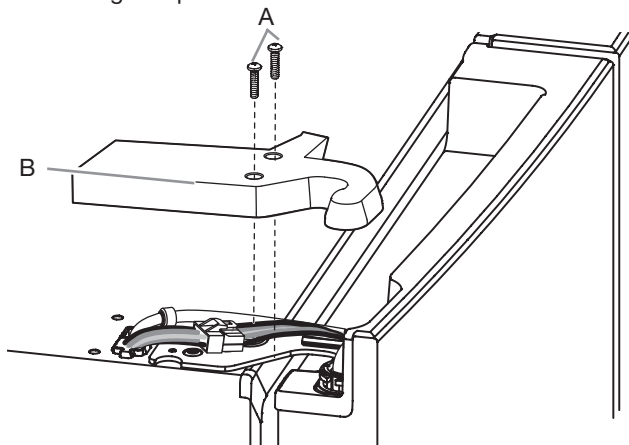
No seguir esta instrucción puede ocasionar una lesión en la espalda u otro tipo de lesiones.

- Abra la puerta hasta que se encuentre en un ángulo de 90° con respecto a la parte delantera del gabinete.
- Levante la puerta del refrigerador para retirarla del pasador de la bisagra inferior. La bisagra superior se saldrá junto con la puerta.

**Cómo retirar la puerta del lado izquierdo**

**IMPORTANTE:** La tubería y el cableado para el despachador de agua pasan a través de la bisagra de la puerta del lado izquierdo, de modo que se deben desconectar antes de quitar la puerta.

- Use un destornillador de punta plana para retirar la cubierta de la bisagra superior.



A. Tornillo de la cubierta de la bisagra superior  
B. Cubierta de la bisagra superior

- Desconecte la tubería del despachador de agua ubicada en la parte superior de la bisagra de la puerta. Jale la abrazadera hacia arriba con firmeza. Luego jale la tubería para retirarla de la conexión.

**NOTA:** La tubería del despachador de agua permanece sujeta a la puerta del refrigerador del lado izquierdo.

### Cómo volver a colocar la puerta del refrigerador del lado derecho

1. Coloque la puerta del lado derecho sobre el pasador de la bisagra inferior.
2. Inserte el pasador de la bisagra superior en el orificio abierto de la parte superior de la puerta del refrigerador.
3. Use los tres tornillos TORX T25 para fijar la bisagra al gabinete. No apriete los tornillos por completo.

### Cómo volver a colocar la puerta del refrigerador del lado izquierdo

**IMPORTANTE:** No entrelace la tubería de agua y los mazos de cables cuando los vuelva a conectar.

1. Coloque la puerta del lado izquierdo sobre el pasador de la bisagra inferior.
2. Use los tres tornillos TORX T25 para fijar la bisagra al gabinete. No apriete los tornillos por completo.
3. Vuelva a conectar la tubería del despachador de agua.  
Inserte la tubería de manera firme dentro de la conexión hasta que se detenga. Cierre la abrazadera alrededor de la tubería. La abrazadera encaja en su lugar entre la conexión y el collar. Conecte el lado hembra de color azul con el lado macho de color azul y cierre con la abrazadera. Repita con el lado hembra de color gris y el lado macho de color gris.
4. Vuelva a conectar el cableado eléctrico.
  - Empuje para unir las 2 secciones del enchufe de cableado.

### Pasos finales

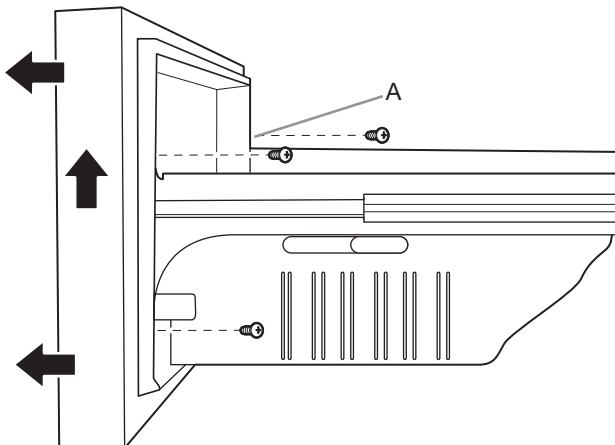
1. Apriete por completo los seis tornillos TORX T25 internos (tres en la bisagra de la puerta derecha y tres en la bisagra de la puerta izquierda).
2. Vuelva a colocar las cubiertas de las dos bisagras superiores.

## Cómo retirar y volver a colocar el frente de los cajones del congelador

### Cajón del congelador

#### Para retirar el frente del cajón

1. Abra el cajón del congelador en toda su extensión.
2. Afloje los 2 tornillos superiores que sujetan el frente del cajón a las guías del cajón. Los 2 tornillos (1 en el lado izquierdo y 1 en el lado derecho) están dentro del frente del cajón.
3. Retire los 2 tornillos de la parte inferior, dentro del frente del cajón, que sujetan el frente del cajón a las guías.
4. Levante el frente del cajón para liberar los tornillos de la ranura del soporte de la guía del cajón.

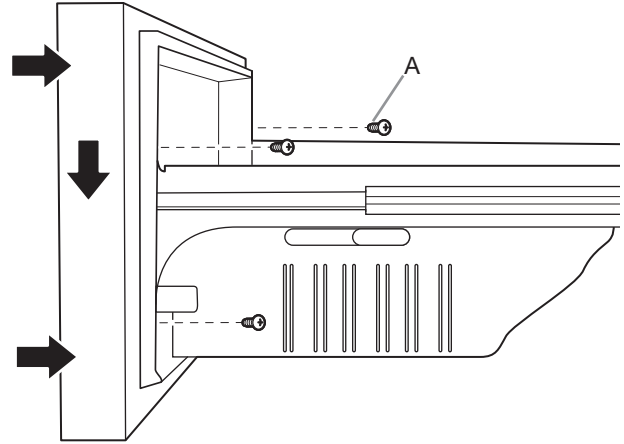


A. Ranuras del soporte de la guía del cajón

#### Para volver a colocar el frente del cajón

1. Jale las guías del cajón del congelador hasta su máxima extensión.
2. Sujete el frente del cajón por los lados y alinee los tornillos superiores que se encuentran en la parte inferior del interior del frente del cajón con las ranuras del soporte de la guía del cajón.

**NOTA:** Será una ayuda que una persona sostenga las guías del cajón con firmeza mientras otra alinea el frente del cajón e inserta los vástagos en las ranuras.



A. Tornillo del frente del cajón

3. Apriete los dos tornillos de la parte superior del frente del cajón (uno en el lado izquierdo y uno en el lado derecho) e instale los dos tornillos en la parte inferior.

### Pasos finales

## ⚠ ADVERTENCIA



### Peligro de Choque Eléctrico

**Conecte a un contacto de pared de conexión a tierra de 3 terminales.**

**No quite la terminal de conexión a tierra.**

**No use un adaptador.**

**No use un cable eléctrico de extensión.**

**No seguir estas instrucciones puede ocasionar la muerte, incendio o choque eléctrico.**

1. Enchufe a un tomacorriente de pared de tres terminales con conexión a tierra.
2. Restablezca los controles. Vea la sección "Uso de los controles".
3. Vuelva a colocar todas las piezas desmontables y los alimentos en los cajones.

## Requisitos eléctricos

### ⚠ ADVERTENCIA



#### Peligro de Choque Eléctrico

**Conecte a un contacto de pared de conexión a tierra de 3 terminales.**

**No quite la terminal de conexión a tierra.**

**No use un adaptador.**

**No use un cable eléctrico de extensión.**

**No seguir estas instrucciones puede ocasionar la muerte, incendio o choque eléctrico.**

Antes de mover el refrigerador a su ubicación final, es importante asegurarse de tener la conexión eléctrica adecuada.

#### Método de conexión a tierra recomendado

Se requiere un suministro eléctrico de 115 voltios, 60 Hz, CA solamente, con fusibles de 15 o 20 amperios, debidamente conectado a tierra. Se recomienda proporcionar un circuito separado que preste servicio solo al refrigerador y accesorios aprobados. Use un tomacorriente que no se pueda apagar con un interruptor. No use un cable eléctrico de extensión.

Si se ha dañado el cable de suministro, deberá ser reemplazado por el fabricante, por el agente de servicio del fabricante o por una persona con calificación similar. No use un cable con grietas o daño por desgaste en el largo, el enchufe o la punta del conector.

**IMPORTANTE:** Si este producto está conectado a un tomacorriente protegido por GFCI (Ground Fault Circuit Interrupter- Interruptor de circuito de falla eléctrica de puesta a tierra), puede ocurrir un disparo molesto del suministro de energía, lo que resultará en la pérdida de refrigeración. Esto puede afectar la calidad y el sabor de los alimentos. Si ha ocurrido un disparo molesto, y el alimento parece estar en malas condiciones, deséchelo.

**NOTA:** Antes de realizar cualquier tipo de instalación o limpieza, apague la opción Cooling (Enfriamiento) y, después, desconecte el refrigerador de la fuente de electricidad. Cuando haya finalizado, vuelva a conectar el refrigerador a la fuente de electricidad y active la opción Cooling (Enfriamiento). Vea la sección "Uso de los controles".

## Requisitos de suministro de agua

Se necesita un suministro de agua fría con presión de agua entre 30 y 120 lbs/pulg<sup>2</sup> (207 y 827 kPa) para hacer funcionar el despachador de agua y la fábrica de hielo.

**NOTA:** Si la presión de agua es menor que lo requerido, el flujo de agua del despachador de agua podría disminuir o los cubos de hielo podrían ser huecos o de tamaño irregular. Si tiene preguntas acerca de la presión del agua, llame a un plomero competente autorizado.

#### Suministro de agua por ósmosis inversa

**IMPORTANTE:** La presión del suministro de agua que sale de un sistema de ósmosis inversa y suministra a la válvula de entrada de agua del refrigerador debe ser entre 35 y 120 psi (241 y 827 kPa).

Si el sistema de filtrado de agua por ósmosis inversa está conectado al suministro de agua fría doméstico, la presión de agua para el sistema de ósmosis inversa debe ser entre 40 y 60 psi (276 y 414 kPa).

- Fíjese si el filtro de sedimentos en el sistema de ósmosis inversa está bloqueado. Reemplácelo si fuera necesario.
  - Deje que se vuelva a llenar el tanque de almacenaje del sistema de ósmosis inversa después del uso intenso. La capacidad del tanque podría ser demasiado pequeña para cumplir con los requisitos del refrigerador.
- NOTA:** No se recomiendan los sistemas de ósmosis inversa para montar en el grifo.
- Si el refrigerador tiene un filtro de agua, puede reducir la presión aún más si se usa junto con un sistema de ósmosis inversa. Retire el filtro de agua. Vea la sección "Sistema de filtración de agua".

Si tiene preguntas acerca de la presión del agua, llame a un plomero competente certificado.

## Conexión del suministro de agua

Lea todas las instrucciones antes de comenzar.

#### IMPORTANTE:

- Conecte solamente al suministro de agua potable.

No use con agua que no sea microbiológicamente segura o que sea de calidad desconocida sin desinfectarla adecuadamente antes o después del sistema. Pueden usarse sistemas certificados para la reducción de quistes en aguas desinfectadas que puedan contener quistes filtrables.

- La plomería se debe instalar de acuerdo con el Código internacional de plomería y cualquier norma y ordenanza local.
  - Las conexiones de tuberías de cobre y polietileno reticulado (PEX) de la línea de agua doméstica al refrigerador son aceptables y ayudarán a evitar el mal sabor o mal olor en el hielo o el agua. Revise si hay fugas.
- Si se usa tubería de PEX en lugar de cobre, recomendamos los siguientes números de pieza: W10505928RP (7 ft [2,14 m] de PEX revestido), 8212547RP (5 ft [1,52 m] de PEX) o W10267701RP (25 ft [7,62 m] de PEX).
- Instale la tubería solo en áreas donde la temperatura va a permanecer por encima del punto de congelación.

#### Herramientas necesarias:

Reúna las herramientas y las piezas necesarias antes de comenzar la instalación.

- Destornillador de hoja plana
- Llaves de extremo abierto de 7/16" y 1/2" o dos llaves ajustables
- Llave de tuercas de 1/4"

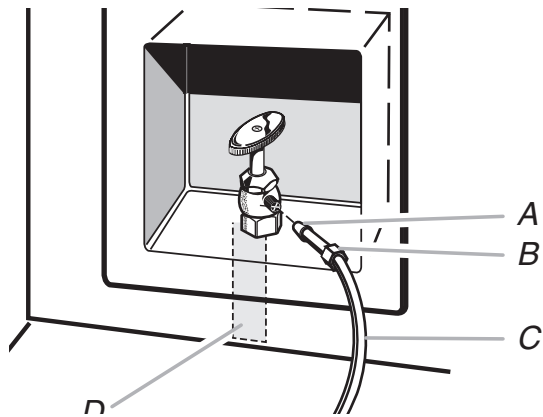
**NOTA:** No use una válvula perforadora o una válvula de montura de 3/16" (4,76 mm) que reduce el flujo de agua y se obstruye con mayor facilidad.

#### Conexión a la línea de agua

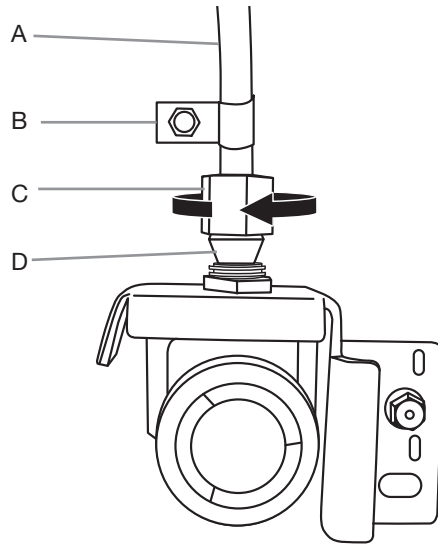
**IMPORTANTE:** Si encendió el refrigerador antes de conectar el agua, apague la fábrica de hielo.

1. Desenchufe el refrigerador o desconecte el suministro de energía.
2. Cierre el suministro de agua principal. Encienda el grifo más cercano el tiempo suficiente para reducir la presión de agua en el tubo de agua.
3. Use una válvula de cierre de un cuarto de vuelta o una equivalente, abastecida por una línea de suministro doméstico de 1/2".

**NOTA:** Recomendamos una línea de suministro doméstica de 1/2" (12,7 mm) como mínimo para permitir flujo de agua suficiente al refrigerador.

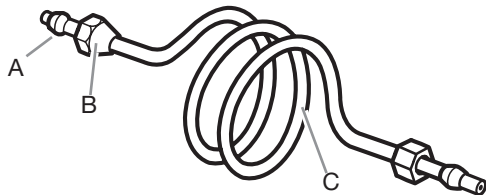


A. Manguito C. Tubería de cobre (al refrigerador)  
B. Tuerca D. Línea de suministro de la casa (1/2" como mínimo)



A. Tubería de cobre C. Tuerca de compresión  
B. Abrazadera en "P" D. Manguito de compresión

- Ahora está listo para conectar la tubería de cobre a la válvula de cierre. Use tubos de cobre blando de 1/4" (6,35 mm) de diámetro externo (DE) para conectar la válvula de cierre y el refrigerador.
  - Asegúrese de tener la longitud adecuada necesaria para el trabajo. Asegúrese de que ambos extremos de la tubería de cobre estén cortados a escuadra.
  - Deslice el manguito de compresión y la tuerca de compresión sobre la tubería de cobre como se muestra. Inserte el extremo de la tubería en el extremo de salida a escuadra tanto como sea posible. Atornille la tuerca de compresión al extremo de salida con una llave de tuercas ajustable. No apriete demasiado.



A. Manguito de compresión C. Tubería de cobre  
B. Tuerca de compresión

- Coloque el extremo libre de la tubería en un recipiente o un fregadero, abra el suministro principal de agua y deje correr el agua por la tubería hasta que el agua salga limpia. Cierre la válvula de cierre del tubo de agua.
 

**NOTA:** Siempre desagüe la tubería de agua antes de efectuar la conexión final al orificio de entrada de la válvula de agua para evitar un probable mal funcionamiento de la válvula de agua.
- Doble la tubería de cobre para que llegue a la entrada de la línea de agua que está en la parte trasera del gabinete del refrigerador, como se muestra. Deje un serpentín de tubería de cobre para que el refrigerador se pueda extraer del gabinete o alejar de la pared para realizar trabajos de servicio.

### Conexión al refrigerador

Siga las instrucciones de conexión que sean específicas para su modelo.

- Retire la tapa de plástico del puerto de entrada de la válvula de agua. Fije el tubo de cobre a la entrada de la válvula usando una tuerca y manguito de compresión, como se muestra. Apriete la tuerca de compresión. No apriete demasiado. Jale la tubería de cobre para asegurarse de que esté firme.
- Haga un lazo de servicio con la tubería de cobre. Evite las torceduras cuando enrolle la tubería de cobre. Asegure la tubería de cobre al gabinete del refrigerador con una abrazadera en "P".

- Abra el suministro de agua al refrigerador y revise si hay fugas. Corrija cualquier fuga que encuentre.
- Si desea hielo, encienda la fábrica de hielo.

### Complete la instalación

## ⚠ ADVERTENCIA



### Peligro de Choque Eléctrico

**Conecte a un contacto de pared de conexión a tierra de 3 terminales.**

**No quite la terminal de conexión a tierra.**

**No use un adaptador.**

**No use un cable eléctrico de extensión.**

**No seguir estas instrucciones puede ocasionar la muerte, incendio o choque eléctrico.**

- Enchufe a un tomacorriente de pared de tres terminales con conexión a tierra.
- Enjuague el sistema de agua. Vea la sección "Despachadores de agua y de hielo".

**NOTA:** Espere 24 horas para la producción del primer lote de hielo. Deseche de los tres primeros lotes de hielo producidos. espere 3 días para llenar por completo el depósito de almacenamiento de hielo.

## Cómo instalar y quitar las manijas

**Piezas incluidas:** manijas de puerta del refrigerador (2), manija de cajón del congelador (1), llave hexagonal de 1/8", tornillos de fijación de repuesto

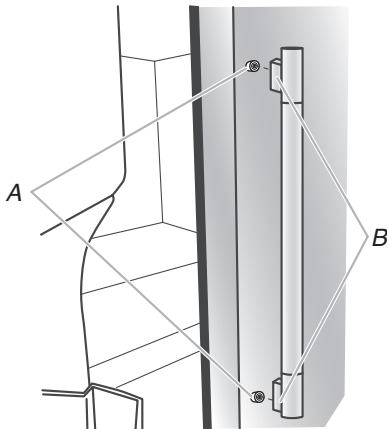
**NOTA:** La manija del cajón del congelador es más corta que las manijas de las puertas del refrigerador. El estilo de las manijas puede variar según el modelo..

## Instalación de las manijas

### Puertas del refrigerador

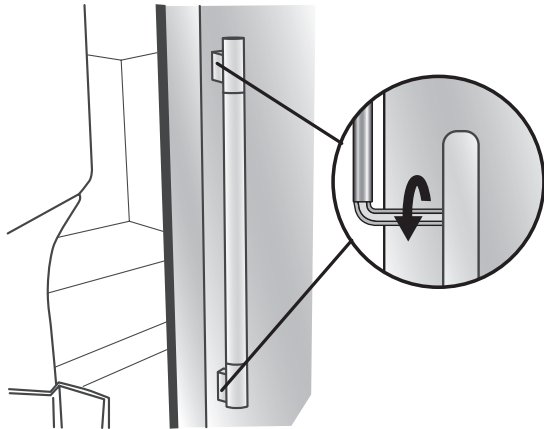
**NOTA:** Los tornillos de fijación de montaje de la manija vienen preinstalados dentro de la manija.

1. Retire las manijas del embalaje que está dentro del refrigerador y colóquelas sobre una superficie blanda.
2. Abra una puerta del compartimiento del refrigerador. Sobre la puerta cerrada, coloque una manija sobre los tornillos de tope de modo que los tornillos de fijación queden orientados hacia la puerta adyacente.



A. Tornillos de tope  
B. Tornillos de fijación dentro de la manija

3. Empuje con firmeza la manija hacia la puerta hasta que la base de la manija quede al ras contra la puerta.
4. Mientras sostiene la manija, inserte el extremo corto de la llave hexagonal dentro del orificio superior y gire ligeramente la llave hasta que quede enganchada en el tornillo de fijación.



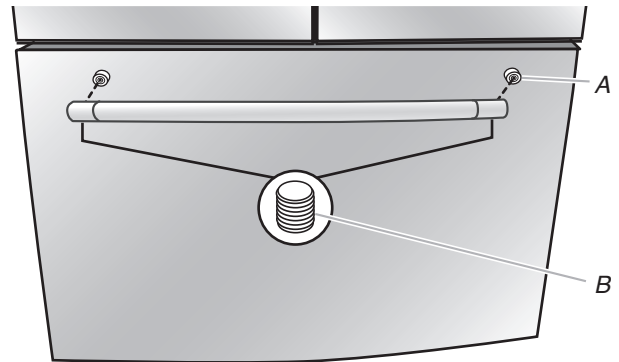
5. Con un movimiento en sentido horario, apriete el tornillo de fijación justo hasta que comience a hacer contacto con el tornillo de tope. No lo apriete por completo.
6. Repita los pasos 4 y 5 para fijar el tornillo de fijación inferior.
7. Una vez que ambos tornillos de fijación se hayan apretado parcialmente como se indicó en los pasos anteriores, apriete por completo ambos tornillos opresores.

**IMPORTANTE:** Cuando sienta los tornillos apretados, apriete un cuarto de vuelta adicional. La manija no está bien instalada sin este ajuste adicional.

8. Repita los pasos 2 a 7 para instalar la otra manija sobre la puerta adyacente del refrigerador.

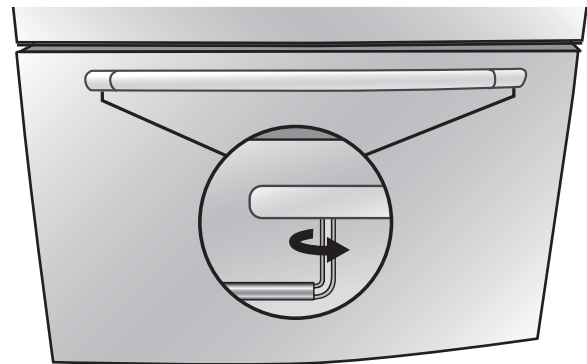
### Cajón del congelador

1. Con el cajón cerrado, coloque la manija sobre los tornillos de tope de modo que los tornillos de fijación queden orientados hacia el piso.



A. Tornillo de tope  
B. Tornillos de fijación dentro de la manija

2. Empuje con firmeza la manija hacia el cajón hasta que la base de la manija quede al ras del cajón.
3. Inserte el extremo corto de la llave hexagonal dentro del orificio izquierdo y gire ligeramente la llave hexagonal hasta que quede enganchada en el tornillo de fijación.



4. Con un movimiento de izquierda a derecha, apriete el tornillo de fijación un cuarto de vuelta por vez, justo hasta que comience a hacer contacto con el tornillo de tope. No lo apriete por completo.
  5. Repita los pasos 3 y 4 para fijar el tornillo de fijación del lado derecho al tornillo de tope.
  6. Una vez que haya apretado parcialmente ambos tornillos de fijación como se indicó en los pasos anteriores, apriételos por completo.
- IMPORTANTE:** Cuando sienta los tornillos apretados, apriete un cuarto de vuelta adicional. La manija no está bien instalada sin este ajuste adicional.
7. Guarde la llave hexagonal y todas las instrucciones.

### Cómo retirar las manijas

1. Mientras sostiene la manija, inserte el extremo corto de la llave hexagonal dentro del orificio del tornillo de fijación y gire ligeramente la llave hexagonal hasta que quede enganchada en el tornillo de fijación.
2. Con un movimiento de derecha a izquierda, afloje el tornillo de fijación un cuarto de vuelta por vez.
3. Repita los pasos 1 y 2 para el otro tornillo de fijación. Jale lentamente la manija para retirarla de la puerta o del cajón.
4. Si es necesario, use un destornillador Phillips para retirar los tornillos de tope de la puerta.



## Nivelación del refrigerador y cierre de las puertas

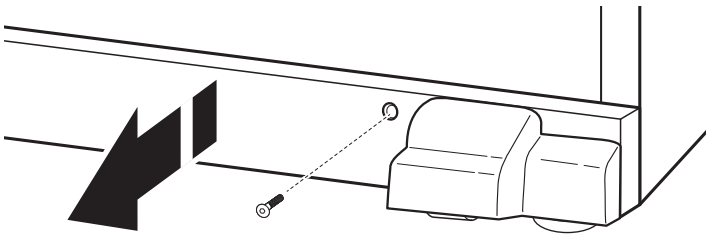
La rejilla de la base cubre los conjuntos de las patas con freno regulables y los rodillos ubicados en la base del refrigerador debajo del cajón del congelador. Antes de hacer cualquier ajuste, quite la rejilla de la base y traslade el refrigerador hasta su ubicación final.

**Herramientas necesarias:** Destornillador hexagonal de 1/4"

**Herramientas provistas:** Llave hexagonal de 1/8"

1. Utilice un destornillador hexagonal de 1/4" para quitar ambos tornillos en la rejilla de la base.
2. Retire la rejilla de la base. Use ambas manos para tomar la rejilla con firmeza y tirar de ella hacia usted. Abra el cajón del congelador para obtener acceso a la pata con freno.

**NOTA:** Para permitir que el refrigerador se deslice con mayor facilidad, gire las patas con freno en sentido antihorario para elevarlas. los rodillos delanteros tocarán el piso.



3. Mueva el refrigerador hasta su ubicación final.
  4. Use el destornillador hexagonal de 1/4" para bajar las patas con freno. Gire las patas con freno en sentido horario hasta que los rodillos queden separados del piso y ambas patas con freno estén apretadas contra el piso. Esto evita que el refrigerador ruede hacia delante cuando se abran las puertas del refrigerador o el cajón del congelador.
- IMPORTANTE:** Si necesita hacer otros ajustes con las patas con freno, deberá girarlas por igual para mantener nivelado el refrigerador.
5. Con un nivel, cerciórese de que el refrigerador esté nivelado de lado a lado y del frente hacia la parte posterior.
  6. Cerciórese de que las puertas estén niveladas en la parte superior y de que el espacio entre la parte inferior de las puertas del refrigerador y la parte superior del cajón del congelador sea uniforme. Alinee las puertas si es necesario.

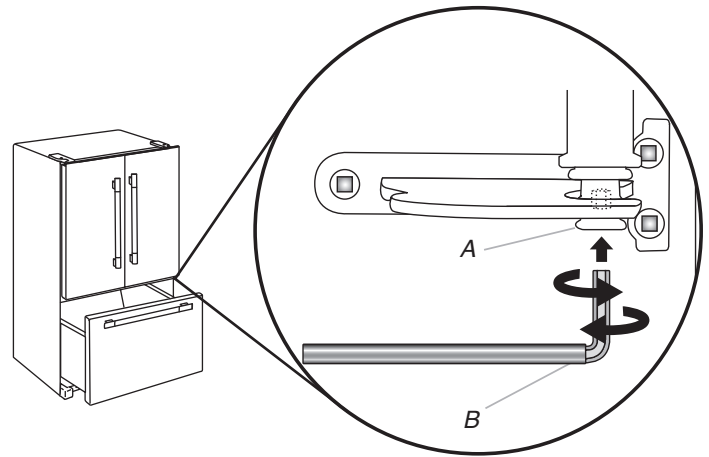
### Para alinear las puertas:

- Jale hacia fuera el cajón del congelador mientras mantiene cerradas ambas puertas del refrigerador. Ubique el pasador de la bisagra inferior de la puerta del lado derecho del refrigerador. El tornillo de alineación está en el interior del pasador de la bisagra inferior.
- Inserte el extremo corto de la llave hexagonal de 1/8" (empacada con las instrucciones de instalación de las manijas de las puertas) dentro del pasador de la bisagra inferior hasta que quede enganchado por completo en el tornillo de alineación.

Para levantar la puerta del refrigerador, gire la llave hexagonal hacia la derecha.

Para bajar la puerta, gire la llave hexagonal hacia la izquierda.

- Siga girando el tornillo de alineación hasta que las puertas queden alineadas.



A. Pasador de la bisagra inferior  
B. Llave hexagonal de 1/8"

7. Asegúrese de que el refrigerador esté estable. Si parece inestable o se desliza hacia adelante cuando se jala una puerta o un cajón para abrirlo, regule las patas con freno.

### Para estabilizar el refrigerador:

- Abra el cajón del congelador. Con un destornillador hexagonal de 1/4", gire ambas patas con freno en sentido horario por igual hasta que queden ajustadas contra el piso. Verifique de nuevo. Si no está satisfecho, siga regulando las patas con freno girando el tornillo media vuelta hasta que el refrigerador no ruede hacia delante cuando se abra el cajón.

**NOTA:** para quitar un poco de peso de las patas con freno, haga que alguien empuje la parte superior del refrigerador; esto facilita el giro de los tornillos. No use demasiada fuerza para empujar, podría inclinar el refrigerador.

8. Para volver a colocar la rejilla de la base, alinee los extremos de la rejilla con los conjuntos niveladores que hay a cada lado y encaje la rejilla a presión en su lugar. Utilice un destornillador hexagonal de 1/4" para volver a instalar los tornillos.

## FILTROS Y ACCESORIOS

### Sistema de filtración de agua

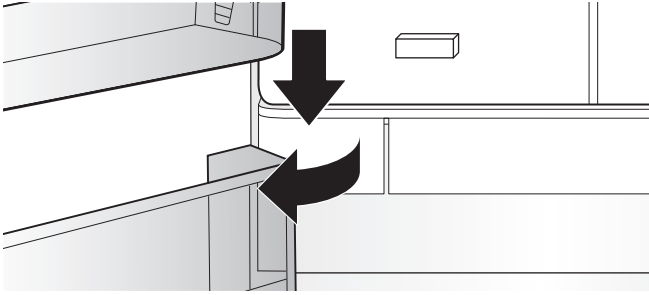
No use con agua que no sea microbiológicamente segura o que sea de calidad desconocida sin desinfectarla adecuadamente antes o después del sistema. Pueden usarse sistemas certificados para la reducción de quistes en aguas desinfectadas que puedan contener quistes filtrables.

### Cómo cambiar e instalar el filtro de agua

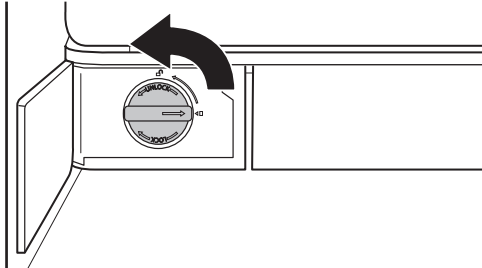
El filtro del agua debe ser reemplazado cada 6 meses con base en un caudal de 0,50 gpm a 0,60 gpm (1,89-2,27 Lpm) que filtre 200 galones (757 litros) de agua.

Para pedir un filtro de repuesto, póngase en contacto con nosotros. Vea la sección "Accesorios" del Manual de uso y cuidado para obtener información sobre pedidos.

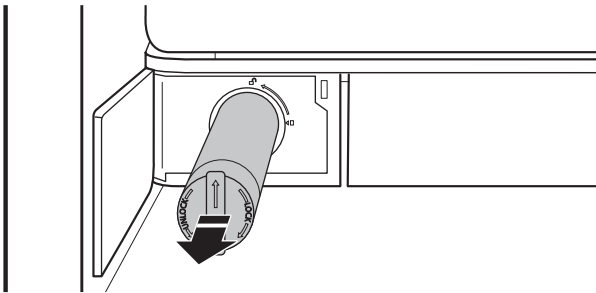
1. Empuje la puerta del filtro de agua para abrirla; se encuentra en la parte inferior izquierda del compartimiento del refrigerador.



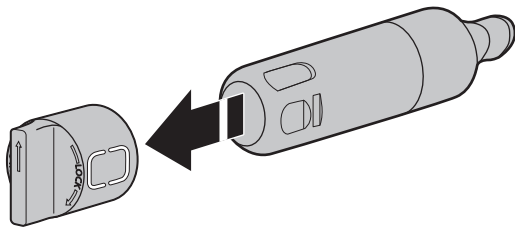
2. Retuerza el filtro de agua y gire 90° en sentido antihorario para desbloquearlo.



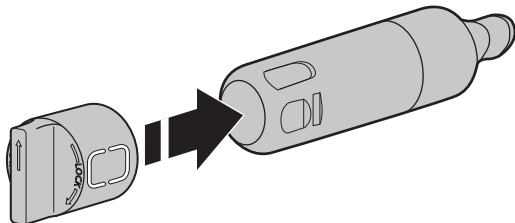
3. Jale el filtro hacia fuera del alojamiento.



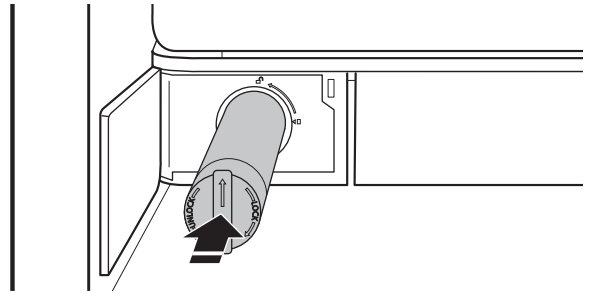
4. Quite la tapa del filtro de agua que está cambiando.



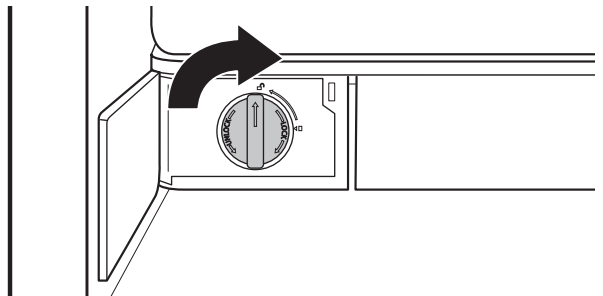
5. Instale la tapa del filtro de agua en el nuevo filtro. Asegúrese de alinear las flechas de modo que las ranuras del filtro se alineen con las costuras en la tapa del filtro.



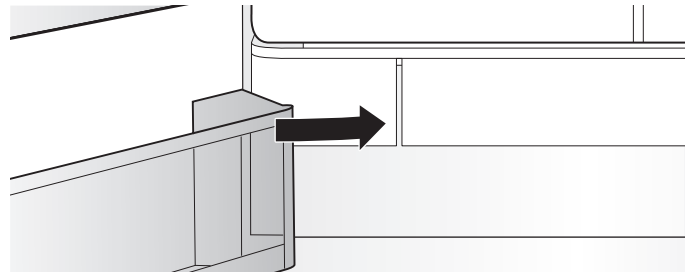
6. Inserte el filtro en el alojamiento.



7. Retuerza el filtro de agua y gire 90° en sentido horario hasta que se bloquee en su lugar y las flechas queden alineadas.



8. Empuje la puerta del filtro de agua para cerrarla.



### Luces de estado del filtro de agua

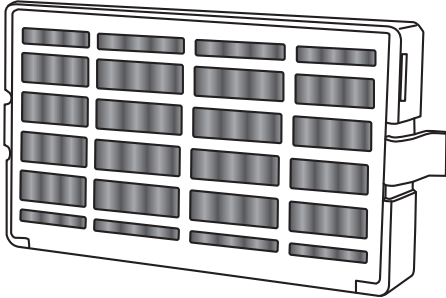
Las luces de estado del filtro de agua le ayudarán a saber cuándo cambiar el filtro de agua. La aplicación también le enviará avisos al dispositivo móvil y le informará el estado de la aplicación JennAir para la vida útil del filtro.

- **ORDER FILTER** (Pedir filtro) (amarilla): Es casi tiempo de cambiar el filtro de agua. La leyenda "Order Filter" (Pedir filtro) queda encendida todo el tiempo, pero se apaga en los modos Showroom (Sala de exposición) y Sabbath (Día de descanso).
- **REPLACE FILTER** (Reemplazar filtro) (rojo): Reemplace el filtro de agua. Mientras esté despachando agua, "Replace Filter" (Reemplazar filtro) parpadeará 7 veces y sonará un tono de alerta 3 veces.  
**NOTA:** "REPLACE FILTER" (Reemplazar filtro) permanecerá iluminada si no se restablece el filtro en la interfaz de usuario (IU).
- **RESET FILTER** (Restablecer filtro): Toque MAX COOL (Enfriamiento máximo) y MAX ICE (Hielo máximo) durante 3 segundos para restablecer el filtro de agua. La pantalla hará una cuenta regresiva de 3 segundos, el icono destellará y reproducirá un tono.

## Cómo instalar el filtro de aire FreshFlow™

Un filtro de aire es 15 veces más potente que el bicarbonato de sodio para reducir los olores comunes de los alimentos en el interior del refrigerador.

En algunos modelos, el paquete de accesorios del refrigerador incluye un filtro de aire que debe instalarse antes del uso.



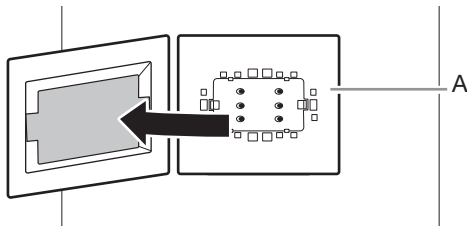
### Cómo instalar el filtro de aire FreshFlow™

Instale el filtro de aire detrás de la cubierta de ventilación, ubicada en la pared posterior, cerca del centro del refrigerador.

1. Retire el filtro de aire del embalaje.
2. Retire la cubierta plástica sobre la cubierta con ventilaciones.

**NOTA:** Al retirar la cubierta por primera vez, se deberá desechar una pequeña parte de espuma del tamaño del filtro.

3. Ajuste el filtro en su lugar y cierre la tapa.



A. Filtro de aire

### Cómo reemplazar el filtro de aire FreshFlow™

El filtro de aire desechable debe cambiarse cada 6 meses. Algunos filtros tienen un indicador de que se necesita el repuesto.

Para pedir un filtro de aire de repuesto, póngase en contacto con nosotros. Vea la sección "Accesorios" del Manual de uso y cuidado para obtener información sobre pedidos.

1. Abra la cubierta y apriete sobre las lengüetas laterales del filtro de aire usado para retirar el filtro.
2. Instale el nuevo filtro de aire según las instrucciones de las secciones anteriores.

## Cómo instalar el preservador de alimentos frescos (en algunos modelos)

El preservador de alimentos frescos absorbe el etileno para retrasar el proceso de maduración de muchos productos frescos. Como resultado, ciertos productos permanecerán frescos por más tiempo.

La producción de etileno y el grado de sensibilidad dependen del tipo de fruta o verdura. Para mantener la frescura, es mejor separar los productos sensibles al etileno de las frutas que producen cantidades moderadas a altas de etileno.

	Sensibilidad al etileno	Producción de etileno
Manzanas	Alta	Muy alta
Espárragos	Media	Muy baja
Bayas	Baja	Baja
Brócoli	Alta	Muy baja
Cantalupo	Media	Alta
Zanahorias	Baja	Muy baja
Frutos cítricos	Media	Muy baja
Uvas	Baja	Muy baja
Lechuga	Alta	Muy baja
Peras	Alta	Muy alta
Espinaca	Alta	Muy baja

### Instalación del preservador de alimentos frescos

Para su comodidad, el preservador de alimentos montado con ventosa puede instalarse en el cajón para verduras o en los cajones refrigerados.

#### CUIDADO: PRODUCTO IRRITANTE

PUEDA IRRITAR LOS OJOS Y LA PIEL. SE FORMAN GASES PELIGROSOS CUANDO SE MEZCLA CON OTROS PRODUCTOS.

No lo mezcle con productos de limpieza que contengan amoníaco, blanqueador o ácidos. No deje que entre en contacto con los ojos, la piel o la ropa. No respire el polvo. Manténgalo fuera del alcance de los niños.

**TRATAMIENTO DE PRIMEROS AUXILIOS:** Contiene permanganato de potasio. Si se ingiere el producto, llame inmediatamente a un Poison Control Center (Servicio de toxicología) o a un médico. No induzca al vómito. Si el producto se introduce en los ojos, enjuague con agua durante 15 minutos. Si entra en contacto con la piel, enjuague con agua.

1. Lave el interior del cajón con una solución de jabón para vajilla suave y agua tibia y seque completamente.
2. Busque el paquete que contiene el preservador de alimentos frescos dentro del refrigerador e instálelo en el cajón según las instrucciones que se proporcionan en el paquete.

### Cómo reemplazar el preservador de alimentos frescos

Los paquetes desechables se deberán reemplazar cada 6 meses o cuando el indicador de estado haya cambiado completamente de blanco a rojo.

Contáctese con nosotros para pedir repuestos. Vea la sección "Accesorios" para obtener información sobre pedidos.

1. Quite los paquetes usados del alojamiento del preservador de alimentos frescos.
2. Retire el indicador de estado usado.
3. Instale los paquetes de reemplazo y el nuevo indicador de estado según las instrucciones incluidas en el paquete.

## Accesorios

Los siguientes accesorios están disponibles para su refrigerador. Para pedir un accesorio, contáctenos y solicite el número de pieza.

En los EE.UU., visite nuestro sitio web [www.jennair.com/accessories](http://www.jennair.com/accessories) o llame al **1-800-JENNAIR (1-800-536-6247)**.

En Canadá, visite nuestra página web [www.jennair.ca](http://www.jennair.ca) o llame al **1-800-JENNAIR (1-800-536-6247)**.

**Limpiador de acero inoxidable affresh®:**  
En EE.UU., pida la pieza n.º W10355016  
En Canadá, pida la pieza n.º W10355016B

**Toallitas húmedas para acero inoxidable affresh®:**  
En EE.UU., pida la pieza n.º W10355049  
En Canadá, pida la pieza n.º W10355049B

**Limpiador para cocina y electrodomésticos affresh®:**  
En EE.UU., pida la pieza n.º W10355010  
En Canadá, pida la pieza n.º W10355010B

**Filtro de agua:**  
En EE.UU., pida la pieza n.º EDR2RXD1  
En Canadá, pida la pieza n.º EDR2RXD1B

**Filtro de aire:**  
Pida la pieza n.º W10311524 o AIR1.

**Kit básico de preservador de alimentos frescos:**  
Pida la pieza n.º P1KL6S1CS

**Kit de recarga de preservador de alimentos frescos:**  
Pida la pieza n.º P1KC6R1

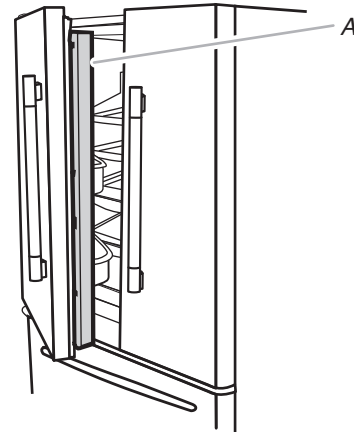
**Recipiente Herb Tender™:**  
Pida la pieza n.º W10882409

## USO DEL REFRIGERADOR

### Cómo abrir y cerrar las puertas

El refrigerador tiene 2 puertas de compartimientos. Las puertas pueden abrirse y cerrarse por separado o juntas. Hay una junta con bisagras vertical en la puerta izquierda del refrigerador.

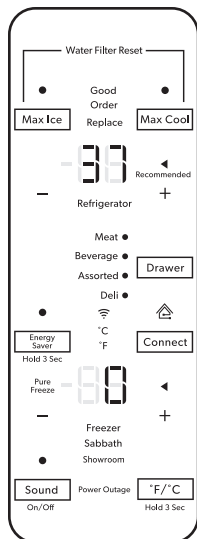
- Cuando se abre la puerta izquierda, la junta con bisagras se pliega automáticamente hacia adentro para quedar fuera del paso.
- Cuando ambas puertas están cerradas, la junta con bisagras forma automáticamente un sello entre las puertas francesas.



A. Junta con bisagras

## Uso de los controles

Los controles activados por toque están por encima del despachador externo del refrigerador y sobre el costado de la puerta interior del lado izquierdo del refrigerador.



### Cómo ver y regular los puntos de ajuste de temperatura

Para su comodidad, los controles de su refrigerador y congelador vienen prefijados de fábrica.

Cuando instale el refrigerador por primera vez, asegúrese de que los controles sigan fijados en los puntos de ajuste recomendados. Los puntos de ajuste recomendados de fábrica son 37 °F (3 °C) para el refrigerador y 0 °F (-18 °C) para el congelador.

#### IMPORTANTE:

- Espere 24 horas antes de colocar alimentos en el refrigerador. Si agrega alimentos antes de que el refrigerador se haya enfriado por completo, pueden echarse a perder.

**NOTA:** si los puntos de ajuste se regulan a un ajuste más frío que el recomendado, los compartimientos no se enfriarán más rápido.

- Si la temperatura está demasiado elevada o demasiado baja en el refrigerador o en el congelador, antes de regular los controles, revise primero los orificios de ventilación para cerciorarse de que no estén obstruidos.
- Los ajustes recomendados deben ser los correctos para un uso doméstico normal. Los controles están ajustados correctamente cuando la leche o los jugos están tan fríos como se desea y cuando el helado tiene consistencia firme.

**NOTA:** las áreas como un garaje, un sótano o un porche pueden tener mayor humedad o temperaturas extremas. Tal vez deba regular la temperatura a ajustes diferentes de los recomendados para adaptarse a estas condiciones.

- Espere por lo menos 24 horas entre ajustes. Vuelva a verificar las temperaturas antes de realizar otros ajustes.

### Cómo ver los puntos de ajuste de temperatura

1. Toque [+]/[-] para el refrigerador o [+]/[-] para el congelador y alterne a través de los puntos de ajuste de la temperatura.

**NOTA:** para ver la temperatura en grados Celsius, mantenga presionado el botón [°F/°C] durante 3 segundos y la pantalla de temperatura cambiará. Para volver a grados Fahrenheit, mantenga presionado [°F/°C] durante tres segundos y la pantalla de temperatura cambiará.

Para activar el modo Temperature (Temperatura) o para el cajón tipo despensa, toque DRAWER (Cajón) y alterne a través de 4 ajustes de temperatura opcionales: Meat (Carne), Beverage (Bebida), Assorted (Varios) y Deli (Delicatessen). La pantalla mostrará el punto de ajuste de temperatura del ajuste seleccionado para el cajón tipo despensa.

Temperatura recomendada del refrigerador



Temperatura recomendada del congelador



### Regule los puntos de ajuste de temperatura

Rango de puntos de ajuste del refrigerador: 33 °F a 45 °F (1 °C a 7 °C)

Rango de puntos de ajuste del congelador: -6 °F a 5 °F (-22 °C a -15 °C)

1. Toque [+]/[-] para ajustar la zona del refrigerador. La pantalla mostrará el punto de ajuste de temperatura del compartimiento seleccionado, como se muestra.
2. Cuando la temperatura esté en el rango de Pure Freeze®, la pantalla se iluminará. Pure Freeze® se activa en el punto de ajuste más frío del congelador.

Cuando regule los puntos de ajuste de la temperatura, utilice el siguiente cuadro como guía.

CONDICIÓN:	REGULACIÓN DE LA TEMPERATURA:
REFRIGERADOR demasiado frío	Ajuste del REFRIGERADOR 1° más alto
REFRIGERADOR demasiado caliente	Ajuste del REFRIGERADOR 1° más bajo
CONGELADOR demasiado frío	Ajuste del CONGELADOR 1° más alto
CONGELADOR demasiado caliente/muy poco hielo	Ajuste del CONGELADOR 1° más bajo

---

## Max Cool (Enfriamiento máximo)

---

La característica Max Cool (Enfriamiento máximo) ayuda en los períodos de alto uso del refrigerador, cargas completas de comestibles o temperaturas ambientales temporalmente elevadas.

- Para encender la característica Max Cool (Enfriamiento máximo), presione el botón Max Cool (Enfriamiento máximo). Cuando se presione el botón, el icono parpadeará 3 veces y aparecerá en la pantalla.
- Para apagar manualmente la característica Max Cool (Enfriamiento máximo), presione el botón Max Cool (Enfriamiento máximo) y la pantalla parpadeará 3 veces y se apagará. La característica de Enfriamiento máximo permanecerá encendida durante 24 horas a menos que se apague manualmente. Si se ajusta la temperatura del refrigerador, la característica Max Cool (Enfriamiento máximo) se apagará automáticamente.

**NOTA:** Si ajusta el congelador en una temperatura más baja, es posible que algunos alimentos, como el helado, queden más duros.

---

## Max Ice (Hielo máximo)

---

La característica Max Ice (Hielo máximo) ayuda a aumentar el enfriamiento en el compartimiento del congelador para aumentar la producción de hielo.

- Para encender la característica Max Ice (Hielo máximo), presione el botón Max Ice (Hielo máximo). Cuando se presione el botón para encender la característica, el icono parpadeará 3 veces y aparecerá en la pantalla.
- Para apagar manualmente la característica Max Ice (Hielo máximo), presione el botón Max Ice (Hielo máximo) y la pantalla parpadeará 3 veces y se apagará. La característica de hielo máximo permanecerá encendida durante 24 horas a menos que se apague manualmente. Si se ajusta la temperatura del refrigerador, la característica Max Ice (Hielo máximo) se apagará automáticamente.

**NOTA:** Si ajusta el congelador en una temperatura más baja, es posible que algunos alimentos, como el helado, queden más duros.

---

## Water Filter Reset (Restablecimiento del filtro de agua)

---

Muestra el estado del filtro de agua. Para restablecer el filtro, presione MAX ICE (Hielo máximo) y MAX COOL (Enfriamiento máximo) durante 3 segundos. Después de la cuenta regresiva, el icono de correcto parpadeará 3 veces y quedará iluminado.

**NOTA:** Las luces de estado del filtro de agua en los controles internos le indicarán cuándo debe cambiar el filtro de agua.

- ORDER FILTER (Pedir filtro) (amarilla): Pida un filtro de agua de reemplazo.
- REPLACE FILTER (Reemplazar filtro) (rojo): Reemplace el filtro de agua. Cuando está despachando agua, el icono de "Replace Filter" (Reemplazar filtro) parpadea constantemente desde el comienzo hasta el final del despacho. Después de 14 días sin cambiar el filtro de agua, el icono de "Replace Filter" (Reemplazar filtro) parpadeará siete veces y sonará una alerta tres veces, al final del despacho. Vea la sección "Sistema de filtración de agua".

**NOTA:** REPLACE FILTER (Reemplazar filtro) permanecerá iluminada si no se restablece un filtro.

- RESET FILTER (Restablecer filtro): Toque simultáneamente MAX ICE (Hielo máximo) y MAX COOL (Enfriamiento máximo) en la pantalla de control de temperatura durante 3 segundos para restablecer el filtro de agua. La pantalla hará una cuenta regresiva de 3 segundos, el icono destellará y reproducirá un tono.

### Estado del filtro

La aplicación JennAir enviará una alerta que muestra el estado del filtro de agua.

---

## Energy Save Mode (Modo de ahorro de energía)

---

Una característica seleccionable que apaga los calentadores alrededor de las puertas y el despachador del refrigerador. Cuando esta característica está activada, puede formarse condensación al frente del gabinete del refrigerador, en la junta o en la parte superior del cajón del congelador. El ahorro puede variar según la humedad relativa del ambiente.

- Para apagar el calentador del montante, mantenga presionado el botón Energy Saver (Ahorro de energía) durante tres segundos. El icono de ahorro de energía parpadeará 3 veces y, después, permanecerá encendido, como se muestra.

**IMPORTANTE:** Cuando el ahorro de energía está activado y el LED está encendido, el calentador del despachador y el calentador del montante vertical están apagados.

- Mantenga presionado ENERGY SAVER (Ahorro de energía) durante 3 segundos para volver a encender los calentadores.

---

## Modo Pure Freeze®

---

Esta característica minimiza la migración de humedad desde los alimentos congelados. A su vez, esto reduce los casos de quemaduras de alimentos en el congelador.

Para encender el modo Pure Freeze®, alterne hasta el punto de ajuste de temperatura más frío del congelador.

Para apagar el modo Pure Freeze®, alterne desde el punto de ajuste de temperatura más frío del congelador hasta cualquier otra temperatura.

---

## Sound On/Off (Sonido encendido/apagado)

---

El botón Sound (Sonido) permite que el cliente encienda y apague el sonido.

- Para encender la característica Sound (Sonido), presione el botón Sound (Sonido). Cuando presiona el botón, el icono de sonido parpadea tres veces y aparece en la pantalla.
- Para apagar manualmente la característica Sound (Sonido), presione el botón Sound (Sonido) y la pantalla parpadeará 3 veces y se apagará.

---

## Power Outage (Corte de energía)

---

El indicador Power Outage (Corte de energía) permite saber si se ha interrumpido el suministro de energía al refrigerador y si la temperatura del congelador ha aumentado.

La pantalla del panel de control mostrará la leyenda "Power Outage" (Corte de energía) y sonará un tono de alerta 3 veces. Toque cualquier botón para detener el tono y toque nuevamente cualquier botón para apagar el icono de corte de energía.

Cuando se haya confirmado el corte de energía, la leyenda "Power Outage" (Corte de energía) desaparecerá y volverá a aparecer en la pantalla principal.

---

## Modo Showroom (Sala de exposición)

---

Este modo se utiliza cuando el refrigerador está en exhibición en la tienda minorista o si desea apagar el enfriamiento y desactivar todas las demás funciones, excepto la iluminación interior. El modo de Sala de exposición se puede usar cuando sale de vacaciones. Consulte la sección "Cuidado en las vacaciones y en traslados" para conocer los pasos adecuados cuando deja su refrigerador en este modo por largos períodos de tiempo.

Si se activa el modo de sala de exposición, se iluminará "Showroom" (Sala de exposición) en la pantalla. Para ingresar o salir del modo de Sala de exposición, mantenga presionados simultáneamente °F/°C y DRAWER (Cajón) durante tres segundos.

**NOTA:** Vacíe la fábrica de hielos si el refrigerador estará apagado por un período largo de tiempo.

## Modo Sabbath (Día de descanso)

Permite abrir o cerrar la puerta del refrigerador o congelador durante el Sabbath u otras celebraciones religiosas sin activar las luces o controles interiores.

Los puntos de ajuste del usuario del congelador y el refrigerador permanecen sin cambios en este modo. Si se activa accidentalmente el modo de día de descanso, se iluminará "Sabbath" (Día de descanso) en la pantalla. Para ingresar o salir del modo de día de descanso, mantenga presionados simultáneamente °F/°C y SOUND (Sonido) durante 3 segundos.

**NOTA:** no se podrá despachar ni cambiar ajustes de temperatura en el modo Sabbath (modo de día de descanso). La iluminación interior y los paneles de control estarán inactivos en el modo Sabbath.

## Controles del despachador externo

El control está por encima del despachador externo del refrigerador.



**IMPORTANTE:** La pantalla en el panel de control del despachador se apagará automáticamente e ingresará al modo de "suspensión" cuando los botones del control y las paletas del despachador no se hayan utilizado durante 2 minutos o más. Toque cualquier botón del control para reactivar la pantalla. La pantalla principal aparecerá como se muestra.

## Características adicionales

### Alarma de puerta entreabierta

La característica Door Ajar Alarm (Alarma de puerta entreabierta) hace sonar una alarma cuando las puertas del refrigerador o el cajón del congelador permanecen abiertos durante 5 minutos y está funcionando el enfriamiento. La alarma se repetirá cada 2 minutos. Cierre todas las puertas y el cajón para apagarla.

**NOTA:** Para silenciar la alarma audible mientras mantiene las puertas abiertas, por ejemplo mientras se limpia el interior del refrigerador, toque cualquier botón en el panel de control. El sonido de la alarma estará apagado temporalmente, pero el icono de Door Ajar (Puerta entreabierta) seguirá visible en la pantalla del panel de control del despachador.

## Iluminación del refrigerador

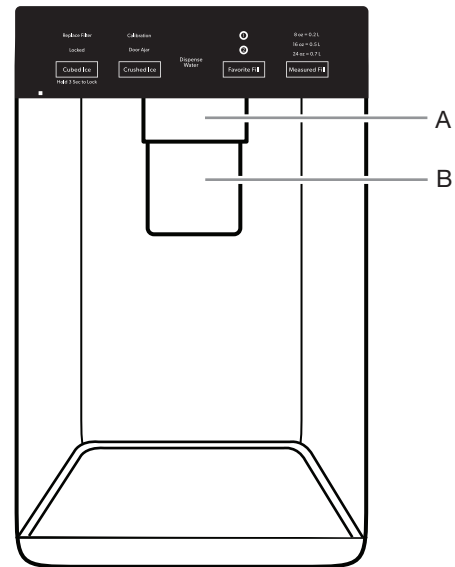
El refrigerador tiene una luz interior que se enciende cada vez que se abre la puerta.

**NOTA:** la luz es un LED que no necesita cambiar. si el LED no se ilumina cuando se abre la puerta, llame al servicio técnico para que reemplacen la luz; vea "Asistencia o servicio" en la sección "Garantía" para obtener información de contacto.

## Despachadores de agua y de hielo

### IMPORTANTE:

- Espere 3 horas para que el refrigerador se enfríe y pueda enfriar el agua.
- Espere 24 horas para la producción del primer lote de hielo. Deseche de los tres primeros lotes de hielo producidos.
- El sistema despachador no funcionará cuando la puerta del lado izquierdo del refrigerador esté abierta.



A. Paleta del despachador de agua  
B. Paleta del despachador de hielo

## Enjuague del sistema de agua

El aire en el sistema de despacho de agua puede hacer que gotee agua del despachador. Después de haber conectado el refrigerador a un suministro de agua o de haber reemplazado el filtro de agua, enjuague el sistema de agua.

Al enjuagar el sistema de despacho de agua, se extrae el aire de la línea de agua y del filtro y se prepara el filtro de agua para el uso. En algunas casas se puede requerir un enjuague adicional.

**NOTA:** a medida que sale aire del sistema, es posible que salgan chorros de agua repentinos del despachador.

1. Con un recipiente resistente, mantenga presionada la paleta del despachador de agua durante 5 segundos.
2. Suelte la paleta del despachador durante 5 segundos. Repita los pasos 1 y 2 hasta que comience a salir agua.
3. Una vez que el agua comience a correr, siga presionando y soltando la paleta del despachador (5 segundos activado, 5 segundos desactivado) hasta despachar un total de 3 gal (12 l).

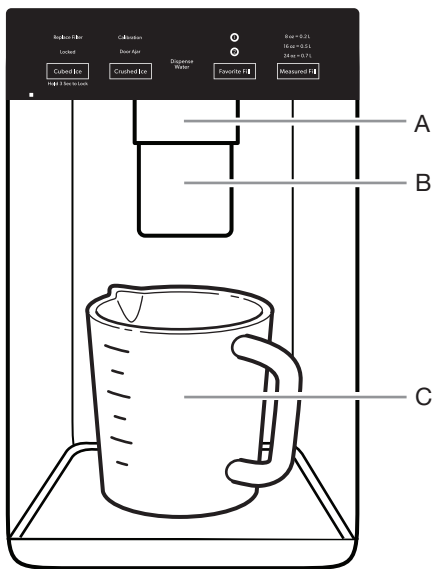
## Cómo calibrar el llenado medido

La presión del agua de la casa puede afectar la exactitud de la característica Measured Fill (Llenado medido). Por lo tanto, para el rendimiento óptimo del despachador de agua, primero se debe calibrar Measured Fill (Llenado medido).

### IMPORTANTE:

- Enjuague el sistema de agua antes de calibrar Measured Fill (Llenado medido).
  - Para obtener resultados óptimos, la calibración debe realizarse cuando no se esté utilizando agua en la casa.
1. Coloque una taza medidora resistente (tamaño de una taza [237 mL]) sobre la bandeja del despachador, centrada delante de la paleta del despachador de hielo/agua.

**NOTA:** Según el modelo, es posible que se suministre una taza medidora.



A. Paleta del despachador de agua  
B. Paleta del despachador de hielo  
C. Taza medidora (1 taza)

Asegúrese de que no haya seleccionado un ajuste previo de Measured Fill (Llenado medido).

2. Mantenga presionado el botón Measured Fill (Llenado medido) durante 3 segundos para ingresar al modo de calibración. Los iconos de calibración y de llenado medido permanecerán iluminados mientras se esté calibrando la característica de Measured Fill (Llenado medido).

**NOTA:** puede tocar MEASURED FILL (Llenado medido) para salir del modo de calibración en cualquier momento; los iconos de calibración y de llenado medido desaparecerán.

3. Mantenga presionada la paleta del despachador de agua, según sea necesario, para despachar agua hasta la línea de llenado de 1 taza en la taza medidora.

**NOTA:** si se llena en exceso o se derrama, deseche el agua y reinicie el proceso de calibración.

4. Cuando se haya despachado correctamente 1 taza de agua en la taza medidora, toque MEASURED FILL (Llenado medido) para confirmar la calibración.
5. Cuando se haya confirmado la calibración del llenado medido, el icono de calibración desaparecerá y volverá a aparecer la pantalla principal.

## Cómo guardar el ajuste de llenado favorito

La presión del agua de la casa puede afectar la exactitud de la característica Favorite Fill (Llenado favorito). Por lo tanto, para el rendimiento óptimo del despachador de agua, primero se debe calibrar Measured Fill (Llenado medido).

### IMPORTANTE:

- Enjuague el sistema de agua antes de guardar Favorite Fill (Llenado favorito).
  - Para obtener resultados óptimos, la calibración debe realizarse cuando no se esté utilizando agua en la casa.
1. Coloque una taza del tamaño que desee sobre la bandeja del depósito, centrada frente a la paleta del despachador de hielo/agua.

2. Seleccione Favorite 1 (Favorito 1) o Favorite 2 (Favorito 2) y, después, mantenga presionado el botón Favorite Fill (Llenado favorito) durante tres segundos para ingresar al modo de ahorro. El icono de Favorite Fill (Llenado favorito) se encenderá y permanecerá encendido mientras esté guardando la característica Favorite Fill (Llenado favorito).

**NOTA:** Puede tocar FAVORITE FILL (Llenado favorito) para salir en cualquier momento del modo de ahorro y la pantalla volverá a la pantalla de inicio.

3. Mantenga presionada la paleta del despachador de agua, según sea necesario, para despachar agua a la taza del tamaño de su preferencia.

**NOTA:** si se llena en exceso o se produce un derrame, deseche el agua y reinicie el proceso de guardado.

4. Cuando se haya despachado correctamente la cantidad de agua preferida en la taza, toque el botón Favorite Fill (Llenado favorito) para confirmar la cantidad favorita.
5. Cuando se haya confirmado la cantidad del llenado favorito, volverá a aparecer la pantalla principal.

## Despacho

Toque CUBED ICE (Hielo en cubos) o CRUSHED ICE (Hielo picado) para seleccionar el hielo.

### NOTAS:

- Para obtener hielo picado, los cubos de hielo se trituran antes de despacharse. Esto puede retrasar un poco la distribución del hielo picado. El ruido proveniente del triturador de hielo es normal y los trozos de hielo pueden variar en tamaño.
- Cuando cambie de la posición de hielo picado a cubos, caerá un poco de hielo picado junto con los primeros cubos.



## Despacho de agua

### IMPORTANTE:

- Despache por lo menos 1 cuarto de galón (1 L) de agua cada semana para mantener un suministro fresco.
- Si disminuye el flujo de agua del despachador, podría deberse a una presión baja de agua.
  - Retire el filtro de agua y despache 1 taza (237 mL) de agua. Si se despacha 1 taza (237 mL) de agua en 8 segundos o menos, la presión de agua al refrigerador cumple con el requisito mínimo.
  - Si el despacho de 1 taza (237 mL) de agua demora más de 8 segundos, significa que la presión de agua al refrigerador es más baja que lo recomendado. Vea “Requisitos del suministro de agua” y “Solución de problemas” para buscar sugerencias.

### Para despachar agua, estándar:

1. Presione con un vaso resistente contra la paleta del despachador de agua.
2. Retire el vaso para detener la salida de hielo.

**NOTA:** El botón Dispense Water (Despachar agua) no activa el despacho estándar. Si solo funciona en el modo Measured Fill (Llenado medido) o Favorite Fill (Llenado favorito).

### Para despachar agua, llenado medido:

La característica Measured Fill (Llenado medido) le permite despachar una cantidad de agua determinada con solo tocar unos botones.

1. Coloque un vaso resistente debajo el pico de agua. Toque MEASURED FILL (Llenado medido) para activar la característica.

**NOTA:** Se distribuirá la cantidad de agua que usted ha seleccionado. asegúrese de que el recipiente pueda contener todo el volumen; si hay hielo en el recipiente, es posible que deba ajustar su selección.
2. Toque MEASURED FILL (Llenado medido) para activarlo y, después, toque para seleccionar 8 oz (0,2 L), 16 oz (0,5 L) o 24 oz (0,7 L). Toque por cuarta vez para salir de la pantalla Measured Fill (Llenado medido).
3. Toque DISPENSE WATER (Despacho de agua) (botón del centro) o presione la paleta y se despachará la cantidad de agua seleccionada.

### NOTAS:

- El despachador de llenado medido agotará el tiempo automáticamente después de 1 minuto de inactividad.
- Para recargar varios vasos con la misma medida, siga tocando DISPENSE WATER (Despacho de agua) (botón del centro) después de llenar cada vaso.

Las opciones de llenado medido se enumeran en el cuadro siguiente:

Unidades			
Onzas	8	16	24
Tazas	1	2	3
Litros	0.2	0.5	0.7

**NOTA:** La mayoría de las tazas de café (generalmente de 4 a 6 oz [118 a 177 mL] por taza) no tiene el mismo tamaño que una taza medidora (8 oz [237 mL]). Es posible que se deba ajustar el llenado medido para llenar menos o para evitar el derrame accidental de las tazas de café.

4. Despache agua.

**NOTA:** mientras se despacha agua, el flujo se detendrá automáticamente una vez que el volumen deseado haya salido.

- Presione con un vaso resistente contra la paleta del despachador debajo del pico de agua.

### O BIEN

- Coloque el vaso debajo del pico de agua y toque DISPENSE WATER (Despacho de agua) para despachar sin usar las manos.
5. Para hacer una pausa en el despacho antes de que se haya despachado el volumen seleccionado, toque DISPENSE WATER (Despacho de agua) por segunda vez o toque la paleta del despachador de agua. Toque DISPENSE WATER (Despacho de agua) o la paleta nuevamente para reanudar el despacho de la cantidad restante.

**NOTA:** si detiene el despacho antes de que se haya despachado el volumen seleccionado, la pantalla se apagará después de 1 minuto; Si no ha reanudado en este tiempo, se restablecerá a la cantidad original.
  6. Para seleccionar un nuevo volumen o para comenzar a despachar nuevamente el mismo volumen, primero se debe terminar de despachar el volumen seleccionado o desactivar la característica de llenado medido (espere 1 minuto para que se desactive automáticamente o presione CUBED ICE (Hielo en cubos) o CRUSHED ICE (Hielo picado) para desactivarla manualmente) y, después, se debe seleccionar nuevamente Measured Fill (Llenado medido).

### Para despachar agua, llenado favorito:

La característica Favorite Fill (Llenado favorito) le permite despachar la cantidad de agua que prefiera con el toque de unos pocos botones.

1. Coloque un vaso resistente debajo el pico de agua. Toque FAVORITE FILL (Llenado favorito) para activar la característica.

**NOTA:** Se distribuirá la cantidad de agua que usted ha seleccionado. asegúrese de que el recipiente pueda contener todo el volumen; si hay hielo en el recipiente, es posible que deba ajustar su selección.
2. Toque FAVORITE FILL (Llenado favorito) para activarlo y, después, toque para seleccionar Favorite 1 (Favorito 1) o Favorite 2 (Favorito 2). Toque por tercera vez para salir de la pantalla Favorite Fill (Llenado favorito).
3. Toque DISPENSE WATER (Despacho de agua) (botón del centro) y se despachará la cantidad de agua seleccionada.

### NOTAS:

- El despachador de llenado favorito agotará el tiempo automáticamente después de 1 minuto de inactividad.
  - Para recargar varios vasos con la misma medida, siga tocando DISPENSE WATER (Despacho de agua) (botón del centro) después de llenar cada vaso.
4. Despache agua.

**NOTA:** mientras se despacha agua, el flujo se detendrá automáticamente una vez que el volumen deseado haya salido.

- Presione con un vaso resistente contra la paleta del despachador debajo del pico de agua.

### O BIEN

- Coloque el vaso debajo del pico de agua y toque DISPENSE WATER (Despacho de agua) para despachar sin usar las manos.
5. Para hacer una pausa en el despacho antes de que se haya despachado el volumen seleccionado, toque DISPENSE WATER (Despacho de agua) por segunda vez o toque la paleta del despachador de agua. Toque DISPENSE WATER (Despacho de agua) o la paleta nuevamente para reanudar el despacho de la cantidad restante.

**NOTA:** si detiene el despacho antes de que se haya despachado el volumen seleccionado, la pantalla se apagará después de 1 minuto; Si no ha reanudado en este tiempo, se restablecerá a la cantidad original.

6. Para seleccionar un nuevo volumen o para comenzar a despachar nuevamente el mismo volumen, primero se debe terminar de despachar el volumen seleccionado o desactivar la característica de llenado favorito (espere 1 minuto para que se desactive automáticamente o toque CUBED ICE (Hielo en cubos) o CRUSHED ICE (Hielo picado) para desactivarla manualmente) y, después, se debe seleccionar nuevamente Favorite Fill (Llenado favorito).

## El despachador de hielo

### IMPORTANTE:

- Si los cubos de hielo están huecos o tienen una forma irregular, podría deberse a una baja presión de agua. Vea la sección "Requisitos de suministro de agua".
- El hielo pasa del depósito de hielo a través del conducto del despachador al despachador. Para apagar la fábrica de hielo, consulte la sección "Fábrica de hielo y depósito de almacenamiento".
- Es posible que el despachador siga haciendo ruido y despachando hielo durante varios segundos después de soltar el botón o la paleta del despachador.

### Para limpiar el conducto de distribución de hielo:

La humedad hace que el hielo se aglutine naturalmente. Las partículas de hielo pueden acumularse hasta que el conducto de distribución de hielo se bloquee.

Si no se despacha hielo con regularidad, tal vez sea necesario vaciar el depósito de hielo y limpiar el conducto de distribución de hielo, el depósito de hielo y el área debajo del depósito de hielo cada 2 semanas.

- Si es necesario, quite el hielo atascado en el depósito y en el conducto de salida de hielo con un utensilio plástico.
- Limpie el conducto de salida de hielo y la base del depósito de hielo con un paño humedecido con agua tibia y, después, seque meticulosamente.

### Para dispensar hielo - Paleta dispensadora

1. Para seleccionar el tipo de hielo deseado, presione CUBED ICE (Hielo en cubos) o CRUSHED ICE (Hielo picado).

## ⚠ ADVERTENCIA



### Peligro de Cortaduras

Use un vaso resistente para recibir hielo del despachador.

No seguir esta instrucción puede ocasionar cortaduras.

2. Presione con un vaso resistente contra la paleta del despachador. Sostenga el vaso junto a la abertura del despachador para que el hielo no caiga fuera del vaso.

**IMPORTANTE:** No es necesario aplicar mucha presión a la paleta para activar el despachador de hielo. Presionar mucho no acelerará el despachador ni hará que produzca mayor cantidad de hielo.

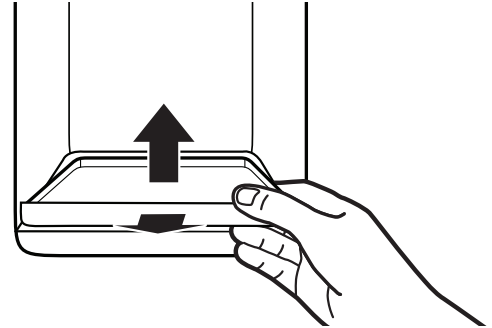
3. Retire el vaso para detener la salida de hielo.

**NOTA:** el hielo puede seguir saliendo durante varios segundos después de haber retirado el vaso de la paleta; el despachador puede continuar haciendo ruido durante algunos segundos después de haber despachado.

## Bandeja de goteo del despachador

La bandeja de goteo puede retirarse para llevarla al fregadero con el fin de vaciarla o limpiarla.

- Levante el borde delantero de la bandeja y júela hacia adelante para retirarla.
- La bandeja de goteo también se puede deslizar hacia afuera para asistir durante la función Measured/Favorite Fill (Llenado medido/favorito).



## Luz del despachador

1. Cuando utilice el despachador, la luz se encenderá automáticamente.
2. La luz del despachador también sirve como luz automática nocturna: una vez que se reduce la luz ambiental, el sensor automático hará que la luz del despachador se ilumine.

## Bloqueo del despachador

El despachador puede trabarse para facilitar la limpieza o para evitar que sea activado accidentalmente por niños pequeños o animales domésticos.

**NOTA:** La función de bloqueo no apaga el refrigerador o la luz del despachador. Solo desactiva los controles y la palanca del despachador. Para apagar la fábrica de hielo, consulte la sección "Fábrica de hielo y depósito de almacenamiento".

- Mantenga presionado CUBED ICE (Cubos de hielo) durante 3 segundos para bloquear el despachador.
- Mantenga presionado CUBED ICE (Cubos de hielo) durante 3 segundos para desbloquear el despachador.
- La pantalla indica cuando el despachador está bloqueado.

## Fábrica de hielo y depósito de almacenamiento

**IMPORTANTE:** Para evitar una baja producción de hielo y hielo de calidad deficiente, enjuague el sistema de agua antes de encender la fábrica de hielo. Vea la sección "Despachador de agua".

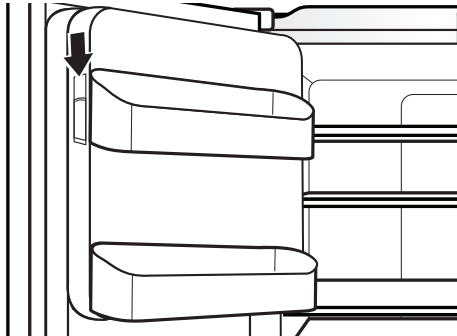
- Luego de la instalación, espere 24 horas para la producción del primer lote de hielo. Deseche de los tres primeros lotes de hielo producidos. Espere 2 a 3 días para volver a llenar el depósito de hielo.
- La calidad del hielo dependerá de la calidad del agua que suministre a su fábrica de hielo. Evite la conexión de la fábrica de hielo a un suministro de agua ablandada. Las sustancias químicas utilizadas para ablandar el agua (como la sal) pueden dañar componentes de la fábrica de hielo y producir hielo de calidad deficiente. Si no se puede evitar el uso de un suministro de agua ablandada, asegúrese de que el ablandador de agua esté funcionando correctamente y reciba un buen mantenimiento.
- Si el hielo se aglomera en el depósito, rómpalo con un utensilio plástico y deséchelo. No use ningún instrumento afilado para romper el hielo, ya que puede dañar el depósito y el mecanismo de despacho.
- No guarde nada dentro del depósito de hielo.

## Estilo 1: Fábrica de hielo en el refrigerador

La fábrica de hielo está en la puerta izquierda detrás de los depósitos. Los cubos de hielo se expulsan dentro del depósito de hielo que está en la puerta del lado izquierdo del refrigerador.

### Para encender y apagar la fábrica de hielo

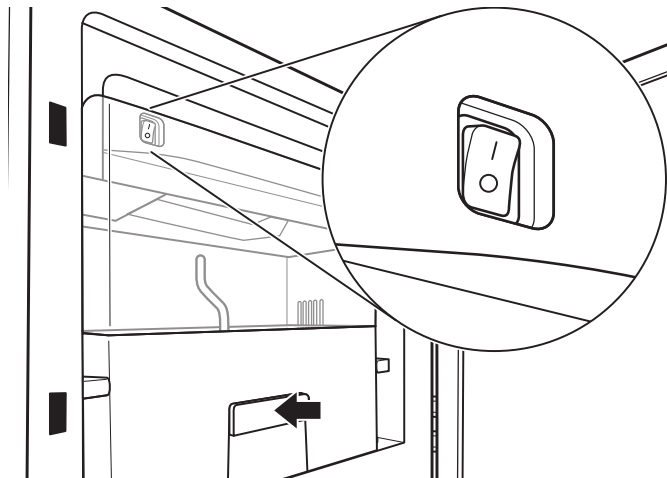
1. Empuje el seguro del lado izquierdo del compartimiento de hielo para abrir la puerta.



2. Encienda la fábrica de hielo al mover el interruptor hacia la posición Encendido (I).

#### NOTAS:

- Para apagar manualmente la fábrica de hielo, retire el control de la posición Apagado (O).
- La fábrica de hielo tiene una función de apagado automático. El sensor detendrá automáticamente la producción de hielo si el depósito de hielo está lleno, si se abre la puerta o si se quita el depósito de hielo. El control continuará en la posición Encendido (arriba).



3. Cierre la puerta del compartimiento de hielo.

### Para retirar y volver a colocar el depósito de hielo

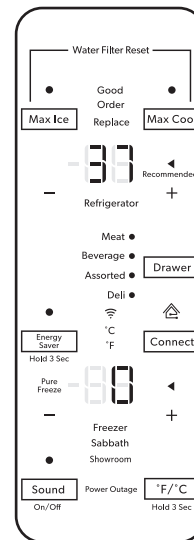
- Para retirar el depósito de hielo, inserte los dedos dentro del orificio en la base del depósito y tire del seguro para liberar el depósito del compartimiento. Levante el depósito de hielo y jálalo directamente hacia afuera.
- Vuelva a colocar el depósito dentro del compartimiento de hielo y empújelo hacia abajo para asegurarse de que esté seguro en su lugar.

## Velocidad de producción de hielo

- La fábrica de hielo debe producir aproximadamente 3.2 lb (1,5 kg) de hielo por día con un funcionamiento normal.
- Para aumentar la producción de hielo, seleccione la función “Max Ice” (Hielo máximo) en el panel de control. La fábrica de hielo debe producir aproximadamente 4,2 lb (1,9 kg) de hielo por día. Vea la sección “Uso de los controles”.

## Estilo 2: Fábrica de hielo en el congelador (en algunos modelos)

### Para encender y apagar la fábrica de hielo



Para encender la fábrica de hielo, toque Max Ice (Hielo máximo) en la pantalla del panel interior de la puerta izquierda. El icono parpadeará tres veces y se mantendrá encendido en la pantalla.

Para apagar la fábrica de hielo manualmente, toque Max Ice (Hielo máximo). La pantalla parpadeará tres veces y se apagará.

#### NOTAS:

- La fábrica de hielo tiene una función de apagado automático. El sensor detendrá automáticamente la producción de hielo si el depósito de hielo está lleno o si se abre la puerta. El control permanecerá en la posición de Encendido.
- Apague la fábrica de hielo antes de quitar el depósito de hielo para limpiarlo o para servir hielo. Esto evitará que los cubos de hielo caigan fuera de la fábrica de hielo hacia el compartimiento del congelador. Encienda la fábrica de hielo después de volver a colocar el depósito de hielo.

## Velocidad de producción de hielo

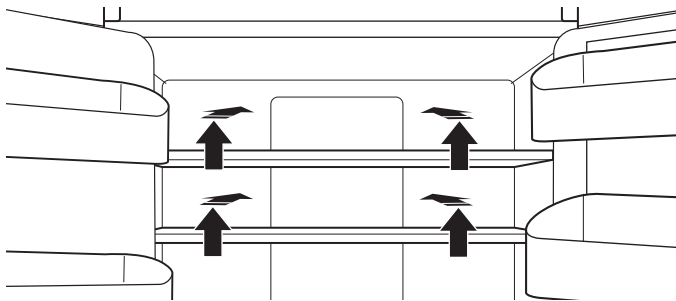
- La fábrica de hielo debe producir aproximadamente 3.5 lb (1,6 kg) de hielo por día con un funcionamiento normal.
- Para aumentar la producción de hielo, seleccione la función “Max Ice” (Hielo máximo) en el panel de control. La fábrica de hielo debe producir aproximadamente 4,6 lb (2,1 kg) de hielo por día. Vea la sección “Uso de los controles”.

## Estantes, depósitos y cajones

### Estante de vidrio plegable

Algunos estantes se pueden apartar para crear espacio para objetos más altos. Algunos modelos tienen dos estantes de vidrio plegables.

1. Para retraer la sección delantera del estante, empuje la porción ajustable del estante hacia la parte trasera del refrigerador tanto como sea necesario.
2. Para extender el vidrio delantero y el borde delantero del estante, jale la porción replegada hacia fuera hasta que quede extendida por completo.

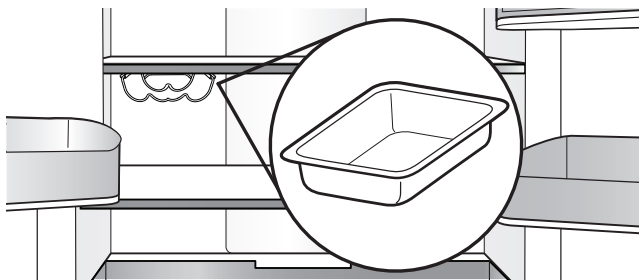


### Bandeja y/o portabotellas para vino

Debajo de un estante hay escuadras instaladas en los soportes (una escuadra en cada soporte). El portabotellas o la bandeja se apoya sobre esas escuadras. El portabotellas sostiene 2 botellas sin ocupar espacio de los estantes.

#### Para retirar y volver a colocar el portabotellas:

1. Para extraer el portabotellas/la bandeja, levante y retire de las escuadras. Presione el lado derecho de la bandeja hacia adentro hasta que se libere de su escuadra. Descienda el lado derecho ligeramente y desenganche el lado izquierdo de su escuadra.
2. Para volver a colocar el portabotellas/la bandeja, inserte el lado izquierdo en su escuadra. Presione hacia adentro sobre el lado derecho hasta que se deslice más allá del borde de la escuadra y se instale dentro de la escuadra.



#### Información importante para saber acerca de los estantes y tapas de vidrio:

No limpie los estantes y tapas de vidrio con agua caliente mientras están fríos. Los estantes y tapas pueden romperse si se exponen a cambios bruscos de temperatura o impacto, como sería un golpe brusco. El vidrio templado se ha diseñado para hacerse añicos. Esto es normal. Los estantes y tapas de vidrio son muy pesados. Use ambas manos al sacarlos para evitar que se caigan.

### Estantes y marcos de los estantes

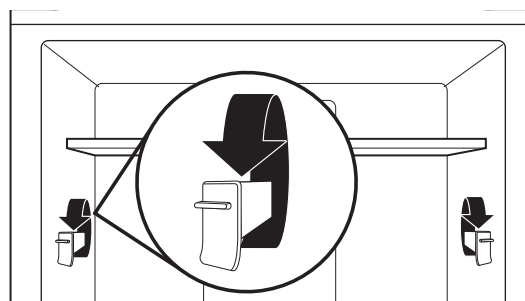
Los estantes del refrigerador son ajustables para adaptarlos a las necesidades de almacenamiento individuales.

Si se guardan alimentos similares juntos en el refrigerador y se ajustan los estantes para que se adapten a las diferentes alturas de los artículos, será más fácil encontrar exactamente el artículo que se desea. Asimismo, se reducirá el tiempo que la puerta del refrigerador permanece abierta y se ahorrará energía.

#### Ajuste de la altura de los estantes

Para ajustar la altura de los estantes se pueden cambiar los montajes ajustables de los estantes entre las posiciones vertical y horizontal.

1. Levante con cuidado el estante fuera de los montantes y gire la aleta a la orientación deseada.
2. Repita con los montantes de estante restantes.
3. Aplique presión a la parte superior del estante para asegurarse de que esté debidamente asentado sobre los montantes.



#### Para retirar y volver a colocar los estantes:

1. Asegúrese de que los montajes de los estantes ajustables estén en la posición más baja antes de quitar estantes. Además, las puertas deberán estar abiertas a un ángulo de 90°. Si se abren más, será más difícil quitar los estantes.
2. Para quitar el estante del medio o el superior, levántelo y retírelo de los soportes; después, tire del estante hacia adelante e inclínelo hacia abajo hasta una posición vertical. Gire el estante en un ángulo y retírelo del refrigerador.

#### NOTAS:

- Se deberá quitar el estante del medio primero antes de quitar el superior.
  - Los estantes de vidrio deslizantes Infinity se deben empujar nuevamente hacia adentro. Cuando estén inclinados hacia arriba, asegúrese de que el vidrio no se deslice hacia adelante.
3. Para quitar el estante inferior, levántelo y retírelo de los soportes; después, tire del estante hacia adelante e inclínelo hacia arriba hasta una posición vertical. Gire el estante en un ángulo y retírelo del refrigerador.
  4. Para volver a colocar los estantes medio y superior, coloque los estantes en el refrigerador en un ángulo con el frente del estante hacia abajo. Levante el frente del estante hacia arriba y hacia adentro hasta el estante trasero caiga dentro de los soportes. Baje el frente del estante y verifique que esté firme en su lugar.
  5. Para volver a colocar el estante inferior, coloque el estante en el refrigerador en un ángulo con el estante hacia arriba. Levante el frente del estante hacia abajo y hacia adentro hasta el estante trasero caiga dentro de los soportes. Baje el frente del estante y verifique que esté firme en su lugar.

#### Estantes con iluminación debajo del estante (en algunos modelos)

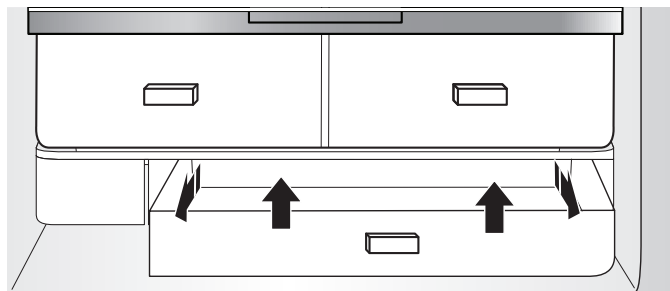
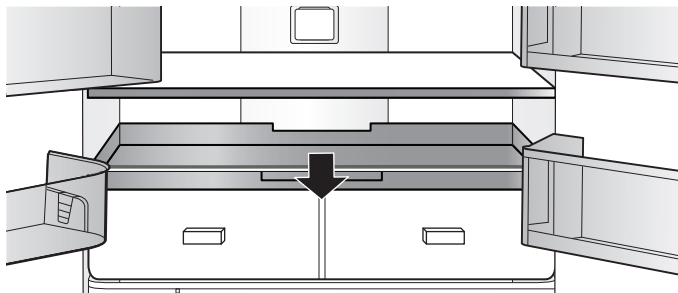
Al desplazar las luces LED a una nueva ubicación debajo de los estantes, esta tecnología de punta mejora la iluminación del interior del refrigerador y ayuda a encontrar los artículos almacenados.

## Plato extraíble

### Para retirar y volver a colocar el receptáculo para fuentes:

**NOTA:** Se deberán quitar las puertas del refrigerador para retirar el receptáculo para fuentes. Vea la sección “Cómo retirar y volver a colocar las puertas del refrigerador” para obtener más información.

1. Tire del receptáculo para fuentes hasta la posición completamente abierta o hasta que se detenga.
2. Localice los broches de retención del receptáculo para fuentes en ambos lados. Se encuentran en el costado debajo del receptáculo para fuentes.
3. Empuje el broche hacia arriba desde la parte inferior con el dedo.
4. Una vez que destrabe ambos broches, retire con cuidado el receptáculo para fuentes hacia el frente del refrigerador.



### Para volver a colocar la cubierta del cajón (o cajones) para verduras:

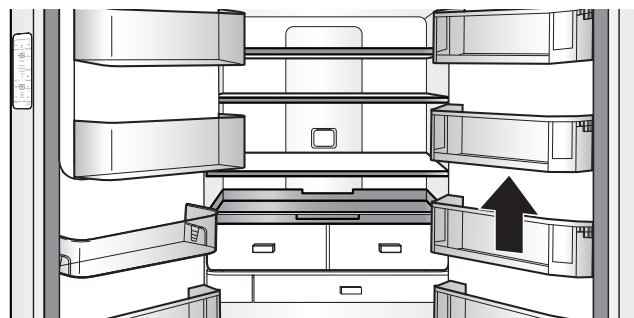
1. Retire la bandeja del cajón para verduras, el receptáculo para fuentes y el vidrio del cajón para verduras antes de retirar el cajón para verduras.
2. Calce la parte trasera del marco de la tapa en los soportes de las paredes laterales del refrigerador y baje la parte delantera del marco de la tapa hasta su lugar.
3. Deslice la parte posterior de la pieza de vidrio en el marco de la tapa y baje el frente a su lugar.

## Cajones de la puerta del refrigerador

Los cajones de la puerta del refrigerador son ajustables para adaptarlos a las necesidades de almacenamiento individuales. Las canastas de un galón de capacidad hacen que sea más fácil configurar a la medida el almacenamiento de la puerta para mantener contenedores de un galón.

### Divisor de cajones de la puerta (en algunos modelos)

Este divisor encaja en el cajón de la puerta para dividirlo y para elevar los artículos más pequeños en la parte trasera del cajón.



## Cajones para verduras Humidiseal™

### Para retirar y volver a colocar los cajones:

1. Sujete la manija de la parte inferior del cajón, deslice el cajón y tire recto hacia afuera hasta el tope. Levante el cajón fuera de la guía inferior.
2. Para volver a colocar el cajón, colóquelo en la guía del cajón inferior y empuje más allá del tope del cajón hasta su posición.

### Para retirar la cubierta de los cajones para verduras (se puede quitar solo si primero se retira el receptáculo para fuentes):

1. Primero, retire el plato extraíble.
2. Sostenga el inserto de vidrio firmemente con una mano y presione hacia arriba en el centro del inserto de vidrio hasta que se eleve por encima del marco plástico. Deslice con cuidado el inserto de vidrio hacia adelante para retirarlo.

## Recipiente Herb Tender™

Hay un recipiente para almacenar las hierbas y el agua para mantenerlas frescas dentro del cajón para hierbas. Para su comodidad, puede cambiar de posición el recipiente Herb Tender™ a cualquier lugar del cajón.

## Cajones del congelador

### Cajón para artículos pequeños (en algunos modelos)

Este divisor de cajón no es desmontable y es para artículos pequeños y delicados. Para tener flexibilidad al almacenar, el divisor del cajón puede moverse hacia atrás y hacia adelante para permitir guardar artículos más grandes en una sección del congelador.

### Receptáculo para pizzas

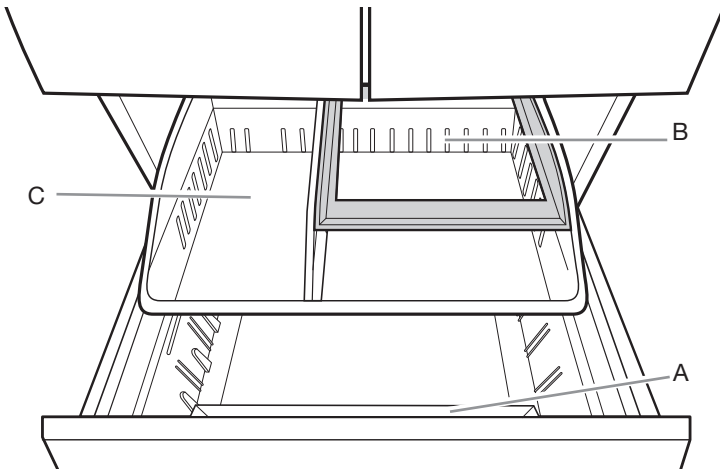
El espacio en la parte delantera del cajón permite el almacenamiento vertical de cajas de pizza adicionales.

### Tercer nivel

Este estante no es desmontable. Para permitir el acceso, el tercer nivel se puede mover hacia atrás, lo cual permite llegar a los artículos en el área de abajo.

### Cajón para hielo (en algunos modelos)

Depósito de hielo para la segunda fábrica de hielo



- A. Receptáculo para pizzas
- B. Tercer nivel
- C. Cajón para hielo (no se muestra)

## Referencia de audio

### Asignación de tonos

Nombre del tono	Ejemplos de uso
ENCENDIDO	El sistema de enfriamiento se enciende cada vez que se enciende el producto.
APAGADO	El sistema de enfriamiento está apagado.
PRESIÓN DE TECLA	El usuario presiona un botón válido.
INVÁLIDO (ERROR)	El usuario presiona 2 o más botones válidos al mismo tiempo. Interrupción de la cuenta regresiva para mantener presionados los botones. El usuario presiona el botón cuando no se permite el despacho.
ACTIVAR	La IU está bloqueada. Max Ice (Hielo máximo) está encendido. El despacho de llenado medido está completo. Smart Grid (Red inteligente) está activado cuando el usuario inicia la conexión Wi-Fi.
DESACTIVAR	La IU está desbloqueada. Max Ice (Hielo máximo) está apagado. Se ha agotado el tiempo de despacho.
ALERTA	Alerta de Wi-Fi, alerta de puerta entreabierta o se perdió la conexión de Wi-Fi durante 12 horas.

Esta tabla es solamente para referencia rápida. Vea las secciones correspondientes para ver detalles. En caso de discrepancias, prevalecerán los detalles de las secciones.

# CUIDADO DEL REFRIGERADOR

## Limpieza

### **ADVERTENCIA**



#### Peligro de Explosión

Use un limpiador no inflamable.

No seguir esta instrucción puede ocasionar la muerte, explosión o incendio.

Tanto la sección del refrigerador como la del congelador se descongelan automáticamente. No obstante, limpie ambas secciones más o menos una vez al mes para evitar la acumulación de olores. Limpie los derrames de inmediato.

#### Limpieza del exterior

Vea la información relativa a la limpieza del exterior que sea específica para su modelo.

##### Estilo 1: Puerta lisa

**IMPORTANTE:** La garantía no cubre los daños al acabado liso debidos al uso inadecuado de los productos de limpieza o de productos de limpieza no recomendados. Los utensilios filosos o de punta roma estropearán el acabado.

USE	NO USE
✓ Paño suave y limpio	<ul style="list-style-type: none"> <li>✗ Paños abrasivos</li> <li>✗ Toallas de papel o papel de diario</li> <li>✗ Estropajos de lana de acero</li> </ul>
✓ Agua tibia jabonosa con un detergente suave	<ul style="list-style-type: none"> <li>✗ Polvos o líquidos abrasivos</li> <li>✗ Rociadores para ventanas</li> <li>✗ Amoniaco</li> <li>✗ Limpiadores a base de ácido o vinagre</li> <li>✗ Limpiadores para hornos</li> <li>✗ Líquidos inflamables</li> </ul>

**NOTA:** Las toallas de papel rayan y pueden opacar el revestimiento transparente de la puerta pintada. Para evitar posibles daños, use solo paños suaves y limpios para lustrar y limpiar la puerta.

##### Estilo 2: Acero inoxidable

#### IMPORTANTE:

- Use solo los limpiadores y los paños para acero inoxidable recomendados. La garantía no cubre los daños al acabado de acero inoxidable debidos al uso inadecuado de los productos de limpieza o de productos de limpieza no recomendados.
- Evite exponer los electrodomésticos de acero inoxidable a elementos cáusticos o corrosivos como ambientes con altas concentraciones de sal, agua o humedad. La garantía no cubre los daños debidos a la exposición a estos elementos.

USE	NO USE
✓ Paño suave y limpio	<ul style="list-style-type: none"> <li>✗ Paños abrasivos</li> <li>✗ Toallas de papel o papel de diario</li> <li>✗ Estropajos de lana de acero</li> </ul>
✓ Agua tibia jabonosa con un detergente suave	<ul style="list-style-type: none"> <li>✗ Polvos o líquidos abrasivos</li> <li>✗ Amoniaco</li> <li>✗ Limpiadores basados en cítricos</li> <li>✗ Limpiadores a base de ácido o vinagre</li> <li>✗ Limpiadores para hornos</li> </ul>
✓ Para la suciedad rebelde, use SOLAMENTE un limpiador para acero inoxidable diseñado para electrodomésticos. Para ordenar el limpiador, vea la sección "Accesorios".	✗ El limpiador para acero inoxidable es solamente para las piezas de acero inoxidable. No permita que el limpiador y pulidor para acero inoxidable entre en contacto con ninguna pieza plástica, como piezas decorativas, cubiertas de despachadores o juntas de puertas.

#### NOTAS:

- Si se produce contacto no intencional, limpie la pieza plástica con una esponja y detergente suave en agua tibia. Seque meticulosamente con un paño suave.
- Solamente porque un producto de limpieza sea líquido no significa que no sea abrasivo. Muchos limpiadores líquidos formulados para tener una acción suave sobre las baldosas y las superficies lisas igualmente dañan el acero inoxidable.
- El ácido cítrico produce cambios permanentes en el color del acero inoxidable. Para evitar dañar el acabado del refrigerador de acero inoxidable:

**No permita que estas sustancias permanezcan sobre el acabado.**

- ✗ Mostaza
- ✗ Salsas con base cítrica
- ✗ Jugo de tomate
- ✗ Productos con base cítrica
- ✗ Salsa marinera

#### Limpieza del interior

**IMPORTANTE:** Los estantes del refrigerador con iluminación LED debajo del estante no son aptos para lavavajillas.

1. Desenchufe el refrigerador o desconecte el suministro de energía.
2. Lave a mano, enjuague y seque todas las partes desmontables y las superficies interiores meticulosamente. Use una esponja limpia o un paño liso y un detergente suave en agua tibia.
 

**NOTA:** No use productos de limpieza abrasivos ni ásperos, como rociadores para ventanas, productos de limpieza para pulir, líquidos inflamables, ceras de limpieza, detergentes concentrados, blanqueadores o productos de limpieza que contengan sustancias derivadas del petróleo en las piezas plásticas, el interior y los revestimientos de las puertas ni en las juntas.
3. Enchufe el refrigerador o reconecte el suministro de energía.

#### Limpieza del condensador

No se necesita una limpieza rutinaria del condensador en ambientes de funcionamiento de casas normales. Si el ambiente es particularmente grasoso o polvoriento, o si hay un tránsito importante de mascotas en el hogar, el condensador deberá limpiarse cada 6 meses para asegurar la máxima eficiencia.

**Si necesita limpiar el condensador, llame para pedir servicio técnico.**

---

## Luces

Las luces de los compartimientos del refrigerador y del congelador son LED y no necesitan ser reemplazadas. Si las luces no se encienden cuando se abre la puerta o el cajón, llame para solicitar ayuda o servicio técnico. En los EE.UU., llame al **1-800-253-1301**. En Canadá, llame al **1-800-807-6777**.

---

## Cuidado durante las vacaciones y las mudanzas

---

### Vacaciones

**Si decide dejar el refrigerador encendido mientras está ausente:**

1. Use todos los artículos perecederos y congele el resto.
2. Si el refrigerador tiene una fábrica de hielo automática y está conectado al suministro de agua de la casa, cierre el suministro de agua al refrigerador. Si no se cierra el suministro de agua, pueden producirse daños a la propiedad.
3. Si tiene una fábrica de hielo automática, apáguela.
  - Presione el interruptor para apagar la fábrica de hielo de la puerta.
4. Vacíe el depósito de hielo.

**Si decide apagar el refrigerador antes de irse:**

**NOTA:** Configure el refrigerador en el modo Showroom (Sala de exposición) mientras está de vacaciones. Vea la sección "Uso de los controles".

1. Saque toda la comida del refrigerador.
2. Si el refrigerador tiene fábrica de hielo automática:
  - Cierre el suministro de agua a la fábrica de hielo por lo menos un día antes.
  - Cuando caiga la última carga de hielo, presione el interruptor hasta OFF (Apagado) para que se apague la pantalla en la parte superior del interior del refrigerador, según el modelo.
3. Vacíe el depósito de hielo.
4. Apague los controles de temperatura. Vea la sección "Uso de los controles".
5. Limpie el refrigerador, pásele un trapo y séquelo bien.
6. Fije con cinta adhesiva bloques de goma o de madera en la parte superior de ambas puertas para que queden abiertas lo suficiente como para que ingrese aire. Esto evita que se acumulen olores y moho.

---

### Mudanza

Si va a mudar el refrigerador a una casa nueva, siga estos pasos para prepararlo para la mudanza.

1. Si el refrigerador tiene fábrica de hielo automática:
  - Cierre el suministro de agua a la fábrica de hielo al menos un día antes.
  - Desconecte la tubería de agua de atrás del refrigerador.
  - Cuando caiga la última carga de hielo, presione el interruptor para apagar la fábrica en la fábrica de hielo o en el control, según el modelo.
2. Saque toda la comida del refrigerador y empaque todos los alimentos congelados en hielo seco.
3. Vacíe el depósito de hielo.
4. Desenchufe el refrigerador.
5. Limpie, enjuague y seque meticulosamente el frigorífico.
6. Retire todas las piezas desmontables, envuélvalas bien y asegúrelas con cinta adhesiva para que no se sacudan durante la mudanza.
7. Según el modelo, levante la parte delantera del refrigerador para que ruede con facilidad O levante las patas niveladoras para no rayar el suelo. Vea las secciones "Para regular las puertas" o "Nivelación del refrigerador y cierre de las puertas".
8. Sostenga las puertas cerradas y el cable pegado a la parte posterior del refrigerador con cinta adhesiva.

Cuando llegue a la casa nueva, ponga todo de nuevo en su sitio y consulte la sección "Instrucciones de instalación" para obtener instrucciones de preparación. Además, si el refrigerador tiene fábrica de hielo automática, recuerde volver a conectar el suministro de agua al refrigerador.



# SOLUCIÓN DE PROBLEMAS: MODELOS CONECTADOS

Pruebe primero las soluciones sugeridas aquí. Si necesita asistencia adicional o más recomendaciones que puedan ayudarle a evitar una visita del servicio técnico, consulte la página de la garantía de este manual, visite [www.jennair.com/connect](http://www.jennair.com/connect) o llame al **1-877-559-2603**. En Canadá, visite [www.jennair.ca/fr/connect](http://www.jennair.ca/fr/connect).

Si tiene preguntas o dudas, contáctenos por correo a la dirección que aparece a continuación:

<p>En Estados Unidos: JennAir Brand Home Appliances Customer eXperience Center 553 Benson Road Benton Harbor, MI 49022-2692</p>	<p>En Canadá: JennAir Brand Home Appliances Customer eXperience Centre 200 – 6750 Century Ave. Mississauga, Ontario L5N 0B7</p>
---	---

Incluya en su correspondencia un número de teléfono en el que se le pueda localizar durante el día.

Estado de conexión	Luces indicadoras del panel de control
El refrigerador no está conectado.	El icono de Wi-Fi está apagado.
El refrigerador está intentando conectarse al enrutador Wi-Fi de la casa.	El icono de Wi-Fi está parpadeando lentamente.
El refrigerador está conectado al enrutador Wi-Fi de la casa, pero la aplicación JennAir o las funciones de Smart Grid (Red inteligente) no funcionan.	El icono de Wi-Fi está encendido.
El refrigerador está conectado al enrutador Wi-Fi de la casa y la aplicación JennAir funciona.	El icono de Wi-Fi está encendido.

Pruebe primero las soluciones sugeridas aquí o visite nuestro sitio web [www.jennair.com/connect](http://www.jennair.com/connect).

Si experimenta lo siguiente	Causas posibles	Solución
El refrigerador no está conectado al enrutador Wi-Fi de la casa. (El icono de Wi-Fi está apagado).	Es posible que el refrigerador esté en modo de espera.	Mantenga presionado el botón Connect (Conectar) durante tres segundos para ver que el icono de Wi-Fi parpadea y, después, queda encendido. Todas las luces indicadoras están apagadas en el modo de espera.
	El refrigerador nunca ha estado conectado al enrutador Wi-Fi de la casa.	Vea la sección “Configuración de la conectividad”.
	Se perdió la conexión al enrutador de Wi-Fi de la casa.	Verifique si el enrutador está encendido y funcionando con otras computadoras u otros dispositivos en la casa (si pueden acceder a Internet).
	Potencia de la señal débil o interferencia de la señal entre el refrigerador y el enrutador.	Intente colocar el enrutador inalámbrico más cerca del refrigerador. Puede ser necesario instalar un dispositivo que extienda el alcance de Wi-Fi.
El icono de Wi-Fi no se enciende después de mantener presionado el botón Connect (Conectar).	Puede haber un desperfecto en el refrigerador.	Desenchufe o desconecte la electricidad del refrigerador durante 30 segundos. Vuelva a conectar la electricidad. Repita el proceso de conexión a Wi-Fi.
		Verifique que el refrigerador opere correctamente, excepto que no se puede conectar. Llame para pedir una posible solución de problemas adicional
El refrigerador está conectado al enrutador Wi-Fi de la casa, pero la aplicación JennAir no funciona.	Es posible que la conexión con la aplicación JennAir no esté disponible.	Verifique la Internet.
	La cuenta de usuario no se ha configurado correctamente o el refrigerador no se ha registrado en una cuenta.	Vea la sección “Configuración de la conectividad” o la aplicación JennAir directamente para ver instrucciones de configuración de la cuenta y de registro del refrigerador.
		Verifique que el refrigerador esté apareado con su cuenta en la aplicación.
	El enrutador no está conectado a Internet.	Verifique otros dispositivos conectados a Internet a través del mismo enrutador.
El refrigerador no se conecta después de varios intentos.	Wi-Fi desconectado	Mantenga presionado el botón Connect (Conectar) durante tres segundos para encender Wi-Fi. Apague el interruptor de servicio durante 30 o más segundos, vuelva a encenderlo y use las instrucciones de configuración alternativa disponibles en <a href="http://www.jennair.com/connect">www.jennair.com/connect</a> .

# SOLUCIÓN DE PROBLEMAS

Pruebe primero las soluciones sugeridas aquí. Si necesita asistencia adicional o más recomendaciones que puedan ayudarle a evitar una visita del servicio técnico, consulte la página de la garantía de este manual, visite [www.jennair.custhelp.com](http://www.jennair.custhelp.com) o llame al **1-800-253-1301**. En Canadá, visite [www.jennair.ca](http://www.jennair.ca).

Si tiene preguntas o dudas, contáctenos por correo a la dirección que aparece a continuación:


<p>En Estados Unidos: JennAir Brand Home Appliances Customer eXperience Center 553 Benson Road Benton Harbor, MI 49022-2692</p>	<p>En Canadá: JennAir Brand Home Appliances Customer eXperience Centre 200 – 6750 Century Ave. Mississauga, Ontario L5N 0B7</p>
---	---

Incluya en su correspondencia un número de teléfono en el que se le pueda localizar durante el día.

Pruebe primero las soluciones sugeridas aquí o visite nuestro sitio web [www.jennair.custhelp.com](http://www.jennair.custhelp.com).

## Funcionamiento del refrigerador

**⚠ ADVERTENCIA**



**Peligro de Choque Eléctrico**

**Conecte a un contacto de pared de conexión a tierra de 3 terminales.**

**No quite la terminal de conexión a tierra.**

**No use un adaptador.**

**No use un cable eléctrico de extensión.**

**No seguir estas instrucciones puede ocasionar la muerte, incendio o choque eléctrico.**

Si experimenta lo siguiente	Causas posibles	Solución
El refrigerador no funciona.	Verifique el suministro eléctrico.	Enchufe el cable eléctrico a un tomacorriente de 3 terminales con conexión a tierra.
		No use un cable eléctrico de extensión.
		Asegúrese de que llegue corriente al tomacorriente. Enchufe una lámpara para ver si funciona el tomacorriente.
		Reposicione el cortacircuitos si se ha disparado. Reemplace los fusibles que se hayan quemado. <b>NOTA:</b> Si los problemas continúan, contacte a un electricista.
Revise los controles.		Asegúrese de que los controles estén encendidos. Vea la sección "Uso de los controles".
Instalación nueva		Espere 24 horas después de la instalación para que el refrigerador se enfríe por completo. <b>NOTA:</b> El ajuste de los controles de temperatura en la posición más fría no enfría ninguno de los compartimientos más rápido.
El control del refrigerador está en modo Showroom (Sala de exposición) (en algunos modelos).		Si el refrigerador está en el modo Showroom (Sala de exposición), el enfriamiento estará apagado y se iluminará la palabra "Showroom" (Sala de exposición) en el panel de control. Para obtener más información, vea la sección "Uso de los controles".

# SOLUCIÓN DE PROBLEMAS

Pruebe primero las soluciones sugeridas aquí o visite nuestro sitio web [www.jennair.custhelp.com](http://www.jennair.custhelp.com).

Si experimenta lo siguiente	Causas posibles	Solución
<b>Funcionamiento del refrigerador (cont.)</b>		
El motor parece funcionar demasiado.	Compresor y ventiladores de alto rendimiento	Los refrigeradores más grandes y con mayor ahorro de energía funcionan durante más tiempo a velocidades más bajas, con mayor eficiencia energética.
	La temperatura ambiente o la temperatura exterior es elevada.	Es normal que el refrigerador funcione durante más tiempo bajo estas condiciones. Para un rendimiento óptimo, coloque el refrigerador en un ambiente interior con temperatura controlada. Vea la sección "Requisitos de ubicación".
	Se ha agregado recientemente una gran cantidad de alimentos calientes.	Los alimentos calientes harán que el refrigerador funcione más tiempo hasta enfriar el aire a la temperatura deseada.
	Las puertas se abren con demasiada frecuencia o permanecen abiertas demasiado tiempo.	El aire caliente que entra en el refrigerador hace que funcione durante más tiempo. Abra la puerta con menos frecuencia.
	Está entreabierta la puerta del refrigerador o el cajón del congelador.	Asegúrese de que el refrigerador esté nivelado. Vea "Nivelación del refrigerador y cierre de las puertas". Evite que los alimentos y los recipientes bloqueen la puerta.
	El control del refrigerador se ha fijado a una temperatura demasiado baja.	Regule el control del refrigerador en un ajuste menos frío hasta que la temperatura sea la deseada.
	Está sucia, gastada o agrietada la junta de la puerta o del cajón.	Limpie la junta o cámbiela. Las fugas en el sello de la puerta harán que el refrigerador funcione por más tiempo para mantener las temperaturas deseadas.
Las luces no funcionan.	El refrigerador está equipado con luces LED que no necesita cambiar.	Si hay suministro de corriente al refrigerador y las luces no se iluminan cuando se abre una puerta o un cajón, llame para solicitar servicio o asistencia.
	Las puertas han quedado abiertas más de 10 minutos.	Cierre las puertas y el cajón para restablecer; ábralos para reanudar la tarea iluminada.
	El interruptor de la puerta no está percibiendo que la puerta está abierta.	Asegúrese de que no haya imanes o dispositivos electrónicos a 3" (7,6 cm) de la cubierta de la bisagra.
La IU de Temperature Controls (Controles de temperatura) no se enciende.	El interruptor de la puerta no está percibiendo que la puerta está abierta.	Asegúrese de que no haya imanes o dispositivos electrónicos a 3" (7,6 cm) de la cubierta de la bisagra.
<b>Ruidos poco comunes</b>		
Para escuchar los sonidos normales del refrigerador, vaya a la sección de asistencia con el producto/preguntas frecuentes del sitio web de la marca y busque "sonidos normales". A continuación se enumeran algunos sonidos normales con explicaciones.		
El refrigerador parece ruidoso.	El compresor del nuevo refrigerador regula la temperatura con más eficiencia, a la vez que usa menos energía y funciona silenciosamente.	Debido a esta reducción del ruido de funcionamiento, es posible que note ruidos extraños que son normales.
Sonido del compresor funcionando más tiempo que lo esperado.	Compresor y ventiladores de alto rendimiento	Los refrigeradores más grandes y con mayor ahorro de energía funcionan durante más tiempo a velocidades más bajas, con mayor eficiencia energética.
Pulsaciones/runruneos	Los ventiladores/el compresor se ajustan para mejorar el rendimiento al máximo durante el funcionamiento normal del compresor.	Esto es normal.
Estallido	Contracción/expansión de las paredes interiores, especialmente durante el enfriamiento inicial.	Esto es normal.
Sonido sibilante/Goteo	Flujo de refrigerante o flujo de aceite en el compresor.	Esto es normal.
Vibración	Es posible que el refrigerador no esté estable.	Regule los tornillos niveladores y baje la pata niveladora con firmeza contra el piso. Vea "Nivelación del refrigerador y cierre de las puertas".

# SOLUCIÓN DE PROBLEMAS

Pruebe primero las soluciones sugeridas aquí o visite nuestro sitio web [www.jennair.custhelp.com](http://www.jennair.custhelp.com).

Si experimenta lo siguiente	Causas posibles	Solución
<b>Ruidos poco comunes (cont.)</b>		
Traqueteo/golpeteo	Movimiento de las líneas de agua contra el gabinete del refrigerador o artículos colocados encima.	Aleje el exceso de la línea de agua del gabinete del refrigerador o sujete el exceso de tubería al gabinete. Vea la sección "Conexión del suministro de agua" o retire los artículos de encima del refrigerador.
Chisporroteos	Agua que gotea sobre el calentador durante el ciclo de descongelado.	Esto es normal.
Agua corriendo/gorgoteos	Puede oírse cuando el hielo se derrite durante el ciclo de descongelación y corre hacia la bandeja colectora.	Esto es normal.
Zumbidos y chasquidos	Se oyen cuando la válvula de agua se abre y se cierra para despachar agua o llenar la fábrica de hielo.	Si el refrigerador está conectado a una tubería de agua, esto es normal. Si el refrigerador no está conectado a una tubería de agua, apague la fábrica de hielo.
Chasquido repetitivo	Válvula doble del evaporador que está regulando el funcionamiento del enfriamiento.	Es posible que escuche sonidos de chasquidos repetitivos a medida que la unidad pasa de enfriar un compartimiento al otro. Este sonido es normal.
Chirridos/crujidos/rechinados	Pueden escucharse cuando el hielo se expulsa del molde de la fábrica de hielo.	Esto es normal.
Repiqueo	Puede oírse cuando el hielo cae en el depósito de hielo.	Esto es normal.
<b>Temperatura y humedad</b>		
La temperatura está demasiado elevada.	El refrigerador se ha instalado recientemente.	Espere 24 horas después de la instalación para que el refrigerador se enfríe por completo.
	El enfriamiento está apagado.	Encienda el enfriamiento. Vea la sección "Uso de los controles".
	Los controles no se han ajustado correctamente según las condiciones circundantes.	Regule los controles un ajuste más frío. Revise la temperatura en 24 horas. Vea la sección "Uso de los controles".
	Las puertas se abren a menudo o no se cierran por completo. Esto permite el ingreso de aire caliente al refrigerador.	Reduzca al mínimo el número de veces que abre la puerta y mantenga las puertas completamente cerradas.
	Se ha agregado recientemente una gran cantidad de alimentos.	Espere varias horas para que el refrigerador vuelva a la temperatura normal.
La temperatura está demasiado baja en el refrigerador/cajón para verduras.	Están bloqueados los orificios de aire del refrigerador.	Si el orificio de ventilación del centro de la parte trasera del compartimiento del refrigerador está obstruido con artículos colocados directamente delante del orificio, la temperatura del refrigerador bajará demasiado. Aleje los artículos del orificio de ventilación de aire.
	Los controles no se han ajustado correctamente según las condiciones circundantes.	Regule los controles en un ajuste más caliente. Revise la temperatura en 24 horas. Vea la sección "Uso de los controles".
	El depósito de hielo no está en la posición correcta.	Vea la sección "Fábrica de hielo y depósito de almacenamiento".
La temperatura está demasiado baja en el cajón tipo despensa.	El control no se ha ajustado correctamente para los artículos guardados en el cajón.	Regule el ajuste de temperatura. Vea la sección "Uso de los controles".
Hay acumulación de humedad en el interior <b>NOTA:</b> cierta acumulación de humedad es normal.	La habitación es húmeda.	Un ambiente húmedo contribuye a que se acumule humedad.
	Las puertas se abren a menudo o no se cierran por completo. Esto hace que entre aire húmedo al refrigerador.	Reduzca al mínimo las veces que abre la puerta y cierre las puertas por completo.
	Las puertas quedaron bloqueadas abiertas.	Aleje los paquetes de alimentos de la puerta.
	Hay un recipiente o un estante bloqueando el paso.	Empuje el recipiente o el estante nuevamente a la posición correcta.
	Se está guardando líquido en recipientes abiertos	Esto agrega humedad al interior del refrigerador. Mantenga todos los recipientes bien cerrados.

# SOLUCIÓN DE PROBLEMAS

Pruebe primero las soluciones sugeridas aquí o visite nuestro sitio web [www.jennair.custhelp.com](http://www.jennair.custhelp.com).

Si experimenta lo siguiente	Causas posibles	Solución
<b>Temperatura y humedad (cont.)</b>		
Hay acumulación de escarcha/hielo en el compartimiento del congelador	El cajón se abre a menudo o se deja abierto.	Reduzca al mínimo las veces que abre el cajón y ciérrelo por completo después de usarlo.
	Puerta mal sellada	Cerciórese de que los sellos de las puertas hagan contacto completo con el gabinete del refrigerador para permitir que se selle por completo.
	Los controles de temperatura no están fijados correctamente.	Vea la sección "Uso de los controles" para conocer los ajustes de temperatura recomendados.
<b>Hielo y agua</b>		
La fábrica de hielo no produce hielo o no produce suficiente hielo.	No se ha conectado el refrigerador a un suministro de agua o no se ha abierto la válvula de cierre del suministro de agua.	Conecte el refrigerador al suministro de agua y abra por completo la válvula de cierre.
	La línea de origen de agua está retorcida.	Una retorcedura en la línea puede reducir el flujo de agua. Enderece la línea de origen de agua.
	No se ha encendido la fábrica de hielo.	Asegúrese de que la fábrica de hielo esté encendida. Vea la sección "Fábrica de hielo y depósito de almacenamiento".
	El refrigerador se ha instalado recientemente.	Espere 24 horas después de la instalación de la fábrica de hielo para que empiece a producir hielo. Deje transcurrir 3 días para la producción total de hielo.
	La puerta del refrigerador no está cerrada por completo.	Cierre la puerta con firmeza. Si no se cierra completamente, vea "Las puertas no cierran completamente" anteriormente en esta tabla.
	Se acaba de sacar una gran cantidad de hielo.	Deje transcurrir suficiente tiempo para que la fábrica de hielo produzca más hielo. Vea la sección "Fábrica de hielo y depósito de almacenamiento" para conocer las velocidades de producción de hielo.
	Se trabó un cubo de hielo en la fábrica de hielo.	Saque el hielo de la fábrica de hielo con un utensilio plástico.
	Hay un filtro de agua instalado en el refrigerador.	Quite el filtro de agua y ponga a funcionar la fábrica de hielo. Si el volumen de agua aumenta, el filtro puede estar obstruido o haberse instalado incorrectamente. Reemplace el filtro o vuelva a instalarlo correctamente.
	Se ha conectado un sistema de filtración de agua de ósmosis inversa al suministro de agua fría.	Esto puede hacer que disminuya la presión de agua. Vea la sección "Requisitos de suministro de agua".
Los cubos de hielo son huecos o pequeños. <b>NOTA:</b> esto es una indicación de baja presión de agua.	La válvula de cierre de agua no está abierta por completo.	Abra completamente la válvula de cierre de agua.
	La línea de origen de agua está retorcida.	Una retorcedura en la línea puede reducir el flujo de agua. Enderece la línea de origen de agua.
	Hay un filtro de agua instalado en el refrigerador.	Quite el filtro y ponga a funcionar la fábrica de hielo. Si mejora la calidad del hielo, el filtro puede estar obstruido o haberse instalado incorrectamente. Reemplace el filtro o vuelva a instalarlo correctamente.
	Se ha conectado un sistema de filtración de agua de ósmosis inversa al suministro de agua fría.	Esto puede hacer que disminuya la presión de agua. Vea la sección "Requisitos de suministro de agua".
	Aún tiene preguntas acerca de la presión de agua.	Llame a un plomero competente matriculado.

# SOLUCIÓN DE PROBLEMAS

Pruebe primero las soluciones sugeridas aquí o visite nuestro sitio web [www.jennair.custhelp.com](http://www.jennair.custhelp.com).

Si experimenta lo siguiente	Causas posibles	Solución
<b>Hielo y agua (cont.)</b>		
El hielo o el agua tienen mal sabor, mal olor o color grisáceo.	En un refrigerador recién instalado se debe enjuagar el sistema de agua.	Enjuague el sistema de agua. Vea la sección “Despachadores de agua y de hielo” para leer las instrucciones de enjuague del sistema de agua.
	Se han instalado o reemplazado recientemente las conexiones de plomería. Las conexiones nuevas de plomería pueden producir cambios de color o mal sabor en el hielo o el agua.	Deseche el hielo y lave el depósito de hielo. Enjuague el sistema de agua con 3 gal (12 lbs) de agua. Espere 24 horas para que la fábrica de hielo haga hielo nuevo y deseche los 3 primeros lotes de hielo producido.
	Se está usando un tipo de conexión de suministro de agua diferente del recomendado.	Se recomienda usar tubería de cobre o una línea de suministro JennAir®, pieza número 8212547RP. Vea la sección “Conexión del suministro de agua”.
	El hielo ha estado almacenado demasiado tiempo.	Deseche el hielo y lave el depósito de hielo. Espere 24 horas para que la fábrica de hielo haga hielo nuevo.
	El agua ha estado guardada demasiado tiempo.	Despache por lo menos 1 cuarto (1 lt) de agua por semana para mantener un suministro fresco.
	Se ha transferido al hielo el olor de los alimentos guardados.	Use recipientes herméticos a prueba de humedad para almacenar alimentos.
	El agua contiene minerales (como el azufre).	Puede ser necesario instalar un filtro de agua para eliminar los minerales.
	Hay un filtro de agua instalado en el refrigerador.	Un descoloramiento oscuro o un color gris del hielo pueden indicar que el sistema de filtrado de agua necesita enjuagarse más. Enjuague el sistema de agua después de la instalación y antes de usar un nuevo filtro de agua. Vea la sección “Despachadores de agua y de hielo” para leer las instrucciones de enjuague del filtro de agua.
El filtro de agua debe ser reemplazado.	Reemplace el filtro de agua desechable por lo menos cada 6 meses o cuando se indique. Vea la sección “Sistema de filtración de agua”.	
El despachador de agua y hielo no funciona debidamente.	No se ha conectado el refrigerador a un suministro de agua o no se ha abierto la válvula de cierre del suministro de agua.	Conecte el refrigerador al suministro de agua y abra por completo la válvula de cierre.
	La línea de origen de agua está retorcida.	Una retorcedura en la línea puede reducir el flujo de agua del despachador y hacer que el hielo quede hueco o tenga una forma irregular. Enderece la línea de origen de agua.
	El refrigerador se ha instalado recientemente.	Enjuague y llene el sistema de agua. Vea la sección “Despachadores de agua y de hielo”.
	La presión de agua a la casa no es de 35 psi (241 kPa) como mínimo.	La presión de agua a la casa determina el flujo del despachador. Vea la sección “Requisitos de suministro de agua”.
	Se ha conectado un sistema de filtración de agua de ósmosis inversa al suministro de agua fría.	Un sistema de filtración de agua por ósmosis inversa puede disminuir la presión de agua. Vea la sección “Requisitos de suministro de agua”.
	Es posible que el filtro de agua esté bloqueado.	Saque el filtro de agua y ponga a funcionar el despachador. Si aumenta el flujo de agua, el filtro está obstruido y debe ser reemplazado. Vea la sección “Sistema de filtración de agua”.
	Se ha instalado incorrectamente el filtro de agua.	Saque el filtro de agua y vuelva a instalarlo. Vea la sección “Sistema de filtración de agua”.

# SOLUCIÓN DE PROBLEMAS

Pruebe primero las soluciones sugeridas aquí o visite nuestro sitio web [www.jennair.custhelp.com](http://www.jennair.custhelp.com).


Hielo y agua (cont.)		
Si experimenta lo siguiente	Causas posibles	Solución
El despachador de agua y hielo no funciona debidamente. (cont.)	Está entreabierta la puerta del refrigerador o el cajón del congelador.	Saque firmemente la puerta o el cajón. Si no se cierra completamente, vea "Las puertas no cierran completamente".
	Se han quitado recientemente las puertas del refrigerador.	Asegúrese de que el conjunto de tubería/alambre del despachador de agua se haya vuelto a conectar como es debido en la parte superior de la puerta del refrigerador. Vea la sección "Cómo retirar y volver a colocar las puertas del refrigerador".
	Hay hielo atascado en el depósito de hielo o bloqueando el conducto de salida de hielo.	Quite el hielo que esté atascado en el depósito y en el conducto para hielo con un utensilio plástico si es necesario. Limpie el conducto de salida de hielo y la base del depósito de hielo con un paño humedecido con agua tibia; después, seque ambos meticulosamente. Para evitar obstrucciones y para mantener un suministro fresco de hielo, vacíe el depósito y limpie el depósito y el conducto de salida cada 2 semanas.
Es difícil remover el depósito de hielo de la puerta.	El nivel de hielo en el depósito puede estar alto y disparado en relación a la producción normal de hielo y dosificación de hielo durante el despacho.	Saque 2 a 3 vasos de hielo, luego intente sacar el depósito de hielo.
El despachador de hielo se atasca mientras vierte el hielo picado.	El hielo picado está bloqueando el conducto de salida de hielo.	Cambie de hielo picado a hielo en cubos para despejar el depósito de hielo. Después, cambie nuevamente a hielo picado.
Hay fugas de agua o goteos en el sistema despachador. <b>NOTA:</b> Es normal que caigan unas pocas gotas de agua después de despachar agua.	No se ha puesto el vaso debajo del despachador el tiempo suficiente.	Sostenga el vaso debajo del despachador durante 2 a 3 segundos después de soltar la palanca del despachador.
El hielo comienza a salir desde el despachador. <b>NOTA:</b> El despacho de algunos hielos es normal después de soltar la palanca del despachador.	No se ha puesto el vaso debajo del despachador el tiempo suficiente.	Sostenga el vaso debajo del despachador durante 2 a 3 segundos después de soltar la palanca del despachador.
Continúan saliendo gotas de agua del despachador después de las primeras gotas.	El refrigerador se ha instalado recientemente.	Si se enjuaga el sistema de agua, se eliminará el aire de las líneas que causa goteo de agua. Enjuague el sistema de agua. Vea la sección "Despachadores de agua y de hielo".
	Se ha instalado o reemplazado recientemente el filtro de agua.	Si se enjuaga el sistema de agua, se eliminará el aire de las líneas que causa goteo de agua. Enjuague el sistema de agua. Vea la sección "Despachadores de agua y de hielo".
	Puede que una conexión de agua esté floja.	Revise si hay agua en la parte inferior del compartimiento del refrigerador, el área de las bisagras o por la conexión doméstica en la parte trasera del producto.
Hay fugas de agua de la parte trasera del refrigerador.	Las conexiones de la línea de agua no se apretaron por completo.	Vea la sección "Conexión del suministro de agua".
	Las puertas se retiraron recientemente y no se apretó por completo la conexión de la línea de agua.	Vea la sección "Cómo retirar y volver a colocar las puertas del refrigerador".

# SOLUCIÓN DE PROBLEMAS

Pruebe primero las soluciones sugeridas aquí o visite nuestro sitio web [www.jennair.custhelp.com](http://www.jennair.custhelp.com).

Si experimenta lo siguiente	Causas posibles	Solución
<b>Hielo y agua (cont.)</b>		
Al dispensar el hielo, algunos cubos enteros o picados caen fuera del vaso.	El vaso no es puesto lo suficientemente cerca de la salida del hielo.	Sostenga el vaso cerca de la salida del hielo.
El agua del despachador está tibia.	El agua del despachador se enfría a 50 °F (10 °C).	Esto es normal.
	El refrigerador se ha instalado recientemente.	Espere 24 horas después de la instalación para que el suministro de agua se enfríe completamente.
	Se acaba de despachar una gran cantidad de agua.	Espere 3 horas para que el suministro de agua se enfríe completamente.
	No se ha usado el despachador de agua recientemente.	Puede ser que el primer vaso de agua no esté frío. Deseche el primer vaso de agua despachado.
	El refrigerador no está conectado a una tubería de agua fría.	Asegúrese de que el refrigerador esté conectado a una tubería de agua fría. Vea la sección "Requisitos de suministro de agua".
<b>Puertas</b>		

**⚠ ADVERTENCIA**



**Peligro de Explosión**

**Use un limpiador no inflamable.**

**No seguir esta instrucción puede ocasionar la muerte, explosión o incendio.**

Para ver una animación que le muestra cómo ajustar y alinear las puertas, vea la sección de Asistencia con el producto/preguntas frecuentes del sitio web de la marca y busque "Nivelación del refrigerador y cierre de las puertas".

Si experimenta lo siguiente	Causas posibles	Solución
Las puertas no cierran completamente.	Las puertas quedan abiertas debido a un bloqueo.	Aleje los paquetes de alimentos de la puerta.
	Hay un recipiente o un estante bloqueando el paso.	Empuje el recipiente o el estante nuevamente a la posición correcta.
	Instalación reciente.	Quite todos los materiales de empaque.
Es difícil abrir las puertas.	Las juntas de las puertas están sucias o pegajosas.	Limpie las juntas y las superficies de contacto con jabón suave y agua tibia. Enjuague y seque con un paño suave.
Las puertas parecen estar desparejas.	Se deben alinear las puertas o nivelar el refrigerador.	Vea "Nivelación del refrigerador y cierre de las puertas".
El refrigerador está inestable o rueda hacia adelante cuando se abren y se cierran las puertas	Las patas con freno del refrigerador no están firmes contra el piso.	Retire la rejilla de la base. Gire en sentido horario ambas patas con freno (una a cada lado) la misma cantidad de veces hasta que queden firmes contra el piso. Vea "Nivelación del refrigerador y cierre de las puertas".



# Avisos normativos para electrodomésticos conectados

## Aviso de conformidad con la Comisión Federal de Comunicaciones (FCC)

Este equipo ha sido evaluado y se determinó que cumple con los límites para un dispositivo digital de clase B, de acuerdo con la parte 15 de las reglas de la FCC. Estos límites están destinados a proporcionar una protección razonable contra interferencia perjudicial en una instalación residencial. Este equipo genera, usa y puede irradiar energía de radiofrecuencia y, si no se instala y usa según las instrucciones, puede causar interferencia perjudicial a las radiocomunicaciones. Sin embargo, no se garantiza que tal interferencia no se produzca en una instalación en particular. Si este equipo de hecho causa interferencia perjudicial a la recepción de radio o televisión, lo cual se puede determinar apagando y encendiendo el equipo, se recomienda al usuario que intente corregir la interferencia con una de las siguientes medidas:

- Reoriente o reubique la antena receptora.
- Aumente la separación entre el equipo y el receptor.
- Conecte el equipo en un tomacorriente en un circuito separado del que se usa para conectar el receptor.
- Consulte con el distribuidor o con un técnico en radio/TV con experiencia.

Este dispositivo cumple con la parte 15 de las reglas de la FCC. La operación está sujeta a las siguientes condiciones:

1. Este aparato no provocará interferencias nocivas y
2. Este aparato debe aceptar cualquier interferencia, incluida aquella que pueda causar una operación no deseada.

Los cambios o las modificaciones con aprobación expresa de la parte responsable del cumplimiento podrían anular la autorización del usuario para operar el equipo.

## Información sobre exposición a RF

Para cumplir con los requisitos de exposición a RF de la FCC/IC para dispositivos transmisores móviles, este transmisor solo debe usarse o instalarse en lugares donde haya al menos 20 cm de distancia de separación entre la antena y todas las personas.

Para cumplir con los límites de exposición a RF de la FCC/IC para exposición no controlada/de la población general, las antenas usadas para este transmisor deben instalarse de modo que se proporcione una distancia de separación de al menos 20 cm de todas las personas y no se debe ubicar ni operar junto con ninguna otra antena o transmisor.

## Aviso de conformidad con Industry Canada (IC)

Este dispositivo cumple con las normas RSS exentas de licencia de Industry Canada. La operación está sujeta a las siguientes condiciones:

1. Este aparato no puede provocar interferencias,
2. Este aparato debe aceptar cualquier interferencia, incluida aquella que pueda causar una operación no deseada.

Según la normativa de Industry Canada, este radiotransmisor solo puede operar con una antena de un tipo y máxima (o menor) ganancia aprobada para el transmisor por Industry Canada. Para reducir la potencial interferencia de radio para otros usuarios, el tipo de antena y su ganancia se deben elegir de modo que la potencia radiada isotrópicamente equivalente (e.i.r.p.) no sea mayor que la necesaria para una comunicación satisfactoria.

Este radiotransmisor IC: 10248A-XPWG3 ha sido aprobado por Industry Canada para operar con los tipos de antena enumerados a continuación con la máxima ganancia permitida y la impedancia de antena requerida para cada tipo de antena indicado. Los tipos de antena no incluidos en esta lista que tengan una ganancia mayor que la ganancia máxima indicada para ese tipo están estrictamente prohibidos para el uso con este aparato.

Tipo de antena	Ganancia de antena máxima permitida (dBi)	Impedancia requerida (OHM)
Ranura	1.76	50

Para cumplir con los límites de exposición a RF de la FCC y de Industry Canada para la población general, las antenas usadas para este transmisor deben instalarse de modo que se mantenga una distancia de separación mínima de 20 cm entre el radiador (antena) y todas las personas en todo momento y no se debe ubicar ni operar junto con ninguna otra antena o transmisor.

Este dispositivo cumple con las normas RSS de Industry Canada para dispositivos de radiofrecuencia exentos de licencia. La operación está sujeta a las siguientes dos condiciones:

- (1) Este aparato no puede provocar interferencias, y
- (2) El usuario de este dispositivo debe aceptar cualquier interferencia de radio recibida, aun cuando dicha interferencia probablemente pueda causar un funcionamiento no deseado.

Según la normativa de Industry Canada, este radiotransmisor solo puede operar con una antena de un tipo y máxima (o menor) ganancia aprobada para el transmisor por Industry Canada. Para reducir la potencial interferencia de radio para otros usuarios, el tipo de antena y su ganancia se deben elegir de modo que la potencia irradiada isotrópicamente equivalente (e.i.r.p.) no sea mayor que la necesaria para una comunicación satisfactoria.

Este radiotransmisor de IC: 10248A-XPWG3 ha sido aprobado por Industry Canada para operar con los tipos de antena enumerados a continuación con la máxima ganancia permitida y la impedancia de antena para cada tipo de antena. Los tipos de antena no incluidos en esta lista, que tengan una ganancia mayor que la ganancia máxima indicada para ese tipo están estrictamente prohibidos para el uso con este transmisor.

Tipo de antena	Máxima ganancia permitida de la antena (dBi)	Impedancia requerida (OHM)
Ranurada	1,76	50

Para cumplir con los límites de exposición a la radiación de la FCC e Industry Canada, debe mantenerse una distancia de separación de 20 cm o más entre este dispositivo y las personas cuando la unidad está en uso. Para garantizar el cumplimiento, no se recomienda hacer funcionar el aparato a una distancia menor. La antena utilizada para este transmisor no se debe ubicar junto con ninguna otra antena o transmisor.

## Responsabilidades de OEM para cumplir con las normativas de la FCC y de Industry Canada

El módulo XPWG3 ha sido certificado para la integración con productos solo de integradores OEM según las siguientes condiciones:

1. Las antenas deben instalarse de modo que se mantenga una distancia de separación mínima de 20 cm entre el radiador (antena) y todas las personas en todo momento.
2. El módulo transmisor no se debe ubicar ni operar junto con ninguna otra antena o transmisor.

Siempre y cuando las dos condiciones anteriores se cumplan, no se requerirán otras pruebas del transmisor. Sin embargo, el integrador OEM es igualmente responsable de hacer pruebas a su producto final para cualquier requisito de conformidad adicional requerido con este módulo instalado (por ejemplo, emisiones de dispositivos digitales, requisitos de PC periféricas, etc.).

**NOTA IMPORTANTE:** En caso de que estas condiciones no puedan cumplirse (para determinadas configuraciones o la ubicación junto con otro transmisor), las autorizaciones de la FCC y de Industry Canada dejan de ser consideradas válidas y la ID de la FCC y el número de certificación de IC no pueden utilizarse en el producto final. En esas circunstancias, el integrador OEM será responsable de volver a evaluar el producto final (incluido el transmisor) y de obtener una autorización separada de la FCC y de Industry Canada.

## Etiquetas del producto final

El módulo XPWG3 está etiquetado con su propia ID de la FCC y número de certificación de IC. Si la ID de la FCC y el número de certificación de IC no están visibles cuando el módulo se instala dentro de otro aparato, el exterior del aparato dentro del cual se instale el módulo también debe mostrar una etiqueta que mencione el módulo incluido. En ese caso, el producto final debe estar etiquetado en un área visible con lo siguiente:

“Contiene módulo transmisor, ID de la FCC: A5UXPWG3”

“Contiene módulo transmisor, IC: 10248A-XPWG3”

o bien

“Contiene ID de la FCC: A5UXPWG3”

“Contiene IC: 10248A-XPWG3”

# Avisos normativos para electrodomésticos conectados (cont.)

El OEM del módulo XPWG3 debe usar solo las antenas aprobadas que se han certificado con este módulo. El integrador OEM debe tener presente que no debe brindar información al usuario final sobre cómo instalar o retirar este módulo de RF o cómo cambiar parámetros relacionados con RF en el manual del usuario del producto final.

## El manual del usuario para el producto final debe incluir la siguiente información en un lugar destacado:

“Para cumplir con los límites de exposición a RF de la FCC y de Industry Canada para la población general, las antenas usadas para este transmisor deben instalarse de modo que se mantenga una distancia de separación mínima de 20 cm entre el radiador (antena) y todas las personas en todo momento y no se debe ubicar ni operar junto con ninguna otra antena o transmisor”.

## Uso de licencia de origen abierto

Los siguientes enunciados se refieren a las partes de este software con base en parte de FreeRTOS v7.0.2, <http://www.freertos.org>. El uso de este software se rige por los términos de GNU General Public License v. 2, disponible en: <http://www.gnu.org/licenses/gpl-2.0.html>. Puede obtener una copia del código fuente por solicitud escrita del software por nombre a [opensource@whirlpool.com](mailto:opensource@whirlpool.com), junto con la dirección para la entrega.

Los siguientes enunciados se refieren a las partes del software con derechos de autor registrados por Eclipse Foundation, Inc. Copyright (c) 2007, Eclipse Foundation, Inc. y sus licenciantes. Todos los derechos reservados.

La redistribución y el uso en formas fuente y binaria, con o sin modificación, están permitidos siempre y cuando se cumplan las siguientes condiciones:

- Las redistribuciones de código fuente deben conservar el aviso de derechos de autor anterior, esta lista de condiciones y la siguiente exención de responsabilidades.
- Las redistribuciones de forma binaria deben reproducir el aviso de derechos de autor anterior, esta lista de condiciones y la siguiente exención de responsabilidades en la documentación y/u otro material que se proporcione con la distribución.
- Ni el nombre de Eclipse Foundation, Inc. ni los nombres de sus contribuyentes se pueden usar para avalar o promover productos derivados de este software sin el permiso específico previo por escrito.

ESTE SOFTWARE ES PROPORCIONADO POR LOS TITULARES DE LOS DERECHOS DE AUTOR Y SUS CONTRIBUYENTES “COMO ESTÁ” Y SE NIEGA TODA RESPONSABILIDAD POR CUALQUIER GARANTÍA EXPLÍCITA O IMPLÍCITA, INCLUIDAS, ENTRE OTRAS, LAS GARANTÍAS IMPLÍCITAS DE COMERCIABILIDAD Y DE ADECUACIÓN PARA UN PROPÓSITO EN PARTICULAR. EN NINGÚN CASO EL PROPIETARIO DE LOS DERECHOS DE AUTOR O LOS CONTRIBUYENTES SERÁN RESPONSABLES POR ALGÚN DAÑO DIRECTO, INDIRECTO, INCIDENTAL, ESPECIAL, EJEMPLAR O CONSECUENCIAL (INCLUIDOS, ENTRE OTROS, EL APROVISIONAMIENTO DE MERCANCÍAS O SERVICIOS SUSTITUTOS, PÉRDIDA DE USO, DATOS O BENEFICIOS O INTERRUPCIÓN DE ACTIVIDADES COMERCIALES) QUE SIN EMBARGO SE PRODUJERAN Y CON BASE EN CUALQUIER TEORÍA DE RESPONSABILIDAD CIVIL, TANTO CONTRACTUAL, DE RESPONSABILIDAD ESTRICTA O EXTRACONTRACTUAL (INCLUIDA NEGLIGENCIA U OTRA) QUE SURJA DE CUALQUIER MANERA DEL USO DE ESTE SOFTWARE, INCLUSO SI SE ADVIRTIERA SOBRE LA POSIBILIDAD DE DICHO DAÑO.

Partes de este software tienen derechos de autor registrados. Copyright (c) Sawtooth Consulting Ltd. 2006-2015. Todos los derechos reservados.

Partes de este software tienen derechos de autor registrados. Copyright (c) Arrayent, Inc. 2015. Todos los derechos reservados.

Los siguientes enunciados se refieren a esas partes del software con derechos de autor registrados por Swedish Institute of Computer Science.

Copyright (c) 2001-2004, Swedish Institute of Computer Science. Todos los derechos reservados.

La redistribución y el uso en formas fuente y binaria, con o sin modificación, están permitidos siempre y cuando se cumplan las siguientes condiciones:

1. Las redistribuciones de código fuente deben conservar el aviso de derechos de autor anterior, esta lista de condiciones y la siguiente exención de responsabilidades.
2. Las redistribuciones de forma binaria deben reproducir el aviso de derechos de autor anterior, esta lista de condiciones y la siguiente exención de responsabilidades en la documentación y/u otro material que se proporcione con la distribución.
3. El nombre del autor no se puede usar para avalar o promover productos derivados de este software sin el permiso específico previo por escrito.

ESTE SOFTWARE ES PROPORCIONADO POR EL AUTOR “COMO ESTÁ” Y SE NIEGA TODA RESPONSABILIDAD POR CUALQUIER GARANTÍA EXPLÍCITA O IMPLÍCITA, INCLUIDAS, ENTRE OTRAS, LAS GARANTÍAS IMPLÍCITAS DE COMERCIABILIDAD Y DE ADECUACIÓN PARA UN PROPÓSITO EN PARTICULAR. EN NINGÚN CASO EL AUTOR SERÁ RESPONSABLE POR ALGÚN DAÑO DIRECTO, INDIRECTO, INCIDENTAL, ESPECIAL, EJEMPLAR O CONSECUENCIAL (INCLUIDO, ENTRE OTROS, EL APROVISIONAMIENTO DE MERCANCÍAS O SERVICIOS SUSTITUTOS, PÉRDIDA DE USO, DATOS O BENEFICIOS O INTERRUPCIÓN DE ACTIVIDADES COMERCIALES) QUE SIN EMBARGO SE PRODUJERAN Y CON BASE EN CUALQUIER TEORÍA DE RESPONSABILIDAD CIVIL, TANTO CONTRACTUAL, DE RESPONSABILIDAD ESTRICTA O EXTRACONTRACTUAL (INCLUIDA NEGLIGENCIA U OTRA) QUE SURJA DE CUALQUIER MANERA DEL USO DE ESTE SOFTWARE, INCLUSO SI SE ADVIRTIERA SOBRE LA POSIBILIDAD DE DICHO DAÑO.

Los siguientes enunciados se refieren a las partes del software con derechos de autor registrados por Marvell International Ltd. Copyright (c) Marvell International Ltd. Todos los derechos reservados.

DESCARGO DE RESPONSABILIDAD. ESTE SOFTWARE ES PROPORCIONADO POR LOS TITULARES DE LOS DERECHOS DE AUTOR Y SUS CONTRIBUYENTES “COMO ESTÁ” Y SE NIEGA TODA RESPONSABILIDAD POR CUALQUIER GARANTÍA EXPLÍCITA O IMPLÍCITA, INCLUIDAS, ENTRE OTRAS, LAS GARANTÍAS IMPLÍCITAS DE COMERCIABILIDAD Y DE ADECUACIÓN PARA UN PROPÓSITO EN PARTICULAR. EN NINGÚN CASO EL PROPIETARIO DE LOS DERECHOS DE AUTOR O LOS CONTRIBUYENTES SERÁN RESPONSABLES POR ALGÚN DAÑO DIRECTO, INDIRECTO, INCIDENTAL, ESPECIAL, EJEMPLAR O CONSECUENCIAL (INCLUIDOS, ENTRE OTROS, EL APROVISIONAMIENTO DE MERCANCÍAS O SERVICIOS SUSTITUTOS, PÉRDIDA DE USO, DATOS O BENEFICIOS O INTERRUPCIÓN DE ACTIVIDADES COMERCIALES) QUE SIN EMBARGO SE PRODUJERAN Y CON BASE EN CUALQUIER TEORÍA DE RESPONSABILIDAD CIVIL, TANTO CONTRACTUAL, DE RESPONSABILIDAD ESTRICTA O EXTRACONTRACTUAL (INCLUIDA NEGLIGENCIA U OTRA) QUE SURJA DE CUALQUIER MANERA DEL USO DE ESTE SOFTWARE, INCLUSO SI SE ADVIRTIERA SOBRE LA POSIBILIDAD DE DICHO DAÑO.

# HOJA DE DATOS DE RENDIMIENTO

## Sistema interno de filtración de agua Modelo P9WB2L/P9RFWB2L Capacidad 200 galones (757 litros)



Sistema probado y certificado por NSF International según la norma NSF/ANSI 42, la norma NSF/ANSI 53 y la norma NSF/ANSI 401 para la reducción de las sustancias citadas a continuación.

Este sistema ha sido comprobado según las normas NSF/ANSI 42, 53 y 401 para la reducción de las sustancias citadas a continuación. La concentración de las sustancias indicadas en el agua que entra al sistema fue reducida a una concentración menor o igual al límite permitido para agua que sale del sistema, tal como se especifica en las normas NSF/ANSI 42, 53 y 401.

Reducción de sustancias Efectos estéticos	Concentración en el agua a tratar	Concentración de nivel máximo permisible de agua en el producto	% promedio de reducción
Sabor y olor a cloro	2.0 mg/L ± 10%	50% reducción	97,0%
Clase de partículas I*	Por lo menos 10.000 partículas/mL	85% reducción	>99,9%
Reducción de contaminantes	Concentración en el agua a tratar	Concentración de nivel máximo permisible de agua en el producto	% promedio de reducción
Plomo: a pH 6,5/a pH 8,5/	0,15 mg/L ± 10%	0,010 mg/L	>99,3% / 98,6%
Benceno	0,015 mg/L ± 10%	0,005 mg/L	93,8%
p-diclorobenceno	0,225 mg/L ± 10%	0,075 mg/L	99,8%
Carbofurano	0,08 mg/L ± 10%	0,040 mg/L	81,9%
Toxafén	0,015 ± 10%	0,003 mg/L	>95%
Atrazina	0,009 mg/L ± 10%	0,003 mg/L	87,0%
Asbestos	10 to 10fibers/L†	99%	>99%
Quistes vivos	50.000/L min.	99,95%	>99,99%
Turbiedad	11 NTU ± 10%	0,5 NTU	96,9%
Lindane	0,002 ± 10%	0,0002 mg/L	>99,2%
Tetracloroetileno	0,015 mg/L ± 10%	0,005 mg/L	96,6%
O-diclorobenceno	1,8 mg/L ± 10%	0,60 mg/L	92,3%
Etilbenceno	2,1 mg/L ± 10%	0,70 mg/L	86,9%
1,2,4 - Triclorobenceno	0,210 mg/L ± 10%	0,07 mg/L	>99,8%
2,4 - D	0,210 mg/L ± 10%	0,07 mg/L	88,5%
Estireno	2,0 mg/L ± 10%	0,1 mg/L	99,6%
Tolueno	3,0 mg/L ± 10%	1,0 mg/L	93,5%
Endrina	0,006 mg/L ± 10%	0,002 mg/L	81,7%
Atenolol	200 ± 20%	30 ng/L	95,7%
Trimetoprima	140 ± 20%	20 ng/L	96,1%
Linurón	140 ± 20%	20 ng/L	96,3%
Estrona	140 ± 20%	20 ng/L	95,3%
Nonilfenol	1400 ± 20%	200 ng/L	95,5%

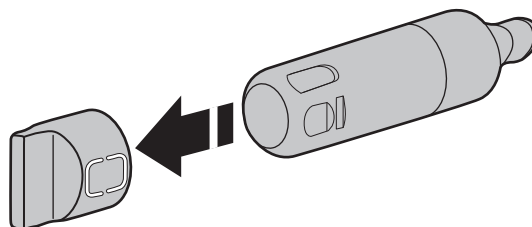
Parámetros de la prueba: pH = 7,5 ± 0,5 si no se indica lo contrario. Flujo = 0,75 gpm (2,84 Lpm). Presión = 60 lbs/pulg<sup>2</sup> (413,7 kPa). Temp. = 68°F a 71,6°F (20°C a 22°C). Capacidad nominal de servicio = 200 galones (757 litros).

Los compuestos certificados bajo NSF 401 se consideran como "compuestos emergentes/contaminantes incidentales". Los compuestos emergentes/contaminantes incidentales son aquellos compuestos que se detectaron en suministros de agua potable en niveles detectables. Mientras se dan solamente a niveles detectables, estos compuestos pueden afectar la aceptación/percepción pública de la calidad de agua potable.

- Es esencial que los requerimientos de operación, mantenimiento y reemplazo del filtro se lleven a cabo para que el producto se desempeñe tal como se ofrece en la publicidad. Si no se siguen todas las instrucciones pueden ocurrir daños a la propiedad.
- El cartucho desechable deberá cambiarse al menos cada 6 meses.
- Use el filtro de reemplazo P9RFWB2L, pieza #EDR2RXD1/EDR2RXD1B. El precio sugerido de venta al por menor durante el año 2015 es de \$49,99 en EE.UU./\$49,99 en Canadá. Los precios están sujetos a cambio sin previo aviso.
- El sistema monitor del filtro mide la cantidad de agua que pasa a través del filtro y le advierte cuándo es momento de cambiarlo. Vea la sección "Uso de controles" o "Sistema de filtración de agua" (en las Instrucciones de uso o la Guía del usuario) para aprender a revisar el estado del filtro del agua.
- Después de cambiar el filtro de agua, enjuague el sistema de agua. Vea "Despachadores de agua y hielo" y "despachadores de agua" en la Guía del usuario y en las Instrucciones de uso.
- Estos contaminantes no se encuentran necesariamente en su suministro de agua. Si bien se realizaron las pruebas en condiciones de laboratorio estándares, el desempeño actual puede variar.
- El producto es para uso con agua fría únicamente.
- El sistema de agua deberá instalarse conforme a las leyes y normas estatales y locales.
- No use con agua que no sea microbiológicamente segura o que sea de calidad desconocida sin desinfectarla adecuadamente antes o después del sistema. Pueden usarse sistemas certificados para la reducción de quistes en aguas desinfectadas que puedan contener quistes filtrables. EPA Est. N° 082047-TWN-001
- Consulte la sección "Garantía" (en las Instrucciones de uso o Guía del usuario) para conocer la garantía limitada de fabricante, junto con su nombre y número de teléfono.

### Pautas de aplicación/Parámetros para el suministro de agua

Suministro de agua	Municipal o de pozo potable
Presión de agua	30 - 120 lbs/pulg <sup>2</sup> (207 - 827 kPa)
Temperatura de agua	33° - 100°F (1° - 38°C)
Tasa de flujo de servicio	0,75 gpm (2,84 L/min.) a 60 lbs/pulg <sup>2</sup>



\*Tamaño de las partículas clase I: >0,5 a <1 um

†Basado en la filtración de quistes de *Cryptosporidium parvum*.

‡Fibras mayores de 10 um de longitud.

© NSF es una marca registrada de NSF International.

# GARANTÍA LIMITADA DEL REFRIGERADOR JENNAIR®

ADJUNTE SU RECIBO AQUÍ. SE REQUIERE LA PRUEBA DE COMPRA PARA OBTENER SERVICIO BAJO LA GARANTÍA.

Tenga a mano la siguiente información cuando llame al Centro para la eXperiencia del cliente:

- Nombre, dirección y número de teléfono
- Número de modelo y de serie
- Una descripción clara y detallada del problema
- Prueba de compra incluido el nombre y la dirección del distribuidor o vendedor

## SI NECESITA SERVICIO TÉCNICO:

1. Antes de contactarnos para obtener servicio, determine si el producto requiere reparación. Algunas consultas pueden atenderse sin servicio técnico. Tómese unos minutos para revisar la sección de Solución de problemas o Problemas y soluciones del Manual de uso y cuidado, o visite <https://jennair.custhelp.co>
2. Todos los servicios bajo la garantía los brindan exclusivamente Prestadores autorizados de servicio de JennAir. Para EE.UU. y Canadá, dirija todas las solicitudes de servicio bajo la garantía a:

**Centro para la eXperiencia del cliente de JennAir  
1-800-JENNAIR (1-800-536-6247).**

Si usted se encuentra fuera de los cincuenta Estados Unidos o Canadá, póngase en contacto con su distribuidor autorizado de JennAir para determinar si corresponde otra garantía.

## GARANTÍA LIMITADA DE DIEZ AÑOS

### LO QUE ESTÁ CUBIERTO

### LO QUE NO ESTÁ CUBIERTO

#### GARANTÍA LIMITADA DE DOS AÑOS (PIEZAS Y MANO DE OBRA)

Durante dos años a partir de la fecha de compra, siempre y cuando este electrodoméstico principal haya sido instalado, mantenido y operado según las instrucciones adjuntas o provistas con el producto, la marca JennAir de Whirlpool Corporation o Whirlpool Canada LP (en lo sucesivo denominado "JennAir") se hará cargo del costo de las piezas especificadas de fábrica y del trabajo de reparación para corregir defectos en los materiales o en la mano de obra existentes en el momento de la compra de este electrodoméstico principal o, a su sola discreción, reemplazará el producto. En el caso de reemplazar el producto, su electrodoméstico estará cubierto por la garantía por el tiempo restante del período de garantía de la unidad original.

#### GARANTÍA LIMITADA DEL TERCER AL QUINTO AÑO EN EL REVESTIMIENTO DE LA CAVIDAD Y EL SISTEMA DE REFRIGERACIÓN SELLADO (PIEZAS Y MANO DE OBRA)

Durante el tercer al quinto año desde la fecha de compra, cuando este electrodoméstico principal sea instalado, operado y mantenido de acuerdo a las instrucciones adjuntas o provistas con el producto, la marca JennAir pagará por las piezas de repuesto especificadas de fábrica y mano de obra de reparación para los siguientes componentes, para corregir defectos no estéticos de material y de mano de obra en esta pieza que evite el funcionamiento del refrigerador, y que haya existido en el momento de la compra de este electrodoméstico principal:

- Recubrimiento de la cavidad del refrigerador/congelador, si la pieza se quebrara debido a materiales defectuosos o mano de obra.
- Sistema de refrigeración sellado (incluye compresor, evaporador, condensador, secador y tubos conectores).

#### GARANTÍA LIMITADA DEL SEXTO AL DÉCIMO AÑO (ÚNICAMENTE EN EL SISTEMA DE REFRIGERACIÓN SELLADO MANO DE OBRA NO INCLUIDA)

Durante el sexto al décimo año desde la fecha de compra, cuando este electrodoméstico principal sea instalado, operado y mantenido de acuerdo a las instrucciones adjuntas o provistas con el producto, la marca JennAir pagará por las piezas de repuesto especificadas de fábrica para los siguientes componentes, para corregir defectos de material o de mano de obra en el sistema de refrigeración sellado (incluye compresor, evaporador, condensador, secador y tubos conectores), existentes en el momento de la compra de este electrodoméstico principal.

SU ÚNICO Y EXCLUSIVO RECURSO SEGÚN LOS TÉRMINOS DE ESTA GARANTÍA LIMITADA SERÁ EL DE REPARAR EL PRODUCTO SEGÚN SE ESTIPULA EN LA PRESENTE. El servicio deberá ser suministrado por una compañía de servicio designada por JennAir. Esta garantía limitada es válida solamente en Estados Unidos o en Canadá y se aplica solamente cuando el electrodoméstico principal se use en el país en el que se ha comprado. Esta garantía limitada entrará en vigor a partir de la fecha de la compra del consumidor original. Se requiere una prueba de la fecha de compra original para obtener servicio bajo esta garantía limitada.

1. Uso comercial, no residencial o familiar múltiple o uso diferente del indicado en las instrucciones del usuario, del operador o de instalación publicadas.
2. Instrucción a domicilio sobre cómo usar el producto.
3. Servicio para corregir el mantenimiento o la instalación incorrecta del producto, la instalación que no esté de acuerdo con los códigos eléctricos o de plomería o corrección de plomería o instalación eléctrica doméstica (por ejemplo, instalación eléctrica, fusibles o mangueras de entrada de agua del hogar).
4. Piezas de consumo (por ejemplo, focos de luz, baterías, filtros de agua o de aire, soluciones de conservación, etc.).
5. Defectos o daños causados por el uso de piezas o accesorios no legítimos de JennAir.
6. Daño causado por accidente, uso indebido, abuso, incendio, inundación, actos fortuitos o el empleo de productos no aprobados por JennAir.
7. Reparaciones a piezas o sistemas para corregir el daño o los defectos del producto a causa de reparaciones por servicio no autorizado, alteraciones o modificaciones en el electrodoméstico.
8. Daños estéticos, incluyendo rayaduras, abolladuras, desportilladuras u otro daño al acabado del electrodoméstico a menos que el mismo sea debido a defectos en los materiales o la mano de obra y se le informe a JennAir en un lapso de 30 días.
9. Decoloración, herrumbre u oxidación de las superficies producto de entornos corrosivos o cáusticos que incluyen, entre otras cosas, altas concentraciones de sal, humedad elevada o exposición a productos químicos.
10. Pérdida de comida o medicamentos debido a la falla del producto.
11. Recogida o entrega. Este producto está destinado para ser reparado en su hogar.
12. Gastos de viaje o de transporte para prestar servicio en lugares remotos en los cuales no haya disponible un técnico de servicio autorizado por JennAir.
13. Remoción o reinstalación de electrodomésticos en lugares inaccesibles o dispositivos empotrados (por ejemplo, adornos, paneles decorativos, pisos, armarios, islas, mostradores, paredes, etc.) que interfieran con el servicio, la remoción o el reemplazo del producto.
14. Servicio técnico o piezas para electrodomésticos con números de serie/modelo originales removidos, alterados o no identificados con facilidad.

**El costo de la reparación o del reemplazo bajo estas circunstancias excluidas correrá por cuenta del cliente.**

---

### **EXCLUSIÓN DE GARANTÍAS IMPLÍCITAS**

LAS GARANTÍAS IMPLÍCITAS, INCLUYENDO CUALQUIER GARANTÍA IMPLÍCITA DE COMERCIABILIDAD O GARANTÍA IMPLÍCITA DE CAPACIDAD PARA UN PROPOSITO PARTICULAR, SERÁN LIMITADAS A DIEZ AÑOS O AL PERÍODO MÁS CORTO PERMITIDO POR LEY. Algunos estados y provincias no permiten la limitación de la duración de las garantías implícitas de comerciabilidad o capacidad, de modo que la limitación arriba indicada quizá no le corresponda. Esta garantía le otorga derechos legales específicos y es posible que usted tenga también otros derechos que varían de un estado a otro o de una provincia a otra.

---

### **EXCLUSIÓN DE DECLARACIONES FUERA DE LA GARANTÍA**

JennAir no hace declaraciones acerca de la calidad, durabilidad o necesidad de servicio técnico o reparación de este electrodoméstico principal aparte de las declaraciones incluidas en esta garantía. Si usted desea una garantía con una duración más prolongada o más completa que la garantía limitada que se incluye con este electrodoméstico principal, deberá dirigirse a JennAir o a su distribuidor acerca de la compra de una garantía extendida.

---

### **LIMITACIÓN DE RECURSOS; EXCLUSIÓN DE DAÑOS INCIDENTALES Y CONSECUENTES**

SU ÚNICO Y EXCLUSIVO RECURSO SEGÚN LOS TÉRMINOS DE ESTA GARANTÍA LIMITADA SERÁ EL DE REPARAR EL PRODUCTO SEGÚN SE ESTIPULA EN LA PRESENTE. JENNAIR NO SE RESPONSABILIZARÁ POR DAÑOS INCIDENTALES O CONSECUENTES. Algunos estados y provincias no permiten la exclusión o limitación de daños incidentales o consecuentes, de modo que estas limitaciones y exclusiones quizás no le correspondan. Esta garantía le otorga derechos legales específicos y es posible que usted tenga también otros derechos que varían de un estado a otro o de una provincia a otra.

---

08/17