

This Data Sheet Includes Information On

**Jenn-Air**

Product Model Number (s):

Hoods:  
 UXT2030AAB, UXT2030AAW, UXT2030AAS and  
 UXT2030AAQ

Dimensions (Actual Size)

Width: 30"

Height : 6"

Top Depth: 12"

Bottom Depth: 17 1/2"

Dimension from back to center  
 line of top power supply hole: 2"

Dimension from top to center line  
 of back power supply hole: 3/4"

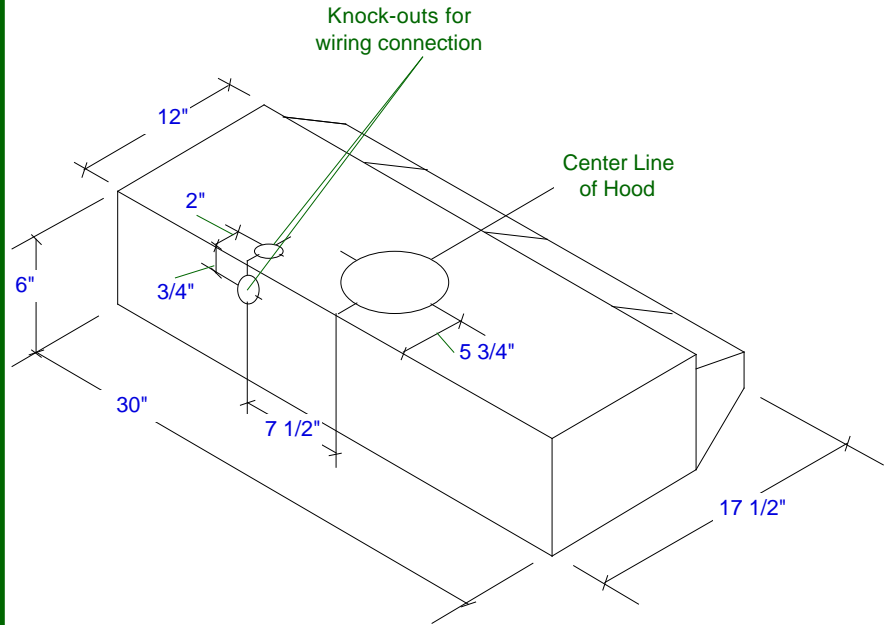
Dimension from hood center line to  
 center line of power supply holes: 7 1/2"

Dimension from back to  
 centerline of exhaust outlet: 5 3/4"

Additional Information

- Electrical Requirements: 120V, 60Hz, 2.2amps.
- For most efficient operation, the top of the hood should be 66" from the floor.
- Unit can be vented vertically by 6" round duct (or larger round duct).
- Vertical 6" round rating discharge is 190CFM.

View is looking at the Rear Top of the Unit  
 (not to scale)



Subject to change without notice. This system is designed to be updated daily if necessary. Dimension Express is not responsible for use of superseded, voided, or outdated data sheets. Because of the difficulty or impracticability of determining actual damages, liability of Dimension Express shall not exceed \$50.00.

Copyright © Dimension Express, 2002.

217

• NEVER reuse Data Sheets. Data Sheets are subject to change without notice. Dimension Express is a FREE service bureau and is updated daily, it makes far more sense to spend the time necessary to request new Data Sheets for each project, as opposed to the problems, time, costs, and risks associated with reusing old Data Sheets.

- Call Dimension Express if you have any questions at (775) 833-3633 •
- Always refer to a current Code at a Glance or manufacturer directory •
- Data Sheet codes change on the first of odd numbered months at 12:01am •

BN110 • A217 • 032603 • 95657 • 43057