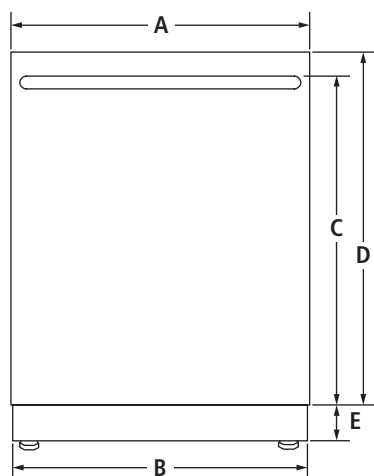


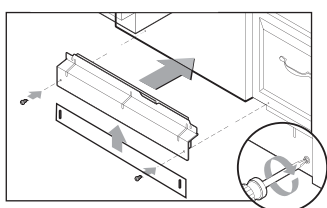
DISHWASHERS

JDB8700AW, JDB8200AW, JDB8000AW – 23³/₄" x 33⁷/₈" x 26⁷/₈"

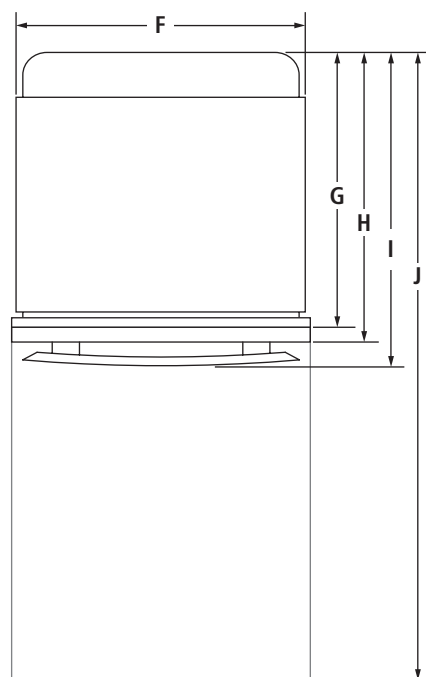
PRODUCT DIMENSIONS



FRONT VIEW



ADJUSTABLE TOE KICK



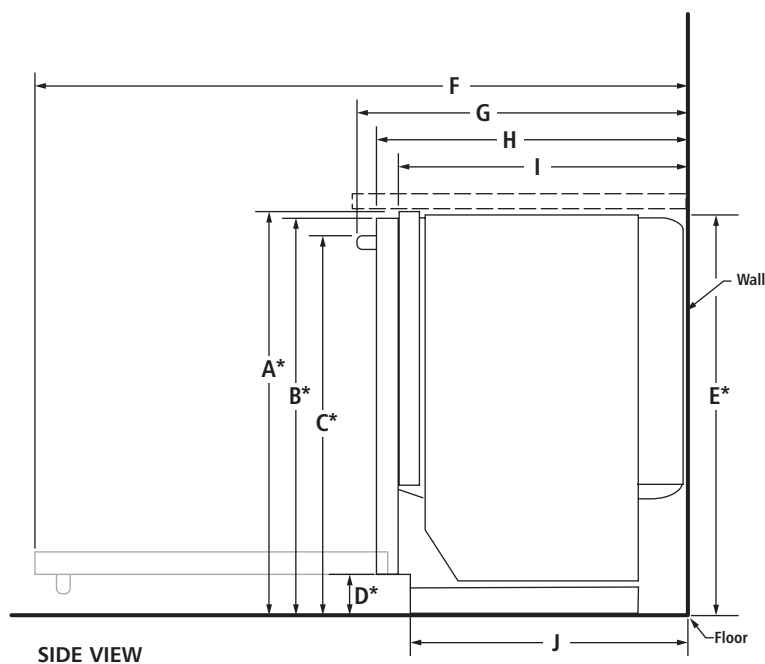
TOP VIEW

MODEL #		JDB8700AW JDB8200AW JDB8000AW	
		in	cm
A	Width of door	23 ¹ / ₂	59.7
B	Width of toe kick	23 ¹ / ₂	59.6
C	Height to top of handle Pro-Style® Stainless	29 ¹ / ₈	73.9
	Euro-Style (color-coordinating)	27 ⁷ / ₈	70.8
D	Height of door	30	76.3
E	Height of adjustable toe kick (min.-max.)	3 ¹ / ₂ -4 ¹ / ₈	8.9-10.5
F	Width of recessed dishwasher	23 ³ / ₄	60.4
G	Depth with tub flange	22 ⁵ / ₈	57.4
H	Depth with door	24 ⁵ / ₈	62.6
I	Depth with handle Pro-Style® Stainless	27 ⁷ / ₈	70.8
	Euro-Style (color-coordinating)	26 ⁷ / ₈	68.3
J	Depth with door fully open	49 ³ / ₄	126.3

DISHWASHERS

JDB8700AW, JDB8200AW, JDB8000AW – 23³/₄" x 33⁷/₈" x 26⁷/₈"

DIMENSIONS AS INSTALLED



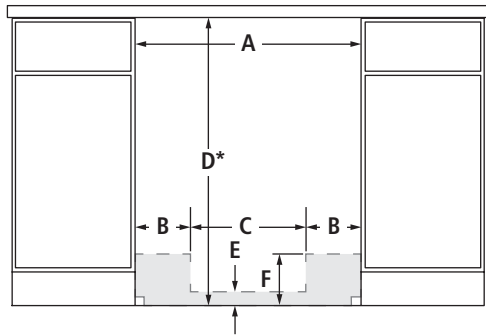
MODEL #	JDB8700AW JDB8200AW JDB8000AW	
	in	cm
A*	Height to top of tub flange (min.)	33 ⁷ / ₈ 86.0
B*	Height to top of door (min.)	33 ³ / ₄ 85.7
C*	Height to top of handle (min.) Pro-Style® Stainless	31 ³ / ₄ 80.6
	Euro-Style (color-coordinating)	31 ¹ / ₂ 80.1
D*	Height to bottom of door	3 ⁵ / ₈ 9.4
E*	Height of recessed dishwasher (min.)	33 ⁵ / ₈ 85.5
F	Depth with door fully open (min.)	49 ³ / ₄ 126.3
	Depth with handle (min.) Pro-Style® Stainless	27 ⁷ / ₈ 70.8
G	Euro-Style (color-coordinating)	26 ⁷ / ₈ 68.3
	H	Depth with door (min.)
I	Depth with tub flange (min.)	22 ⁵ / ₈ 57.4
J	Depth with toe kick (min.)	20 ⁷ / ₈ 52.9

*With wheels removed. Add up to 5/8" (1.6 cm) to height with wheels and leg levelers fully extended.

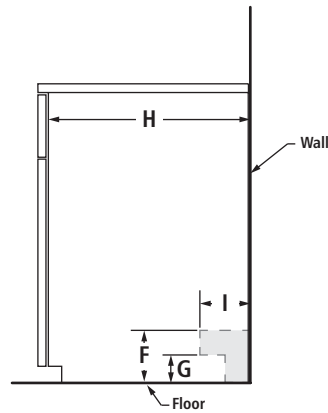
DISHWASHERS

JDB8700AW, JDB8200AW, JDB8000AW – 23³/₄" x 33⁷/₈" x 26⁷/₈"

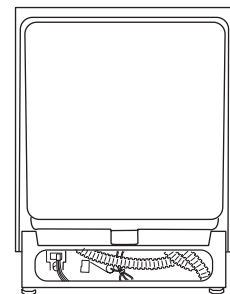
OPENING/CLEARANCE DIMENSIONS



FRONT VIEW



SIDE VIEW



BACK VIEW

MODEL #	JDB8700AW JDB8200AW JDB8000AW	
	in	cm
A Width (min.)	24	61.0
B Width of possible utility installation area (back wall)	6 ³ / ₄	17.2
C Width of clear area (back wall)	10 ¹ / ₂	26.7
D* Height with wheels removed (min.)	33 ⁷ / ₈	86.0
E Height of possible utility installation area (back wall)	2 ¹ / ₂	6.4
F Height of possible utility installation area (back/side wall)	6 ¹ / ₄	15.9
G Height of clear area (side wall)	3	7.6
H Depth (min.)	24	61.0
I Depth of utility location (side wall)	4	10.2

Electrical, water and drain connections may be installed in shaded areas

Recommended drain connection location – closest to sink	1 ¹ / ₂ dia.	3.8 dia.
Recommended electrical connection location – right-hand side or back wall	1 ¹ / ₂ dia.	3.8 dia.
Recommended water connection location – left-hand side or back wall	1/2 dia.	1.3 dia.

*Measured from the lowest point on the underside of countertop.

ELECTRICAL REQUIREMENTS

120 volt, 60 Hz, AC only, 15- or 20-amp fused, grounded circuit is required. A dedicated circuit is recommended. Use an outlet that cannot be turned off by a switch. Do not use an extension cord.

WATER SUPPLY REQUIREMENTS

120°F (49°C) hot water supply with water pressure between 20 and 120 psi (138 and 862 kPa) is required. If you have questions about your water pressure, call a licensed, qualified plumber.

DRAIN REQUIREMENTS

Connect drain hose to waste tee or disposer inlet above drain trap. Maximum drain hose length 12' (3.7 m).

LOCATION REQUIREMENTS

Corner locations require a 2" (5.1 cm) minimum clearance between the side of the dishwasher door and the wall or cabinet.