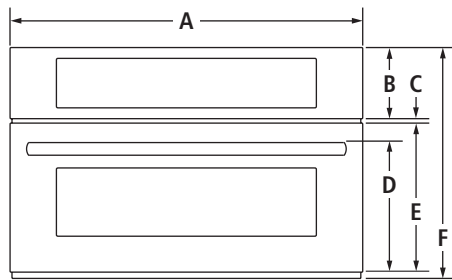


BUILT-IN MICROWAVE OVENS

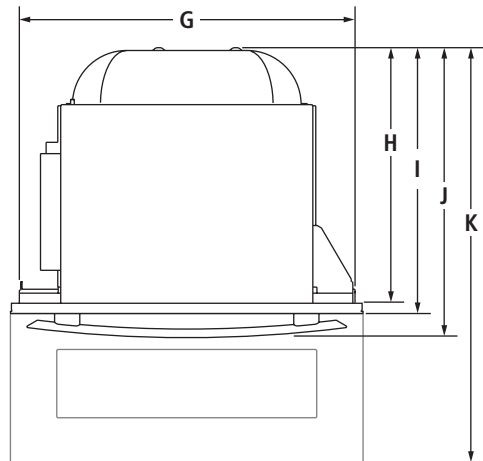
JMC2430W, JMC2130W – 29¾" x 19½" x 24½"

JMC2127W – 26¾" x 19½" x 24½"

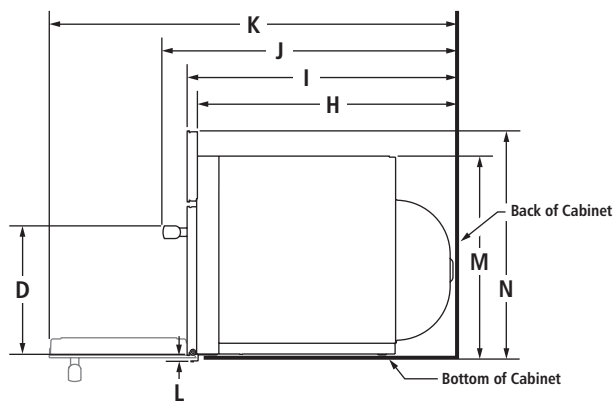
PRODUCT DIMENSIONS



FRONT VIEW



TOP VIEW



SIDE VIEW

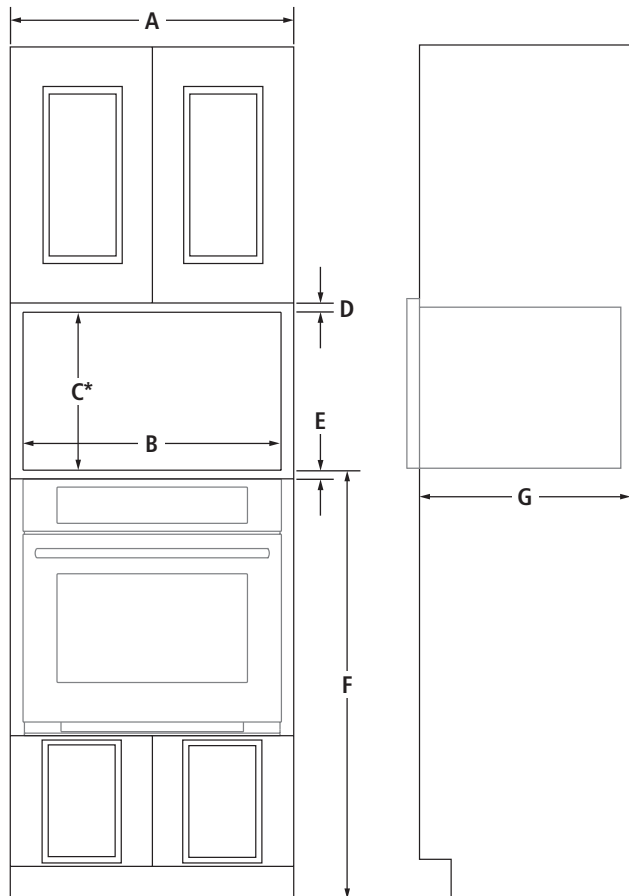
MODEL #		JMC2430W JMC2130W		JMC2127W	
		in	cm	in	cm
A	Overall width Pro-Style® Stainless	29¾	75.6	—	—
	Euro-Style Stainless or Oiled Bronze	29¾	75.6	26¾	67.9
	Floating Glass	29⅝	75.3	—	—
B	Height of control panel	6	15.2	6	15.2
C	Space between control panel and door	⅜	1.0	⅜	1.0
D	Height to top of handle Pro-Style® Stainless	11¼	28.5	—	—
	Euro-Style (color-coordinating)	11	27.8	11	27.8
E	Height of door	12⅝	31.9	12⅝	31.9
F	Overall height	19½	49.4	19½	49.4
G	Width of recessed oven	28⅞	72.0	25⅞	64.3
H	Depth of recessed oven	21½	54.5	21½	54.5
I	Depth with door	22½	57.0	22½	57.0
J	Depth with handle Pro-Style® Stainless	25	63.3	—	—
	Euro-Style (color-coordinating)	24½	62.1	24½	62.1
K	Depth with door fully open	34¼	86.9	34¼	86.9
L	Height of trim	½	1.3	½	1.3
M	Height of recessed oven	16¾	42.5	16¾	42.5
N	Height to top of control panel	19	48.1	19	48.1

BUILT-IN MICROWAVE OVENS

JMC2430W, JMC2130W – 29¾" x 19½" x 24½"

JMC2127W – 26¾" x 19½" x 24½"

OPENING/CLEARANCE DIMENSIONS



FRONT VIEW – INSTALLATION OVER SINGLE OVEN

SIDE VIEW

Approved models: JJW3430W, JJW2430W, JJW2330W, JJW2427W, JJW2327W

MODEL #	JMC2430W JMC2130W		JMC2127W	
	in	cm	in	cm
A Width of cabinet (min.)	30	76.2	27	68.6
B Width of cutout	28½	72.4	25½	64.8
C* Height of cutout	17-18¼	43.2-46.4	17-18¼	43.2-46.4
D Top of cutout to bottom of upper cabinet (min.)	1	2.5	1	2.5
E Bottom of cutout to top of single oven (min.)	1	2.5	1	2.5
	1½	3.8	1½	3.8
F Bottom of cutout to floor (recommended)	40	101.6	40	101.6
G Depth of cutout (min.)	21⅞	55.5	21⅞	55.5

*Optional spacer kits are available for a cutout height of 18¼"-19⅜" (46.4-49.4 cm).

ELECTRICAL REQUIREMENTS

JMC2430W: 240 volt, 20-amp fused, grounded circuit is required. A dedicated circuit is recommended.

The length of conduit provided is for serviceability. Do not cut the conduit. The junction box should be located 3" (7.6 cm) maximum below the support surface. Drill a 1¼" (3.4 cm) minimum diameter hole in the left rear corner of the support surface for access to the junction box.

If the junction box is on the rear wall behind the oven, it must be recessed and located in any corner of the cabinet.

JMC2130W and JMC2127W: 120 volt, 60 Hz, AC only, 15- or 20-amp fused, grounded electrical circuit is required. A time-delay fuse or dedicated circuit is recommended.

A grounded 3-prong outlet should be located in the upper cabinet. Do not use an extension cord.

LOCATION REQUIREMENTS

Support structure must be able to support 90 lb (41.0 kg) including microwave oven and contents.