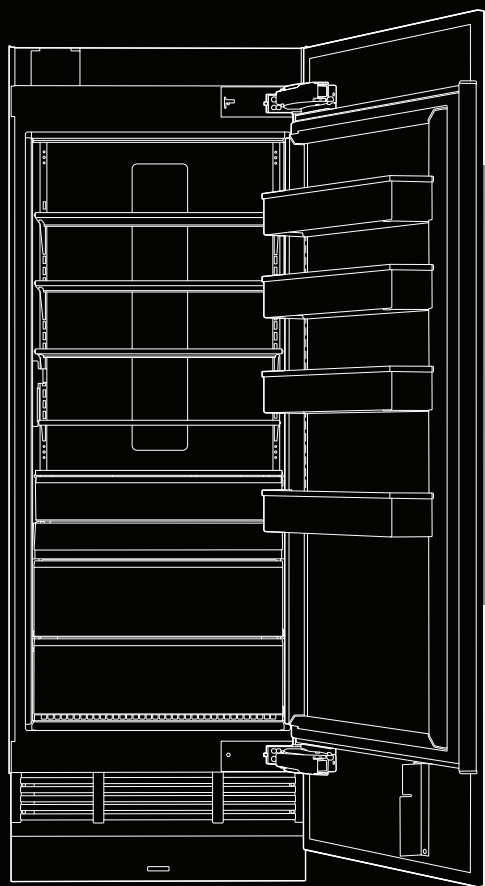


**USE AND CARE GUIDE**  
**COLUMN REFRIGERATION**  
**GUIDE D'UTILISATION ET D'ENTRETIEN**  
**RÉFRIGÉRATION COLONNE**



**JENNAIR®**



# INTRODUCTION

## SAFETY

### Your safety and the safety of others are very important.

We have provided many important safety messages in this manual and on your appliance. Always read and obey all safety messages.



This is the safety alert symbol.

This symbol alerts you to potential hazards that can kill or hurt you and others.

All safety messages will follow the safety alert symbol and either the word “DANGER” or “WARNING.”

These words mean:

**⚠ DANGER**

**You can be killed or seriously injured if you don't immediately follow instructions.**

**⚠ WARNING**

**You can be killed or seriously injured if you don't follow instructions.**

All safety messages will tell you what the potential hazard is, tell you how to reduce the chance of injury, and tell you what can happen if the instructions are not followed.

### IMPORTANT SAFETY INSTRUCTIONS

**WARNING:** To reduce the risk of fire, electric shock, or injury when using your refrigerator, follow these basic precautions:

- To avoid a hazard due to instability of the appliance, it must be fixed in accordance with the instructions.
- Installation shall be performed only by manufacturer, or an authorized agent.
- Plug into a grounded 3 prong outlet.
- Do not remove ground prong.
- Do not use an adapter.
- Do not use an extension cord.
- Disconnect power to all units before servicing.
- If the SUPPLY CORD is damaged, it must be replaced by the manufacturer, its service agent or similarly qualified person in order to avoid a hazard.
- Replace all parts and panels before operating.
- Remove doors from your old refrigerator.
- Connect to a potable water supply only.
- Use nonflammable cleaner.
- Keep flammable materials and vapors, such as gasoline, away from refrigerator.
- Do not store explosive substances such as aerosol cans with a flammable propellant in this refrigerator.
- Use two or more people to move and install refrigerator.
- Disconnect power before installing ice maker (on ice maker kit ready models only).
- Use a sturdy glass when dispensing ice (on some models).
- Do not hit the refrigerator glass doors (on some models).
- This appliance is not intended for use by persons (including children) with reduced physical, sensory or mental capabilities, or lack of experience and knowledge, unless they have been given supervision or instruction concerning use of the appliance by a person responsible for their safety.
- Children should be supervised to ensure that they do not play with the appliance.
- This refrigerator is intended to be used in household and similar applications such as:
  - staff kitchen areas in shops, offices, and other working environments
  - farm houses and by clients in hotels, motels, and other residential type environments
  - bed and breakfast type environments
  - catering and similar non-retail applications

**SAVE THESE INSTRUCTIONS**

# INTRODUCTION

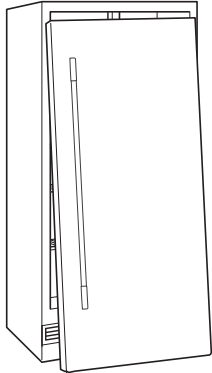
## PROPER DISPOSAL OF YOUR OLD REFRIGERATOR

### **⚠️ WARNING**

#### **Suffocation Hazard**

**Remove doors from your old refrigerator.**

**Failure to do so can result in death or brain damage.**



**IMPORTANT:** Do your part to prevent accidental child entrapment and suffocation by properly disposing of your old refrigerator or freezer.

### **BEFORE YOU THROW AWAY YOUR OLD REFRIGERATOR OR FREEZER:**

- Take off the doors.
- Leave the shelves in place so children may not easily climb inside.

### **Important information to know about disposal of refrigerants:**

Dispose of refrigerator in accordance with Federal and Local regulations. Refrigerants must be evacuated by a licensed, EPA certified refrigerant technician in accordance with established procedures.

# INTRODUCTION

## REGISTERING YOUR APPLIANCE

Gain access to our concierge-level Customer Support by registering your appliance. We make product registration simple and straightforward so you can start using your exclusive JennAir benefits today.

Registering your appliance allows you to:

- **Streamline your warranty service**  
If we have your appliance information, we can help you faster.
- **Protect your purchase**  
In case of an insurance loss—such as fire, flood, or theft—your product registration could serve as a proof of purchase.
- **Keep your family safe**  
We'll notify you in the rare case of a safety notification.

Start taking advantage of these benefits today by going online to register your appliance at <https://register.jennair.com>.

## PRODUCT IDENTIFICATION

Your product identification, which includes the model and serial numbers, is listed on the product rating plate.

Recording this information below allows us to assist you more easily if your appliance should ever require service from one of our JennAir® Authorized Service Providers.

**Model Number:** \_\_\_\_\_

**Serial Number:** \_\_\_\_\_

**Date of Installation:** \_\_\_\_\_

**Authorized Dealer:** \_\_\_\_\_

**Authorized Dealer Phone #:** \_\_\_\_\_

# TABLE OF CONTENTS

## INTRODUCTION

Safety .....	3
Proper Disposal of Your Old Refrigerator .....	4
Registering Your Appliance .....	5
Product Identification .....	5
Product Features.....	6
Refrigerator Controls.....	8
Freezer Controls.....	10

## GETTING STARTED

Before Use.....	12
Smart Features.....	12
Smart Grid.....	13
Automatic Setup (WPS).....	14
Manual Setup (First-Time Use) .....	16
Shelves.....	17
Deli/Crisper Drawers.....	17

## CARE AND CLEANING

Cleaning .....	18
Leather Panel Care.....	18
Vacation Care.....	19
Power Interruptions .....	19
Replacing The Water Filter.....	20

## TROUBLESHOOTING

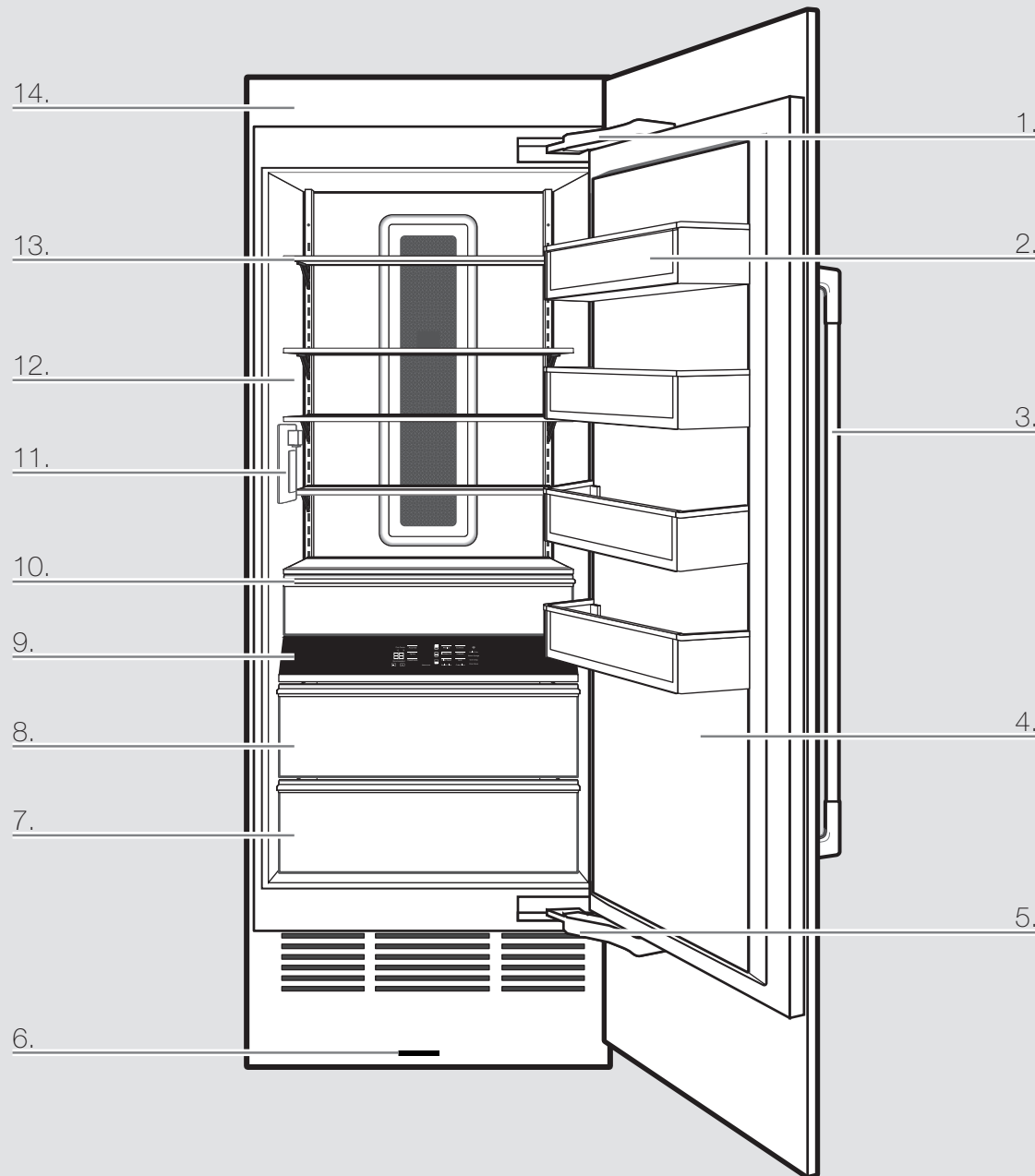
Operation.....	22
Temperature And Moisture.....	23
Ice And Water.....	23
Lights.....	24

## ASSISTANCE

Contact.....	25
In The U.S.A. ....	25
In Canada.....	25
Accessories .....	25
Connected Appliance Regulatory Notices.....	26
Performance Data Sheet.....	28
Warranty.....	30

TABLE DES MATIÈRES.....	35
-------------------------	----

# INTRODUCTION



## PRODUCT FEATURES

- 1. Fully Integrated and Flush Design with Articulating Hinge**  
Creates an integrated appearance with custom cabinets without exposed hinges or trim pieces.
- 2. Adjustable Aluminum and Glass Door Bins**  
Make it easy to customize storage according to your preferences, providing quick access to frequently used items. Refrigerator and freezer door bins can be positioned to accommodate a variety of container sizes.
- 3. Custom Overlay Design**  
Ships with factory-installed doors. To create a finished refrigerator, customers must purchase either custom overlay panels and handles from a cabinet manufacturer, or a JennAir® suite-coordinating panel kit.
- 4. Obsidian Interior**  
Showcases food items throughout the refrigerator or freezer, and provides a sharper contrast than white interiors.
- 5. 90°/115° Door Stop Position**  
Provides options to ensure ample clearance between the open door and adjacent cabinetry.
- 6. Wi-Fi Connectivity**  
This refrigerator can connect with in-home Wi-Fi to provide remote control through the JennAir® App, available to download for use with either iOS or Android devices.

## 7. Soft, Auto-Close Crisper Drawers

Provide smooth operation by rolling open even when fully loaded, and feature an innovative auto-close design that pulls the drawer closed.

## 8. Electronic Temperature-Controlled Crisper Drawer (Refrigerator)

Drawer slides open effortlessly, even when fully loaded, with soft, self-close glides.

Two temperature presets are available on the interior control to keep items at the optimal temperature. You can choose from following:

- Produce: 39°F (3.9°C)
- Assorted: 37°F (2.8°C)

## 9. Capacitive Touch Controls with LED Display

The touch panel houses the control menu and function controls. The touch keypads are very sensitive and only require a light touch. The controls are located in the midsection of each column for easy access.

## 10. Electronic Temperature-Controlled Deli Drawer (Refrigerator)

Deli slides open effortlessly, even when fully loaded, with soft, self-close glides.

Five temperature presets are available on the interior control to keep items at the optimal temperature. You can choose from following:

- Produce: 39°F (3.9°C)
- Assorted: 37°F (2.8°C)
- Beverage: 34°F (1°C)
- Deli: 33°F (0.6°C)
- Meat: 32°F (0°C)

## Electronic Temperature-Controlled Deli Drawer (Freezer)

Three temperature presets are available on the interior control to keep items at the optimal temperature. You can choose from following:

- Assorted: 0°F (-17.8°C)
- Spirits: -2°F (-18.9°C)
- DeepFreeze: -8°F (-22.2°C)

## 11. Water Dispenser (Refrigerator)

Allows you to dispense filtered water.

## 12. Interior Perimeter LED Theater Lighting

Perimeter LED lighting elegantly ramps up to full brightness when the door or interior drawers are opened, increasing visibility by minimizing shadows caused by top lighting. Selecting a cooling zone on the control panel causes the lighting in the same zone to pulse.

## 13. Adjustable Clear Glass Shelves

Tint-free, clear glass shelves that offer an open, refined look that makes food and beverages easy to see and locate. Glass shelves complement the LED lighting for exceptional clarity that allows more light to fill the interior.

## 14. EveryDrop® Filter

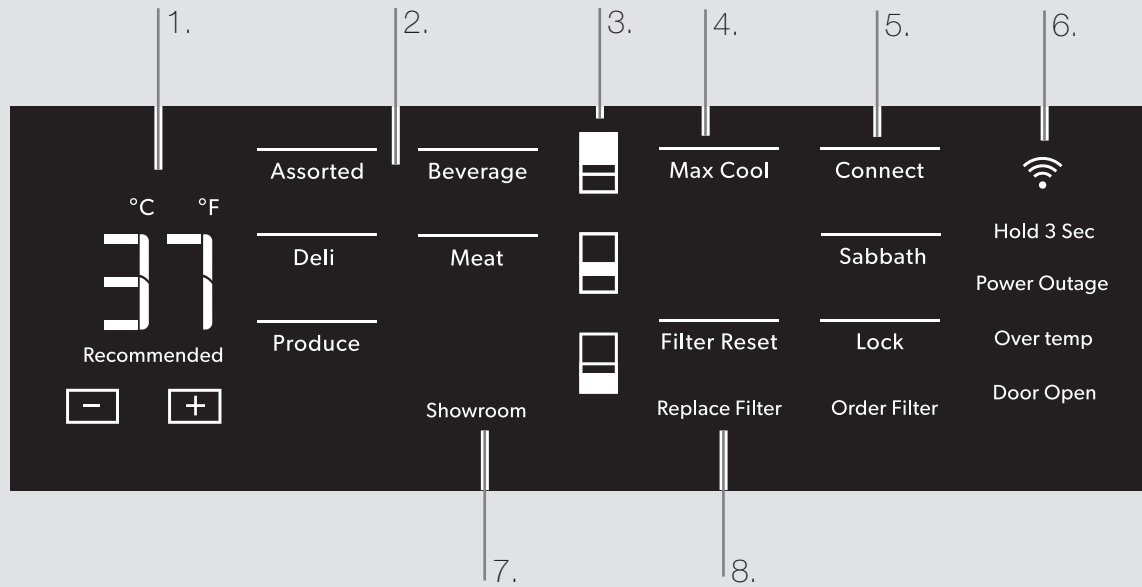
EveryDrop® water filters are NSF®† certified to reduce most contaminants, including chlorine taste and odor, lead, pesticides, and trace amounts of pharmaceuticals. EveryDrop® brand filters are the only filters tested and certified for your refrigerator system. Replace your EveryDrop® filter every 6 months for maximum contaminant reduction.

## 15. Automatic Ice Maker (Freezer)

Ensures a continuous supply of fresh ice cubes made from filtered water.

†NSF is a registered trademark of NSF International.

# INTRODUCTION



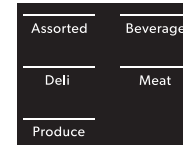
## REFRIGERATOR CONTROLS

### 1. Viewing and Adjusting Temperature



When you first install your refrigerator, make sure that the control is still set to the recommended setting. The factory-recommended temperature is 37°F (3°C). Touch - or + to select a temperature setting. Press and hold - and + to change display from Fahrenheit to Celsius.

### 2. Activate Temperature Mode for Refrigerator Deli Drawer



Touch Assorted, Beverage, Deli, Meat, or Produce to select a zone temperature setting.

### 3. Cooling Zones

Select features of your refrigerator are tied to the perimeter lighting.



Press a zone key to light the corresponding zone in your refrigerator.



## 4. Max Cool

### Max Cool

The Max Cool feature assists with periods of high refrigerator use, full grocery loads, or temporarily warm room temperatures. Press MAX COOL to activate Max Cool. After the Max Cool cycle completes, the refrigerator will return to its previous setting.

## 5. Connect

### Connect

Wi-Fi connectivity allows your Smart Refrigerator to connect to the Internet and interact with the JennAir® App from your smartphone or mobile device. See the “Automatic Setup—Wi-Fi Protected Setup (WPS)” section for more information.

## Sabbath

### Sabbath

Allows the door of the refrigerator to be opened or closed during the Sabbath or other religious holidays without activating the interior lights or controls. Press and hold Sabbath for 3 seconds to activate Sabbath mode.

## Lock

### Lock

The control panel can be locked for easy cleaning or to avoid unintentional mode changes.

## 6. Power Outage

### Power Outage

The Power Outage indicator lets you know if the power supply to the refrigerator has been off and the temperature has risen.

## Over temp Alarm

### Over temp

Helps avoid food spoilage and high energy costs by sounding an alert when refrigerator temperatures remain at unusually high levels.

## Door Open

### Door Open

The Door Open alarm feature sounds an alarm when the refrigerator door(s) or freezer door is open for 5 minutes and cooling is turned on. The alarm will repeat every 2 minutes. Close the door to turn the alarm and “Door Open” alert off. To stop the alarm noise with the door open, press any key.

## 7. Showroom

### Showroom

This mode is used when the refrigerator is on display in a retail store or if you want to turn the cooling off and deactivate all other functions except interior lighting.



To activate showroom mode, press and hold top and bottom zone icons simultaneously for 3 seconds.



To deactivate the showroom mode, press and hold top and bottom zone icons simultaneously for 3 seconds.



## 8. Filter Reset

### Filter Reset

Displays the status of the water filter. To reset the filter, press and hold FILTER RESET for 3 seconds. After countdown, the “Replace Filter” indicator will turn off.

## Replace Filter

### Replace Filter

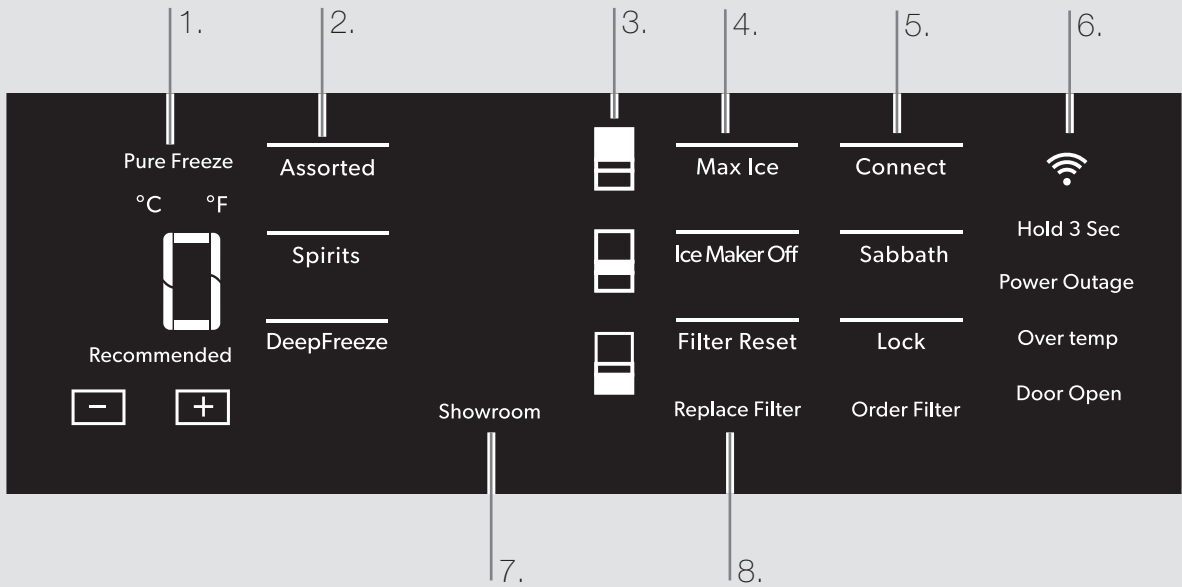
Replace the water filter. While you are dispensing water, the “Replace Filter” icon will flash constantly from beginning to the end of dispensing. After 14 days without replacing the water filter, the “Replace Filter” icon will blink seven times and an alert tone will sound three times at the end of dispensing. See the “Water Filtration System” section. **NOTE:** “Replace Filter” will remain illuminated if a filter reset is not completed.

## Order Filter

### Order Filter

Order a replacement water filter.

# INTRODUCTION



## FREEZER CONTROLS

### 1. Pure Freeze® Feature

**Pure Freeze** Pure Freeze® feature is activated automatically when the freezer is at its lowest setting. The Pure Freeze® setting reduces freezer burn.

### Viewing and Adjusting Temperature



When you first install your freezer, make sure that the control is still set to the recommended temperature. The factory recommended setting is -2°F (19°C) for the freezer.

Touch - or + to select a temperature setting.

### 2. Activate Temperature Mode for Freezer Deli Drawer



Touch Assorted, Spirits, or DeepFreeze to select a zone temperature setting.

### 3. Cooling Zones



Select features of your freezer are tied to the perimeter lighting. Press the zone keys to light the corresponding zones in your freezer.

## 4. Max Ice

### Max Ice

The Max Ice Setting increases the freezer cooling capacity improving the ice making rate.

### Ice Maker Off

#### Ice Maker Off

To turn the ice maker off, touch ICE MAKER OFF.

## 5. Connect

### Connect

Wi-Fi connectivity allows your Smart Freezer to connect to the Internet and interact with the JennAir® App from your smartphone or mobile device. See the “Automatic Setup—Wi-Fi Protected Setup (WPS)” section for more information.

### Sabbath

#### Sabbath

Allows the door of the freezer to be opened or closed during the Sabbath or other religious holidays without activating the interior lights or controls. Press and hold Sabbath for 3 seconds to activate Sabbath mode.

### Lock

#### Lock

The dispenser can be locked for easy cleaning or to avoid unintentional dispensing.

## 6. Power Outage

### Power Outage

The Power Outage indicator lets you know if the power supply to the freezer has been off and the freezer temperature has risen.

### Over temp Alarm

#### Over temp

Helps avoid food spoilage and high energy costs by sounding an alert when freezer temperatures remain at unusually high levels.

### Door Open

#### Door Open

The Door Open alarm feature sounds an alarm when the refrigerator door(s) or freezer door is open for 5 minutes and cooling is turned on. The alarm will repeat every 2 minutes. Close the door to turn the alarm and “Door Open” alert off. To stop the alarm noise with the door open, press any key.

## 7. Showroom

### Showroom

This mode is used when the freezer is on display in a retail store or if you want to turn the cooling off and deactivate all other functions except interior lighting.



To activate showroom mode, press and hold top and bottom zone icons simultaneously for 3 seconds.



To deactivate the showroom mode, press and hold top and bottom zone icons simultaneously for 3 seconds.



## 8. Filter Reset

### Filter Reset

Displays the status of the water filter. To reset the filter, press and hold FILTER RESET for 3 seconds. After countdown, the “Replace Filter” indicator will turn off.

### Replace Filter

#### Replace Filter

Replace the water filter. While you are dispensing water, the “Replace Filter” icon will flash constantly from beginning to the end of dispensing. After 14 days without replacing the water filter, the “Replace Filter” icon will blink seven times and an alert tone will sound three times at the end of dispensing. See the “Water Filtration System” section.

**NOTE:** “Replace Filter” will remain illuminated if a filter reset is not completed.

### Order Filter

#### Order Filter

Order a replacement water filter.

# GETTING STARTED

## BEFORE USE

Before using your refrigerator, all packaging materials should be removed and the interior should be cleaned.

- Remove tape and glue residue from surfaces before turning on the refrigerator. With your fingers, rub a small amount of liquid dish soap over any adhesive and wipe with warm water to remove.
- Do not use sharp instruments, rubbing alcohol, flammable fluids, or abrasive cleaners to remove tape or glue. These can damage the surfaces of your refrigerator.
- Dispose of and/or recycle all packaging materials.
- After all packaging materials have been removed, clean the inside of your refrigerator.
- Flush 3 gallons (11.4 L) of water through the water system to clear air from the water line and to keep the dispenser from dripping and/or avoiding decreased dispenser flow.

**NOTE:** If the filter is not installed correctly, water may dispense at a lower flow rate and there will be slower ice production. Improper filter installation may also cause the water filter housing to leak.

## SMART FEATURES

Smart Features help make your every day a little more efficient by letting you remotely monitor, manage, and maintain your refrigerator.

### REMOTE TEMPERATURE CONTROL

**What it does:** Allows you to control the temperature of your refrigerator remotely from your mobile device via the JennAir® App.

**What it does for you:** Lets you control temperatures in your refrigerator, freezer, and temp-controlled pantry remotely—not just when you are standing in front of it.

### WATER FILTER STATUS

**What it does:** Gives you a look at the life remaining for your air and water filters before a replacement is needed.

**What it does for you:** Helps you be more efficient in planning for, ordering, and replacing filters.

### AUTO REORDER

**What it does:** Allows you to order replacement filters, consumables, and accessories via the JennAir® App for delivery directly to your home.

**What it does for you:** Simplifies ordering correct water and air filters—no trips to the store and searching for the correct filters.

### OVER TEMPERATURE

**What it does:** Sends you a notification when the temperature in your refrigerator reaches and rises above a specified value in the refrigerator and freezer compartments.

**What it does for you:** Alerts you to over-temperature status to provide input regarding disposition of refrigerator/freezer contents.

### MAX COOL—REFRIGERATOR

**What it does:** Allows you to control your refrigerator remotely from your mobile device via the JennAir® App.

**What it does for you:** Lets you turn on/off Max Cool options remotely to make temperatures colder in the refrigerator in anticipation of loading newly purchased grocery items.

### MAX ICE—FREEZER

**What it does:** Allows you to control your freezer remotely from your mobile device via the JennAir® App.

**What it does for you:** Makes fresh-tasting ice to accommodate your entertainment needs - up to 4 pounds in 24 hours.

### PURE FREEZE® MODE

**What it does:** Allows you to receive status of your refrigerator remotely to your mobile device via the JennAir® App.

**What it does for you:** Indicates when temperatures are adjusted down to a deep freeze level to reduce freezer burn and helps frozen items maintain their appearance and taste.

# GETTING STARTED

## SMART FEATURES (CONT.)

### SABBATH MODE

**What it does:** Allows the door of the refrigerator or freezer to be opened or closed during the Sabbath or other religious holidays without activating the interior lights or controls. Allows you to turn on and off remotely from your mobile device via the JennAir® App.

**What it does for you:** Lets you turn on/off Sabbath mode options remotely.

### DOOR OPEN ALERT

**What it does:** Sends you a notification when the door of the appliance has been left open.

**What it does for you:** Alerts you to door ajar status so you can close the door(s) or call home to ask someone else to close the door before an over-temp situation arises.

### POWER OUTAGE

**What it does:** Sends you a notification when power to your refrigerator goes out, returns, or highest temperature is reached.

**What it does for you:** Alerts you to power status and disposition of the appliance contents.

## SMART GRID

This product has WiFi capability and requires Internet connectivity and a wireless router to enable interconnection with an Energy Management System, and/or with other external devices, systems, or applications.

# GETTING STARTED

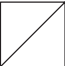
## AUTOMATIC SETUP—WI-FI PROTECTED SETUP (WPS)

### YOU WILL NEED:

A home wireless router capable of WPS (Wi-Fi protected Setup). The router should be on and have a live internet connection.

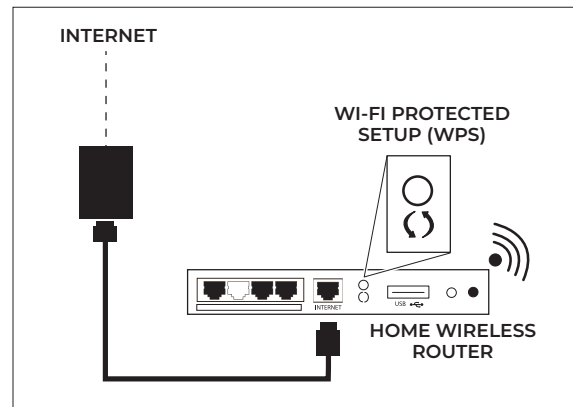
To use this feature you need:

- A smartphone running Android 4.3 (or higher) with a 1280x720 (or higher) screen or a tablet or a smartphone running iOS 8 (or higher).
- A wireless router 2.4 Ghz Wi-Fi b/g/n connected to internet (verify with your smart device that the signal of your home wireless network is strong close to the appliance).
- The Smart Appliance Identification Number (SAID) from your refrigerator. This is located on a sticker on the inside of the water filter door.

 SAID: 0123456789    Contains FCC ID: A5UWICHIN01  
MAC ID: 88:E7:12:XX:YY:ZZ    Contains IC: 10248A-WICHIN01

**NOTE:** If your home wireless router is not equipped with a WPS button, please check the user manual of your router to confirm if it is WPS capable. If not, alternate setup instructions are at [www.jennair.com/connect](http://www.jennair.com/connect).


### 1. Set up router




Press the WPS button on the router. An indicator light will begin blinking.

**NOTE:** The WPS function on your router is active for 2 minutes. Complete the next step within that timeframe, or you will need to reinitiate WPS.

### 2. Set up refrigeration appliance (time-sensitive step)

 Press and hold **CONNECT** on the control panel for 3 seconds.

 The Wi-Fi status indicator (📶) on the appliance control panel will blink slowly while your appliance and router attempt to connect. If the connection is successful, the Wi-Fi status indicator will illuminate and remain lit.

### IF YOUR APPLIANCE DOESN'T CONNECT:

If your appliance and router fail to connect after 2 minutes, the Wi-Fi status indicator will blink rapidly for 5 seconds and then turn off. Check any connection instructions for your specific router, and refer to alternate instructions at [www.jennair.com/connect](http://www.jennair.com/connect).

**NOTE:** If this is your first smart appliance, you will need to download the JennAir® App and create an online user account.

If you already have the app and a user account, please skip ahead to Step 4, "Register your refrigerator in your user account."

# GETTING STARTED

## AUTOMATIC SETUP—WI-FI PROTECTED SETUP (WPS) (CONT.)

### DISCONNECT AND RECONNECT WI-FI

To disconnect Wi-Fi, press and hold the CONNECT button for 7 to 15 seconds. The Wi-Fi status indicator will turn off, indicating that you have disabled Wi-Fi.

To reconnect Wi-Fi, press and hold the CONNECT button for 3 seconds on the control panel.

- The Wi-Fi status indicator (📶) on the appliance control panel will blink slowly while your appliance and router attempt to connect.
- If the connection is successful, the Wi-Fi status indicator will illuminate and remain lit.

### DISCONNECT AND RECONNECT ROUTER

- To disconnect your refrigerator from your router, press and hold the CONNECT button for more than 15 seconds. The Wi-Fi indicator will turn off, indicating that your refrigerator is completely disconnected from Wi-Fi and your router.
- To reconnect your appliance to your router and reconnect Wi-Fi, press and hold the CONNECT button for 3 seconds.

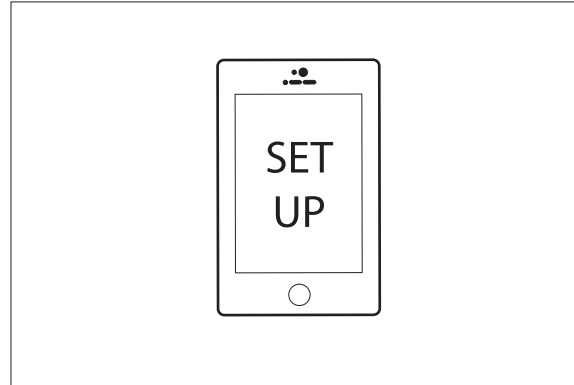
The Wi-Fi status indicator (📶) on the appliance control panel will blink slowly while your refrigerator and router attempt to connect.

If the connection is successful, the Wi-Fi status indicator will come on and remain lit.

Press the WPS button on the router. An indicator light will begin blinking.

**NOTE:** The WPS function on your router is active for 2 minutes. Complete the next step within that timeframe or you will need to reinitiate WPS.

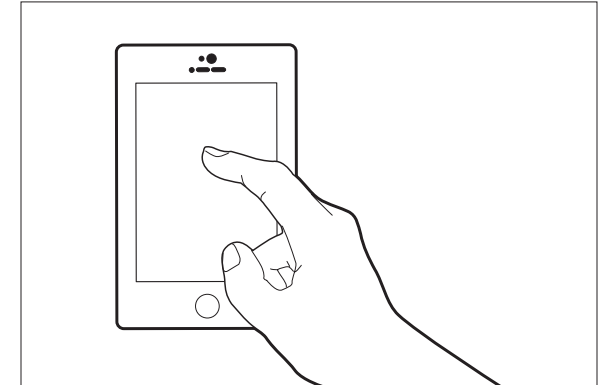
3. Download JennAir® App and set up user account



From your mobile device, smartphone, or tablet, go to [www.jennair.com/connect](http://www.jennair.com/connect) and follow the instructions to download and install the JennAir® App.

Once installed, tap the JennAir® App icon to open the app. You will be guided through the steps to set up a user account. The App will make sure to get the necessary personal and home information as well as information about your energy company.

4. Register your refrigerator in your user account



Registering your refrigerator in your account is a necessary step in order for you to take full advantage of the Smart features. When prompted by the app, enter the SAID (case-sensitive), which can be found on a sticker on the inside of the water filter door.

### My Smart Appliance ID# is:

The Wi-Fi status indicator on the refrigerator control panel will blink slowly while your refrigerator and router attempt to connect.

**NOTE:** This blinking only applies to first-time registration after provisioning. Blinking will not occur for automatic reconnection after a connection is established.

- Once you've connected your refrigerator to your home Wi-Fi network, it will remain linked even if the power goes out, you move the appliance, or if you put it in storage.
- If you replace your wireless router or get a different Smart appliance, you will need to repeat this connectivity set-up process.

# GETTING STARTED

## MANUAL SETUP (FIRST-TIME USE) — ACCESS POINT METHOD

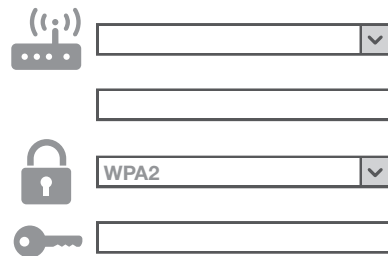
This procedure uses Micro Access Point technology and is applicable if your router does not support WPS.

1. Before starting the Setup procedure, please take note of the home wireless network name (SSID), its password and the SAID of appliance. These will be required during the installation process.
2. Turn on your router and make sure the internet connection is working.
3. On your appliance, activate the provisioning process using the AP method. You should see the Wi-Fi icon blinking on the appliance HMI.
4. Turn on your smart device (phone or tablet) and access your list of available wireless networks in the settings menu.
5. The appliance has created a wireless network (SSID). Select this network from the list of available wireless networks. The network name is made up of the prefix from your appliance type (e.g. washer, dryer, etc.) followed by the MAC address (ex. REFRID\_88\_E7\_12\_B3\_66\_C3). If you don't see it, you may need to refresh the list of networks or verify the Wi-Fi icon is on the appliance display.
6. Once you have selected the SSID, a password will be required. Use the SAID as a password (i.e., 444441ABCD).  
**NOTE:** This password is case-sensitive.
7. Connect to the network.
8. Wait until your device is confirmed to be connected to the appliance Wi-Fi network.
9. Open a web browser. If nothing appears, type "192.168.10.1" in the address bar (URL) and press Enter. The browser displays a Smart web page. It is the configuration page of the Wi-Fi radio of your appliance.

10. In the drop-down list of available networks, select the name of your home wireless network.



11. If your home wireless network is hidden, select "Other" and manually enter its name (SSID) and security protocol.



12. Enter the password for your home wireless network, if required, and submit. Remember, this kind of password is case-sensitive.



13. Click the "Submit" button to submit, and wait a few seconds.
14. The Wi-Fi icon on the appliance should stop blinking and turn on permanently once connected. Otherwise, disconnect and reconnect the appliance to the main power and repeat the procedure.
15. The Setup process is complete.



# GETTING STARTED

## SHELVES

The shelves in your appliance are adjustable to meet your individual storage needs.

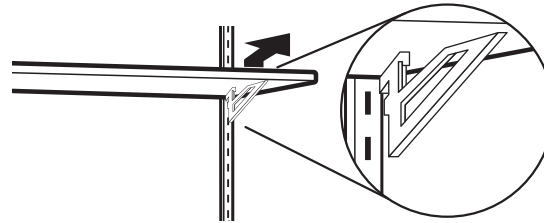
Storing similar food items together in your appliance and adjusting the shelves to fit different heights of items will make finding the exact item you want easier. It will also reduce the amount of time the refrigerator door is open and save energy.

### Important information to know about glass shelves and covers:

Do not clean glass shelves or covers with warm water when they are cold. Shelves and covers may break if exposed to sudden temperature changes or impact, such as bumping. Tempered glass is designed to shatter into many small, pebble-sized pieces. This is normal. Glass shelves and covers are heavy. Use both hands when removing them to avoid dropping.

### TO REMOVE AND REPLACE THE SHELF AND SHELF SUPPORTS:

1. Remove the shelf by tilting it up at the front and lifting it out of the shelf supports. Pull the shelf straight out.
2. To replace the shelf, reposition the shelf supports in the desired location. Check that they are level and firmly inserted in the support rails.

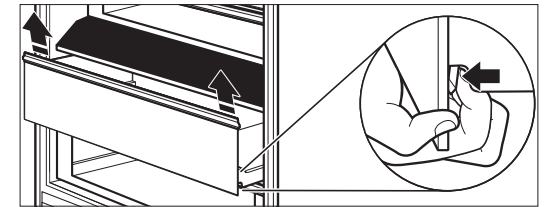


3. Place the back of the shelf in the shelf supports.
4. Lower the front of the shelf and make sure that it is positioned correctly.

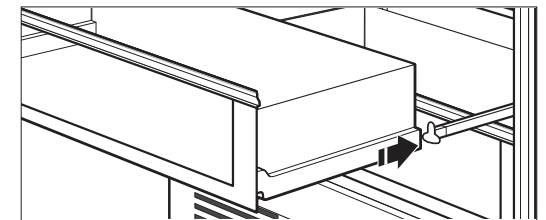
## DELI/CRISPER DRAWERS

### TO REMOVE AND REPLACE THE DELI/CRISPER DRAWERS:

1. To remove the deli/crisper drawers, press the clips located at the bottom of the drawer.
2. Lift up on the drawer and pull straight out.



1. To replace the deli/crisper drawers, extend the glides to their fullest extent.
2. Using your fingers, hold the glides in place as you place the drawer back on the glides.



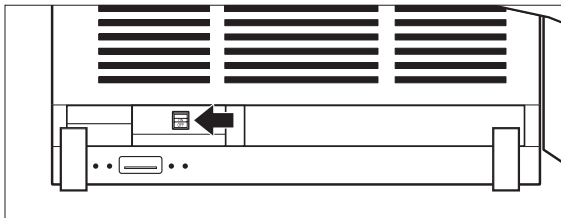
# CARE AND CLEANING

## CLEANING



Below are the recommended steps to clean your appliance.

1. Press the power switch to OFF.
  - A. To access the power switch, remove the toe kick by pulling out to release it from the brackets.



2. Remove all removable parts (such as shelves and crispers) from the inside of the appliance.

3. Hand wash, rinse, and dry removable parts and interior surfaces thoroughly. Use a clean sponge or soft cloth and a mild detergent in warm water.
  - Do not use abrasive or harsh cleaners such as window sprays, scouring cleansers, flammable fluids, cleaning waxes, concentrated detergents, bleaches, or cleansers containing petroleum on plastic parts, interior, door liners, or gaskets. Do not use paper towels, scouring pads, or other harsh cleaning tools. These can scratch or damage materials.
  - To help remove odors, you can wash interior walls with a mixture of warm water and baking soda (2 tbs to 1 qt [26 g to 0.95 L] of water).
4. Wash stainless steel and painted metal exteriors with a clean sponge or soft cloth and a mild detergent in warm water. Do not use abrasive or harsh cleaners, or cleaners containing chlorine. Dry thoroughly with a soft cloth.
5. Press the power switch to ON.
6. To replace, press the toekick panel onto the toekick bracket to engage the gripping pads.

## LEATHER PANEL CARE

Under normal usage conditions, regular dusting and vacuum cleaning in crevices or bottoms is all that is necessary to clean the leather panel.

For minor spots, wipe any excess liquid up immediately with a clean absorbent cloth or sponge. If necessary, use a lightly moistened cloth with clean lukewarm water and let dry naturally.

### NOTE:

- Using hairdryer for drying may damage leather panel, so do not dry using hairdryers.
- Do not use saddle soap, cleaning solvents, furniture polish, oils, varnish, abrasive cleaners, detergent soaps, or ammonia on leather panel.

# CARE AND CLEANING

## VACATION CARE

1. Remove all food from the refrigerator/freezer.
2. Empty the ice bin.
3. Turn the power switch to Off.
  - A. To access the power switch, remove the toekick by pulling out to release it from the brackets.
  - B. To replace, press the toekick panel onto the toekick bracket to engage the gripping pads.
4. Clean refrigerator/freezer, wipe it, and dry well.
5. Tape rubber or wood blocks to the tops of both doors to prop them open far enough for air to get in. This stops odor and mold from building up.

## POWER INTERRUPTIONS

If the power will be out for 24 hours or less, keep the door closed to help food stay cold and frozen.

If the power will be out for more than 24 hours, do one of the following:

- Remove all frozen food and store it in a frozen food locker.
- Place 2 lbs (907 g) of dry ice in the freezer for every cubic foot (28 L) of freezer space. This will keep the food frozen for 2 to 4 days.
- If neither a food locker nor dry ice is available, consume or can perishable food at once.

**REMEMBER:** A full freezer stays cold longer than a partially filled one. A freezer full of meat stays cold longer than a freezer full of baked goods. If you see that food contains ice crystals, it may be refrozen, although the quality and flavor may be affected. If the condition of the food is poor, dispose of it.

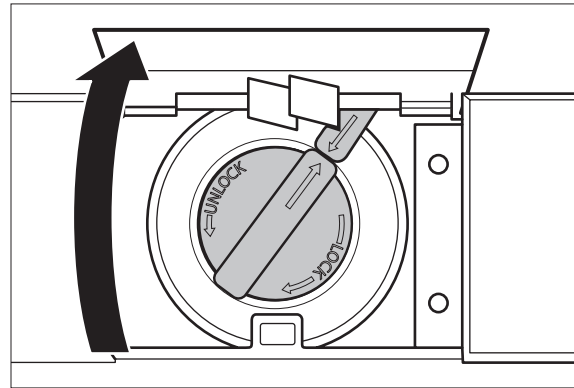
# CARE AND CLEANING

## REPLACING THE WATER FILTER

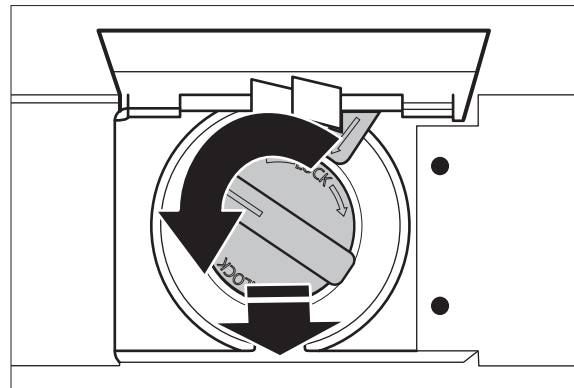
The water filter should be replaced every 6 months based on a flow rate of 0.75 gpm-0.80 gpm (1.89- 2.27 Lpm) that filters 200 gallons (757 L) of water.

**NOTE:** If the filter is not installed correctly, water may dispense at a lower flow rate and there will be slower ice production. Improper filter installation may also cause the water filter housing to leak.

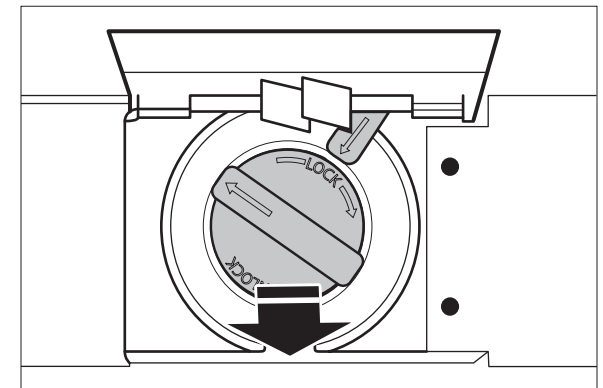
1. To open, push the water filter door up, which is located at the upper left above the refrigerator or freezer compartment.



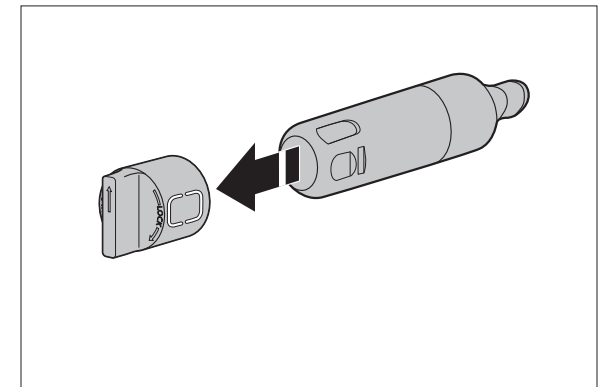
2. Turn the water filter 90° counterclockwise to unlock.



3. Pull the filter out of the housing.

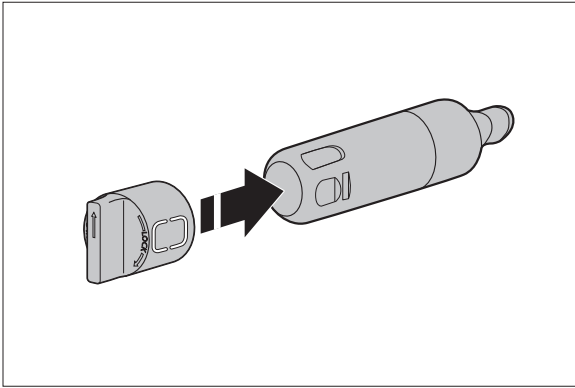


4. Remove the water filter cap from the water filter.

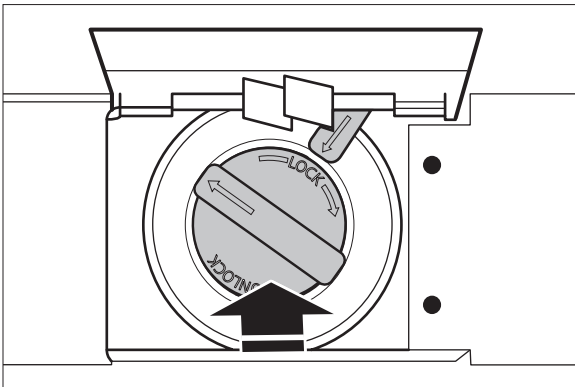


## CARE AND CLEANING

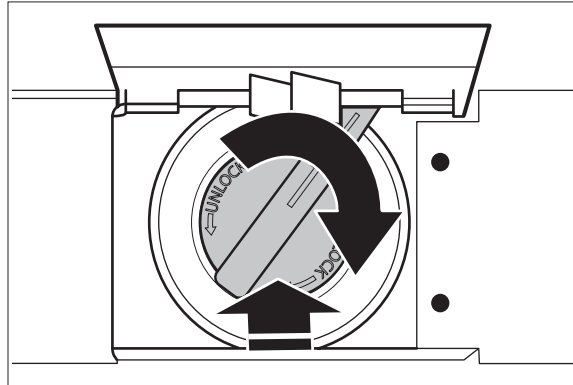
5. Install the water filter cap onto the new filter. Be sure to align the arrows so the grooves in the filter align with ribs in the filter cap.



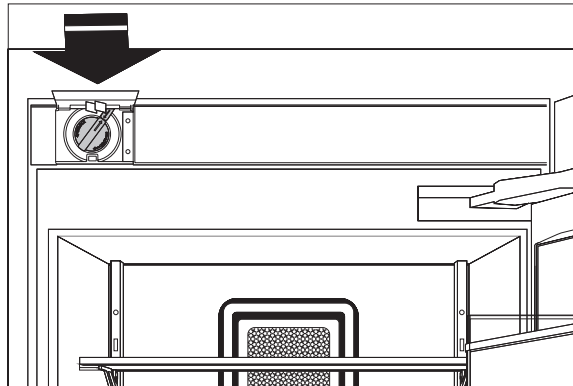
6. Insert the filter into the housing.



7. Turn the water filter 90° clockwise until it locks into place and the arrows are aligned.



8. Push the water filter door closed.




9. The filter light does not automatically reset when the new filter is installed. To reset the filter, press and hold FILTER RESET for 3 seconds. After 3 second countdown, the Filter Reset button light will flash 3 times and replace Filter indicator will turn off.

# TROUBLESHOOTING

## OPERATION

### THE APPLIANCE WILL NOT OPERATE

**⚠ WARNING**



**Electrical Shock Hazard**  
**Plug into a grounded 3 prong outlet.**  
**Do not remove ground prong.**  
**Do not use an adapter.**  
**Do not use an extension cord.**  
**Failure to follow these instructions can result in death, fire, or electrical shock.**

- **Power cord unplugged?** Plug into a grounded 3 prong outlet.
- **Is outlet working?** Plug in a lamp to see if the outlet is working.
- **Household fuse blown or circuit breaker tripped?** Replace the fuse or reset the circuit breaker. If the problem continues, call an electrician.
- **Are controls on?** Make sure the appliance controls are on. See the “Refrigerator Controls” or “Freezer Controls” section.
- **Is refrigerator defrosting?** Your refrigerator will regularly run an automatic defrost cycle. Recheck in 30 minutes to see if it is operating.

- **New installation?** Allow 24 hours following installation for the refrigerator to cool completely.

**NOTE:** Adjusting the temperature controls to coldest setting will not cool either compartment more quickly.

### THE MOTOR SEEMS TO RUN TOO MUCH

Your new refrigerator may run longer than your old one due to its high-efficiency compressor and fans. The unit may run even longer if the room is warm, a large food load is added, doors are opened often, or if the doors have been left open.

### THE APPLIANCE IS NOISY

Overall refrigerator noise has been reduced over the years. Due to this reduction, you may hear other intermittent noises from your new appliance that you did not notice from your old model. Listed below are some unfamiliar but normal sounds, followed by an explanation.

- **Buzzing** - heard when the water valve opens to fill the ice maker
- **Pulsating** - fans/compressor adjusting to optimize performance
- **Rattling** - flow of refrigerant, water line, or from items placed on top of the refrigerator
- **Sizzling/Gurgling** - water dripping on the heater during the defrost cycle
- **Popping** - contraction/expansion of inside walls, especially during initial cool-down
- **Water running** - may be heard when water melts during the defrost cycle and runs into the drain pan

### THERE IS NO AUDIBLE DOOR OPEN ALARM

#### Has the door been open less than 5 minutes?


The door open alarm will only flash when the door has been open for 5 minutes. The audible alarm will sound the first time the door is left open for more than 5 minutes. Subsequent door open alarms will only flash. You must reset the audible alarm each time.

### THE DOORS WILL NOT CLOSE COMPLETELY

- **Door blocked open?** Move food packages away from the door.
- **Bin or shelf in the way?** Push the bin or shelf back in the correct position.

### THE DOORS ARE DIFFICULT TO OPEN

**⚠ WARNING**



**Explosion Hazard**  
**Use nonflammable cleaner.**  
**Failure to do so can result in death, explosion, or fire.**

- **Are the gaskets dirty or sticky?** Clean the gaskets with mild soap and warm water.

# TROUBLESHOOTING

## TEMPERATURE AND MOISTURE

### TEMPERATURE IS TOO WARM

- **New installation?** Allow 24 hours following installation for the appliance to cool completely. Increased temperature around the front face of the refrigerator cabinet may be warm to the touch.
- **Door(s) opened often or left open?** Allows warm air to enter the refrigerator. Minimize door openings and keep doors fully closed.
- **Large load of food added?** Allow several hours for appliance to return to normal temperature.
- **Controls set correctly for the surrounding conditions?** Adjust the controls one setting colder. Check the temperature in 24 hours. See the “Refrigerator Controls” or “Freezer Controls” section.
- **Appliance not cooling?** Turn the appliance off and then on to reset. If this does not correct the problem, call for service.
- **Air vents blocked?** Remove any item from in front of the air vents.

### THERE IS INTERIOR MOISTURE BUILDUP

**NOTE:** Some moisture buildup is normal.

- **Humid room?** Contributes to moisture buildup.
- **Door(s) opened often or left open?** Allows humid air to enter the refrigerator. Minimize door openings and keep doors fully closed.

## ICE AND WATER

### THE ICE MAKER IS NOT PRODUCING ICE OR ENOUGH ICE

- **Ice maker turned on?** Check the control panel to make sure the ice maker is turned on.
- **New installation?** Wait 24 hours after ice maker installation for ice production to begin. Wait 72 hours for full ice production.
- **Large amount of ice recently removed?** Allow 24 hours for ice maker to produce more ice.
- **Reverse osmosis water filtration system connected to your cold water supply?** This can decrease water pressure. See the “Water Supply Requirements” section in the Installation Instructions.

### THE ICE CUBES ARE HOLLOW OR SMALL

**NOTE:** This is an indication of low water pressure.

- **Reverse osmosis water filtration system connected to your cold water supply?** This can decrease water pressure. See the “Water Supply Requirements” section in the Installation Instructions.
- **Questions remain regarding water pressure?** Call a licensed, qualified plumber.

### ICE IS STICKING TOGETHER IN THE ICE STORAGE BIN

- It is normal for frost to be on top of the ice storage bin due to normal opening and closing of the freezer.
- It is normal for ice to stick together when it is not dispensed or used frequently. It is recommended that the ice storage bin be emptied and cleaned as needed.

# TROUBLESHOOTING

## ICE AND WATER (CONT.)

### OFF-TASTE, ODOR, OR GRAY COLOR IN THE ICE

- **New plumbing connections?** New plumbing connections can cause discolored or off-flavored ice.
- **Ice stored too long?** Discard the ice. Wash the ice bin. Allow 24 hours for the ice maker to make new ice.
- **Odor transfer from food?** Use airtight, moisture-proof packaging to store food.
- **Are there minerals (such as sulfur) in the water?** A water filter may need to be installed to remove the minerals.
- **Is there a water filter installed on the refrigerator?** Gray or dark discoloration in ice indicates that the water filtration system needs additional flushing.

### THE ICE MAKER WILL NOT OPERATE PROPERLY

- **Freezer door closed completely?** Close the door firmly. If it does not close completely, see “The doors will not close completely.”
- **Ice bin installed correctly?** Be sure the ice bin is firmly in position.
- **New installation?** Wait 24 hours after ice maker installation for ice production to begin. Wait 72 hours for full ice production.
- **Has other ice been added to the bin?** Use only cubes produced by the current ice maker.

### THE WATER DISPENSER WILL NOT OPERATE PROPERLY

- **Is the water pressure at least 30 psi (207 kPa)?** The water pressure to the home determines the flow from the dispenser. See the “Water Supply Requirements” section in the Installation Instructions.
- **New installation?** Flush and fill the water system.
- **Water filter installed on the refrigerator?** The filter may be clogged or incorrectly installed.
- **Is a reverse osmosis water filtration system connected to your cold water supply?** See the “Water Supply Requirements” section in the Installation Instructions.

## LIGHTS

### THE LIGHTS DO NOT WORK

- **Is the appliance in Sabbath Mode?** See the “Refrigerator Controls” or “Freezer Controls” section.
- **Has the door been open more than 5 minutes?** See the “Refrigerator Controls” or “Freezer Controls” section.

**NOTE:** The lights in both refrigerator and freezer are perimeter LEDs which do not need to be replaced. If the lights do not illuminate when the door is opened call **1-800-JENNAIR (1-800-536-6247)** for assistance or service.



# ASSISTANCE

## CONTACT

### IF YOU NEED SERVICE

Please refer to the warranty page in this manual.

### IF YOU NEED REPLACEMENT PARTS

If you need to order replacement parts, we recommend that you use only factory-specified parts. Factory-specified parts will fit right and work right because they are made with the same precision used to build every new JennAir® appliance.

To locate factory-specified parts in your area, call us or your nearest designated service center.

### IN THE U.S.A.

Call the JennAir Customer eXperience Center toll free at **1-800-JENNAIR (1-800-536-6247)**, or visit our website at **www.jennair.com**.

Our consultants provide assistance with:

- Features and specifications on our full line of appliances.
- Referrals to local JennAir® Appliance brand dealers.
- Installation information.
- Use and maintenance procedures.
- Accessory and repair parts sales.
- Specialized customer assistance (Spanish speaking, hearing impaired, limited vision, etc.).

### FOR FURTHER ASSISTANCE

If you need further assistance, you can write to JennAir with any questions or concerns at:

JennAir® Brand Home Appliances  
Customer eXperience Center  
553 Benson Road  
Benton Harbor, MI 49022-2692

Please include a daytime phone number in your correspondence.

## IN CANADA

Call the JennAir Canada Customer eXperience Centre toll free **1-800-JENNAIR (1-800-536-6247)** or visit our website at **www.jennair.ca**.

Our consultants provide assistance with:

- Scheduling services: JennAir® Appliances designated service technicians are trained to fulfill the appliance warranty and provide after-warranty service anywhere in Canada.
- Features and specifications on our full line of appliances.
- Referrals to local JennAir® brand dealers.
- Use and maintenance procedures.
- Accessory and repair parts sales.

### FOR FURTHER ASSISTANCE

If you need further assistance, you can write to JennAir Canada with any questions or concerns at:

JennAir® Brand Home Appliances  
Customer eXperience Centre  
200 – 6750 Century Ave.  
Mississauga, Ontario L5N 0B7

Please include a daytime phone number in your correspondence.

## ACCESSORIES

To order accessories, call

**1-800-JENNAIR (1-800-536-6247)**, and ask for the appropriate part number or contact your authorized JennAir® dealer. In Canada, call **1-800-536-6247**.

### REPLACEMENT WATER FILTER:

In U.S.A., order Part #EDR2RXD1

## CONNECTED APPLIANCE REGULATORY NOTICES

### Federal Communications Commission (FCC) Compliance Notice

This equipment has been tested and found to comply with the limits for a Class B digital device, pursuant to Part 15 of the FCC Rules. These limits are designed to provide reasonable protection against harmful interference in a residential installation. This equipment generates, uses, and can radiate radio frequency energy and, if not installed and used in accordance with the instructions, may cause harmful interference to radio communications.

However, there is no guarantee that interference will not occur in a particular installation. If this equipment does cause harmful interference to radio or television reception, which can be determined by turning the equipment off and on, the user is encouraged to try to correct the interference by one of the following measures:

- Reorient or relocate the receiving antenna.
- Increase the separation between the equipment and receiver.
- Connect the equipment into an outlet on a circuit different from that to which the receiver is connected.
- Consult the dealer or an experienced radio/TV technician for help.

This device complies with Part 15 of the FCC Rules. Operation is subject to the following two conditions:

1. This device may not cause harmful interference, and
2. This device must accept any interference received, including interference that may cause undesired operation.

Changes or modifications not expressly approved by the party responsible for compliance could void the user's authority to operate the equipment.

### RF Exposure Information

To comply with FCC/IC RF exposure requirements for mobile transmitting devices, this transmitter should only be used or installed at locations where there is at least 20 cm separation distance between the antenna and all persons.

To comply with FCC/IC RF exposure limits for general population/uncontrolled exposure, the antenna(s) used for this transmitter must be installed to provide a separation distance of at least 20 cm from all persons and must not be co-located or operating in conjunction with any other antenna or transmitter.

### Industry Canada (IC) Compliance Notice

This Device complies with Industry Canada License-exempt RSS standard(s). Operation is subject to the following two conditions:

1. This device may not cause interference,
2. This device must accept any interference, including interference that may cause undesired operation of the device.

Under Industry Canada regulations, this radio transmitter may only operate using an antenna of a type and maximum (or lesser) gain approved for the transmitter by Industry Canada. To reduce potential radio interference to other users, the antenna type and its gain should be so chosen that the equivalent isotropically radiated power (e.i.r.p.) is not more than that necessary for successful communication.

This radio transmitter IC: 10248A-XPWG3 has been approved by Industry Canada to operate with the antenna types listed below with the maximum permissible gain and required antenna impedance for each antenna type indicated. Antenna types not included in this list, having a gain greater than the maximum gain indicated for that type, are strictly prohibited for use with this device.

Antenna Type	Maximum Permissible Antenna Gain (dBi)	Required Impedance (OHM)
Slot	1.76	50

To comply with FCC and Industry Canada RF radiation exposure limits for general population, the antenna(s) used for this transmitter must be installed such that a minimum separation distance of 20 cm is maintained between the radiator (antenna) and all persons at all times and must not be co-located or operating in conjunction with any other antenna or transmitter.

Le présent appareil est conforme aux CNR d'Industrie Canada applicables aux appareils radio exempts de licence. L'exploitation est autorisée aux deux conditions suivantes :

- (1) l'appareil ne doit pas produire de brouillage, et
- (2) l'utilisateur de l'appareil doit accepter tout brouillage radioélectrique subi, même si le brouillage est susceptible d'en compromettre le fonctionnement.

Conformément à la réglementation d'Industrie Canada, le présent émetteur radio peut fonctionner avec une antenne d'un type et d'un gain maximal (ou inférieur) approuvé pour l'émetteur par Industrie Canada. Dans le but de réduire les risques de brouillage radioélectrique à l'intention des autres utilisateurs, il faut choisir le type d'antenne et son gain de sorte que la puissance isotrope rayonnée équivalente (p.i.r.e.) ne dépasse pas l'intensité nécessaire à l'établissement d'une communication satisfaisante.

Le présent émetteur radio IC : 10248A-XPWG3 a été approuvé par Industrie Canada pour fonctionner avec les types d'antenne énumérés ci-dessous et ayant un gain admissible maximal et l'impédance requise pour chaque type d'antenne. Les types d'antenne non inclus dans cette liste, ou dont le gain est supérieur au gain maximal indiqué, sont strictement interdits pour l'exploitation de l'émetteur.

Type d'antenne	Gain admissible maximal d'antenne (dBi)	L'impédance requise(OHM)
Slot	1.76	50

Pour satisfaire aux exigences de la FCC et IC d'exposition aux radiofréquences, une distance de séparation de 20 cm ou plus doit être maintenue entre cet appareil et des personnes lors de fonctionnement du dispositif. Pour assurer la conformité des opérations au plus près que cette distance n'est pas recommandée. L'antenne utilisée pour ce transmetteur ne doit pas être co-localisés en conjonction avec toute autre antenne ou transmetteur.

### OEM RESPONSIBILITIES TO COMPLY WITH FCC AND INDUSTRY CANADA REGULATIONS

The XPWG3 Module has been certified for integration into s only by OEM integrators under the following conditions:

1. The antenna(s) must be installed such that a minimum separation distance of 20 cm is maintained between the radiator (antenna) and all persons at all times.
2. The transmitter module must not be co-located or operating in conjunction with any other antenna or transmitter.

As long as the two conditions above are met, further transmitter testing will not be required. However, the OEM integrator is still responsible for testing their end- for any additional compliance requirements required with this module installed (for example, digital device emissions, PC peripheral requirements, etc.).

**IMPORTANT NOTE:** In the event that these conditions cannot be met (for certain configurations or co-location with another transmitter), then the FCC and Industry Canada authorizations are no longer considered valid and the FCC ID and IC Certification Number cannot be used on the final . In these circumstances, the OEM integrator will be responsible for re-evaluating the end product (including the transmitter) and obtaining a separate FCC and Industry Canada authorization.

### END PRODUCT LABELING

The XPWG3 Module is labeled with its own FCC ID and IC Certification Number. If the FCC ID and IC Certification Number are not visible when the module is installed inside another device, then the outside of the device into which the module is installed must also display a label referring to the enclosed module. In that case, the final end product must be labeled in a visible area with the following:

“Contains Transmitter Module FCC ID: A5UXPWG3”

“Contains Transmitter Module IC: 10248A-XPWG3”

or

“Contains FCC ID: A5UXPWG3”

“Contains IC: 10248A-XPWG3”

The OEM of the XPWG3 Module must only use the approved antenna(s), which have been certified with this module. The OEM integrator has to be aware not to provide information to the end user regarding how to install or remove this RF module or change RF related parameters in the user manual of the end.

The user manual for the end product must include the following information in a prominent location: “To comply with FCC and Industry Canada RF radiation exposure limits for general population, the antenna(s) used for this transmitter must be installed such that a minimum separation distance of 20 cm is maintained between the radiator (antenna) and all persons at all times and must not be co-located or operating in conjunction with any other antenna or transmitter.”

Open Source License Usage

The following statements refer to the portions of this software based in part on FreeRTOS v7.0.2, <http://www.freertos.org>. The use of this software is governed by the terms of GNU General Public License v. 2, which is available at: <http://www.gnu.org/licenses/gpl-2.0.html>. A copy of the source code may be obtained by written request for the software by name to [opensource@whirlpool.com](mailto:opensource@whirlpool.com), along with the address for delivery.

The following statements refer to those portions

of the software copyrighted by Eclipse Foundation, Inc. Copyright (c) 2007, Eclipse Foundation, Inc. and its licensors. All rights reserved.

Redistribution and use in source and binary forms, with or without modification, are permitted provided that the following conditions are met:

- Redistributions of source code must retain the above copyright notice, this list of conditions, and the following disclaimer.
- Redistributions in binary form must reproduce the above copyright notice, this list of conditions, and the following disclaimer in the documentation and/or other materials provided with the distribution.
- Neither the name of the Eclipse Foundation, Inc. nor the names of its contributors may be used to endorse or promote s derived from this software without specific prior written permission.

THIS SOFTWARE IS PROVIDED BY THE COPYRIGHT HOLDERS AND CONTRIBUTORS “AS IS” AND ANY EXPRESS OR IMPLIED WARRANTIES, INCLUDING, BUT NOT LIMITED TO, THE IMPLIED WARRANTIES OF MERCHANTABILITY AND FITNESS FOR A PARTICULAR PURPOSE ARE DISCLAIMED. IN NO EVENT SHALL THE COPYRIGHT OWNER OR CONTRIBUTORS BE LIABLE FOR ANY DIRECT, INDIRECT, INCIDENTAL, SPECIAL, EXEMPLARY, OR CONSEQUENTIAL DAMAGES (INCLUDING, BUT NOT LIMITED TO, PROCUREMENT OF SUBSTITUTE GOODS OR SERVICES; LOSS OF USE, DATA, OR PROFITS; OR BUSINESS INTERRUPTION) HOWEVER CAUSED AND ON ANY THEORY OF LIABILITY, WHETHER IN CONTRACT, STRICT LIABILITY, OR TORT (INCLUDING NEGLIGENCE OR OTHERWISE) ARISING IN ANY WAY OUT OF THE USE OF THIS SOFTWARE, EVEN IF ADVISED OF THE POSSIBILITY OF SUCH DAMAGE.

Portions of this software are copyright (c) Sawtooth Consulting Ltd. 2006-2015 All rights reserved.

Portions of this software are copyright (c) Arrayent, Inc. 2015 All rights reserved.

The following statements refer to those portions of the software copyrighted by Swedish Institute of Computer Science.

Copyright (c) 2001-2004 Swedish Institute of Computer Science. All rights reserved.

Redistribution and use in source and binary forms, with or without modification, are permitted provided that the following conditions are met:

1. Redistributions of source code must retain the above copyright notice, this list of conditions, and the following disclaimer.
2. Redistributions in binary form must reproduce the above copyright notice, this list of conditions, and the following disclaimer in the documentation and/or other materials provided with the distribution.
3. The name of the author may not be used to endorse or promote s derived from this software without specific prior written permission.

THIS SOFTWARE IS PROVIDED BY THE AUTHOR “AS IS” AND ANY EXPRESS OR IMPLIED WARRANTIES, INCLUDING, BUT NOT LIMITED TO, THE IMPLIED WARRANTIES OF MERCHANTABILITY AND FITNESS FOR A PARTICULAR PURPOSE ARE DISCLAIMED. IN NO EVENT SHALL THE AUTHOR BE LIABLE FOR ANY DIRECT, INDIRECT, INCIDENTAL, SPECIAL, EXEMPLARY, OR CONSEQUENTIAL DAMAGES (INCLUDING, BUT NOT LIMITED TO, PROCUREMENT OF SUBSTITUTE GOODS OR SERVICES; LOSS OF USE, DATA, OR PROFITS; OR BUSINESS INTERRUPTION) HOWEVER CAUSED AND ON ANY THEORY OF LIABILITY, WHETHER IN CONTRACT, STRICT LIABILITY, OR TORT (INCLUDING NEGLIGENCE OR OTHERWISE) ARISING IN ANY WAY OUT OF THE USE OF THIS SOFTWARE, EVEN IF ADVISED OF THE POSSIBILITY OF SUCH DAMAGE.

The following statements refer to those portions of the software copyrighted by Marvell International Ltd. Copyright (c) Marvell International Ltd. All rights reserved.

DISCLAIMER. THIS SOFTWARE IS PROVIDED BY THE COPYRIGHT HOLDERS AND CONTRIBUTORS “AS IS” AND ANY EXPRESS OR IMPLIED WARRANTIES, INCLUDING, BUT NOT LIMITED TO, THE IMPLIED WARRANTIES OF MERCHANTABILITY AND FITNESS FOR A PARTICULAR PURPOSE ARE DISCLAIMED. IN NO EVENT SHALL THE COPYRIGHT OWNER OR CONTRIBUTORS BE LIABLE FOR ANY DIRECT, INDIRECT, INCIDENTAL, SPECIAL, EXEMPLARY, OR CONSEQUENTIAL DAMAGES (INCLUDING, BUT NOT LIMITED TO, PROCUREMENT OF SUBSTITUTE GOODS OR SERVICES; LOSS OF USE, DATA, OR PROFITS; OR BUSINESS INTERRUPTION) HOWEVER CAUSED AND ON ANY THEORY OF LIABILITY, WHETHER IN CONTRACT, STRICT LIABILITY, OR TORT (INCLUDING NEGLIGENCE OR OTHERWISE) ARISING IN ANY WAY OUT OF THE USE OF THIS SOFTWARE, EVEN IF ADVISED OF THE POSSIBILITY OF SUCH DAMAGE.

# PERFORMANCE DATA SHEET

## WATER FILTRATION SYSTEM

### MODEL P9WB2L/P9RFWB2L CAPACITY 200 GALLONS (757 LITERS)



System tested and certified by NSF International against NSF/ANSI Standard 42, Standard 53, and Standard 401 for the reduction of contaminants specified on the Performance Data Sheet.

This system has been tested according to NSF/ANSI Standards 42, 53 and 401 for the reduction of the substances listed below. The concentration of the indicated substances in water entering the system was reduced to a concentration less than or equal to the permissible limit for water leaving the system, as specified in NSF/ANSI Standards 42, 53, and 401.

Substance Reduction	Influent Challenge Concentration	Maximum Permissible Product Water Concentration	Average% Reduction
<b>Aesthetic Effects</b>			
Chlorine Taste/Odor	2.0 mg/L ± 10%	50% reduction	97.0%
Particulate Class I*	At least 10,000 particles/mL	85% reduction	>99.9%
<b>Contaminant Reduction</b>	<b>Influent Challenge Concentration</b>	<b>Maximum Permissible Product Water Concentration</b>	<b>Average% Reduction</b>
Lead†: @ pH 6.5 / @ pH 8.5	0.15 mg/L ± 10%	0.010 mg/L	>99.3% / 98.6%
Benzene	0.015 mg/L ± 10%	0.005 mg/L	93.8%
p-Dichlorobenzene	0.225 mg/L ± 10%	0.075 mg/L	99.8%
Carbofuran	0.08 mg/L ± 10%	0.040 mg/L	81.9%
Toxaphene	0.015 ± 10%	0.003 mg/L	>95%
Atrazine	0.009 mg/L ± 10%	0.003 mg/L	87.0%
Asbestos	10 <sup>7</sup> to 10 <sup>8</sup> fibers/L††	99%	>99%
Live Cysts†	50,000/L min.	99.95%	>99.99%
Turbidity	11 NTU ± 10%	0.5 NTU	96.9%
Lindane	0.002 ± 10%	0.0002 mg/L	>99.2%
Tetrachloroethylene	0.015 mg/L ± 10%	0.005 mg/L	96.6%
o-Dichlorobenzene	1.8 mg/L ± 10%	0.60 mg/L	92.3%
Ethylbenzene	2.1 mg/L ± 10%	0.70 mg/L	86.9%
1,2,4-Trichlorobenzene	0.210 mg/L ± 10%	0.07 mg/L	>99.8%
2,4 - D	0.210 mg/L ± 10%	0.07 mg/L	88.5%
Styrene	2.0 mg/L ± 10%	0.1 mg/L	99.6%
Toluene	3.0 mg/L ± 10%	1.0 mg/L	93.5%
Endrin	0.006 mg/L ± 10%	0.002 mg/L	81.7%
Atenolol	200 ± 20%	30 ng/L	95.7%
Trimethoprim	140 ± 20%	20 ng/L	96.1%
Linuron	140 ± 20%	20 ng/L	96.3%
Estrone	140 ± 20%	20 ng/L	95.3%
Nonylphenol	1400 ± 20%	200 ng/L	95.5%
Carbamazepine	1400 ± 20%	200 ng/L	97.94%
Phenytoin	200 ± 20%	30 ng/L	93.58%
Naproxen	140 ± 20%	20 ng/L	96.04%
Bisphenol A	2000 ± 20%	300 ng/L	99.20%

Test Parameters: pH = 7.5 ± 0.5 unless otherwise noted. Flow = 0.6 gpm (2.27 lpm). Pressure = 60 psig (413.7 kPa). Temp. = 68°F to 71.6°F (20°C to 22°C). Rated service capacity = 200 gallons (757 liters).

The compounds certified under NSF 401 have been deemed as "emerging compounds/incidental contaminants." Emerging compounds/incidental contaminants are those compounds that have been detected in drinking water supplies at trace levels. While occurring at only trace levels, these compounds can affect the public acceptance/perception of drinking water quality.

## PERFORMANCE DATA SHEET (CONTD.)

- ❑ It is important that operational, maintenance, and filter replacement requirements be carried out for the product to perform as advertised. Property damage can occur if all instructions are not followed.
- ❑ The disposable cartridge must be changed at least every 6 months.
- ❑ Use replacement filter P9RFWB2L, part #EDR2RXD1/EDR2RXD1B. 2015 suggested retail price of \$49.99 U.S.A./\$49.99 Canada. Prices are subject to change without notice.
- ❑ The filter monitor system measures the amount of water that passes through the filter and alerts you when it is time to replace the filter. Refer to the “Using the Controls” or “Water Filtration System” sections in the User Instructions or User Guide to learn how to check the water filter status.
- ❑ After changing the water filter, flush the water system. See the “Water and Ice Dispensers” or “Water Dispenser” sections in the User Instructions or User Guide.
- ❑ These contaminants are not necessarily in your water supply. While testing was performed under standard laboratory conditions, actual performance may vary.

- ❑ The product is for cold water use only.
- ❑ The water system must be installed in compliance with state and local laws and regulations.
- ❑ Do not use with water that is microbiologically unsafe or of unknown quality without adequate disinfection before or after the system. Systems certified for cyst reduction may be used on disinfected waters that may contain filterable cysts. EPA Est. No. 082047-TWN-001
- ❑ Refer to the “Warranty” section in the User Instructions or User Guide for the Manufacturer’s limited warranty, name, and telephone number.

---

### Application Guidelines/Water Supply Parameters

---

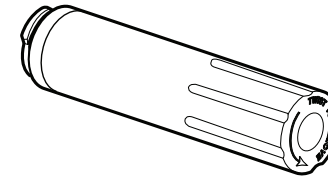
Water Supply	Potable City or Well
Water Pressure	30-120 psi (207 - 827 kPa)
Water Temperature	33°-100°F (0.6° - 37.8°C)
Service Flow Rate	0.50 gpm (1.89 Lpm) @ 60 psi (413.7 kPa)

---

\*Class I particle size: >0.5 to <1 µm

†Based on the use of *Cryptosporidium parvum* oocysts

‡Fibers greater than 10 µm in length



# JENNAIR® REFRIGERATION LIMITED WARRANTY

ATTACH YOUR RECEIPT HERE. PROOF OF PURCHASE IS REQUIRED TO OBTAIN WARRANTY SERVICE.

Please have the following information available when you call the Customer eXperience Center:

- Name, address, and telephone number
- Model number and serial number
- A clear, detailed description of the problem
- Proof of purchase including dealer or retailer name and address

## IF YOU NEED SERVICE:

1. Before contacting us to arrange service, please determine whether your product requires repair. Some questions can be addressed without service. Please take a few minutes to review the Troubleshooting section of the Use and Care Guide or visit [producthelp.jennair.com](http://producthelp.jennair.com).
2. All warranty service is provided exclusively by our authorized JennAir Service Providers. In the U.S. and Canada, direct all requests for warranty service to:

**JennAir Customer eXperience Center**  
**1-800-JENNAIR (1-800-536-6247).**

If outside the 50 United States or Canada, contact your authorized JennAir dealer to determine whether another warranty applies.

## TEN YEAR LIMITED WARRANTY

### WHAT IS COVERED

#### TWO YEAR LIMITED WARRANTY (PARTS AND LABOR)

For two years from the date of purchase, when this major appliance is installed, operated and maintained according to instructions attached to or furnished with the product, JennAir brand of Whirlpool Corporation or Whirlpool Canada LP (hereafter "JennAir") will pay for factory specified replacement parts and repair labor to correct defects in materials or workmanship that existed when this major appliance was purchased, or at its sole discretion replace the product. In the event of product replacement, your appliance will be warranted for the remaining term of the original unit's warranty period.

#### THIRD THROUGH FIFTH YEAR LIMITED WARRANTY ON CAVITY LINER AND SEALED REFRIGERATION SYSTEM (PARTS & LABOR)

In the third through fifth years from the date of purchase, when this major appliance is installed, operated and maintained according to the instructions attached to or furnished with the product, JennAir brand will pay for factory specified replacement parts and repair labor for the following components to correct non-cosmetic defects in materials and workmanship in this part that prevent function of the refrigerator and that existed when this major appliance was purchased:

- Refrigerator/freezer cavity liner if the part cracks due to defective materials or workmanship
- Sealed Refrigeration system (includes compressor, evaporator, condenser, dryer and connecting tubing).

#### SIXTH THROUGH TENTH YEAR LIMITED WARRANTY (SEALED REFRIGERATION SYSTEM ONLY - LABOR NOT INCLUDED)

In the sixth through tenth year from the date of purchase, when this major appliance is installed, operated and maintained according to instructions attached to or furnished with the product, JennAir brand will pay for factory specified replacement parts for the following components to correct defects in materials or workmanship in the sealed refrigeration system (includes compressor, evaporator, condenser, dryer and connecting tubing) that existed when this major appliance was purchased.

### WHAT IS NOT COVERED

1. Commercial, non-residential or multiple-family use, or use inconsistent with published user, operator or installation instructions.
2. In-home instruction on how to use your product.
3. Service to correct improper product maintenance or installation, installation not in accordance with electrical or plumbing codes or correction of household electrical or plumbing (e.g., house wiring, fuses or water inlet hoses).
4. Consumable parts (e.g., light bulbs, batteries, air or water filters, preservation solutions).
5. Defects or damage caused by the use of non-genuine JennAir parts or accessories.
6. Damage from accident, misuse, abuse, fire, floods, acts of God, or use with products not approved by JennAir.
7. Repairs to parts or systems to correct product damage or defects caused by unauthorized service, alteration or modification of the appliance.
8. Cosmetic damage, including scratches, dents, chips, and other damage to appliance finishes unless such damage results from defects in materials and workmanship and is reported to JennAir within 30 days.
9. Discoloration, rust or oxidation of surfaces resulting from caustic or corrosive environments including but not limited to high salt concentrations, high moisture or humidity, or exposure to chemicals.
10. Food or medicine loss due to product failure.
11. Pickup or delivery. This product is intended for in-home repair.
12. Travel or transportation expenses for service in remote locations where an authorized JennAir servicer is not available.
13. Removal or reinstallation of inaccessible appliances or built-in fixtures (e.g., trim, decorative panels, flooring, cabinetry, islands, countertops, drywall) that interfere with servicing, removal or replacement of the product.
14. Service or parts for appliances with original model/serial numbers removed, altered or not easily determined.

**The cost of repair or replacement under these excluded circumstances shall be borne by the customer.**

## TEN YEAR LIMITED WARRANTY

### WHAT IS COVERED

YOUR SOLE AND EXCLUSIVE REMEDY UNDER THIS LIMITED WARRANTY SHALL BE PRODUCT REPAIR AS PROVIDED HEREIN. Service must be provided by a JennAir designated service company. This limited warranty is valid only in the United States or Canada and applies only when the major appliance is used in the country in which it was purchased. This limited warranty is effective from the date of original consumer purchase. Proof of original purchase date is required to obtain service under this limited warranty.

### WHAT IS NOT COVERED

#### DISCLAIMER OF IMPLIED WARRANTIES

IMPLIED WARRANTIES, INCLUDING ANY IMPLIED WARRANTY OF MERCHANTABILITY OR IMPLIED WARRANTY OF FITNESS FOR A PARTICULAR PURPOSE, ARE LIMITED TO TEN YEARS OR THE SHORTEST PERIOD ALLOWED BY LAW. Some states and provinces do not allow limitations on the duration of implied warranties of merchantability or fitness, so this limitation may not apply to you. This warranty gives you specific legal rights, and you also may have other rights that vary from state to state or province to province.

#### DISCLAIMER OF REPRESENTATIONS OUTSIDE OF WARRANTY

JennAir makes no representations about the quality, durability, or need for service or repair of this major appliance other than the representations contained in this warranty. If you want a longer or more comprehensive warranty than the limited warranty that comes with this major appliance, you should ask JennAir or your retailer about buying an extended warranty.

#### LIMITATION OF REMEDIES: EXCLUSION OF INCIDENTAL AND CONSEQUENTIAL DAMAGES

YOUR SOLE AND EXCLUSIVE REMEDY UNDER THIS LIMITED WARRANTY SHALL BE PRODUCT REPAIR AS PROVIDED HEREIN. JENNAIR SHALL NOT BE LIABLE FOR INCIDENTAL OR CONSEQUENTIAL DAMAGES. Some states and provinces do not allow the exclusion or limitation of incidental or consequential damages, so these limitations and exclusions may not apply to you. This warranty gives you specific legal rights, and you also may have other rights that vary from state to state or province to province.

08/17





# INTRODUCTION

## SÉCURITÉ

### Votre sécurité et celle des autres est très importante.

Nous donnons de nombreux messages de sécurité importants dans ce manuel et sur votre appareil ménager. Assurez-vous de toujours lire tous les messages de sécurité et de vous y conformer.



Voici le symbole d'alerte de sécurité.

Ce symbole d'alerte de sécurité vous signale les dangers potentiels de décès et de blessures graves à vous et à d'autres.

Tous les messages de sécurité suivront le symbole d'alerte de sécurité et le mot "DANGER" ou "AVERTISSEMENT". Ces mots signifient :

**⚠ DANGER**

Risque possible de décès ou de blessure grave si vous ne suivez pas immédiatement les instructions.

**⚠ AVERTISSEMENT**

Risque possible de décès ou de blessure grave si vous ne suivez pas les instructions.

Tous les messages de sécurité vous diront quel est le danger potentiel et vous disent comment réduire le risque de blessure et ce qui peut se produire en cas de non-respect des instructions.

### IMPORTANTES INSTRUCTIONS DE SÉCURITÉ

**AVERTISSEMENT :** Pour réduire les risques d'incendie, de choc électrique ou des blessures lors de l'utilisation du réfrigérateur, prendre quelques précautions fondamentales, y compris les suivantes :

- Pour éviter un danger provoqué par l'instabilité de l'appareil, ce dernier doit être fixé selon les instructions.
- Installation ne devrait être effectuée que par le fabricant ou un agent autorisé.
- Brancher l'appareil sur une prise à 3 alvéoles reliée à la terre.
- Ne pas enlever la broche de liaison à la terre.
- Ne pas utiliser un adaptateur.
- Ne pas utiliser un câble de rallonge.
- Déconnecter la source de courant électrique de tous les appareils avant l'intervention.
- Si le CORDON D'ALIMENTATION est endommagé, il doit être remplacé par le fabricant, son agent de réparation ou toute autre personne ainsi qualifiée afin d'éviter tout danger.
- Replacer pièces et panneaux avant de faire la remise en marche.
- Enlever les portes de votre vieux réfrigérateur.
- Raccorder à la canalisation d'arrivée d'eau potable uniquement.
- Utiliser un produit de nettoyage ininflammable.
- Garder les matériaux et les vapeurs inflammables, telle que l'essence, loin du réfrigérateur.
- Ne pas entreposer de substances explosives comme des aérosols avec agent propulseur inflammable dans ce réfrigérateur.
- Utiliser deux ou plus de personnes pour déplacer et installer le réfrigérateur.
- Débrancher le réfrigérateur avant l'installation de la machine à glaçons (seulement pour modèles prêts à recevoir une machine à glaçons).
- Utiliser un verre robuste pour prendre des glaçons (sur certains modèles).
- Ne pas heurter les portes en verre du réfrigérateur (sur certains modèles).
- Cet appareil ne convient pas à une utilisation par des personnes (y compris des enfants) à capacités physiques, sensorielles ou mentales réduites, ou possédant un manque d'expérience et de connaissances, à moins qu'elles ne soient placées sous supervision ou qu'elles aient reçu des instructions concernant l'utilisation de l'appareil par une personne responsable de leur sécurité.
- Les enfants doivent être placés sous surveillance afin de s'assurer qu'ils ne jouent pas avec l'appareil.
- Ce réfrigérateur est destiné à un usage domestique et à d'autres usages similaires tels que :
  - coins cuisine réservés au personnel des boutiques, des bureaux et d'autres environnements professionnels
  - maisons d'hôtes, chambres d'hôtel, motels et autres installations d'hébergement
  - environnements de type gîtes touristiques
  - restauration collective et autres applications hors vente au détail

**CONSERVEZ CES INSTRUCTIONS**

# INTRODUCTION

## MISE AU REBUT DU VIEUX RÉFRIGÉRATEUR

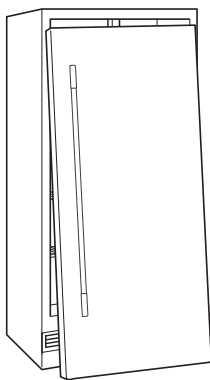
### **⚠️ AVERTISSEMENT**

#### **Risque de Suffoquer**

**Enlever les portes de votre vieux réfrigérateur.**

**Le non-respect de cette instruction peut causer un décès ou des lésions cérébrales.**

**IMPORTANT :** Faites votre part pour éviter qu'un enfant reste piégé ou s'étouffe en éliminant correctement votre ancien réfrigérateur ou congélateur.



### **AVANT DE JETER L'ANCIEN RÉFRIGÉRATEUR OU CONGÉLATEUR :**

- Enlever les portes.
- Laisser les tablettes en place de sorte que les enfants ne puissent pas y pénétrer facilement.

#### **Renseignements importants à propos de la mise au rebut des fluides réfrigérants :**

Mettre le réfrigérateur au rebut conformément à la réglementation fédérale et locale. Les fluides réfrigérants doivent être évacués par un technicien certifié et agréé par l'EPA conformément aux procédures établies.

# INTRODUCTION

## ENREGISTREMENT DE VOTRE APPAREIL

Accédez à notre service à la clientèle de niveau concierge en enregistrant votre appareil. Nous simplifions l'enregistrement des produits afin que vous puissiez commencer à utiliser vos avantages JennAir exclusifs aujourd'hui.

L'enregistrement de votre appareil vous permet de :

■ **Rationalisez votre service de garantie**

Si nous disposons des informations sur votre appareil, nous pouvons vous aider plus rapidement.

■ **Protéger votre achat**

En cas de perte d'assurance – comme lors d'un incendie, d'une inondation ou d'un vol – l'enregistrement de votre produit pourrait servir de preuve d'achat.

■ **Garder votre famille en sécurité.**

Nous vous informerons dans le cas rare d'une notification de sécurité.

Commencez à profiter de ces avantages aujourd'hui en vous connectant en ligne pour enregistrer votre appareil au <https://register.jennair.com>.

## IDENTIFICATION DU PRODUIT

L'identification de votre produit, qui comprend le modèle et les numéros de série, figure sur la plaque signalétique du produit.

L'inscription de cette information ci-dessous nous permet de vous aider plus facilement si votre appareil doit être réparé par un de nos fournisseurs de services agréés JennAir®.

**Numéro de modèle :** \_\_\_\_\_

**Numéro de série :** \_\_\_\_\_

**Date d'installation :** \_\_\_\_\_

**Marchand autorisé :** \_\_\_\_\_

**No de téléphone du marchand autorisé :** \_\_\_\_\_

## TABLE DES MATIÈRES

### INTRODUCTION

Sécurité .....	33
Mise au rebut du vieux réfrigérateur.....	34
Enregistrement de votre appareil .....	35
Identification du produit .....	35
Caractéristiques du produit.....	36
Commandes du réfrigérateur .....	38
Commandes du congélateur .....	40

### MISE EN PLACE

Avant l'utilisation .....	42
Fonctions intelligentes.....	42
Fonction de réseau intelligent.....	43
Configuration automatique – configuration protégée wi-fi.....	44
Configuration manuelle (première utilisation) – méthode de point d'accès....	46
Tablettes.....	47
Tiroirs pour spécialités alimentaires/ à légumes.....	47

### ENTRETIEN ET NETTOYAGE

Nettoyage .....	48
Entretien du panneau en cuir .....	48
Entretien avant les vacances .....	49
Pannes de courant.....	49
Remplacer le filtre à eau .....	50

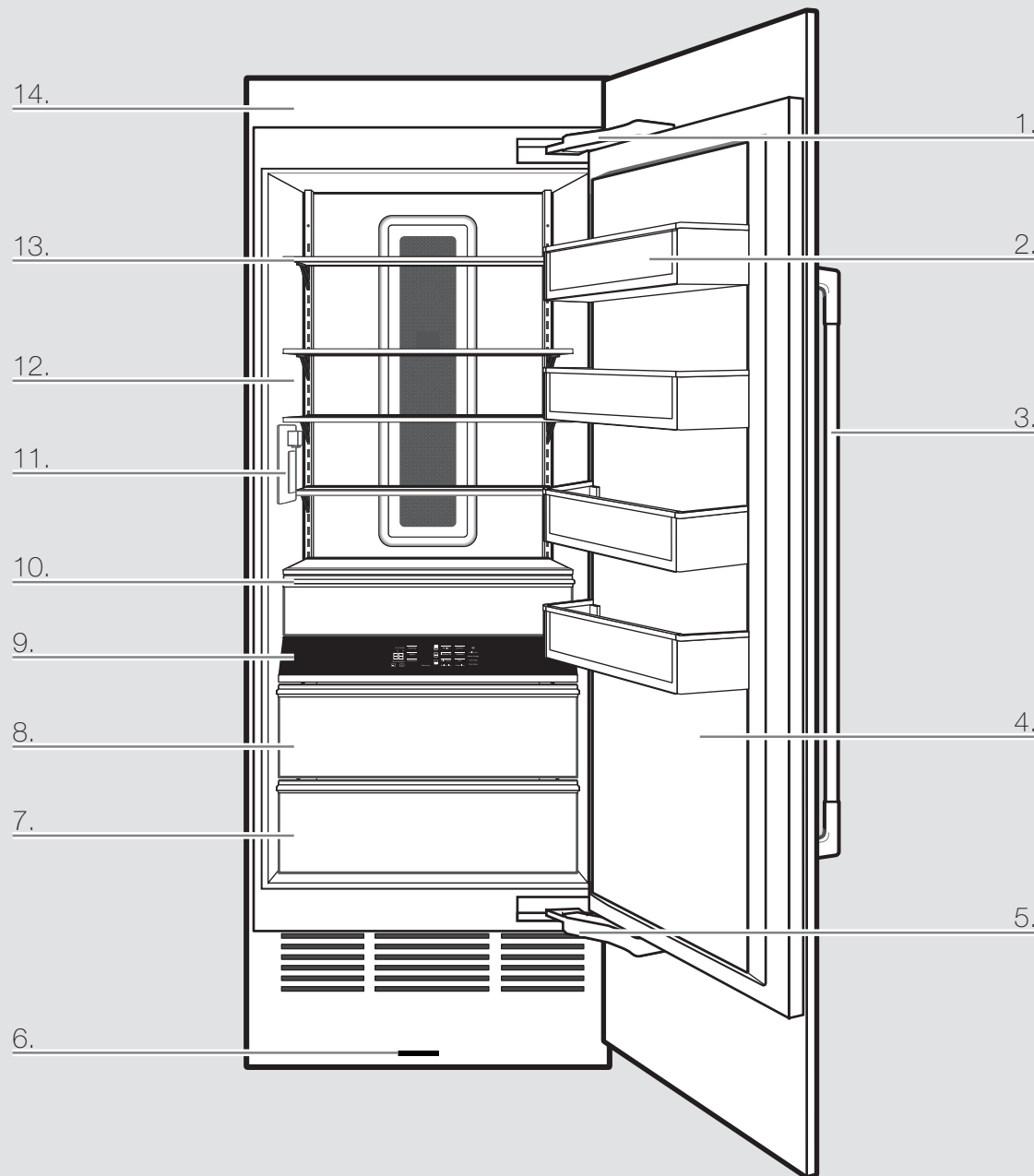
### DÉPANNAGE

Utilisation.....	52
Température et humidité.....	53
Glaçons et eau.....	53
Lampes.....	54

### ASSISTANCE

Contact.....	55
Aux É.-U.....	55
Au Canada.....	55
Accessoires .....	55
Avis d'application de la réglementation de la connexion des électroménagers .....	56
Fiche de données relatives au rendement.....	58
Garantie .....	60

# INTRODUCTION



## CARACTÉRISTIQUES DU PRODUIT

- 1. Conception entièrement intégrée et encastrée avec charnière articulée**  
Crée une apparence intégrée avec des armoires personnalisées sans charnières ou pièces de moulure exposées.
- 2. Balconnets de porte en verre et en aluminium ajustables**  
Facilite la personnalisation de rangement selon ses préférences, offrant un accès rapide aux articles fréquemment utilisés. Les balconnets de porte du réfrigérateur et du congélateur peuvent être positionnés pour accepter des récipients de tailles diverses.
- 3. Conception décorative personnalisée**  
Livré avec des portes installées en usine. Pour créer une finition de réfrigérateur, les clients doivent acheter des panneaux et des poignées personnalisés à partir d'un fabricant d'armoires ou un ensemble de panneaux de coordination JennAir®.
- 4. Intérieur obsidienne**  
Met en valeur les produits alimentaires partout dans le réfrigérateur ou le congélateur, et offre un contraste plus marqué que les intérieurs blancs.
- 5. Position de butée de porte à 90°/115°**  
Options offertes pour assurer un dégagement suffisant entre la porte ouverte et l'armoire adjacente.

## 6. Connexion Wi-Fi

Ce réfrigérateur peut se connecter au réseau Wi-Fi de votre domicile et être commandé à distance à l'aide de l'application JennAir® téléchargeable pour appareils iOS ou Android.

## 7. Tiroirs à légumes à fermeture automatique en douceur

Assurent un fonctionnement en douceur par ouverture sur glissières même lorsqu'ils sont complètement chargés, et présentent une conception de fermeture automatique innovante.

## 8. Tiroir à légumes à température contrôlée électronique (réfrigérateur)

Le tiroir s'ouvre facilement, même lorsqu'il est complètement chargé grâce aux glissières à fermeture douce et automatique.

Deux réglages de température prédéfinie sont offerts sur le panneau de commande interne pour aider à conserver les aliments à la température optimale. Choix offerts :

- Produits : 39 °F (3,9 °C)
- Assortiment : 37 °F (2,8 °C)

## 9. Commandes tactiles capacitives avec affichage à DEL

Le tableau tactile regroupe le menu de commande et les commandes des différentes fonctions. Le tableau tactile est très sensible, il suffit d'un léger toucher pour l'activer. Les commandes sont situées dans la section médiane de chaque colonne pour un accès facile.

## 10. Tiroir pour spécialités alimentaires à température contrôlée électronique (réfrigérateur)

Le tiroir pour spécialités alimentaires s'ouvre facilement, même lorsqu'il est complètement chargé grâce aux glissières à fermeture douce et automatique.

Cinq réglages de température prédéfinie sont offerts sur le panneau de commande interne pour aider à conserver les aliments à la température optimale. Choix offerts :

- Produits : 39 °F (3,9 °C)
- Assortiment : 37 °F (2,8 °C)
- Boisson : 34 °F (1 °C)
- Produits de spécialité : 33 °F (0,6 °C)
- Viande : 32 °F (0 °C)

## Tiroir pour spécialités alimentaires à température contrôlée électronique (congélateur)

Trois réglages de température prédéfinie sont offerts sur le panneau de commande interne pour aider à conserver les aliments à la température optimale. Choix offerts :

- Assortiment : 0 °F (-17,8 °C)
- Spiritueux : -2 °F (-18,9 °C)
- Surgeler : -8 °F (-22,2 °C)

## 11. Distributeur d'eau (réfrigérateur)

Permet de distribuer de l'eau filtrée.

## 12. Éclairage à effet théâtral à DEL du périmètre intérieur

L'éclairage à DEL du périmètre atteint une luminosité totale de manière élégante lorsque la porte ou les tiroirs intérieurs sont ouverts, augmentant la visibilité en réduisant les ombres causées par l'éclairage supérieur. La sélection d'une zone de refroidissement au tableau de commande provoque l'impulsion d'éclairage dans la même zone.

## 13. Tablettes en verre transparent ajustables

Les tablettes en verre transparent sans teinte offrent un aspect ouvert et raffiné qui rend les aliments et les boissons faciles à voir et à localiser. Les tablettes en verre complètent l'éclairage à DEL pour une clarté exceptionnelle qui permet plus de lumière pour remplir l'intérieur.

## 14. Filtre EveryDrop®

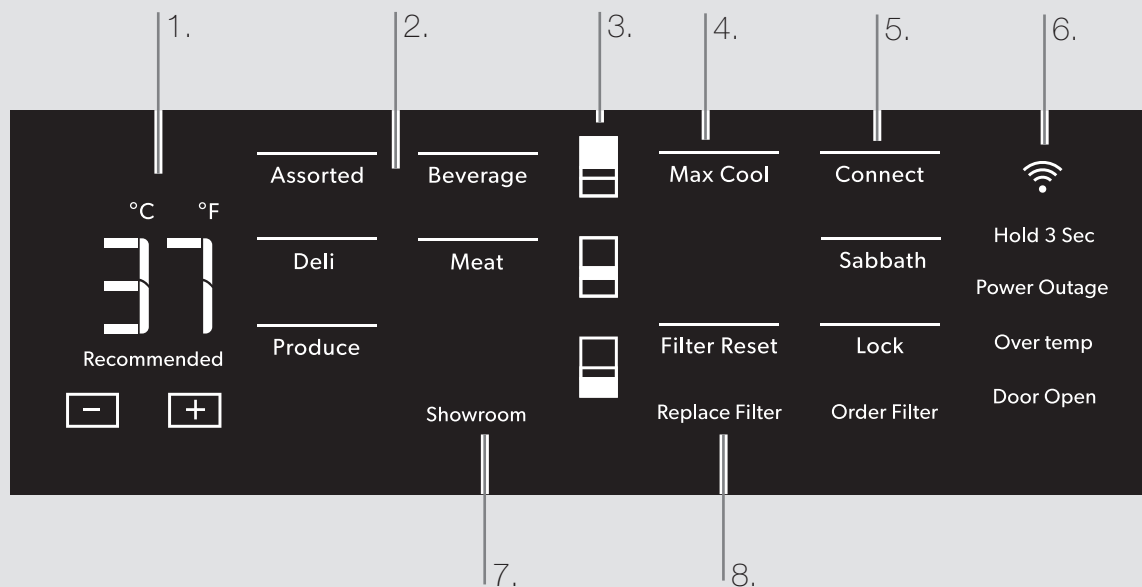
Les filtres à eau EveryDrop® sont certifiés NSF®† pour réduire la présence de la majorité des contaminants incluant le goût et l'odeur de chlore, le plomb, les pesticides et les traces de produits pharmaceutiques. Les filtres de marque EveryDrop® sont les seuls filtres testés et certifiés pour le système de ce réfrigérateur. Remplacer votre filtre EveryDrop® tous les 6 mois pour une réduction maximale des contaminants.

## 15. Machine à glaçons automatique (congélateur)

Assure un approvisionnement constant de glaçons frais en eau filtrée.

†® NSF est une marque déposée de NSF International.

# INTRODUCTION



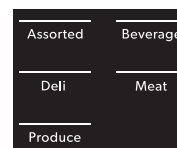
## COMMANDES DU RÉFRIGÉRATEUR

### 1. Afficher et régler la température



Lors de l'installation initiale du réfrigérateur, s'assurer que la commande est encore pré-réglée au réglage recommandé. La température recommandée d'usine est de 37 °F (3 °C). Appuyer sur - ou + pour sélectionner le réglage de température. Appuyer sur les touches - et +, et les maintenir enfoncées pour changer l'affichage de Fahrenheit à Celsius.

### 2. Activer le mode de température du tiroir pour spécialités alimentaires du réfrigérateur



Appuyer sur Assorted, Beverage, Deli, Meat ou Produce (assortiment, boisson, spécialités alimentaires ou produits) pour sélectionner le réglage de température.

### 3. Zones de refroidissement

Certaines caractéristiques du réfrigérateur sont liées à l'éclairage périmétrique.



Appuyer sur une touche de zone pour éclairer la zone correspondante dans le réfrigérateur.

## 4. Max Cool (refroidissement maximal)

Max Cool

La caractéristique Max Cool (refroidissement maximal) est utile lors de périodes d'utilisation intense du réfrigérateur, de l'ajout d'une grande quantité d'aliments ou de l'élévation temporaire de la température de la pièce. Appuyer sur la touche MAX COOL (refroidissement maximal) pour activer le refroidissement maximal. Une fois que le programme Max Cool atteint le refroidissement maximal, le réfrigérateur retourne au réglage précédent.

## 5. Connecté

Connect

La connectivité Wi-Fi permet au réfrigérateur intelligent de se connecter à l'Internet et d'interagir avec l'application JennAir® installée sur un téléphone intelligent ou appareil mobile. Pour plus d'informations, consulter la section "Configuration automatique – Configuration protégée Wi-Fi".

## Sabbath (Sabbat)

Sabbath

Permet d'ouvrir la porte du réfrigérateur pendant le Sabbath ou une autre fête religieuse sans activer les commandes ou l'éclairage intérieurs. Appuyer sur la touche Sabbath (Sabbat) pendant 3 secondes pour activer le mode Sabbath.

## Lock (Verrouillage)

Lock

Le tableau de commande peut être verrouillé pour un nettoyage facile ou pour éviter les modifications involontaires du mode.

## 6. Power Outage (panne de courant)

Power Outage

Le témoin "Power Outage" (panne de courant) indique à l'utilisateur que l'alimentation électrique du réfrigérateur a été interrompue et que la température s'est élevée.

## Over Temp (Alarme de dépassement de température)

Over temp

Aide à éviter la détérioration des aliments et les coûts énergétiques élevés en émettant un signal sonore lorsque les températures du réfrigérateur restent à des niveaux exceptionnellement élevés.

## Door Open (porte ouverte)

Door Open

La fonction d'alarme "Door Open" (porte ouverte) fait retentir un signal d'alarme lorsque la porte du réfrigérateur ou du congélateur est ouverte pendant 5 minutes et que le refroidissement est activé. L'alarme retentit toutes les 2 minutes. Fermer la porte pour éteindre l'alarme de porte ouverte. Pour arrêter le bruit d'alarme avec la porte ouverte, appuyer sur n'importe quelle touche.

## 7. Showroom (exposition)

Showroom

Ce mode est utilisé lorsque le réfrigérateur est exposé dans un magasin de détail ou si on souhaite désactiver le refroidissement et toutes les autres fonctions sauf l'éclairage intérieur.



Pour activer le mode Showroom (exposition), maintenir enfoncées simultanément pendant 3 secondes les icônes des zones inférieure et supérieure.

Pour désactiver le mode Showroom (exposition), maintenir enfoncées simultanément pendant 3 secondes les icônes des zones inférieure et supérieure.

## 8. Filter Reset (Réinitialisation du filtre)

Filter Reset

Affiche l'état du filtre à eau. Pour réinitialiser le filtre, appuyer sur FILTER RESET (réinitialisation du filtre) pendant 3 secondes. Après le compte à rebours, le témoin "Replace Filter" (remplacer le filtre) s'éteint.

## Replace Filter (remplacer le filtre)

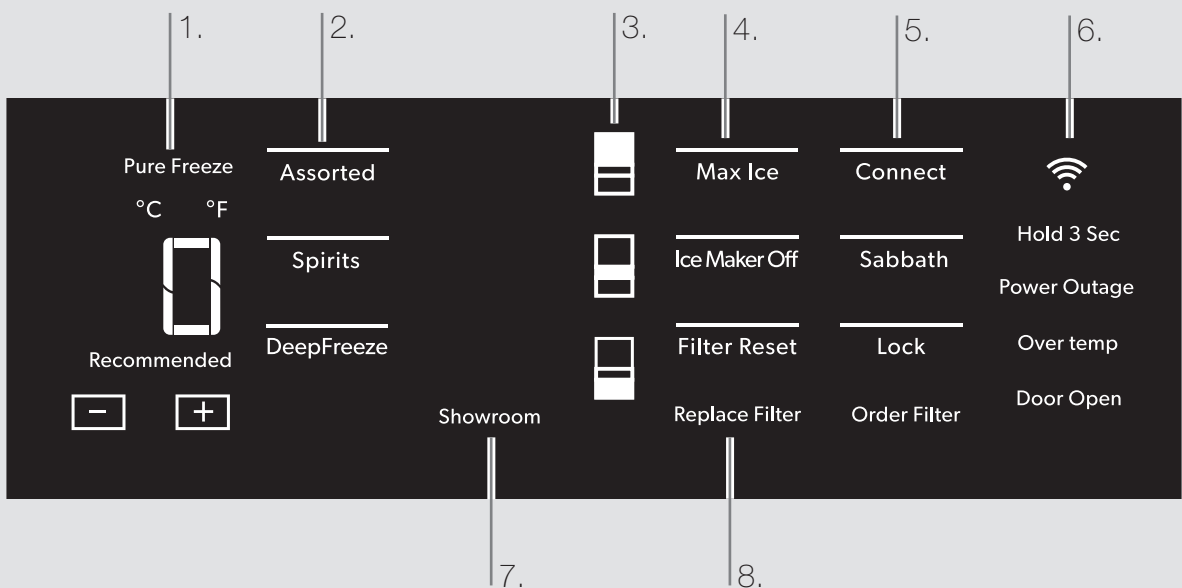
Replace Filter

Remplacer le filtre à eau. L'icône "Replace Filter" (remplacer le filtre) clignote pendant toute la période de distribution d'eau. Si après 14 jours, le filtre à eau n'est pas encore remplacé, l'icône "Replace Filter" (remplacer le filtre) clignote sept fois et une alarme sonore retentit trois fois à la fin de la distribution. Consulter la section "Système de filtration de l'eau". **REMARQUE :** L'icône "Replace Filter" (remplacer le filtre) reste allumée si aucun filtre n'est installé.

## Order Filter (Commander un filtre)

Order Filter

Commander un filtre à eau de remplacement.



## COMMANDES DU CONGÉLATEUR

### 1. Fonction Pure Freeze®

#### Pure Freeze

Le réglage Pure Freeze® est activé automatiquement lorsque le congélateur est à son réglage le plus bas. Le réglage Pure Freeze® réduit les brûlures de congélation.

### Afficher et régler la température



Lors de l'installation initiale du congélateur, s'assurer que la commande est encore pré réglée à la température recommandée. Le réglage recommandé d'usine est de -2 °F (19 °C) pour le congélateur.

Appuyer sur - ou + pour sélectionner le réglage de température.

### 2. Activer le mode de température du tiroir pour spécialités alimentaires du congélateur



Appuyer sur Assorted, Spirits ou DeepFreeze (assortiment, spiritueux ou surgeler) pour sélectionner le réglage de température.

### 3. Zones de refroidissement



Certaines caractéristiques du congélateur sont liées à l'éclairage périmétrique. Appuyer sur les touches de zone pour éclairer la zone correspondante dans le congélateur.



## 4. Max Ice (Production de glaçons maximale)

Max Ice

Le réglage de production de glaçons maximale augmente la capacité de refroidissement du congélateur pour produire plus de glaçons.

## Ice Maker Off (Machine à glaçons à l'arrêt)

Ice Maker Off

Pour éteindre la machine à glaçons, appuyer sur ICE MAKER OFF (éteindre la machine à glaçons).

## 5. Connecté

Connect

La connectivité Wi-Fi permet au congélateur intelligent de se connecter à Internet et d'interagir avec l'application

JennAir® installée sur un téléphone intelligent ou appareil mobile. Pour plus d'informations, consulter la section "Configuration automatique – Configuration protégée Wi-Fi".

## Sabbath (Sabbat)

Sabbath

Permet d'ouvrir la porte du congélateur pendant le Sabbath ou une autre fête religieuse sans activer

les commandes ou l'éclairage intérieurs. Appuyer sur la touche Sabbath (Sabbat) pendant 3 secondes pour activer le mode Sabbath.

## Lock (Verrouillage)

Lock

Le distributeur peut être verrouillé pour un nettoyage facile ou pour éviter la distribution involontaire.

## 6. Power Outage (panne de courant)

Power Outage

Le témoin "Power Outage" (panne de courant) indique à l'utilisateur que

l'alimentation électrique du congélateur a été interrompue et que la température du congélateur s'est élevée.

## Over Temp (Alarme de dépassement de température)

Over temp

Aide à éviter la détérioration des aliments et les coûts énergétiques élevés en

émettant un signal sonore lorsque les températures du congélateur restent à des niveaux exceptionnellement élevés.

## Door Open (porte ouverte)

Door Open

La fonction d'alarme "Door Open" (porte ouverte) fait retentir un signal d'alarme lorsque la porte du

réfrigérateur ou du congélateur est ouverte pendant 5 minutes et que le refroidissement est activé. L'alarme retentit toutes les 2 minutes. Fermer la porte pour éteindre l'alarme de porte ouverte. Pour arrêter le bruit d'alarme avec la porte ouverte, appuyer sur n'importe quelle touche.

## 7. Showroom (exposition)

Showroom

Ce mode est utilisé lorsque le congélateur est exposé dans un magasin de détail ou si on souhaite désactiver le

refroidissement et toutes les autres fonctions sauf l'éclairage intérieur.



Pour activer le mode Showroom (exposition), maintenir enfoncées simultanément pendant 3 secondes les icônes des zones inférieure et supérieure.

Pour désactiver le mode Showroom (exposition), maintenir enfoncées simultanément pendant 3 secondes les icônes des zones inférieure et supérieure.

## 8. Filter Reset (Réinitialisation du filtre)

Filter Reset

Affiche l'état du filtre à eau. Pour réinitialiser le filtre, appuyer sur FILTER RESET (réinitialisation du filtre)

pendant 3 secondes. Après le compte à rebours, le témoin "Replace Filter" (remplacer le filtre) s'éteint.

## Replace Filter (remplacer le filtre)

Replace Filter

Remplacer le filtre à eau. L'icône "Replace Filter" (remplacer le filtre) clignote pendant toute la période de

distribution d'eau. Si après 14 jours, le filtre à eau n'est pas encore remplacé, l'icône "Replace Filter" (remplacer le filtre) clignote sept fois et une alarme sonore retentit trois fois à la fin de la distribution. Consulter la section "Système de filtration de l'eau".

**REMARQUE :** L'icône "Replace Filter" (remplacer le filtre) reste allumée si aucun filtre n'est installé.

## Order Filter (Commander un filtre)

Order Filter

Commander un filtre à eau de remplacement.

# MISE EN PLACE

## AVANT UTILISATION

Avant d'utiliser le réfrigérateur, tous les matériaux d'emballage doivent être enlevés et l'intérieur doit être nettoyé.

- Enlever tout résidu de ruban adhésif et de colle des surfaces du réfrigérateur avant de le mettre en marche. Frotter une petite quantité de savon à vaisselle liquide avec ses doigts sur tout adhésif et essuyer avec de l'eau chaude pour enlever.
- Ne pas utiliser d'instruments coupants, d'alcool à friction, de liquides inflammables ou de nettoyants abrasifs pour enlever le ruban adhésif ou la colle. Ces produits peuvent endommager les surfaces du réfrigérateur.
- Jeter ou recycler tous les matériaux d'emballage.
- Une fois que tous les matériaux d'emballage ont été retirés, nettoyer l'intérieur de votre réfrigérateur.
- Rincer le système de distribution d'eau à l'aide de 3 gallons (11,4 L) d'eau pour évacuer l'air de la canalisation d'eau et pour empêcher le distributeur de goutter ou de réduire le débit du distributeur.  
**REMARQUE :** Si le filtre n'est pas installé correctement, le débit d'eau sera plus faible et la production de glaçons plus lente. La mauvaise installation d'un filtre peut aussi laisser fuir le compartiment du filtre.

## FONCTIONS INTELLIGENTES

Les fonctions intelligentes aident à rendre la vie de tous les jours plus simple en laissant la possibilité à l'utilisateur de surveiller, gérer et entretenir son réfrigérateur à distance.

### COMMANDE DE LA TEMPÉRATURE À DISTANCE

**Description :** Permet de commander la température du réfrigérateur à distance à partir de l'application JennAir® installée sur un appareil mobile.

**Avantages :** Permet de régler la température du réfrigérateur, du congélateur et du garde-manger à distance, pas seulement en se tenant près de l'appareil.

### ÉTAT DU FILTRE À EAU

**Description :** Permet de connaître l'autonomie restante des filtres à eau et à air avant qu'un remplacement soit nécessaire.

**Avantages :** Aide à planifier de façon plus efficace la commande de filtres neufs et leur remplacement.

### RENOUVELLEMENT AUTOMATIQUE

**Description :** L'application JennAir® permet de commander des filtres de rechange, des pièces consommables et des accessoires pour une livraison directement à domicile.

**Avantages :** Simplifie la commande de filtres à eau et à air appropriés (plus besoin d'aller chercher les filtres corrects dans un magasin).

### DÉPASSEMENT DE LA TEMPÉRATURE

**Description :** Envoie une notification lorsque la température du réfrigérateur atteint et dépasse une valeur spécifiée dans les compartiments réfrigérateur et congélateur.

**Avantages :** Informe l'utilisateur de l'état de température excessive pour offrir des données concernant l'état du contenu du réfrigérateur/ congélateur.

## REFROIDISSEMENT MAXIMAL – RÉFRIGÉRATEUR

**Description :** Permet de commander le réfrigérateur à distance à partir de l'application JennAir® installée sur un appareil mobile.

**Avantages :** Permet de mettre en marche et d'arrêter l'option de refroidissement maximal pour abaisser la température du réfrigérateur en vue d'ajouter de nouveaux aliments.

## PRODUCTION DE GLAÇONS MAXIMALE – CONGÉLATEUR

**Description :** Permet de commander le congélateur à distance à partir de l'application JennAir® installée sur un appareil mobile.

**Avantages :** Produit des glaçons frais pour répondre aux besoins de divertissement – jusqu'à 4 livres en 24 heures.

## MODE PURE FREEZE®

**Description :** Permet de recevoir l'état du réfrigérateur à distance sur l'application JennAir® installée sur un appareil mobile.

**Avantages :** Indique quand les températures sont abaissées jusqu'à un niveau de congélation pour réduire les brûlures causées par le froid et aide les produits congelés à conserver leur apparence et leur goût.

## FONCTIONS INTELLIGENTES (SUITE)

### MODE SABBAT

**Description :** Permet d'ouvrir la porte du réfrigérateur ou du congélateur pendant le Sabbat ou une autre fête religieuse sans activer les commandes ou l'éclairage intérieurs. Permet de l'activer et de le désactiver à distance à partir de l'application JennAir® installée sur un appareil mobile.

**Avantages :** Permet de mettre en marche et d'arrêter à distance l'option du mode Sabbat.

### AVERTISSEMENT DE PORTE OUVERTE

**Description :** Envoie une notification lorsque la porte de l'appareil n'a pas été refermée.

**Avantages :** Informe l'utilisateur qu'une porte est ouverte pour qu'il puisse la fermer ou appeler à la maison pour que quelqu'un d'autre ferme la porte avant qu'un problème de température ne se produise.

### PANNE DE COURANT

**Description :** Envoie une notification lorsqu'il y a une panne de courant du réfrigérateur, lorsque le courant est rétabli ou si des températures élevées sont atteintes.

**Avantages :** Avertit l'utilisateur de l'état de l'alimentation et de la disposition du contenu de l'appareil.

## FONCTION DE RÉSEAU INTELLIGENT

Ce produit est compatible Wi-Fi, il requiert une connexion Internet et un routeur sans fil pour permettre la connexion avec le système de gestion énergétique et les autres appareils, systèmes et applications externes.

# MISE EN PLACE

## CONFIGURATION AUTOMATIQUE – CONFIGURATION PROTÉGÉE WI-FI

### IL FAUT :

Un routeur sans fil domestique avec protocole de configuration protégée Wi-Fi (WPS). Le routeur devra être en marche et connecté à Internet.

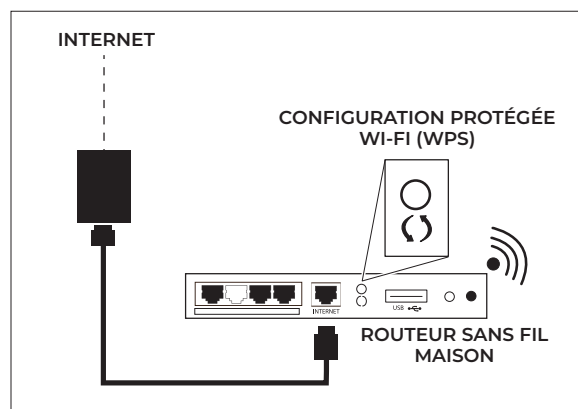
Pour utiliser cette fonctionnalité, il faut :

- Un téléphone intelligent sous Android 4.3 (ou supérieur) avec écran de 1 280 x 720 (ou supérieur), une tablette ou un téléphone intelligent sous iOS 8 (ou supérieur).
- Un routeur sans fil de 2,4 GHz, Wi-Fi b/g/n, connecté à Internet (vérifier avec un appareil intelligent que le signal du réseau sans fil domestique est proche de l'appareil).
- L'identifiant Smart Appliance Identification Number (SAID) de ce réfrigérateur. L'identifiant est situé sur un autocollant à l'intérieur de la porte du filtre à eau.

 SAID: 0123456789    Contains FCC ID: A5UWICHIN01  
MAC ID: 88:E7:12:XX:YY:ZZ    Contains IC: 10248A-WICHIN01

**REMARQUE :** Si votre routeur sans fil domestique n'est pas muni d'un bouton de configuration protégée Wi-Fi (WPS), consulter le manuel d'utilisation du routeur pour confirmer qu'il peut utiliser ce protocole. Si ce n'est pas le cas, utiliser les instructions de configuration alternative proposées au [www.jennair.com/connect](http://www.jennair.com/connect).

### 1. Configurer le routeur




Appuyer sur le bouton de configuration protégée Wi-Fi du routeur. Un témoin lumineux clignotera.

**REMARQUE :** Cette fonction de votre routeur s'active pendant 2 minutes. Il est important d'effectuer la prochaine étape dans cette période pour ne pas devoir recommencer cette procédure.

### 2. Configuration de l'appareil de réfrigération (étape avec délai)

 Appuyer sur **CONNECT** (connexion) au tableau de commande pendant 3 secondes.

 Le témoin d'état de connexion Wi-Fi (📶) au tableau de commande du réfrigérateur clignotera lentement pendant le processus de connexion entre l'appareil et le routeur. Si la connexion réussit, le témoin d'état de connexion Wi-Fi reste allumé.

### SI LA CONNEXION ÉCHOUÉ :

Si la connexion entre l'appareil et le routeur échoue après 2 minutes, le témoin d'état de connexion Wi-Fi clignote rapidement pendant 5 secondes puis s'éteint. Vérifier toutes les instructions de connexion spécifiques au routeur et consulter les instructions alternatives au [www.jennair.com/connect](http://www.jennair.com/connect).

**REMARQUE :** S'il s'agit de votre premier appareil intelligent, le téléchargement de l'application JennAir® et la création d'un compte d'utilisateur en ligne seront nécessaires.

Si il ne s'agit pas de votre premier appareil intelligent, passer à l'étape 4, "Enregistrer votre appareil dans votre compte d'utilisateur".

# MISE EN PLACE

## CONFIGURATION AUTOMATIQUE – CONFIGURATION PROTÉGÉE WI-FI (SUITE)

### DÉCONNEXION ET RECONNEXION WI-FI

Pour déconnecter du réseau Wi-Fi, appuyer sur CONNECT (connexion) pendant 7 à 15 secondes. Le témoin d'état Wi-Fi s'éteint, indiquant que la fonction Wi-Fi est désactivé.

Au tableau de commande, appuyer sur CONNECT (connexion) pendant 3 secondes pour reconnecter au réseau Wi-Fi.

- Le témoin d'état de connexion Wi-Fi (📶) au tableau de commande du réfrigérateur clignotera lentement pendant le processus de connexion entre l'appareil et le routeur.
- Si la connexion réussit, le témoin d'état de connexion Wi-Fi reste allumé.

### DÉCONNEXION ET RECONNEXION DU ROUTEUR

- Pour déconnecter le réfrigérateur du routeur, appuyer sur CONNECT (connecter) pendant plus de 15 secondes. Le témoin Wi-Fi s'éteint indiquant que le réfrigérateur est complètement déconnecté du réseau Wi-Fi et du routeur.
- Pour reconnecter l'appareil au routeur et reconnecter le réseau Wi-Fi, appuyer sur CONNECT (connexion) pendant 3 secondes.

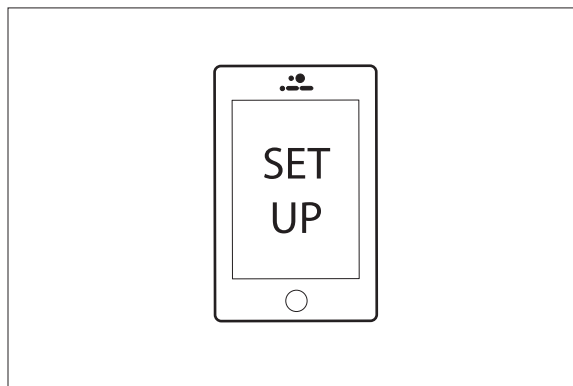
Le témoin d'état de connexion Wi-Fi (📶) au tableau de commande de l'appareil clignotera lentement pendant le processus de connexion entre l'appareil et le routeur.

Si la connexion réussit, le témoin d'état de connexion Wi-Fi cesse de clignoter pour rester allumé.

Appuyer sur le bouton de configuration protégée Wi-Fi du routeur. Un témoin lumineux clignotera.

**REMARQUE :** Cette fonction de votre routeur s'active pendant 2 minutes. Il est important d'effectuer la prochaine étape dans cette période pour ne pas devoir recommencer cette procédure.

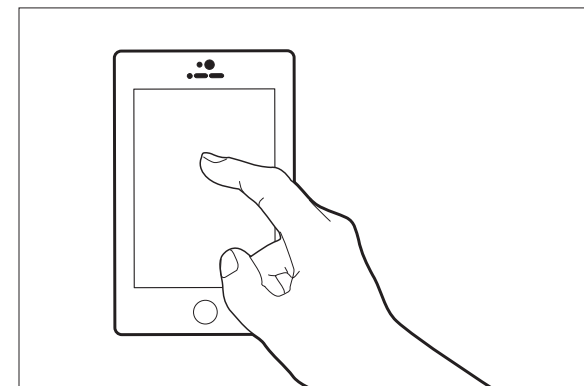
3. Téléchargement de l'application JennAir® et configuration du compte d'utilisateur



À l'aide de votre appareil mobile, téléphone intelligent ou tablette, visiter le [www.jennair.com/connect](http://www.jennair.com/connect) et suivre les instructions de téléchargement et d'installation de l'application JennAir®.

Une fois installée, toucher l'icône de l'application JennAir® pour l'ouvrir. Suivre les étapes de configuration du compte d'utilisateur. L'application s'assure d'obtenir les renseignements personnels et du domicile nécessaires, ainsi que les renseignements au sujet de votre fournisseur d'électricité.

4. Enregistrement de votre réfrigérateur dans votre compte d'utilisateur



Il est nécessaire d'enregistrer le réfrigérateur dans son compte d'utilisateur pour tirer plein avantage des fonctions intelligentes. Lorsque l'application le demande, saisir l'identifiant SAID (sensible à la case) inscrit sur un autocollant situé à l'intérieur de la porte du filtre à eau.

### Mon identifiant Smart Appliance est :

Le témoin d'état de connexion Wi-Fi de la commande du réfrigérateur clignotera lentement pendant le processus de connexion entre le réfrigérateur et le routeur.

**REMARQUE :** Ce clignotement ne se produit que lors du premier enregistrement, après la mise à disposition. Aucun clignotement ne se produit pendant la reconnexion automatique une fois la connexion établie.

- Une fois le réfrigérateur connecté au réseau Wi-Fi domestique, la connexion restera active même si une panne de courant se produit, l'appareil est déplacé ou l'appareil est entreposé.
- Le processus de connexion devra être répété en cas de remplacement du routeur ou d'achat d'un nouvel appareil intelligent.

# MISE EN PLACE

## CONFIGURATION MANUELLE (PREMIÈRE UTILISATION) – MÉTHODE DE POINT D'ACCÈS

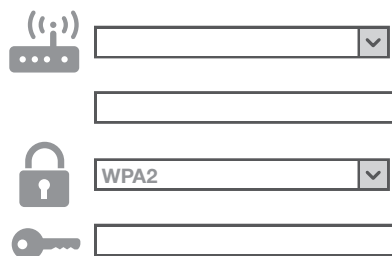
Cette procédure utilise la technologie Micro Access Point et s'applique si le routeur ne prend pas en charge WPS.

1. Avant de commencer la procédure de configuration, noter le nom du réseau sans fil (SSID), son mot de passe et l'identifiant SAID de l'appareil. Ceux-ci seront nécessaires lors du processus d'installation.
2. Mettre sous tension le routeur et s'assurer que la connexion Internet fonctionne.
3. Sur son appareil, activer le processus de déploiement en utilisant la méthode AP. L'icône Wi-Fi clignotante devrait clignoter à l'affichage de l'appareil.
4. Allumer son appareil intelligent (téléphone ou tablette) et accéder à la liste de réseaux sans fil accessibles dans le menu des paramètres.
5. L'appareil a créé un réseau sans fil (SSID). Sélectionner ce réseau à partir de la liste des réseaux sans fil accessibles. Le nom du réseau est composé du préfixe du type de l'appareil (p. ex., laveuse, sècheuse, etc.) suivi de l'adresse MAC (ex., REFRID\_88\_E7\_12\_B3\_66\_C3). Si ce nom ne s'affiche pas, il faut peut-être actualiser la liste des réseaux ou vérifier si l'icône Wi-Fi est allumée à l'affichage de l'appareil.
6. Une fois que vous avez sélectionné l'identifiant SSID, un mot de passe sera requis. Utiliser le code SAID comme mot de passe (p. ex., 444441ABCD).  
**REMARQUE :** Ce mot de passe est sensible à la casse.
7. Connexion au réseau.
8. Attendre jusqu'à ce que l'appareil confirme la connexion au réseau Wi-Fi de l'électroménager.

9. Ouvrir un navigateur Web. Si rien ne s'affiche, taper "192.168.10.1" dans la barre d'adresse (URL) et appuyer sur Enter (entrée). Le navigateur affiche une page Web Smart. C'est la page de configuration du transmetteur Wi-Fi de son appareil.
10. Dans la liste déroulante des réseaux accessibles, sélectionner le nom de son réseau sans fil domestique.



11. Si le réseau sans fil domestique est masqué, sélectionner "Autre" et entrer manuellement son nom (SSID) et son protocole de sécurité.



12. Entrer le mot de passe pour le réseau sans fil domestique, si nécessaire, et le soumettre. Ne pas oublier, ce type de mot de passe est sensible à la casse.



13. Cliquer sur la touche "→" pour soumettre et attendre quelques secondes.
14. L'icône Wi-Fi sur l'appareil doit cesser de clignoter et s'allumer en permanence une fois la connexion établie. Sinon, débrancher et reconnecter l'appareil à l'alimentation principale et répéter la procédure.
15. Le processus de configuration est terminé.

## TABLETTES

Les tablettes de l'appareil sont réglables afin de répondre aux besoins de rangement.

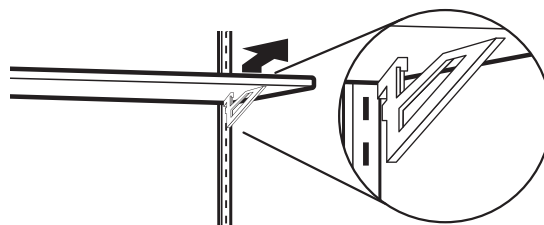
Afin de pouvoir trouver plus facilement l'article que l'on cherche, on peut remiser ensemble des aliments semblables dans l'appareil et ajuster les tablettes pour les adapter aux différentes tailles d'articles. Ceci réduira également la durée d'ouverture de la porte du réfrigérateur et permettra d'économiser de l'énergie.

### Importants renseignements à savoir au sujet des tablettes et des couvercles en verre :

Ne pas nettoyer les tablettes ou couvercles en verre avec de l'eau tiède quand ils sont froids. Les tablettes et les couvercles peuvent se briser s'ils sont exposés à des changements soudains de température ou à un impact tel que coup brusque. Le verre trempé est conçu pour éclater en d'innombrables pièces minuscules. Ceci est normal. Les tablettes et les couvercles en verre sont lourds. Les saisir à deux mains lors de leur dépose afin d'éviter de les faire tomber.

### POUR ENLEVER ET RÉINSTALLER LA TABLETTE ET LES SUPPORTS DE TABLETTE :

1. Enlever la tablette en l'inclinant vers le haut à l'avant et en la retirant des supports de tablette. Enlever la tablette tout droit vers l'extérieur.
2. Pour replacer la tablette, repositionner les supports de tablette à l'endroit souhaité. Vérifier qu'ils sont de niveau et qu'ils sont bien insérés dans les encoches de supports.

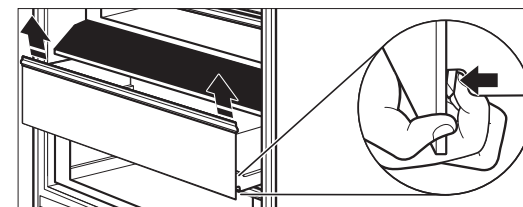


3. Placer l'arrière de la tablette dans les supports de tablette.
4. Abaisser l'avant de la tablette et s'assurer qu'elle est bien en position.

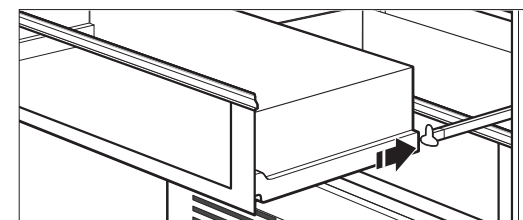
## TIROIRS POUR SPÉCIALITÉS ALIMENTAIRES/À LÉGUMES

### RETRAIT ET RÉINSTALLATION DES TIROIRS POUR SPÉCIALITÉS ALIMENTAIRES/À LÉGUMES :

1. Pour retirer les tiroirs pour spécialités alimentaires/à légumes, appuyer sur les attaches situées au bas du tiroir.
2. Soulever le tiroir et le tirer tout droit pour le retirer.



1. Pour replacer les tiroirs pour spécialités alimentaires/à légumes, déployer complètement les glissières.
2. À l'aide de ses doigts, tenir les glissières en place lors du placement du tiroir sur les glissières.



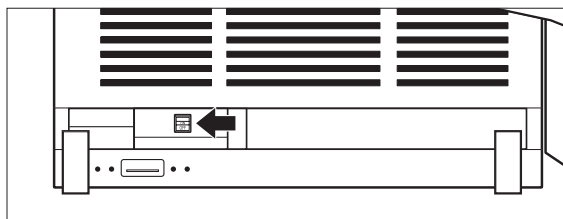
# ENTRETIEN ET NETTOYAGE

## NETTOYAGE



Voici les étapes recommandées pour nettoyer l'appareil.

1. Appuyer sur l'interrupteur d'alimentation pour le mettre en position d'arrêt.
  - A. Pour accéder à l'interrupteur d'alimentation, retirer la plinthe en la tirant pour la dégager des supports.



2. Retirer toutes les pièces amovibles (comme les tablettes et les tiroirs) de l'intérieur de l'appareil.

3. Laver à la main, rincer et sécher les pièces amovibles et les surfaces internes soigneusement. Utiliser une éponge propre ou un linge doux et un détergent doux dans de l'eau tiède.
  - Ne pas utiliser de nettoyants puissants ou abrasifs tels que les nettoyants à vitre en atomiseurs, nettoyants à récurer, liquides inflammables, cires nettoyantes, détergents concentrés, agents de blanchiment ou nettoyants contenant du pétrole sur les pièces en plastique, les garnitures intérieures et garnitures de portes ou sur les joints de portes. Ne pas utiliser d'essuie-tout, de tampons à récurer ou d'autres outils de nettoyage abrasifs. Ces produits risquent d'égratigner ou d'endommager les matériaux.
  - Pour aider à éliminer les odeurs, on peut laver les parois intérieures avec un mélange d'eau tiède et de bicarbonate de soude (2 c. à soupe pour 1 pte [26 g pour 0,95 L] d'eau).
4. Laver les surfaces extérieures en acier inoxydable et surfaces extérieures peintes avec une éponge propre ou un linge doux et un détergent doux dans de l'eau tiède. Ne pas utiliser de produits de nettoyage forts ou abrasifs, ni de nettoyants à base de chlore. Sécher soigneusement avec un chiffon doux.
5. Appuyer sur l'interrupteur d'alimentation pour le mettre en position de marche.
6. Pour la replacer, pousser la plinthe sur ses supports pour engager les tampons de maintien.

## ENTRETIEN DU PANNEAU EN CUIR

Si l'appareil est utilisé de façon normale, épousseter et passer l'aspirateur régulièrement dans les fentes ou la base est tout ce qu'il faut pour nettoyer le panneau de cuire.

Pour les petites taches, essuyer immédiatement tout excès de liquide avec un chiffon absorbant ou une éponge propre. Au besoin, utiliser un chiffon légèrement humide d'eau tiède et propre, puis laisser sécher naturellement.

### REMARQUE :

- Utiliser un séchoir à cheveux peut endommager le panneau en cuir, il ne faut donc pas utiliser de séchoir à cheveux.
- Ne pas utiliser de savon pour cuir, de solvant de nettoyage, cire pour meubles, d'huile, de vernis, de nettoyant abrasif, de détergent ou d'ammoniac sur le panneau en cuir.



# ENTRETIEN ET NETTOYAGE

## ENTRETIEN AVANT LES VACANCES

1. Enlever tous les aliments du réfrigérateur/ congélateur.
2. Vider le bac à glaçons.
3. Appuyer sur l'interrupteur d'alimentation pour le mettre en position d'arrêt.
  - A. Pour accéder à l'interrupteur d'alimentation, retirer la plinthe en la tirant pour la dégager des supports.
  - B. Pour la replacer, pousser la plinthe sur ses supports pour engager les tampons de maintien.
4. Nettoyer le réfrigérateur/congélateur, l'essuyer et bien le sécher.
5. À l'aide d'un ruban adhésif, placer des blocs de caoutchouc ou de bois dans la partie supérieure de chaque porte de façon à ce qu'elles soient suffisamment ouvertes pour permettre à l'air d'entrer et d'éviter l'accumulation d'odeur ou de moisissure.

## PANNES DE COURANT

Si le service doit être interrompu pendant 24 heures ou moins, garder la porte fermée pour aider les aliments à demeurer froids et congelés.

Si l'alimentation électrique doit être interrompue pendant plus de 24 heures, faire l'une des choses suivantes :

- Retirer tous les aliments congelés et les entreposer dans un entrepôt frigorifique.
- Placer 2 lb (907 g) de glace sèche dans le congélateur pour chaque pied cube (28 L) d'espace de congélation. Ceci permettra de garder les aliments congelés durant 2 à 4 jours.
- Si l'on ne dispose ni d'un entrepôt frigorifique, ni de glace carbonique, consommer les aliments périssables ou les mettre en conserve immédiatement.

**NE PAS OUBLIER :** Un congélateur plein restera froid plus longtemps qu'un congélateur partiellement rempli. Un congélateur plein de viande demeure froid plus longtemps qu'un congélateur rempli de pains et de pâtisseries. Si les aliments contiennent des cristaux de glace, ils peuvent être remis à congeler, toutefois la qualité et la saveur risquent d'en être affectées. Si les aliments semblent de piètre qualité, les jeter.

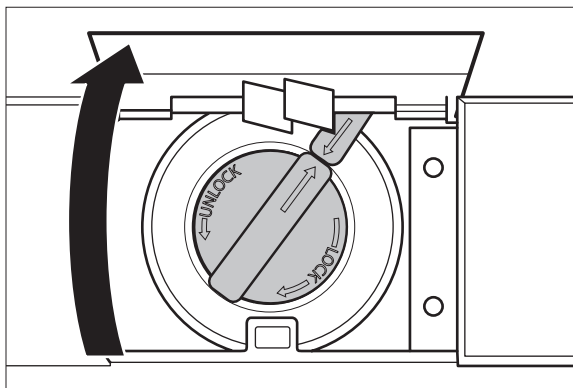
# ENTRETIEN ET NETTOYAGE

## REPLACER LE FILTRE À EAU

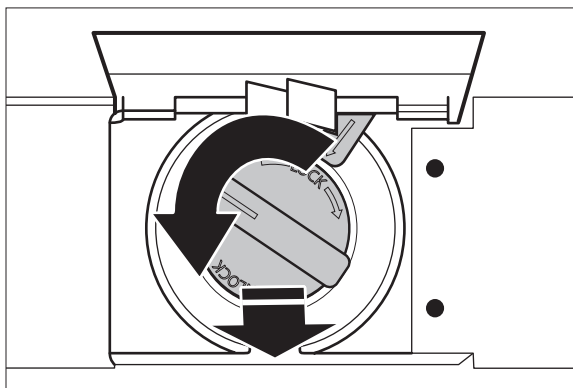
Le filtre à eau devrait être remplacé tous les 6 mois en fonction d'un débit de 0,75 à 0,80 gal/min (1,89 à 2,27 L/min) pour un total de 200 gallons (757 L) d'eau filtrée.

**REMARQUE :** Si le filtre n'est pas installé correctement, le débit d'eau sera plus faible et la production de glaçons plus lente. La mauvaise installation d'un filtre peut aussi laisser fuir le compartiment du filtre.

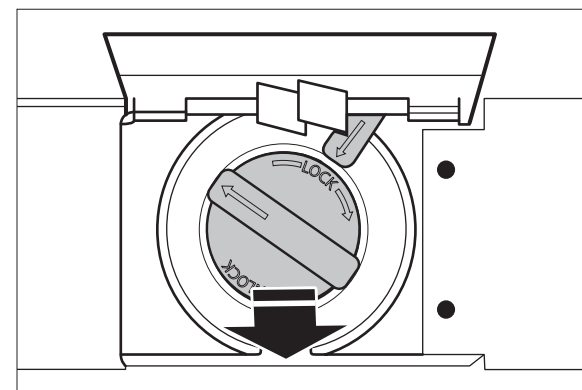
1. Pour ouvrir, pousser vers le haut la porte du filtre à eau, située en haut à gauche, au-dessus du compartiment du réfrigérateur ou du congélateur.



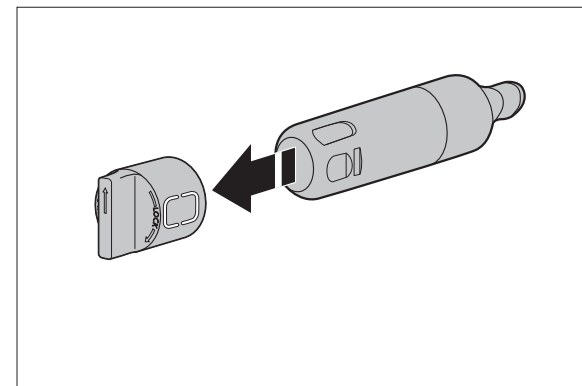
2. Faire tourner le filtre à eau de 90° dans le sens antihoraire pour le déverrouiller.



3. Retirer le filtre du compartiment.

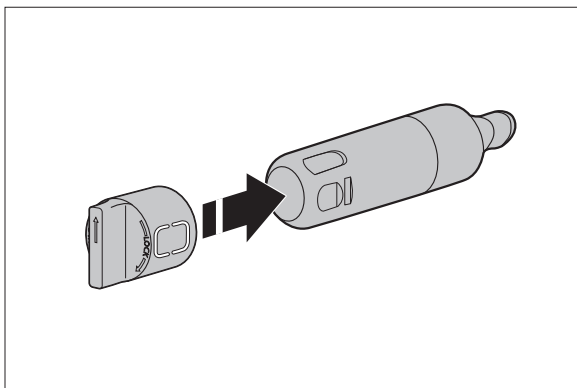


4. Retirer le capuchon du filtre à eau.

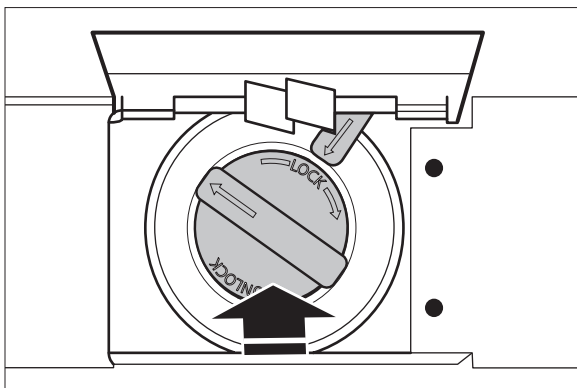


## ENTRETIEN ET NETTOYAGE

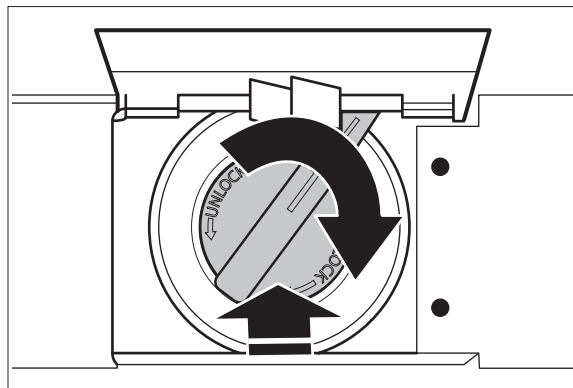
5. Installer le capuchon de filtre à eau sur le nouveau filtre. Aligner correctement les flèches pour que les rainures du filtre soient alignées avec les nervures du capuchon.



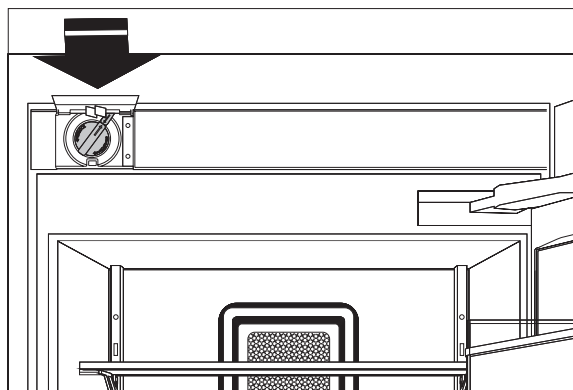
6. Placer le filtre dans le compartiment.



7. Tourner le filtre à eau de 90° dans le sens horaire pour le verrouiller en place et aligner les flèches.



8. Refermer la porte du filtre à eau.



9. Le témoin de filtre ne se réinitialise pas automatiquement lorsque le nouveau filtre est installé. Pour réinitialiser le filtre, appuyer sur FILTER RESET (réinitialisation du filtre) pendant 3 secondes. Après un décompte de 3 secondes, le témoin du bouton de réinitialisation du filtre clignote 3 fois et le témoin de remplacement du filtre s'éteint.

# DÉPANNAGE

## UTILISATION

### L'APPAREIL NE FONCTIONNE PAS

#### **AVERTISSEMENT**



##### Risque de choc électrique

**Brancher sur une prise à 3 alvéoles reliée à la terre.**

**Ne pas enlever la broche de liaison à la terre.**

**Ne pas utiliser un adaptateur.**

**Ne pas utiliser un câble de rallonge.**

**Le non-respect de ces instructions peut causer un décès, un incendie ou un choc électrique.**

- **Le cordon d'alimentation électrique est-il débranché?** Brancher sur une prise de courant à 3 alvéoles, reliée à la terre.
- **La prise électrique fonctionne-t-elle?** Brancher une lampe pour voir si la prise fonctionne.
- **Un fusible du domicile est-il grillé ou un disjoncteur s'est-il ouvert?** Remplacer le fusible ou réenclencher le disjoncteur. Si le problème persiste, appeler un électricien.
- **Les commandes sont-elles activées?** S'assurer que les commandes de l'appareil sont allumées. Voir la section "Commandes du réfrigérateur" ou "Commandes du congélateur".
- **Le réfrigérateur est-il en train de se dégivrer?** Votre réfrigérateur fera fonctionner un programme de dégivrage automatique. Vérifier après 30 minutes pour voir s'il fonctionne.

- **S'agit-il d'une nouvelle installation?** Accorder 24 heures après l'installation pour que le réfrigérateur se refroidisse complètement.

**REMARQUE :** Le fait de placer la commande de température sur le réglage le plus froid ne refroidira pas le compartiment plus rapidement.

#### **LE MOTEUR SEMBLE FONCTIONNER EXCESSIVEMENT**

Il se peut que ce nouveau réfrigérateur fonctionne plus longtemps que l'ancien en raison du compresseur et des ventilateurs à haute efficacité. L'appareil peut fonctionner plus longtemps encore si la température de la pièce est élevée, si une grande quantité de nourriture a été ajoutée, si les portes sont fréquemment ouvertes ou si elles ont été laissées ouvertes.

#### **L'APPAREIL EST BRUYANT**

Le bruit global des réfrigérateurs a été réduit au cours des années. Du fait de cette réduction, il est possible d'entendre des bruits intermittents provenant du nouvel appareil qui n'avaient pas été décelés avec votre ancien modèle. Voici une liste de sons inconnus, mais normaux, accompagnée d'explications.

- **Bourdonnement** – entendu lorsque le robinet d'arrivée d'eau s'ouvre pour remplir la machine à glaçons
- **Pulsation** – les ventilateurs/le compresseur se règlent afin d'optimiser la performance
- **Cliquetis** – écoulement de liquide réfrigérant, mouvement des conduites d'eau ou d'objets posés sur le dessus du réfrigérateur
- **Grésillement/gargouillement** – de l'eau tombe sur l'élément de chauffage durant le programme de dégivrage
- **Bruit d'éclatement** – contraction/expansion des parois internes, particulièrement lors du refroidissement initial

- **Bruit d'écoulement d'eau** – peut être entendu lorsque la glace fond lors du programme de dégivrage et que l'eau s'écoule dans le plateau de dégivrage

#### **AUCUNE ALARME SONORE DE PORTE OUVERTE NE RETENTIT**

##### **La porte a-t-elle été ouverte moins de 5 minutes?**

L'alarme de porte ouverte ne clignote que si la porte est restée ouverte pendant plus de 5 minutes. L'alarme sonore retentit la première fois que la porte reste ouverte pendant plus de 5 minutes. Les alarmes de porte ouverte subséquentes se feront toutes sous forme de clignotement. L'alarme sonore doit être réinitialisée chaque fois.

#### **LES PORTES NE FERMENT PAS COMPLÈTEMENT**

- **La porte est-elle bloquée en position ouverte?** Déplacer les emballages d'aliments pour libérer la porte.
- **Un compartiment ou une tablette bloquent-ils le passage?** Replacer le compartiment ou la tablette en position correcte.

#### **LES PORTES SONT DIFFICILES À OUVRIR**

#### **AVERTISSEMENT**



##### Risque d'explosion

**Utiliser un produit de nettoyage ininflammable.**

**Le non-respect de cette instruction peut causer un décès, une explosion ou un incendie**

- **Les joints sont-ils collants ou sales?** Nettoyer les joints au savon doux et à l'eau tiède.

## TEMPÉRATURE ET HUMIDITÉ

### LA TEMPÉRATURE EST TROP ÉLEVÉE

- **S'agit-il d'une nouvelle installation?**  
Accorder 24 heures après l'installation pour que l'appareil se refroidisse complètement. L'augmentation de la température près de l'avant du réfrigérateur peut en rendre la surface chaude au toucher.
- **Les portes sont-elles souvent ouvertes ou laissées ouvertes?** Cela permet à l'air chaud de pénétrer dans le réfrigérateur. Réduire les ouvertures de porte et garder les portes complètement fermées.
- **A-t-on ajouté une grande quantité d'aliments?** Attendre quelques heures pour permettre à l'appareil de revenir à une température normale.
- **Les réglages sont-ils corrects pour les conditions existantes?** Placer les commandes à un réglage plus froid. Vérifier la température au bout de 24 heures. Voir la section "Commandes du réfrigérateur" ou "Commandes du congélateur".
- **L'appareil ne se refroidit pas?** Mettre l'appareil hors tension, puis le mettre sous tension pour le réinitialiser. Si cela ne résout pas le problème, faire un appel de service.
- **Les événements sont-ils obstrués?** Enlever tout article placé devant les événements.

### IL Y A ACCUMULATION D'HUMIDITÉ À L'INTÉRIEUR

**REMARQUE :** Une certaine accumulation d'humidité est normale.

- **La pièce est-elle humide?** Ceci contribue à l'accumulation de l'humidité.
- **Les portes sont-elles souvent ouvertes ou laissées ouvertes?** Cela permet à l'air humide de pénétrer dans le réfrigérateur. Réduire les ouvertures de porte et garder les portes complètement fermées.

## GLAÇONS ET EAU

### LA MACHINE À GLAÇONS NE PRODUIT PAS OU PAS SUFFISAMMENT DE GLAÇONS

- **La machine à glaçons est-elle allumée?**  
Vérifier le tableau de commande pour s'assurer que la machine à glaçons est sous tension.
- **S'agit-il d'une nouvelle installation?**  
Attendre 24 heures après l'installation de la machine à glaçons pour que la production de glaçons commence. Attendre 72 heures pour que la production de glaçons soit complète.
- **A-t-on récemment prélevé une grande quantité de glaçons?** Attendre 24 heures pour que la machine à glaçons produise plus de glaçons.
- **Un système de filtration de l'eau à osmose inverse est-il connecté à l'alimentation en eau froide?** Ceci peut réduire la pression de l'eau. Voir la section "Spécifications de l'alimentation en eau" des Instructions d'installation.

### LES GLAÇONS SONT CREUX OU PETITS

**REMARQUE :** Cela indique une faible pression d'eau.

- **Un système de filtration de l'eau à osmose inverse est-il connecté à l'alimentation en eau froide?** Ceci peut réduire la pression de l'eau. Voir la section "Spécifications de l'alimentation en eau" des Instructions d'installation.
- **D'autres questions concernant la pression de l'eau?** Appeler un plombier agréé et qualifié.

### LES GLAÇONS SONT AGGLOMÉRÉS DANS LE BAC D'ENTREPOSAGE

- Il est normal que du givre se forme sur le dessus du bac d'entreposage; ceci est dû aux ouvertures et fermetures de la porte du congélateur.
- Il est normal que les glaçons s'agglomèrent lorsqu'ils ne sont pas fréquemment distribués ou utilisés. Il est conseillé de vider et de nettoyer le bac à glaçons aussi souvent que nécessaire.

# DÉPANNAGE

## GLAÇONS ET EAU (SUITE)

### GOÛT, ODEUR OU COULEUR GRISE DES GLAÇONS

- **Les raccords de plomberie sont-ils neufs?** Des raccords de plomberie neufs peuvent entraîner une décoloration ou un mauvais goût des glaçons.
- **Les glaçons ont-ils été gardés trop longtemps?** Jeter les glaçons. Laver le compartiment à glaçons. Attendre 24 heures pour la fabrication de nouveaux glaçons.
- **Y a-t-il un transfert d'odeurs de nourriture?** Utiliser des emballages hermétiques et à l'épreuve de l'humidité pour conserver les aliments.
- **L'eau contient-elle des minéraux (tels que le soufre)?** L'installation d'un filtre à eau peut être requise afin d'enlever les minéraux.
- **Un filtre à eau est-il installé sur le réfrigérateur?** Une décoloration grise ou foncée des glaçons indique que le système de filtration de l'eau nécessite un rinçage supplémentaire.

### LA MACHINE À GLAÇONS NE FONCTIONNE PAS CORRECTEMENT

- **Porte du congélateur complètement fermée?** Bien fermer la porte. Si elle ne ferme pas complètement, voir la section "Les portes ne ferment pas complètement".
- **Le bac à glaçons est-il bien installé?** S'assurer que le bac à glaçons est bien en place.
- **S'agit-il d'une nouvelle installation?** Attendre 24 heures après l'installation de la machine à glaçons pour que la production de glaçons commence. Attendre 72 heures pour que la production de glaçons soit complète.
- **D'autres glaçons ont-ils été ajoutés au bac?** Utiliser seulement des glaçons produits par la machine à glaçons actuelle.

### LE DISTRIBUTEUR D'EAU NE FONCTIONNE PAS CORRECTEMENT

- **La pression en eau est-elle d'au moins 30 lb/po<sup>2</sup> (207 kPa)?** La pression de l'eau du domicile détermine l'écoulement d'eau du distributeur. Voir la section "Spécifications de l'alimentation en eau" des Instructions d'installation.
- **S'agit-il d'une nouvelle installation?** Rincer et remplir le système de distribution d'eau.
- **Un filtre à eau est-il installé sur le réfrigérateur?** Il est possible que le filtre soit obstrué ou mal installé.
- **Un système de filtration de l'eau à osmose inverse est-il connecté à votre canalisation d'eau froide?** Voir la section "Spécifications de l'alimentation en eau" des Instructions d'installation.

## LAMPES

### LES AMPOULES NE FONCTIONNENT PAS

- **L'appareil est-il en mode Sabbath?** Voir la section "Commandes du réfrigérateur" ou "Commandes du congélateur".
- **La porte a-t-elle été ouverte plus de 5 minutes?** Voir la section "Commandes du réfrigérateur" ou "Commandes du congélateur".

**REMARQUE :** Les lampes dans le réfrigérateur et le congélateur sont des DEL périmétriques et n'ont pas besoin d'être remplacées. Si les lampes ne s'allument pas lorsqu'on ouvre la porte, composer le **1 800 JENNAIR (1 800 536-6247)** pour obtenir de l'aide ou un dépannage.

## CONTACT

### SI VOUS AVEZ BESOIN DE SERVICE

Consultez la page de garantie du présent manuel.

### SI VOUS AVEZ BESOIN DE PIÈCES DE RECHANGE

Pour commander des pièces de rechange, nous vous recommandons d'utiliser seulement des pièces spécifiées par l'usine. Les pièces spécifiées par l'usine conviendront et fonctionneront bien, car elles sont fabriquées selon la même précision que celle utilisée pour fabriquer chaque nouvel appareil JennAir®.

Pour savoir où trouver des pièces spécifiées par l'usine dans votre région, appelez-nous ou contactez le centre de service désigné le plus proche.

### AUX É.-U.

Appelez sans frais le centre d'expérience à la clientèle JennAir au **1 800 JENNAIR (1 800 536-6247)**, ou visitez notre site Web au **www.jennair.com**.

Nos conseillers peuvent vous aider sur les points suivants :

- Caractéristiques et spécifications de notre gamme complète d'appareils ménagers.
- Trouver un revendeur local d'appareils de la marque JennAir®.
- Renseignements sur l'installation.
- Procédures d'utilisation et d'entretien.
- Vente d'accessoires et de pièces de rechange.
- Assistance spécialisée au client (langue espagnole, malentendants, malvoyants, etc.).

### POUR PLUS D'ASSISTANCE

Si vous avez besoin de plus d'assistance, vous pouvez écrire à JennAir en soumettant toute question ou problème à :

JennAir® Brand Home Appliances  
Customer eXperience Center  
553 Benson Road  
Benton Harbor, MI 49022-2692

Veuillez indiquer dans votre correspondance un numéro de téléphone où l'on peut vous joindre dans la journée.

## AU CANADA

Appelez sans frais le centre d'expérience à la clientèle JennAir Canada au **1 800 JENNAIR (1 800 536-6247)** ou visitez notre site Web au **www.jennair.ca**.

Nos conseillers peuvent vous aider sur les points suivants :

- Demander une intervention :  
Les techniciens de service désignés pour la gamme d'appareils électroménagers JennAir® sont formés pour remplir la garantie des appareils et fournir un service après la garantie, partout au Canada.
- Caractéristiques et spécifications de notre gamme complète d'appareils ménagers.
- Références aux revendeurs JennAir® locaux.
- Procédures d'utilisation et d'entretien.
- Vente d'accessoires et de pièces de rechange.

### POUR PLUS D'ASSISTANCE

Si vous avez besoin de plus d'assistance, vous pouvez écrire à JennAir Canada en soumettant toute question ou tout problème à :

JennAir® Brand Home Appliances  
Customer eXperience Centre  
200 – 6750 Century Ave.  
Mississauga, Ontario L5N 0B7

Veuillez indiquer dans votre correspondance un numéro de téléphone où l'on peut vous joindre dans la journée.

## ACCESSOIRES

Pour commander des accessoires, composez le **1 800 JENNAIR (1 800 536-6247)** et demandez le numéro de pièce approprié ci-dessous ou contactez votre marchand autorisé JennAir®. Au Canada, composer le **1 800 536-6247**.

### FILTRE À EAU DE RECHANGE :

Aux États-Unis, commander le numéro de pièce EDR2RXD1

## AVIS D'APPLICATION DE LA RÉGLEMENTATION DE LA CONNEXION DES ÉLECTROMÉNAGERS

### Déclaration de conformité de la Commission fédérale des communications (FCC)

Cet appareil a été testé et déclaré conforme aux limites pour appareils numériques de classe B, selon la partie 15 des règlements de la FCC (Federal Communications Commission). Ces limites sont conçues dans le but d'assurer une protection raisonnable contre des interférences nuisibles dans une installation résidentielle. Cet appareil génère, utilise et peut émettre l'énergie de fréquence radio et, s'il n'est pas installé ni utilisé conformément aux instructions, peut causer des interférences nuisibles aux communications radio. Cependant, il se peut que des interférences se produisent dans une installation particulière. Si cet appareil cause des interférences nuisibles à la réception radio ou télévision, elles peuvent être déterminées par le fait d'allumer et d'éteindre l'appareil, l'utilisateur est encouragé à essayer de corriger les interférences en suivant l'un ou plusieurs des conseils suivants :

- Réorienter ou déplacer l'antenne de réception.
- Augmenter la distance séparant l'appareil du récepteur.
- Brancher l'appareil sur un circuit différent de celui où le récepteur est branché.
- Contacter un revendeur ou un technicien radio/télévision qualifié pour obtenir de l'aide.

Cet appareil est conforme à la norme FCC, partie 15. Le bon fonctionnement de l'appareil est fonction de deux conditions :

1. Cet appareil ne doit pas produire de brouillage dommageable et
2. cet appareil doit accepter tout brouillage radioélectrique subi, même si le brouillage est susceptible d'en compromettre le fonctionnement.

Tous changements ou toutes modifications n'ayant pas été expressément approuvés par la partie responsable de la conformité pourraient annuler l'autorité de l'utilisateur à utiliser l'appareil.

### Renseignements sur l'exposition aux radiofréquences (RF)

Pour satisfaire aux exigences de la FCC et IC d'exposition pour les appareils de transmission mobiles, cet émetteur ne devrait être qu'utilisé ou installé dans un lieu séparant l'antenne et toutes les personnes par 20 cm ou plus.

Pour satisfaire aux exigences de la FCC et IC de limite d'exposition pour la population générale/incontrôlée, l'antenne utilisée avec cet émetteur doit être installée à une distance de 20 cm ou plus de toute personne et ne doit pas être co-utilisée ou fonctionner en même temps qu'une autre antenne ou qu'un émetteur.

### Déclaration de conformité d'Industrie Canada (IC)

Cet appareil satisfait aux prescriptions des documents CNR/RSS d'Industrie Canada (utilisation sans licence). Le bon fonctionnement de l'appareil est fonction de deux conditions :

1. Cet appareil ne doit pas produire de brouillage;
2. Cet appareil doit être compatible avec n'importe quelle interférence, y compris des interférences causées par l'utilisation involontaire de l'appareil.

En vertu des règlements d'Industrie Canada, cet émetteur radio ne peut fonctionner qu'à l'aide d'une antenne d'un type et de gain maximum (ou moins) approuvé pour l'émetteur par Industrie Canada. Pour réduire les interférences radio potentielles pour les autres utilisateurs, le type d'antenne et son gain doivent être choisis de sorte que la puissance isotrope rayonnée équivalente (PIRE) ne dépasse pas ce qui est nécessaire pour une communication réussie.

Cet émetteur radio IC : 10248A-XPWG3 a été approuvé par Industrie Canada pour fonctionner avec les types d'antennes énumérés ci-dessous avec le gain maximal admissible et l'impédance d'antenne requise pour chaque type d'antenne indiqué. Les types d'antennes non inclus dans cette liste, ayant un gain supérieur au gain maximum indiqué pour ce type, sont strictement interdits pour une utilisation avec cet appareil.

Type d'antenne	Gain maximum d'antenne admissible (dBi)	Impédance requise (OHM)
Encoche	1,76	50

Pour satisfaire aux exigences de la FCC et d'Industrie Canada sur les l'exposition aux radiations de radio-diffusion, les antennes utilisées avec cet émetteur doivent être installées de telle sorte qu'il y ait une distance de 20 cm ou plus séparant la source de radiation (antenne) et toute personne en tout temps et ne doit pas être co-utilisée ou fonctionner en même temps qu'une autre antenne ou qu'un émetteur.

Le présent appareil est conforme aux CNR d'Industrie Canada applicables aux appareils radio exempts de licence. L'exploitation est autorisée aux deux conditions suivantes :

- (1) l'appareil ne doit pas produire de brouillage, et
- (2) l'utilisateur de l'appareil doit accepter tout brouillage radioélectrique subi, même si le brouillage est susceptible d'en compromettre le fonctionnement.

Conformément à la réglementation d'Industrie Canada, le présent émetteur radio peut fonctionner avec une antenne d'un type et d'un gain maximal (ou inférieur) approuvé pour l'émetteur par Industrie Canada. Dans le but de réduire les risques de brouillage radioélectrique à l'intention des autres utilisateurs, il faut choisir le type d'antenne et son gain de sorte que la puissance isotrope rayonnée équivalente (p. i. r. e.) ne dépasse pas l'intensité nécessaire à l'établissement d'une communication satisfaisante.

Le présent émetteur radio IC : 10248A-XPWG3 a été approuvé par Industrie Canada pour fonctionner avec les types d'antennes énumérés ci-dessous et ayant un gain admissible maximal et l'impédance requise pour chaque type d'antenne. Les types d'antennes non inclus dans cette liste, ou dont le gain est supérieur au gain maximal indiqué, sont strictement interdits pour l'exploitation de l'émetteur.

Type d'antenne	Gain d'antenne maximal admissible (dBi)	Impédance requise (OHM)
Encoche	1,76	50

Pour satisfaire aux exigences de la FCC et IC d'exposition aux radiofréquences, une distance de séparation de 20 cm ou plus doit être maintenue entre cet appareil et des personnes lors de fonctionnement du dispositif. Pour assurer la conformité des opérations au plus près que cette distance n'est pas recommandée. L'antenne utilisée pour cet émetteur ne doit pas être co-localisée en conjonction avec toute autre antenne ou tout émetteur.

### RESPONSABILITÉS DU FEO À SATISFAIRE AUX RÈGLEMENTS DE LA FCC ET D'INDUSTRIE CANADA

Le module XPWG3 des produits est certifié seulement si l'intégration par le FEO respecte les conditions suivantes :

1. Les antennes doivent être installées de telle sorte qu'il y ait une distance de 20 cm ou plus entre la radiation (antenne) et toutes les personnes en tout temps.
2. L'émetteur ne doit pas être co-localisé en conjonction avec toute autre antenne ou tout émetteur.



Aucune évaluation supplémentaire d'émission n'est requise si les deux conditions précédentes sont respectées. Cependant, le FEO intégrateur demeure responsable du contrôle de ses produits pour répondre aux exigences supplémentaires concernant ce module (par exemple, émissions d'appareil numérique, exigences périphériques d'un ordinateur personnel, etc.).

**REMARQUE IMPORTANTE :** Lorsque ces conditions ne peuvent être respectées (pour certaines configurations ou co-localisations avec un autre émetteur), les autorisations de la FCC et d'Industrie Canada ne sont plus considérées valides et les numéros de certification ID et IC de la FCC ne peuvent pas être utilisés sur le produit. Dans ces circonstances, le FEO intégrateur sera responsable de réévaluer le produit (incluant l'émetteur) et d'obtenir une autorisation séparée de la FCC et d'Industrie Canada.

### ÉTIQUETTE DE PRODUIT

L'étiquette du module XPWG3 est munie des numéros de certifications ID et IC de la FCC. Si les numéros de certifications ID et IC de la FCC ne sont pas visibles lorsque le module est installé dans un autre appareil, l'extérieur de l'appareil dans lequel le module est installé doit aussi afficher une étiquette de référence pour le module. Dans cette situation, le produit final doit posséder une étiquette visible contenant les renseignements suivants :

"Contient un émetteur FCC ID : A5UXPWG3"

"Contient un émetteur IC : 10248A-XPWG3"

ou

"Contient FCC ID : A5UXPWG3"

"Contient IC : 10248A-XPWG3"

Le FEO du module XPWG3 ne doit utiliser que les antennes approuvées et certifiées pour ce module. Le FEO intégrateur ne doit pas fournir les renseignements à l'utilisateur final concernant l'installation et le démontage de ce module RF ou les modifications de paramètres RF dans le guide d'utilisation du produit final.

Le guide d'utilisation du produit doit comprendre les renseignements suivants : "Pour satisfaire aux exigences de la FCC et d'Industrie Canada sur l'exposition aux radiations de radiodiffusion, les antennes utilisées avec cet émetteur doivent être installées de telle sorte qu'il y ait une distance de 20 cm ou plus séparant la source de radiation (antenne) et toute personne en tout temps et ne doit pas être co-utilisée ou fonctionner en même temps qu'une autre antenne ou qu'un émetteur".

Utilisation de la licence de source ouverte

Les déclarations suivantes concernent les parties de ce logiciel selon FreeRTOS v7.0.2, <http://www.freertos.org>. L'utilisation de ce logiciel est assujettie aux conditions de la licence publique générale GNU v. 2, disponible au : <http://www.gnu.org/licenses/gpl-2.0.html>. Une copie du code source peut être obtenue en effectuant une demande pour obtenir le logiciel à [opensource@whirlpool.com](mailto:opensource@whirlpool.com) et en indiquant l'adresse de retour.

La déclaration suivante concerne les parties du logiciel protégées par des droits d'auteur par Eclipse Foundation, Inc. Copyright (c) 2007, Eclipse Foundation, Inc. et ses concédants. Tous droits réservés.

La redistribution et l'utilisation en formats source et binaire, avec ou sans modification, sont permises si les conditions suivantes sont respectées :

- La redistribution du code source doit être accompagnée de la mention de protection par droits d'auteur précédente, de cette liste de conditions et de l'avis de non-responsabilité suivante.
- La redistribution en format binaire doit comporter la mention de protection par droits d'auteur précédente, cette liste de conditions et l'avis de non-responsabilité suivante dans sa documentation ou le matériel fourni pendant la distribution.
- Le nom Eclipse Foundation, Inc. ou les noms de ses collaborateurs peuvent être utilisés pour approuver ou promouvoir les produits dérivés du logiciel sans une autorisation écrite préalable.

CE LOGICIEL EST FOURNI PAR LES DÉTENEURS DU DROIT D'AUTEUR ET SES COLLABORATEURS "EN L'ÉTAT" SANS QU'AUCUNE GARANTIE D'AUCUNE SORTE, IMPLICITE OU EXPLICITE, N'Y SOIT RATTACHÉE Y COMPRIS, SANS S'Y LIMITER, LES GARANTIES IMPLICITES DE QUALITÉ MARCHANDE ET D'ADÉQUATION À UNE UTILISATION PARTICULIÈRE. EN AUCUN CAS, LE TITULAIRE DES DROITS D'AUTEUR OU LES COLLABORATEURS NE PEUVENT ÊTRE TENUS RESPONSABLES D'UN QUELCONQUE DOMMAGE DIRECT, INDIRECT, ACCESSOIRE, PARTICULIER, EXEMPLAIRE OU CONSÉCUTIF (Y COMPRIS, MAIS SANS S'Y LIMITER, L'ACQUISITION DE PRODUITS OU SERVICES DE SUBSTITUTION; LA PERTE DE JOUISSANCE, DE DONNÉES OU DE BÉNÉFICES; OU LES PERTES D'EXPLOITATION) QUELLES QU'EN SOIENT LES CAUSES ET QUEL QUE SOIT LE TYPE DE RESPONSABILITÉ, CONTRACTUELLE, SANS FAUTE OU FONDÉE SUR UN DÉLIT CIVIL (Y COMPRIS PAR NÉGLIGENCE OU POUR UNE AUTRE CAUSE) RÉSULTANT D'UNE MANIÈRE OU D'UNE AUTRE DE L'UTILISATION DE CE LOGICIEL, MÊME SI MENTION A ÉTÉ FAITE DE LA POSSIBILITÉ DE TELS DOMMAGES.

Des parties de ce logiciel sont protégées par des droits d'auteur (c) de Sawtooth Consulting Ltd. 2006-2015 tous droits réservés.

Des parties de ce logiciel sont protégées par des droits d'auteur (c) Arrayent, Inc. 2015 tous droits réservés.

Les déclarations suivantes concernent les parties de ce logiciel protégées par droits d'auteur de Swedish Institute of Computer Science.

Tous droits réservés (c) 2001-2004 Swedish Institute of Computer Science. Tous droits réservés.

La redistribution et l'utilisation en formats source et binaire, avec ou sans modification, sont permises si les conditions suivantes sont respectées :

1. La redistribution du code source doit être accompagnée de la mention de protection par droits d'auteur précédente, de cette liste de conditions et de l'avis de non-responsabilité suivante.
2. La redistribution en format binaire doit comporter la mention de protection par droits d'auteur précédente, cette liste de conditions et l'avis de non-responsabilité suivante dans sa documentation ou le matériel fourni pendant la distribution.
3. Le nom de l'auteur ne doit pas être utilisé pour approuver ou promouvoir les produits dérivés de ce logiciel sans avoir précédemment obtenu une autorisation écrite.

CE LOGICIEL EST FOURNI PAR L'AUTEUR "EN L'ÉTAT" SANS QU'AUCUNE GARANTIE D'AUCUNE SORTE, IMPLICITE OU EXPLICITE, N'Y SOIT RATTACHÉE Y COMPRIS, SANS S'Y LIMITER, LES GARANTIES IMPLICITES DE QUALITÉ MARCHANDE ET D'ADÉQUATION À UNE UTILISATION PARTICULIÈRE. EN AUCUN CAS, L'AUTEUR NE PEUT ÊTRE TENU RESPONSABLE D'UN QUELCONQUE DOMMAGE DIRECT, INDIRECT, ACCESSOIRE, PARTICULIER, EXEMPLAIRE OU CONSÉCUTIF (Y COMPRIS, MAIS SANS S'Y LIMITER, L'ACQUISITION DE PRODUITS OU SERVICES DE SUBSTITUTION; LA PERTE DE JOUISSANCE, DE DONNÉES OU DE BÉNÉFICES; OU LES PERTES D'EXPLOITATION) QUELLES QU'EN SOIENT LES CAUSES ET QUEL QUE SOIT LE TYPE DE RESPONSABILITÉ, CONTRACTUELLE, SANS FAUTE OU FONDÉE SUR UN DÉLIT CIVIL (Y COMPRIS PAR NÉGLIGENCE OU POUR UNE AUTRE CAUSE) RÉSULTANT D'UNE MANIÈRE OU D'UNE AUTRE DE L'UTILISATION DE CE LOGICIEL, MÊME SI MENTION A ÉTÉ FAITE DE LA POSSIBILITÉ DE TELS DOMMAGES.

Cette déclaration concerne les parties du logiciel sous droits d'auteur par Marvell International Ltd. Droits d'auteur (c) Marvell International Ltd. Tous droits réservés.

AVIS DE NON-RESPONSABILITÉ. CE LOGICIEL EST FOURNI PAR LES DÉTENEURS DU DROIT D'AUTEUR ET SES COLLABORATEURS "EN L'ÉTAT" SANS QU'AUCUNE GARANTIE D'AUCUNE SORTE, IMPLICITE OU EXPLICITE, N'Y SOIT RATTACHÉE Y COMPRIS, SANS S'Y LIMITER, LES GARANTIES IMPLICITES DE QUALITÉ MARCHANDE ET D'ADÉQUATION À UNE UTILISATION PARTICULIÈRE. EN AUCUN CAS, LE TITULAIRE DES DROITS D'AUTEUR OU LES COLLABORATEURS NE PEUVENT ÊTRE TENUS RESPONSABLES D'UN QUELCONQUE DOMMAGE DIRECT, INDIRECT, ACCESSOIRE, PARTICULIER, EXEMPLAIRE OU CONSÉCUTIF (Y COMPRIS, MAIS SANS S'Y LIMITER, L'ACQUISITION DE PRODUITS OU SERVICES DE SUBSTITUTION; LA PERTE DE JOUISSANCE, DE DONNÉES OU DE BÉNÉFICES; OU LES PERTES D'EXPLOITATION) QUELLES QU'EN SOIENT LES CAUSES ET QUEL QUE SOIT LE TYPE DE RESPONSABILITÉ, CONTRACTUELLE, SANS FAUTE OU FONDÉE SUR UN DÉLIT CIVIL (Y COMPRIS PAR NÉGLIGENCE OU POUR UNE AUTRE CAUSE) RÉSULTANT D'UNE MANIÈRE OU D'UNE AUTRE DE L'UTILISATION DE CE LOGICIEL, MÊME SI MENTION A ÉTÉ FAITE DE LA POSSIBILITÉ DE TELS DOMMAGES.

## FICHE DE DONNÉES RELATIVES AU RENDEMENT

### SYSTÈME DE FILTRATION D'EAU MODÈLE P9WB2L/P9RFWB2L CAPACITÉ 200 GALLONS (757 LITRES)



Système testé et homologué par NSF International en vertu des normes NSF/ANSI 42, 53 et 401 pour la réduction de contaminants spécifiés sur la fiche de données de performance.

Ce produit a été testé selon les normes 42, 53 et 401 NSF/ANSI pour la réduction des substances énumérées ci-dessous. La concentration des substances indiquées dans l'eau entrant dans le système a été réduite à une concentration inférieure ou égale à la limite permmissible pour l'eau qui quitte le système, comme spécifié dans les normes ANSI/NSF 42, 53 et 401.

Réduction concentration produits de désinfection	Concentration dans l'eau à traiter	Limite permmissible de concentration du produit dans l'eau	Réduction du pourcentage moyen
Goût/odeur de chlore Particules Classe I*	2,0 mg/L ± 10 % Au moins 10 000 particules/mL	Réduction de 50 % Réduction de 85 %	97,0 % >99,9 %
Réduction des contaminants	Concentration dans l'eau à traiter	Limite permmissible de concentration du produit dans l'eau	Réduction du pourcentage moyen
Plomb* : à pH 6,5/à pH 8,5	0,15 mg/L ± 10 %	0,010 mg/L	> 99,3 %/98,6 %
Benzène	0,015 mg/L ± 10 %	0,005 mg/L	93,8 %
p-dichlorobenzène	0,225 mg/L ± 10 %	0,075 mg/L	99,8 %
Carbofurane	0,08 mg/L ± 10 %	0,040 mg/L	81,9 %
Toxaphène	0,015 ± 10 %	0,003 mg/L	> 95 %
Atrazine	0,009 mg/L ± 10 %	0,003 mg/L	87,0 %
Amiante	10 <sup>7</sup> à 10 <sup>8</sup> fibres/L <sup>††</sup>	99 %	> 99 %
Kystes opérationnels <sup>†</sup>	50 000/L min.	99,95 %	> 99,99 %
Turbidité	11 NTU ± 10 %	0,5 NTU	96,9 %
Lindane	0,002 ± 10 %	0,000 2 mg/L	> 99,2 %
Tétrachloroéthène	0,015 mg/L ± 10 %	0,005 mg/L	96,6 %
o-dichlorobenzène	1,8 mg/L ± 10 %	0,60 mg/L	92,3 %
Éthylbenzène	2,1 mg/L ± 10 %	0,70 mg/L	86,9 %
1,2,4 - Trichlorobenzène	0,210 mg/L ± 10 %	0,07 mg/L	> 99,8 %
2,4 - D	0,210 mg/L ± 10 %	0,07 mg/L	88,5 %
Styrène	2,0 mg/L ± 10 %	0,1 mg/L	99,6 %
Toluène	3,0 mg/L ± 10 %	1,0 mg/L	93,5 %
Endrin	0,006 mg/L ± 10 %	0,002 mg/L	81,7 %
Aténolol	200 ± 20 %	30 ng/L	95,7 %
Triméthoprime	140 ± 20 %	20 ng/L	96,1 %
Linuron	140 ± 20 %	20 ng/L	96,3 %
Estrone	140 ± 20 %	20 ng/L	95,3 %
Nonylphénol	1 400 ± 20 %	200 ng/L	95,5 %
Carbamazépine	1 400 ± 20 %	200 ng/L	97,94 %
Phénytoïne	200 ± 20 %	30 ng/L	93,58 %
Naproxène	140 ± 20 %	20 ng/L	96,04 %
Bisphénol A	2 000 ± 20 %	300 ng/L	99,20 %

Paramètres de tests : pH = 7,5 ± 0,5 à moins d'indications contraires. Débit = 0,6 gal/m (2,27 Lpm). Pression = 60 lb/po<sup>2</sup> (413,7 kPa). Temps. = 20 °C à 22 °C (68 °F à 71,6 °F). Capacité de service nominale = 200 gallons (757 litres).

Les composés certifiés en vertu de la norme NSF 401 sont considérés comme appartenant à la catégorie des "composés émergents/contaminants secondaires". Les composés émergents/contaminants secondaires sont des composés qui ont été détectés à de faibles concentrations dans des sources d'approvisionnement en eau potable. Même s'ils n'apparaissent qu'à de faibles concentrations, ces composés peuvent influencer la perception et le niveau d'acceptation de la qualité de l'eau de consommation par le public.

## FICHE DE DONNÉES RELATIVES AU RENDEMENT (SUITE)

- ❑ Il est important que les critères de fonctionnement, d'entretien et de remplacement du filtre soient respectés pour que le produit donne le rendement annoncé. Des dommages à la propriété peuvent se produire lorsque les instructions ne sont pas toutes respectées.
- ❑ La cartouche jetable doit être changée au moins tous les 6 mois.
- ❑ Utiliser le filtre de remplacement P9RFWB2L, numéro de pièce EDR2RXD1/EDR2RXD1B. Prix suggéré au détail en 2015 de 49,99 \$ US/49,99 \$ CAN. Les prix sont indiqués sous réserve de modification.
- ❑ Le système de contrôle du filtre mesure la quantité d'eau qui passe par le filtre et indique quand remplacer le filtre. Consulter les sections "Utilisation des commandes" ou "Système de filtration de l'eau" dans les instructions d'utilisation ou le guide d'utilisation pour savoir comment vérifier l'état du filtre à eau.
- ❑ Après avoir remplacé le filtre à eau, purger le système d'eau. Voir les sections "Distributeur d'eau et de glaçons" ou "Distributeur d'eau" dans les instructions d'utilisation ou le guide d'utilisation.
- ❑ Ces contaminants ne sont pas nécessairement présents dans l'approvisionnement d'eau. Même si le test a été effectué dans des conditions de laboratoires standard, le rendement réel peut varier.

- ❑ Le produit doit être utilisé pour l'eau froide seulement.
- ❑ Le circuit d'eau doit être installé conformément aux lois et règlements locaux et à ceux de l'État concerné.
- ❑ Ne pas utiliser ce produit pour filtrer une eau microbiologiquement polluée ou de qualité inconnue en l'absence d'un dispositif de désinfection adéquat en amont ou en aval du système. Les systèmes certifiés pour la réduction des kystes peuvent être utilisés pour une eau désinfectée susceptible de contenir des kystes filtrables. Étab. EPA no 082047 – TWN-001
- ❑ Consulter la section "Garantie" dans les instructions d'utilisation ou le guide d'utilisation pour connaître la garantie limitée, le nom et le numéro de téléphone du fabricant.

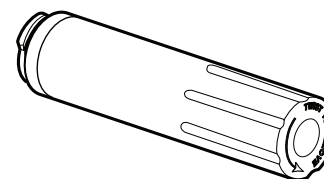
### Directives d'application/paramètres d'approvisionnement en eau

Source d'eau	Pression d'eau
Pression d'eau	30 à 120 lb/po <sup>2</sup> (207 à 827 kPa)
Température de l'eau	0,6 °C à 37,8 °C (33 °F à 100 °F)
Débit nominal	0,50 gal/m (1,89 Lpm) à 60 lb/po <sup>2</sup> (413,7 kPa)

\*Classe I – taille des particules : >0,5 à <1 µm

†Sur la base de la filtration de kystes de *Cryptosporidium parvum*

‡Filtres de longueur supérieure à 10 µm



# GARANTIE LIMITÉE DES APPAREILS DE RÉFRIGÉRATION JENNAIR®

ATTACHEZ ICI VOTRE REÇU DE VENTE. UNE PREUVE D'ACHAT EST OBLIGATOIRE POUR OBTENIR L'APPLICATION DE LA GARANTIE.

Lorsque vous appelez le centre d'Expérience de la clientèle, veuillez garder à disposition les renseignements suivants :

- Nom, adresse et numéro de téléphone
- Numéros de modèle et de série
- Une description claire et détaillée du problème rencontré
- Une preuve d'achat incluant le nom et l'adresse du marchand ou du détaillant

## SI VOUS AVEZ BESOIN DE SERVICE :

1. Avant de nous contacter pour obtenir un dépannage, veuillez déterminer si des réparations sont nécessaires pour votre produit. Certains problèmes peuvent être résolus sans intervention de dépannage. Prenez quelques minutes pour parcourir la section Dépannage du guide d'utilisation et d'entretien ou rendez-vous sur le site [producthelp.jennair.com](http://producthelp.jennair.com).
2. Tout dépannage sous garantie doit être effectué exclusivement par nos fournisseurs de dépannage autorisés JennAir.
3. Aux É.-U. et au Canada, dirigez toutes vos demandes de service sous garantie au :

**Centre d'Expérience de la clientèle JennAir**  
**1-800-JENNAIR (1-800-536-6247).**

Si vous résidez à l'extérieur du Canada ou des 50 États des États-Unis, contactez votre marchand JennAir autorisé pour déterminer si une autre garantie s'applique.

## GARANTIE LIMITÉE DE DIX ANS

### CE QUI EST COUVERT

#### GARANTIE LIMITÉE DE DEUX ANS (PIÈCES ET MAIN-D'OEUVRE)

Pendant deux ans à compter de la date d'achat, lorsque ce gros appareil ménager est installé, utilisé et entretenu conformément aux instructions jointes à ou fournies avec le produit, la marque JennAir de Whirlpool Corporation ou Whirlpool Canada, LP (ci-après désignées "JennAir") décidera à sa seule discrétion de remplacer le produit ou de couvrir le coût des pièces spécifiées par l'usine et de la main-d'oeuvre nécessaires pour corriger les vices de matériaux ou de fabrication qui existaient déjà lorsque ce gros appareil ménager a été acheté. S'il est remplacé, l'appareil sera couvert pour la période restant à courir de la garantie limitée d'un an du produit d'origine.

#### GARANTIE LIMITÉE DE LA TROISIÈME À LA CINQUIÈME ANNÉE INCLUSIVEMENT SUR LA DOUBLURE DE LA CAVITÉ ET SUR LE SYSTÈME DE RÉFRIGÉRATION SCELLÉ

De la troisième à la cinquième année inclusivement à compter de la date d'achat initiale, lorsque ce gros appareil ménager est installé, utilisé et entretenu conformément aux instructions jointes au produit ou fournies avec, la marque JennAir paiera pour les pièces de rechange spécifiées par l'usine et la main-d'oeuvre concernant les composants suivants pour corriger les défauts non esthétiques de matériau ou de fabrication de ladite pièce qui empêchent le réfrigérateur de fonctionner et qui étaient déjà présents lorsque ce gros appareil ménager a été acheté :

- Doublure de la cavité du réfrigérateur/congélateur si la pièce se fissure en raison d'un vice de matériau ou de fabrication.
- Système de réfrigération scellé (y compris le compresseur, l'évaporateur, le condenseur, le séchoir et les conduits de connexion).

#### GARANTIE LIMITÉE DE LA SIXIÈME À LA DIXIÈME ANNÉE (SYSTÈME DE RÉFRIGÉRATION SCELLÉ UNIQUEMENT - MAIN-D'OEUVRE NON COMPRISE)

De la sixième à la dixième année inclusivement à compter de la date d'achat, lorsque ce gros appareil ménager est installé, utilisé et entretenu conformément aux instructions jointes à ou fournies avec le produit, la marque JennAir paiera pour les pièces de rechange spécifiées par l'usine pour corriger les vices de matériaux ou de fabrication sur le système de réfrigération scellé qui existaient déjà lorsque ce gros appareil ménager a été acheté pour les pièces suivantes : compresseur, évaporateur, condenseur, sécheuse et conduits de connexion.

### CE QUI N'EST PAS COUVERT

1. Usage commercial, non résidentiel ou par plusieurs familles, ou non-respect des instructions de l'utilisateur, de l'opérateur ou des instructions d'installation.
2. Visite d'instruction à domicile pour montrer à l'utilisateur comment utiliser l'appareil.
3. Visites de service pour rectifier une installation ou un entretien fautifs du produit, une installation non conforme aux codes d'électricité ou de plomberie, ou la rectification de l'installation électrique ou de la plomberie du domicile (ex : câblage électrique, fusibles ou tuyaux d'arrivée d'eau du domicile).
4. Pièces consommables (ex : ampoules, batteries, filtres à air ou à eau, solutions de conservation, etc.).
5. Défauts ou dommage résultant de l'utilisation de pièces ou accessoires JennAir non authentiques.
6. Dommages causés par : accident, mésusage, abus, incendie, inondations, catastrophe naturelle ou l'utilisation de produits non approuvés par JennAir.
7. Réparations aux pièces ou systèmes dans le but de rectifier un dommage ou des défauts résultant d'une réparation, altération ou modification non autorisée faite à l'appareil.
8. Défauts d'apparence, notamment les éraflures, traces de choc, fissures ou tout autre dommage subi par le fini de l'appareil ménager, à moins que ces dommages ne résultent de vices de matériaux ou de fabrication et ne soient signalés à JennAir dans les 30 jours suivant la date d'achat.
9. Décoloration, rouille ou oxydation des surfaces résultant d'environnements caustiques ou corrosifs incluant des concentrations élevées de sel, un haut degré d'humidité ou une exposition à des produits chimiques (exemples non exhaustifs).
10. Perte d'aliments ou de médicaments due à la défaillance du produit.
11. Enlèvement ou livraison. Ce produit est conçu pour être réparé à l'intérieur du domicile.
12. Frais de déplacement et de transport pour le dépannage/la réparation dans une région éloignée où une compagnie de service JennAir autorisée n'est pas disponible.
13. Retrait ou réinstallation d'appareils inaccessibles ou de dispositifs préinstallés (ex : garnitures, panneaux décoratifs, plancher, meubles, îlots de cuisine, plans de travail, panneaux de gypse, etc.) qui entravent le dépannage, le retrait ou le remplacement du produit.
14. Service et pièces pour des appareils dont les numéros de série et de modèle originaux ont été enlevés, modifiés ou ne peuvent pas être facilement identifiés.

**Le coût d'une réparation ou d'un remplacement dans le cadre de ces circonstances exclues est à la charge du client.**

## CE QUI EST COUVERT

LE SEUL ET EXCLUSIF RECOURS DU CLIENT DANS LE CADRE DE LA PRÉSENTE GARANTIE LIMITÉE CONSISTE EN LA RÉPARATION PRÉVUE PAR LA PRÉSENTE. Le service doit être fourni par une compagnie de service désignée par JennAir. Cette garantie limitée est valide uniquement aux États-Unis ou au Canada et s'applique exclusivement lorsque le gros appareil ménager est utilisé dans le pays où il a été acheté. La présente garantie limitée est valable à compter de la date d'achat initial par le consommateur. Une preuve de la date d'achat initial est exigée pour obtenir un dépannage dans le cadre de la présente garantie limitée.

## CE QUI N'EST PAS COUVERT

**CLAUSE D'EXONÉRATION DE RESPONSABILITÉ AU TITRE DES GARANTIES IMPLICITES**

LES GARANTIES IMPLICITES, Y COMPRIS LES GARANTIES APPLICABLES DE QUALITÉ MARCHANDE OU D'APTITUDE À UN USAGE PARTICULIER, SONT LIMITÉES À UN AN OU À LA PLUS COURTE PÉRIODE AUTORISÉE PAR LA LOI. Certains États et provinces ne permettent pas de limitation sur la durée des garanties implicites de qualité marchande ou d'aptitude à un usage particulier, de sorte que la limitation ci-dessus peut ne pas être applicable dans votre cas. Cette garantie vous confère des droits juridiques spécifiques et vous pouvez également jouir d'autres droits qui peuvent varier d'une juridiction à l'autre.

**EXONÉRATION DE RESPONSABILITÉ DANS LES DOMAINES NON COUVERTS PAR LA GARANTIE**

JennAir décline toute responsabilité au titre de la qualité, de la durabilité ou en cas de dépannage ou de réparation nécessaire sur ce gros appareil ménager autre que les responsabilités énoncées dans la présente garantie. Si vous souhaitez une garantie plus étendue ou plus complète que la garantie limitée fournie avec ce gros appareil ménager, adressez-vous à JennAir ou à votre détaillant pour obtenir les modalités d'achat d'une garantie étendue.

**LIMITATION DES RECOURS; EXCLUSION DES DOMMAGES FORTUITS OU INDIRECTS**

LE SEUL ET EXCLUSIF RECOURS DU CLIENT DANS LE CADRE DE LA PRÉSENTE GARANTIE LIMITÉE CONSISTE EN LA RÉPARATION PRÉVUE PAR LA PRÉSENTE. JENNAIR N'ASSUME AUCUNE RESPONSABILITÉ POUR LES DOMMAGES FORTUITS OU INDIRECTS. Certains États et certaines provinces ne permettent pas l'exclusion ou la limitation des dommages fortuits ou indirects de sorte que ces limitations et exclusions peuvent ne pas être applicables dans votre cas. Cette garantie vous confère des droits juridiques spécifiques et vous pouvez également jouir d'autres droits qui peuvent varier d'une juridiction à l'autre.







®/™ ©2019 JennAir. All rights reserved. Used under license in Canada.  
Tous droits réservés. Utilisé sous licence au Canada.