



# INSTALLATION INSTRUCTIONS

COMMERCIAL-STYLE GAS CONVECTION RANGES  
30" (76.2 cm), 36" (91.4 cm), AND 48" (121.9 cm)

For residential use only

# INSTRUCTIONS D'INSTALLATION

CUISINIÈRE À GAZ À CONVECTION DE STYLE COMMERCIAL  
DE 30 PO (76,2 cm), 36 PO (91,4 cm) ET 48 PO (121,9 cm)

Pour utilisation résidentielle uniquement

## Table of Contents/Table des matières

|  |           |  |           |
|--|-----------|--|-----------|
| <b>RANGE SAFETY</b> .....              | <b>2</b>  | <b>SÉCURITÉ DE LA CUISINIÈRE</b> .....                         | <b>37</b> |
| <b>INSTALLATION REQUIREMENTS</b> ..... | <b>4</b>  | <b>EXIGENCES D'INSTALLATION</b> .....                          | <b>39</b> |
| Tools and Parts.....                   | 4         | Outils et pièces.....  | 39        |
| Location Requirements.....             | 6         | Exigences d'emplacement.....                                   | 41        |
| Electrical Requirements .....          | 8         | Spécifications électriques.....                                | 43        |
| Gas Supply Requirements .....          | 8         | Spécifications de l'alimentation en gaz .....                  | 43        |
| <b>INSTALLATION INSTRUCTIONS</b> ..... | <b>10</b> | <b>INSTRUCTIONS D'INSTALLATION</b> .....                       | <b>45</b> |
| Unpack the Range .....                 | 10        | Déballage de la cuisinière .....                               | 45        |
| Remove Door .....                      | 11        | Retirer la porte.....  | 46        |
| Install Anti-Tip Bracket.....          | 12        | Installation de la bride antibasculement .....                 | 47        |
| Make Gas Connection .....              | 13        | Raccordement au gaz.....                                       | 48        |
| Verify Anti-Tip Bracket Location ..... | 13        | Vérification de l'emplacement de la bride antibasculement..... | 48        |
| Level Range.....                       | 14        | Ajustement de l'aplomb de la cuisinière.....                   | 49        |
| Install Griddle Tray.....              | 14        | Installer le plateau d'égouttement .....                       | 49        |
| Electronic Ignition System .....       | 14        | Système d'allumage électronique.....                           | 49        |
| Install Kick Plate.....                | 15        | Installer la plinthe .....                                     | 50        |
| Complete Installation .....            | 15        | Terminer l'installation.....                                   | 50        |
| <b>GAS CONVERSIONS</b> .....           | <b>16</b> | <b>CONVERSIONS POUR CHANGEMENT DE GAZ</b> .....                | <b>51</b> |
| Propane Gas Conversion.....            | 16        | Conversion pour l'alimentation au propane .....                | 51        |
| Natural Gas Conversion.....            | 26        | Conversion au gaz naturel .....                                | 61        |

### IMPORTANT:

Save for local electrical inspector's use.

**Installer:** Leave installation instructions with the homeowner.

**Homeowner:** Keep installation instructions for future reference.

### IMPORTANT :

Conserver ces instructions à l'usage de l'inspecteur des installations électriques local.

**Installateur :** Remettre les instructions d'installation au propriétaire.

**Propriétaire :** Conserver les instructions d'installation pour référence ultérieure.

# RANGE SAFETY

## Your safety and the safety of others are very important.

We have provided many important safety messages in this manual and on your appliance. Always read and obey all safety messages.



This is the safety alert symbol.

This symbol alerts you to potential hazards that can kill or hurt you and others.

All safety messages will follow the safety alert symbol and either the word "DANGER" or "WARNING."

These words mean:

**⚠ DANGER**

You can be killed or seriously injured if you don't immediately follow instructions.

**⚠ WARNING**

You can be killed or seriously injured if you don't follow instructions.

All safety messages will tell you what the potential hazard is, tell you how to reduce the chance of injury, and tell you what can happen if the instructions are not followed.

**WARNING: If the information in these instructions is not followed exactly, a fire or explosion may result causing property damage, personal injury or death.**

- Do not store or use gasoline or other flammable vapors and liquids in the vicinity of this or any other appliance.
- **WHAT TO DO IF YOU SMELL GAS:**
  - Do not try to light any appliance.
  - Do not touch any electrical switch.
  - Do not use any phone in your building.
  - Immediately call your gas supplier from a neighbor's phone. Follow the gas supplier's instructions.
  - If you cannot reach your gas supplier, call the fire department.
- Installation and service must be performed by a qualified installer, service agency or the gas supplier.

**WARNING:** Gas leaks cannot always be detected by smell.

Gas suppliers recommend that you use a gas detector approved by UL or CSA.

For more information, contact your gas supplier.

If a gas leak is detected, follow the "What to do if you smell gas" instructions.

**IMPORTANT:** Do not install a ventilation system that blows air downward toward this gas cooking appliance. This type of ventilation system may cause ignition and combustion problems with this gas cooking appliance resulting in personal injury or unintended operation.

In the State of Massachusetts, the following installation instructions apply:

- Installations and repairs must be performed by a qualified or licensed contractor, plumber, or gas fitter qualified or licensed by the State of Massachusetts.
- Acceptable Shut-off Devices: Gas Cocks and Ball Valves installed for use shall be listed.
- A flexible gas connector, when used, must not exceed 4 feet (121.9 cm).

## **⚠ WARNING**

### **Tip Over Hazard**

**A child or adult can tip the range and be killed.**

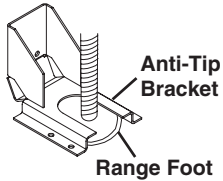
**Install anti-tip bracket to floor or wall per installation instructions.**

**Slide range back so rear range foot is engaged in the slot of the anti-tip bracket.**

**Re-engage the anti-tip bracket if the range is moved.**

**Do not operate range without anti-tip bracket installed and engaged.**

**Failure to follow these instructions can result in death or serious burns to children and adults.**



**To verify the anti-tip bracket is installed and engaged:**

- Slide range forward.
- Look for the anti-tip bracket securely attached to floor or wall.
- Slide range back so rear range foot is under anti-tip bracket.
- See installation instructions for details.

# INSTALLATION REQUIREMENTS

## Tools and Parts

Gather the required tools and parts before starting installation. Read and follow the instructions provided with any tools listed here.

### Tools Needed



Pipe wrench



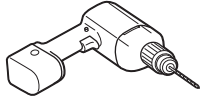
Adjustable wrench or  
5/8" (16 mm) wrench



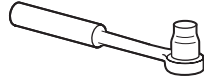
1/8" x 4 1/4" (3 mm x 100 mm)  
flat-blade screwdriver



#2 Phillips screwdriver



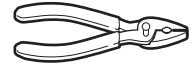
Drill



3/8" (9.5 mm) drive ratchet



15/16" (24 mm)  
combination wrench



Pliers



Level



Tubing cutter



1/4" (6.4 mm), 3/8" (9.5 mm),  
5/16" (7.9 mm) nut drivers



Marker or pencil



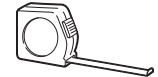
3/16" (4.8 mm) carbide tip  
masonry bit



Pipe-joint compound  
resistant to Propane gas



Noncorrosive leak-detection  
solution



Tape measure



1/8" (3.2 mm) drill bit

### For Propane/Natural Gas Conversions



Large flat-blade screwdriver



Adjustable wrench



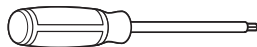
T20® Torx®† Driver



Masking tape



1/2" (1.3 cm) open end  
wrench



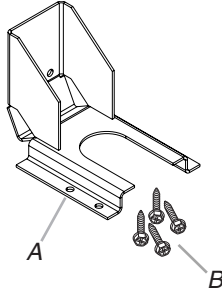
#1 Square Driver

†®TORX and T20 are trademarks of Acument Intellectual Properties, LLC.

## Parts Supplied

Check that all parts are included.

- Anti-tip bracket kit



A. Anti-tip bracket

B. #8-18 x 1" (2.5 cm) Phillips head screws (4)

**NOTE:** Anti-tip bracket must be securely mounted to subfloor. Thickness of flooring may require longer screws to anchor bracket to subfloor. Longer screws are available from your local hardware store. See the "Install Anti-Tip Bracket" section.

- Burner grates
- Burner caps
- Griddle drip tray (on griddle models)

## Parts Needed

- All models must be installed with a backguard if installing at zero clearance to a combustible back wall surface such as drywall. Alternatively, zero clearance to a back wall is acceptable provided the surface of the entire back wall above the range and below the hood is covered with a non-combustible material such as tile or stainless steel. See "Cabinet Dimensions" in the "Location Requirements" section for installation requirements.

Check local codes and consult gas supplier. Check existing gas supply and electrical supply. See the "Electrical Requirements" and "Gas Supply Requirements" sections.

It is recommended that all electrical connections be made by a licensed, qualified electrical installer.

---

## High Altitude Conversion

---

Reorificing of this range/rangetop is not required for proper operation. Low burner rates may require resetting for best results.

Refer to the "Adjusting Simmer Low and Main Low Settings on Surface Burner for Propane" section (page 18) for Propane Gas Operation.

Refer to the "Adjusting Simmer Low and Main Low Settings on Surface Burner for Natural Gas" section (page 28) for Natural Gas Operation.

## Location Requirements

**IMPORTANT:** Observe all governing codes and ordinances. Do not obstruct flow of combustion and ventilation air.

- It is the installer's responsibility to comply with installation clearances specified on the model/serial/rating plate. The model/serial/rating plate is located under the console on the right-hand side.
- It is recommended that a 585 CFM (993.9 m<sup>3</sup>/hr) or larger range hood be installed above the range.
- Follow the range hood or microwave hood combination installation instructions for dimensional clearances above the cooktop surface.
- Recessed installations must provide complete enclosure of the sides and rear of the range.
- All openings in the wall or floor where range is to be installed must be sealed.
- Do not seal the range to the side cabinets.
- Cabinet opening dimensions that are shown must be used. Given dimensions are minimum clearances.
- The anti-tip bracket must be installed. To install the anti-tip bracket shipped with the range, see the "Install Anti-Tip Bracket" section.
- Grounded electrical supply is required. See the "Electrical Requirements" section.
- Proper gas supply connection must be available. See the "Gas Supply Requirements" section.
- Contact a qualified floor covering installer to check that the floor covering can withstand at least 200°F (93°C). Use an insulated pad or 1/4" (6.4 cm) plywood over carpet and under range if installing range over carpeting.

**IMPORTANT:** To avoid damage to your cabinets, check with your builder or cabinet supplier to make sure that the materials used will not discolor, delaminate, or sustain other damage. This oven has been designed in accordance with the requirements of UL and CSA International and complies with the maximum allowable wood cabinet temperatures of 194°F (90°C).

### Mobile Home - Additional Installation Requirements

The installation of this range must conform to the Manufactured Home Construction and Safety Standard, Title 24 CFR, Part 3280 (formerly the Federal Standard for Mobile Home Construction and Safety, Title 24, HUD Part 280). When such standard is not applicable, use the Standard for Manufactured Home Installations, ANSI A225.1/NFPA 501A or local codes.

In Canada, the installation of this cooktop must conform with the current standards CAN/CSA-A240-latest edition or with local codes.

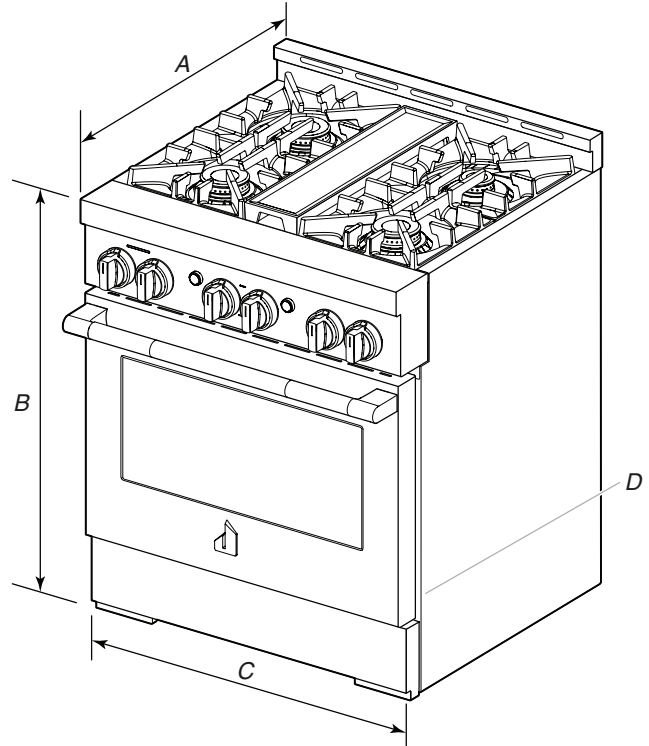
### Mobile Home Installations Require:

- When this range is installed in a mobile home, it must be secured to the floor during transit. Any method of securing the range is adequate as long as it conforms to the standards listed above.

## Product Dimensions

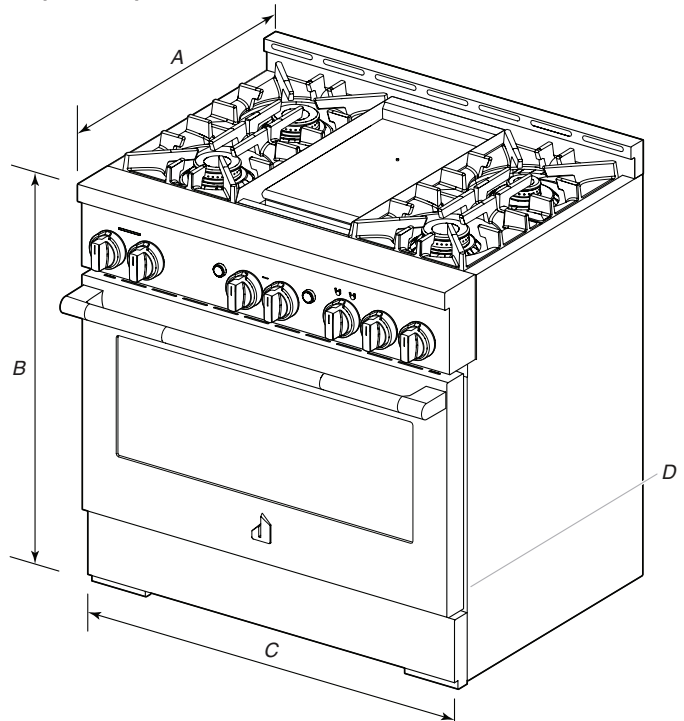
**NOTE:** Cooktop features may differ.

### 30" (76.2 cm) models



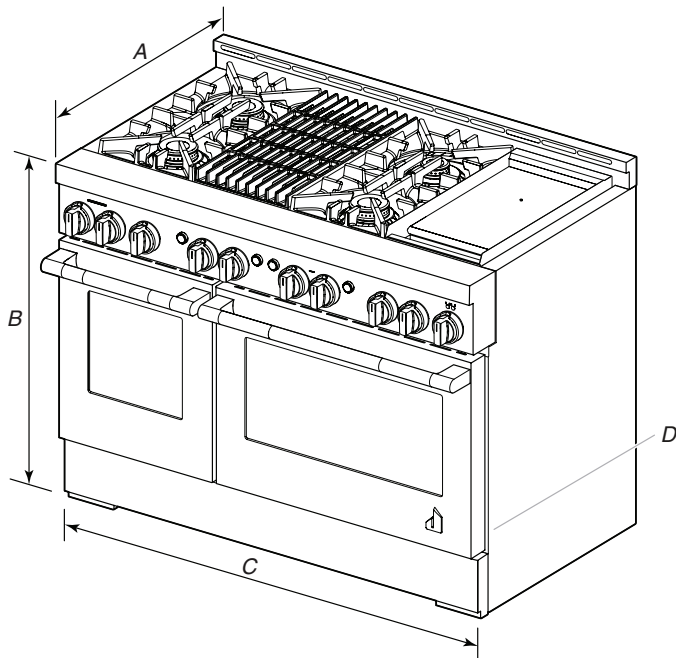
- A. 27<sup>3</sup>/<sub>4</sub>" (70.5 cm) depth with control panel (See NOTE.)
- B. 35<sup>3</sup>/<sub>4</sub>" (90.8 cm) range height when sitting on the wheels
- C. 29<sup>7</sup>/<sub>8</sub>" (75.7 cm) width
- D. Model/serial/rating plate location/SAID label

### 36" (91.4 cm) models



- A. 27<sup>1</sup>/<sub>8</sub>" (68.9 cm) depth with control panel (See NOTE.)
- B. 35<sup>3</sup>/<sub>4</sub>" (90.8 cm) range height when sitting on the wheels
- C. 36" (91.4 cm) width
- D. Model/serial/rating plate location/SAID label

## 48" (121.9 cm) models



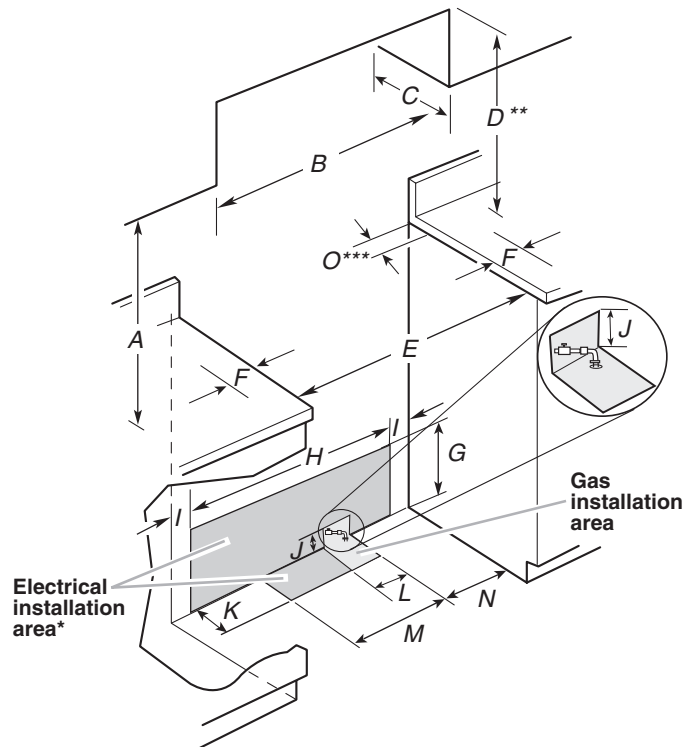
- A. 27<sup>1</sup>/<sub>8</sub>" (68.9 cm) depth with control panel (See NOTE.)
- B. 35<sup>3</sup>/<sub>4</sub>" (90.8 cm) range height when sitting on the wheels
- C. 48" (121.9 cm) width
- D. Model/serial/rating plate location/SAID label

**NOTE:** When installed in a 24" (61.0 cm) base cabinet with 25" (63.5 cm) countertop; front of oven door protrudes 1<sup>7</sup>/<sub>8</sub>" (4.8 cm) beyond 24" (61.0 cm) base cabinet.

### Cabinet Requirements

Cabinet opening dimensions shown are for 25" (64.0 cm) countertop depth, 24" (61.0 cm) base cabinet depth, and 36" (91.4 cm) countertop height. Dimensions must be met in order to ensure a flush fit to back wall.

**IMPORTANT:** If installing a range hood, hood liner, or microwave hood combination above the cooking surface, follow the range hood or microwave hood combination installation instructions for dimensional clearances above the cooking surface.



- A. 18" (45.7 cm) upper cabinet to countertop
- B. 30" (76.2 cm) model: 30" (76.2 cm) min. upper cabinet width  
36" (91.4 cm) model: 36" (91.4 cm) min. upper cabinet width  
48" (121.9 cm) model: 48" (121.9 cm) min. upper cabinet width
- C. 13" (33 cm) max. upper cabinet depth
- D. For minimum clearance to top of range.\*\*
- E. 30" (76.2 cm) on 30" (76.2 cm) models  
36" (91.4 cm) on 36" (91.4 cm) models  
48" (121.9 cm) on 48" (121.9 cm) models
- F. 12" (30.4 cm) min. clearance from both sides of range to side wall or other combustible material
- G. 15" (38.1 cm)
- H. 22" (55.9 cm) on 30" (76.2 cm) models  
28" (71.1 cm) on 36" (91.4 cm) models  
40" (101.6 cm) on 48" (121.9 cm) models
- I. 4" (10.1 cm)
- J. 3" (7.6 cm)
- K. 5" (12.7 cm)
- L. 6" (15.2 cm) on 30" (76.2 cm) models  
12" (30.5 cm) on 36" (91.4 cm) models  
24" (61.0 cm) on 48" (121.9 cm) models
- M. 10<sup>1</sup>/<sub>2</sub>" (26.7 cm)
- N. 9" (22.9 cm)
- O. 6" (15.2 cm)\*\*\*

#### \*\*If not using ventilation, Minimum Clearances

**30" (76.2 cm) models:** 42" (106.7 cm) minimum clearance between the top of the cooking platform and the bottom of a combustible surface

**36" (91.4 cm) models:** 58" (147.3 cm) minimum clearance between the top of the cooking platform and the bottom of a combustible surface

**48" (121.9 cm) models:** 58" (147.3 cm) minimum clearance between the top of the cooking platform and the bottom of a combustible surface

\*\*\*If the surface of the back wall is constructed of a combustible material and a backguard is not installed, a 6" (15.2 cm) minimum clearance is required for all models.

## Electrical Requirements

### **⚠ WARNING**



#### Electrical Shock Hazard

**Plug into a grounded 3 prong outlet.**

**Do not remove ground prong.**

**Do not use an adapter.**

**Do not use an extension cord.**

**Failure to follow these instructions can result in death, fire, or electrical shock.**

**IMPORTANT:** The range must be electrically grounded in accordance with local codes and ordinances or, in the absence of local codes, with the National Electrical Code, ANSI/NFPA 70 or Canadian Electrical Code, CSA C22.1.

If codes permit and a separate ground wire is used, it is recommended that a qualified electrical installer determine that the ground path is adequate.

A copy of the above code standards can be obtained from:

National Fire Protection Association  
1 Batterymarch Park  
Quincy, MA 02169-7471

CSA International  
8501 East Pleasant Valley Road  
Cleveland, Ohio 44131-5575

- A 120 V, 60 Hz, AC-only, 15 A, fused electrical circuit is required. A time-delay fuse or circuit breaker is also recommended. It is recommended that a separate circuit serving only this range be provided.
- Electronic ignition systems operate within wide voltage limits, but proper grounding and polarity are necessary. Check that the outlet provides 120 V power and is correctly grounded.
- The wiring diagram is located behind the kick plate in a clear plastic bag.

## Gas Supply Requirements

### **⚠ WARNING**



#### Explosion Hazard

**Use a new CSA International approved gas supply line.**

**Install a shut-off valve.**

**Securely tighten all gas connections.**

**If connected to propane, have a qualified person make sure gas pressure does not exceed 14" (36 cm) water column.**

**Examples of a qualified person include:**

**licensed heating personnel,  
authorized gas company personnel, and  
authorized service personnel.**

**Failure to do so can result in death, explosion, or fire.**

Observe all governing codes and ordinances.

**IMPORTANT:** This installation must conform with all local codes and ordinances. In the absence of local codes, installation must conform with American National Standard, National Fuel Gas Code ANSI Z223.1 - latest edition or CAN/CGA B149 - latest edition.

**IMPORTANT:** Range must be connected to a regulated gas supply.

**IMPORTANT:** Leak testing of the range must be conducted according to the manufacturer's instructions.

### Type of Gas

#### Natural Gas:

This range is factory set for use with Natural gas. The model/serial/rating plate, located under the console on the right-hand side, has information on the types of gas that can be used. If the types of gas listed do not include the type of gas available, check with the local gas supplier.

#### Propane Gas conversion:

Conversion must be done by a qualified service technician.

No attempt shall be made to convert the range from the gas specified on the model/serial/rating plate for use with a different gas without consulting the serving gas supplier. To convert to Propane gas, use the Propane gas conversion kit provided with your range and see the "Gas Conversions" section. The parts for this kit are in the package containing literature supplied with the range.



---

## Gas Supply Line

---

- Provide a gas supply line of 3/4" (1.9 cm) rigid pipe to the range location. A smaller size pipe on longer runs may result in insufficient gas supply. With Propane gas, piping or tubing size can be 1/2" (1.3 cm) minimum. Usually, Propane gas suppliers determine the size and materials used in the system.

**NOTE:** Pipe-joint compounds that resist the action of Propane gas must be used. Do not use TEFLON<sup>†</sup> tape.

### Flexible metal appliance connector:

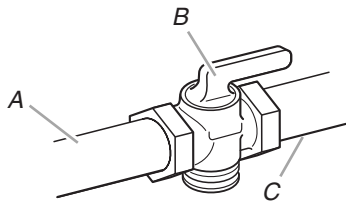
- If local codes permit, a new CSA design-certified, 4-5 ft (122-152 cm) long, 5/8" (1.6 cm) or 3/4" (1.9 cm) I.D., flexible metal appliance connector may be used for connecting the cooktop to the gas supply line.



- A 1/2" (1.3 cm) male pipe thread is needed for connection to the female pipe threads of the inlet to the appliance pressure regulator.
- Do not kink or damage the flexible metal tubing when moving the range.

**IMPORTANT:** All connections must be wrench-tightened. Do not make connections to the gas regulator too tight. Making the connections too tight may crack the regulator and cause a gas leak. Do not allow the regulator to turn or move when tightening fittings.

- Must include a shut-off valve:  
Install a manual gas line shut-off valve in an easily accessible location. Do not block access to shut-off valve. The valve is for turning on or shutting off gas to the range.



A. Gas supply line  
B. Shut-off valve open position  
C. To range

---

## Gas Pressure Regulator

---

The gas pressure regulator supplied with this cooktop must be used. The inlet pressure to the regulator should be as follows for proper operation:

### Natural Gas:

Minimum pressure: 6" (15.2 cm) WCP

Maximum pressure: 14" (35.6 cm) WCP

### Propane Gas:

Minimum pressure: 11" (27.9 cm) WCP

Maximum pressure: 14" (35.6 cm) WCP

Contact local gas supplier if you are not sure about the inlet pressure.

---

## Burner Input Rating — Altitude

---

Input ratings shown on the model/serial/rating plate are for elevations up to 2,000 ft (609.6 m).

For elevations above 2,000 ft (609.6 m), ratings need to be reduced at a rate of 4% for each 1,000 ft (304.8 m) above sea level (not applicable for Canada).

---

## Gas Supply Pressure Testing

---

Gas supply pressure for testing regulator must be at least 1" (2.5 cm) water column pressure above the manifold pressure shown on the model/serial/rating plate.

### Line pressure testing above 1/2 psi (3.5 kPa) gauge (14" [35.6 cm] WCP)

The range and its individual shut-off valve must be disconnected from the gas supply piping system during any pressure testing of that system at test pressures in excess of 1/2 psi (3.5 kPa).

### Line pressure testing at 1/2 psi (3.5 kPa) gauge (14" [35.6 cm] WCP) or lower

The range must be isolated from the gas supply piping system by closing its individual manual shut-off valve during any pressure testing of the gas supply piping system at test pressures equal to or less than 1/2 psi (3.5 kPa).

<sup>†</sup>TEFLON is a registered trademark of Chemours.

# INSTALLATION INSTRUCTIONS

## Unpack the Range

### **! WARNING**

#### **Excessive Weight Hazard**

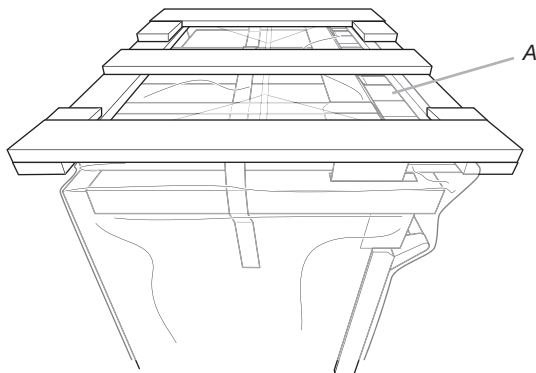
**Use two or more people to move and install range.**  
**Failure to do so can result in back or other injury.**

Remove shipping materials, tape, and film from range. Keep shipping pallet under range. Remove oven racks, and parts package from inside oven. Remove grates from top of oven.

### Remove Kick Plate

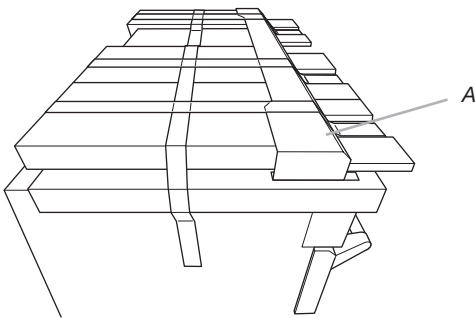
1. Your range will have the kick plate packaged on top of the unit.
  - a. Remove kick plate from top of range and grate pack.

*In packaging*



A. Kick plate

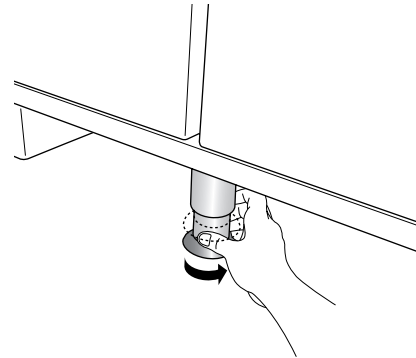
*Packaging removed*



A. Kick plate

- b. Lay kick plate to the side to avoid scratching.

2. For 48" (121.9 cm) models only, rotate center support counterclockwise off the pallet until it stops.



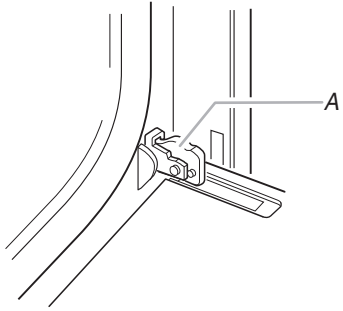
**NOTE:** This support is used only for shipping and is not needed for installation.

3. Lay a piece of cardboard from side packaging on the floor behind range. Using two or more people, firmly grasp each side of range. Lift range up about 3" (8.0 cm) and move it back until range is off shipping pallet. Set range on cardboard to avoid damaging floor.

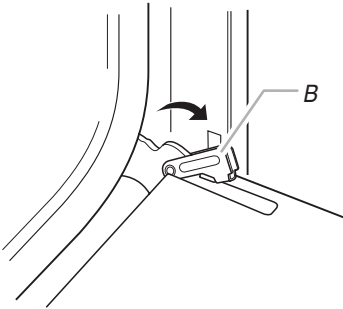
## Remove Door

### Door Removal

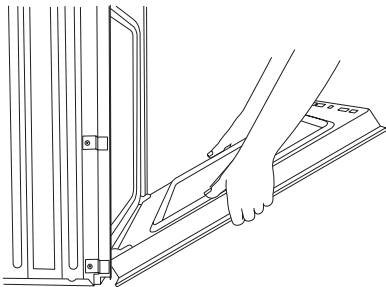
- Do not remove the side door spacers until the range is ready to install. Removing the door spacers could allow the door to shift, damaging the door latch.
- Do not lift or move the range by the door handle(s) or control panel.
- Prior to installing the range, you will need to remove the oven door(s). Prepare a surface where you will place the door(s). This surface should be flat and covered with a soft blanket, or use the corner posts from the packaging material.



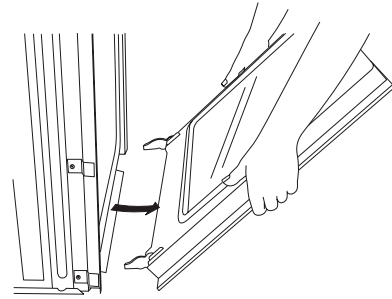
A. Oven door hinge in the locked position



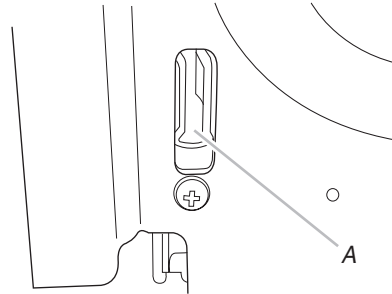
B. Oven door hinge in the unlocked position



Partially close the door to engage the door latch locks. The door will stop at this point.



Use two hands to remove and replace the oven door(s). It may be necessary to gently shift door from side to side.



A. Slot in the oven frame for the door hinge lock

### Replace the Door

- To replace the oven door(s), locate the slots in the oven cavity for the hinge locks and repeat the steps above in reverse order. Make sure the door closes properly and there is no interference from the door latch. If necessary, remove the door and repeat the steps above. If power is connected to the range, open and close the door to make sure the oven light comes on and goes off appropriately.
- The range is equipped with leveling legs and rollers. Once the range is removed from the shipping pallet, make sure the leveling legs are not touching the floor and use the rollers to move the range into position. Always cover the flooring surface to avoid damage to the floor. Do not roll the range directly on the floor.

## Install Anti-Tip Bracket

### **⚠ WARNING**



#### Tip Over Hazard

**A child or adult can tip the range and be killed.**

**Install anti-tip bracket to floor or wall per installation instructions.**

**Slide range back so rear range foot is engaged in the slot of the anti-tip bracket.**

**Re-engage anti-tip bracket if range is moved.**

**Do not operate range without anti-tip bracket installed and engaged.**

**Failure to follow these instructions can result in death or serious burns to children and adults.**

1. Determine which mounting method to use: floor or wall. If you have a stone or masonry floor, you can use the wall mounting method.
2. Determine and mark centerline of the cutout space. The mounting bracket must be installed on the left side of the cutout. Position mounting bracket in cutout as shown in the following illustration.

#### Measurement B:

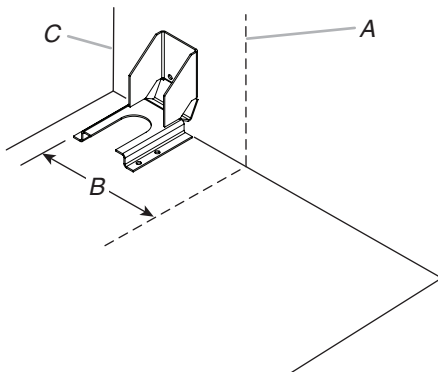
30" (76.2 cm) ranges: 13" (33.0 cm)

36" (91.4 cm) ranges: 16" (40.6 cm)

48" (121.9 cm) ranges: 22" (55.9 cm)

#### Measurement C:

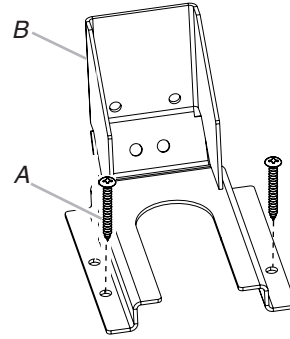
Optional distance from back wall. If back wall is constructed of a combustible material and a backguard is not installed, a 6" (15.2 cm) minimum clearance is required for all models. Install anti-tip bracket accordingly.



- A. Centerline
- B. Centerline of cutout to outside edge of anti-tip bracket
- C. Back wall to back of range

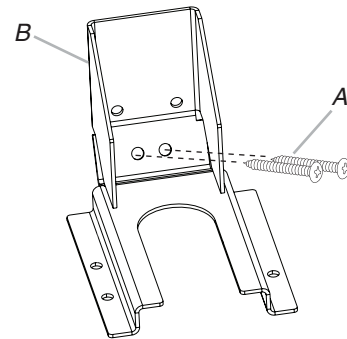
3. Drill two 1/8" (3.0 mm) holes that correspond to the bracket holes of the determined mounting method. See the following illustrations.

#### Floor Mounting



- A. #12 x 1 5/8" (4.1 cm) screws
- B. Anti-tip bracket

#### Wall Mounting



- A. #12 x 1 5/8" (4.1 cm) screws
- B. Anti-tip bracket

4. Using a Phillips screwdriver, mount anti-tip bracket to the wall or floor with the two #12 x 1 5/8" (4.1 cm) screws provided.

Depending on the thickness of your flooring, longer screws may be necessary to anchor the bracket to the subfloor. Longer screws are available from your local hardware store.

5. Move range close enough to opening to allow for electrical connections to be made. Remove shipping base, cardboard, or hardboard from under range.
6. Continue installing your range using the following installation instructions.

## Make Gas Connection

### **⚠ WARNING**



#### Explosion Hazard

Use a new CSA International approved gas supply line.

Install a shut-off valve.

Securely tighten all gas connections.

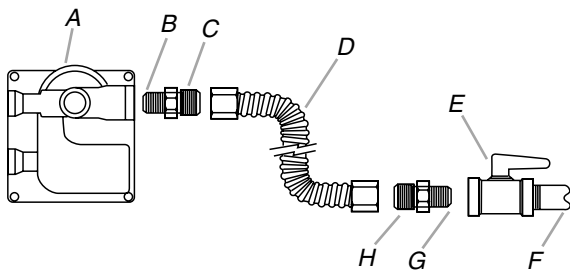
If connected to propane, have a qualified person make sure gas pressure does not exceed 14" (36 cm) water column.

Examples of a qualified person include:  
licensed heating personnel,  
authorized gas company personnel, and  
authorized service personnel.

Failure to do so can result in death, explosion, or fire.

1. Assemble flexible connector from gas supply pipe to pressure regulator located in the middle rear of the range.
2. Apply pipe-joint compound made for use with Propane gas to the smaller thread ends of the flexible connector adapters. (See B and G in the following illustration.)
3. Attach one adapter to the gas pressure regulator and the other adapter to the gas shut-off valve. Tighten both adapters, being certain not to move or turn the gas pressure regulator.
4. Use a 15/16" (2.4 cm) combination wrench and an adjustable wrench to attach the flexible gas supply to the adapters. Check that connector is not kinked.

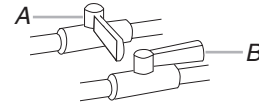
**IMPORTANT:** All connections must be wrench-tightened. Do not make connections to the gas regulator too tight. Making the connections too tight may crack the regulator and cause a gas leak. Do not allow the regulator to turn or move when tightening fittings.



- |  |   |
|--|---|
| A. Gas pressure regulator                                | E. Manual gas shut-off valve                  |
| B. Use pipe-joint compound.                              | F. 1/2" (1.3 cm) or<br>3/4" (1.9 cm) gas pipe |
| C. Adapter (must have 1/2"<br>[1.3 cm] male pipe thread) | G. Use pipe-joint compound.                   |
| D. Flexible connector                                    | H. Adapter                                    |

## Complete Connection

1. Open the manual shut-off valve in the gas supply line. The valve is open when the handle is parallel to the gas pipe.



- A. Closed valve  
B. Open valve

2. Test all connections by brushing on an approved noncorrosive leak-detection solution. If bubbles appear, a leak is indicated. Correct any leak found.
3. Remove range burner caps, and grates from parts package. Place burner caps on burner bases. Place grates over burners and caps.

### **⚠ WARNING**



#### Electrical Shock Hazard

Plug into a grounded 3 prong outlet.

Do not remove ground prong.

Do not use an adapter.

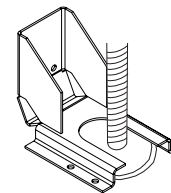
Do not use an extension cord.

Failure to follow these instructions can result in death, fire, or electrical shock.

4. Plug into a grounded 3 prong outlet.
5. Turn on power supply. For further information, please refer to the user instructions located in the Use and Care Guide.

## Verify Anti-Tip Bracket Location

1. Using a 5/16" (7.9 mm) socket or wrench, turn all four leveling rods one full turn to raise the range and provide enough clearance for the rear leveling leg to slide into the anti-tip bracket.

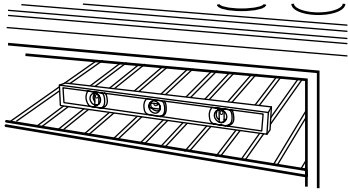


2. Move range into its final location, making sure rear leveling leg slides into anti-tip bracket.
3. Use a flashlight to look underneath the bottom of the range and visually check that the rear range foot is inserted into the slot of the anti-tip bracket.

## Level Range

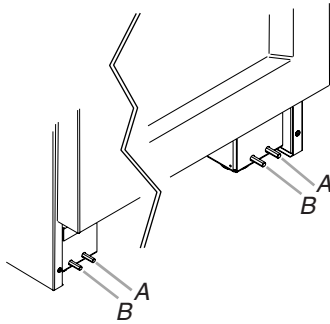
**NOTE:** Range must be level for satisfactory baking performance.

1. Place rack in oven.
2. Place level on rack and check levelness of the range, first side to side, then front to back.



3. If range is not level, adjust the leveling rods. Using a wrench, turn leveling rods located behind the kick plate to level range and to raise or lower range to the desired countertop height. Leveling rods can be adjusted up to 1 1/2" (3.9 cm).

**NOTE:** All roller feet must be off the floor upon final installation.



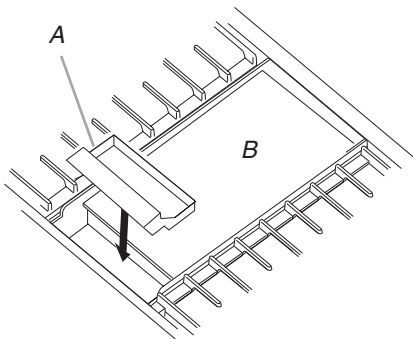
A. Rear leveling rod  
B. Front leveling rod

**NOTE:** Turning clockwise raises the unit, whereas turning counterclockwise lowers the unit.

## Install Griddle Tray (on griddle models)

The griddle is factory installed.

1. Place drip tray in the well at the front of the griddle. Slide tray toward the back until it stops.



A. Griddle drip tray  
B. Griddle

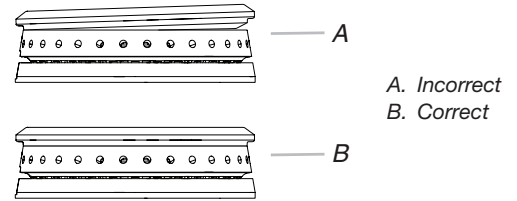
2. Clean griddle before using. Refer to the Use and Care Guide.

## Electronic Ignition System

### Install Burner Caps

Place burner caps on top of burner. If burner caps are not properly positioned, surface burners will not light.

**Burner**



A. Incorrect  
B. Correct

### Initial Lighting and Gas Flame Adjustments

Range burners use electronic igniters in place of standing pilots. When the range control knob is turned to any position, the system creates a spark to light the burner. This sparking continues until the flame is lit or the knob is turned to OFF.

**NOTE:** The first time igniting the burners will take longer. This allows the gas to reach the burners during the first use.

### Check Operation of Range Burners

Push in and turn each control knob to IGNITE.

**NOTE:** You will hear a clicking sound while the line clears.

The surface burners and grill flames should light within 4 seconds. The first time a burner is lit, it may take longer than 4 seconds to light because of air in the gas line.

After verifying the proper burner operation, turn the control knobs to OFF.

**If burners do not light properly:**

- Turn range control knob to OFF.
- Check that the range is plugged in and the circuit breaker has not tripped or the fuse has not blown.
- Check that the gas shut-off valves are set to the open position.
- Check that burner caps are properly positioned on burner bases.

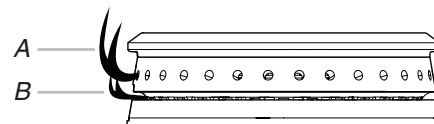
Repeat startup. If a burner does not light at this point, contact your dealer or authorized service company for assistance.

### Flame Height

The range flame should be a steady blue flame.

**NOTE:** Flame heights are factory set. If they don't appear correct, please contact your service provider.

**Burner**



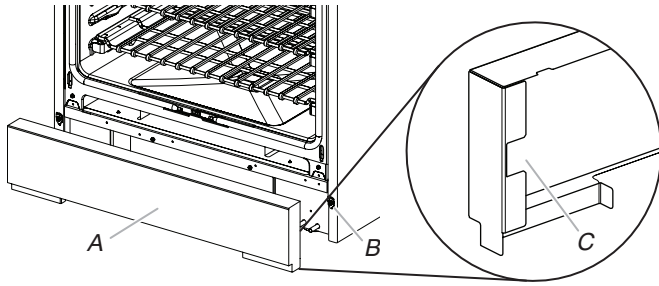
A. Upper (main) flame  
B. Lower (simmer) flame

---

## Install Kick Plate

**NOTE:** Door must be removed in order to remove or replace kick plate. Refer to the “Remove Door” section.

Align kick plate over the kick plate slots and push kick plate down.



- A. Kick plate
- B. Kick plate tab
- C. Kick plate slot

---

## Complete Installation

1. Check that all parts are now installed. If there is an extra part, go back through the steps to see which step was skipped.
2. Check that you have all of your tools.
3. Dispose of/recycle all packaging materials.
4. For oven use and cleaning, read the Use and Care Guide.

### Check Operation of Oven(s)

1. Turn power on.
2. Start a Bake cycle. See the Use and Care Guide for operating instructions.

#### If oven(s) does not operate, check the following:

- Household fuse is intact and tight or circuit breaker has not tripped.
  - Electrical supply is connected.
  - See the “Troubleshooting” section in the Use and Care Guide.
3. When oven has been on for 10–15 minutes, open the oven door and feel for heat.

If you do not feel heat, turn off the oven and contact a qualified technician.

#### If you need Assistance or Service:

Please reference the “Assistance or Service” section of the Use and Care Guide or contact the dealer from whom you purchased your range.

# GAS CONVERSIONS

**IMPORTANT:** Gas conversions from Natural gas to Propane gas must be done by a qualified installer.

## **⚠️ WARNING**



### **Explosion Hazard**

Use a new CSA International approved gas supply line.

Install a shut-off valve.

Securely tighten all gas connections.

If connected to propane, have a qualified person make sure gas pressure does not exceed 14" (36 cm) water column.

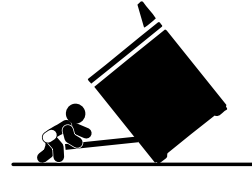
Examples of a qualified person include:

licensed heating personnel,  
authorized gas company personnel, and  
authorized service personnel.

Failure to do so can result in death, explosion, or fire.

## **Propane Gas Conversion**

## **⚠️ WARNING**



### **Tip Over Hazard**

A child or adult can tip the range and be killed.

Install anti-tip bracket to floor or wall per installation instructions.

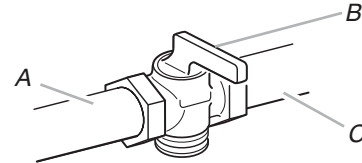
Slide range back so rear range foot is engaged in the slot of the anti-tip bracket.

Re-engage anti-tip bracket if range is moved.

Do not operate range without anti-tip bracket installed and engaged.

Failure to follow these instructions can result in death or serious burns to children and adults.

1. Turn the manual shut-off valve to the closed position.



- A. To range
- B. Shut-off valve (closed position)
- C. Gas supply line

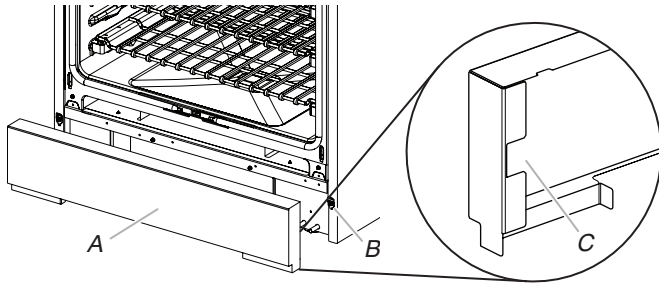
2. Unplug range or disconnect power.



## To Convert Gas Pressure Regulator from Natural Gas to Propane

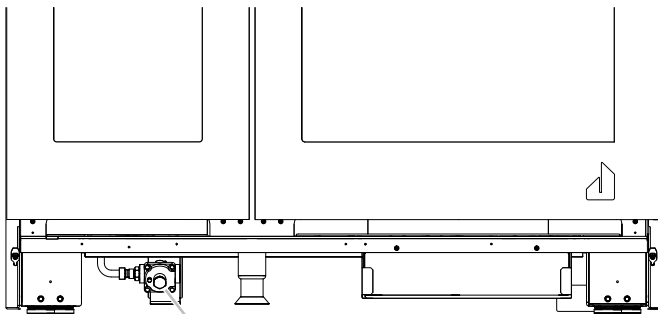
**NOTE:** Door must be removed in order to remove or replace kick plate. Refer to the “Remove Door” section.

1. Lift the kick plate up and off of the kick plate tab.



A. Kick plate  
B. Kick plate tab  
C. Kick plate slot

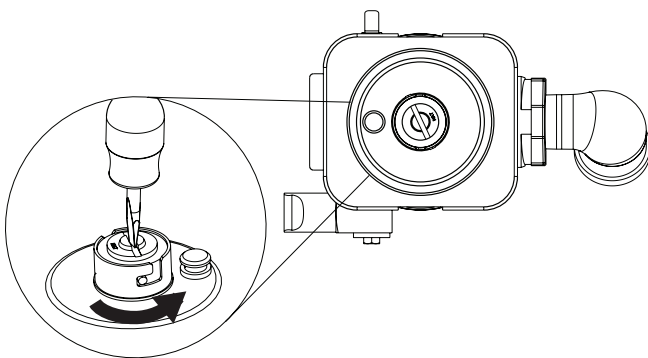
2. Gently lay kick plate aside to avoid scratching.
3. Locate the gas pressure regulator at the left rear of the range.



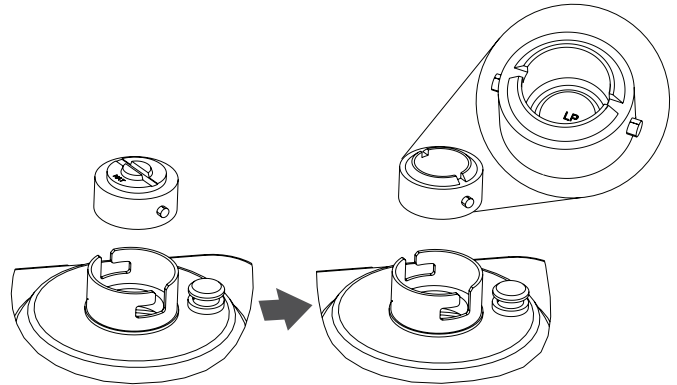
A. Gas pressure regulator

4. Remove the gas pressure regulator cap by using a large flat-blade screwdriver, turning the regulator cap counterclockwise.

**NOTE:** Do not remove the spring beneath the cap.



5. Turn over the gas pressure regulator cap, and reinstall on the regulator so that the hollow end faces out and the letters “LP” are visible.



6. Tighten the gas pressure regulator cap by using a large flat-blade screwdriver, turning the regulator cap clockwise.
7. Test the gas pressure regulator and gas supply line. The regulator must be checked at a minimum 1" (2.5 cm) water column above the set pressure. The inlet pressure to the regulator should be as follows for operation and checking the regulator setting:

### Propane Gas:

Minimum pressure: 11" (27.9 cm) WCP

Maximum pressure: 14" (35.6 cm) WCP

### Gas Supply Pressure Testing

Gas supply pressure for testing regulator must be at least 1" (2.5 cm) water column pressure above the manifold pressure shown on the model/serial/rating plate.

#### Line pressure testing above 1/2 psi (3.5 kPa) gauge (14" [35.6 cm] WCP)

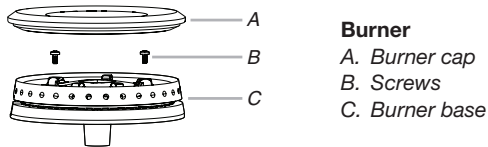
The range and its individual shut-off valve must be disconnected from the gas supply piping system during any pressure testing of that system at test pressures in excess of 1/2 psi (3.5 kPa).

#### Line pressure testing at 1/2 psi (3.5 kPa) gauge (14" [35.6 cm] WCP) or lower

The range must be isolated from the gas supply piping system by closing its individual manual shut-off valve during any pressure testing of the gas supply piping system at test pressures equal to or less than 1/2 psi (3.5 kPa).

## To Convert Surface Burners from Natural Gas to Propane

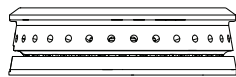
1. If the burner grates are installed, remove them.
2. Remove burner cap.
3. Remove the burner base by first removing (2) T-20 screws.



4. Apply masking tape to the end of a 1/4" (6.4 mm) nut driver to help hold the gas orifice spud in the nut driver while changing it. Insert nut driver into the gas opening and press down onto the gas orifice spud and remove by turning the gas orifice spud counterclockwise and lifting out. Set gas orifice spud aside.
5. Replace with correct Propane gas orifice spud. See the "Propane Gas Orifice Spud/Hood Chart". Use the following chart to find the exact orifice spud placement.

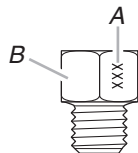
### Propane Gas Orifice Spud/Hood Chart

| Burner Rating | Stamp | Size    | Burner Style           |
|---------------|-------|---------|------------------------|
| 7,400 BTUs    | 70    | 0.70 mm | Small burner - main    |
|               | 44    | 0.44 mm | Small burner - simmer  |
| 13,000 BTUs   | 99    | 0.99 mm | Large burner - main    |
|               | 50    | 0.50 mm | Larger burner - simmer |
| 16,000 BTUs   | 116   | 1.16 mm | Grill burner           |



**NOTE:** Refer to serial tag for more information on burner ratings and locations.

### Burner orifice spud

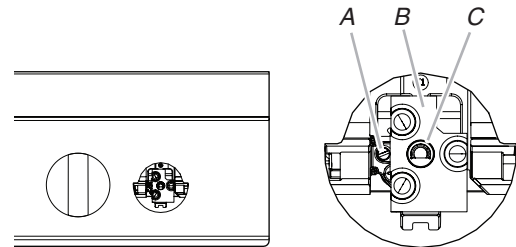


- A. Size stamp  
 B. Fuel type stamp (L or N)

6. Place Natural gas orifice in plastic parts bag for future use and keep with package containing literature.  
**NOTE:** There may be extra orifices in your kit.
7. Replace the burner base and screws. Tighten screws only until burner is snug to cooktop, do not over-tighten.
8. Replace burner cap.
9. Repeat steps 2 through 8 for the remaining burners.

## Adjusting Simmer Low and Main Low Settings on Surface Burner for Propane

1. Remove the surface burner control knobs and bezels (oven control knobs and griddle control knobs do not have to be removed).
2. Locate the Simmer low-turndown adjustment screw through the bezel on the left side of the ignition switch.



- A. Simmer low-turndown adjustment screw  
 B. Ignition switch  
 C. Main low-turndown adjustment screw (inside stem)

3. With the burner ON, and set to Simmer Lo, adjust the simmer flame down to the proper BTU level. Using a 1/8" x 4 1/4" (3.2 mm x 108 mm) flat blade screwdriver, turn the simmer low-turndown adjustment screw clockwise until the flame height is below the bottom of the cap. If the flame becomes unstable and flickers or appears to race around the burner, the adjustment is too low and the screw should be adjusted counterclockwise until the flame is stable. Repeat this step for all surface burners, except the grill burner.

**NOTE:** Use a knob to adjust the burner valve.

**NOTE:** If your range has the IR grill, then skip ahead to the Convert IR Grill Burner section.

**NOTE:** Adjust each burner individually.

4. With burner OFF, using the same flat blade screwdriver, turn the main low-turndown adjustment screw 120-135 degrees clockwise. This will set the main low burner rate to a proper level.
5. Replace the bezels using the 2 screws which attach to the valve brackets.
6. Push the surface knobs onto the valve stems.
7. Replace burner grates.

### Flame Height

The cooktop flame should be a steady blue flame approximately 1/4" (6.4 mm) high.

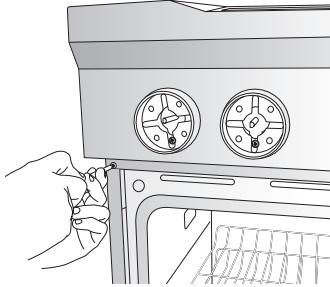
### Burner



- A. Upper (main) flame  
 B. Lower (simmer) flame

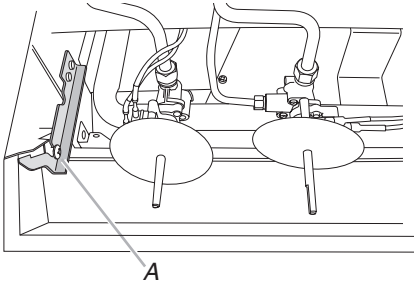
### To Adjust Flame Height:

1. Unplug range or disconnect power.
2. Remove burner grates.
3. Remove the control knobs.
4. Open the oven door and remove the two screws on each side of the range that hold the control console in place.



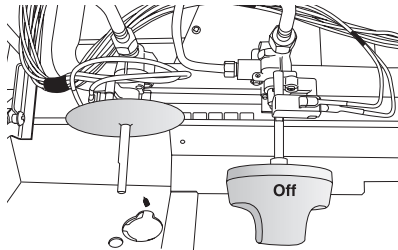
**NOTE:** Make sure to leave oven door open or the control console will not rest in the side brackets properly once it is detached.

5. Pull up on the control console and let it drop forward into the notched console brackets on each side.

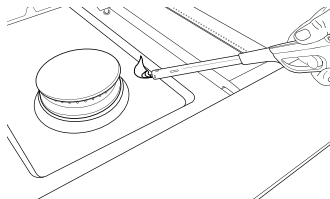


A. Control console bracket

6. Put a control knob onto the valve stem of the burner you want to adjust.

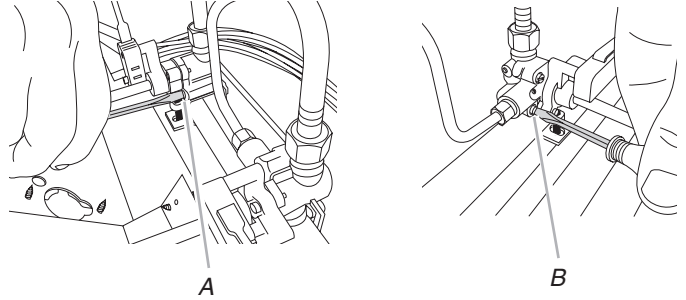


7. Turn the control knob to LO and, using a butane extension lighter, light the burner.



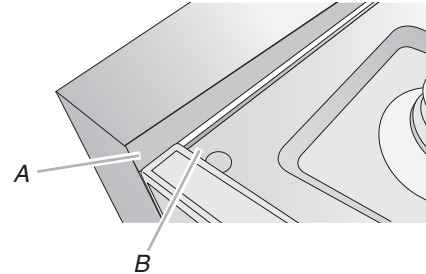
8. Remove the control knob.

9. Use a 1/8" x 4 1/4" (3 mm x 100 mm) flat-blade screwdriver to adjust the flame height. Tighten screw to reduce flame height. Loosen screw to increase flame height.



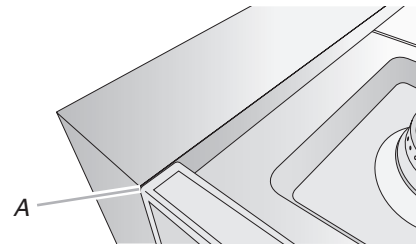
A. Single flame burner adjustment screw (on right side of valve)  
B. Dual flame burner adjustment screw (on left side of valve)

10. When finished adjusting the flame height, put a control knob back onto the valve stem and turn off the burner.
11. Remove the control knob.
12. Repeat steps 6 through 13 for any other burners that need adjustment.
13. Lift up on the control console and set it back into place. For a proper fit, the flange of the control console must hook over the lip on the front of the range cooktop.



A. Control console flange  
B. Front lip of range cooktop

14. Check that the control console is flush with the top edge of the range.

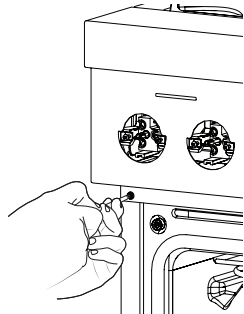


A. Flush with range top

15. Replace the two screws on each side of the control console.
16. Replace the control knobs.
17. Replace burner grates.
18. Test the flame by turning the control from LO to HI, checking the flame at each setting.

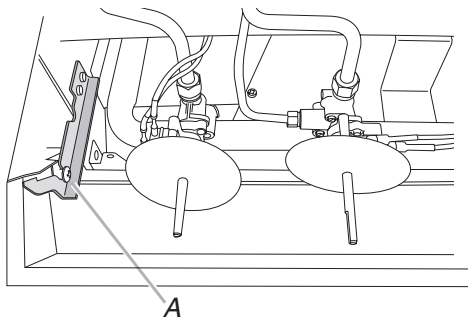
## To Convert IR Grill Burner for Propane

1. Unplug range or disconnect power.
2. Remove grill knob and bezel. The other surface knobs and bezels should still be off the range.
3. Open the oven door and remove the two screws on each side of the range that hold the control console in place.



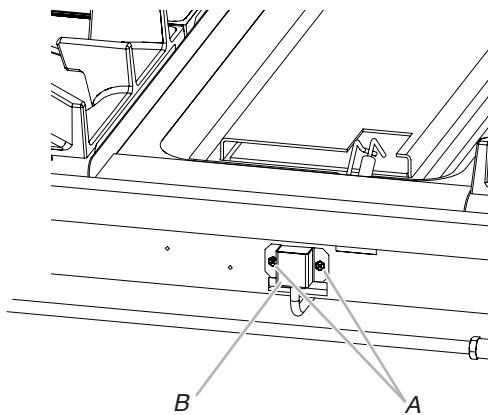
**NOTE:** Make sure to leave oven door open or the control console will not rest in the side brackets properly once it is detached.

4. Pull up on the control console and let it drop forward into the notched console brackets on each side.



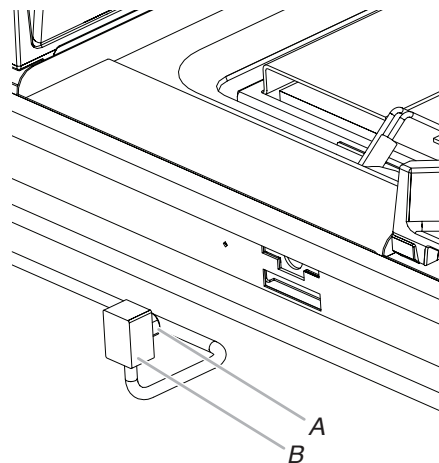
A. Control console bracket

5. Remove the two screws holding the grill orifice holder bracket.



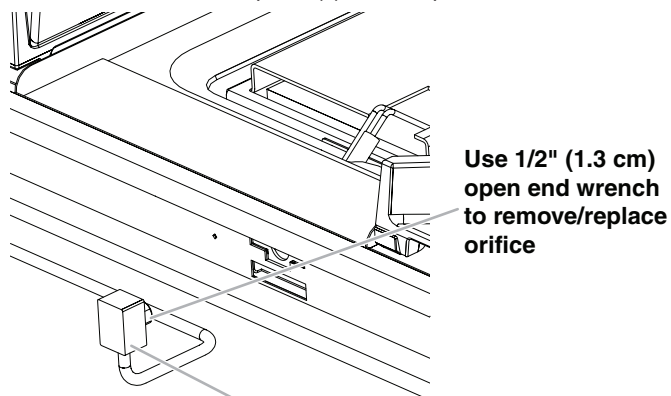
A. Screws  
B. Grill orifice holder bracket

6. Pull the grill orifice holder out of the burner box far enough away to allow access to the orifice with a wrench, using caution not to kink the attached tubing.



A. Grill orifice  
B. Grill orifice holder

7. Using an adjustable wrench and a 1/2" (1.3 cm) open end wrench remove the Natural (NG) gas orifice spud and replace with the correct Propane (L) orifice spud.

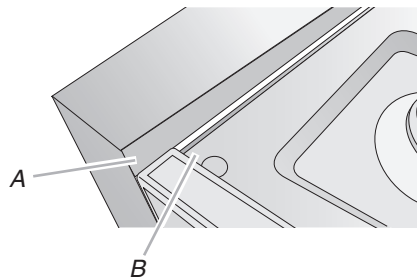


Use 1/2" (1.3 cm) open end wrench to remove/replace orifice

Hold with adjustable wrench here

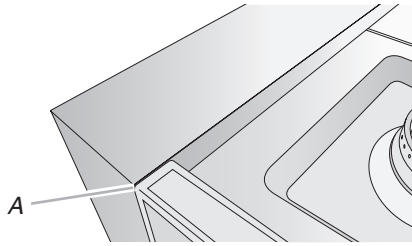
8. Reposition the grill orifice holder assembly back into the burner box, and replace the grill orifice holder bracket and two holder screws.
9. Lift up on the control console and set it back into place. For a proper fit, the flange of the control console must hook over the lip on the front of the range cooktop.

**NOTE:** It may be necessary to lift valve stems to align with console holes.



A. Control console flange  
B. Front lip of range cooktop

- Check that the control console is flush with the top edge of the range.

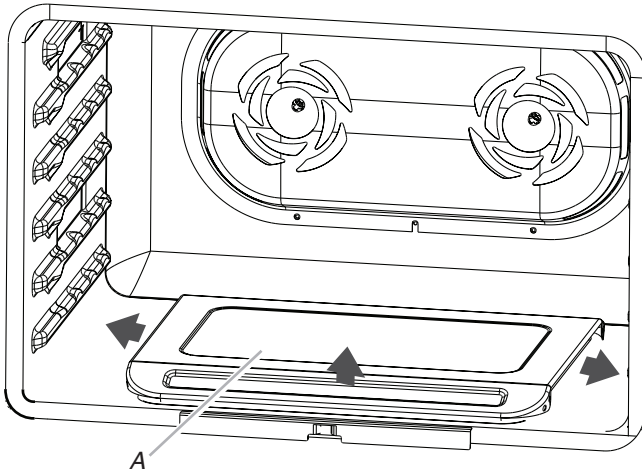


A. Flush with range top

- Replace the screws on each side of the control console.
- Replace the control knobs and bezels.
- Replace burner grates.

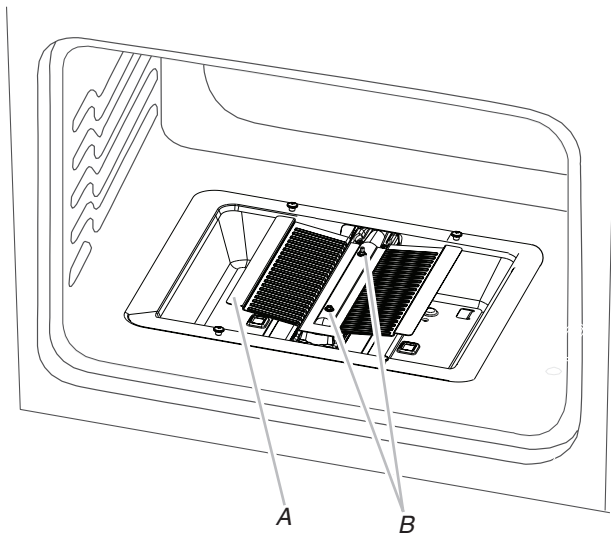
**Convert Oven Bake Burner (30" [76.2 cm] and 36" [91.4 cm] models and the right oven cavity on 48" [121.9 cm] models)**

- Slide the bake burner cover to the right or left.



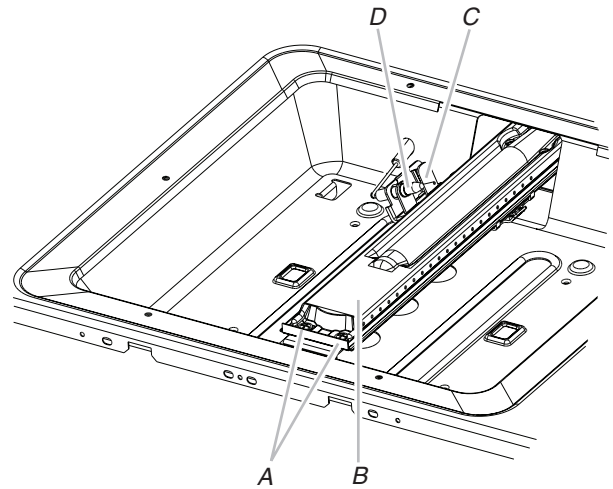
A. Bake burner cover

- Lift up and remove oven bake burner cover, and set aside.
- Using a 1/4" (6.4 mm) nut driver, unscrew oven baffle nuts and remove oven baffle. Set aside.



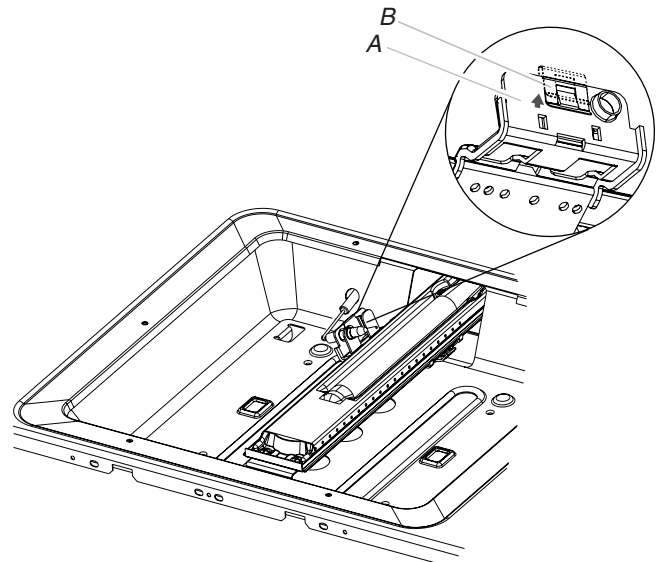
A. Oven baffle  
B. Oven baffle nuts

- Remove the oven bake burner screws and oven bake burner. Rotate burner 90° to the left, and gently lay on its side.



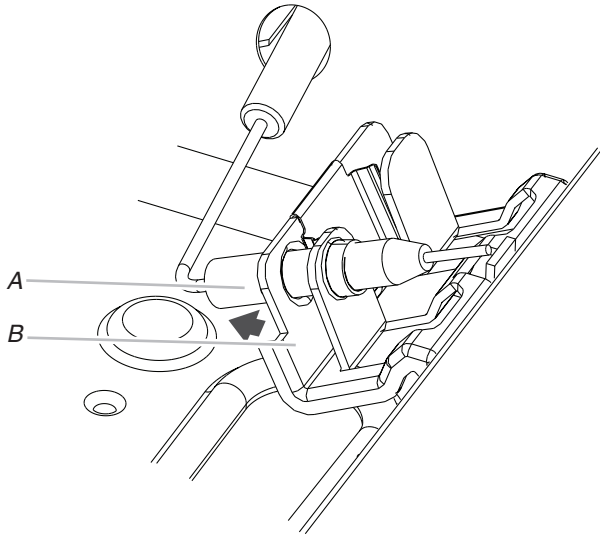
A. Oven bake burner screws  
B. Oven bake burner  
C. Oven bake burner electrode bracket  
D. Oven bake burner electrode

- Lift up clip on the oven bake burner electrode bracket with a finger or flat-blade screwdriver, and pull away the electrode.

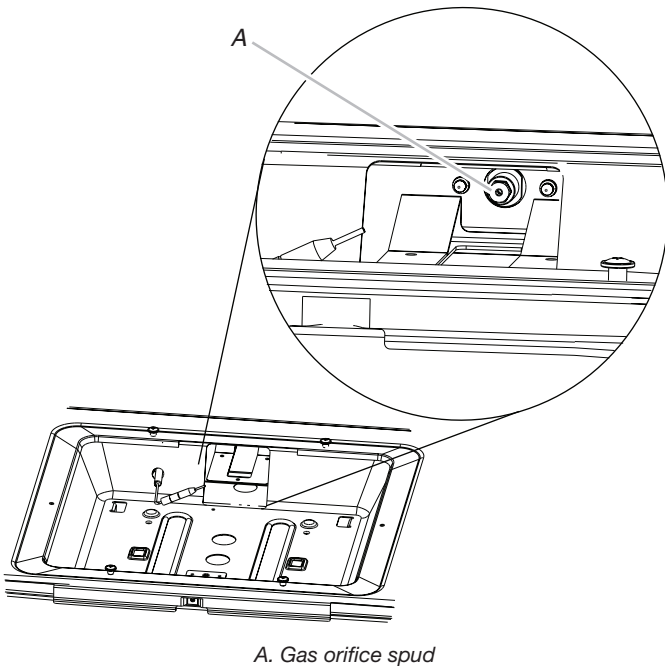


A. Oven bake burner electrode bracket  
B. Electrode bracket clip

6. Pull electrode out of bracket.



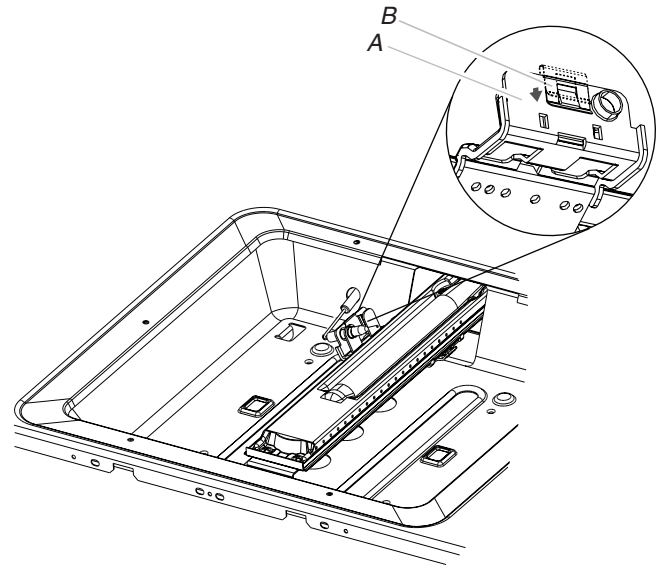
7. Apply masking tape to the end of a 1/4" (6.4 mm) nut driver to help hold the gas orifice spud in the nut driver while changing it. Insert nut driver into the gas opening, and press down onto the gas orifice spud, then remove by turning the gas orifice spud counterclockwise and lifting out. Set gas orifice spud aside.



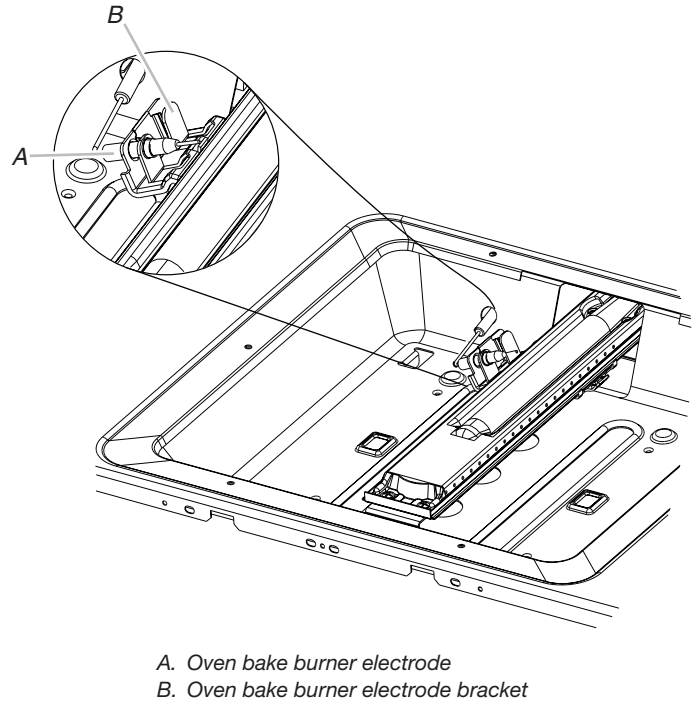
8. Gas orifice studs are stamped with a letter and a number. Install the Number 125 oven bake burner orifice spud.

9. Place Natural gas orifice in plastic parts bag for future use, and keep with package containing literature.

10. Push down on the clip on the electrode bracket.



11. Replace oven bake burner electrode inside bracket.

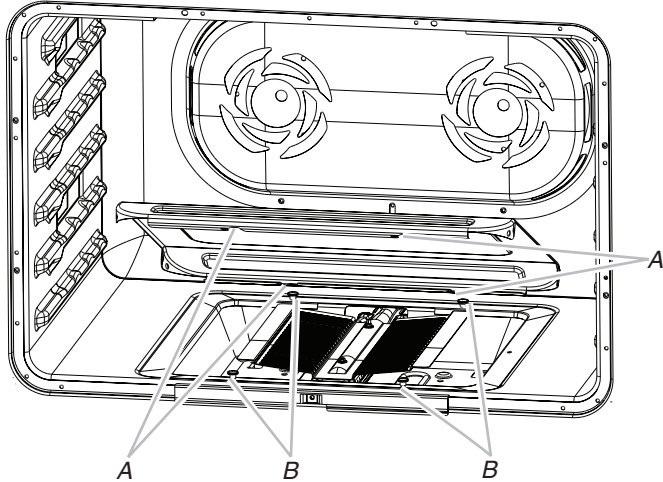


12. Reinstall the oven bake burner and oven bake burner screws. See Step 4 for illustration.

13. Replace oven baffle and oven baffle nuts. The front holes will be aligned, and a click will sound when baffle is seated.

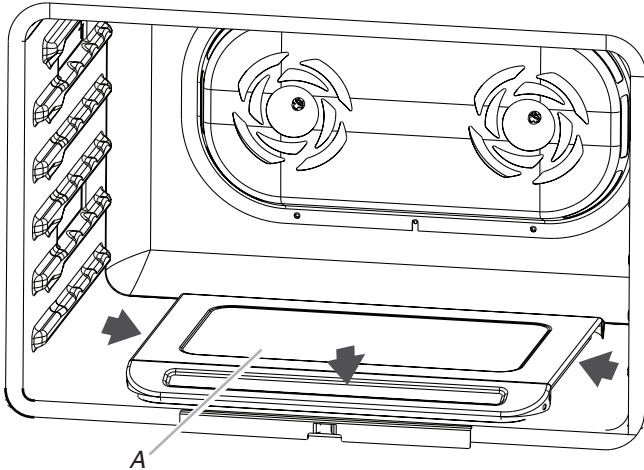
## Replace Oven Bake Burner Cover

1. Align notches on the oven bake burner cover with shoulder screws in the bottom of the oven.



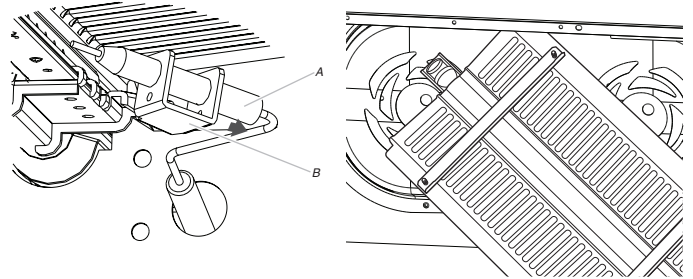
A. Cover notches (4)  
B. Shoulder screws (4)

2. Lower cover, and slide to left or right to slide shoulder screws into the narrow ends of the notches, then lock into place.



A. Bake burner cover

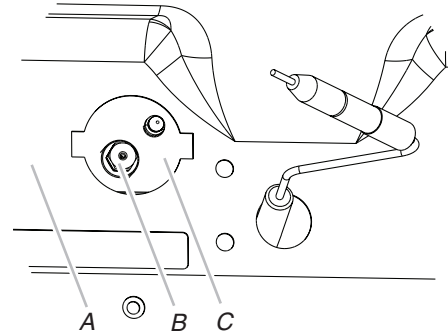
2. Pull the broil burner toward you until it slides out of the hole in the oven back, and pull the electrode out of the bracket. The broil burner will hang down in the back of the oven while you change the orifice.



A. Grasp electrode here.  
B. Bracket

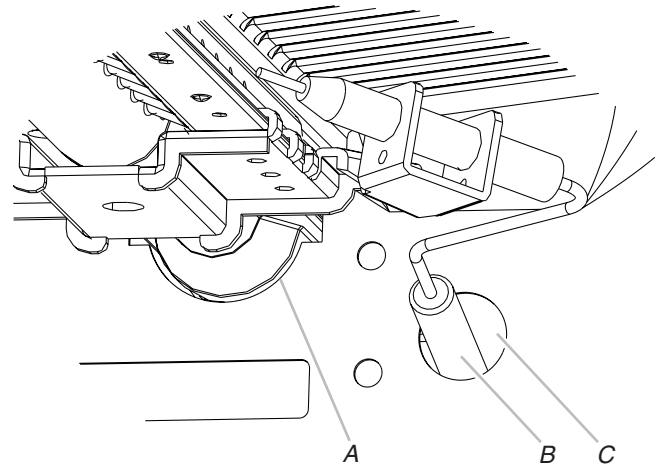
Broil burner hanging  
in back of oven

3. Apply masking tape to the end of a 1/4" (6.4 mm) nut driver to help hold the gas orifice spud in the nut driver while changing it. Insert nut driver into the gas opening, and press down onto the gas orifice spud, then remove by turning the gas orifice spud counterclockwise and lifting out. Set gas orifice spud aside.



A. Oven back  
B. Broil burner orifice  
C. Broil burner orifice hole

4. Gas orifice studs are stamped with a letter and a number. Install the Number 90 oven broil burner orifice spud.
5. Place Natural gas orifice in plastic parts bag for future use, and keep with package containing literature.
6. Replace the broil burner in the hole in the oven back with the broil burner assembly inside the broil burner electrode hole as illustrated.

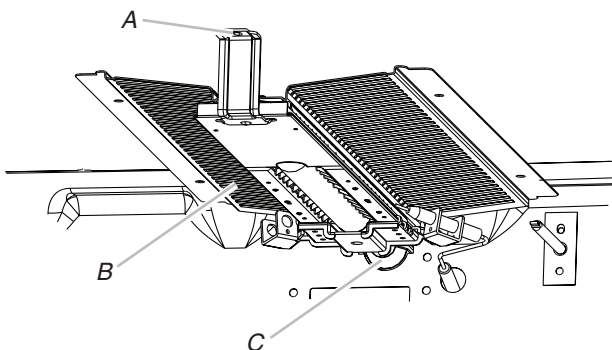


A. Broil burner orifice hole  
B. Broil burner electrode  
C. Broil burner electrode hole

7. Reinstall the oven broil burner screw. See Step 1 for illustration. The screw is aligned with the hole when a click sounds.

## Convert Oven Broil Burner (30" [76.2 cm] and 36" [91.4 cm] models and the right oven cavity on 48" [121.9 cm] models)

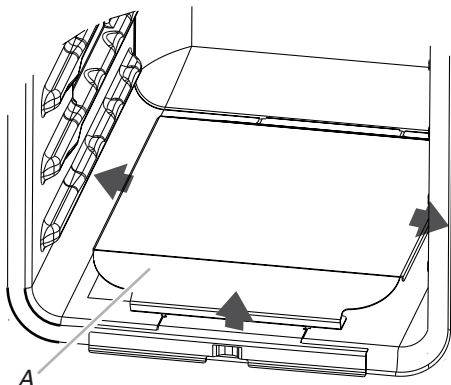
1. Using a 1/4" (6.4 mm) nut driver, remove broil burner screw. Set aside with side igniter positioned on the right.



A. Broil burner screw  
B. Broil burner  
C. Broil burner orifice hole

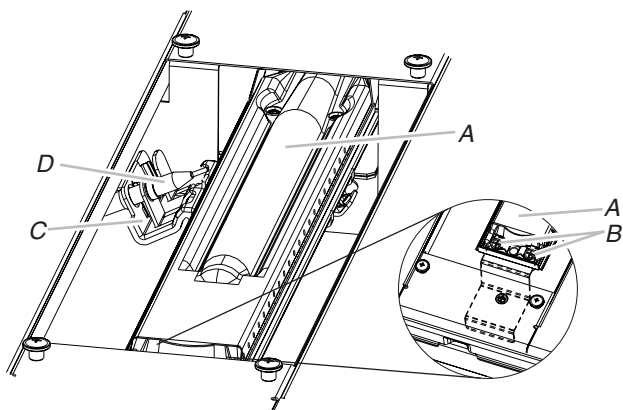
**Convert Oven Bake Burner (left oven cavity on 48" [121.9 cm] models)**

1. Remove oven racks. See the "Remove Racks" section.
2. Remove the oven door. See the "Remove Oven Door" section.
3. Slide the bake burner cover to the right or left.



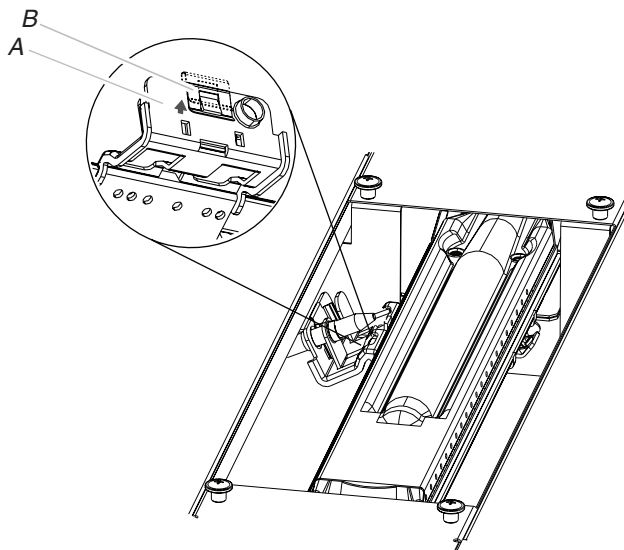
A. Bake burner cover

4. Lift up and remove oven bake burner cover, and set aside.
5. Remove the oven bake burner screws and oven bake burner, and gently set aside.



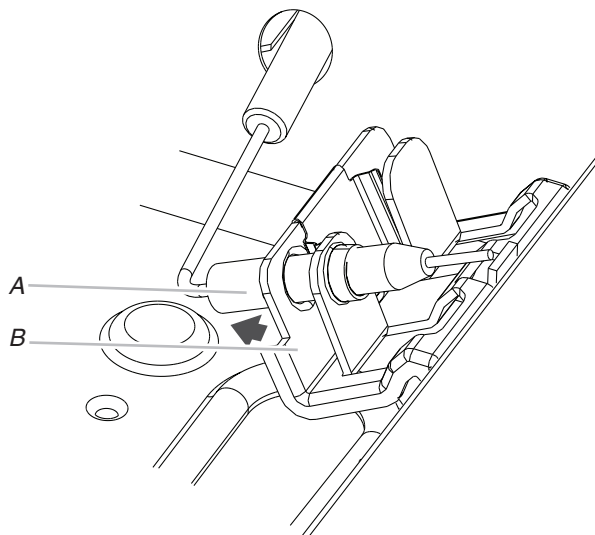
A. Oven bake burner  
 B. Oven bake burner screws  
 C. Oven bake burner electrode bracket  
 D. Oven bake burner electrode

6. Lift clip up on the oven bake burner electrode bracket with a finger or flat-blade screwdriver.



A. Oven bake burner electrode bracket  
 B. Electrode bracket clip

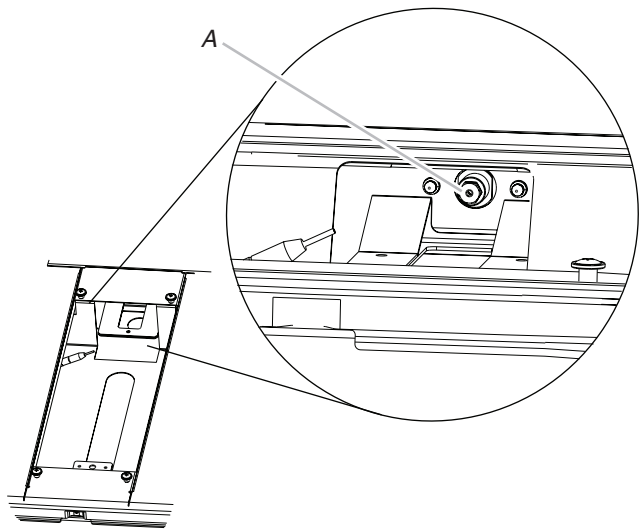
7. Pull electrode out of bracket.



A. Grasp electrode here.  
 B. Bracket

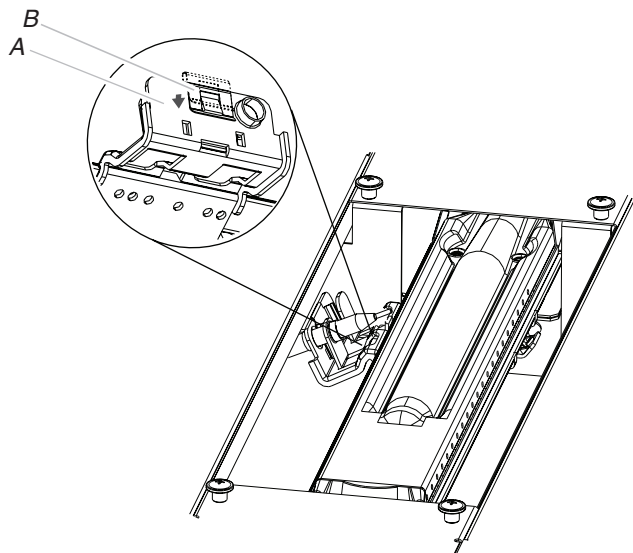


- Apply masking tape to the end of a 1/4" (6.4 mm) nut driver to help hold the gas orifice spud in the nut driver while changing it. Insert nut driver into the gas opening, and press down onto the gas orifice spud, then remove by turning the gas orifice spud counterclockwise and lifting out. Set gas orifice spud aside.



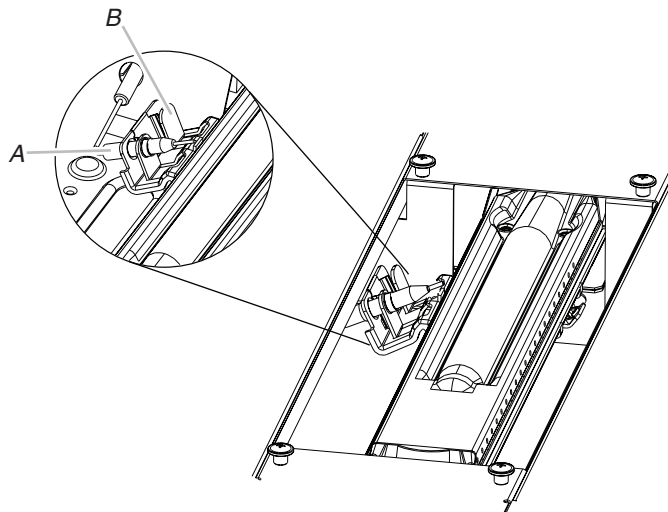
A. Gas orifice spud

- Gas orifice studs are stamped with a letter and a number. Install the Number 105 oven bake burner orifice spud.
- Place Natural gas orifice in plastic parts bag for future use, and keep with package containing literature.
- Push down on the clip on the electrode bracket.



A. Oven bake burner electrode bracket  
B. Electrode bracket clip

- Replace oven bake burner electrode inside bracket.

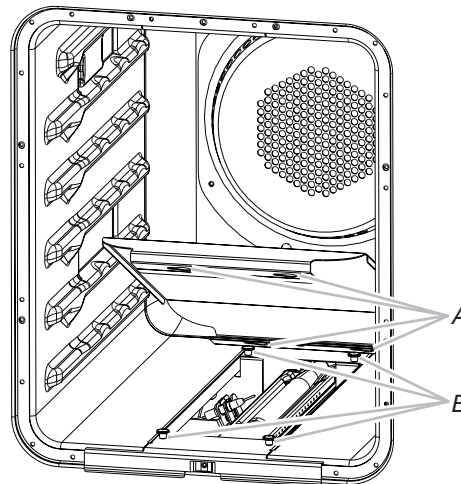


A. Oven bake burner electrode  
B. Oven bake burner electrode bracket

- Reinstall the oven bake burner and oven bake burner screws. See Step 5 for illustration.

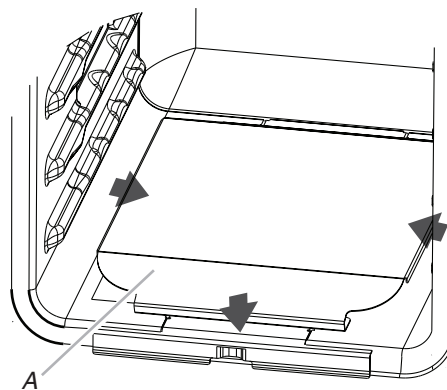
### Replace Oven Bake Burner Cover

- Align rear shoulder screw mounting holes (keyholes) on the oven bake burner cover with shoulder screws in the bottom of the oven.



A. Shoulder screw mounting holes (keyholes)  
B. Shoulder screws

- Drop cover and slide to left or right to slide shoulder screws into narrow ends of keyholes, and lock into place.



A. Bake burner cover

## Complete Installation

1. Refer to the "Make Gas Connection" section for properly connecting the range to the gas supply.
2. Refer to the "Electronic Ignition System" section for proper burner ignition, operation, and burner flame adjustments.

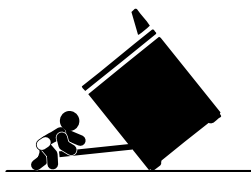
**IMPORTANT:** You may have to adjust the "LO" setting for each range burner.

Checking for proper range burner flame is very important. The small inner cone should have a very distinct blue flame 1/4" (6.4 mm) to 1/2" (1.3 cm) long. The outer cone is not as distinct as the inner cone. Propane gas flames have a slightly yellow tip.

3. Refer to "Complete Installation" in the "Installation Instructions" section of this manual to complete this procedure.

## Natural Gas Conversion

### **WARNING**



#### Tip Over Hazard

**A child or adult can tip the range and be killed.**

**Install anti-tip bracket to floor or wall per installation instructions.**

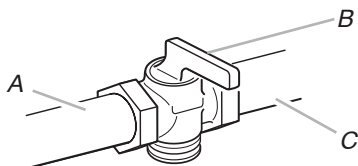
**Slide range back so rear range foot is engaged in the slot of the anti-tip bracket.**

**Re-engage anti-tip bracket if range is moved.**

**Do not operate range without anti-tip bracket installed and engaged.**

**Failure to follow these instructions can result in death or serious burns to children and adults.**

1. Turn the manual shut-off valve to the closed position.



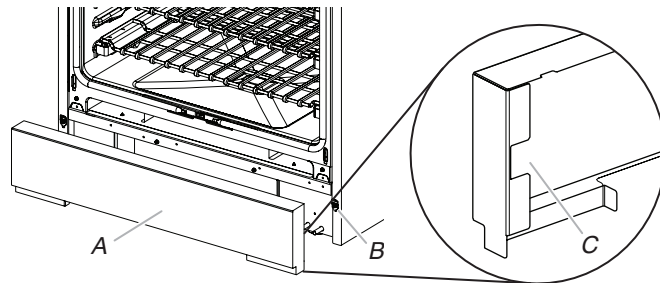
- A. To range
- B. Shut-off valve (closed position)
- C. Gas supply line

2. Unplug range or disconnect power.

## To Convert Gas Pressure Regulator from Propane to Natural Gas

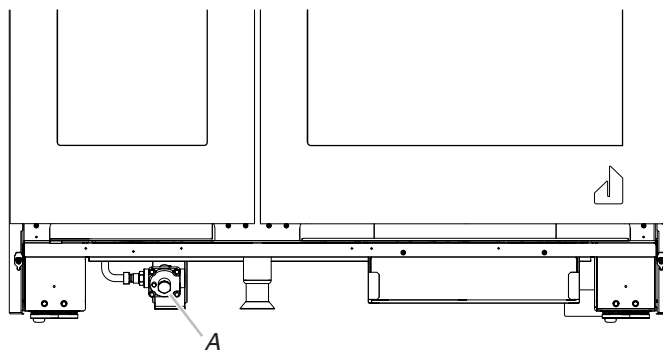
**NOTE:** Door must be removed in order to remove or replace kick plate. Refer to the "Remove Door" section.

1. Lift the kick plate up and off of the kick plate tab.



- A. Kick plate
- B. Kick plate tab
- C. Kick plate slot

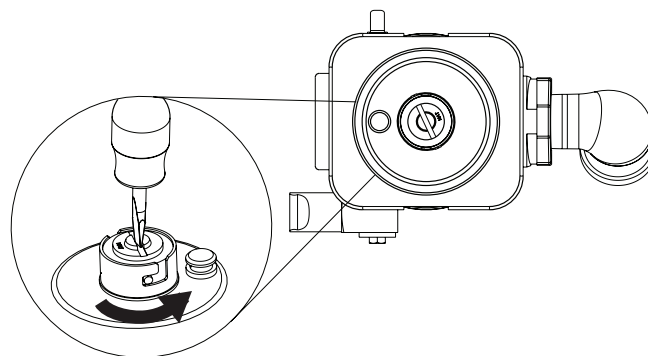
2. Gently lay kick plate aside to avoid scratching the stainless steel.
3. Locate the gas pressure regulator at the left rear of the range.



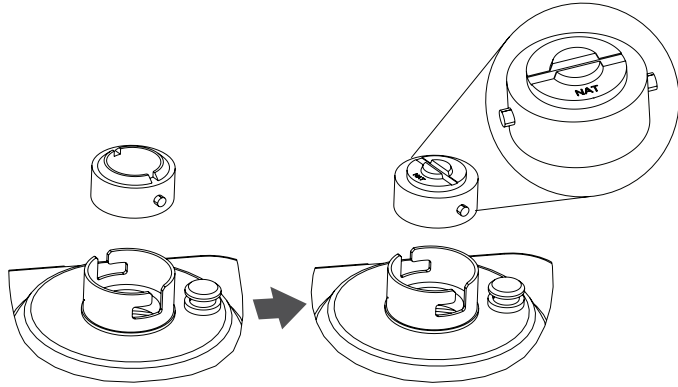
A. Gas pressure regulator

4. Remove the gas pressure regulator cap by using a large flat-blade screwdriver, turning the regulator cap counterclockwise.

**NOTE:** Do not remove the spring beneath the cap.



- Turn over the gas pressure regulator cap, and reinstall on the regulator so that the hollow end faces in and the letters "NAT" are visible.



- Tighten the gas pressure regulator cap by using a large flat-blade screwdriver, turning the regulator cap clockwise.
- Test the gas pressure regulator and gas supply line. The regulator must be checked at a minimum 1" (2.5 cm) water column above the set pressure. The inlet pressure to the regulator should be as follows for operation and checking the regulator setting:

**Natural Gas:**

Minimum pressure: 6" (15.2 cm) WCP

Maximum pressure: 14" (35.6 cm) WCP

**Gas Supply Pressure Testing**

Gas supply pressure for testing regulator must be at least 1" (2.5 cm) water column pressure above the manifold pressure shown on the model/serial/rating plate.

**Line pressure testing above 1/2 psi (3.5 kPa) gauge (14" [35.6 cm] WCP)**

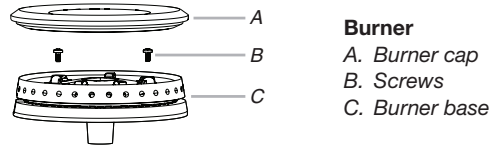
The range and its individual shut-off valve must be disconnected from the gas supply piping system during any pressure testing of that system at test pressures in excess of 1/2 psi (3.5 kPa).

**Line pressure testing at 1/2 psi (3.5 kPa) gauge (14" [35.6 cm] WCP) or lower**

The range must be isolated from the gas supply piping system by closing its individual manual shut-off valve during any pressure testing of the gas supply piping system at test pressures equal to or less than 1/2 psi (3.5 kPa).

**To Convert Surface Burners from Propane to Natural Gas**

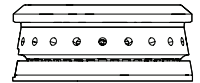
- If the burner grates are installed, remove them.
- Remove burner cap.
- Remove the burner base by first removing (2) T-20 screws.



- Apply masking tape to the end of a 1/4" (6.4 mm) nut driver to help hold the gas orifice spud in the nut driver while changing it. Insert nut driver into the gas opening and press down onto the gas orifice spud and remove by turning the gas orifice spud counterclockwise and lifting out. Set gas orifice spud aside.
- Replace with correct Natural gas orifice spud. See the "Natural Gas Orifice Spud/Hood Chart." Use the following chart to find the exact orifice spud placement.

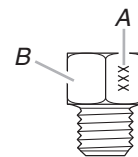
**Natural Gas Orifice Spud/Hood Chart**

| Burner Rating       | Stamp | Size    | Burner Style          |
|---------------------|-------|---------|-----------------------|
| 9,200 BTUs          | 130   | 1.30 mm | Small burner - main   |
|                     | 70    | 0.70 mm | Small burner - simmer |
| 18,000 BTUs (REAR)  | 193   | 1.93 mm | Large burner - main   |
|                     | 78    | 0.78 mm | Large burner - simmer |
| 20,000 BTUs (FRONT) | 203   | 2.03 mm | Large burner - main   |
|                     | 78    | 0.78 mm | Large burner - simmer |
| 16,000 BTUs         | 180   | 1.80 mm | Grill burner          |



**NOTE:** Refer to serial tag for more information on burner ratings and locations.

**Burner orifice spud**

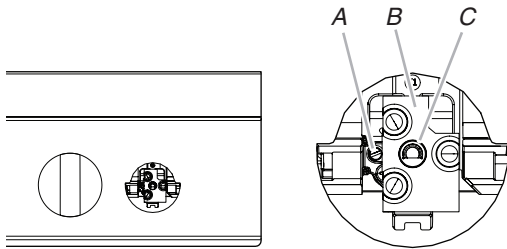


- A. Size stamp
- B. Fuel type stamp (L or N)

- Place Propane gas orifice spuds in plastic parts bag for future use and keep with package containing literature.
- Replace the burner base and screws. Tighten screws only until burner is snug to cooktop, do not over-tighten.
- Replace burner cap.
- Repeat steps 2 through 8 for the remaining burners.

## Adjusting Simmer Low and Main Low Settings on Surface Burner for Natural Gas

1. Remove the surface burner control knobs and bezels (oven control knobs and griddle control knobs do not have to be removed).
2. Locate the Simmer low-turndown adjustment screw through the bezel on the left side of the ignition switch.



- A. Simmer low-turndown adjustment screw  
 B. Ignition switch  
 C. Main low-turndown adjustment screw (inside stem)

3. With the burner ON, and set to Simmer Lo, adjust the simmer flame down to the proper BTU level. Using a 1/8" x 4 1/4" (3.2 mm x 108 mm) flat blade screwdriver, turn the simmer low-turndown adjustment screw counterclockwise until the flame becomes stable, does not flicker, or appear to race around the burner. Once the flame is stable, turn the burner rate to SIMMER HIGH setting. The flame should increase to approximately 2X the flame height. If not, the low-turndown may be able to be adjusted low and still remain stable. Repeat this step for all surface burners, except the grill burner.

**NOTE:** Use a knob to adjust the burner valve.

**NOTE:** If your range has the IR grill, then skip ahead to the Convert IR Grill Burner section.

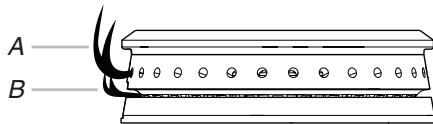
**NOTE:** Adjust each burner individually.

4. With burner OFF, using the same flat blade screwdriver, turn the main low-turndown adjustment screw 120-135 degrees counterclockwise. This will set the main low burner rate to a proper level.
5. Replace the bezels using the 2 screws which attach to the valve brackets.
6. Push the surface knobs onto the valve stems.
7. Replace burner grates.

## Flame Height

The cooktop flame should be a steady blue flame approximately 1/4" (6.4 mm) high.

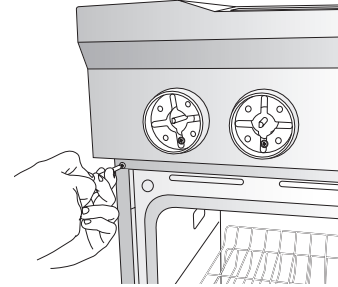
### Burner



- A. Upper (main) flame  
 B. Lower (simmer) flame

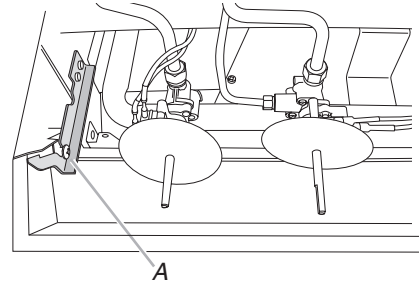
## To Adjust Flame Height:

1. Unplug range or disconnect power.
2. Remove burner grates.
3. Remove the control knobs.
4. Open the oven door and remove the two screws on each side of the range that hold the control console in place.



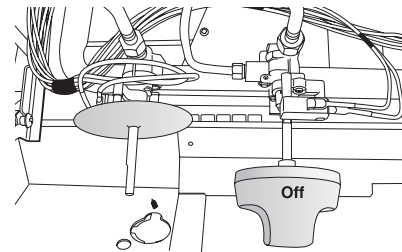
**NOTE:** Make sure to leave oven door open or the control console will not rest in the side brackets properly once it is detached.

5. Pull up on the control console and let it drop forward into the notched console brackets on each side.

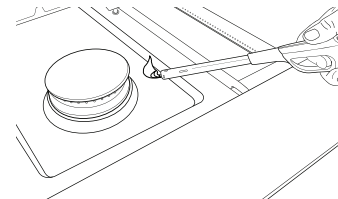


A. Control console bracket

6. Put a control knob onto the valve stem of the burner you want to adjust.

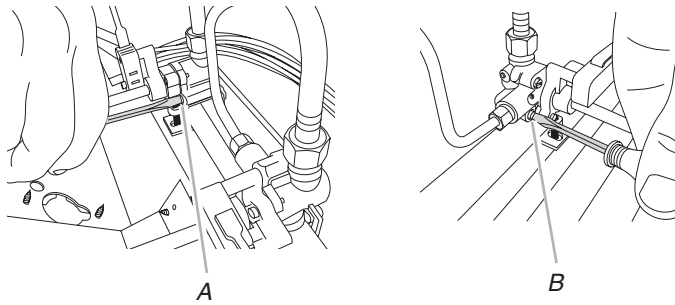


7. Turn the control knob to LO and, using a butane extension lighter, light the burner.



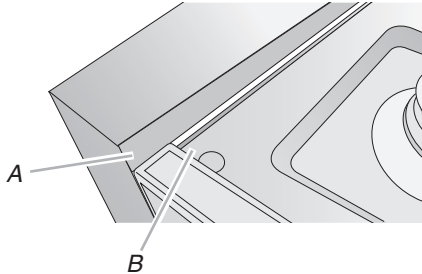
8. Remove the control knob.

- Use a 1/8" x 4 1/4" (3 mm x 100 mm) flat-blade screwdriver to adjust the flame height. Tighten screw to reduce flame height. Loosen screw to increase flame height.



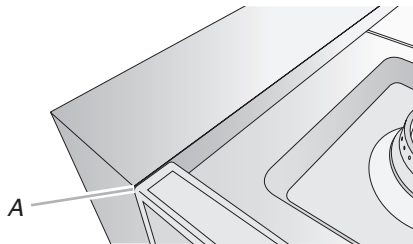
A. Single flame burner adjustment screw (on right side of valve)  
B. Dual flame burner adjustment screw (on left side of valve)

- When finished adjusting the flame height, put a control knob back onto the valve stem and turn off the burner.
- Remove the control knob.
- Repeat steps 6 through 13 for any other burners that need adjustment.
- Lift up on the control console and set it back into place. For a proper fit, the flange of the control console must hook over the lip on the front of the range cooktop.



A. Control console flange  
B. Front lip of range cooktop

- Check that the control console is flush with the top edge of the range.

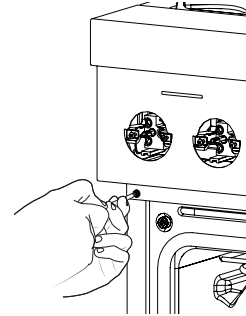


A. Flush with range top

- Replace the two screws on each side of the control console.
- Replace the control knobs.
- Replace burner grates.
- Test the flame by turning the control from LO to HI, checking the flame at each setting.

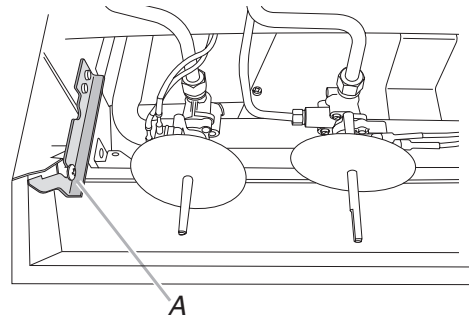
## To Convert IR Grill Burner for Natural Gas

- Unplug range or disconnect power.
- Remove grill knob and bezel. The other surface knobs and bezels should still be off the range.
- Open the oven door and remove the two screws on each side of the range that hold the control console in place.



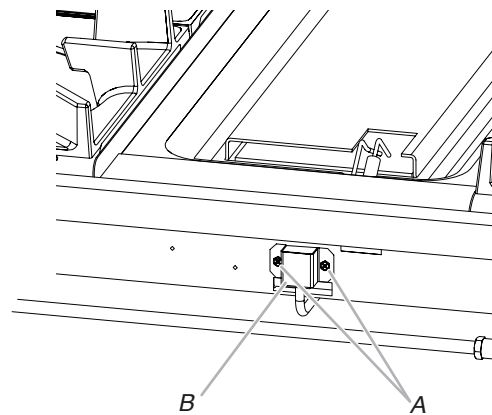
**NOTE:** Make sure to leave oven door open or the control console will not rest in the side brackets properly once it is detached.

- Pull up on the control console and let it drop forward into the notched console brackets on each side.



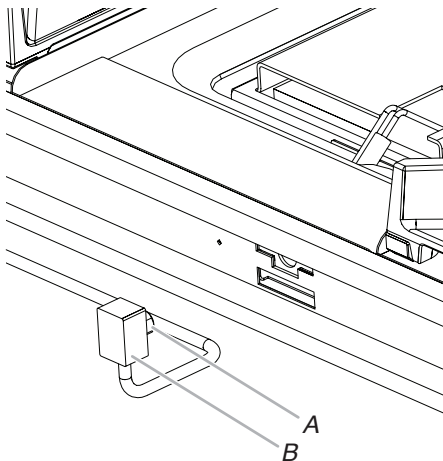
A. Control console bracket

- Remove the two screws holding the grill orifice holder bracket.



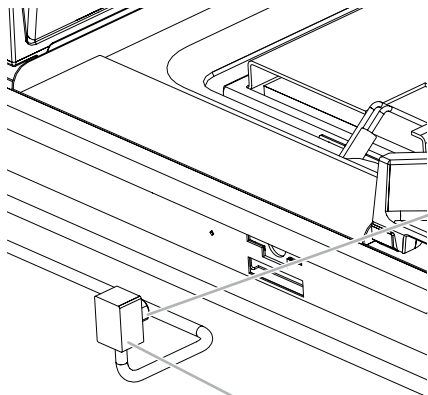
A. Screws  
B. Grill orifice holder bracket

- Pull the grill orifice holder out of the burner box far enough away to allow access to the orifice with a wrench, using caution not to kink the attached tubing.



A. Grill orifice  
B. Grill orifice holder

- Using an adjustable wrench and a 1/2" (1.3 cm) open end wrench remove the Propane (L) orifice spud and replace with the correct Natural Gas (NG) orifice spud. See Natural Gas Orifice Spud Chart.

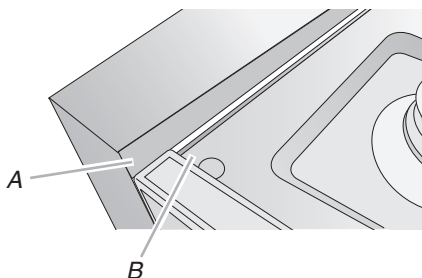


Use 1/2" (1.3 cm) open end wrench to remove/replace orifice

Hold with adjustable wrench here

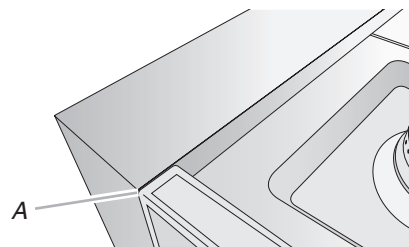
- Reposition the grill orifice holder assembly back into the burner box, and replace the grill orifice holder bracket and two holder screws.
- Lift up on the control console and set it back into place. For a proper fit, the flange of the control console must hook over the lip on the front of the range cooktop.

**NOTE:** It may be necessary to lift valve stems to align with console holes.



A. Control console flange  
B. Front lip of range cooktop

- Check that the control console is flush with the top edge of the range.

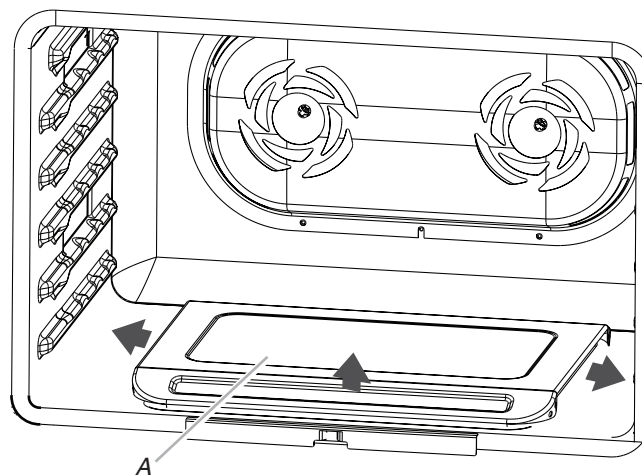


A. Flush with range top

- Replace the screws on each side of the control console.
- Replace the control knobs and bezels.
- Replace burner grates.

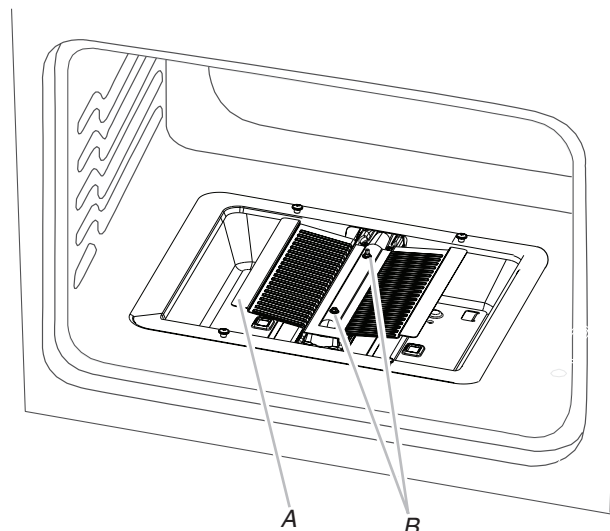
### Convert Oven Bake Burner (30" [76.2 cm] and 36" [91.4 cm] models and the right oven cavity on 48" [121.9 cm] models)

- Slide the bake burner cover to the right or left.



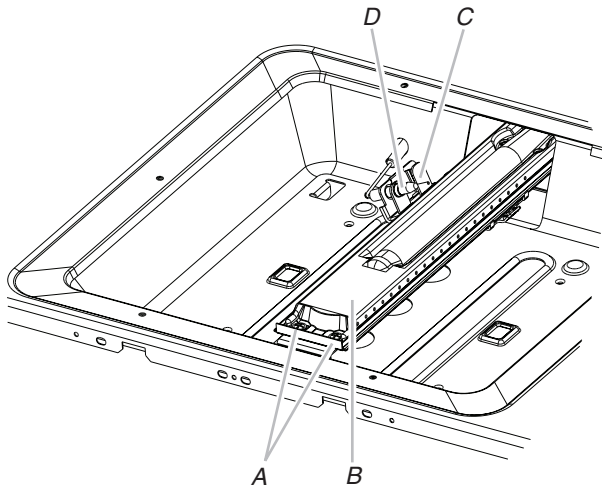
A. Bake burner cover

- Lift up and remove oven bake burner cover, and set aside.
- Using a 1/4" (6.4 mm) nut driver, unscrew oven baffle nuts and remove oven baffle. Set aside.



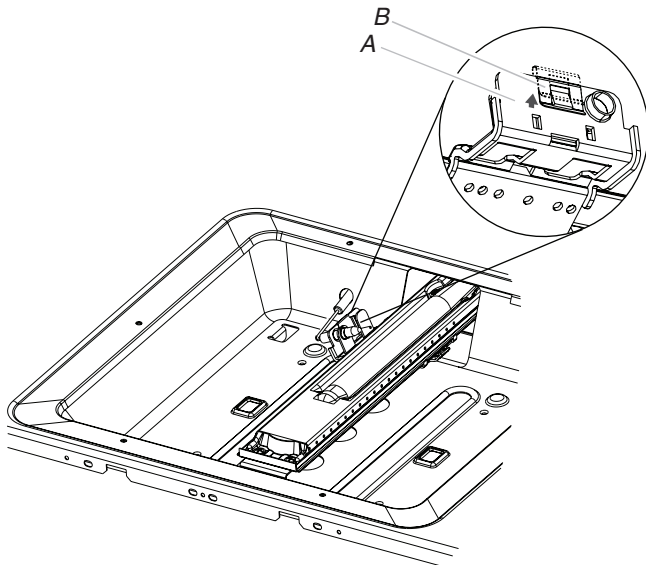
A. Oven baffle  
B. Oven baffle nuts

- Remove the oven bake burner screws and oven bake burner. Rotate burner 90° to the left, and gently lay on its side.



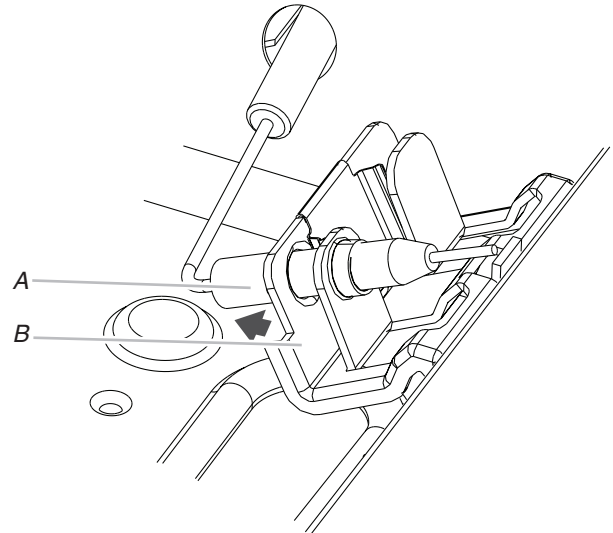
- A. Oven bake burner screws
- B. Oven bake burner
- C. Oven bake burner electrode bracket
- D. Oven bake burner electrode

- Lift up clip on the oven bake burner electrode bracket with a finger or flat-blade screwdriver, and pull away the electrode.



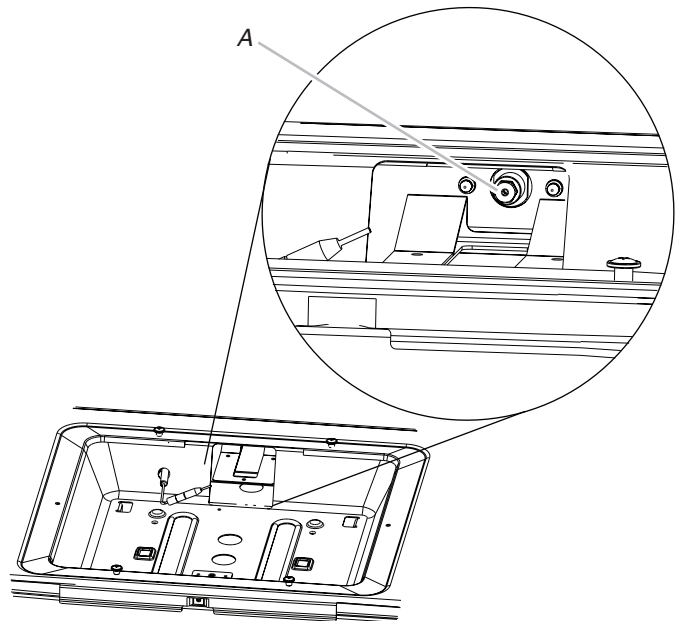
- A. Oven bake burner electrode bracket
- B. Electrode bracket clip

- Pull electrode out of bracket.



- A. Grasp electrode here.
- B. Bracket

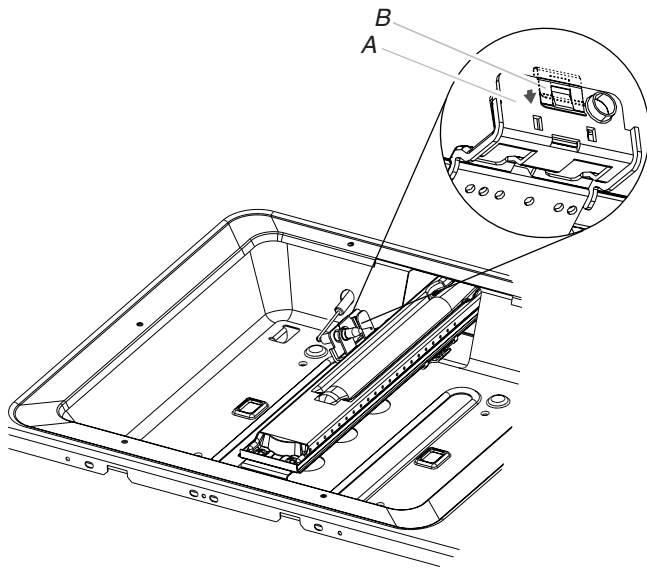
- Apply masking tape to the end of a 1/4" (6.4 mm) nut driver to help hold the gas orifice spud in the nut driver while changing it. Insert nut driver into the gas opening, and press down onto the gas orifice spud, then remove by turning the gas orifice spud counterclockwise and lifting out. Set gas orifice spud aside.



- A. Gas orifice spud

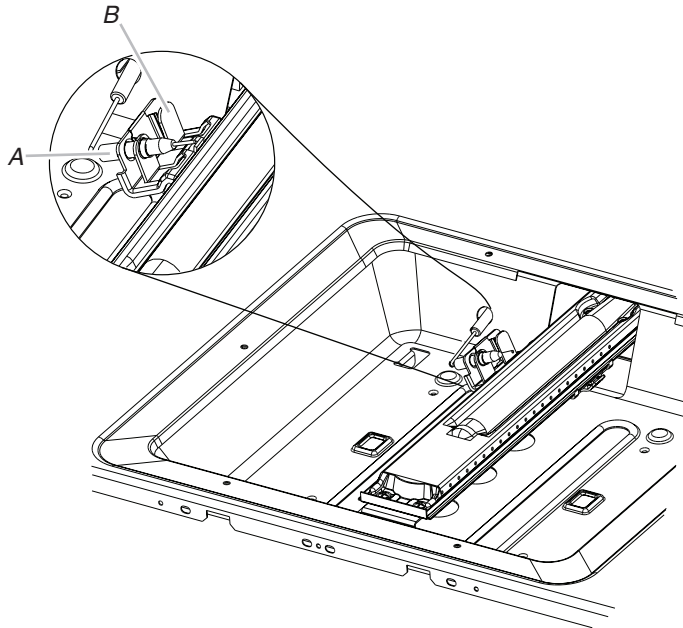
- Gas orifice studs are stamped with a letter and a number. Install the Number 189 oven bake burner orifice spud.
- Place Propane gas orifice in plastic parts bag for future use, and keep with package containing literature.

10. Push down on the clip on the electrode bracket.



A. Oven bake burner electrode bracket  
B. Electrode bracket clip

11. Replace oven bake burner electrode inside bracket.



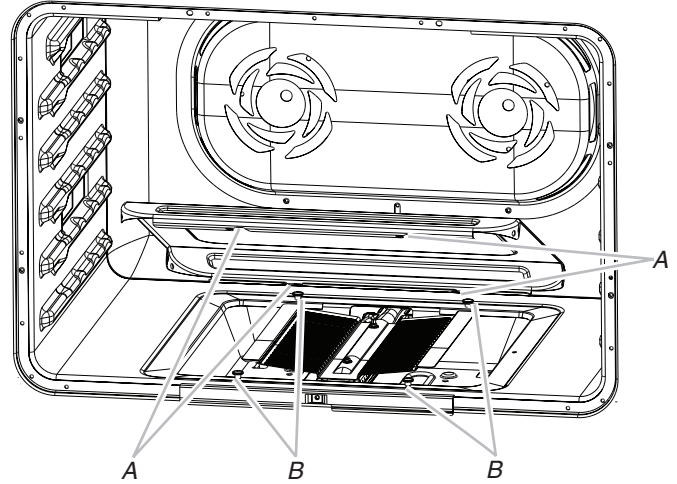
A. Oven bake burner electrode  
B. Oven bake burner electrode bracket

12. Reinstall the oven bake burner and oven bake burner screws. See Step 4 for illustration.

13. Replace oven baffle and oven baffle nuts. The front holes will be aligned, and a click will sound when baffle is seated.

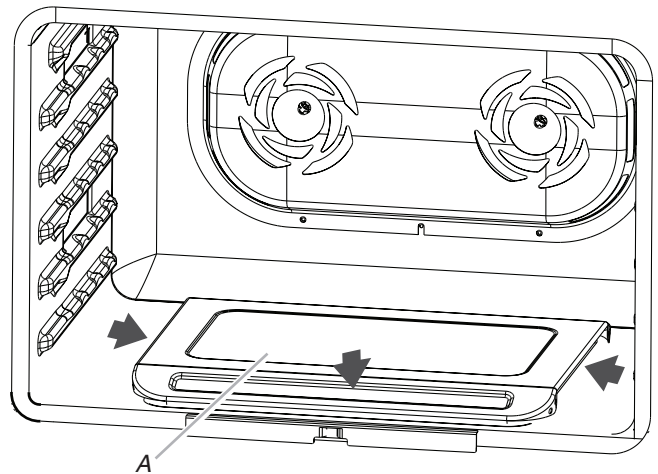
## Replace Oven Bake Burner Cover

1. Align notches on the oven bake burner cover with shoulder screws in the bottom of the oven.



A. Cover notches (4)  
B. Shoulder screws (4)

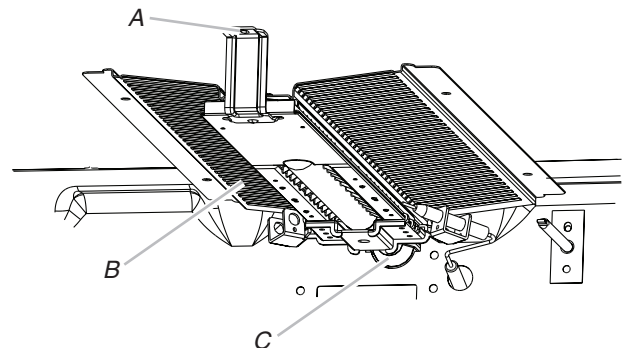
2. Lower cover, and slide to left or right to slide shoulder screws into the narrow ends of the notches, then lock into place.



A. Bake burner cover

## Convert Oven Broil Burner (30" [76.2 cm] and 36" [91.4 cm] models and the right oven cavity on 48" [121.9 cm] models)

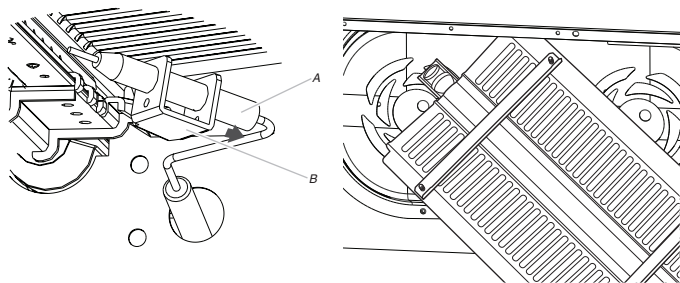
1. Using a 1/4" (6.4 mm) nut driver, remove broil burner screw. Set aside with side igniter positioned on the right.



A. Broil burner screw  
B. Broil burner  
C. Broil burner orifice hole



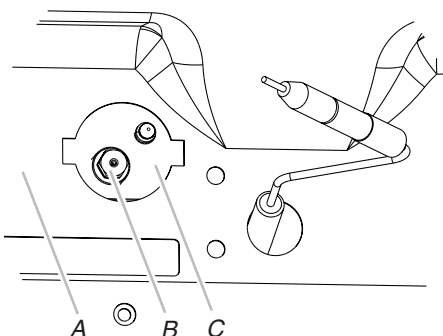
2. Pull the broil burner toward you until it slides out of the hole in the oven back, and pull the electrode out of the bracket. The broil burner will hang down in the back of the oven while you change the orifice.



A. Grasp electrode here.  
B. Bracket

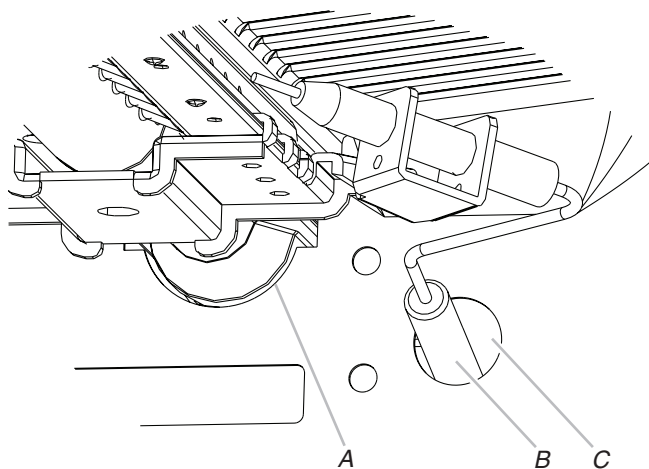
Broil burner hanging  
in back of oven

3. Apply masking tape to the end of a 1/4" (6.4 mm) nut driver to help hold the gas orifice spud in the nut driver while changing it. Insert nut driver into the gas opening, and press down onto the gas orifice spud, then remove by turning the gas orifice spud counterclockwise and lifting out. Set gas orifice spud aside.



A. Oven back  
B. Broil burner orifice  
C. Broil burner orifice hole

4. Gas orifice studs are stamped with a letter and a number. Install the Number 148 oven broil burner orifice spud.
5. Place Propane gas orifice in plastic parts bag for future use, and keep with package containing literature.
6. Replace the broil burner in the hole in the oven back with the broil burner assembly inside the broil burner electrode hole as illustrated.

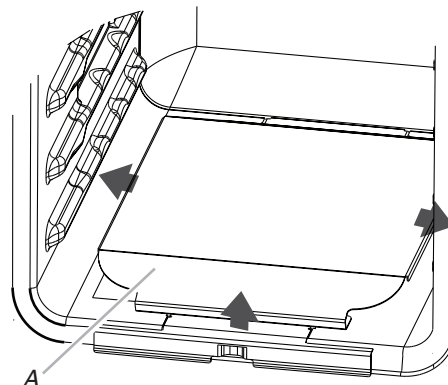


A. Broil burner orifice hole  
B. Broil burner electrode  
C. Broil burner electrode hole

7. Reinstall the oven broil burner screw. See Step 1 for illustration. The screw is aligned with the hole when a click sounds.

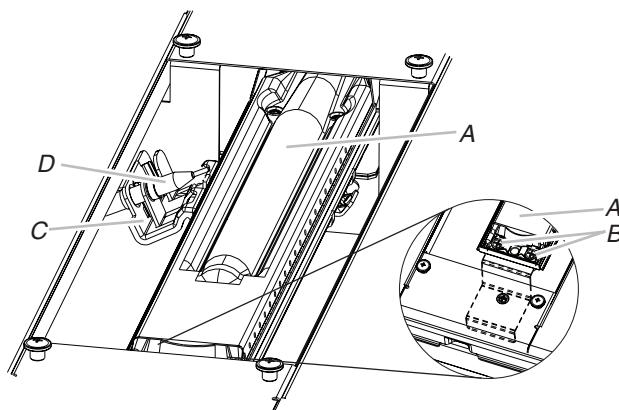
### Convert Oven Bake Burner (left oven cavity on 48" [121.9 cm] models)

1. Remove oven racks. See the "Remove Racks" section.
2. Remove the oven door. See the "Remove Oven Door" section.
3. Slide the bake burner cover to the right or left.



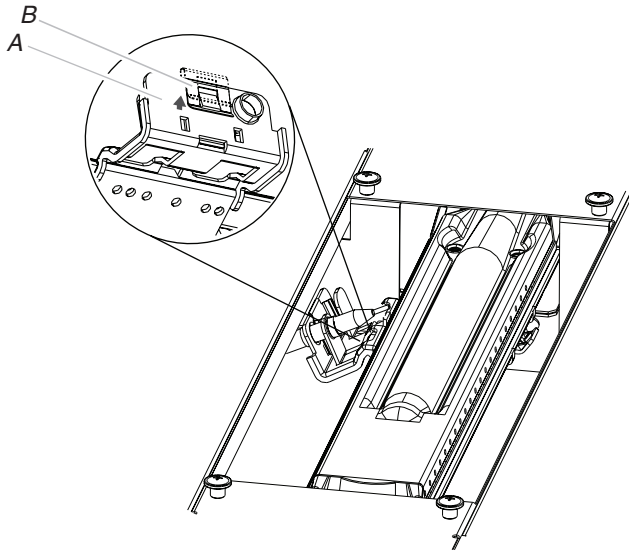
A. Bake burner cover

4. Lift up and remove oven bake burner cover, and set aside.
5. Remove the oven bake burner screws and oven bake burner, and gently set aside.



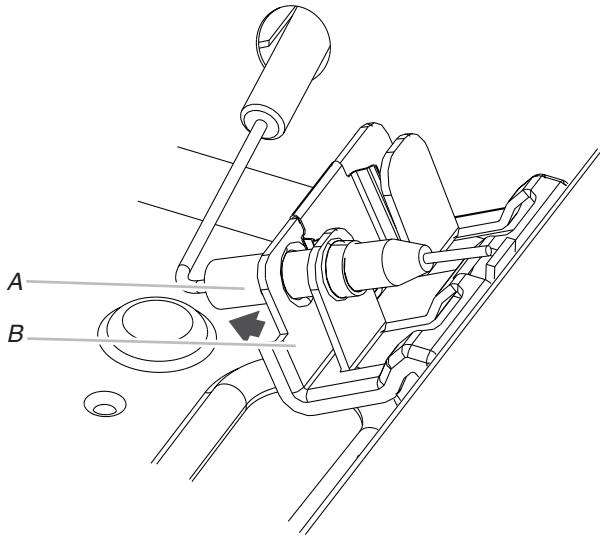
A. Oven bake burner  
B. Oven bake burner screws  
C. Oven bake burner electrode bracket  
D. Oven bake burner electrode

- Lift clip up on the oven bake burner electrode bracket with a finger or flat-blade screwdriver.



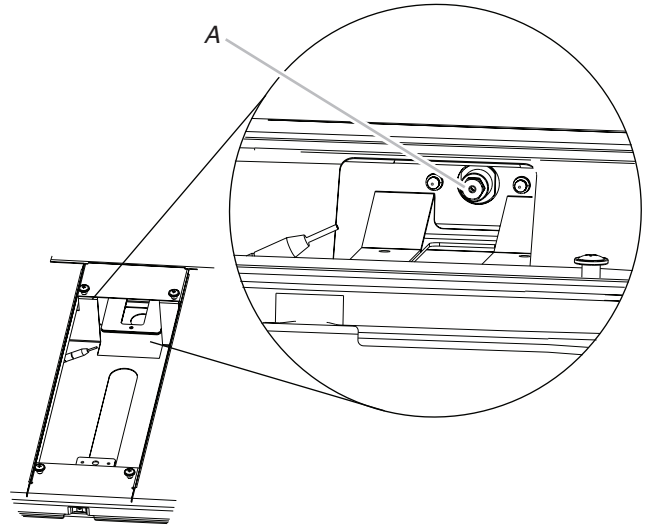
A. Oven bake burner electrode bracket  
B. Electrode bracket clip

- Pull electrode out of bracket.



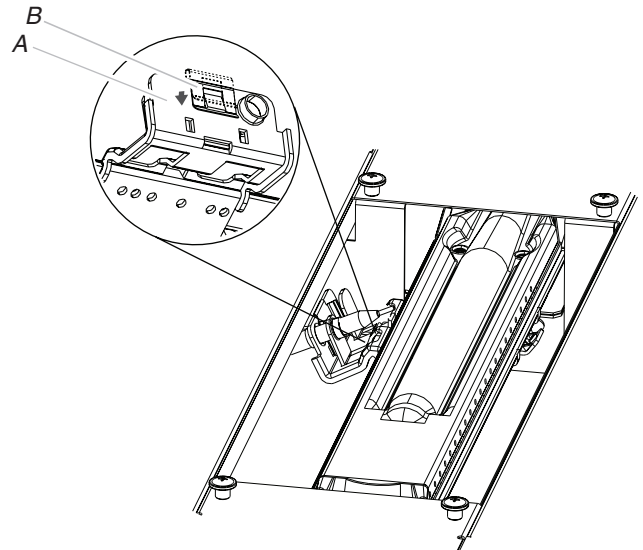
A. Grasp electrode here.  
B. Bracket

- Apply masking tape to the end of a 1/4" (6.4 mm) nut driver to help hold the gas orifice spud in the nut driver while changing it. Insert nut driver into the gas opening, and press down onto the gas orifice spud, then remove by turning the gas orifice spud counterclockwise and lifting out. Set gas orifice spud aside.



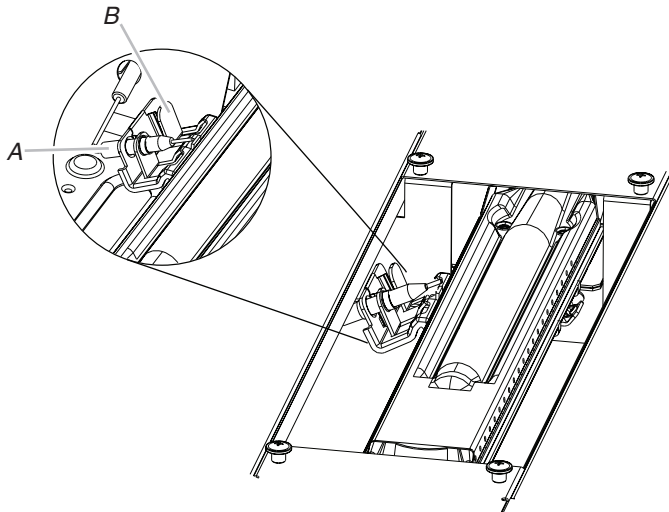
A. Gas orifice spud

- Gas orifice studs are stamped with a letter and a number. Install the Number 154 oven bake burner orifice spud.
- Place Propane gas orifice in plastic parts bag for future use, and keep with package containing literature.
- Push down on the clip on the electrode bracket.



A. Oven bake burner electrode bracket  
B. Electrode bracket clip

12. Replace oven bake burner electrode inside bracket.

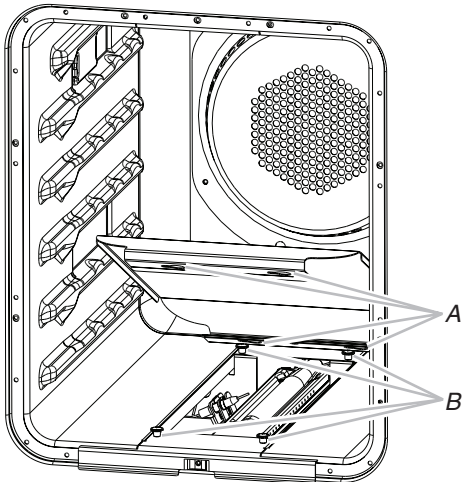


A. Oven bake burner electrode  
B. Oven bake burner electrode bracket

13. Reinstall the oven bake burner and oven bake burner screws. See Step 5 for illustration.

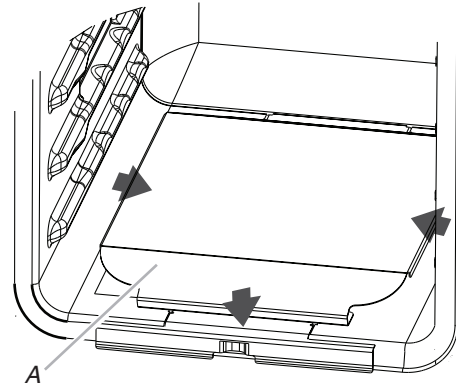
### Replace Oven Bake Burner Cover

1. Align rear shoulder screw mounting holes (keyholes) on the oven bake burner cover with shoulder screws in the bottom of the oven.



A. Shoulder screw mounting holes (keyholes)  
B. Shoulder screws

2. Drop cover and slide to left or right to slide shoulder screws into narrow ends of keyholes, and lock into place.



A. Bake burner cover

### Complete Installation

1. Refer to the “Make Gas Connection” section for properly connecting the range to the gas supply.
2. Refer to the “Electronic Ignition System” section for proper burner ignition, operation, and burner flame adjustments.

**IMPORTANT:** You may have to adjust the “LO” setting for each range burner.

Checking for proper range burner flame is very important. The small inner cone should have a very distinct blue flame 1/4" (6.4 mm) to 1/2" (1.3 cm) long. The outer cone is not as distinct as the inner cone. Propane gas flames have a slightly yellow tip.

3. Refer to “Complete Installation” in the “Installation Instructions” section of this manual to complete this procedure.

---

## Notes

# SÉCURITÉ DE LA CUISINIÈRE

## **Votre sécurité et celle des autres est très importante.**

Nous donnons de nombreux messages de sécurité importants dans ce manuel et sur votre appareil ménager. Assurez-vous de toujours lire tous les messages de sécurité et de vous y conformer.



Voici le symbole d'alerte de sécurité.

Ce symbole d'alerte de sécurité vous signale les dangers potentiels de décès et de blessures graves à vous et à d'autres.

Tous les messages de sécurité suivront le symbole d'alerte de sécurité et le mot "DANGER" ou "AVERTISSEMENT". Ces mots signifient :

**⚠ DANGER**

**Risque possible de décès ou de blessure grave si vous ne suivez pas immédiatement les instructions.**

**⚠ AVERTISSEMENT**

**Risque possible de décès ou de blessure grave si vous ne suivez pas les instructions.**

Tous les messages de sécurité vous diront quel est le danger potentiel et vous disent comment réduire le risque de blessure et ce qui peut se produire en cas de non-respect des instructions.

**AVERTISSEMENT : Si les renseignements dans ces instructions ne sont pas exactement observés, un incendie ou une explosion peut survenir, causant des dommages au produit, des blessures ou un décès.**

- **Ne pas entreposer ni utiliser de l'essence ou d'autres vapeurs ou liquides inflammables à proximité de cet appareil ou de tout autre appareil électroménager.**
- **QUE FAIRE DANS LE CAS D'UNE ODEUR DE GAZ :**
  - **Ne pas tenter d'allumer un appareil.**
  - **Ne pas toucher à un commutateur électrique.**
  - **Ne pas utiliser le téléphone se trouvant sur les lieux.**
  - **Appeler immédiatement le fournisseur de gaz à partir du téléphone d'un voisin. Suivre ses instructions.**
  - **À défaut de joindre votre fournisseur de gaz, appeler les pompiers.**
- **L'installation et l'entretien doivent être effectués par un installateur qualifié, une agence de service ou le fournisseur de gaz.**

**AVERTISSEMENT :** L'odorat ne permet pas toujours la détection d'une fuite de gaz.

Les distributeurs de gaz recommandent l'emploi d'un détecteur de gaz (homologation UL ou CSA).

Pour d'autres informations, contacter le fournisseur de gaz local.

En cas de détection d'une fuite de gaz, exécuter les instructions "Que faire dans le cas d'une odeur de gaz".

**IMPORTANT :** Ne pas installer un système de ventilation avec évacuation de l'air vers le bas, qui évacuerait l'air vers cet appareil de cuisson à gaz. Ce type de système de ventilation peut causer des problèmes d'allumage et de combustion avec cet appareil de cuisson à gaz et entraîner des blessures corporelles ou le fonctionnement non désiré de cet appareil.

Dans l'État du Massachusetts, les instructions d'installation suivantes sont applicables :

- Les travaux d'installation et réparation doivent être exécutés par un plombier ou tuyauteur qualifié ou licencié, ou par le personnel qualifié d'une entreprise licenciée par l'État du Massachusetts.
- Remplacer par des dispositifs de fermeture acceptables : Les robinets de gaz et robinets à bille installés pour l'utilisation devraient être indiqués.
- Si un conduit de raccordement flexible est utilisé, sa longueur ne doit pas dépasser 4 pi (121,9 cm).

## **⚠ AVERTISSEMENT**

### **Risque de basculement**

**Un enfant ou une personne adulte peut faire basculer la cuisinière, ce qui peut causer un décès.**

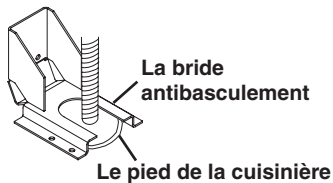
**Fixer la bride antibasculement au plancher ou au mur, conformément aux instructions d'installation.**

**Faire glisser de nouveau la cuisinière de façon à ce que le pied arrière de la cuisinière se trouve dans la fente de la bride antibasculement.**

**Réengager la bride antibasculement si la cuisinière a été déplacée.**

**Ne pas faire fonctionner la cuisinière si la bride antibasculement n'est pas installée et engagée.**

**Le non-respect de ces instructions peut causer un décès ou des brûlures graves aux enfants et aux adultes.**



**Pour vérifier que la bride antibasculement est bien installée et engagée:**

- **Faire glisser la cuisinière vers l'avant.**
- **Vérifier que la bride antibasculement est bien fixée au plancher ou au mur.**
- **Faire de nouveau glisser la cuisinière vers l'arrière de sorte que le pied de la cuisinière se trouve sous la bride antibasculement.**
- **Voir les instructions d'installation pour plus de détails.**

# EXIGENCES D'INSTALLATION

## Outils et pièces

Rassembler les outils et pièces nécessaires avant d'entreprendre l'installation. Lire et observer les instructions fournies avec chacun des outils de la liste ci-dessous.

### Outils nécessaires



Clé à tuyauterie



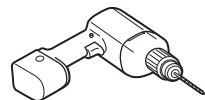
Clé à molette ou clé de 5/8 po (16 mm)



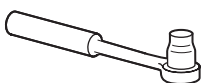
Tournevis à tête plate de 1/8 po x 4 1/4 po (3 mm x 100 mm)



Tournevis cruciforme no 2



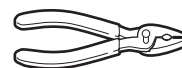
Perceuse



Clé à cliquet de 3/8 po (9,5 mm)



Clé mixte de 15/16 po (24 mm)



Pince



Niveau



Coupe-tube



Tourne-écrou de 1/4 po (6,4 mm), 3/8 po (9,5 mm) et 5/16 po (7,9 mm)



Marqueur ou crayon



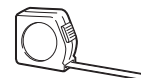
Foret de maçonnerie à pointe carburée de 3/16 po (4,8 mm)



Composé d'étanchéité des raccords filetés résistant au gaz propane



Solution non corrosive de détection des fuites



Ruban à mesurer



Foret de 1/8 po (3,2 mm)

### Pour les conversions gaz propane/naturel



Grand tournevis à lame plate



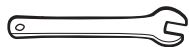
Clé à molette



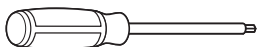
Tournevis Torx® T20†



Ruban adhésif de masquage



Clé ouverte de 1/2 po (1,3 cm)



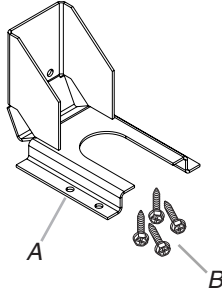
Tournevis carré no 1

†® TORX et T20 sont des marques déposées de Acument Intellectual Properties, LLC.

## Pièces fournies

Vérifier que toutes les pièces sont présentes.

- Trousse de bride antibasculement



A. Bride antibasculement

B. (4) vis à tête cruciforme no 8-18 x 1 po (2,5 cm)

**REMARQUE :** La bride antibasculement doit être solidement fixée au sous-plancher. La profondeur du plancher peut nécessiter des vis plus longues pour l'ancrage de la bride dans le sous-plancher. Des vis plus longues sont offertes chez votre quincaillerie locale. Voir la section "Installation de la bride antibasculement".

- Grilles de brûleur
- Chapeaux de brûleur
- Plateau d'égouttement de la plaque à frire (sur modèles avec plaque à frire)

## Pièces nécessaires

- Tous les modèles doivent être installés avec un dossieret si l'installation se fait sans dégagement entre l'appareil et une paroi arrière combustible comme un mur en gypse. Une installation sans dégagement est permise si la totalité de la surface de la paroi au-dessus et au-dessous de la hotte est couverte d'un matériau non combustible, comme des carreaux de céramique ou de l'acier inoxydable. Voir "Dimensions de l'armoire" à la section "Exigences d'emplacement" pour les spécifications concernant l'installation.

Vérifier les codes locaux et consulter le fournisseur de gaz. Vérifier l'alimentation en gaz et l'alimentation électrique existantes. Voir les sections "Spécifications électriques" et "Spécifications de l'alimentation en gaz".

Il est recommandé de faire réaliser tous les raccordements électriques par un électricien qualifié agréé.

---

## Conversion pour utilisation en haute altitude

---

Modifier l'orifice de la cuisinière/table de cuisson n'est pas nécessaire pour un bon fonctionnement. L'intensité faible du brûleur peut avoir besoin d'être réglée de nouveau pour obtenir de bons résultats.

Consulter la section "Effectuer les réglages d'intensité faible du brûleur de surface au propane principal et de mijotage" (page 53) pour l'utilisation du gaz propane.

Consulter la section "Effectuer les réglages d'intensité faible du brûleur de surface au gaz naturel principal et de mijotage" (page 63) pour l'utilisation du gaz naturel.



## Exigences d'emplacement

**IMPORTANT :** Observer les dispositions de tous les codes et règlements en vigueur. Ne pas obstruer le flux de combustion et de ventilation.

- C'est à l'installateur qu'incombe la responsabilité de respecter les distances de séparation spécifiées sur la plaque signalétique. La plaque signalétique se trouve sous la console, du côté droit.
- Il est recommandé qu'une hotte de cuisinière de 585 CFM (993,9 m<sup>3</sup>/h) ou plus soit installée au-dessus de la cuisinière.
- Suivre les instructions d'installation de la hotte de cuisinière ou de l'ensemble hotte/micro-ondes pour les dimensions de dégagement à respecter au-dessus de la surface de la table de cuisson.
- Dans le cas d'une cuisinière encastrée, l'enceinte doit recouvrir complètement les côtés et l'arrière de la cuisinière.
- Toutes les ouvertures dans le mur ou le plancher de l'emplacement d'installation de la cuisinière doivent être scellées.
- Ne pas réaliser de scellement entre la cuisinière et les armoires latérales.
- Respecter les dimensions indiquées pour les ouvertures à découper dans les meubles. Ces dimensions constituent les valeurs minimums des dégagements.
- La bride antibasculement doit être installée. Pour l'installation de la bride antibasculement fournie avec la cuisinière, voir la section "Installation de la bride antibasculement".
- Une source d'électricité avec liaison à la terre est nécessaire. Voir la section "Spécifications électriques".
- Un raccordement adéquat à l'alimentation en gaz doit être disponible. Voir la section "Spécifications de l'alimentation en gaz".
- Contacter un installateur de revêtement de sol qualifié, qui pourra déterminer si le revêtement de sol peut résister à une température d'au moins 200 °F (93 °C). Dans le cas de l'installation de la cuisinière par dessus un tapis, placer sous la cuisinière une plaque d'appui isolée, ou une plaque de contreplaqué de 1/4 po (6,4 mm).

**IMPORTANT :** Pour éviter d'endommager les armoires, consulter le constructeur de la maison ou le fabricant des armoires pour déterminer si les matériaux utilisés peuvent subir un changement de couleur, une déstratification ou d'autres dommages. Ce four a été conçu conformément aux exigences des normes UL et CSA International et respecte les températures maximums permises de 194 °F (90 °C) pour les armoires en bois.

### Résidence mobile – Spécifications additionnelles à respecter lors de l'installation

L'installation de cette cuisinière doit s'effectuer conformément à la norme Manufactured Home Construction Safety Standards, Title 24 CFR, Part 3280 (anciennement Federal Standard for Mobile Home Construction and Safety, title 24, HUD, Part 280). Lorsque cette norme n'est pas applicable, utiliser la norme Standard for Manufactured Home Installations, ANSI A225.1/NFPA 501A ou les dispositions des codes locaux.

Au Canada, l'installation de cette cuisinière doit respecter la plus récente version des normes CAN/CSA-A240 ou les dispositions des codes locaux.

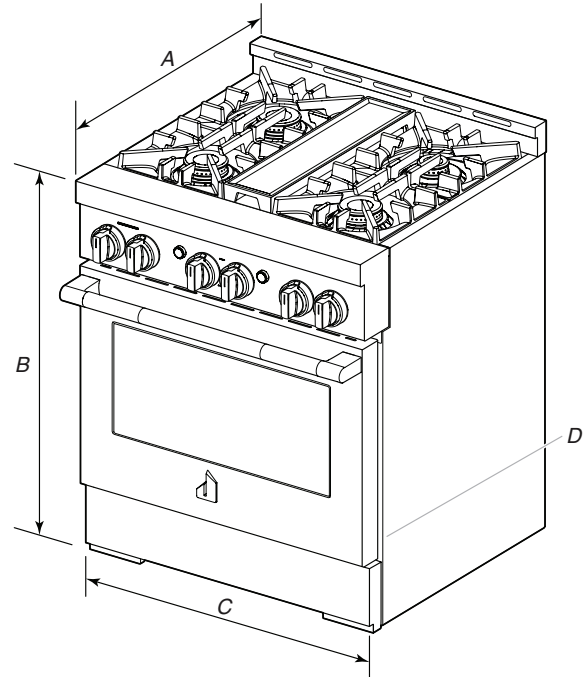
### Autres critères à respecter pour une installation en résidence mobile :

- Dans le cas de l'installation de cette cuisinière dans une résidence mobile, la cuisinière doit être fixée au plancher durant tout déplacement du véhicule. Toute méthode de fixation de la cuisinière est adéquate dans la mesure où elle satisfait aux critères des normes mentionnées ci-dessus.

## Dimensions du produit

**REMARQUE :** Les caractéristiques de la table de cuisson peuvent varier.

### Modèles de 30 po (76,2 cm)



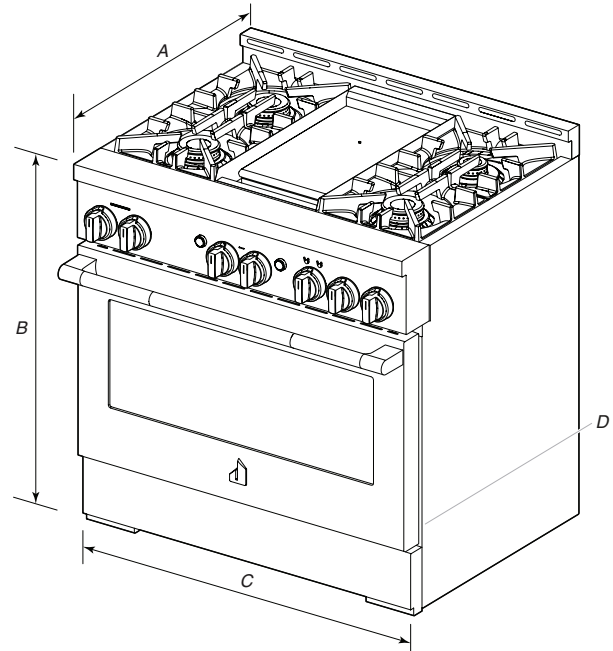
A. Profondeur avec le tableau de commande : 27 <sup>3</sup>/<sub>4</sub> po (70,5 cm) (voir REMARQUE)

B. Hauteur de la cuisinière lorsqu'elle est appuyée sur les roulettes : 35 <sup>3</sup>/<sub>4</sub> po (90,8 cm)

C. Largeur : 29 <sup>7</sup>/<sub>8</sub> po (75,7 cm)

D. Emplacement du no de modèle, du no de série, de la plaque signalétique, de l'étiquette SAID

### Modèles de 36 po (91,4 cm)



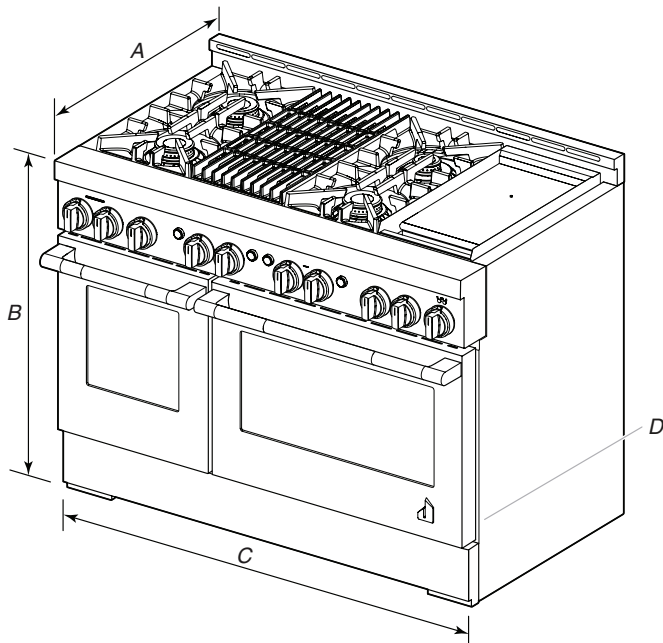
A. Profondeur avec le tableau de commande : 27 <sup>1</sup>/<sub>8</sub> po (68,9 cm) (voir REMARQUE)

B. Hauteur de la cuisinière lorsqu'elle est appuyée sur les roulettes : 35 <sup>3</sup>/<sub>4</sub> po (90,8 cm)

C. Largeur : 36 po (91,4 cm)

D. Emplacement du no de modèle, du no de série, de la plaque signalétique, de l'étiquette SAID

## Modèles de 48 po (121,9 cm)



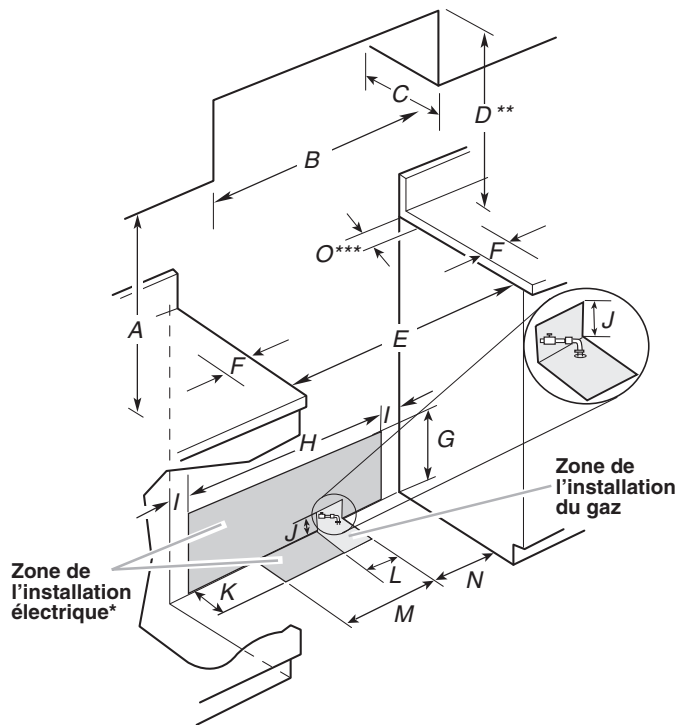
- A. Profondeur avec le tableau de commande : 27 1/8 po (68,9 cm) (voir REMARQUE)
- B. Hauteur de la cuisinière lorsqu'elle est appuyée sur les roulettes : 35 3/4 po (90,8 cm)
- C. Largeur : 48 po (121,9 cm)
- D. Emplacement du no de modèle, du no de série, de la plaque signalétique, de l'étiquette SAID

**REMARQUE :** Dans le cas d'une installation entre des armoires de 24 po (61,0 cm) avec plan de travail de 25 po (63,5 cm), l'avant de la porte du four sera en saillie de 1 7/8 po (4,8 cm) au-delà de la façade des armoires de 24 po (61,0 cm).

### Spécifications de l'armoire

Les dimensions de l'espace entre les armoires correspondent à une installation entre des armoires de 24 po (61,0 cm) de profondeur, avec plan de travail de 25 po (64,0 cm) de profondeur et de 36 po (91,4 cm) de hauteur. Les dimensions doivent être respectées pour que les éléments soient en affleurement avec la paroi arrière.

**IMPORTANT :** Si une hotte, une caisse de hotte ou un ensemble hotte/four à micro-ondes est installé au-dessus de la surface de cuisson, suivre les instructions d'installation de la hotte ou de l'ensemble hotte/four à micro-ondes pour obtenir les dimensions de dégagement à conserver au-dessus de la surface de cuisson.



- A. Espace entre l'armoire supérieure et le comptoir : 18 po (45,7 cm)
- B. Modèle de 30 po (76,2 cm) : Largeur minimale de l'armoire supérieure de 30 po (76,2 cm)  
Modèle de 36 po (91,4 cm) : Largeur minimale de l'armoire supérieure de 36 po (91,4 cm)  
Modèle de 48 po (121,9 cm) : Largeur minimale de l'armoire supérieure de 48 po (121,9 cm)
- C. Profondeur maximale des armoires supérieures de 13 po (33 cm)
- D. Pour la distance libre minimale vers la partie supérieure de la cuisinière.\*\*
- E. 30 po (76,2 cm) sur les modèles de 30 po (76,2 cm); 36 po (91,4 cm) sur les modèles de 36 po (91,4 cm); 48 po (121,9 cm) sur les modèles de 48 po (121,9 cm)
- F. Dégagement minimal de 12 po (30,4 cm) entre l'un ou l'autre côté de la cuisinière et la paroi latérale ou d'autres matériaux combustibles
- G. 15 po (38,1 cm)
- H. 22 po (55,9 cm) sur les modèles de 30 po (76,2 cm); 28 po (71,1 cm) sur les modèles de 36 po (91,4 cm); 40 po (101,6 cm) sur les modèles de 48 po (121,9 cm)
- I. 4 po (10,1 cm)
- J. 3 po (7,6 cm)
- K. 5 po (12,7 cm)
- L. 6 po (15,2 cm) sur les modèles de 30 po (76,2 cm); 12 po (30,5 cm) sur les modèles de 36 po (91,4 cm); 24 po (61,0 cm) sur les modèles de 48 po (121,9 cm)
- M. 10 1/2 po (26,7 cm)
- N. 9 po (22,9 cm)
- O. 6 po (15,2 cm)\*\*\*

#### \*\* Si aucune ventilation n'est utilisée, Dégagements minimums

**Modèles de 30 po (76,2 cm) :** Distance de séparation minimale de 42 po (106,7 cm) ou plus entre le dessus de la table de cuisson et le dessous d'une surface combustible

**Modèles de 36 po (91,4 cm) :** Distance de séparation minimale de 58 po (147,3 cm) ou plus entre le dessus de la table de cuisson et le dessous d'une surface combustible

**Modèles de 48 po (121,9 cm) :** Distance de séparation minimale de 58 po (147,3 cm) ou plus entre le dessus de la table de cuisson et le dessous d'une surface combustible

\*\*\*Si la surface de la paroi arrière est fabriquée d'un matériau combustible et qu'aucun dossier n'est installé, un dégagement minimal de 6 po (15,2 cm) est nécessaire pour tous les modèles.

## Spécifications électriques

### **AVERTISSEMENT**



#### Risque de choc électrique

**Relier la cuisinière à la terre.**

**Le non-respect de cette instruction peut causer un décès, un incendie ou un choc électrique.**

**IMPORTANT :** La cuisinière doit être reliée à la terre en conformité avec les codes et règlements locaux en vigueur, ou en l'absence de codes locaux, avec le National Electrical Code, ANSI/NFPA 70 ou le Code canadien des installations électriques, CSA C22.1.

Si les codes le permettent et si on utilise un conducteur distinct de liaison à la terre, il est recommandé qu'un électricien qualifié vérifie la qualité de la liaison à la terre.

On peut obtenir un exemplaire de la norme ci-dessus auprès de :

National Fire Protection Association  
1 Batterymarch Park  
Quincy, MA 02169-7471

CSA International  
8501 East Pleasant Valley Road  
Cleveland, Ohio 44131-5575

- L'appareil doit être alimenté par un circuit de 120 V, CA seulement, 60 Hz, 15 ampères, protégé par fusible. On recommande également d'utiliser un fusible ou un disjoncteur temporisé. Il est recommandé de raccorder la cuisinière sur un circuit distinct exclusif à cet appareil.
- Les systèmes d'allumage électronique fonctionnent avec des limites de tension étendues, mais une liaison à la terre correcte et une polarité appropriée sont nécessaires. Vérifier que la prise fournit une alimentation de 120 V et qu'elle est correctement reliée à la terre.
- Le schéma de câblage se trouve dans un sac de plastique transparent placé derrière le garde-pieds.

## Spécifications de l'alimentation en gaz

### **AVERTISSEMENT**



#### Risque d'explosion

**Utiliser une canalisation neuve d'arrivée de gaz approuvée par la CSA International.**

**Installer un robinet d'arrêt.**

**Bien serrer chaque organe de connexion de la canalisation de gaz.**

**En cas de connexion au gaz propane, demander à une personne qualifiée de s'assurer que la pression de gaz ne dépasse pas 36 cm (14 po) de la colonne d'eau.**

**Par personne qualifiée, on comprend :**

**le personnel autorisé de chauffage,  
le personnel autorisé d'une compagnie de gaz, et  
le personnel d'entretien autorisé.**

**Le non-respect de ces instructions peut causer un décès, une explosion ou un incendie.**

Observer les dispositions de tous les codes et règlements en vigueur.

**IMPORTANT :** Cette installation doit être effectuée conformément avec les codes et règlements locaux. En l'absence de codes locaux, l'installation doit être effectuée en conformité avec l'édition la plus récente du American National Standard, National Fuel Gas Code ANSI Z223.1 ou l'édition la plus récente du CAN/CGA B149.

**IMPORTANT :** La cuisinière doit être raccordée à une source d'alimentation en gaz régulée.

**IMPORTANT :** Les tests de fuite de la cuisinière doivent être effectués selon les instructions du fabricant.

### Type de gaz

#### Gaz naturel :

Cette cuisinière a été configurée à l'usine pour l'alimentation au gaz naturel. La plaque signalétique située sous la console, du côté droit, contient des informations sur les types de gaz utilisables. Si la liste des gaz ne comprend pas le type de gaz offert, vérifier auprès du fournisseur de gaz local.

#### Conversion pour l'alimentation au propane :

L'opération de conversion doit être exécutée par un technicien de réparation qualifié.

Ne pas entreprendre de convertir la cuisinière pour une utilisation avec un gaz différent de celui indiqué sur la plaque signalétique sans d'abord consulter le fournisseur de gaz. Pour la conversion au gaz propane, utiliser la trousse de conversion au gaz propane fournie avec la cuisinière et voir la section "Conversions pour changement de gaz". Les pièces pour cette trousse se trouvent dans le sachet contenant la documentation fournie avec la cuisinière.

## Canalisation d'alimentation en gaz

- Installer une canalisation de gaz rigide de 3/4 po (1,9 cm) jusqu'à l'emplacement d'installation de la cuisinière. L'emploi d'une canalisation de diamètre inférieur sur un circuit plus long peut causer une insuffisance du débit d'alimentation en gaz. Pour l'alimentation au propane, le diamètre des canalisations ou tuyaux doit être de 1/2 po (1,3 cm) minimum. En général, le fournisseur de gaz propane détermine les matériaux à utiliser et le diamètre approprié.

**REMARQUE :** On doit utiliser un composé d'étanchéité pour tuyauteries résistant à l'action du gaz propane. Ne pas utiliser de ruban TEFLON<sup>†</sup>.

### Raccord métallique flexible :

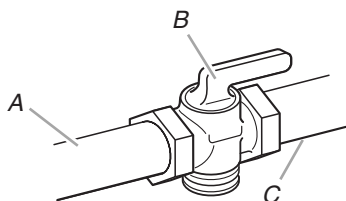
- Si le code local le permet, on peut utiliser un raccord métallique flexible neuf (homologation CSA) de 4 à 5 pi (122 à 152 cm) de longueur, diamètre interne 5/8 po (1,6 cm) ou 3/4 po (1,9 cm), pour raccorder la cuisinière à la canalisation de gaz.



- Un raccord de tuyauterie mâle de 1/2 po (1,3 cm) est nécessaire pour la connexion sur le raccord à filetage femelle à l'entrée du détendeur de l'appareil.
- Ne pas plier ou endommager le tuyau de métal flexible lors du déplacement de la cuisinière.

**IMPORTANT :** Tous les raccords doivent être bien serrés à l'aide d'une clé. Ne pas serrer excessivement la connexion sur le détendeur. Un serrage excessif pourrait provoquer une fissuration du détendeur et une fuite de gaz. Lors du serrage des raccords, empêcher le détendeur de tourner ou de bouger.

- Robinet d'arrêt manuel nécessaire : Procéder à l'installation d'une vanne de fermeture manuelle pour la conduite de gaz dans un endroit facile d'accès. Ne pas entraver l'accès au robinet d'arrêt manuel. Le robinet permet d'ouvrir ou de fermer l'alimentation en gaz de la cuisinière.



A. Canalisation de gaz  
B. Robinet d'arrêt en position ouverte  
C. Vers la cuisinière

## Détendeur

Le détendeur fourni avec cette cuisinière doit être utilisé. La pression d'alimentation du détendeur doit respecter les indications suivantes pour obtenir un fonctionnement correct :

### Gaz naturel :

Pression minimum : 6 po (15,2 cm) de colonne d'eau  
Pression maximum : 14 po (35,6 cm) de colonne d'eau

### Gaz propane :

Pression minimum : 11 po (27,9 cm) de colonne d'eau  
Pression maximum : 14 po (35,6 cm) de colonne d'eau

En cas d'incertitude quant à la pression d'alimentation à établir, contacter le fournisseur de gaz local.

## Débit thermique des brûleurs — Altitude

Les débits thermiques indiqués sur la plaque signalétique correspondent à une altitude d'utilisation inférieure à 2 000 pi (609,6 m).

Lorsque l'appareil est utilisé à une altitude supérieure à 2 000 pi (609,6 m), on doit réduire le débit thermique indiqué de 4 % pour chaque tranche de 1 000 pi (304,8 m) au-dessus du niveau de la mer (non applicable au Canada).

## Essai de pression de la canalisation de gaz

On doit tester le détendeur sous une pression supérieure d'au moins 1 po (2,5 cm) à la pression de la tubulure de distribution indiquée sur la plaque signalétique.

### Mise sous pression à une pression supérieure à 1/2 lb/po<sup>2</sup> (3,5 kPa) (14 po [35,6 cm] de colonne d'eau)

Lors de tout test de mise sous pression de ce système à une pression supérieure à 1/2 lb/po<sup>2</sup> (3,5 kPa), on doit déconnecter la cuisinière et son robinet d'arrêt individuel de la canalisation de gaz.

### Mise sous pression à une pression de 1/2 lb/po<sup>2</sup> (3,5 kPa) (14 po [35,6 cm] de colonne d'eau) ou moins

Lors de tout test de mise sous pression de la canalisation de gaz à une pression égale ou inférieure à 1/2 lb/po<sup>2</sup> (3,5 kPa), on doit isoler la cuisinière de la canalisation de gaz par fermeture de son robinet d'arrêt manuel individuel.

<sup>†</sup> TEFLON est une marque déposée de Chemours.

# INSTRUCTIONS D'INSTALLATION

## Déballage de la cuisinière

### **⚠ AVERTISSEMENT**

#### Risque du poids excessif

Utiliser deux ou plus de personnes pour déplacer et installer la cuisinière.

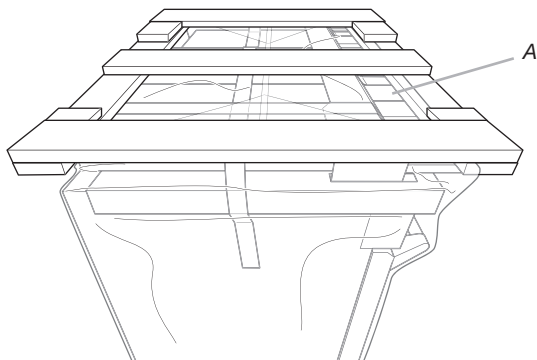
Le non-respect de cette instruction peut causer une blessure au dos ou d'autre blessure.

Ôter les matériaux d'emballage, le ruban adhésif et la pellicule protectrice de la cuisinière. Maintenir la palette d'expédition sous la cuisinière. Retirer les grilles de four et le sachet de pièces de l'intérieur du four. Retirer les grilles du dessus du four.

### Retirer la plinthe

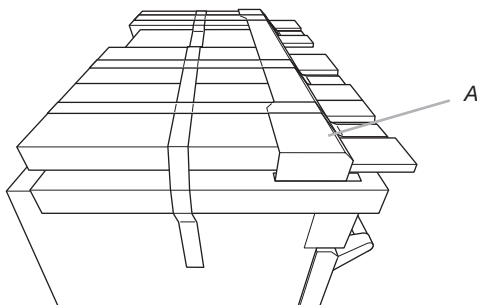
1. La plinthe de votre cuisinière est emballée sur le dessus de l'appareil.
  - a. Enlever la plinthe du dessus de la cuisinière et de l'emballage.

*À l'intérieur de l'emballage*



A. Plinthe

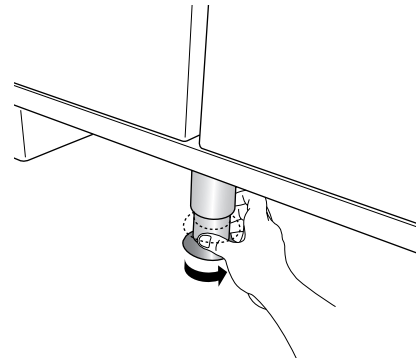
*Emballage enlevé*



A. Plinthe

- b. Placer la plinthe de côté pour éviter les rayures.

2. Pour les modèles de 48 po (121,9 cm) uniquement, faire pivoter le support central dans le sens antihoraire pour le dégager de la palette jusqu'à la butée.



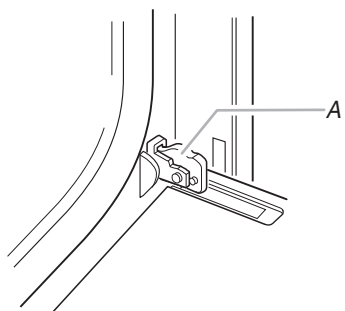
**REMARQUE :** Ce support est utilisé uniquement pour l'expédition et n'est pas nécessaire à l'installation.

3. Disposer un morceau de carton provenant de l'emballage sur le plancher derrière la cuisinière. À deux personnes ou plus, saisir fermement chaque côté de la cuisinière. Soulever la cuisinière d'environ 3 po (8,0 cm) et la déplacer vers l'arrière jusqu'à la faire descendre de la palette d'expédition. Installer la cuisinière sur le carton pour éviter d'endommager le plancher.

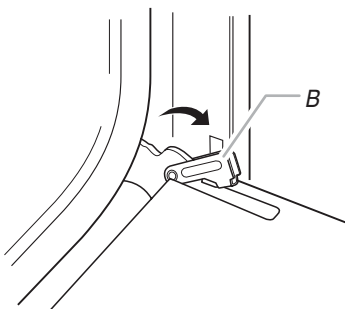
## Retirer la porte

### Retrait des portes

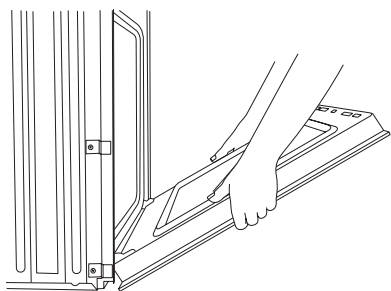
- Ne pas retirer les cales d'espacement latérales de porte avant que la cuisinière ne soit prête pour l'installation. Si on retire les cales d'espacement de la porte, celle-ci pourrait se déplacer et endommager le loquet de porte.
- Ne pas soulever ou déplacer la cuisinière par les poignées de la porte ou le panneau de commande.
- Avant d'installer la cuisinière, vous devrez retirer les portes du four. Préparer une surface où l'on pourra déposer les portes. Cette surface doit être plate et recouverte d'une couverture douce. On peut aussi utiliser les cornières de l'emballage.



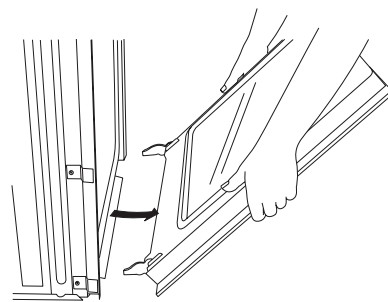
A. Charnière de la porte du four en position de verrouillage



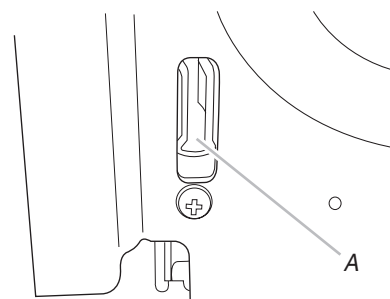
B. Charnière de la porte du four en position de déverrouillage



Fermer partiellement la porte pour engager les loquets de la gâche de porte. La porte restera bloquée à cette position.



Retirer et remettre en place les portes du four avec les deux mains. Vous devrez peut-être basculer doucement la porte d'un côté et de l'autre.



A. Encoche située dans le châssis du four pour le loquet de charnière de la porte

### Réinstallation de la porte

- Pour remettre en place les portes du four, identifier les encoches pour les loquets de charnière situées dans la cavité du four, puis répéter les étapes précédentes dans l'ordre inverse. S'assurer que la porte ferme correctement et qu'il n'y a pas de blocage au niveau du loquet de la porte. Si nécessaire, retirer la porte et répéter les étapes précédentes. Si la cuisinière est connectée à une source d'alimentation électrique, ouvrir et fermer la porte pour s'assurer que la lampe du four s'allume et s'éteint convenablement.
- La cuisinière est équipée de pieds et de roulettes de nivellement. Une fois que l'on a retiré la cuisinière de la palette d'expédition, s'assurer que les pieds de nivellement ne sont pas en contact avec le sol, et utiliser les roulettes pour déplacer la cuisinière en position. Toujours couvrir la surface du sol pour éviter d'endommager le sol. Ne pas faire rouler la cuisinière directement sur le sol.

## Installation de la bride antibasculement

### **AVERTISSEMENT**



#### Risque de basculement

Un enfant ou une personne adulte peut faire basculer la cuisinière, ce qui peut causer un décès.

Fixer la bride antibasculement au plancher ou au mur, conformément aux instructions d'installation.

Faire glisser de nouveau la cuisinière de façon à ce que le pied arrière de la cuisinière se trouve dans la fente de la bride antibasculement.

Réengager la bride antibasculement si la cuisinière a été déplacée.

Ne pas faire fonctionner la cuisinière si la bride antibasculement n'est pas installée et engagée.

Le non-respect de ces instructions peut causer un décès ou des brûlures graves aux enfants et aux adultes.

1. Déterminer la méthode de montage à utiliser : au plancher ou au mur.

Pour un plancher en pierre ou en briquetage, on peut utiliser la méthode de montage au mur.

2. Déterminer et marquer l'axe central de l'espace à découper. On doit installer la bride de montage du côté droit de la découpe. Placer la bride de montage dans l'ouverture découpée comme indiqué dans l'illustration suivante.

#### Mesure B :

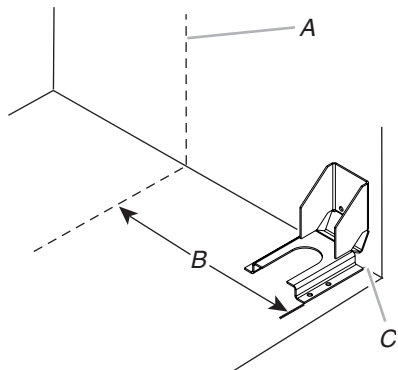
Cuisinières de 30 po (76,2 cm) : 13 po (33 cm)

Cuisinières de 36 po (91,4 cm) : 16 po (40,6 cm)

Cuisinières de 48 po (121,9 cm) : 22 po (55,9 cm)

#### Mesure C :

Distance optionnelle du mur arrière. Si le mur arrière est fabriqué d'un matériau combustible et qu'aucun dossier n'est installé, un dégagement minimal de 6 po (15,2 cm) est nécessaire pour tous les modèles. Adapter l'installation de la bride antibasculement.



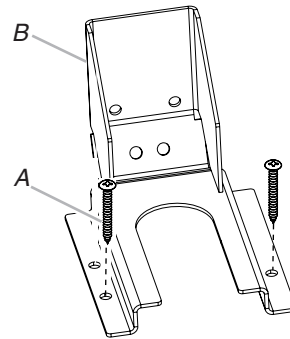
A. Axe central

B. Axe central de l'ouverture découpée jusqu'au bord extérieur de la bride antibasculement

C. Mur arrière au dos de la cuisinière

3. Percer deux trous de 1/8 po (3,0 mm) qui correspondent aux trous de la bride selon la méthode de montage déterminée. Voir les illustrations suivantes.

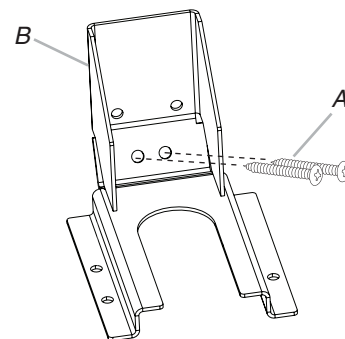
#### Montage au plancher



A. Vis no 12 x 1 5/8 po (4,1 cm)

B. Bride antibasculement

#### Montage mural



A. Vis no 12 x 1 5/8 po (4,1 cm)

B. Bride antibasculement

4. Utiliser un tournevis cruciforme pour visser la bride antibasculement au mur ou au plancher à l'aide de deux vis no 12 x 1 5/8 po (4,1 cm) incluses.

En fonction de l'épaisseur du plancher, des vis plus longues peuvent s'avérer nécessaires pour fixer la bride au sous-plancher. Des vis plus longues sont offertes chez votre quincaillerie locale.

5. Déplacer la cuisinière suffisamment près de l'ouverture pour pouvoir effectuer les raccordements électriques. Retirer la plaque de transport, le carton ou le panneau de fibres dur de sous la cuisinière.
6. Poursuivre l'installation de la cuisinière en utilisant les instructions d'installation suivantes.

## Raccordement au gaz

### **⚠ AVERTISSEMENT**



#### Risque d'explosion

Utiliser une canalisation neuve d'arrivée de gaz approuvée par la CSA International.

Installer un robinet d'arrêt.

Bien serrer chaque organe de connexion de la canalisation de gaz.

En cas de connexion au gaz propane, demander à une personne qualifiée de s'assurer que la pression de gaz ne dépasse pas 36 cm (14 po) de la colonne d'eau.

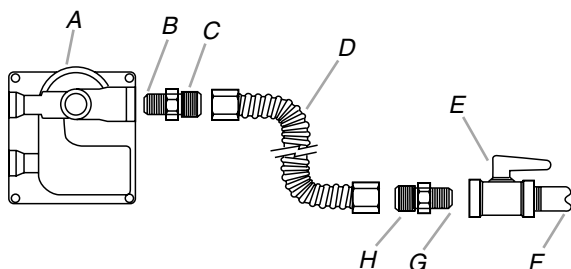
Par personne qualifiée, on comprend :

le personnel autorisé de chauffage,  
le personnel autorisé d'une compagnie de gaz, et  
le personnel d'entretien autorisé.

Le non-respect de ces instructions peut causer un décès, une explosion ou un incendie.

1. Assembler le connecteur flexible de la canalisation d'alimentation en gaz sur le détendeur situé au milieu de la cuisinière.
2. Appliquer un composé d'étanchéité des filetages résistant au propane sur l'extrémité fileté la plus petite des raccords d'adaptation flexibles. (Voir B et G dans l'illustration suivante.)
3. Fixer un raccord d'adaptation sur le détendeur et l'autre raccord d'adaptation sur le robinet d'arrêt de la canalisation de gaz. Serrer les deux raccords d'adaptation en s'assurant de ne pas bouger ou tourner le détendeur.
4. Utiliser une clé mixte de 15/16 po (24 mm) et une pince multiprise pour fixer le raccord flexible sur les raccords d'adaptation. S'assurer que le raccord n'est pas déformé.

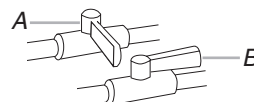
**IMPORTANT :** Tous les raccords doivent être bien serrés à l'aide d'une clé. Ne pas serrer excessivement la connexion sur le détendeur. Un serrage excessif pourrait provoquer une fissuration du détendeur et une fuite de gaz. Lors du serrage des raccords, empêcher le détendeur de tourner ou de bouger.



- |  |  |
|--|--|
| A. Détendeur   | E. Robinet d'arrêt manuel                                |
| B. Utiliser un composé d'étanchéité des tuyauteries                          | F. Conduite de gaz de 1/2 po (1,3 cm) ou 3/4 po (1,9 cm) |
| C. Raccord d'adaptation (avec filetage mâle 1/2 po [1,3 cm] pour tuyauterie) | G. Utiliser un composé d'étanchéité des tuyauteries      |
| D. Raccord flexible  | H. Adaptateur  |

### Achever le raccordement

1. Ouvrir le robinet d'arrêt manuel sur la canalisation d'alimentation en gaz. Le robinet est ouvert lorsque la poignée est parallèle au tuyau de gaz.



- A. Robinet fermé  
B. Robinet ouvert

2. Vérifier tous les raccords en les badigeonnant d'une solution de détection des fuites non corrosive approuvée. L'apparition de bulles indique une fuite. Réparer toutes les fuites.
3. Ôter les chapeaux de brûleur de la cuisinière et les grilles du sachet de pièces. Placer les chapeaux de brûleur sur les bases de brûleur. Placer les grilles sur les brûleurs et chapeaux.

### **⚠ AVERTISSEMENT**



#### Risque de choc électrique

Brancher sur une prise à 3 alvéoles reliée à la terre.

Ne pas enlever la broche de liaison à la terre.

Ne pas utiliser un adaptateur.

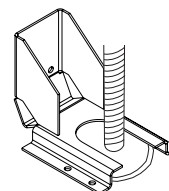
Ne pas utiliser un câble de rallonge.

Le non-respect de ces instructions peut causer un décès, un incendie ou un choc électrique.

4. Brancher sur une prise de courant à 3 alvéoles, reliée à la terre.
5. Ouvrir la source d'alimentation. Pour plus de renseignements, consulter les instructions pour l'utilisateur dans le Guide d'utilisation et d'entretien.

## Vérification de l'emplacement de la bride antibasculement

1. À l'aide d'une clé à molette ou d'une douille de 5/16 po (7,9 mm), tourner les quatre tiges de nivellement d'un tour complet pour soulever la cuisinière et fournir suffisamment de dégagement pour que le pied de nivellement arrière puisse pénétrer dans la bride antibasculement.



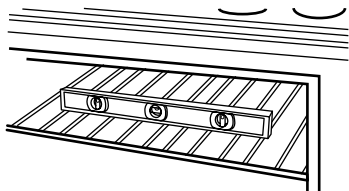
2. Déplacer la cuisinière dans son emplacement final en s'assurant que le pied de nivellement arrière glisse dans la bride antibasculement.
3. Utiliser une lampe de poche pour regarder sous la cuisinière et vérifier que le pied arrière de la cuisinière est inséré dans la fente de la bride antibasculement.



## Ajustement de l'aplomb de la cuisinière

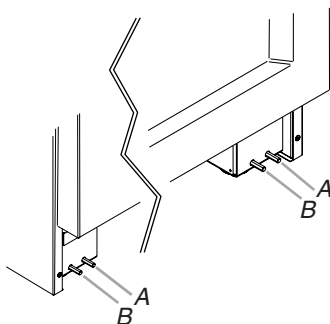
**REMARQUE :** La cuisinière doit être d'aplomb pour que les résultats de cuisson au four soient satisfaisants.

1. Placer la grille dans le four.
2. Placer un niveau sur la grille et contrôler l'aplomb de la cuisinière, d'abord transversalement, puis dans le sens avant/arrière.



3. Si la cuisinière n'est pas d'aplomb, ajuster les tiges de nivellement. À l'aide d'une clé, tourner les tiges de nivellement situées derrière la plinthe pour mettre la cuisinière d'aplomb et pour soulever ou abaisser la cuisinière à la hauteur de plan de travail désirée. Les tiges de nivellement peuvent être placées jusqu'à 1 1/2 po (3,9 cm).

**REMARQUE :** Aucun patin à roulettes ne doit être en contact avec le sol lors de l'installation finale.



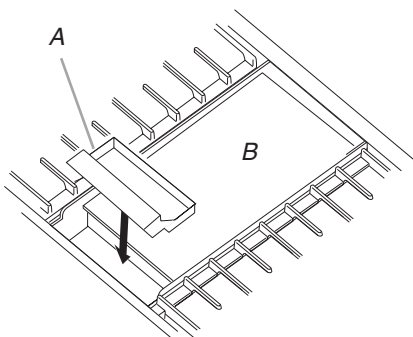
A. Tige de nivellement arrière  
B. Tige de nivellement avant

**REMARQUE :** Tourner dans le sens horaire fait monter l'appareil, tourner dans le sens antihoraire le fait baisser.

## Installer le plateau d'égouttement (sur modèles avec plaque à frire)

La plaque à frire est installée à l'usine.

1. Placer le plateau d'égouttement dans la cavité à l'avant de la plaque à frire. Faire glisser le plateau vers l'arrière jusqu'à la position de butée.



A. Plateau d'égouttement de la plaque à frire  
B. Plaque à frire

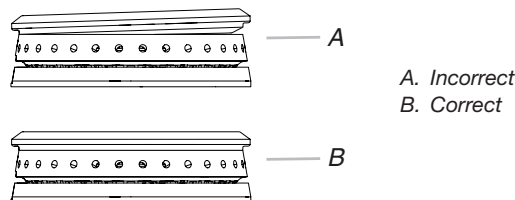
2. Nettoyer la plaque à frire avant de l'utiliser. Consulter le Guide d'utilisation et d'entretien.

## Système d'allumage électronique

### Installer les chapeaux de brûleur

Placer les chapeaux de brûleurs sur la tête des brûleurs. Si les chapeaux de brûleur ne sont pas correctement installés, les brûleurs de surface ne s'allumeront pas.

#### Brûleur



### Allumage initial et réglage des flammes de gaz

À la place de flammes de veille, les brûleurs de la cuisinière sont dotés d'un allumeur électronique. Lorsqu'on place le bouton de commande de la cuisinière à n'importe quelle position, le système génère une étincelle pour allumer le brûleur. Les étincelles continuent d'être générées jusqu'à ce que la flamme soit allumée ou qu'on tourne le bouton à OFF (arrêt).

**REMARQUE :** L'allumage des brûleurs prend plus de temps la première fois. Cela permet au gaz d'arriver aux brûleurs lors de la première utilisation.

### Contrôle du fonctionnement des brûleurs de la cuisinière

Enfoncer et tourner chaque bouton de commande à LITE (allumage).

**REMARQUE :** Un déclic retentit lorsque la canalisation se vide.

Les brûleurs de surface et les flammes du gril doivent s'allumer en 4 secondes. Lors de l'allumage initial du brûleur, le délai d'allumage peut être supérieur à 4 secondes du fait de la présence d'air dans la canalisation de gaz.

Après avoir vérifié le bon fonctionnement du brûleur, tourner les boutons de commande à "OFF" (arrêt).

#### Si les brûleurs ne s'allument pas correctement :

- Tourner le bouton de commande de la cuisinière à la position OFF (arrêt).
- Vérifier que la cuisinière est branchée et le disjoncteur n'est pas ouvert ou qu'un fusible n'a pas grillé.
- Vérifier que les robinets d'arrêt de gaz sont en position ouverts.
- Vérifier que les chapeaux de brûleur sont correctement placés sur la base des brûleurs.

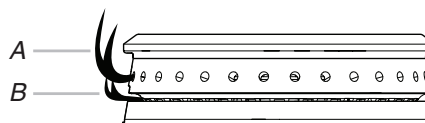
Répéter la mise en marche. Si à ce stade un brûleur ne s'allume pas, contacter le revendeur ou une entreprise de service agréée.

### Hauteur de flamme

La flamme de la cuisinière doit être bleue et constante.

**REMARQUE :** Les hauteurs de flamme sont réglées en usine. Si elles ne semblent pas correctes, contacter votre fournisseur de services.

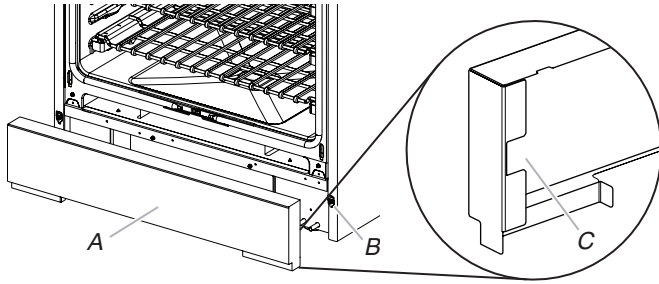
#### Brûleur à double flamme



A. Flamme supérieure (principale)  
B. Flamme inférieure (mijotage)

## Installer la plinthe

**REMARQUE :** La porte doit être enlevée pour enlever ou replacer la plinthe. Consulter la section “Retirer la porte”. Aligner la plinthe sur les fentes pour plinthe et la pousser vers le bas.



- A. Plinthe
- B. Onglet de plinthe
- C. Fente de plinthe

## Terminer l'installation

1. Vérifier que toutes les pièces sont maintenant installées. S'il reste une pièce, passer en revue les différentes étapes pour découvrir laquelle aurait été oubliée.
2. Vérifier la présence de tous les outils.
3. Éliminer/recycler tous les matériaux d'emballage.
4. Pour utiliser et nettoyer le four, lire le Guide d'utilisation et d'entretien.

### Contrôle du fonctionnement du/des four(s)

1. Mettre l'appareil sous tension.
2. Lancer un programme de cuisson au four. Consulter le Guide d'utilisation et d'entretien pour obtenir des instructions détaillées.

**Si le(s) four(s) ne fonctionne(nt) pas, contrôler ce qui suit :**

- Le fusible domestique est intact et bien visé ou le disjoncteur n'est pas ouvert.
  - La prise de courant est correctement alimentée.
  - Voir la section “Dépannage” dans le Guide d'utilisation et d'entretien.
3. Après 10 à 15 minutes de fonctionnement du four, ouvrir la porte du four et voir s'il y a de la chaleur.  
Si aucune chaleur n'est perceptible, éteindre le four et contacter un technicien qualifié.

### Pour obtenir de l'assistance ou une visite de service :

Consulter la section “Assistance ou service” du Guide d'utilisation et d'entretien ou contacter le marchand chez qui vous avez acheté votre cuisinière.

# CONVERSIONS POUR CHANGEMENT DE GAZ

**IMPORTANT :** L'opération de conversion de l'appareil (pour l'alimentation au gaz propane au lieu du gaz naturel) doit être exécutée par un installateur qualifié.

## **⚠ AVERTISSEMENT**



### Risque d'explosion

Utiliser une canalisation neuve d'arrivée de gaz approuvée par la CSA International.

Installer un robinet d'arrêt.

Bien serrer chaque organe de connexion de la canalisation de gaz.

En cas de connexion au gaz propane, demander à une personne qualifiée de s'assurer que la pression de gaz ne dépasse pas 36 cm (14 po) de la colonne d'eau.

Par personne qualifiée, on comprend :

le personnel autorisé de chauffage,  
le personnel autorisé d'une compagnie de gaz, et  
le personnel d'entretien autorisé.

Le non-respect de ces instructions peut causer un décès, une explosion ou un incendie.

## **Conversion pour l'alimentation au propane**

## **⚠ AVERTISSEMENT**



### Risque de basculement

Un enfant ou une personne adulte peut faire basculer la cuisinière, ce qui peut causer un décès.

Fixer la bride antibasculement au plancher ou au mur, conformément aux instructions d'installation.

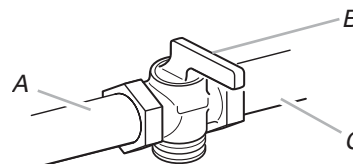
Faire glisser de nouveau la cuisinière de façon à ce que le pied arrière de la cuisinière se trouve dans la fente de la bride antibasculement.

Réengager la bride antibasculement si la cuisinière a été déplacée.

Ne pas faire fonctionner la cuisinière si la bride antibasculement n'est pas installée et engagée.

Le non-respect de ces instructions peut causer un décès ou des brûlures graves aux enfants et aux adultes.

1. Fermer le robinet d'arrêt manuel à la position fermée.



- A. Vers la cuisinière  
B. Robinet d'arrêt (position fermée)  
C. Canalisation d'alimentation en gaz

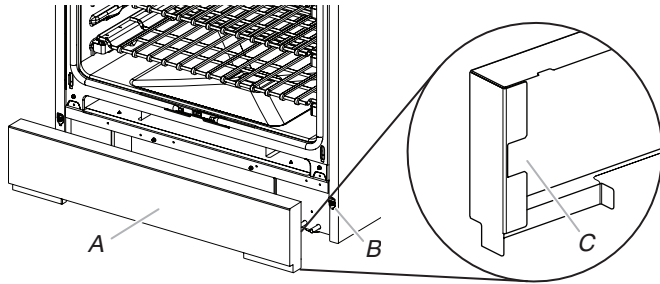
2. Débrancher la cuisinière ou déconnecter la source de courant électrique.

## Conversion du détendeur du gaz naturel au gaz propane

**REMARQUE :** La porte doit être enlevée pour enlever ou remplacer la plinthe. Consulter la section "Retirer la porte".

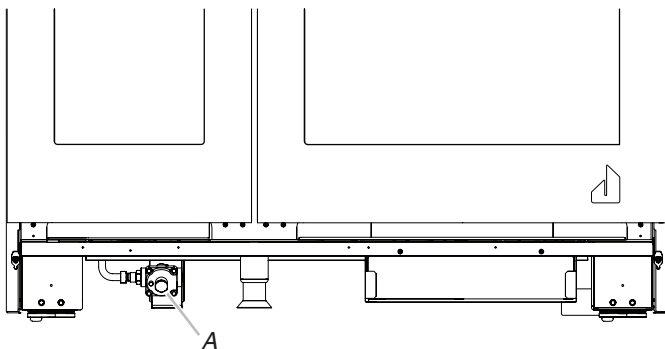
Aligner la plinthe sur les fentes pour plinthe et la pousser vers le bas.

1. Soulever la plinthe et le retirer des onglets de plinthe.



A. Plinthe  
B. Onglet de plinthe  
C. Fente de plinthe

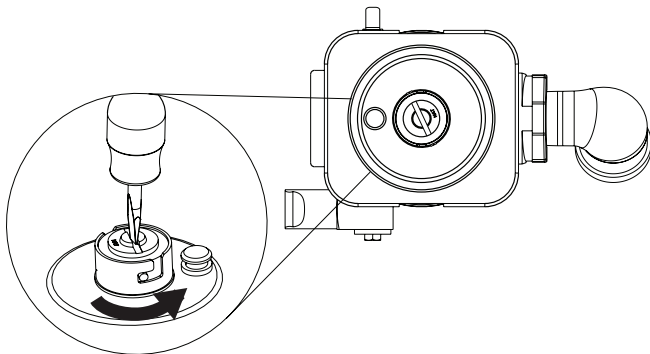
2. Placer doucement la plinthe de côté pour éviter les rayures.
3. Localiser le détendeur situé du côté arrière gauche de la cuisinière.



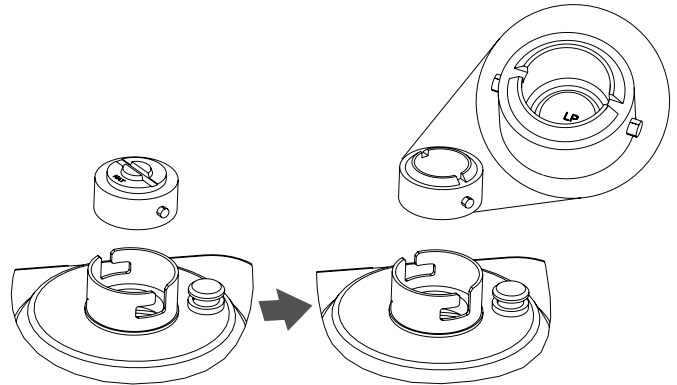
A. Détendeur

4. Retirer le chapeau du détendeur à l'aide d'un gros tournevis à lame plate en tournant le chapeau du détendeur dans le sens antihoraire.

**REMARQUE :** Ne pas enlever le ressort situé sous le chapeau.



5. Retourner le chapeau du détendeur et le réinstaller sur le détendeur de façon à ce que l'extrémité creuse soit orientée vers l'extérieur et que les lettres "LP" (propane) soient visibles.



6. Serrer le chapeau du détendeur à l'aide d'un gros tournevis à lame plate en tournant le chapeau du détendeur dans le sens horaire.
7. Tester le détendeur et la canalisation de gaz.

On doit tester le détendeur sous une pression supérieure d'au moins 1 po (2,5 cm) de colonne d'eau à la pression de service. Pour le fonctionnement et le contrôle du réglage du détendeur, il faut que la pression d'admission au détendeur corresponde aux indications ci-dessous :

### Gaz propane :

Pression minimum : 11 po (27,9 cm) de colonne d'eau

Pression maximum : 14 po (35,6 cm) de colonne d'eau

### Essai de pression de la canalisation de gaz

On doit tester le détendeur sous une pression supérieure d'au moins 1 po (2,5 cm) à la pression de la tubulure de distribution indiquée sur la plaque signalétique.

### Mise sous pression à une pression supérieure à 1/2 lb/po<sup>2</sup> (3,5 kPa) (14 po [35,6 cm] de colonne d'eau)

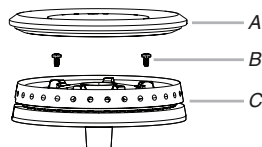
Lors de tout test de mise sous pression de ce système à une pression supérieure à 1/2 lb/po<sup>2</sup> (3,5 kPa), on doit déconnecter la cuisinière et son robinet d'arrêt individuel de la canalisation de gaz.

### Mise sous pression à une pression de 1/2 lb/po<sup>2</sup> (3,5 kPa) (14 po [35,6 cm] de colonne d'eau) ou moins

Lors de tout test de mise sous pression de la canalisation de gaz à une pression égale ou inférieure à 1/2 lb/po<sup>2</sup> (3,5 kPa), on doit isoler la cuisinière de la canalisation de gaz par fermeture de son robinet d'arrêt manuel individuel.

## Conversion des brûleurs de surface du gaz naturel au gaz propane

1. Si les grilles de brûleur sont installées, les retirer.
2. Ôter le chapeau de brûleur.
3. Retirer la base du brûleur en dévissant d'abord (2) vis T-20.



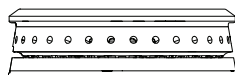
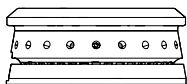
**Brûleur**  
A. Chapeau de brûleur  
B. Vis  
C. Base du brûleur

4. Appliquer du ruban adhésif de masquage à l'extrémité d'un tourne-écrou de 1/4 po (7 mm) pour retenir le gicleur du brûleur dans le tourne-écrou durant l'extraction. Insérer le tourne-écrou dans l'ouverture de gaz, appuyer sur le gicleur et le retirer en le faisant tourner dans le sens antihoraire et en le soulevant. Conserver à part l'injecteur du brûleur.
5. Remplacer le gicleur par un gicleur pour gaz propane de taille correcte. Voir le "Tableau de sélection des gicleurs/injecteurs femelles pour gaz propane".

Suivre les indications du tableau ci-dessous pour déterminer l'emplacement exact de chaque gicleur de brûleur.

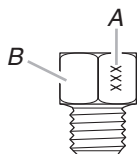
### Tableau de sélection des gicleurs/injecteurs femelles pour gaz propane

| Puissance thermique | Empreinte | Taille  | Style de brûleur          |
|---------------------|-----------|---------|---------------------------|
| 7 400 BTU           | 70        | 0,70 mm | Petit brûleur – principal |
|                     | 44        | 0,44 mm | Petit brûleur – mijotage  |
| 13 000 BTU          | 99        | 0,99 mm | Gros brûleur – principal  |
|                     | 50        | 0,50 mm | Gros brûleur – mijotage   |
| 16 000 BTU          | 116       | 1,16 mm | Brûleur du gril           |



**REMARQUE :** Consulter la plaque signalétique pour obtenir plus de renseignements sur les capacités nominales du brûleur et les emplacements.

#### Gicleur de brûleur



A. Marquage pour identification de la taille  
B. Marque de type de gaz (L ou N)

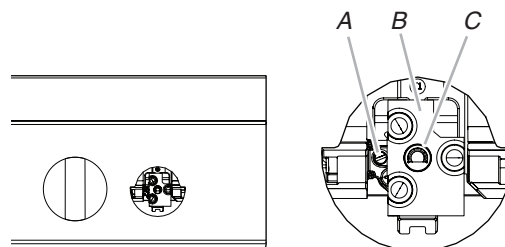
6. Placer le gicleur pour gaz naturel dans le sachet en plastique contenant les pièces et conserver le tout avec le sachet de documentation pour pouvoir le réutiliser ultérieurement.

**REMARQUE :** Il peut y avoir des trous supplémentaires dans votre trousse.

7. Réinstaller la base du brûleur et les vis. Serrer les vis jusqu'à ce que le brûleur soit en affleurement avec la surface de cuisson, pas plus. Ne pas trop serrer.
8. Réinstaller le chapeau de brûleur.
9. Répéter les étapes 2 à 8 pour les autres brûleurs.

## Effectuer les réglages d'intensité faible du brûleur de surface au propane principal et de mijotage

1. Retirer les boutons de commande et encadrements du brûleur de surface (les boutons de commande du four et de la plaque n'ont pas besoin d'être enlevés).
2. Trouver la vis de réglage de mijotage faible située sur l'encadrement du côté gauche du commutateur d'allumage.



A. Vis de réglage de mijotage faible  
B. Commutateur d'allumage  
C. Vis de réglage d'intensité faible du brûleur principal (tige intérieure)

3. En mettant le brûleur en marche et sur le réglage Simmer Lo (mijotage faible), régler la flamme de mijotage au BTU approprié. À l'aide d'un tournevis à lame plate de 1/8 po x 4 1/4 po (3,2 mm x 108 mm), tourner la vis de réglage de mijotage faible dans le sens horaire jusqu'à ce que la hauteur de la flamme soit sous le bas du chapeau. Si la flamme devient instable et tremblote ou semble courir autour du brûleur, le réglage est trop faible et la vis doit être tournée dans le sens antihoraire jusqu'à ce que la flamme soit stable. Répéter cette étape pour tous les brûleurs de surface, sauf le brûleur de gril.

**REMARQUE :** Utiliser le bouton pour régler la valve du brûleur.

**REMARQUE :** Si la cuisinière est munie d'un gril à infrarouge, passer directement à la section de conversion d'un brûleur de gril IR.

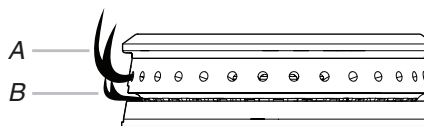
**REMARQUE :** Régler individuellement chaque brûleur.

4. Avec le brûleur éteint, utiliser le même tournevis à lame plate, tourner la vis de réglage d'intensité faible du brûleur principal de 120 à 135 degrés dans le sens horaire. Ceci permettra de modifier le réglage d'intensité faible du brûleur principal pour obtenir le bon niveau.
5. Replacer les encadrements à l'aide des 2 vis qui se fixent aux supports de valves.
6. Pousser les boutons de surface sur les tiges des valves.
7. Réinstaller les grilles des brûleurs.

### Hauteur de flamme

La flamme de la table de cuisson doit correspondre à une flamme bleue stable d'environ 1/4" (6,4 mm) de hauteur.

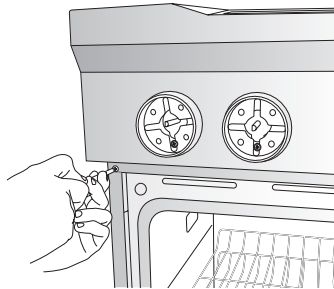
#### Brûleur



A. Flamme supérieure (principal)  
B. Flamme inférieure (mijotage)

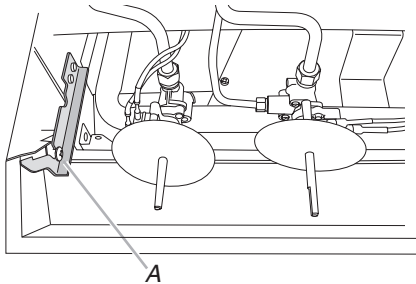
## Réglage de la taille des flammes :

1. Débrancher la cuisinière ou déconnecter la source de courant électrique.
2. Ôter les grilles de brûleur.
3. Ôter les boutons de commande.
4. Ouvrir la porte du four et ôter les deux vis qui maintiennent la console de commande en place de chaque côté de la cuisinière.



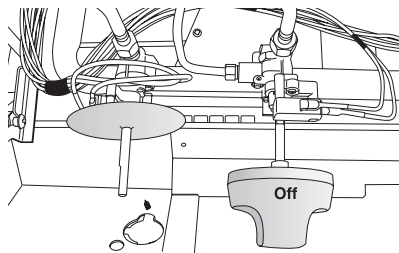
**REMARQUE :** Veiller à laisser la porte du four entrouverte, sans quoi la console de commande ne reposera pas correctement sur les brides latérales une fois détachée.

5. Tirer la console de commande vers le haut et la laisser retomber vers l'avant dans les brides à encoche de la console situées de chaque côté.

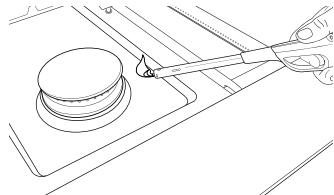


A. Bride de la console de commande

6. Placer un bouton de commande sur la tige de réglage du brûleur que l'on souhaite régler.

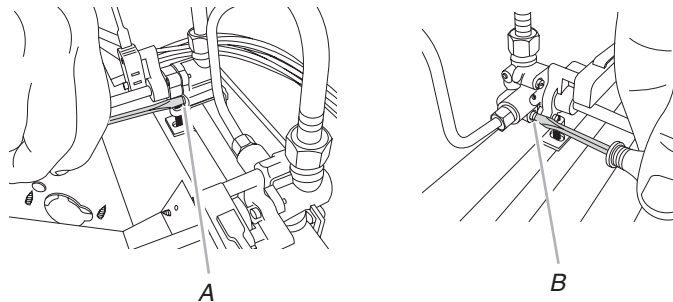


7. Tourner le bouton de commande à LO (faible) et allumer le brûleur avec un briquet à butane allongé.



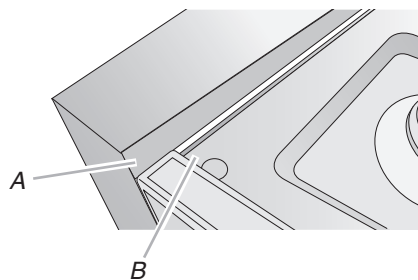
8. Ôter le bouton de commande.

9. Régler la hauteur de flamme à l'aide d'un tournevis à lame plate de 1/8" x 4 1/4" (3 mm x 100 mm). Serrer la vis pour réduire la hauteur de la flamme. Desserrer la vis pour augmenter la hauteur de flamme.



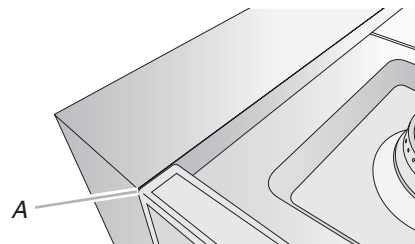
A. Vis de réglage du brûleur à flamme simple (du côté droit du robinet)  
B. Vis de réglage du brûleur à double flamme (du côté gauche du robinet)

10. Lorsque l'on a terminé de régler la hauteur de flamme, replacer le bouton de commande sur la tige de réglage du robinet et éteindre le brûleur.
11. Ôter le bouton de commande.
12. Répéter les étapes 6 à 13 pour tout autre brûleur nécessitant un réglage.
13. Soulever la console de commande et la remettre en place. Pour que les deux soient bien emboîtées, le rebord de la console de commande doit se rabattre par-dessus la bordure de l'avant de la table de cuisson de la cuisinière.



A. Rebord de la console de commande  
B. Bordure avant de la table de cuisson de la cuisinière

14. Vérifier que la console de commande est en affleurement avec le bord supérieur de la cuisinière.

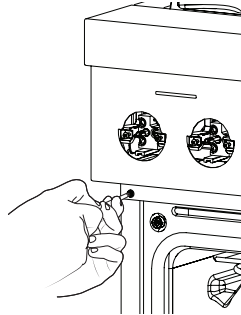


A. En affleurement avec le dessus de la cuisinière

15. Remettre en place les deux vis de chaque côté de la console de commande.
16. Réinstaller les boutons de commande.
17. Réinstaller les grilles des brûleurs.
18. Tester la flamme en tournant le bouton de commande pour le faire passer de LO (basse) à HI (élevée) et observer les flammes pour chaque réglage.

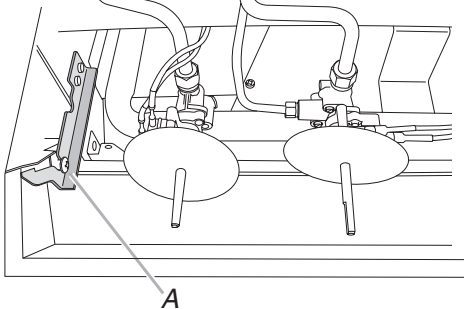
## Pour convertir un brûleur de grill IR au propane

1. Débrancher la cuisinière ou déconnecter la source de courant électrique.
2. Retirer le bouton de grill et l'encadrement. Les autres boutons de surface et encadrements devraient toujours être retirés de la cuisinière.
3. Ouvrir la porte du four et ôter les deux vis qui maintiennent la console de commande en place de chaque côté de la cuisinière.



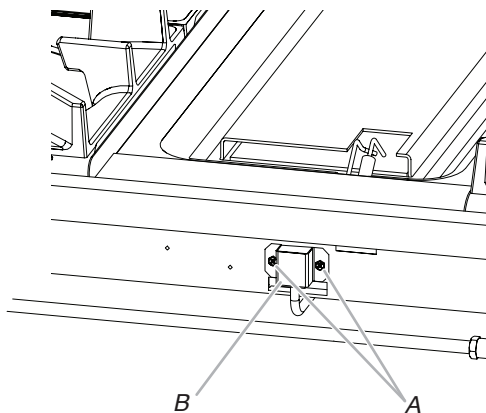
**REMARQUE :** Veiller à laisser la porte du four ouverte, sans quoi la console de commande ne reposera pas correctement sur les brides latérales une fois détachée.

4. Tirer la console de commande vers le haut et la laisser retomber vers l'avant dans les brides à encoche de la console situées de chaque côté.



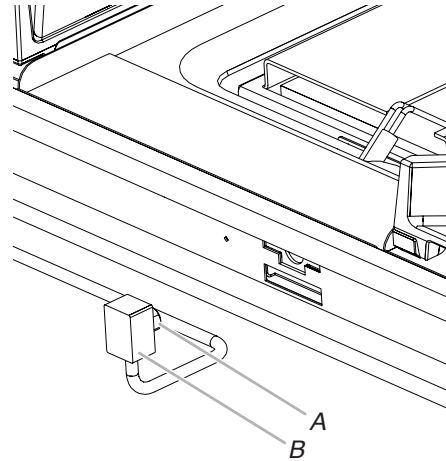
A. Brides de la console de commande

5. Retirer les deux vis maintenant en place le support de porte-gicleur de grill.



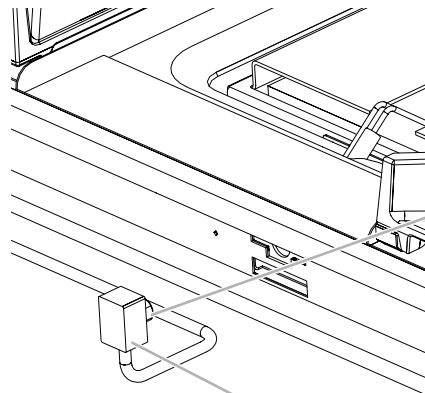
A. Vis  
B. Support de porte-gicleur de grill

6. Sortir suffisamment le porte-gicleur de la boîte du gicleur pour permettre l'accès à l'orifice à l'aide d'une clé, mais en faisant très attention de ne pas plier le tuyau qui y est attaché.



A. Porte-gicleur du grill  
B. Support de porte-gicleur

7. À l'aide d'une clé à molette et d'une clé de 1/2 po (1,3 cm), retirer gicleur de brûleur au gaz naturel (NG) et le remplacer par le bon gicleur de brûleur au propane (L).

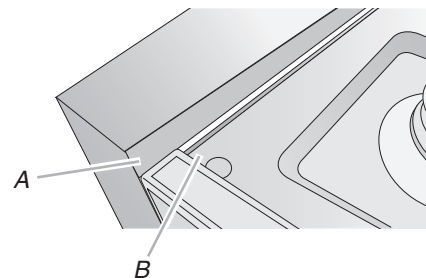


Utiliser une clé ouverte de 1/2 po (1,3 cm) pour enlever et remettre en place le gicleur

Tenir ici avec une clé à molette

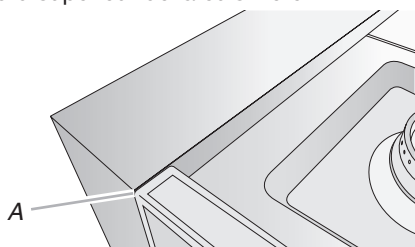
8. Replacer le porte-gicleur du grill dans la boîte du brûleur, puis le support de porte-gicleur et deux vis de support.
9. Soulever la console de commande et la remettre en place. Pour que les deux soient bien emboîtées, le rebord de la console de commande doit se rabattre par-dessus la bordure de l'avant de la table de cuisson.

**REMARQUE :** Il pourrait être nécessaire de soulever les tiges de valves pour effectuer l'alignement avec les trous de la console.



A. Rebord de la console de commande  
B. Bordure avant la table de cuisson de la cuisinière

- Vérifier que la console de commande est en affleurement avec le bord supérieur de la cuisinière.

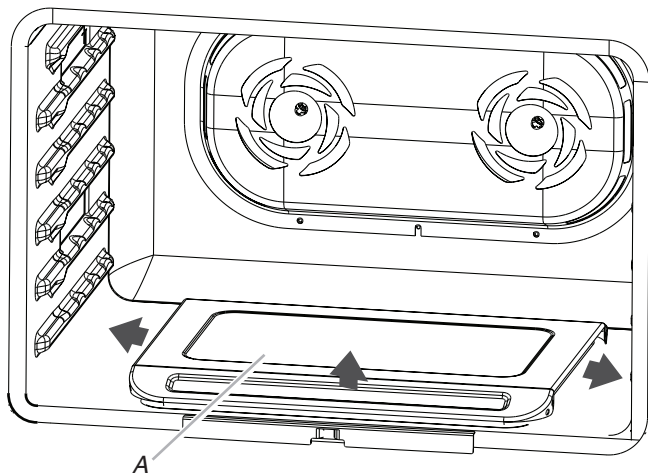


A. En affleurement avec le dessus de la cuisinière

- Remettre en place les vis de chaque côté de la console de commande.
- Replacer les boutons de commandes et encadrements.
- Réinstaller les grilles des brûleurs.

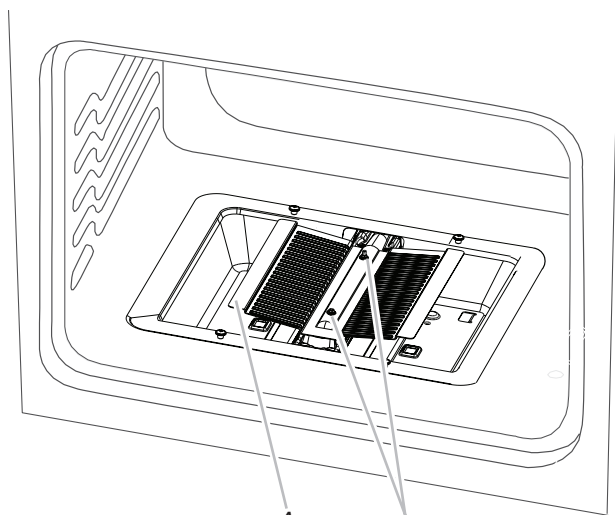
**Pour convertir le brûleur de cuisson au four (modèles de 30 po [76,2 cm] et de 36 po [91,4 cm] et la cavité du four de droite sur les modèles de 48 po [121,9 cm])**

- Faire glisser le couvercle du brûleur de cuisson au four vers la droite ou vers la gauche.



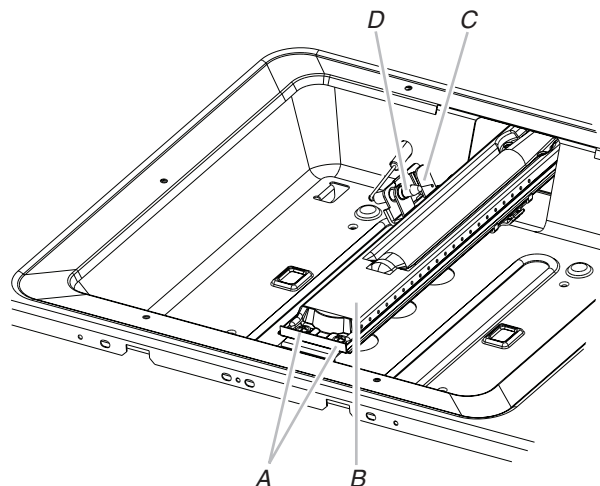
A. Couvercle du brûleur de cuisson au four

- Retirer le couvercle de brûleur de cuisson au four en le soulevant et le mettre de côté.
- En utilisant un tournevis à douille de 1/4 po (6,4 mm), dévisser les écrous du déflecteur du four et retirer le déflecteur du four. Réserver.



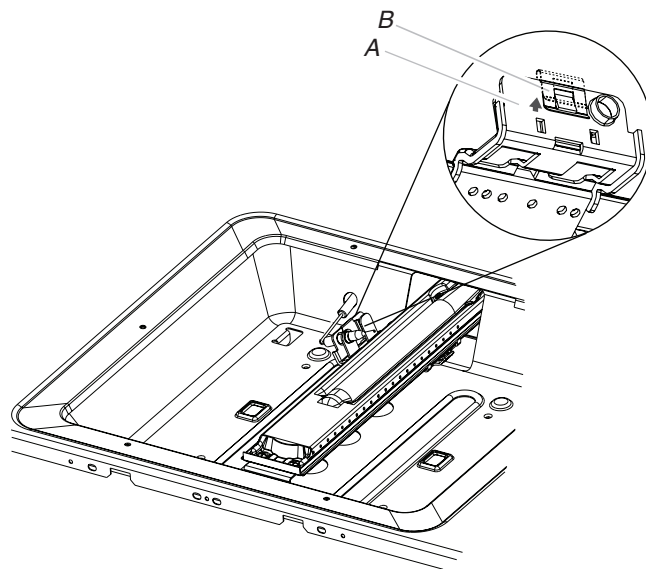
A. Déflecteur du four  
B. Écrous du déflecteur du four

- Retirer les vis du brûleur de cuisson au four et le brûleur de cuisson au four. Faire pivoter le brûleur sur 90° sur la gauche et le poser doucement sur son côté.



A. Vis du brûleur de cuisson au four  
B. Brûleur de cuisson au four  
C. Support de l'électrode du brûleur de cuisson au four  
D. Electrode du brûleur de cuisson au four

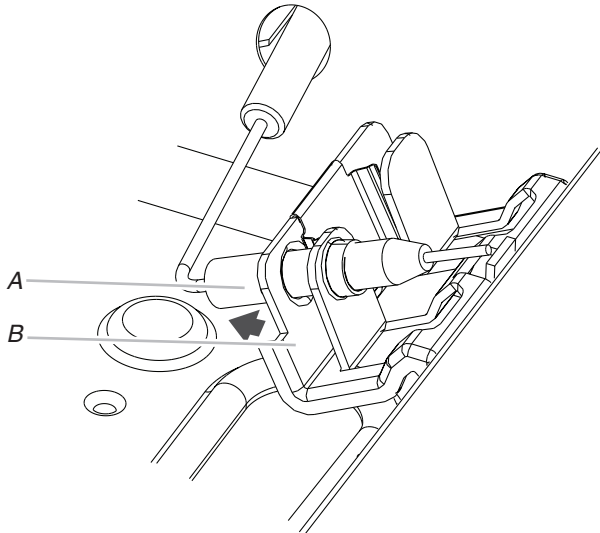
- Soulever l'attache située sur le support de l'électrode du brûleur de cuisson au four avec le doigt ou avec un tournevis plat puis retirer l'électrode.



A. Support de l'électrode du brûleur de cuisson au four  
B. Attache du support de l'électrode

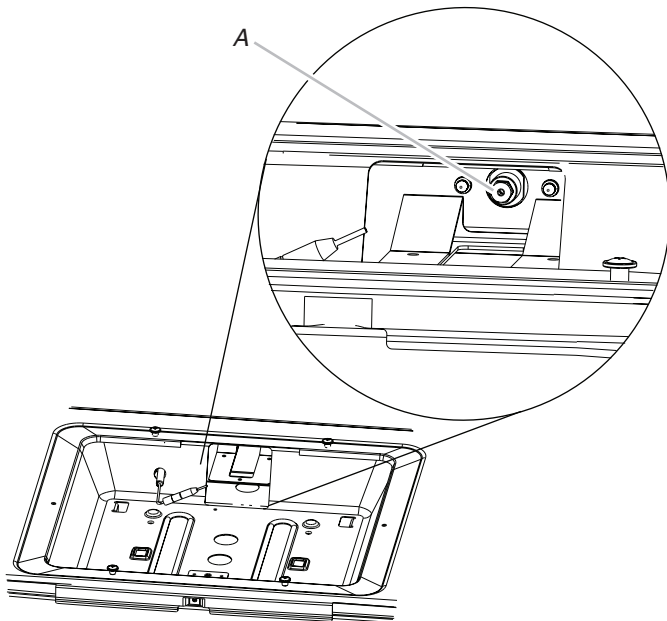


6. Dégager l'électrode du support.



A. Saisir l'électrode ici.  
B. Support

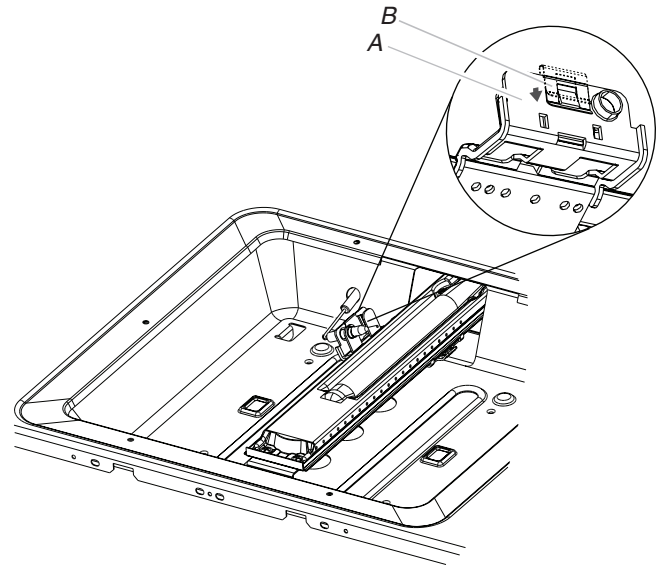
7. Appliquer du ruban adhésif de masquage à l'extrémité d'un tourne-écrou de 1/4 po (6,4 mm) pour retenir le gicleur du brûleur dans le tourne-écrou durant l'extraction. Insérer le tourne-écrou dans l'ouverture de gaz, appuyer sur le gicleur et le retirer en le faisant tourner dans le sens antihoraire et en le soulevant. Conserver à part le gicleur du brûleur.



A. Gicleur

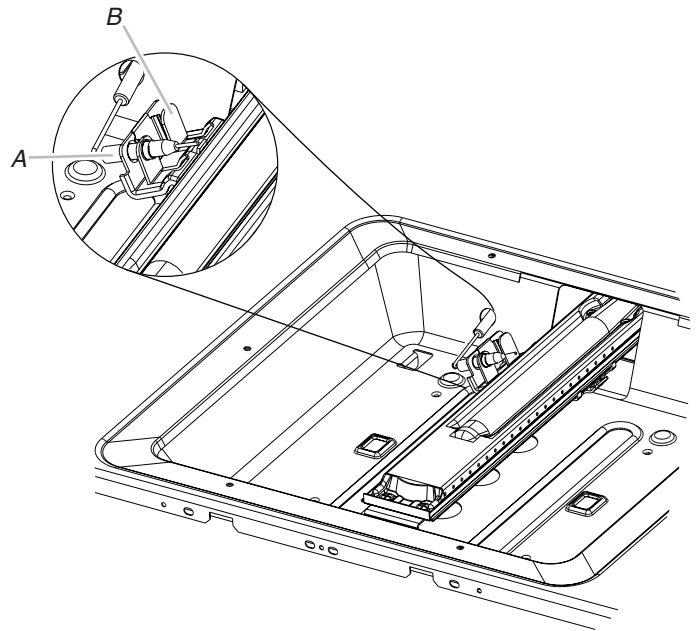
8. Les gicleurs portent une inscription – une lettre et un nombre. Installer le gicleur de brûleur de cuisson au four numéro 125.  
9. Placer le gicleur pour gaz naturel dans le sachet en plastique contenant les pièces et conserver le tout avec le sachet de documentation pour pouvoir le réutiliser ultérieurement.

10. Enfoncer l'attache sur le support de l'électrode.



A. Support de l'électrode du brûleur de cuisson au four  
B. Attache du support de l'électrode

11. Réinstaller l'électrode du brûleur de cuisson au four à l'intérieur du support.



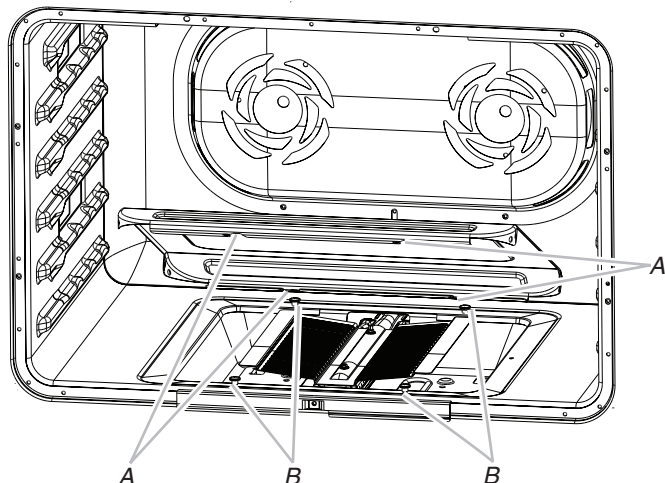
A. Électrode du brûleur de cuisson au four  
B. Support de l'électrode du brûleur de cuisson au four

12. Réinstaller le brûleur de cuisson au four et les vis du brûleur de cuisson au four. Voir l'étape 4 pour l'illustration.

13. Réinstaller le déflecteur du four et les écrous du déflecteur du four. Les orifices frontaux seront alignés et un clic retentira lorsque le déflecteur est appuyé.

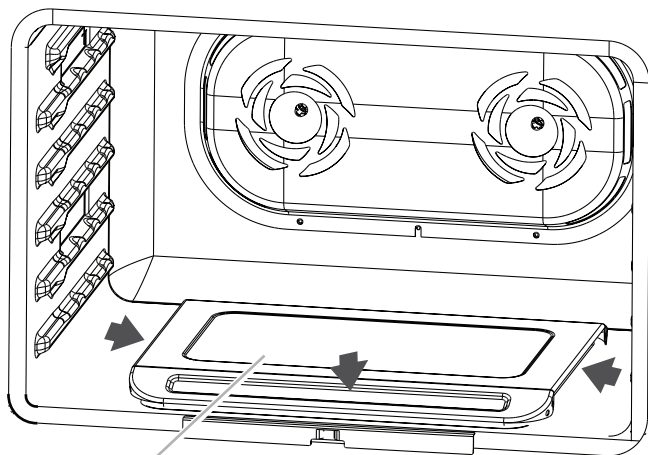
## Réinstaller le couvercle du brûleur de cuisson au four

1. Aligner les encoches du couvercle du brûleur du four avec les vis à épaulement dans le fond du four.



A. Encoches de couvercle (4)  
B. Vis à épaulement (4)

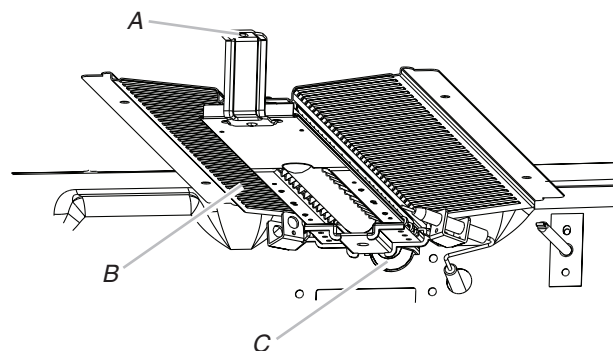
2. Abaisser le couvercle et le faire glisser vers la gauche ou vers la droite pour faire glisser les vis à épaulement dans les extrémités étroites des encoches puis emboîter le tout.



A. Encoches de couvercle (4)

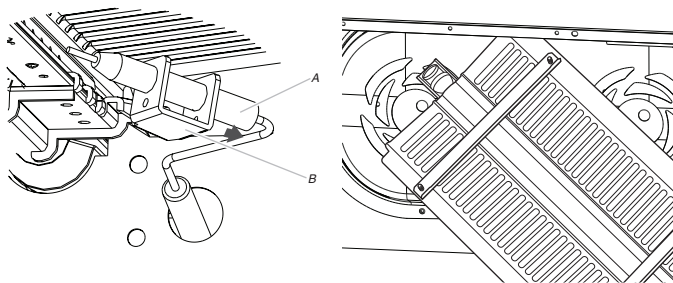
## Pour convertir le brûleur de cuisson au grill (modèles de 30 po [76,2 cm] et de 36 po [91,4 cm]) et la cavité du four de droite sur les modèles de 48 po [121,9 cm]

1. En utilisant un tournevis à douille de 1/4 po (6,4 mm), retirer la vis du brûleur du grill. Placer de côté avec l'allumeur latéral placé sur la droite.



A. Vis du brûleur de cuisson au grill  
B. Brûleur de cuisson au grill  
C. Orifice du gicleur de brûleur de cuisson au grill

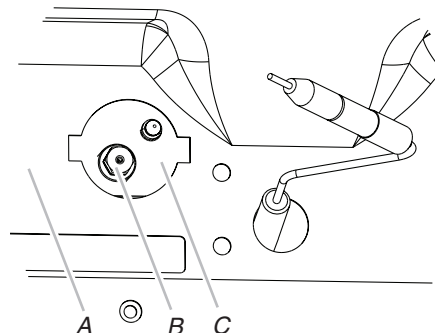
2. Tirer le brûleur de cuisson au grill vers soi jusqu'à ce qu'il ressorte de l'orifice à l'arrière du four puis dégager l'électrode du support. Le brûleur de cuisson au grill pend à l'arrière du four pendant que l'on change le gicleur.



A. Saisir l'électrode ici.  
B. Support

Le brûleur de grill pend à l'arrière du four

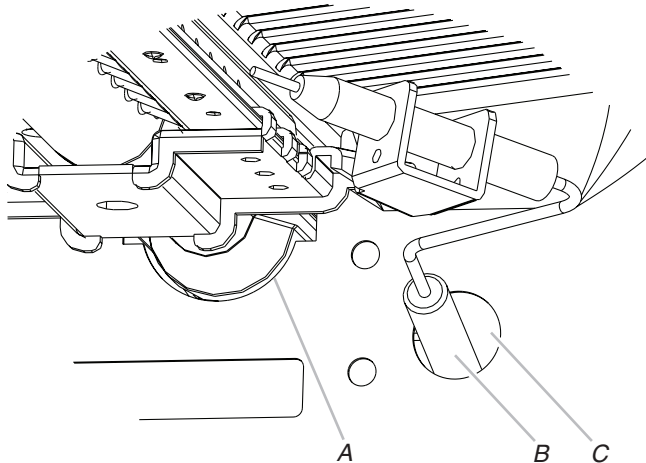
3. Appliquer du ruban adhésif de masquage à l'extrémité d'un tourne-écrou de 1/4 po (6,4 mm) pour retenir le gicleur du brûleur dans le tourne-écrou durant l'extraction. Insérer le tourne-écrou dans l'ouverture de gaz, appuyer sur le gicleur et le retirer en le faisant tourner dans le sens antihoraire et en le soulevant. Conserver à part le gicleur du brûleur.



A. Arrière du four  
B. Gicleur du brûleur de cuisson au grill  
C. Orifice du gicleur de brûleur de cuisson au grill

4. Les gicleurs portent une inscription – une lettre et un nombre. Installer le gicleur de brûleur de cuisson au grill numéro 90.
5. Placer le gicleur pour gaz naturel dans le sachet en plastique contenant les pièces et conserver le tout avec le sachet de documentation pour pouvoir le réutiliser ultérieurement.

- Replacer le brûleur de cuisson au grill dans l'orifice à l'arrière du four avec l'électrode du brûleur de cuisson au grill à l'intérieur de l'orifice du brûleur de cuisson au grill, tel qu'illustré.

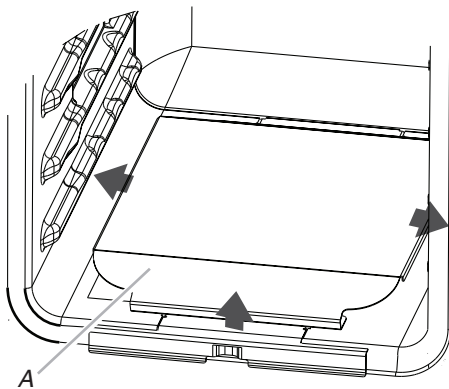


A. Orifice du gicleur de brûleur de cuisson au grill  
 B. Électrode du brûleur de cuisson au grill  
 C. Orifice de l'électrode du brûleur de cuisson au grill

- Réinstaller la vis du brûleur de cuisson au grill. Voir l'étape 1 pour l'illustration. Les vis sont alignées avec l'orifice, lorsqu'un clic se fait entendre.

**Pour convertir le brûleur de cuisson au four (cavité du four de gauche sur les modèles de 48 po [121,9 cm])**

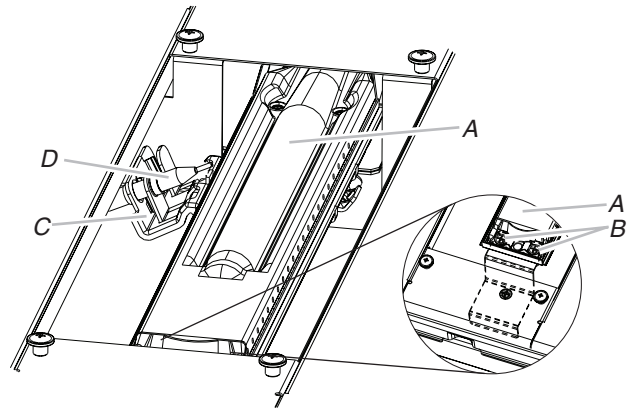
- Ôter les grilles du four. Voir la section "Repose des grilles".
- Enlever la porte du four. Voir la section "Dépose de la porte du four".
- Faire glisser le couvercle du brûleur de cuisson au four vers la droite ou vers la gauche.



A. Brûleur de cuisson au four – couvercle

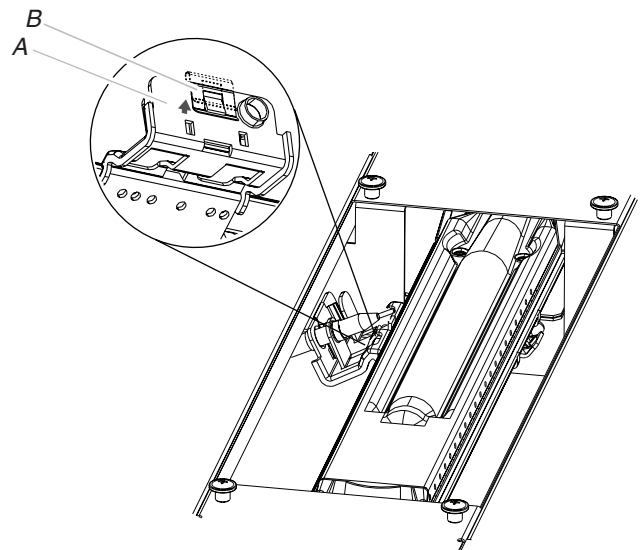
- Retirer le couvercle de brûleur de cuisson au four en le soulevant et le mettre de côté.

- Retirer les vis du brûleur de cuisson au four et le brûleur de cuisson au four et les mettre de côté avec précaution.



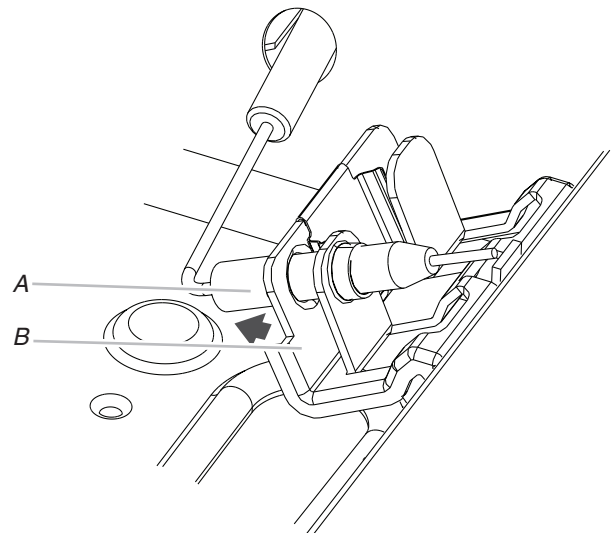
A. Brûleur de cuisson au four  
 B. Vis du brûleur de cuisson au four  
 C. Support de l'électrode du brûleur de cuisson au four  
 D. Électrode du brûleur de cuisson au four

- Soulever l'attache située sur le support de l'électrode du brûleur de cuisson au four avec le doigt ou avec un tournevis à lame plate.



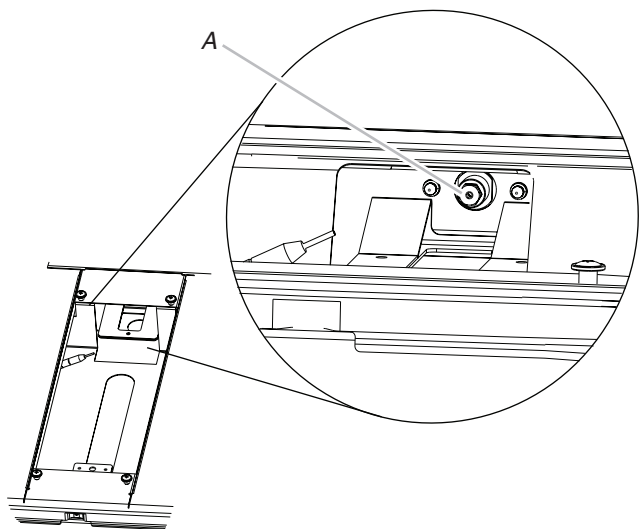
A. Support de l'électrode du brûleur de cuisson au four  
 B. Attache du support de l'électrode

- Dégager l'électrode du support.



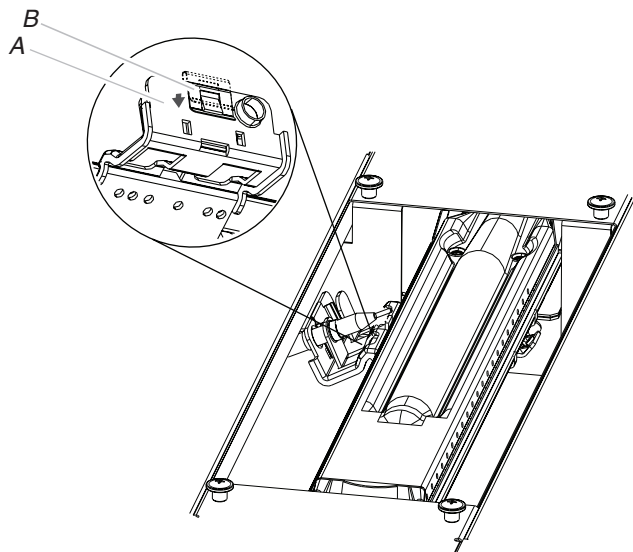
A. Saisir l'électrode ici.  
 B. Support

8. Appliquer du ruban adhésif de masquage à l'extrémité d'un tourne-écrou de 1/4 po (6,4 mm) pour retenir le gicleur du brûleur dans le tourne-écrou durant l'extraction. Insérer le tourne-écrou dans l'ouverture de gaz, appuyer sur le gicleur et le retirer en le faisant tourner dans le sens antihoraire et en le soulevant. Conserver à part le gicleur du brûleur.



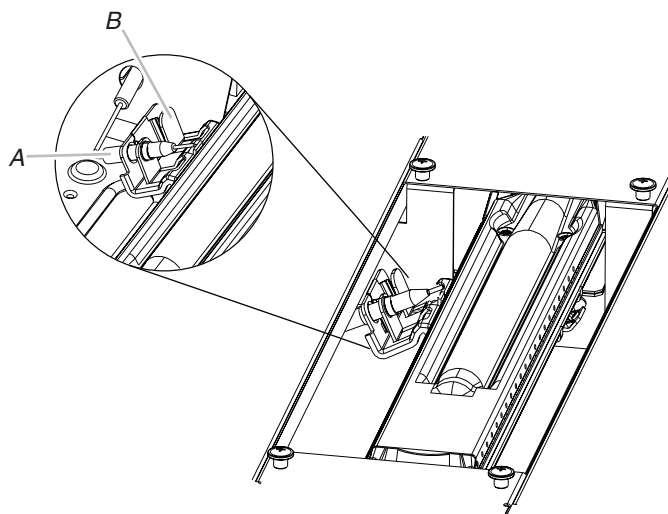
A. Gicleur

9. Les gicleurs portent une inscription – une lettre et un nombre. Installer le gicleur de brûleur de cuisson au four numéro 105.
10. Placer le gicleur pour gaz naturel dans le sachet en plastique contenant les pièces et conserver le tout avec le sachet de documentation pour pouvoir le réutiliser ultérieurement.
11. Enfoncer l'attache sur le support de l'électrode.



A. Support de l'électrode du brûleur de cuisson au four  
B. Attache du support de l'électrode

12. Réinstaller l'électrode du brûleur de cuisson au four à l'intérieur du support.

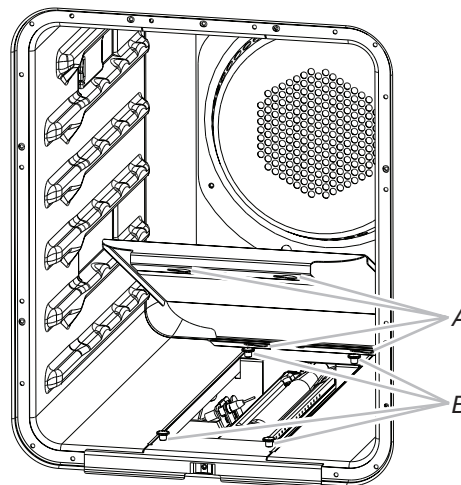


A. Électrode du brûleur de cuisson au four  
B. Support de l'électrode du brûleur de cuisson au four

13. Réinstaller le brûleur de cuisson au four et les vis du brûleur de cuisson au four. Voir l'étape 5 pour l'illustration.

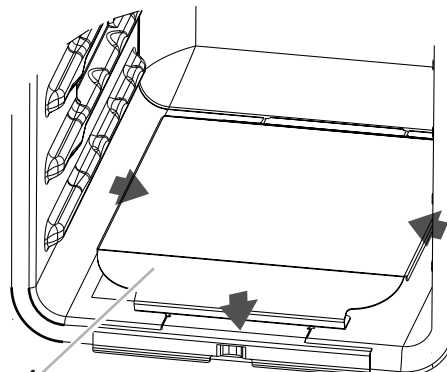
### Réinstaller le couvercle du brûleur de cuisson au four

1. Aligner les trous de montage des vis arrière à épaulement (encoches allongées) du couvercle de brûleur de cuisson au four avec les vis à épaulement dans le fond du four.



A. Trous de montage (encoches allongées) de vis à épaulement  
B. Vis à épaulement

2. Abaisser le couvercle et le faire glisser vers la gauche ou vers la droite pour faire glisser les vis à épaulement dans les extrémités étroites des encoches allongées puis emboîter le tout.



A. Brûleur de cuisson au four – couvercle

## Terminer l'installation

1. Consulter la section "Effectuer le raccordement au gaz" pour savoir comment bien raccorder la cuisinière à l'entrée de gaz.
2. Pour l'allumage et l'utilisation corrects du brûleur, ainsi que le réglage des flammes sur le brûleur, voir la section "Système d'allumage électronique".

**IMPORTANT :** Il peut être nécessaire de modifier le réglage des flammes à la position du débit thermique minimum "LO" (basse) pour chaque brûleur de la cuisinière.

Il est très important de vérifier que les flammes sont correctes sur les brûleurs de la cuisinière. Le petit cône interne doit comporter une flamme bleue très distincte de 1/4 po (6,4 mm) à 1/2 po (1,3 cm) de long. Le cône extérieur n'est pas aussi net que le cône intérieur. Les flammes produites par le gaz propane ont une pointe légèrement jaune.

3. Voir le point "Terminer l'installation" de la section "Instructions d'installation" du présent manuel pour achever cette procédure.

## Conversion au gaz naturel

### **⚠ AVERTISSEMENT**



#### Risque de basculement

**Un enfant ou une personne adulte peut faire basculer la cuisinière, ce qui peut causer un décès.**

**Fixer la bride antibasculement au plancher ou au mur, conformément aux instructions d'installation.**

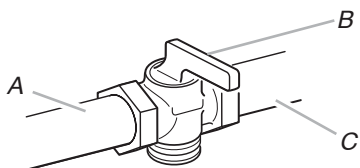
**Faire glisser de nouveau la cuisinière de façon à ce que le pied arrière de la cuisinière se trouve dans la fente de la bride antibasculement.**

**Réengager la bride antibasculement si la cuisinière a été déplacée.**

**Ne pas faire fonctionner la cuisinière si la bride antibasculement n'est pas installée et engagée.**

**Le non-respect de ces instructions peut causer un décès ou des brûlures graves aux enfants et aux adultes.**

1. Fermer le robinet d'arrêt manuel à la position fermée.



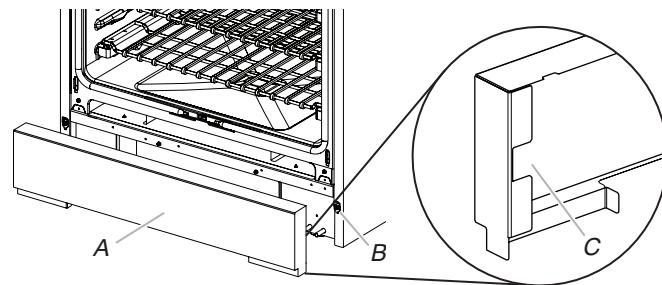
- A. Vers la cuisinière
- B. Robinet d'arrêt (position fermée)
- C. Canalisation d'alimentation en gaz

2. Débrancher la cuisinière ou déconnecter la source de courant électrique.

## Conversion du détendeur du gaz propane au gaz naturel

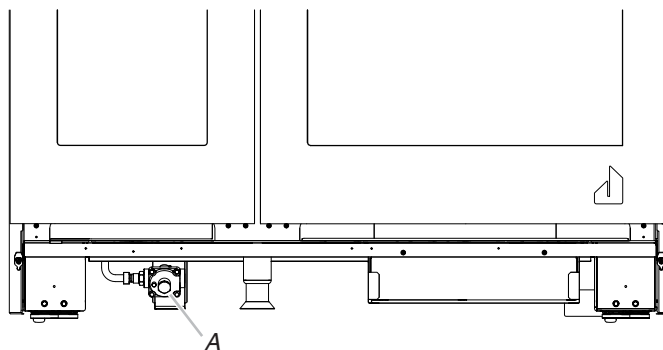
**REMARQUE :** La porte doit être enlevée pour enlever ou replacer la plinthe. Consulter la section "Retirer la porte".

1. Soulever la plinthe et le retirer des onglets de plinthe.



- A. Plinthe
- B. Onglet de plinthe
- C. Fente de plinthe

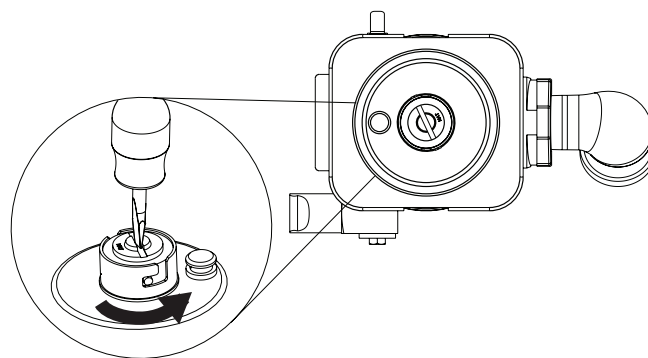
2. Placer la plinthe sur le côté avec précaution pour éviter d'érafler l'acier inoxydable.
3. Localiser le détendeur situé du côté arrière gauche de la cuisinière.



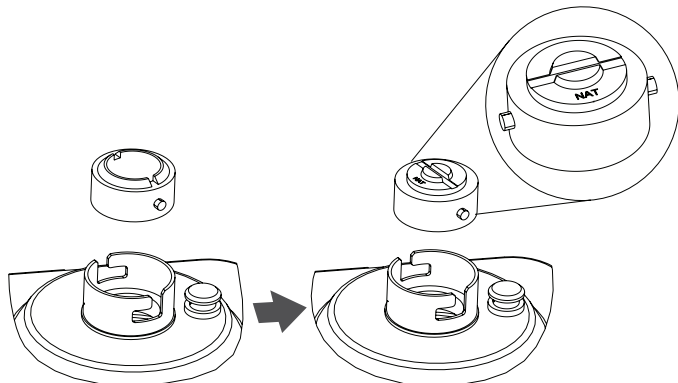
A. Détendeur

4. Retirer le chapeau du détendeur à l'aide d'un gros tournevis à lame plate en tournant le chapeau du détendeur dans le sens antihoraire.

**REMARQUE :** Ne pas enlever le ressort situé sous le chapeau.



- Retourner le chapeau du détendeur et le réinstaller sur le détendeur de façon à ce que l'extrémité creuse soit orientée vers l'extérieur et que les lettres "NAT" (naturel) soient visibles.



- Serrer le chapeau du détendeur à l'aide d'un gros tournevis à lame plate en tournant le chapeau du détendeur dans le sens horaire.
- Tester le détendeur et la canalisation de gaz.

On doit tester le détendeur sous une pression supérieure d'au moins 1 po (2,5 cm) à la pression de réglage. Pour le fonctionnement et le contrôle du réglage du détendeur, il faut que la pression d'admission au détendeur corresponde aux indications ci-dessous :

#### Gaz naturel :

Pression minimum : 6 po (15,2 cm) de colonne d'eau  
Pression maximum : 14 po (35,6 cm) de colonne d'eau

#### Essai de pression de la canalisation de gaz

On doit tester le détendeur sous une pression supérieure d'au moins 1 po (2,5 cm) à la pression de la tubulure de distribution indiquée sur la plaque signalétique.

#### Mise sous pression à une pression supérieure à 1/2 lb/po<sup>2</sup> (3,5 kPa) (14 po [35,6 cm] de colonne d'eau)

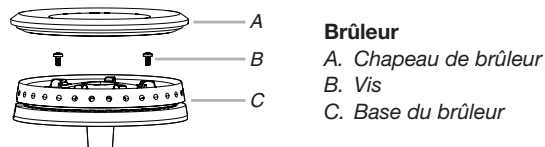
Lors de tout test de mise sous pression de ce système à une pression supérieure à 1/2 lb/po<sup>2</sup> (3,5 kPa), on doit déconnecter la cuisinière et son robinet d'arrêt individuel de la canalisation de gaz.

#### Mise sous pression à une pression de 1/2 lb/po<sup>2</sup> (3,5 kPa) (14 po [35,6 cm] de colonne d'eau) ou moins

Lors de tout test de mise sous pression de la canalisation de gaz à une pression égale ou inférieure à 1/2 lb/po<sup>2</sup> (3,5 kPa), on doit isoler la cuisinière de la canalisation de gaz par fermeture de son robinet d'arrêt manuel individuel.

## Conversion des brûleurs de surface du gaz propane au gaz naturel

- Si les grilles de brûleur sont installées, les retirer.
- Ôter le chapeau de brûleur.
- Retirer la base du brûleur en dévissant d'abord (2) vis T-20.



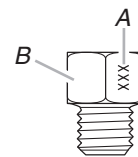
- Appliquer du ruban adhésif de masquage à l'extrémité d'un tourne-écrou de 1/4 po (7 mm) pour retenir le gicleur du brûleur dans le tourne-écrou durant l'extraction. Insérer le tourne-écrou dans l'ouverture de gaz, appuyer sur le gicleur et le retirer en le faisant tourner dans le sens antihoraire et en le soulevant. Conserver à part l'injecteur du brûleur.
- Remplacer le gicleur par un gicleur pour gaz naturel de taille correcte. Voir le "Tableau de sélection des gicleurs/injecteurs femelles pour gaz naturel".  
Suivre les indications du tableau ci-dessous pour déterminer l'emplacement exact de chaque gicleur de brûleur.

### Tableau de sélection des gicleurs/injecteurs femelles pour gaz naturel

| Puissance thermique   | Empreinte | Taille  | Style de brûleur          |
|-----------------------|-----------|---------|---------------------------|
| 9 200 BTUs            | 130       | 0,70 mm | Petit brûleur – principal |
|                       | 70        | 0,44 mm | Petit brûleur – mijotage  |
| 18 000 BTUs (ARRIÈRE) | 193       | 1,93 mm | Grand brûleur – principal |
|                       | 78        | 0,78 mm | Grand brûleur – mijotage  |
| 20 000 BTUs (AVANT)   | 203       | 2,03 mm | Grand brûleur – principal |
|                       | 78        | 0,78 mm | Grand brûleur – mijotage  |
| 16 000 BTUs           | 180       | 1,80 mm | Brûleur du grill          |

**REMARQUE :** Consulter la plaque signalétique pour obtenir plus de renseignements sur les capacités nominales du brûleur et les emplacements.

#### Gicleur de brûleur

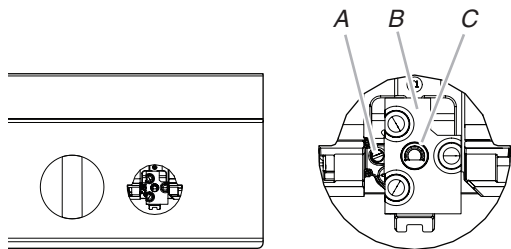


A. Marquage pour identification de la taille  
B. Marque de type de gaz (L ou N)

- Placer l'injecteur pour gaz propane dans le sachet en plastique contenant les pièces et conserver le tout avec le sachet de documentation pour pouvoir le réutiliser ultérieurement.
- Réinstaller la base du brûleur et les vis. Serrer les vis jusqu'à ce que le brûleur soit en affleurement avec la surface de cuisson, pas plus. Ne pas trop serrer.
- Réinstaller le chapeau de brûleur.
- Répéter les étapes 2 à 8 pour les autres brûleurs.

## Effectuer les réglages d'intensité faible du brûleur de surface au gaz naturel principal et de mijotage

1. Retirer les boutons de commande et encadrements du brûleur de surface (les boutons de commande du four et de la plaque n'ont pas besoin d'être enlevés).
2. Trouver la vis de réglage de mijotage faible situé dur l'encadrement du côté gauche du commutateur d'allumage.



- A. Vis de réglage de mijotage faible  
 B. Commutateur d'allumage  
 C. Vis de réglage d'intensité faible du brûleur principal (tige intérieure)

3. En mettant le brûleur en marche et sur le réglage Simmer Lo (mijotage faible), régler la flamme de mijotage au BTU approprié. À l'aide d'un tournevis à lame plate de 1/8 po x 4 1/4 po (3,2 mm x 108 mm), tourner la vis de réglage de mijotage faible dans le sens antihoraire jusqu'à ce que la flamme soit stable, ne tremblote pas ou ne semble pas courir autour du brûleur. Une fois la flamme stable, placer la puissance du brûleur sur le réglage de mijotage élevé. La flamme devrait augmenter d'environ 2 fois sa hauteur. Si ce n'est pas le cas, le réglage faible peut être placé plus bas tout en restant stable. Répéter cette étape pour tous les brûleurs de surface, sauf le brûleur de gril.

**REMARQUE :** Utiliser le bouton pour régler la valve du brûleur.

**REMARQUE :** Si la cuisinière est munie d'un gril à infrarouge, passer directement à la section de conversion d'un brûleur de gril IR.

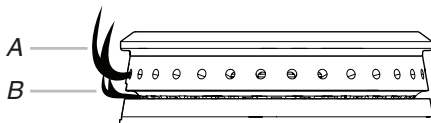
**REMARQUE :** Régler individuellement chaque brûleur.

4. Avec le brûleur éteint, utiliser le même tournevis à lame plate, tourner la vis de réglage d'intensité faible du brûleur principal de 120 à 135 degrés dans le sens antihoraire. Ceci permettra de modifier le réglage d'intensité faible du brûleur principal pour obtenir le bon niveau.
5. Replacer les encadrements à l'aide des 2 vis qui se fixent aux supports de valves.
6. Pousser les boutons de surface sur les tiges des valves.
7. Réinstaller les grilles des brûleurs.

## Hauteur de flamme

La flamme de la table de cuisson doit correspondre à une flamme bleue stable d'environ 1/4" (6,4 mm) de hauteur.

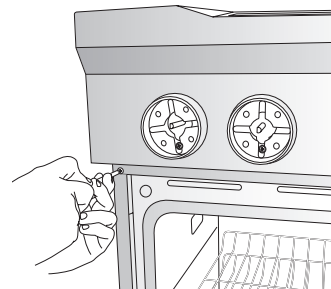
### Brûleur



- A. Flamme supérieure (principale)  
 B. Flamme inférieure (mijotage)

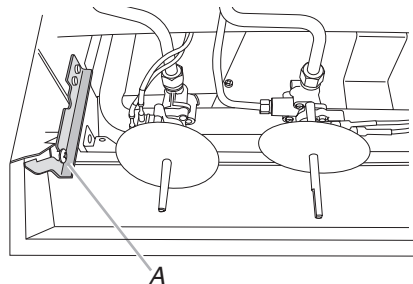
## Réglage de la taille des flammes :

1. Débrancher la cuisinière ou déconnecter la source de courant électrique.
2. Ôter les grilles de brûleur.
3. Ôter les boutons de commande.
4. Ouvrir la porte du four et ôter les deux vis qui maintiennent la console de commande en place de chaque côté de la cuisinière.



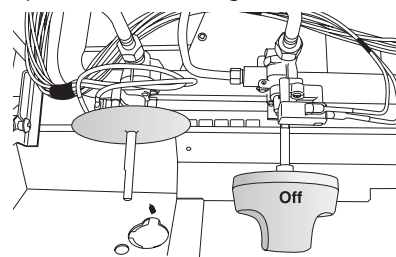
**REMARQUE :** Veiller à laisser la porte du four entrouverte, sans quoi la console de commande ne reposera pas correctement sur les brides latérales une fois détachée.

5. Tirer la console de commande vers le haut et la laisser retomber vers l'avant dans les brides à encoche de la console situées de chaque côté.

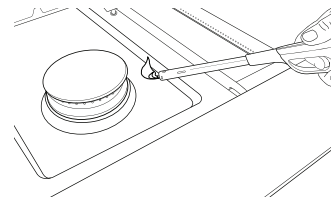


A. Brides de la console de commande

6. Placer un bouton de commande sur la tige de réglage du brûleur que l'on souhaite régler.

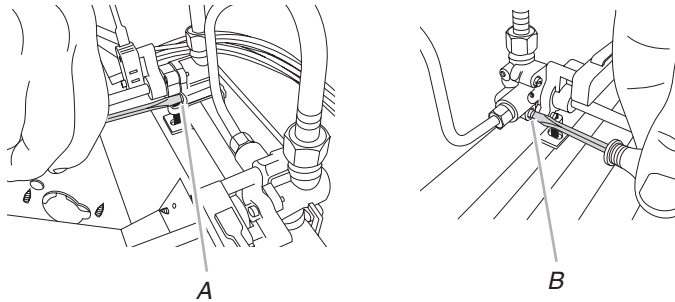


7. Tourner le bouton de commande à LO (faible) et allumer le brûleur avec un briquet à butane allongé.



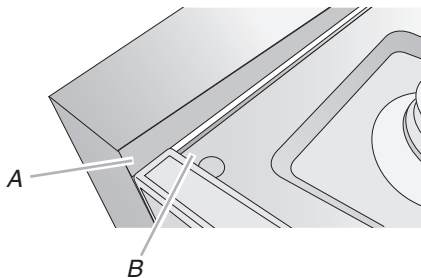
8. Ôter le bouton de commande.

9. Régler la hauteur de flamme à l'aide d'un tournevis à lame plate de 1/8" x 4¼" (3 mm x 100 mm). Serrer la vis pour réduire la hauteur de la flamme. Desserrer la vis pour augmenter la hauteur de flamme.



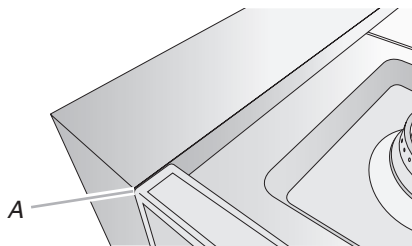
A. Vis de réglage du brûleur à flamme simple (du côté droit du robinet)  
B. Vis de réglage du brûleur à double flamme (du côté gauche du robinet)

10. Lorsque l'on a terminé de régler la hauteur de flamme, replacer le bouton de commande sur la tige de réglage du robinet et éteindre le brûleur.  
11. Ôter le bouton de commande.  
12. Répéter les étapes 6 à 13 pour tout autre brûleur nécessitant un réglage.  
13. Soulever la console de commande et la remettre en place. Pour que les deux soient bien emboîtées, le rebord de la console de commande doit se rabattre par-dessus la bordure de l'avant de la table de cuisson de la cuisinière.



A. Rebord de la console de commande  
B. Bordure avant de la table de cuisson de la cuisinière

14. Vérifier que la console de commande est en affleurement avec le bord supérieur de la cuisinière.

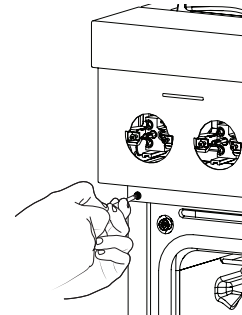


A. En affleurement avec le dessus de la cuisinière

15. Remettre en place les deux vis de chaque côté de la console de commande.  
16. Réinstaller les boutons de commande.  
17. Réinstaller les grilles des brûleurs.  
18. Tester la flamme en tournant le bouton de commande pour le faire passer de LO (basse) à HI (élevée) et observer les flammes pour chaque réglage.

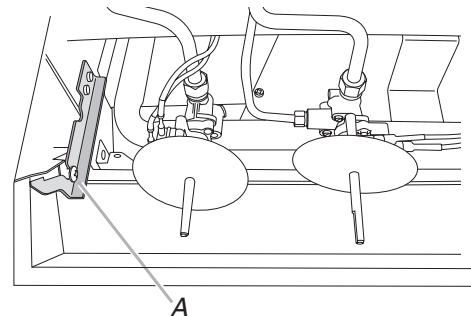
## Pour convertir un brûleur de grill IR au gaz naturel

1. Débrancher la cuisinière ou déconnecter la source de courant électrique.
2. Retirer le bouton de grill et l'encadrement. Les autres boutons de surface et encadrements devraient toujours être retirés de la cuisinière.
3. Ouvrir la porte du four et ôter les deux vis qui maintiennent la console de commande en place de chaque côté de la cuisinière.



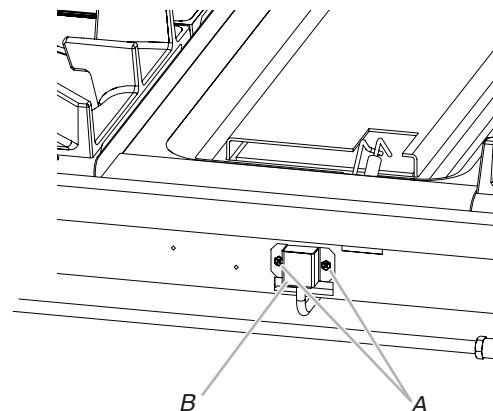
**REMARQUE :** Veiller à laisser la porte du four ouverte, sans quoi la console de commande ne reposera pas correctement sur les brides latérales une fois détachée.

4. Tirer la console de commande vers le haut et la laisser retomber vers l'avant dans les brides à encoche de la console situées de chaque côté.



A. Brides de la console de commande

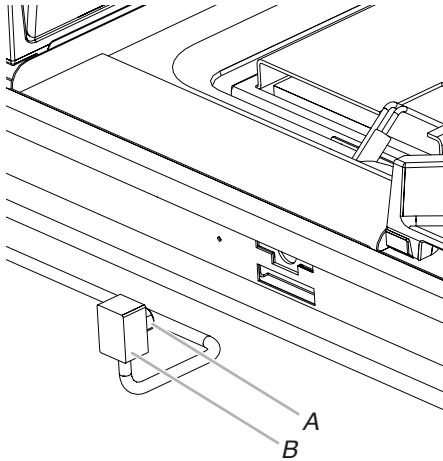
5. Retirer les deux vis maintenant en place le support de porte-gicteur de grill.



A. Vis  
B. Support de porte-gicteur de grill

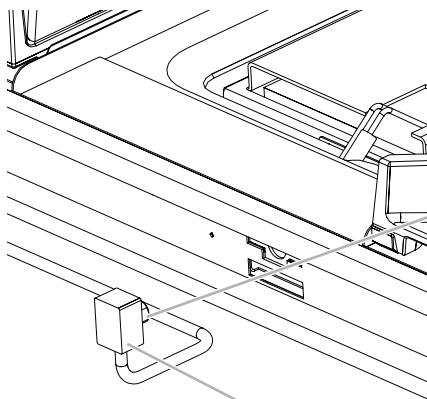


6. Sortir suffisamment le porte-gicleur de la boîte du gicleur pour permettre l'accès à l'orifice à l'aide d'une clé, mais en faisant très attention de ne pas plier le tuyau qui y est attaché.



A. Porte-gicleur du grill  
B. Support de porte-gicleur

7. À l'aide d'une clé à molette et d'une clé de 1/2 po (1,3 cm), retirer gicleur de brûleur au propane (L) et le remplacer par le bon gicleur de brûleur au gaz naturel (NG). Voir les tableaux de sélection des gicleurs pour gaz naturel.

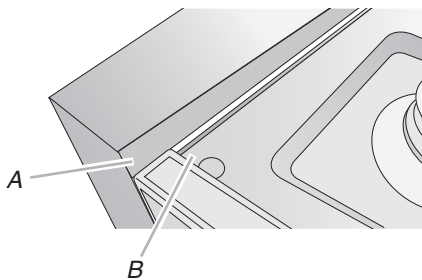


Utiliser une clé ouverte de 1/2 po (1,3 cm) pour enlever et remettre en place le gicleur

Tenir ici avec une clé à molette

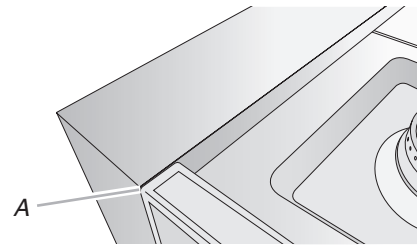
8. Replacer le porte-gicleur du grill dans la boîte du brûleur, puis le support de porte-gicleur et deux vis de support.  
9. Soulever la console de commande et la remettre en place. Pour que les deux soient bien emboîtées, le rebord de la console de commande doit se rabattre par-dessus la bordure de l'avant de la table de cuisson.

**REMARQUE :** Il pourrait être nécessaire de soulever les tiges de valves pour effectuer l'alignement avec les trous de la console.



A. Rebord de la console de commande  
B. Bordure avant la table de cuisson de la cuisinière

10. Vérifier que la console de commande est en affleurement avec le bord supérieur de la cuisinière.

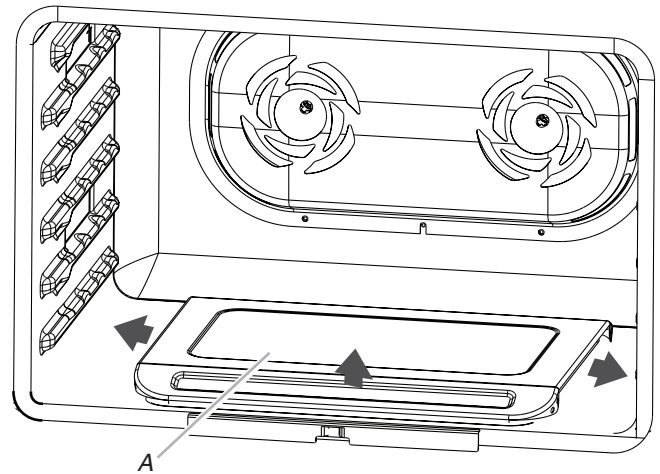


A. En affleurement avec le dessus de la cuisinière

11. Remettre en place les vis de chaque côté de la console de commande.  
12. Replacer les boutons de commandes et encadrements.  
13. Réinstaller les grilles des brûleurs.

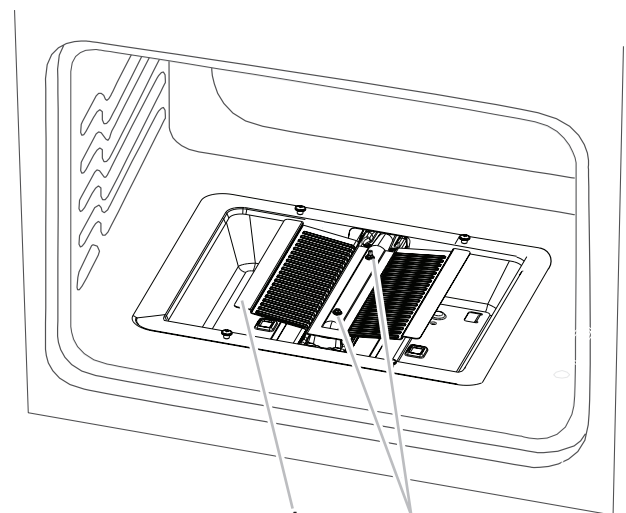
### Pour convertir le brûleur de cuisson au four (modèles de 30 po [76,2 cm] et de 36 po [91,4 cm] et la cavité du four de droite sur les modèles de 48 po [121,9 cm])

1. Faire glisser le couvercle du brûleur de cuisson au four vers la droite ou vers la gauche.



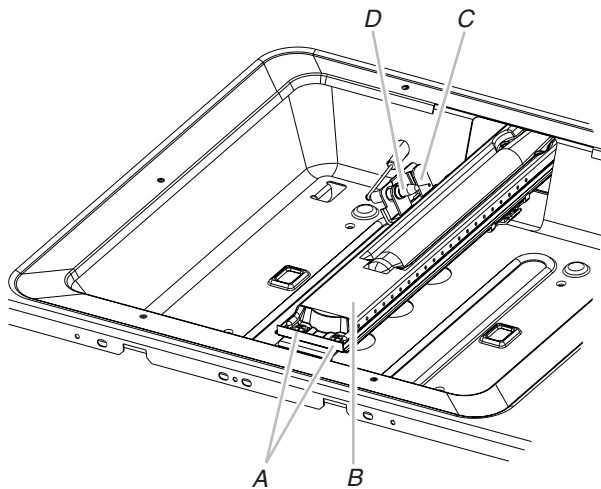
A. Couvercle du brûleur de cuisson au four

2. Retirer le couvercle de brûleur de cuisson au four en le soulevant et le mettre de côté.  
3. En utilisant un tournevis à douille de 1/4 po (6,4 mm), dévisser les écrous du déflecteur du four et retirer le déflecteur du four. Réserver.



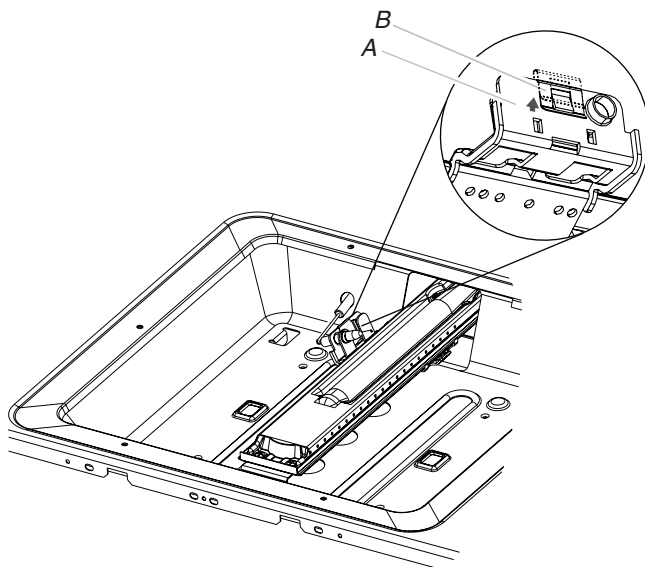
A. Déflecteur du four  
B. Écrous du déflecteur du four

4. Retirer les vis du brûleur de cuisson au four et le brûleur de cuisson au four et les mettre de côté avec précaution.



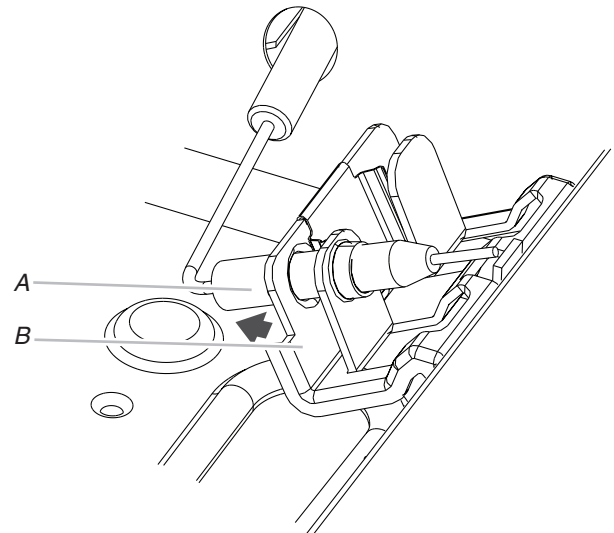
- A. Vis du brûleur de cuisson au four  
 B. Brûleur de cuisson au four  
 C. Support de l'électrode du brûleur de cuisson au four  
 D. Électrode du brûleur de cuisson au four

5. Soulever l'attache située sur le support de l'électrode du brûleur de cuisson au four avec le doigt ou avec un tournevis à lame plate puis retirer l'électrode.



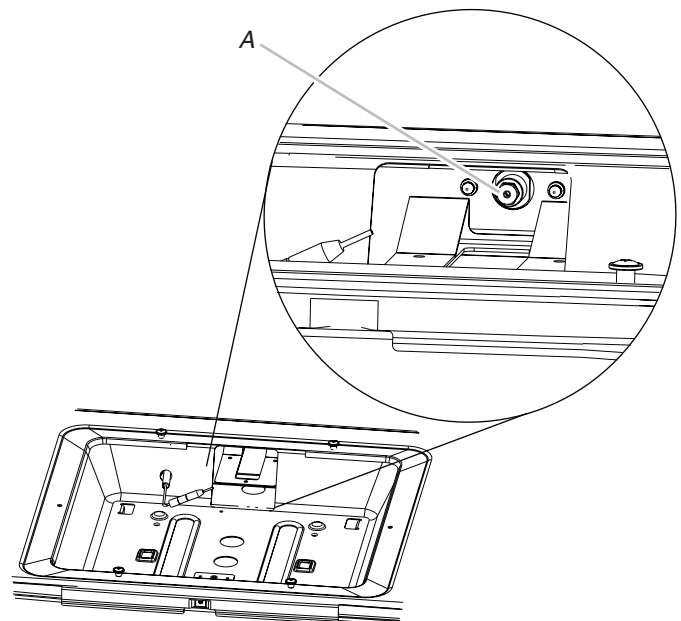
- A. Support de l'électrode du brûleur de cuisson au four  
 B. Attache du support de l'électrode

6. Dégager l'électrode du support.



- A. Saisir l'électrode ici.  
 B. Support

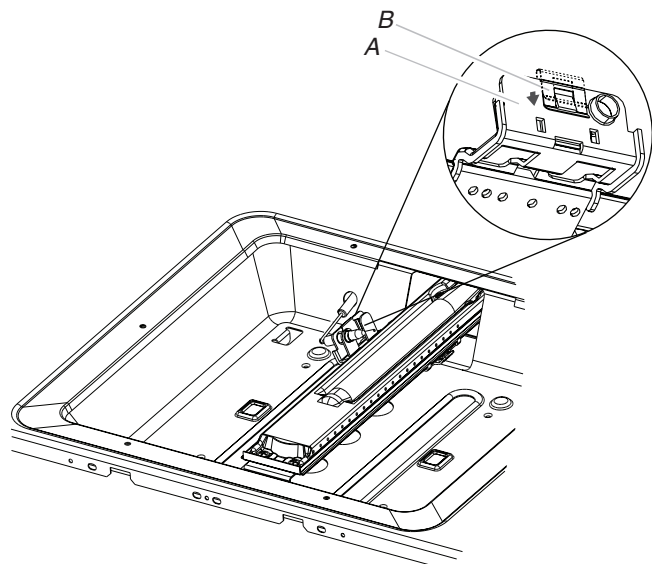
7. Appliquer du ruban adhésif de masquage à l'extrémité d'un tourne-écrou de 1/4 po (6,4 mm) pour retenir le gicleur du brûleur dans le tourne-écrou durant l'extraction. Insérer le tourne-écrou dans l'ouverture de gaz, appuyer sur le gicleur et le retirer en le faisant tourner dans le sens antihoraire et en le soulevant. Conserver à part le gicleur du brûleur.



- A. Gicleur

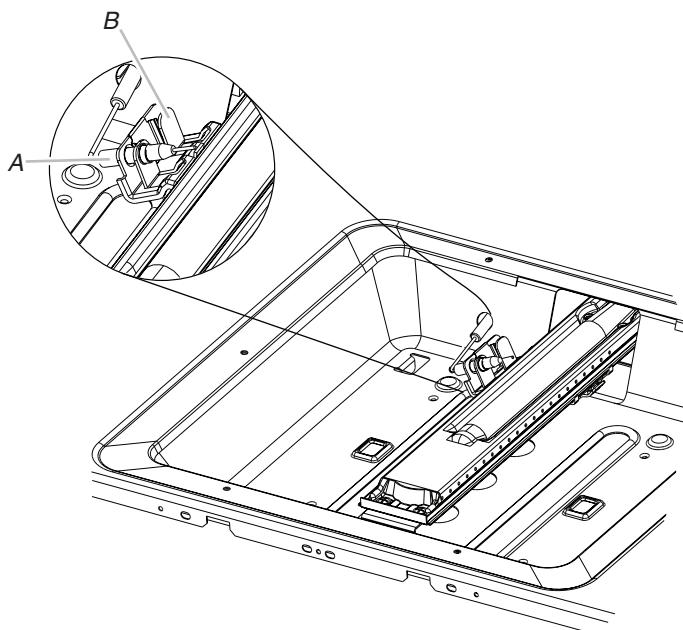
8. Les gicleurs portent une inscription – une lettre et un nombre. Installer le gicleur de brûleur de cuisson au four numéro 189.  
 9. Placer le gicleur pour gaz propane dans le sachet en plastique contenant les pièces et conserver le tout avec le sachet de documentation pour pouvoir le réutiliser ultérieurement.

10. Enfoncer l'attache sur le support de l'électrode.



A. Support de l'électrode du brûleur de cuisson au four  
B. Attache du support de l'électrode

11. Réinstaller l'électrode du brûleur de cuisson au four à l'intérieur du support.



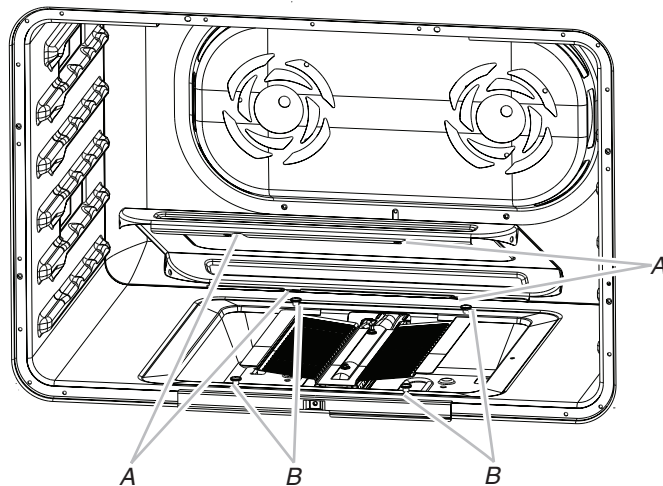
A. Électrode du brûleur de cuisson au four  
B. Support de l'électrode du brûleur de cuisson au four

12. Réinstaller le brûleur de cuisson au four et les vis du brûleur de cuisson au four. Voir l'étape 4 pour l'illustration.

13. Réinstaller le déflecteur du four et les écrous du déflecteur du four. Les orifices frontaux seront alignés et un clic retentira lorsque le déflecteur est appuyé.

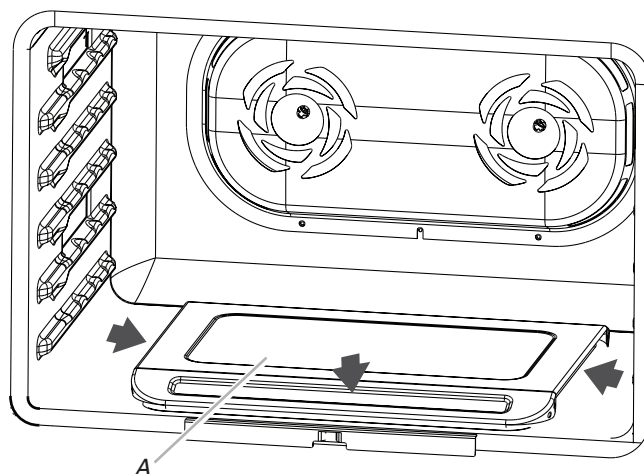
## Réinstaller le couvercle du brûleur de cuisson au four

1. Aligner les encoches du couvercle du brûleur de cuisson au four avec les vis à épaulement dans le fond du four.



A. Encoches de couvercle (4)  
B. Vis à épaulement (4)

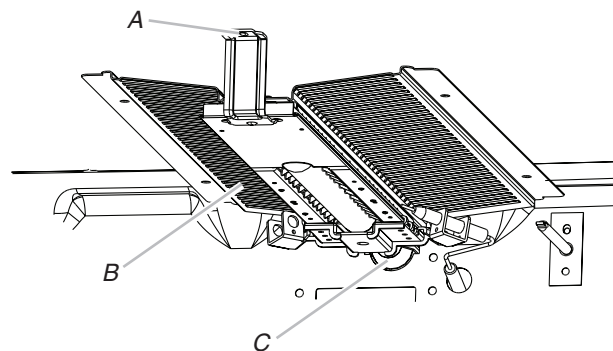
2. Abaisser le couvercle et le faire glisser vers la gauche ou vers la droite pour faire glisser les vis à épaulement dans les extrémités étroites des encoches puis emboîter le tout.



A. Encoches de couvercle (4)

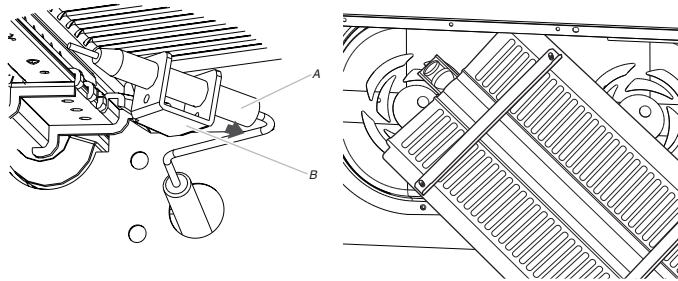
**Pour convertir le brûleur de cuisson au grill (modèles de 30 po [76,2 cm] et de 36 po [91,4 cm] et la cavité du four de droite sur les modèles de 48 po [121,9 cm])**

1. En utilisant un tournevis à douille de 1/4 po (6,4 mm), retirer la vis du brûleur du grill. Placer de côté avec l'allumeur latéral placé sur la droite.



A. Vis du brûleur de cuisson au grill  
B. Brûleur de cuisson au grill  
C. Orifice du gicleur de brûleur de cuisson au grill

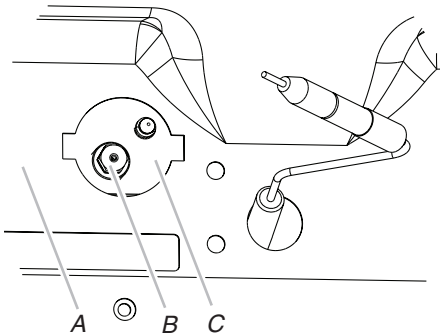
2. Tirer le brûleur de cuisson au grill vers soi jusqu'à ce qu'il ressorte de l'orifice à l'arrière du four puis dégager l'électrode du support. Le brûleur de cuisson au grill pend à l'arrière du four pendant que l'on change le gicleur.



A. Saisir l'électrode ici.  
B. Support

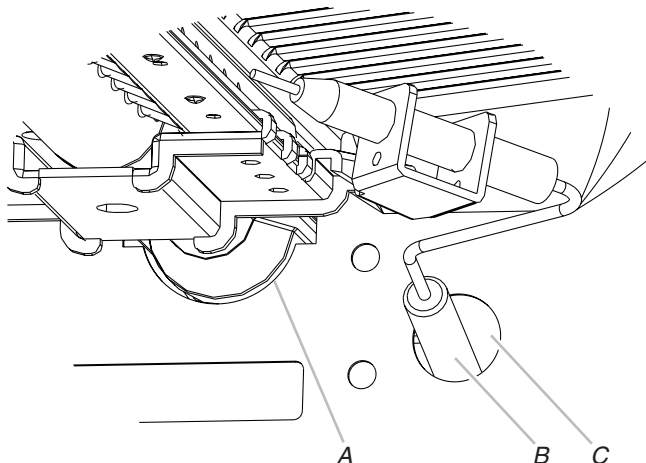
Le brûleur de grill pend à l'arrière du four

3. Appliquer du ruban adhésif de masquage à l'extrémité d'un tourne-écrou de 1/4 po (6,4 mm) pour retenir le gicleur du brûleur dans le tourne-écrou durant l'extraction. Insérer le tourne-écrou dans l'ouverture de gaz, appuyer sur le gicleur et le retirer en le faisant tourner dans le sens antihoraire et en le soulevant. Conserver à part le gicleur du brûleur.



A. Arrière du four  
B. Gicleur du brûleur de cuisson au grill  
C. Orifice du gicleur de brûleur de cuisson au grill

4. Les gicleurs portent une inscription – une lettre et un nombre. Installer le gicleur de brûleur de cuisson au grill numéro 148.
5. Placer le gicleur pour gaz propane dans le sachet en plastique contenant les pièces et conserver le tout avec le sachet de documentation pour pouvoir le réutiliser ultérieurement.
6. Replacer le brûleur de cuisson au grill dans l'orifice à l'arrière du four avec l'électrode du brûleur de cuisson au grill à l'intérieur de l'orifice du brûleur de cuisson au grill, tel qu'illustré.

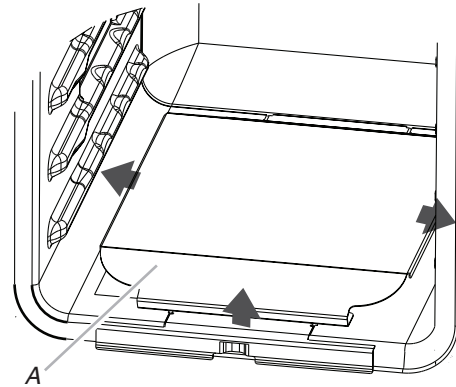


A. Orifice du gicleur de brûleur de cuisson au grill  
B. Électrode du brûleur de cuisson au grill  
C. Orifice de l'électrode du brûleur de cuisson au grill

7. Réinstaller la vis du brûleur de cuisson au grill. Voir l'étape 1 pour l'illustration. Les vis sont alignées avec l'orifice, lorsqu'un clic se fait entendre.

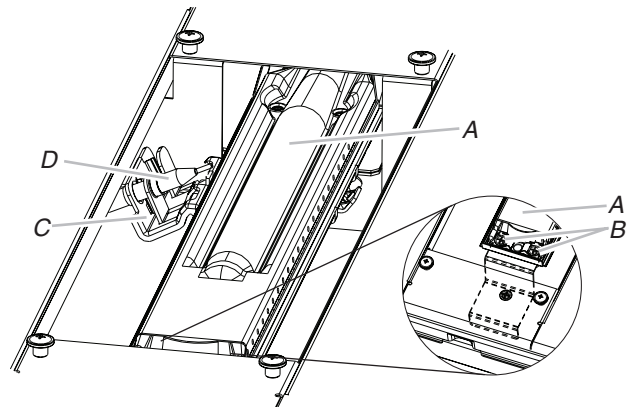
### Pour convertir le brûleur de cuisson au four (cavité du four de gauche sur les modèles de 48 po [121,9 cm])

1. Ôter les grilles du four. Voir la section "Ôter les grilles".
2. Enlever la porte. Voir la section "Enlever la porte du four". Slide the bake burner cover to the right or left.
3. Faire glisser le couvercle du brûleur de cuisson au four vers la droite ou vers la gauche.



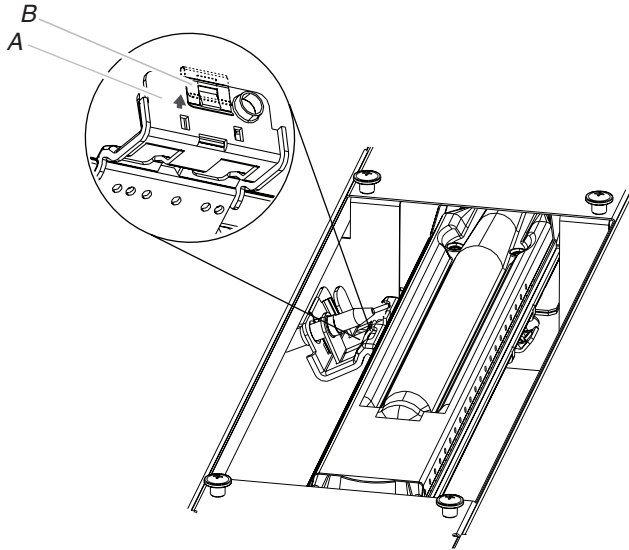
A. Brûleur de cuisson au four – couvercle

4. Retirer le couvercle de brûleur de cuisson au four en le soulevant et le mettre de côté.
5. Retirer les vis du brûleur de cuisson au four et le brûleur de cuisson au four et les mettre de côté avec précaution.



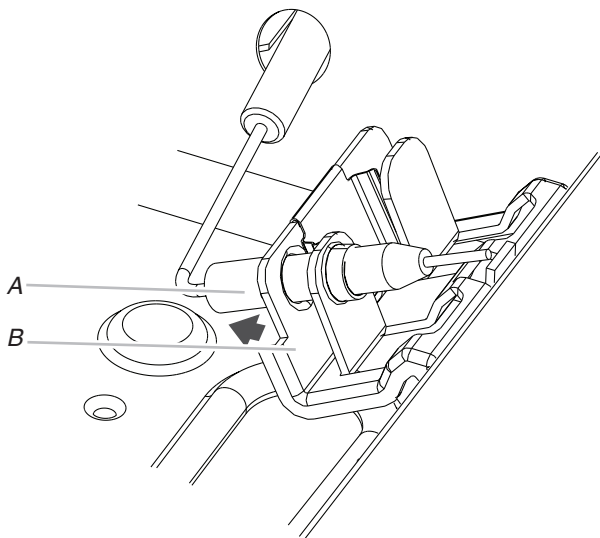
A. Brûleur de cuisson au four  
B. Vis du brûleur de cuisson au four  
C. Support de l'électrode du brûleur de cuisson au four  
D. Électrode du brûleur de cuisson au four

6. Soulever l'attache située sur le support de l'électrode du brûleur de cuisson au four avec le doigt ou avec un tournevis plat puis retirer l'électrode.



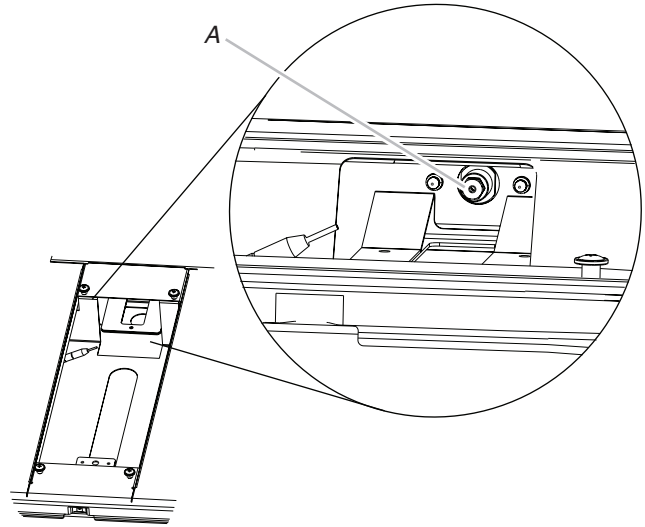
A. Support de l'électrode du brûleur de cuisson au four  
B. Attache du support de l'électrode

7. Dégager l'électrode du support.



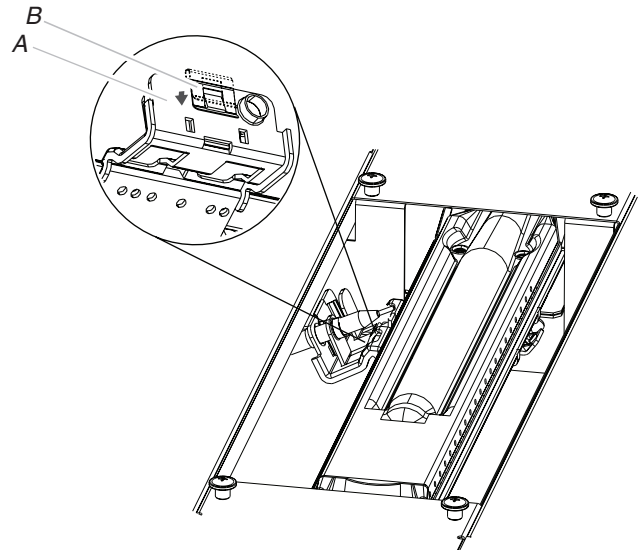
A. Saisir l'électrode ici.  
B. Support

8. Appliquer du ruban adhésif de masquage à l'extrémité d'un tourne-écrou de 1/4 po (6,4 mm) pour retenir le gicleur du brûleur dans le tourne-écrou durant l'extraction. Insérer le tourne-écrou dans l'ouverture de gaz, appuyer sur le gicleur et le retirer en le faisant tourner dans le sens antihoraire et en le soulevant. Conserver à part le gicleur du brûleur.



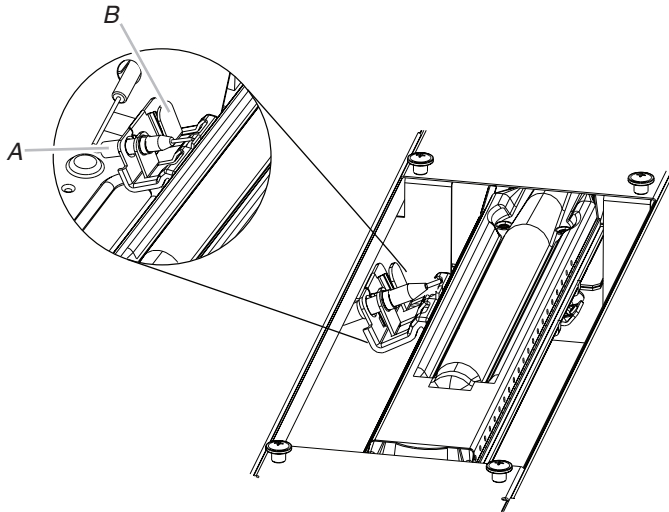
A. Gicleur

9. Les gicleurs portent une inscription – une lettre et un nombre. Installer le gicleur de brûleur de cuisson au four numéro 154.
10. Placer le gicleur pour gaz propane dans le sachet en plastique contenant les pièces et conserver le tout avec le sachet de documentation pour pouvoir le réutiliser ultérieurement.
11. Enfoncer l'attache sur le support de l'électrode.



A. Support de l'électrode du brûleur de cuisson au four  
B. Attache du support de l'électrode

12. Réinstaller l'électrode du brûleur de cuisson au four à l'intérieur du support.

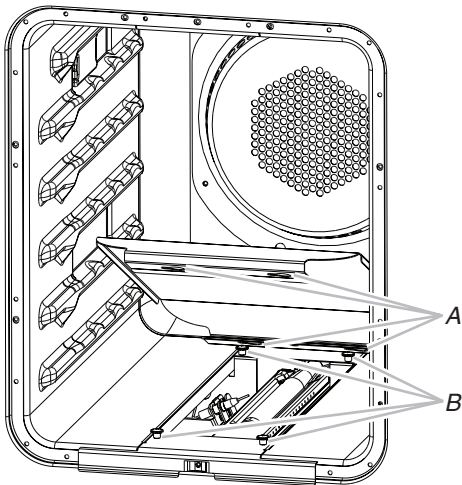


A. Électrode du brûleur de cuisson au four  
B. Support de l'électrode du brûleur de cuisson au four

13. Réinstaller le brûleur de cuisson au four et les vis du brûleur de cuisson au four. Voir l'étape 5 pour l'illustration.

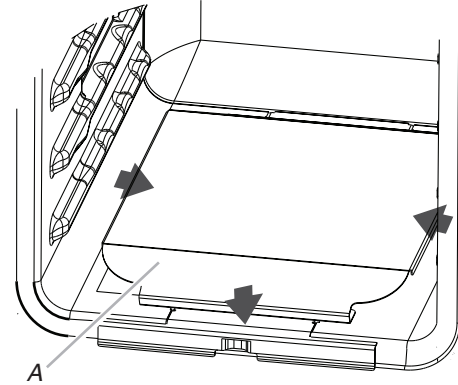
### Réinstaller le couvercle du brûleur de cuisson au four

1. Aligner les trous de montage des vis à épaulement (encoches allongées) du couvercle de brûleur de cuisson au four avec les vis à épaulement dans le fond du four.



A. Trous de montage (encoches allongées) de vis à épaulement  
B. Vis à épaulement

2. Abaisser le couvercle et le faire glisser vers la gauche ou vers la droite pour faire glisser les vis à épaulement dans les extrémités étroites des encoches allongées puis emboîter le tout.



A. Brûleur de cuisson au four – couvercle

### Terminer l'installation

1. Consulter la section "Effectuer le raccordement au gaz" pour savoir comment bien raccorder la cuisinière à l'entrée de gaz.
2. Pour l'allumage et l'utilisation corrects du brûleur, ainsi que le réglage des flammes sur le brûleur, voir la section "Système d'allumage électronique".

**IMPORTANT:** Il peut être nécessaire de modifier le réglage des flammes à la position du débit thermique minimum "LO" (basse) pour chaque brûleur de la cuisinière.

Il est très important de vérifier que les flammes sont correctes sur les brûleurs de la cuisinière. Le petit cône interne doit comporter une flamme bleue très distincte de 1/4 po (6,4 mm) à 1/2 po (1,3 cm) de long. Le cône extérieur n'est pas aussi net que le cône intérieur. Les flammes produites par le gaz propane ont une pointe légèrement jaune.

3. Voir le point "Terminer l'installation" de la section "Instructions d'installation" du présent manuel pour achever cette procédure.

---

## Remarques

