

PRODUCT MODEL NUMBERS

JCB2488MT JCB2585WE JCB2588WE
 JCB2581WE JCB2582WT

Electrical: A 115-Volt, 60-Hz, AC-only, 15- or 20-amp fused, grounded electrical supply is required. It is recommended that a separate circuit serving only your refrigerator be provided. Use an outlet that cannot be turned off by a switch. Do not use an extension cord.

Water Supply: A cold water supply with water pressure of between 30 and 120 psi (207 and 827 kPa) is required to operate the water dispenser and ice maker. If you have questions about your water pressure, call a licensed, qualified plumber.

IMPORTANT: The pressure of the water supply coming out of a reverse osmosis system going to the water inlet valve of the refrigerator needs to be between 30 and 120 psi (207 and 827 kPa).

If a reverse osmosis water filtration system is connected to your cold water supply, the water pressure to the reverse osmosis system needs to be a minimum of 40 to 60 psi (276 to 414 kPa).

The cabinet depth refrigerator can be installed into a recessed opening, at the end of cabinets or as a freestanding refrigerator.

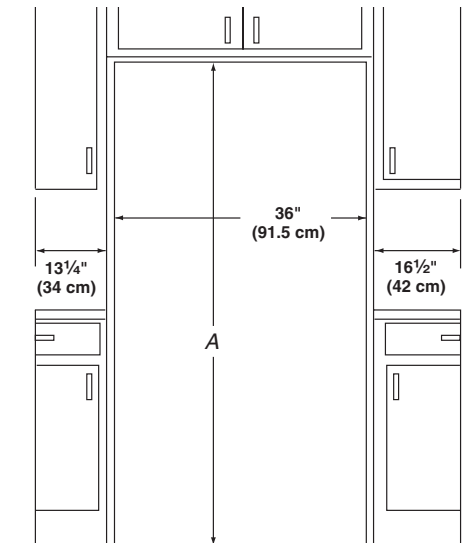
Do not install the refrigerator near an oven, radiator, or other heat source, nor in a location where the temperature will fall below 55°F.

CABINET OPENING DIMENSIONS

■ Height dimensions are shown with the leveling legs extended to the minimum height of ¼" (6.35 mm) below the refrigerator.

NOTE: When leveling legs are fully extended to 1" (25 mm) below the refrigerator, add ¾" (19 mm) to the height dimensions.

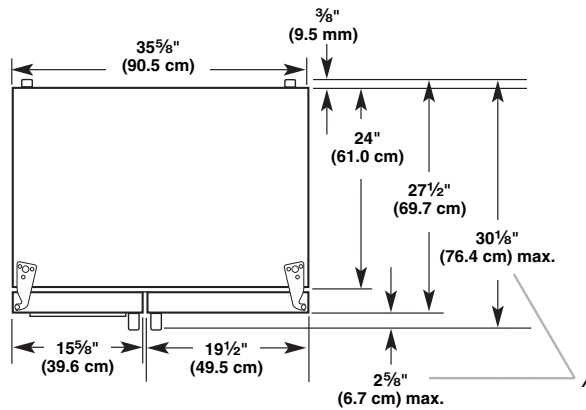
■ Minimum fixed wall position is 13¼" (34 cm) from the freezer door and 16½" (42 cm) from the refrigerator door.



Model size	Height "A" Standard Cabinet	Height "A" Full-overlay*
23 cu.ft. (654 L)	69" (175.3 cm)	69½" (175.6 cm)
25 cu.ft. (694 L)	72" (182.9 cm)	72½" (183.2 cm)

*For full-overlay cabinet doors with a trim kit, the opening height must be adjusted as shown.

PRODUCT DIMENSIONS



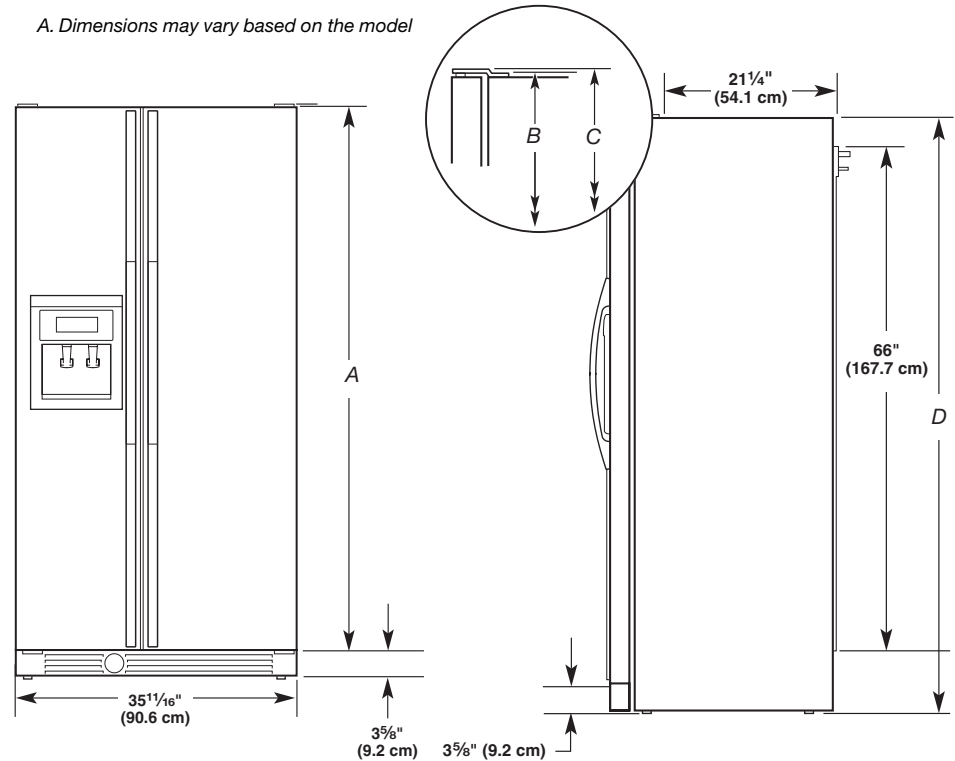
■ Height dimensions are shown with the leveling legs extended to the minimum height of ¼" (6.35 mm) below the refrigerator.

When leveling legs are fully extended to 1" (25 mm) below the refrigerator, add ¾" (19 mm) to the height dimensions.

■ The power cord is 66" (167.7 cm) long.

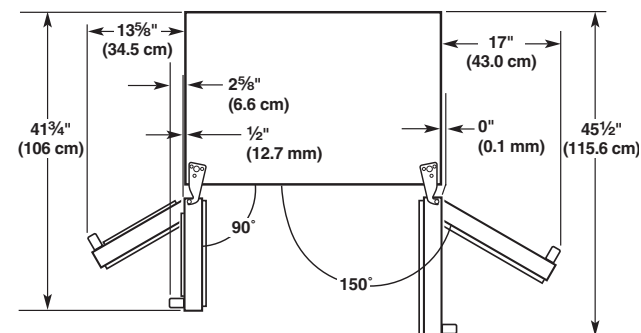
■ The water line attached to the back of the refrigerator is 78" (198.1 cm) long.

A. Dimensions may vary based on the model



Model size	Door Height "A"	"B"	"C"	"D"
23 cu.ft. (654 L)	64¾" (164.8 cm)	68¾" (174.6 cm)	68⅞" (175.0 cm)	68½" (174.0 cm)
25 cu.ft. (694 L)	67¼" (172.1 cm)	71¾" (182.2 cm)	71⅞" (182.5 cm)	71½" (181.6 cm)

DOOR SWING DIMENSIONS



Location must permit doors to open to a minimum of 150°. Allow 13¼" (34 cm) minimum space between the side wall and the freezer side of the refrigerator. Allow 16½" (42 cm) minimum space between the side wall and the refrigerator side.

NOTE: Dimensions may vary based on model.