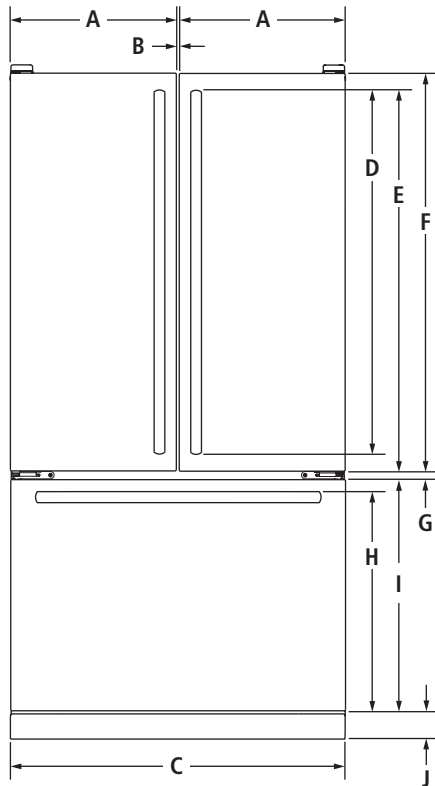


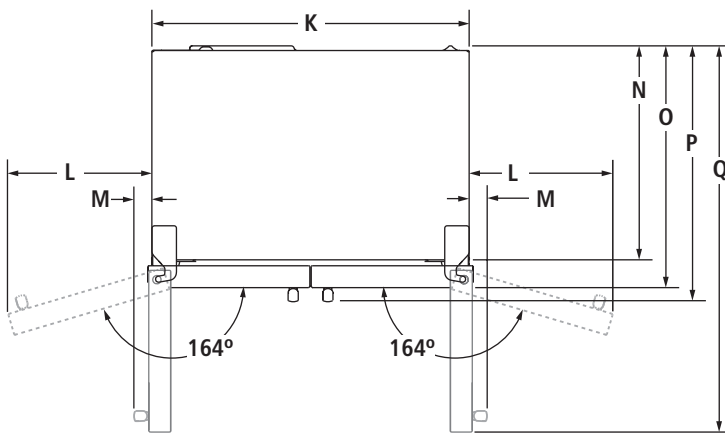
69" COUNTER-DEPTH FRENCH DOOR REFRIGERATOR WITH INTERNAL DISPENSER

JFC2089WE – 35⁵/₈" x 69³/₄" x 28³/₄"

PRODUCT DIMENSIONS



FRONT VIEW



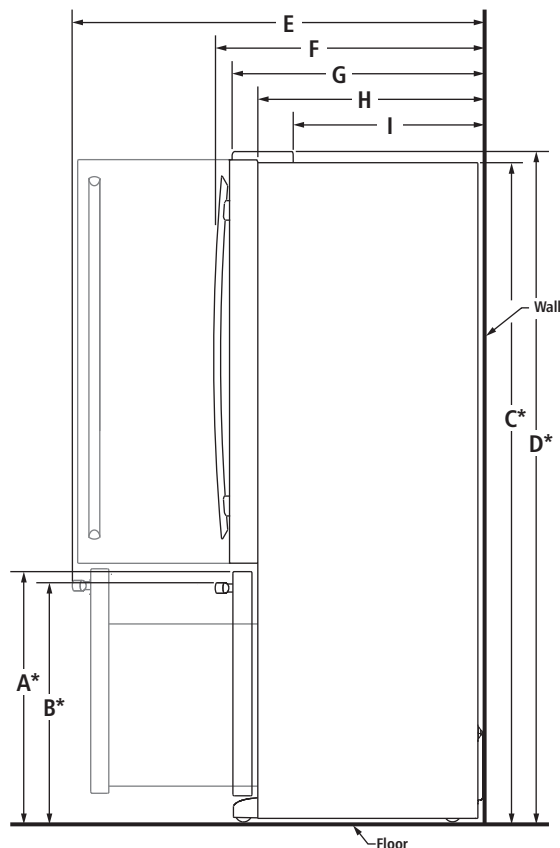
TOP VIEW

MODEL #		JFC2089WE	
		in	cm
A	Width of each door	17 ⁵ / ₈	44.8
B	Space between doors	1/4	0.6
C	Overall width	35 ⁵ / ₈	90.5
D	Height of door handles Pro-Style® Stainless	33 ¹ / ₄	84.5
	Euro-Style Stainless	37 ⁵ / ₈	95.6
E	Height to top of door handles Pro-Style® Stainless	37 ¹ / ₄	94.6
	Euro-Style Stainless	39 ³ / ₈	100.0
F	Height of doors	41 ¹ / ₈	104.5
G	Space between doors and drawer	7/8	2.2
H	Height to top of drawer handle Pro-Style® Stainless	22 ⁷ / ₈	58.1
	Euro-Style Stainless	22 ⁵ / ₈	57.5
I	Height of drawer	23 ⁷ / ₈	60.6
J	Height of grille	2 ⁷ / ₈	7.3
K	Width of recessed refrigerator	35 ⁵ / ₈	90.5
L	Width from side of refrigerator to door fully open 164°	15 ⁷ / ₈	40.3
M	Width from side of refrigerator to handle – door open 90° Pro-Style® Stainless	2 ⁷ / ₈	7.3
	Euro-Style Stainless	1 ⁷ / ₈	4.8
N	Depth without doors	24	61.0
O	Depth with doors	26 ³ / ₄	67.9
P	Depth with handles Pro-Style® Stainless	29 ³ / ₈	74.6
	Euro-Style Stainless	28 ³ / ₄	73.0
Q	Depth with doors open 90°	43 ¹ / ₄	109.9

69" COUNTER-DEPTH FRENCH DOOR REFRIGERATOR WITH INTERNAL DISPENSER

JFC2089WE – 35⁵/₈" x 69³/₄" x 28³/₄"

DIMENSIONS AS INSTALLED



SIDE VIEW

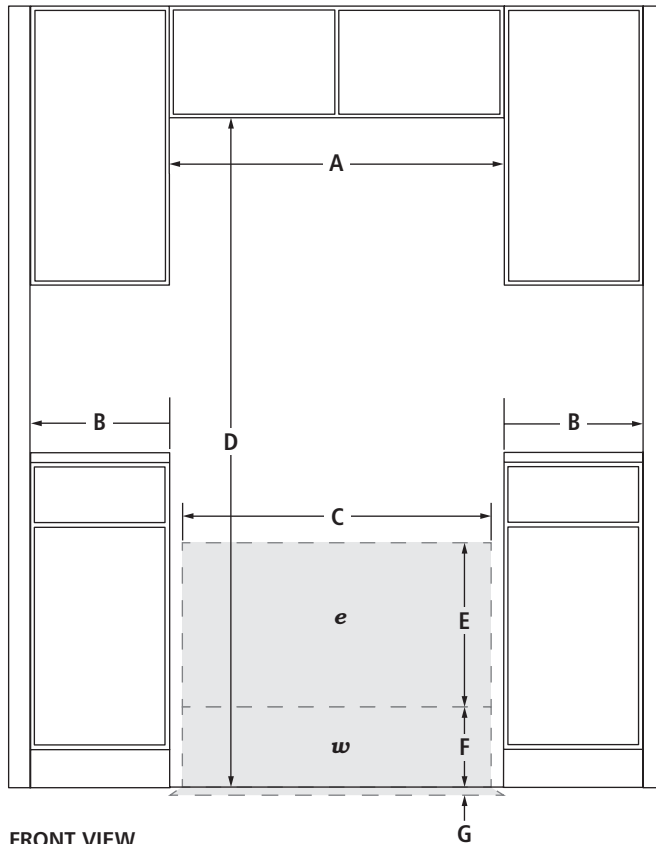
MODEL #		JFC2089WE	
		in	cm
A*	Height to top of drawer (min.)	26 ⁷ / ₈	68.3
B*	Height to top of drawer handle (min.)		
	Pro-Style® Stainless	25 ⁷ / ₈	65.7
	Euro-Style Stainless	25 ⁵ / ₈	65.1
C*	Height of recessed refrigerator (min.)	68 ¹ / ₂	174.0
D*	Height to top of hinges (min.)	69 ³ / ₄	177.2
E	Depth with drawer fully open including drawer handle (min.)		
	Pro-Style® Stainless	44 ¹ / ₂	113.0
	Euro-Style Stainless	43 ⁷ / ₈	111.4
F	Depth with handles (min.)		
	Pro-Style® Stainless	29 ³ / ₈	74.6
	Euro-Style Stainless	28 ³ / ₄	73.0
G	Depth with doors (min.)	26 ³ / ₄	67.9
H	Depth without doors (min.)	24	61.0
I	Depth to back of hinges (min.)	20 ¹ / ₄	51.4

*Add 3/4" (1.9 cm) to the height dimension when leveling legs are fully extended.

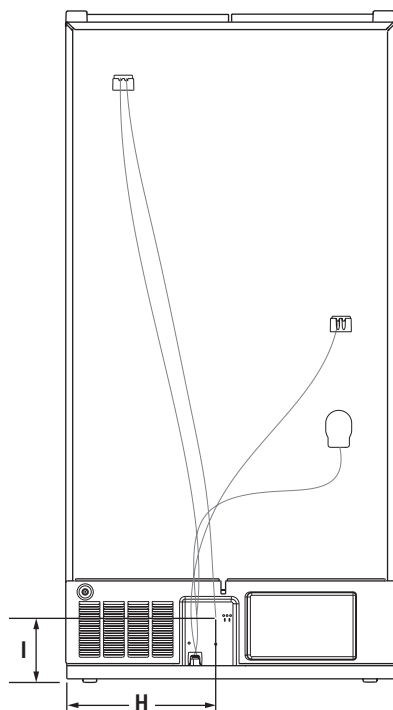
69" COUNTER-DEPTH FRENCH DOOR REFRIGERATOR WITH INTERNAL DISPENSER

JFC2089WE – 35⁵/₈" x 69³/₄" x 28³/₄"

OPENING/CLEARANCE DIMENSIONS



FRONT VIEW



BACK VIEW

MODEL #		JFC2089WE	
		in	cm
A	Width (min.)	36 ⁵ / ₈	93.0
B	Minimum width from side of refrigerator to fixed wall – door open 90° (full access to remove bins)	1 ⁷ / ₈	4.8
	Minimum width from side of refrigerator to fixed wall – door fully open 164°	15 ⁷ / ₈	40.3
C	Width of recommended electrical/ water installation area	34	86.4
D	Height (min.)	70 ¹ / ₄	178.4
E	Height of recommended electrical installation area (min.-max.)	10-24	25.4-61.0
F	Height of recommended water installation area	10	25.4
G	Depth of recommended water installation area	1	2.5
H	Water line location – distance from side	24 ⁵ / ₈	62.5
I	Water line location – distance from bottom	9 ³ / ₈	23.8
e	Recommended electrical connection location		
w	Recommended water connection location		

ELECTRICAL REQUIREMENTS

115 volt, 60 Hz, AC only, 15- or 20-amp fused, grounded circuit is required. A dedicated circuit is recommended. Use an outlet that cannot be turned off by a switch.

Minimum length of power cord is 60" (152.0 cm). Do not use an extension cord.

WATER PRESSURE REQUIREMENTS

A cold water supply with water pressure between 30 and 120 psi (207 and 827 kPa) is required to operate the water dispenser and ice maker. Call a licensed, qualified plumber with any questions about the water pressure.

Reverse Osmosis Water Supply

IMPORTANT: The pressure of the water coming out of a reverse osmosis system going to the water inlet valve of the refrigerator needs to be between 30 and 120 psi (207 and 827 kPa).

If a reverse osmosis water filtration system is connected to the cold water supply, the water pressure to the reverse osmosis system needs to be a minimum of 40 to 60 psi (276 to 414 kPa).