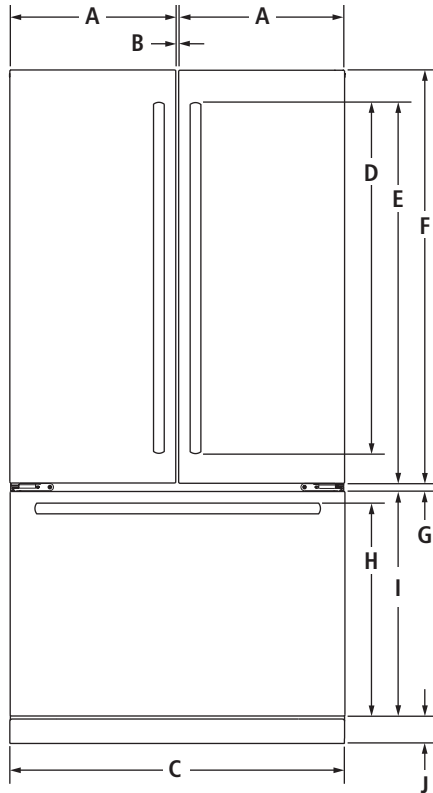


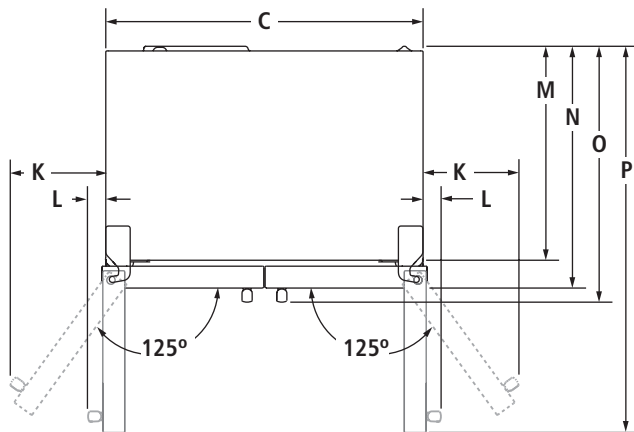
72" COUNTER-DEPTH FRENCH DOOR REFRIGERATOR WITH INTERNAL DISPENSER

JFC2290VE – 35⁵/₈" x 71⁷/₈" x 29⁵/₈"

PRODUCT DIMENSIONS



FRONT VIEW



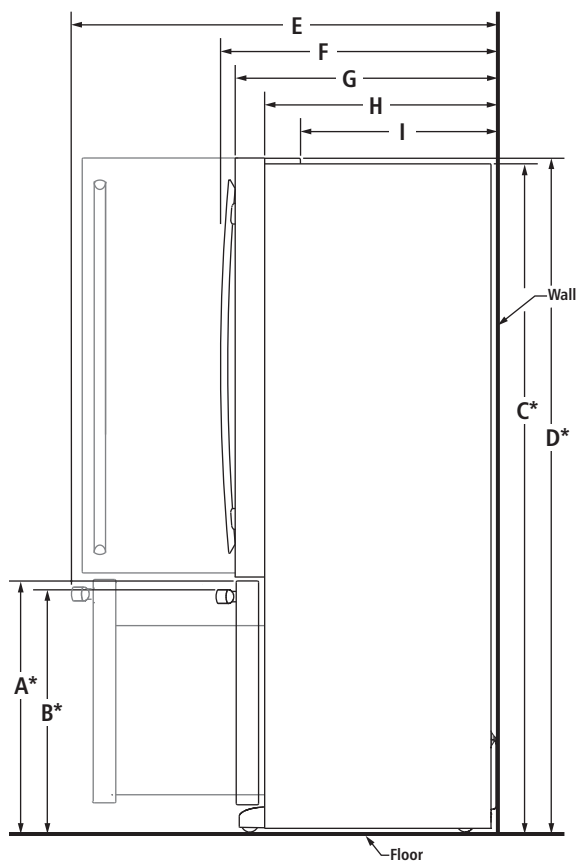
TOP VIEW

MODEL #		JFC2290VE	
		in	cm
A	Width of each door	17 ⁵ / ₈	44.8
B	Space between doors	³ / ₈	1.0
C	Overall width	35 ⁵ / ₈	90.5
D	Height of door handles		
	Pro-Style® Stainless	33 ¹ / ₄	84.5
	Euro-Style Stainless	37 ⁵ / ₈	95.6
E	Height to top of door handles		
	Pro-Style® Stainless	38 ⁵ / ₈	98.1
	Euro-Style Stainless	40 ⁷ / ₈	103.8
F	Height of doors	44 ¹ / ₈	112.1
G	Space between doors and drawer	1	2.5
H	Height to top of drawer handle		
	Pro-Style® Stainless	22 ⁷ / ₈	58.1
	Euro-Style Stainless	22 ⁵ / ₈	57.5
I	Height of drawer	23 ⁷ / ₈	60.6
J	Height of grille	2 ⁷ / ₈	7.3
K	Width from side of refrigerator to handle – door fully open 125°		
	Pro-Style® Stainless	10 ⁷ / ₈	27.6
	Euro-Style Stainless	10 ³ / ₈	26.4
L	Width from side of refrigerator to handle – door open 90°		
	Pro-Style® Stainless	2 ⁵ / ₈	6.7
	Euro-Style Stainless	2	5.1
M	Depth without doors	24 ¹ / ₂	62.2
N	Depth with doors	27 ⁵ / ₈	70.2
O	Depth with handles		
	Pro-Style® Stainless	30 ¹ / ₄	76.8
	Euro-Style Stainless	29 ⁵ / ₈	75.2
P	Depth with doors open 90°	44	111.8

72" COUNTER-DEPTH FRENCH DOOR REFRIGERATOR WITH INTERNAL DISPENSER

JFC2290VE – 35⁵/₈" x 71⁷/₈" x 29⁵/₈"

DIMENSIONS AS INSTALLED



SIDE VIEW

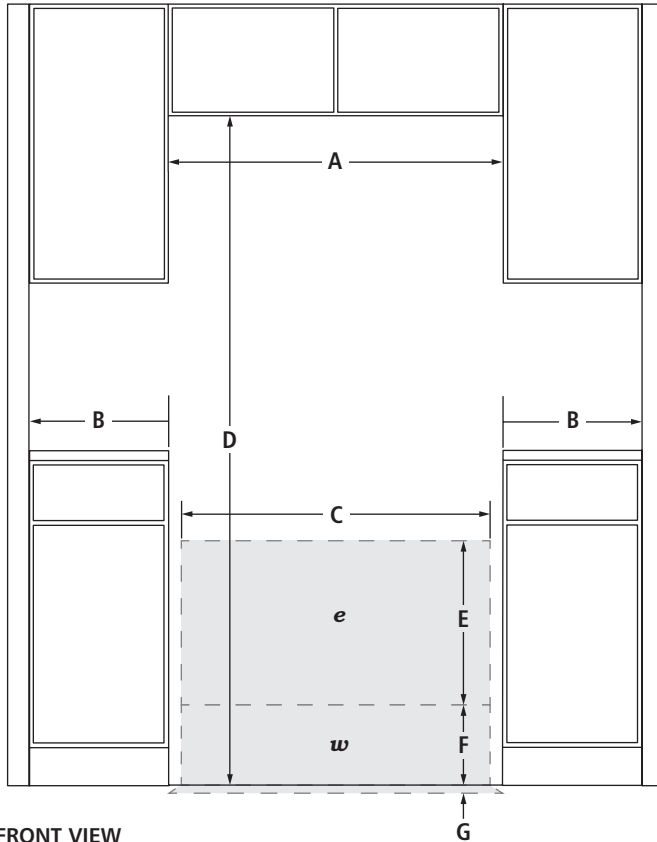
MODEL #		JFC2290VE	
		in	cm
A*	Height to top of drawer (min.)	26 ³ / ₄	67.9
B*	Height to top of drawer handle (min.)		
	Pro-Style® Stainless	25 ³ / ₄	65.4
	Euro-Style Stainless	25 ¹ / ₂	64.8
C*	Height of recessed refrigerator (min.)	71 ¹ / ₄	181.0
D*	Height to top of hinges (min.)	71 ⁷ / ₈	182.6
E	Depth with drawer fully open including drawer handle (min.)		
	Pro-Style® Stainless	45 ³ / ₈	115.3
	Euro-Style Stainless	44 ³ / ₄	113.7
F	Depth with handles (min.)		
	Pro-Style® Stainless	30 ¹ / ₄	76.8
	Euro-Style Stainless	29 ⁵ / ₈	75.2
G	Depth with doors (min.)	27 ⁵ / ₈	70.2
H	Depth without doors (min.)	24 ¹ / ₂	62.2
I	Depth to back of hinges (min.)	20 ⁵ / ₈	52.4

*Add ³/₄" (1.9 cm) to the height dimension when leveling legs are fully extended.

72" COUNTER-DEPTH FRENCH DOOR REFRIGERATOR WITH INTERNAL DISPENSER

JFC2290VE – 35⁵/₈" x 71⁷/₈" x 29⁵/₈"

OPENING/CLEARANCE DIMENSIONS



FRONT VIEW

MODEL #		JFC2290VE	
		in	cm
A	Width (min.)	36 ⁵ / ₈	93.0
	Minimum width from side of refrigerator to fixed wall – door open 90° (full access to remove bins) Pro-Style® Stainless	2 ⁵ / ₈	6.7
B	Euro-Style Stainless	2	5.1
	Minimum width from side of refrigerator to fixed wall – door fully open 125° Pro-Style® Stainless	10 ⁷ / ₈	27.6
	Euro-Style Stainless	10 ³ / ₈	26.4
C	Width of recommended electrical/ water installation area	34	86.4
D	Height (min.)	71 ⁷ / ₈	182.6
E	Height of recommended electrical installation area (min.-max.)	10-24	25.4-61.0
F	Height of recommended water installation area	10	25.4
G	Depth of recommended water installation area	1	2.5
H	Water line location – distance from side	24 ⁵ / ₈	62.5
I	Water line location – distance from bottom	9 ³ / ₈	23.8
e	Recommended electrical connection location		
w	Recommended water connection location		

ELECTRICAL REQUIREMENTS

115 volt, 60 Hz, AC only, 15- or 20-amp fused, grounded circuit is required. A dedicated circuit is recommended. Use an outlet that cannot be turned off by a switch.

Minimum length of power cord is 60" (152.0 cm). Do not use an extension cord.

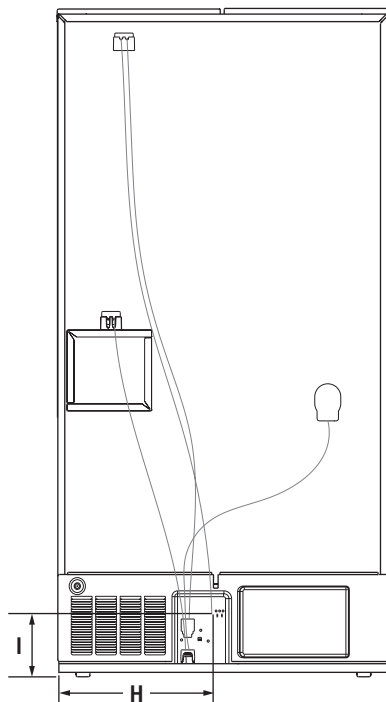
WATER PRESSURE REQUIREMENTS

A cold water supply with water pressure between 30 and 120 psi (207 and 827 kPa) is required to operate the water dispenser and ice maker. Call a licensed, qualified plumber with any questions about the water pressure.

Reverse Osmosis Water Supply

IMPORTANT: The pressure of the water coming out of a reverse osmosis system going to the water inlet valve of the refrigerator needs to be between 30 and 120 psi (207 and 827 kPa).

If a reverse osmosis water filtration system is connected to the cold water supply, the water pressure to the reverse osmosis system needs to be a minimum of 40 to 60 psi (276 to 414 kPa).



BACK VIEW