

### PRODUCT MODEL NUMBERS

JS42CXDBD	JS42SEDUD	JS48PPDUD
JS42CXDUD	JS48CXDBD	JS48SEDUD
JS42PPDUD	JS48CXDUD	JS48SEDUE

**Electrical:** A 115 Volt, 60 Hz., AC only 15- or 20-amp fused, grounded electrical supply is required. It is recommended that a separate circuit serving only your refrigerator be provided. Use an outlet that cannot be turned off by a switch. Do not use an extension cord.

A grounded 3 prong electrical outlet should be placed within 4" (10.2 cm) of the right side cabinets or end panel.

**Water Supply:** A cold water supply with water pressure between 30 and 120 psi (207 and 827 kPa) is required to operate the water dispenser and ice maker. If you have questions about your water pressure, call a licensed, qualified plumber.

If a reverse osmosis water filtration system is connected to your cold water supply, the water pressure to the reverse osmosis system needs to be a minimum of 40 to 60 psi (276 to 414 kPa).

The water shutoff should be located in the base cabinet on either side of the refrigerator or some other easily accessible area. If the water shutoff valve is not in the cabinets, the plumbing for the water line can come through the floor or the back wall.

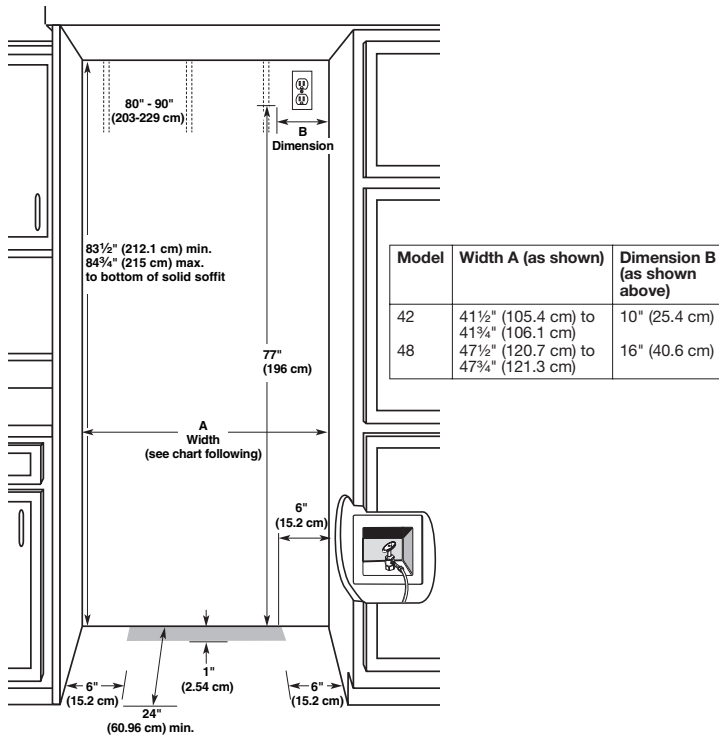
**Location:** Do not install the refrigerator near an oven, radiator, or other heat source, or in a location where the temperature will fall below 55°F (13°C). Floor must support the refrigerator weight, more that 600 lbs (272 kg), door panels and contents of the refrigerator.

### OPENING DIMENSIONS

A solid soffit or wall cabinet must be installed 84" (213.4 cm) above the floor. If the solid soffit is higher than 84" (213.4 cm) or one is not available, then the refrigerator must be braced.

For a fully integrated installation, a minimum of 6" (15.24 cm) of open space above the refrigerator is required. Anti-tip boards are required.

If the anti-tip boards are needed, they must be attached to the rear wall studs so that there is 84" (213.4 cm) from the bottom of the anti-tip board to the floor. See "Install Anti-Tip Boards" for more information.



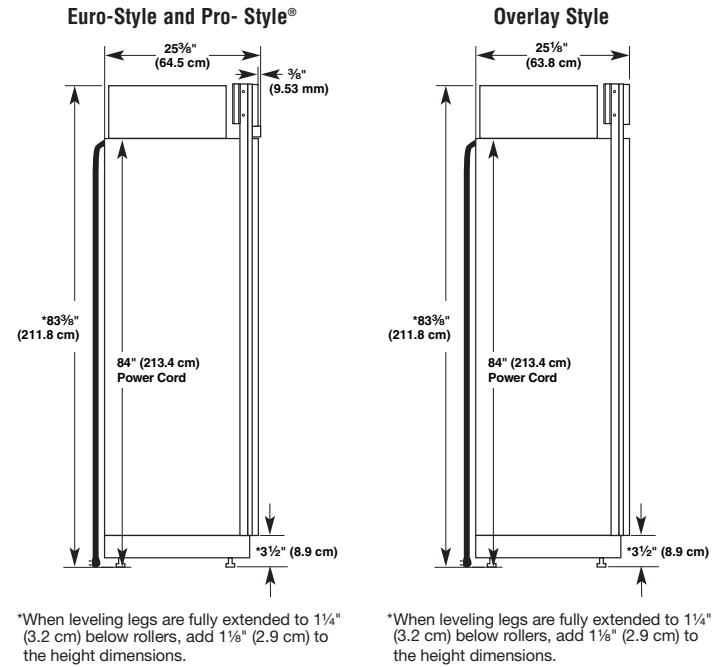
### IMPORTANT:

- Flooring under refrigerator must be at same level as the room. Face of cabinetry must be plumb.
- The width of the opening (Width A), must be as specified for your model, for at least 2" (5.08 cm) back from the face of the cabinet. If your opening does not meet this requirement, you will need to make modifications.

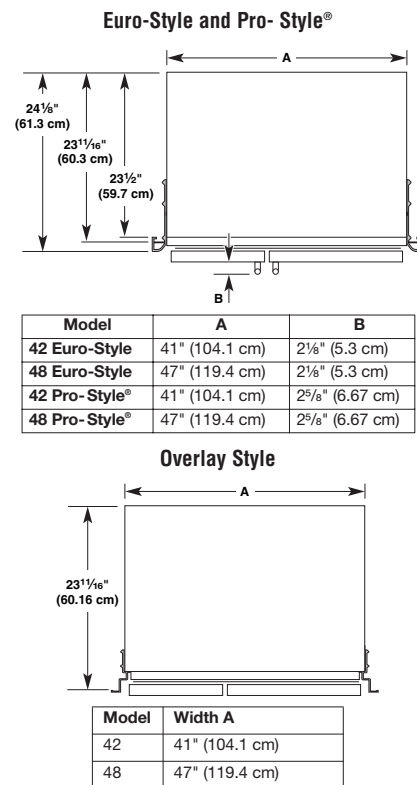
### PRODUCT DIMENSIONS

- The power cord is 84" (213 cm) long.
- The line attached to the back of the refrigerator is 5 ft. (1.5 m) long.
- Width dimensions were measured from trim edge to trim edge.
- The depth from the front of the top grille to the back of the refrigerator cabinet is 25 3/8" (64.5 cm) for Euro and Pro-style®. The Overlay style depth is 25 1/2" (63.8 cm) without panels.
- The required thickness for all custom overlay panels is 3/4" (1.91 cm).

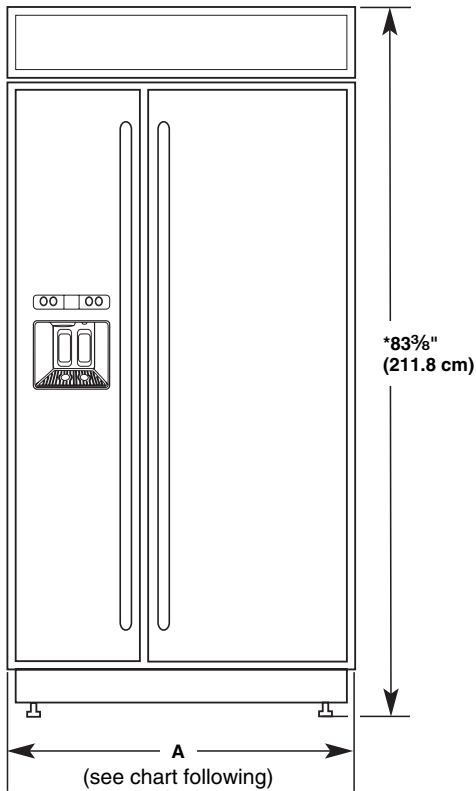
### SIDE VIEW



### TOP VIEW



## FRONT VIEW



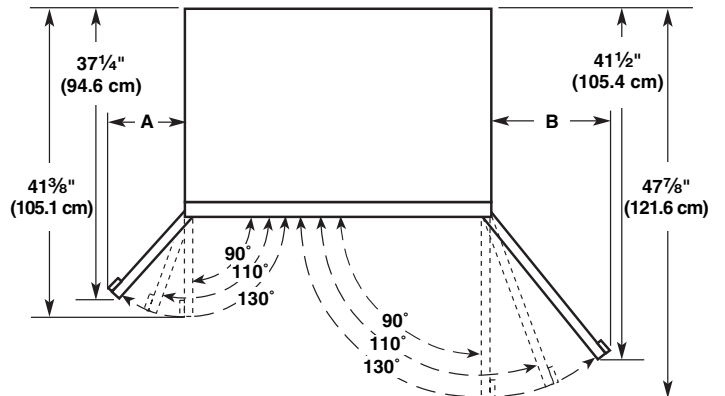
Model	Width A (Trim edge to trim edge)
42	42 <sup>1</sup> / <sub>4</sub> " (107.3 cm)
48	48 <sup>1</sup> / <sub>4</sub> " (122.6 cm)

## DOOR SWING DIMENSIONS

The location must permit both doors to open to a minimum of 90°. Allow 4<sup>1</sup>/<sub>2</sub>" (11.4 cm) minimum space between the side of the refrigerator and a corner wall.

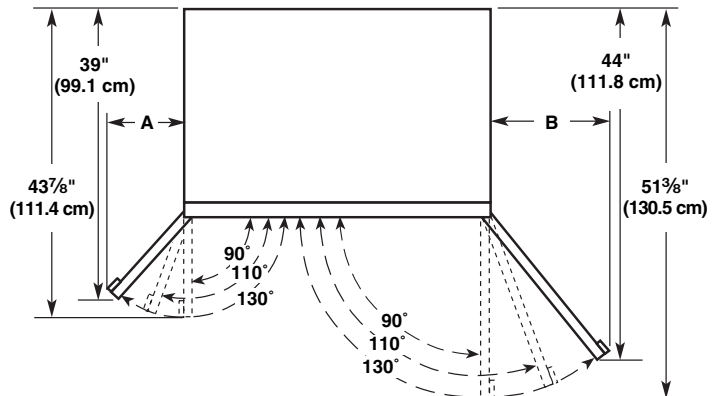
**NOTE:** More clearance may be required if you are using overlay panels, custom handles, or extended handles.

### 42" (106.7 cm) Models



Model	A	B
Pro-Style®	10 <sup>3</sup> / <sub>4</sub> " (27.11 cm)	14 <sup>1</sup> / <sub>4</sub> " (36.11 cm)
Euro	10 <sup>1</sup> / <sub>4</sub> " (25.87 cm)	13 <sup>3</sup> / <sub>4</sub> " (34.88 cm)

### 48" (121.9 cm) Models



Model	A	B
Pro-Style®	12 <sup>3</sup> / <sub>16</sub> " (30.84 cm)	16 <sup>1</sup> / <sub>4</sub> " (41.16 cm)
Euro	11 <sup>5</sup> / <sub>8</sub> " (29.43 cm)	15 <sup>11</sup> / <sub>16</sub> " (39.75 cm)