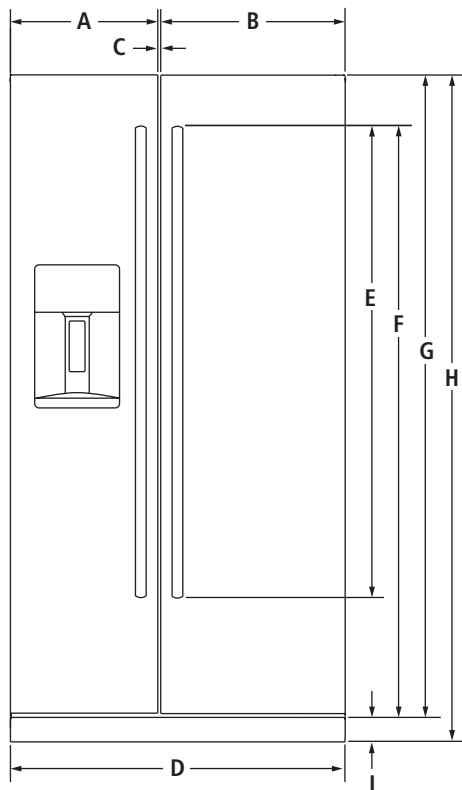


72" COUNTER-DEPTH SIDE-BY-SIDE REFRIGERATOR WITH DISPENSER

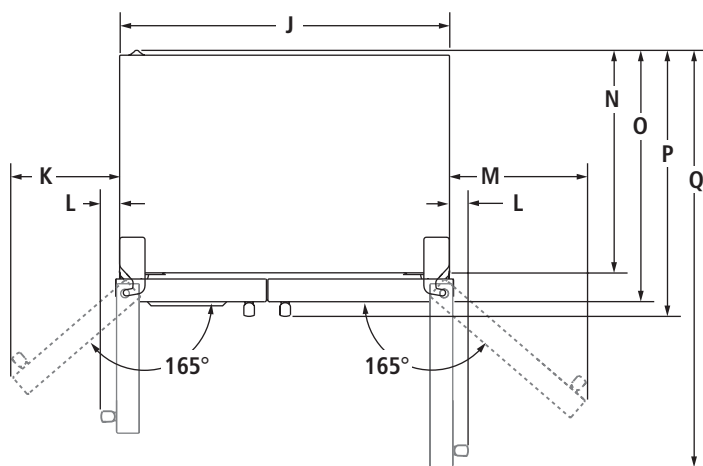
JSC24C8EA – 35³/₄" x 71³/₈" x 29¹/₂"

PRODUCT DIMENSIONS



FRONT VIEW

MODEL #		JSC24C8EA	
		in	cm
A	Width of freezer door	15 ³ / ₈	38.9
B	Width of refrigerator door	20	50.8
C	Space between doors	1/2	1.1
D	Overall width	35 ³ / ₄	90.8
E	Height of handles	50 ¹ / ₈	127.2
F	Height to top of handles	62 ¹ / ₄	158.0
G	Height of doors	68 ¹ / ₈	172.9
H	Height of grille	3 ¹ / ₄	8.2
I	Width of recessed refrigerator	35 ¹ / ₂	90.0
J	Width from side of refrigerator to freezer handle – door fully open 165°	13 ¹ / ₂	34.2
K	Width from side of refrigerator to handle – door open 90°	2 ¹ / ₈	5.4
L	Width from side of refrigerator to refrigerator handle – door fully open 165°	18	45.7
M	Depth without doors	24 ¹ / ₂	62.0
N	Depth with doors	27 ¹ / ₂	69.8
O	Depth with handles	29 ¹ / ₂	74.7
P	Depth with refrigerator door open 90°	45 ⁷ / ₈	116.4

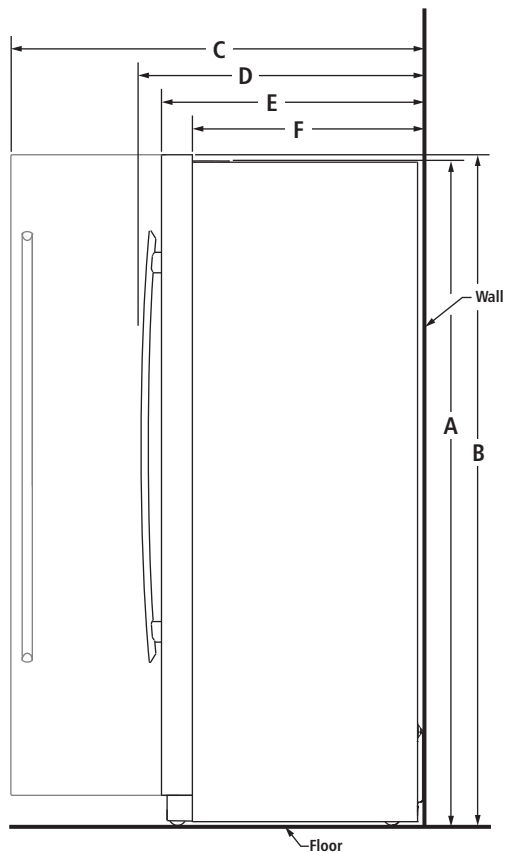


TOP VIEW

72" COUNTER-DEPTH SIDE-BY-SIDE REFRIGERATOR WITH DISPENSER

JSC24C8EA – 35³/₄" x 71³/₈" x 29¹/₂"

DIMENSIONS AS INSTALLED



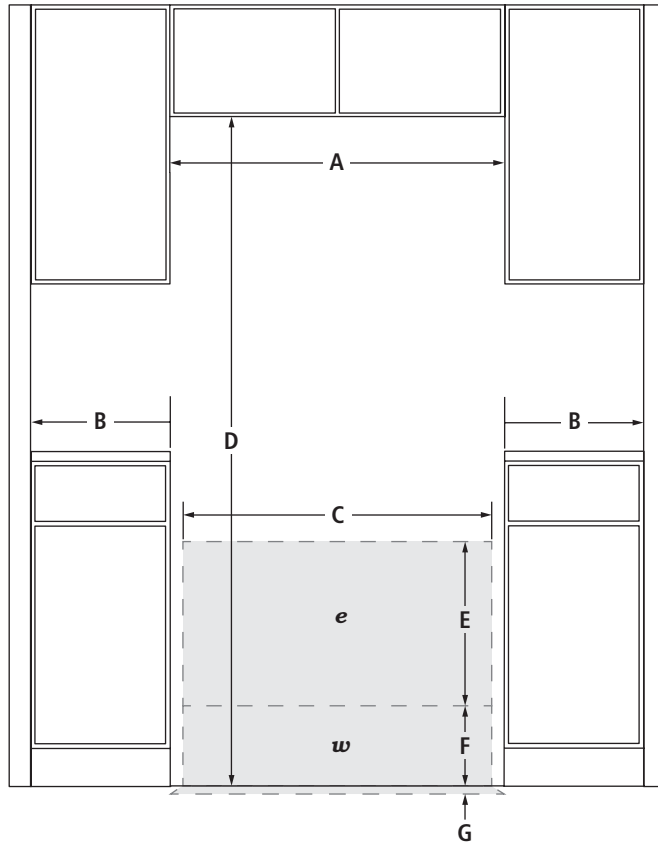
SIDE VIEW

MODEL #		JSC24C8EA	
		in	cm
A	Height to top of hinges (min.)	71 ¹ / ₈	180.8
B	Height to top of doors (min.)	71 ³ / ₈	181.0
C	Depth with refrigerator door open 90° (min.)	45 ⁷ / ₈	116.4
D	Depth with handles (min.)	29 ¹ / ₂	74.7
E	Depth with doors (min.)	27 ¹ / ₂	69.8
F	Depth without doors (min.)	24 ¹ / ₂	62.0

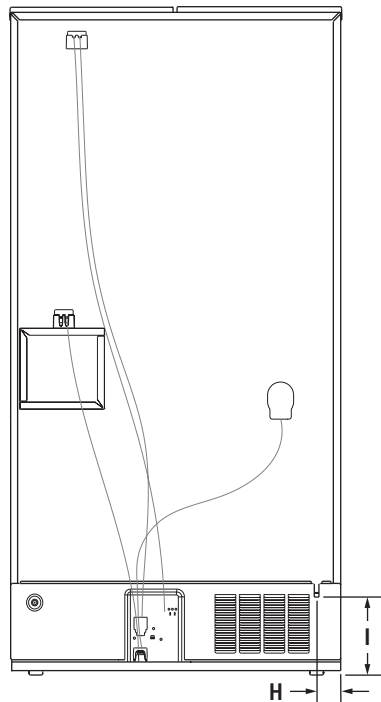
72" COUNTER-DEPTH SIDE-BY-SIDE REFRIGERATOR WITH DISPENSER

JSC24C8EA – 35¾" x 71¾" x 29½"

OPENING/CLEARANCE DIMENSIONS



FRONT VIEW



BACK VIEW

MODEL #		JSC24C8EA	
		in	cm
A	Width (min.)	36½	92.7
B	Minimum width from side of refrigerator to fixed wall – freezer door open 165° (full access to remove bins)	13½	34.2
	Minimum width from side of refrigerator to fixed wall – refrigerator door open 165° (full access to remove bins)	18	45.7
C	Width of recommended electrical/water installation area	34	86.4
D	Height (min.)	72	182.9
E	Height of recommended electrical installation area (min.-max.)	10-24	25.4-61.0
F	Height of recommended water installation area	10	25.4
G	Depth of recommended water installation area	1	2.5
H	Water line location – distance from side	2½	6.5
I	Water line location – distance from bottom	7⅞	20.0
e	Recommended electrical connection location		
w	Recommended water connection location		

ELECTRICAL REQUIREMENTS

115 volt, 60 Hz, AC only, 15- or 20-amp fused, grounded circuit is required. A dedicated circuit is recommended. Use an outlet that cannot be turned off by a switch.

Minimum length of power cord is 60" (152.0 cm). Do not use an extension cord.

WATER PRESSURE REQUIREMENTS

A cold water supply with water pressure between 30 and 120 psi (207 and 827 kPa) is required to operate the water dispenser and ice maker. Call a licensed, qualified plumber with any questions about the water pressure.

Reverse Osmosis Water Supply

IMPORTANT: The pressure of the water coming out of a reverse osmosis system going to the water inlet valve of the refrigerator needs to be between 30 and 120 psi (207 and 827 kPa).

If a reverse osmosis water filtration system is connected to the cold water supply, the water pressure to the reverse osmosis system needs to be a minimum of 40 to 60 psi (276 to 414 kPa).