

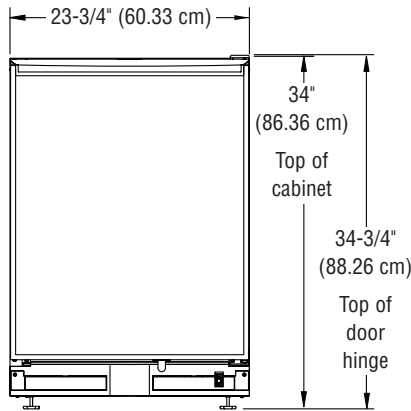
PRODUCT MODEL NUMBERS

JUB248LB JUB248RB

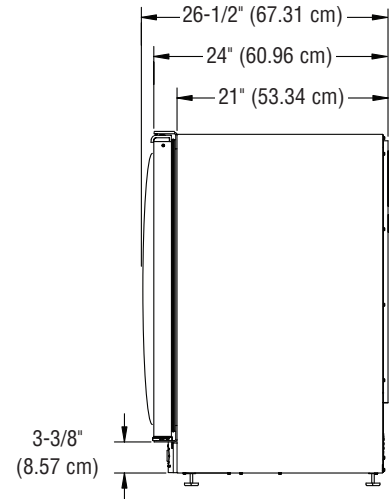
Electrical: A 115 Volt, 60 Hz., AC only 15- or 20- amp fused, grounded electrical supply is required. It is recommended that a separate circuit serving only your beverage center be provided. Use an outlet that cannot be turned off by a switch. Do not use an extension cord.

OVERALL DIMENSIONS

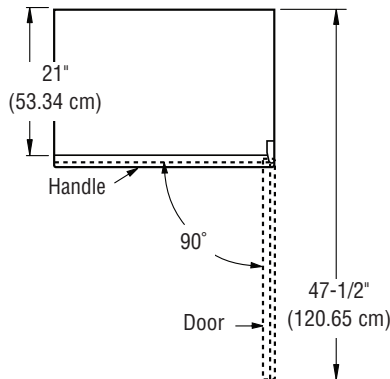
BACK VIEW



SIDE VIEW

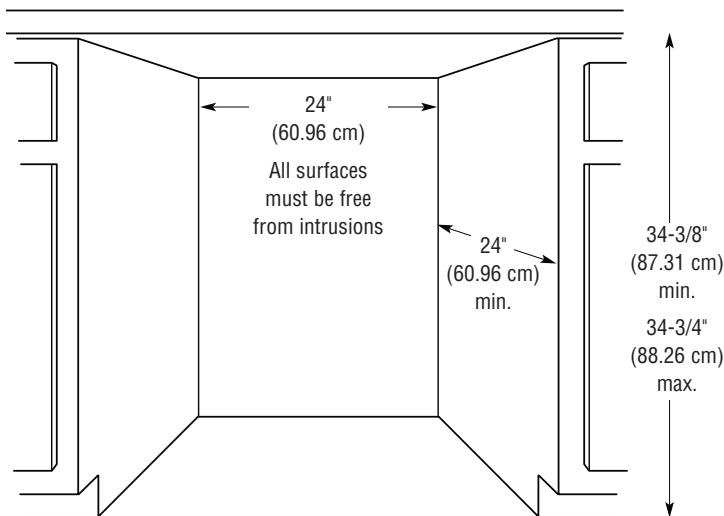


TOP VIEW



- Height to top of cabinet: 34" (86.36 cm)
- Height to top of door hinge: 34-3/8" - 34-3/4" (87.31 cm - 88.26 cm)
- Width closed: 23-3/4" (60.33 cm)
- Depth closed including handle: 26-1/2" (67.31 cm)
- Depth closed excluding handle: 24" (60.96 cm)
- Depth excluding doors: 21" (53.34 cm)
- Depth with doors open 90°: 47-1/2" (120.65 cm)

LOCATION REQUIREMENTS



To ensure proper ventilation for your beverage center, allow for 1/4" (0.64 cm) space on each side and at the top. When installing your beverage center next to a fixed wall, leave 2-1/2" (6.35 cm) minimum to allow for the door to swing open. To open door wider, leave more space.

NOTE: Do not install the beverage center near an oven, radiator, or other heat source, nor in a location where the temperature will fall below 55°F (13°C). For best performance, do not install the beverage center behind a cabinet door or block the base grille.