

JENN-AIR® DOUBLE REFRIGERATOR DRAWERS/ CAJÓN REFRIGERADO DOBLE JENN-AIR®/ DOUBLE TIROIR RÉFRIGÉRÉ JENN-AIR®

USE & CARE GUIDE

For questions about features, operation/performance, parts, accessories, or service, call:
1-800-JENNAIR (1-800-536-6247) or visit our website at www.jennair.com.

In Canada, call: **1-800-807-6777**, or visit our website at www.jennair.ca.

MANUAL DE USO Y CUIDADO

Si tiene preguntas respecto a las características, funcionamiento, rendimiento, partes, accesorios o servicio técnico, llame al:
1-800-JENNAIR (1-800-536-6247) o visite nuestro sitio de internet en www.jennair.com.

En Canadá, llame al: **1-800-807-6777**, o visite nuestro sitio de internet en www.jennair.ca.

GUIDE D'UTILISATION ET D'ENTRETIEN

Au Canada, pour assistance, installation ou service, composez le **1-800-807-6777** ou visitez notre site web à www.jennair.ca.

Table of Contents/Índice/Table des matières2



W10122766A

TABLE OF CONTENTS

REFRIGERATOR DRAWERS SAFETY	3	REFRIGERATOR DRAWERS CARE	6
Proper Disposal of Your Old Refrigerated Appliance.....	3	Cleaning.....	6
BEFORE USE	4	Power Interruptions.....	6
REFRIGERATOR DRAWERS USE	4	Vacation Care.....	7
Normal Sounds.....	4	TROUBLESHOOTING	7
Ensuring Proper Air Circulation.....	4	ASSISTANCE OR SERVICE	8
Using the Controls.....	5	In the U.S.A.	8
		In Canada.....	8
		WARRANTY	9

ÍNDICE

SEGURIDAD DE LOS CAJONES REFRIGERADOS	11	CUIDADO DE LOS CAJONES REFRIGERADOS	14
Cómo deshacerse adecuadamente de su aparato refrigerado viejo.....	11	Limpieza.....	14
ANTES DEL USO	12	Cortes de corriente.....	15
USO DE LOS CAJONES REFRIGERADOS	12	Cuidado durante las vacaciones.....	15
Sonidos normales.....	12	SOLUCIÓN DE PROBLEMAS	15
Cómo asegurar la debida circulación de aire.....	12	AYUDA O SERVICIO TÉCNICO	17
Uso de los controles.....	13	En los EE.UU.	17
		En Canadá.....	17
		GARANTÍA	18

TABLE DES MATIÈRES

SÉCURITÉ DES TIROIRS RÉFRIGÉRÉS	19	ENTRETIEN DES TIROIRS RÉFRIGÉRÉS	23
Mise au rebut correcte de votre vieil appareil réfrigéré.....	19	Nettoyage.....	23
AVANT L'UTILISATION	20	Pannes de courant.....	23
UTILISATION DES TIROIRS RÉFRIGÉRÉS	20	Entretien avant les vacances.....	23
Sons normaux.....	20	DÉPANNAGE	24
Pour assurer une circulation d'air correcte.....	20	ASSISTANCE OU SERVICE	26
Utilisation des commandes.....	21	Aux États-Unis.....	26
		Au Canada.....	26
		GARANTIE	27

REFRIGERATOR DRAWERS SAFETY

Your safety and the safety of others are very important.

We have provided many important safety messages in this manual and on your appliance. Always read and obey all safety messages.



This is the safety alert symbol.

This symbol alerts you to potential hazards that can kill or hurt you and others.

All safety messages will follow the safety alert symbol and either the word "DANGER" or "WARNING." These words mean:

⚠ DANGER

You can be killed or seriously injured if you don't immediately follow instructions.

⚠ WARNING

You can be killed or seriously injured if you don't follow instructions.

All safety messages will tell you what the potential hazard is, tell you how to reduce the chance of injury, and tell you what can happen if the instructions are not followed.

IMPORTANT SAFETY INSTRUCTIONS

WARNING: To reduce the risk of fire, electric shock, or injury when using your refrigerator drawer(s), follow these basic precautions:

- Plug into a grounded 3 prong outlet.
- Do not remove ground prong.
- Do not use an adapter.
- Do not use an extension cord.
- Disconnect power before servicing.
- Replace all parts and panels before operating.
- Remove door or drawer(s) from your old refrigerated appliance.
- Use nonflammable cleaner.
- Keep flammable materials and vapors, such as gasoline, away from refrigerator drawer(s).
- Use two or more people to move and install refrigerator drawer(s).

SAVE THESE INSTRUCTIONS

Proper Disposal of Your Old Refrigerated Appliance

⚠ WARNING

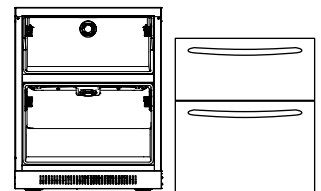
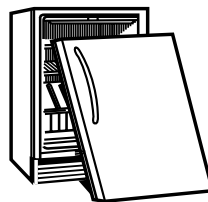
Suffocation Hazard

Remove door or drawer(s) from your old refrigerated appliance.

Failure to do so can result in death or brain damage.

Before You Throw Away Your Old Refrigerated Appliance:

Remove the door or drawer(s).



IMPORTANT: Child entrapment and suffocation are not problems of the past. A junked or abandoned refrigerated appliance is still dangerous – even if it will sit for "just a few days." If you are getting rid of your old refrigerated appliance, please follow these instructions to help prevent accidents.

BEFORE USE

Remove the Packaging

- Remove tape and glue residue from surfaces before turning on the refrigerator drawers. Rub a small amount of liquid dish soap over the glue residue with your fingers. Wipe with warm water and dry.
- Do not use sharp instruments, rubbing alcohol, flammable fluids, or abrasive cleaners to remove tape or glue. These products can damage the surface of your refrigerator drawers. For more information, see “Refrigerator Drawers Safety.”

Clean Before Use

After you remove all of the packaging materials, clean the inside of your refrigerator drawers before using them. See the cleaning instructions in “Refrigerator Drawers Care.”

REFRIGERATOR DRAWERS USE

⚠ WARNING



Electrical Shock Hazard

Plug into a grounded 3 prong outlet.

Do not remove ground prong.

Do not use an adapter.

Do not use an extension cord.

Failure to follow these instructions can result in death, fire, or electrical shock.

Normal Sounds

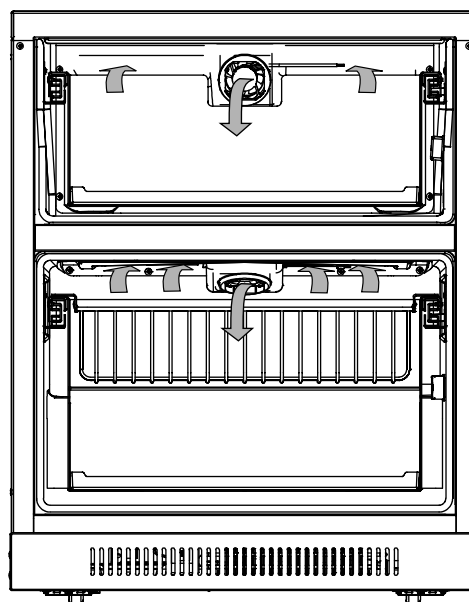
Your new refrigerator drawers may make sounds that your old refrigerator drawers didn't. Because the sounds are new to you, you might be concerned about them. Most of the new sounds are normal. Hard surfaces, such as the floor, walls, and cabinets, can make the sounds seem louder. The following describes the kinds of sounds and what may be making them.

- Your refrigerator drawers are designed to run more efficiently to keep your food items at the desired temperatures and to minimize energy usage. The high efficiency compressor and fans may cause your refrigerator drawers to run longer than your old ones. You may also hear a pulsating or high-pitched sound from the compressor or fans adjusting to optimize performance.
- You may hear the evaporator fan motor circulating air through the refrigerator drawers. The fan speed may increase as you open the drawers or add warm food.
- As each cycle ends, you may hear a gurgling sound due to the refrigerant flowing through the sealed system tubing.
- Contraction and expansion of the inside walls may cause a popping noise.

- You may hear air being forced over the condenser by the condenser fan.
- You may hear water running into the drain pan during the Off cycle.

Ensuring Proper Air Circulation

In order to ensure proper temperatures, you need to permit airflow inside the drawers.



Do not block any airflow vents. If the vents are blocked, airflow will be obstructed and temperature and moisture problems may occur.

IMPORTANT: To avoid odor transfer and drying out of food, wrap or cover foods tightly.

Using the Controls

The control panels for both refrigerator drawers are located in the upper drawer. To view and set the Upper and Lower control panel, pull out the upper drawer.

The upper drawer is a refrigerator only. The lower drawer has a dual setting for Refrigerator or Pantry. The pantry setting allows storage of food or beverages up to a temperature of 60°F (16°C). See “Recommended Temperature Settings” later in this section.

IMPORTANT:

- The Upper Drawer control adjusts the upper refrigerator drawer temperature. The Lower Drawer control adjusts the lower refrigerator or pantry drawer temperature.
- Wait 24 hours after you turn on the refrigerator drawers before you put food into the drawers. If you add food before the drawers have cooled completely, your food may spoil.

NOTE: Adjusting the controls to a lower (colder) setting in one or both drawers will not cool them any faster.

- If the temperature is too warm or too cold in the drawers, first check the air vents to be sure they are not blocked before adjusting the controls.
- The preset settings should be correct for normal household usage. The controls are set correctly when milk or juice is as cold as you like and when bread, potatoes and vegetables stay fresh.

NOTE: When turning on the refrigerator drawers, the refrigerator drawers will default to the factory set point of 38°F (3°C) for both the upper and lower drawers.

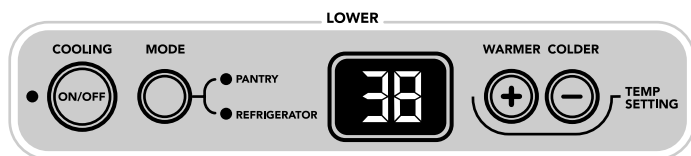
Upper Drawer Control Panel – Refrigerator Only

The Upper Drawer control panel sets the temperature for the upper drawer. The upper drawer is a refrigerator only.



Lower Drawer Control Panel—Refrigerator or Pantry

The Lower Drawer control panel sets the temperature for the lower drawer. The lower drawer has two settings: Refrigerator or Pantry.



- Press and hold MODE for 3 seconds to set the lower drawer to the Refrigerator or Pantry setting.

NOTE: The blue indicator will light up next to the desired setting. Be sure to adjust the temperature according to the selected setting.

Turning Refrigerator Drawers On/Off and Viewing Set Points

- Press COOLING to turn the refrigerator drawers on.
- Press and hold COOLING for 3 seconds to turn the refrigerator drawers off.

NOTE: After the refrigerator drawers are turned on, the Over Temperature audible alarm will beep every 1½ hours until the refrigerator and pantry temperatures are below 48°F (9°C) and 60°F (16°C) respectively.

Adjusting Controls

IMPORTANT: Wait at least 24 hours between adjustments. Recheck the temperatures before other adjustments are made.

To adjust set point temperatures:

- Press the Upper Drawer control PLUS (+) or MINUS (-) touch pad until the desired temperature setting is reached.

NOTE: The set point range for the upper drawer is 34°F to 45°F (1°C to 7°C).

- Press the Lower Drawer control PLUS (+) or MINUS (-) touch pad until the desired temperature setting is reached.

NOTE: The set point range for the lower drawer refrigerator mode is 34°F to 45°F (1°C to 7°C). The set point range for the lower drawer pantry mode is 40°F to 60°F (5°C to 16°C).

Recommended Temperature Settings

When storing food or beverages, refer to the table below for factory recommended temperature settings.

FOOD/BEVERAGE	DRAWER	DEGREES
Vegetables/Berries	Upper	34°F (1°C)
	Lower—Refrigerator Mode	
Meats/Fish/Seafood	Upper	34°F (1°C)
	Lower—Refrigerator Mode	
Cheeses	Upper	40°F (5°C)
	Lower—Refrigerator or Pantry Mode	
Oranges	Upper	43°F (6°C)
	Lower—Refrigerator or Pantry Mode	
Melons	Lower Pantry Mode	47°F (8°C)
White Wine	Lower Pantry Mode	48°F (9°C)
Potatoes	Lower Pantry Mode	54°F (12°C)
Watermelon/ Grapefruit	Lower Pantry Mode	55°F (13°C)
Red Wine	Lower Pantry Mode	60°F (16°C)

Additional Control Panel Features

Additional features are located on the control panel in the upper drawer.

Holiday Mode

Holiday Mode is designed for the traveler or for those whose religious observances require turning off the lights. By selecting this feature, the temperature set points remain unchanged and the interior lights will turn off. For most efficient refrigerator drawers operation, it is recommended to exit the Holiday Mode when it is no longer required.

- Press and hold HOLIDAY MODE for 3 seconds to turn on the Holiday Mode feature. Press and hold HOLIDAY MODE for 3 seconds to return lights to normal operation.



Viewing Celsius Temperatures

- Press °C TEMP SELECT touch pad to change the temperature display information from Fahrenheit to Celsius.



NOTE: The blue indicator will light up to display degrees Celsius. To redisplay degrees Fahrenheit, press °C TEMP SELECT again.

Control Lockout

The upper and lower drawer control panel can be locked to avoid unintentional temperature changes by small children and pets.

- Press and hold CONTROL LOCKOUT icon for 3 seconds to turn on the Control Lockout feature. To deactivate the feature, press and hold CONTROL LOCKOUT icon for 3 seconds.



NOTE: When Control Lockout is activated, the control panel touch pads will not work. Any attempt to change the settings will result in a beep to indicate the control panel is locked.

Over Temperature Alarm

The Over Temperature feature is designed to let you know when either the refrigerator temperature rises above 48°F (9°C) or the pantry temperature rises above 60°F (16°C) for longer than 1½ hours. The audible alarm will shut off automatically when the temperature returns to the selected temperature setting.

IMPORTANT: If the Over Temperature Alarm activates, your food may spoil. See “Power Interruptions.” Minimize drawer openings until temperatures return to normal.

Drawer Open

The Drawer Open alarm will sound and the interior lights will turn off when a drawer has been open for longer than 10 minutes. When the drawer is closed, the audible alarm will reset and turn off.

REFRIGERATOR DRAWERS CARE

Cleaning

WARNING



Explosion Hazard

Use nonflammable cleaner.

Failure to do so can result in death, explosion, or fire.

The drawers defrost automatically when they are both in the refrigerator mode. However, clean both drawers about once a month to avoid build-up of odors. Wipe up spills immediately.

To clean your refrigerator drawers:

1. Hand wash, rinse, and dry interior surfaces thoroughly. Use a clean sponge or soft cloth and a mild detergent in warm water.
 - Do not use abrasive or harsh cleaners such as window sprays, scouring cleansers, flammable fluids, cleaning waxes, concentrated detergents, bleaches or cleansers containing petroleum products on plastic parts, interior and drawer liners or gaskets. Do not use paper towels, scouring pads, or other harsh cleaning tools. These can scratch or damage materials.
 - To help remove odors, you can wash interior walls with a mixture of warm water and baking soda (2 tbs to 1 qt [26 g to 0.95 L] of water).
2. Wash stainless steel and painted metal exteriors with a clean sponge or soft cloth and a mild detergent in warm water. Do not use abrasive or harsh cleaners. Dry thoroughly with a soft cloth. For additional protection against damage to painted metal exteriors, apply appliance wax (or auto paste wax) with a clean, soft cloth. Do not wax plastic parts.

NOTE: To keep your Stainless Steel refrigerator drawers looking like new and to remove minor scuffs or marks, it is suggested that you use the manufacturer’s approved Stainless Steel Cleaner & Polish. To order the cleaner, see “Accessories.”

IMPORTANT: This cleaner is for Stainless Steel parts only!

Do not allow the Stainless Steel Cleaner & Polish to come into contact with any plastic parts such as the trim pieces or drawer gaskets. If unintended contact does occur, clean plastic part with a sponge and mild detergent in warm water. Dry thoroughly with a soft cloth.

Power Interruptions

If the power will be out for 24 hours or less, keep both refrigerator drawers closed to help food stay cold.

If the power will be out for more than 24 hours, do one of the following:

- Place all perishable food in a food locker or cooler with dry ice.
- If neither a food locker or cooler is available, consume food if still cold or throw away perishable food at once.

Vacation Care

Your refrigerator drawers are equipped with the Holiday Mode feature. By selecting this feature, the temperature set points remain unchanged and the interior lights will turn off. For most efficient refrigerator drawers operation, it is recommended to exit the Holiday Mode when it is no longer required.

If you choose to leave the refrigerator drawers on while you're away:

1. Use up any perishables and freeze other items.
2. Press HOLIDAY MODE touch pad.
3. When you return from vacation, press HOLIDAY MODE touch pad to return to normal operation.

If you choose to turn the refrigerator drawers off before you leave:

1. Remove all food from the refrigerator drawers.
2. Turn the Control Panel for the Upper and the Lower drawers to Off. See "Using the Controls."
3. Clean refrigerator drawers, wipe and dry them well.
4. Tape rubber or wood blocks to the tops of both drawers to prop them open far enough for air to get in. This stops odor and mold from building up.

TROUBLESHOOTING

Try the solutions suggested here first in order to avoid the cost of an unnecessary service call.

Your refrigerator drawers will not operate

⚠ WARNING



Electrical Shock Hazard

Plug into a grounded 3 prong outlet.

Do not remove ground prong.

Do not use an adapter.

Do not use an extension cord.

Failure to follow these instructions can result in death, fire, or electrical shock.

- **Is the power supply cord unplugged?** Plug into a grounded 3 prong outlet.
- **Has a household fuse blown, or a circuit breaker tripped?** Replace the fuse or reset the circuit breaker. If the problem continues, call an electrician.
- **Are the refrigerator drawers control set in the Off position?** See "Using the Controls."
- **Are the refrigerator drawers controls not working?** The Power On/Off Switch is located behind the base grille. See the Installation Guide. If this does not correct the problem, call for service.
- **Are the refrigerator drawers not cooling?** Turn them off then on again to reset. See "Using the Controls." If this does not correct the problem, call for service.

The lights do not work

- **Are the refrigerator drawers controls not working?** The Power On/Off Switch is located behind the base grille. See the Installation Guide. If this does not correct the problem, call for service.
- **Has a drawer been open more than 10 minutes?** When the drawer is held open for more than 10 minutes, the interior lights will shut off. See "Drawer Open" in "Using the Controls."

The motor seems to run too much

- **Is the room temperature hotter than normal?** The motor will run longer under warm conditions. At normal room temperatures, expect your motor to run about 80% of the time. Under warmer conditions, it will run even more.
- **Has a large amount of food just been added to the refrigerator drawers?** Adding a large amount of food warms the refrigerator drawers. The motor normally will run longer to cool the refrigerator drawers back down.
- **Are the drawers opened often?** The motor will run longer when this occurs. Conserve energy by getting all items out at one time, keeping food organized, and closing the drawer as soon as possible.
- **Are the controls not set correctly for the surrounding conditions?** See "Using the Controls."
- **Are the drawers not closed completely?** Close the drawers firmly. If they do not close completely, see "The drawers will not close completely" later in this section.
- **Are the drawer gaskets not sealed all the way around?** Contact a technician or other qualified person.

The refrigerator drawers seems to make too much noise

The sounds may be normal for your refrigerator drawers. See "Normal Sounds."

The divider between the two compartments is warm

The warmth is probably due to normal operation of the automatic exterior moisture control. If still concerned, call for service.

Temperature is too warm

- **Are the air vents blocked in either compartment?** This obstructs cold air movement between the compartments. Remove any objects from in front of the air vents. See "Ensuring Proper Air Circulation" for the location of air vents.
- **Are the drawers opened often?** The refrigerator drawers will warm when this occurs. Keep the refrigerator drawers cool by getting all items out at one time, keeping food organized, and closing the door as soon as possible.

- **Has a large amount of food just been added to the refrigerator drawers?** Adding a large amount of food warms the refrigerator drawers. It can take several hours for the refrigerator drawers to return to the normal temperature.
- **Are the controls set correctly for the surrounding conditions?** See “Using the Controls.”
- **Are the refrigerator drawers not cooling?** Turn them off then on again to reset. See “Using the Controls.” If this does not correct the problem, call for service.

There is interior moisture buildup

- **Are the air vents blocked in the refrigerator drawers?** Remove any objects from in front of the air vents. See “Ensuring Proper Air Circulation” for the location of air vents.
- **Are the drawers opened often?** Avoid humidity buildup by getting all items out at one time, keeping food organized, and closing the drawer as soon as possible.
- **Is the room humid?** It is normal for moisture to build up inside the refrigerator drawers when the room air is humid.
- **Is the food packaged correctly?** Check that all food is securely wrapped. Dry damp food containers before placing in the refrigerator drawers.
- **Are the controls set correctly for the surrounding conditions?** See “Using the Controls.”

The drawers will not close completely

- **Are food packages blocking the drawer open?** Rearrange containers so that they fit more tightly and take up less space.

The drawers are difficult to open

WARNING



Explosion Hazard

Use nonflammable cleaner.

Failure to do so can result in death, explosion, or fire.

- **Are the gaskets dirty or sticky?** Clean gaskets and the surface that they touch. Rub a thin coat of paraffin wax on the gaskets following cleaning.

ASSISTANCE OR SERVICE

Before calling for assistance or service, please check “Troubleshooting.” It may save you the cost of a service call. If you still need help, follow the instructions below.

When calling, please know the purchase date and the complete model and serial number of your appliance. This information will help us to better respond to your request.

In the U.S.A.

If the problem is not due to one of the items listed in the “Troubleshooting” section...

Call the dealer from whom your appliance was purchased, or call Maytag Services, LLC, Jenn-Air Customer Assistance at **1-800-JENNAIR (1-800-536-6247)** to locate an authorized service company. When calling, please know the purchase date and the complete model and serial number of your appliance. Be sure to retain proof of purchase to verify warranty status.

If the dealer or service company cannot resolve your problem, write to:

Maytag Services, LLC

Attn.: CAIR® Center

P.O. Box 2370

Cleveland, TN 37320-2370

Web address: www.jennair.com

Or call: **1-800-JENNAIR (1-800-536-6247)**.

U.S. customers using TTY for deaf, hearing impaired or speech impaired, call: **1-800-688-2080** (Monday - Friday, 8:00 a.m. - 8:00 p.m. Eastern Time).

NOTE: When writing or calling about a service problem, please include the following information:

1. Your name, address and daytime telephone number.
2. Appliance model number and serial number.
3. Name and address of your dealer or servicer.

4. A clear description of the problem you are having.
5. Proof of purchase (sales receipt).

User’s guides, service manuals and parts information are available from Maytag Services, LLC, Customer Assistance.

In Canada

If the problem is not due to one of the items listed in the “Troubleshooting” section...

Call the dealer from whom your appliance was purchased, or call Whirlpool Canada LP, Customer Interaction Centre at **1-800-807-6777** to locate an authorized service company. When calling, please know the purchase date and the complete model and serial number of your appliance. Be sure to retain proof of purchase to verify warranty status.

If the dealer or service company cannot resolve your problem, write to:

Whirlpool Canada LP

Customer Interaction Centre

1901 Minnesota Court

Mississauga, ON L5N 3A7

Web address: www.jennair.ca

Or call: **1-800-807-6777**.

NOTE: When writing or calling about a service problem, please include the following information:

1. Your name, address and daytime telephone number.
2. Appliance model number and serial number.
3. Name and address of your dealer or servicer.
4. A clear description of the problem you are having.
5. Proof of purchase (sales receipt).

User’s guides, service manuals and parts information are available from Whirlpool Canada LP, Customer Interaction Centre.

JENN-AIR® REFRIGERATOR WARRANTY

ONE YEAR LIMITED WARRANTY

For one year from the date of purchase, when this major appliance is operated and maintained according to instructions attached to or furnished with the product, Jenn-Air brand of Maytag Corporation or Maytag Limited (hereafter "Jenn-Air") will pay for factory specified replacement parts and repair labor to correct defects in materials or workmanship. Service must be provided by a Jenn-Air designated service company. This limited warranty applies only when the major appliance is used in the country in which it is purchased.

On models with a water filter: 30 day limited warranty on water filter. For 30 days from the date of purchase, when this filter is operated and maintained according to instructions attached to or furnished with the product, Jenn-Air will pay for replacement parts to correct defects in materials and workmanship.

SECOND THROUGH FIFTH YEAR LIMITED WARRANTY ON CAVITY LINER AND SEALED REFRIGERATION SYSTEM PARTS

In the second through fifth years from the date of purchase, when this major appliance is operated and maintained according to instructions attached to or furnished with the product, Jenn-Air will pay for replacement or repair of the refrigerator/freezer cavity liner (including labor costs) if the part cracks due to defective materials or workmanship. Also, in the second through fifth years from the date of purchase, Jenn-Air will pay for factory specified parts and labor to correct defects in materials or workmanship in the sealed refrigeration system. These parts are: compressor, evaporator, condenser, dryer, and connecting tubing. Service must be provided by a Jenn-Air designated service company.

ITEMS JENN-AIR WILL NOT PAY FOR

1. Service calls to correct the installation of your major appliance, to instruct you how to use your major appliance, to replace or repair house fuses or to correct house wiring or plumbing.
2. Service calls to repair or replace appliance light bulbs, air filters or water filters. Those consumable parts are excluded from warranty coverage.
3. Repairs when your major appliance is used for other than normal, single-family household use.
4. Damage resulting from accident, alteration, misuse, abuse, fire, flood, acts of God, improper installation, installation not in accordance with electrical or plumbing codes, or use of products not approved by Jenn-Air.
5. Any food loss due to refrigerator or freezer product failures.
6. Replacement parts or repair labor costs for units operated outside the United States or Canada.
7. Pickup and delivery. This major appliance is designed to be repaired in the home.
8. Repairs to parts or systems resulting from unauthorized modifications made to the appliance.
9. Expenses for travel and transportation for product service in remote locations.
10. The removal and reinstallation of your appliance if it is installed in an inaccessible location or is not installed in accordance with published installation instructions.
11. Replacement parts or repair labor costs when the major appliance is used in a country other than the country in which it was purchased.

DISCLAIMER OF IMPLIED WARRANTIES; LIMITATION OF REMEDIES

CUSTOMER'S SOLE AND EXCLUSIVE REMEDY UNDER THIS LIMITED WARRANTY SHALL BE PRODUCT REPAIR AS PROVIDED HEREIN. IMPLIED WARRANTIES, INCLUDING WARRANTIES OF MERCHANTABILITY OR FITNESS FOR A PARTICULAR PURPOSE, ARE LIMITED TO ONE YEAR OR THE SHORTEST PERIOD ALLOWED BY LAW. JENN-AIR SHALL NOT BE LIABLE FOR INCIDENTAL OR CONSEQUENTIAL DAMAGES. SOME STATES AND PROVINCES DO NOT ALLOW THE EXCLUSION OR LIMITATION OF INCIDENTAL OR CONSEQUENTIAL DAMAGES, OR LIMITATIONS ON THE DURATION OF IMPLIED WARRANTIES OF MERCHANTABILITY OR FITNESS, SO THESE EXCLUSIONS OR LIMITATIONS MAY NOT APPLY TO YOU. THIS WARRANTY GIVES YOU SPECIFIC LEGAL RIGHTS AND YOU MAY ALSO HAVE OTHER RIGHTS, WHICH VARY FROM STATE TO STATE OR PROVINCE TO PROVINCE.

Outside the 50 United States and Canada, this warranty does not apply. Contact your authorized Jenn-Air dealer to determine if another warranty applies.

If you need service, first see the "Troubleshooting" section of the Use & Care Guide. After checking "Troubleshooting," additional help can be found by checking the "Assistance or Service" section or by calling Jenn-Air. In the U.S.A., call **1-800-JENNAIR (1-800-536-6247)**. In Canada, call **1-800-807-6777**.

3/07

Keep this book and your sales slip together for future reference. You must provide proof of purchase or installation date for in-warranty service.

Write down the following information about your major appliance to better help you obtain assistance or service if you ever need it. You will need to know your complete model number and serial number. You can find this information on the model and serial number label located on the product.

Dealer name _____

Address _____

Phone number _____

Model number _____

Serial number _____

Purchase date _____

Notes

SEGURIDAD DE LOS CAJONES REFRIGERADOS

Su seguridad y la seguridad de los demás es muy importante.

Hemos incluido muchos mensajes importantes de seguridad en este manual y en su electrodoméstico. Lea y obedezca siempre todos los mensajes de seguridad.



Este es el símbolo de advertencia de seguridad.

Este símbolo le llama la atención sobre peligros potenciales que pueden ocasionar la muerte o una lesión a usted y a los demás.

Todos los mensajes de seguridad irán a continuación del símbolo de advertencia de seguridad y de la palabra "PELIGRO" o "ADVERTENCIA". Estas palabras significan:

⚠ PELIGRO

Si no sigue las instrucciones de inmediato, usted puede morir o sufrir una lesión grave.

⚠ ADVERTENCIA

Si no sigue las instrucciones, usted puede morir o sufrir una lesión grave.

Todos los mensajes de seguridad le dirán el peligro potencial, le dirán cómo reducir las posibilidades de sufrir una lesión y lo que puede suceder si no se siguen las instrucciones.

INSTRUCCIONES IMPORTANTES DE SEGURIDAD

ADVERTENCIA: Para reducir el riesgo de incendio, choque eléctrico, o lesiones personales al usar su(s) cajón(cajones) refrigerado(s) siga estas precauciones básicas:

- Conecte a un contacto de pared de conexión a tierra de 3 terminales.
- No quite la terminal de conexión a tierra.
- No use un adaptador.
- No use un cable eléctrico de extensión.
- Desconecte el suministro de energía antes de darle servicio.
- Vuelva a colocar todos los componentes y paneles antes de hacerlo funcionar.
- Remueva la puerta o el(los) cajón(cajones) de su aparato refrigerado viejo.
- Use un limpiador no inflamable.
- Mantenga los materiales y vapores inflamables, tales como gasolina, alejados del(de los) cajón(cajones) refrigerado(s).
- Use dos o más personas para mover e instalar el(los) cajón(cajones) refrigerado(s).

GUARDE ESTAS INSTRUCCIONES

Cómo deshacerse adecuadamente de su aparato refrigerado viejo

Antes de descartar su aparato refrigerado viejo:

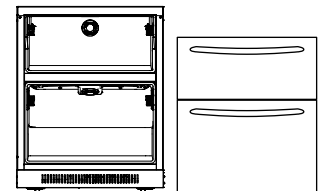
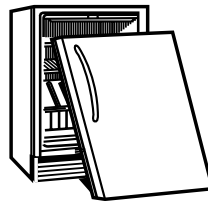
Saque la puerta o el(los) cajón(cajones).

⚠ ADVERTENCIA

Peligro de Asfixia

Remueva la puerta o el(los) cajón(cajones) de su aparato refrigerado viejo.

No seguir esta instrucción puede ocasionar la muerte o daño al cerebro.



IMPORTANTE: El atrapamiento y asfixia de niños no es un problema del pasado. Un aparato refrigerado tirado y abandonado es un peligro, aún si va a quedar ahí "por unos pocos días". Si Ud. está por deshacerse de su aparato refrigerado viejo, por favor siga las instrucciones que se dan a continuación para prevenir accidentes.

ANTES DEL USO

Cómo quitar los materiales de empaque

- Quite los residuos de cinta y goma de las superficies antes de encender los cajones refrigerados. Frote un poco de detergente líquido para vajillas sobre el resto de goma con los dedos. Limpie con agua tibia y seque.
- No use instrumentos filosos, alcohol para fricciones, líquidos inflamables o productos de limpieza abrasivos para eliminar los restos de cinta o goma. Estos productos pueden dañar la superficie de sus cajones refrigerados. Para obtener más información, vea “Seguridad de los cajones refrigerados”.

Limpieza antes del uso

Una vez que usted haya quitado todos los materiales de empaque, limpie el interior de sus cajones refrigerados antes de usarlos. Vea las instrucciones de limpieza en “Cuidado de los cajones refrigerados”.

USO DE LOS CAJONES REFRIGERADOS

⚠ ADVERTENCIA



Peligro de Choque Eléctrico

Conecte a un contacto de pared de conexión a tierra de 3 terminales.

No quite la terminal de conexión a tierra.

No use un adaptador.

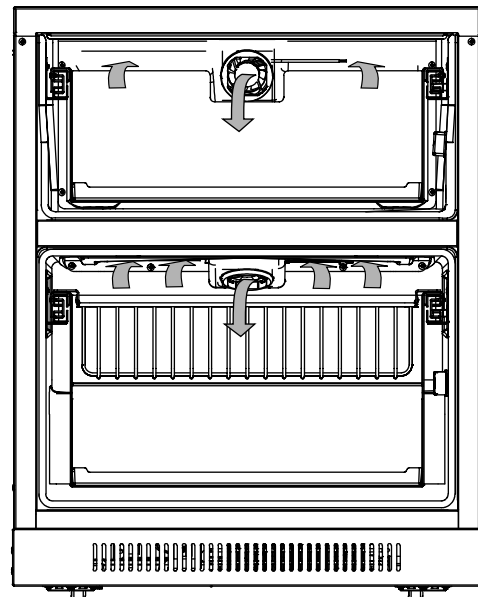
No use un cable eléctrico de extensión.

No seguir estas instrucciones puede ocasionar la muerte, incendio o choque eléctrico.

- La contracción y expansión de las paredes internas pueden causar un ligero estallido.
- Ud. puede escuchar aire forzado por el ventilador del condensador sobre el condensador.
- Ud. puede escuchar agua corriendo hacia la bandeja recolectora durante el ciclo de apagado (OFF).

Cómo asegurar la debida circulación de aire

Para asegurarse las temperaturas adecuadas, es necesario permitir que el aire circule dentro de los cajones.



No bloquee ninguno de los orificios de ventilación. Si los orificios de ventilación están bloqueados, se obstruirá el flujo del aire y puede dar lugar a problemas de temperatura y humedad.

IMPORTANTE: Para evitar la transferencia de olores y la deshidratación de los alimentos, envuelva o tape bien los alimentos.

Sonidos normales

Sus nuevos cajones refrigerados pueden hacer ruidos que sus viejos cajones refrigerados no hacían. Como estos sonidos son nuevos para Ud., puede ser que se preocupe. La mayoría de los sonidos nuevos son normales. Las superficies duras tales como el piso, paredes y gabinetes pueden hacer que los sonidos parezcan más fuertes. A continuación se describen los tipos de sonidos y qué puede causarlos.

- Sus cajones refrigerados están diseñados para funcionar con más eficiencia, y así conservar sus alimentos a la temperatura deseada y reducir al mínimo el uso de energía. El compresor y los ventiladores de alta eficiencia pueden causar que sus nuevos cajones refrigerados funcionen por períodos de tiempo más largos que sus cajones refrigerados viejos. También puede escuchar un sonido pulsante o agudo cuando el compresor o los ventiladores se ajustan para un funcionamiento óptimo.
- Puede ser que Ud. escuche el motor del ventilador del evaporador circulando el aire a través de los compartimientos de los cajones refrigerados. La velocidad del ventilador puede aumentar cuando se abren los cajones o se agregan alimentos tibios.
- Al final de cada ciclo, Ud. puede escuchar un gorgoteo debido al líquido refrigerante que corre a través de la tubería del sistema sellado.

Uso de los controles

Los paneles de control para ambos cajones refrigerados están ubicados en el cajón superior. Para ver y fijar el panel de control superior e inferior, jale hacia afuera el cajón superior.

El cajón superior es solamente refrigerador. El cajón inferior tiene un ajuste con modo dual para Refrigerator (Refrigerador) o Pantry (Despensa). El ajuste para despensa permite el almacenaje de alimentos o bebidas con un ajuste de temperatura de hasta 60°F (16°C). Vea “Ajustes de temperatura recomendados” más adelante en esta sección.

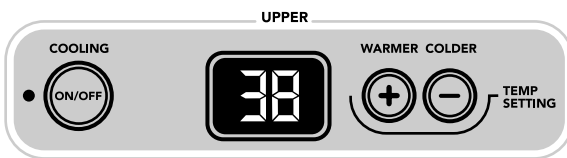
IMPORTANTE:

- El control del cajón superior regula la temperatura del refrigerador del cajón superior. El control del cajón inferior regula la temperatura del refrigerador o despensa del cajón inferior.
 - Espere 24 horas después de encender los cajones refrigerados antes de colocar alimentos en los cajones. Si agrega alimentos antes de que los cajones se hayan enfriado por completo, sus alimentos podrían echarse a perder.
- NOTA:** El colocar los controles en un ajuste más bajo (más frío) en uno o ambos cajones no los enfriará más rápido.
- Si la temperatura está demasiado caliente o demasiado fría en los cajones, antes de regular los controles revise primero los orificios de ventilación para cerciorarse de que no estén obstruidos.
 - Los ajustes prefijados deben ser los correctos para un uso doméstico normal. Los controles están fijados correctamente cuando la leche o el jugo están tan fríos como usted desea y cuando el pan, las papas y los vegetales permanecen frescos.

NOTA: Cuando encienda los cajones refrigerados, los mismos tendrán el punto fijo de fábrica en 38°F (3°C) para los compartimientos superior e inferior.

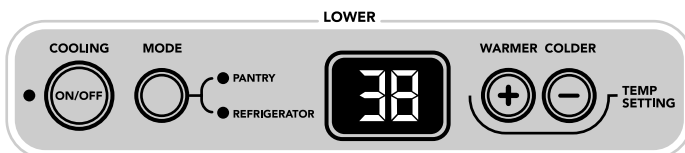
Panel de control del cajón superior - Solamente refrigerador

El panel de control del cajón superior fija la temperatura para el cajón superior. El cajón superior es solamente refrigerador.



Panel de control del cajón inferior - Refrigerador o despensa

El panel de control del cajón inferior fija la temperatura para el cajón inferior. El cajón inferior tiene dos ajustes: Refrigerator (Refrigerador) o Pantry (Despensa).



- Presione y sostenga MODE (Modo) por 3 segundos para fijar el cajón inferior en el ajuste de refrigerador o de despensa.

NOTA: El indicador azul se encenderá próximo al ajuste deseado. Asegúrese de regular el ajuste de temperatura de acuerdo con el ajuste seleccionado.

Cómo encender/apagar los cajones refrigerados y ver los puntos de ajuste fijos

- Presione COOLING (Enfriamiento) para encender los cajones refrigerados.
- Presione y sostenga COOLING por 3 segundos para apagar los cajones refrigerados.

NOTA: Después de haber encendido los cajones refrigerados, sonará la alarma de temperatura excesiva cada 1½ hora hasta que las temperaturas del refrigerador y la despensa estén por debajo de los 48°F (9°C) y 60°F (16°C) respectivamente.

Cómo ajustar los controles

IMPORTANTE: Espere por lo menos 24 horas entre ajustes. Vuelva a verificar las temperaturas antes de realizar otros ajustes.

Para regular las temperaturas de punto de ajuste:

- Presione el botón táctil PLUS (Más) (+) o MINUS (Menos) (-) del control del cajón superior hasta alcanzar el ajuste de temperatura deseado.
- NOTA:** El rango de punto de ajuste para el cajón superior es de 34°F a 45°F (1°C a 7°C).
- Presione el botón táctil PLUS (Más) (+) o MINUS (Menos) (-) del control del cajón inferior hasta alcanzar el ajuste de temperatura deseado.
- NOTA:** El rango de punto de ajuste para el modo de refrigerador del cajón inferior es de 34°F a 45°F (1°C a 7°C). El rango de punto de ajuste para el modo de despensa del cajón inferior es de 40°F a 60°F (5°C a 16°C).

Ajustes de temperatura recomendados

Cuando almacene alimentos o bebidas, tome como referencia la tabla a continuación para los ajustes de temperatura recomendados de fábrica.

ALIMENTO/ BEBIDA	CAJÓN	GRADOS
Vegetales/Moras	Superior Inferior-Modo de refrigerador	34°F (1°C)
Carnes/Pescado/ Mariscos	Superior Inferior-Modo de refrigerador	34°F (1°C)
Quesos	Superior Inferior-Modo de refrigerador o despensa	40°F (5°C)
Naranjas	Superior Inferior-Modo de refrigerador o despensa	43°F (6°C)
Melones	Inferior Modo de despensa	47°F (8°C)
Vino blanco	Inferior Modo de despensa	48°F (9°C)
Papas	Inferior Modo de despensa	54°F (12°C)
Sandía/Toronja	Inferior Modo de despensa	55°F (13°C)
Vino tinto	Inferior Modo de despensa	60°F (16°C)

Funciones adicionales del panel de control

Las funciones adicionales están ubicadas sobre el panel de control, en el cajón superior.

Holiday Mode (Modo de día de fiesta)

La característica Holiday Mode (Modo de día de fiesta) está diseñada para el viajero o para aquellos cuyas prácticas religiosas requieren apagar las luces. Al seleccionar esta función, los puntos fijos de temperatura permanecen sin cambiarse y las luces interiores se apagan. Para que los cajones refrigerados funcionen de modo eficaz, se recomienda que salga de Holiday Mode (Modo de día de fiesta) cuando ya no lo necesite.

- Presione y sostenga HOLIDAY MODE (Modo de día de fiesta) durante 3 segundos para encender la función de modo de día de fiesta. Presione y sostenga HOLIDAY MODE durante 3 segundos para que las luces vuelvan al funcionamiento normal.



Para ver las temperaturas en centígrados

- Presione el botón táctil °C TEMP SELECT (Seleccione la temperatura) para cambiar la información de la temperatura en la pantalla de Fahrenheit a centígrados.



NOTA: El indicador azul se encenderá para mostrar grados centígrados en la pantalla. Para volver a mostrar grados Fahrenheit, presione de nuevo °C TEMP SELECT.

Control Lockout (Bloqueo de los controles)

El panel de control del cajón superior e inferior puede bloquearse para evitar cambios accidentales de temperatura por parte de niños y animales domésticos.

- Presione y sostenga CONTROL LOCKOUT por 3 segundos para encender la característica del bloqueo de los controles. Para desactivar la característica, presione y sostenga CONTROL LOCKOUT por 3 segundos.



NOTA: Cuando está activado el bloqueo de los controles, los botones táctiles del panel de control no funcionarán. Cualquier intento de cambiar los ajustes producirá un sonido de bip indicando que el panel de control está bloqueado.

Alarma de temperatura excesiva

La característica de temperatura excesiva está diseñada para avisarle cuando la temperatura del refrigerador sobrepase los 48°F (9°C) o la temperatura de la despensa sobrepase los 60°F (16°C) por más de 1½ hora. La alarma sonora se apagará automáticamente cuando la temperatura vuelva al ajuste seleccionado de temperatura.

IMPORTANTE: Si se activa la alarma de temperatura excesiva, es posible que se eche a perder la comida. Vea “Cortes de corriente”. Reduzca al mínimo las veces que abre el cajón hasta que las temperaturas vuelvan a la normalidad.

Cajón abierto

La alarma de cajón abierto sonará y las luces interiores se apagarán cuando se haya dejado un cajón abierto por más de 10 minutos. Cuando se cierre el cajón, la alarma sonora volverá a ajustarse y se apagará.

CUIDADO DE LOS CAJONES REFRIGERADOS

Limpieza

⚠ ADVERTENCIA



Peligro de Explosión

Use un limpiador no inflamable.

No seguir esta instrucción puede ocasionar la muerte, explosión o incendio.

Los cajones se descongelan automáticamente cuando ambos están en el modo de refrigerador. No obstante, limpie ambos cajones más o menos una vez al mes para evitar la acumulación de olores. Limpie los derrames de inmediato.

Para limpiar sus cajones refrigerados:

1. Lave a mano, enjuague y seque todas las superficies interiores meticulosamente. Use una esponja limpia o un paño liso y un detergente suave en agua caliente.
 - No use productos de limpieza abrasivos o ásperos, como aerosoles para ventanas, productos de limpieza para pulir, líquidos inflamables, ceras para limpieza, detergentes concentrados, blanqueadores o productos de limpieza que contengan productos de petróleo en las partes de plástico, revestimientos de los cajones o empaquetaduras. No use toallas de papel, estropajos para fregar u otros utensilios de limpieza ásperos. Estos pueden rayar o dañar los materiales.
 - Para ayudar a eliminar olores, puede lavar las paredes interiores con una mezcla de agua tibia y bicarbonato de sodio (2 cucharadas en un cuarto de galón [26 g en 0,95 L] de agua).

2. Lave las superficies externas metálicas pintadas y de acero inoxidable con una esponja limpia o un paño suave y detergente delicado con agua tibia. No use productos de limpieza abrasivos o ásperos. Seque meticulosamente con un paño suave. Para obtener una protección adicional contra daños a las superficies exteriores metálicas pintadas, aplique cera para electrodomésticos (o cera en pasta para autos) con un paño limpio y suave. No encere las partes de plástico.

NOTA: Para mantener como nuevos sus cajones refrigerados de acero inoxidable y para quitar marcas o rayaduras pequeñas, se sugiere usar un limpiador de acero inoxidable aprobado por el fabricante. Para ordenar el limpiador, vea “Accesorios”.

IMPORTANTE: ¡Este limpiador es solamente para partes de acero inoxidable!

No permita que el limpiador para acero inoxidable entre en contacto con ninguna parte de plástico tales como las piezas decorativas o las empaquetaduras de los cajones. Si se produce contacto accidental, limpie la pieza de plástico con una esponja y detergente suave en agua tibia. Seque meticulosamente con un paño suave.

Cortes de corriente

Si no va a haber electricidad por 24 horas o menos, mantenga los dos cajones refrigerados cerrados para que los alimentos se mantengan fríos.

Si el corte de electricidad va a durar más de 24 horas haga lo siguiente:

- Ponga todos los alimentos perecederos en una conservadora de alimentos o en un enfriador con hielo seco.

- Si no tiene conservadora de alimentos ni enfriador, consuma los alimentos si aún están fríos o deshágase de los alimentos perecederos de inmediato.

Cuidado durante las vacaciones

Sus cajones refrigerados están equipados con la característica Holiday Mode (Modo de día de fiesta). Al seleccionar esta función, los puntos fijos de temperatura permanecen sin cambiarse y las luces interiores se apagan. Para que los cajones refrigerados funcionen de modo eficaz, se recomienda que salga de Holiday Mode (Modo de día de fiesta) cuando ya no lo necesite.

Si usted decide dejar los cajones refrigerados funcionando mientras está ausente:

1. Use todos los artículos perecederos y congele el resto.
2. Presione el botón táctil de HOLIDAY MODE (Modo de día de fiesta).
3. Cuando usted vuelva de sus vacaciones, presione el botón táctil HOLIDAY MODE para volver al funcionamiento normal.

Si usted decide apagar los cajones refrigerados antes de irse:

1. Saque toda la comida de los cajones refrigerados.
2. Fije el panel de control para los cajones superior e inferior en Off (Apagado). Vea “Uso de los controles”.
3. Limpie los cajones refrigerados, páseles un trapo y séquelos bien.
4. Fije bloques de goma o de madera con cinta adhesiva a ambos cajones para que queden abiertos y el aire circule. Esto evita que se formen olores y que crezcan hongos.

SOLUCIÓN DE PROBLEMAS

Primero pruebe las soluciones sugeridas aquí para evitar el costo innecesario del servicio.

Sus cajones refrigerados no funcionan

⚠ ADVERTENCIA



Peligro de Choque Eléctrico

Conecte a un contacto de pared de conexión a tierra de 3 terminales.

No quite la terminal de conexión a tierra.

No use un adaptador.

No use un cable eléctrico de extensión.

No seguir estas instrucciones puede ocasionar la muerte, incendio o choque eléctrico.

- **¿Está desenchufado el cable de suministro de energía?** Conecte a un contacto de pared de conexión a tierra de 3 terminales.
- **¿Hay un fusible de la casa fundido o se disparó el cortacircuitos?** Reemplace el fusible o reposicione el cortacircuitos. Si el problema continúa, llame a un electricista.

- **¿Está el control de los cajones refrigerados fijo en la posición Apagado (Off)?** Vea “Uso de los controles”.
- **¿No están funcionando los controles de los cajones refrigerados?** El interruptor de On/Off (Encendido/Apagado) está ubicado detrás de la rejilla de la base. Vea la Guía de instalación. Si esto no corrige el problema, llame al servicio técnico.
- **¿No están enfriando los cajones refrigerados?** Gire la unidad a apagado (Off) y luego a Encendido (On) para reajustarla. Vea “Uso de los controles”. Si esto no corrige el problema, llame al servicio técnico.

Las luces no funcionan

- **¿Está desenchufado el cable de suministro de energía?** Conecte a un contacto de pared de conexión a tierra de 3 terminales.
- **¿No están funcionando los controles de los cajones refrigerados?** El interruptor de On/Off (Encendido/Apagado) está ubicado detrás de la rejilla de la base. Vea la Guía de instalación. Si esto no corrige el problema, llame al servicio técnico.
- **¿Ha estado un cajón abierto por más de 10 minutos?** Cuando un cajón queda abierto por más de 10 minutos, las luces interiores se apagan. Vea “Cajón abierto” en “Uso de los controles”.

Parece que el motor funciona excesivamente

- **¿Está la temperatura ambiente más caliente que lo normal?** En condiciones de calor, el motor funciona por periodos más largos. Cuando la temperatura ambiente es normal, el motor funciona el 80% del tiempo. Si la habitación está caliente, puede funcionar por más tiempo.
- **¿Se acaba de agregar una gran cantidad de alimentos a los cajones refrigerados?** Agregar grandes cantidades de alimentos hace que se calienten los cajones refrigerados. Es normal que el motor funcione por periodos más prolongados para volver a enfriar los cajones refrigerados.
- **¿Se abren los cajones con frecuencia?** Cuando esto ocurre, el motor funcionará por periodos más largos. Para ahorrar energía, trate de sacar todo lo que necesita del refrigerador de una sola vez, mantenga los alimentos organizados y cierre el cajón inmediatamente después de sacarlos.
- **¿No se han ajustado los controles correctamente de acuerdo con las condiciones circundantes?** Vea “Uso de los controles”.
- **¿No están los cajones completamente cerrados?** Cierre los cajones con firmeza. Si no cierran completamente, vea “Los cajones no cierran completamente” más adelante en esta sección.
- **¿No están selladas por completo las empaquetaduras de los cajones?** Llame a una persona calificada o a un técnico.

Los cajones refrigerados parecen hacer mucho ruido

Los sonidos pueden ser normales para sus cajones refrigerados. Vea “Sonidos normales”.

El divisor entre los dos compartimientos está caliente

Probablemente el calor se debe al funcionamiento normal del control automático de humedad exterior. Si sigue teniendo problemas, solicite servicio.

La temperatura está demasiado caliente

- **¿Están bloqueados los orificios de ventilación en cualquiera de los compartimientos?** Esto obstruye el movimiento de aire frío entre los compartimientos. Saque todos los objetos que bloquean los orificios de ventilación. Vea la ubicación de los orificios en “Cómo asegurar la debida circulación del aire”.
- **¿Se abren los cajones con frecuencia?** Los cajones refrigerados se calientan cuando esto ocurre. Mantenga los cajones refrigerados fríos sacando todo lo que necesite de una sola vez, manteniendo los alimentos organizados y cerrando la puerta inmediatamente después de sacarlos.

- **¿Se acaba de agregar una gran cantidad de alimentos a los cajones refrigerados?** Agregar grandes cantidades de alimentos hace que se calienten los cajones refrigerados. Pueden transcurrir varias horas para que los cajones refrigerados recuperen su temperatura normal.
- **¿Se han ajustado los controles correctamente de acuerdo con las condiciones circundantes?** Vea “Uso de los controles”.
- **¿No están enfriando los cajones refrigerados?** Apáguelos y luego enciéndalos nuevamente para reajustarlos. Vea “Uso de los controles”. Si esto no corrige el problema, llame al servicio técnico.

Hay acumulación de humedad en el interior

- **¿Están bloqueados los orificios de ventilación en los cajones refrigerados?** Saque todos los objetos que bloquean los orificios de ventilación. Vea la ubicación de los orificios en “Cómo asegurar la debida circulación del aire”.
- **¿Se abren los cajones con frecuencia?** Evite la acumulación de humedad sacando todo lo que necesita de una sola vez, mantenga los alimentos organizados y cierre el cajón inmediatamente después de sacarlos.
- **¿Está húmeda la habitación?** Es normal que se acumule humedad dentro de los cajones refrigerados cuando el aire exterior está húmedo.
- **¿Se han envuelto correctamente los alimentos?** Verifique que todos los alimentos estén bien envueltos. Seque los envases de alimentos que estén húmedos antes de colocarlos en los cajones refrigerados.
- **¿Se han ajustado los controles correctamente de acuerdo con las condiciones circundantes?** Vea “Uso de los controles”.

Los cajones no cierran completamente

- **¿Hay paquetes de comida que impiden que se cierre el cajón?** Ordene los recipientes de manera que queden más juntos y ocupen menos espacio.

Es difícil abrir los cajones

ADVERTENCIA



Peligro de Explosión

Use un limpiador no inflamable.

No seguir esta instrucción puede ocasionar la muerte, explosión o incendio.

- **¿Están las empaquetaduras sucias o pegajosas?** Limpie las empaquetaduras y las superficies que éstas toquen. Frote una capa delgada de cera de parafina sobre las empaquetaduras, después de la limpieza.

AYUDA O SERVICIO TÉCNICO

Antes de solicitar ayuda o servicio técnico, por favor consulte la sección “Solución de problemas”. Esto le podría ahorrar el costo de una visita de servicio técnico. Si considera que aún necesita ayuda, siga las instrucciones que aparecen a continuación.

Cuando llame, tenga a mano la fecha de compra y el número completo del modelo y de la serie de su electrodoméstico. Esta información nos ayudará a atender mejor a su pedido.

En los EE.UU.

Si el problema no se debe a algunos de los puntos indicados en la sección de “Solución de problemas”...

Llame al distribuidor en donde compró su electrodoméstico o llame a Maytag Services, LLC, Centro de ayuda al cliente de Jenn-Air al **1-800-JENNAIR (1-800-536-6247)** para ubicar una compañía de servicio autorizado. Cuando llame, tenga a mano la fecha de compra y el número completo del modelo y de la serie de su electrodoméstico. Asegúrese de tener el comprobante de compra para verificar el estado de la garantía.

Si el distribuidor o la compañía de servicio no pueden resolver su problema, escriba a:

Maytag Services, LLC

Attn.: CAIR® Center

P.O. Box 2370

Cleveland, TN 37320-2370

Dirección del sitio de internet: www.jennair.com

O llame al: **1-800-JENNAIR (1-800-536-6247)**.

Los clientes de EE.UU. que usen TTY (teléfono de texto) para sordos, personas con problemas de audición o de habla, deberán llamar al: **1-800-688-2080** (de lunes a viernes, de 8 a.m. a 8 p.m., hora del este).

NOTA: Cuando escriba o llame acerca de un problema de servicio, sírvase incluir la siguiente información:

1. Su nombre, dirección y número de teléfono de día.
2. El número de modelo y de serie de su electrodoméstico.
3. Nombre y dirección de su distribuidor o prestador de servicio.
4. Una descripción detallada del problema que está teniendo.
5. Comprobante de compra (recibo de compra).

Los manuales para usuarios, manuales de servicio técnico e información acerca de las piezas están disponibles en el Centro de ayuda al cliente de Maytag Services, LLC.

En Canadá

Si el problema no se debe a algunos de los puntos indicados en la sección de “Solución de problemas”...

Llame al distribuidor en donde compró su electrodoméstico o llame a Whirlpool Canada LP, Centro de interacción del cliente al **1-800-807-6777** para ubicar una compañía de servicio autorizado. Cuando llame, tenga a mano la fecha de compra y el número completo del modelo y de la serie de su electrodoméstico. Asegúrese de tener el comprobante de compra para verificar el estado de la garantía.

Si el distribuidor o la compañía de servicio no pueden resolver su problema, escriba a:

Whirlpool Canada LP

Customer Interaction Centre

1901 Minnesota Court

Mississauga, ON L5N 3A7

Dirección del sitio de internet: www.jennair.ca

O llame al: **1-800-807-6777**.

NOTA: Cuando escriba o llame acerca de un problema de servicio, sírvase incluir la siguiente información:

1. Su nombre, dirección y número de teléfono de día.
2. El número de modelo y de serie de su electrodoméstico.
3. Nombre y dirección de su distribuidor o prestador de servicio.
4. Una descripción detallada del problema que está teniendo.
5. Comprobante de compra (recibo de compra).

Los manuales para usuarios, manuales de servicio técnico e información acerca de las piezas están disponibles en el Centro de interacción del cliente de Whirlpool Canada LP.

GARANTÍA DEL REFRIGERADOR JENN-AIR®

GARANTÍA LIMITADA DE UN AÑO

Durante un año a partir de la fecha de compra, siempre y cuando se dé a este electrodoméstico principal un uso y mantenimiento de conformidad con las instrucciones adjuntas o provistas con el producto, la marca Jenn-Air de Maytag Corporation o Maytag Limited (en lo sucesivo denominada "Jenn-Air") se hará cargo del costo de las piezas de repuesto especificadas de fábrica y del trabajo de reparación para corregir defectos en los materiales o en la mano de obra. El servicio deberá ser suministrado por una compañía de servicio designada por Jenn-Air. Esta garantía limitada se aplica sólo cuando el electrodoméstico principal se use en el país en donde se compró.

En los modelos con un filtro de agua: garantía limitada de 30 días del filtro de agua. Durante 30 días a partir de la fecha de compra, siempre y cuando se dé al filtro un uso y mantenimiento de conformidad con las instrucciones adjuntas o provistas con el producto, Jenn-Air se hará cargo del costo de las piezas de repuesto para corregir defectos en los materiales o en la mano de obra.

GARANTÍA LIMITADA DEL SEGUNDO AL QUINTO AÑO EN EL REVESTIMIENTO DE LA CAVIDAD Y LAS PIEZAS DEL SISTEMA DE REFRIGERACIÓN SELLADO

Durante el segundo al quinto año desde la fecha de compra, cuando este electrodoméstico principal sea operado y mantenido de acuerdo a las instrucciones adjuntas o provistas con el producto, Jenn-Air pagará por las piezas de repuesto del revestimiento de la cavidad del refrigerador/congelador (incluyendo los costos de mano de obra) si la pieza se rompiera debido a defectos de material o de mano de obra. Además, del segundo al quinto año de la fecha de compra, Jenn-Air pagará por las piezas especificadas de fábrica y mano de obra para corregir defectos en los materiales o la mano de obra en el sistema de refrigeración sellado. Estas piezas son: compresor, evaporador, condensador, secador y los tubos conectores. El servicio deberá ser suministrado por una compañía de servicio designada por Jenn-Air.

JENN-AIR NO PAGARÁ POR LOS SIGUIENTES ARTÍCULOS

1. Visitas de servicio técnico para corregir la instalación de su electrodoméstico principal, para enseñarle a usar su electrodoméstico principal, para cambiar o reparar fusibles domésticos o para corregir la instalación eléctrica o de la tubería de la casa.
2. Visitas de servicio técnico para reparar o reemplazar focos para electrodomésticos, filtros de aire o filtros de agua. Esos insumos están excluidos de la cobertura de la garantía.
3. Reparaciones cuando su electrodoméstico principal se use de un modo diferente al doméstico normal de una familia.
4. Daños causados por accidente, alteración, uso indebido, abuso, incendio, inundación, actos fortuitos, instalación incorrecta, instalación que no esté de acuerdo con los códigos eléctricos o de plomería, o el empleo de productos no aprobados por Jenn-Air.
5. Cualquier pérdida de comida debido a fallas del refrigerador o del congelador.
6. Piezas de repuesto o gastos de reparación para electrodomésticos que se empleen fuera de los Estados Unidos o Canadá.
7. Recogida y entrega. Este electrodoméstico principal está diseñado para ser reparado en el hogar.
8. Reparaciones de piezas o sistemas como resultado de modificaciones no autorizadas que se hayan efectuado en el electrodoméstico.
9. Gastos de viaje y transporte para obtener servicio del producto en lugares remotos.
10. La remoción e instalación de su electrodoméstico si estuviera instalado en un lugar inaccesible o si no estuviera instalado de conformidad con las instrucciones de instalación publicadas.
11. Piezas de repuesto o gastos de reparación cuando el electrodoméstico principal se use en un país diferente del país en donde se compró.

EXCLUSIÓN DE GARANTÍAS IMPLÍCITAS; LIMITACIÓN DE RECURSOS

EL ÚNICO Y EXCLUSIVO RECURSO DEL CLIENTE SEGÚN LOS TÉRMINOS DE ESTA GARANTÍA LIMITADA SERÁ EL DE REPARAR EL PRODUCTO SEGÚN SE ESTIPULA EN LA PRESENTE. LAS GARANTÍAS IMPLÍCITAS, INCLUYENDO LAS GARANTÍAS DE COMERCIABILIDAD O DE CAPACIDAD PARA UN PROPÓSITO PARTICULAR, SERÁN LIMITADAS A UN AÑO O AL PERÍODO MÁS CORTO PERMITIDO POR LEY. JENN-AIR NO SE RESPONSABILIZARÁ POR DAÑOS INCIDENTALES O CONSECUENTES. ALGUNOS ESTADOS Y PROVINCIAS NO PERMITEN LAS EXCLUSIONES O LIMITACIONES POR DAÑOS INCIDENTALES O CONSECUENTES, O LIMITACIONES ACERCA DE CUÁNTO DEBE DURAR UNA GARANTÍA IMPLÍCITA DE COMERCIABILIDAD O CAPACIDAD, DE MODO QUE LAS LIMITACIONES O EXCLUSIONES ARRIBA MENCIONADAS PUEDEN NO APLICARSE EN SU CASO. ESTA GARANTÍA LE OTORGA DERECHOS LEGALES ESPECÍFICOS Y ES POSIBLE QUE USTED TENGA TAMBIÉN OTROS DERECHOS QUE PUEDEN VARIAR DE UN ESTADO A OTRO O DE UNA PROVINCIA A OTRA.

Esta garantía no tiene vigor fuera de los cincuenta Estados Unidos y Canadá. Póngase en contacto con el distribuidor autorizado de Jenn-Air para determinar si corresponde otra garantía.

Si necesita servicio, consulte primero la sección "Solución de problemas" del Manual de uso y cuidado. Después de consultar la sección "Solución de problemas", puede encontrar ayuda adicional en la sección "Ayuda o servicio técnico," o llamando a Jenn-Air. En EE.UU., llame al **1-800-JENNAIR (1-800-536-6247)**. En Canadá, llame al **1-800-807-6777**. 2/07

Guarde este libro y su comprobante de compra juntos para referencia futura. Usted deberá proporcionar el comprobante de la compra o una fecha de instalación para obtener servicio bajo la garantía.

Escriba la siguiente información acerca de su electrodoméstico principal para ayudarlo mejor a obtener asistencia o servicio técnico si alguna vez llegara a necesitarlo. Deberá tener a mano el número completo del modelo y de la serie. Usted puede encontrar esta información en la etiqueta con el número de modelo y de serie ubicada en el producto.

Nombre del distribuidor _____

Dirección _____

Número de teléfono _____

Número de modelo _____

Número de serie _____

Fecha de compra _____

SÉCURITÉ DES TIROIRS RÉFRIGÉRÉS

Votre sécurité et celle des autres est très importante.

Nous donnons de nombreux messages de sécurité importants dans ce manuel et sur votre appareil ménager. Assurez-vous de toujours lire tous les messages de sécurité et de vous y conformer.



Voici le symbole d'alerte de sécurité.

Ce symbole d'alerte de sécurité vous signale les dangers potentiels de décès et de blessures graves à vous et à d'autres.

Tous les messages de sécurité suivront le symbole d'alerte de sécurité et le mot "DANGER" ou "AVERTISSEMENT". Ces mots signifient :

⚠ DANGER

Risque possible de décès ou de blessure grave si vous ne suivez pas immédiatement les instructions.

⚠ AVERTISSEMENT

Risque possible de décès ou de blessure grave si vous ne suivez pas les instructions.

Tous les messages de sécurité vous diront quel est le danger potentiel et vous disent comment réduire le risque de blessure et ce qui peut se produire en cas de non-respect des instructions.

IMPORTANTES INSTRUCTIONS DE SÉCURITÉ

AVERTISSEMENT : Pour réduire les risques d'incendie, de choc électrique ou de blessures lors de l'utilisation du(des) tiroir(s) réfrigéré(s), prendre quelques précautions fondamentales, y compris les suivantes :

- Brancher l'appareil sur une prise à 3 alvéoles reliée à la terre.
- Ne pas enlever la broche de liaison à la terre.
- Ne pas utiliser un adaptateur.
- Ne pas utiliser un câble de rallonge.
- Déconnecter la source de courant électrique avant l'entretien.
- Replacer pièces et panneaux avant de faire la remise en marche.
- Ôter la porte ou le(s) tiroir(s) de votre vieil appareil réfrigéré.
- Utiliser un produit de nettoyage ininflammable.
- Garder les matières et les vapeurs inflammables, telle que l'essence, loin du(des) tiroir(s) réfrigéré(s).
- Utiliser deux ou plus de personnes pour déplacer et installer le(s) tiroir(s) réfrigéré(s).

CONSERVEZ CES INSTRUCTIONS

Mise au rebut correcte de votre vieil appareil réfrigéré

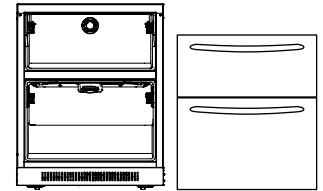
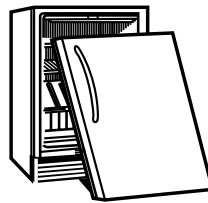
Avant de jeter votre vieil appareil réfrigéré :
Enlever la porte ou le(s) tiroir(s).

⚠ AVERTISSEMENT

Risque de suffoquer

Ôter la porte ou le(s) tiroir(s) de votre vieil appareil réfrigéré.

Le non-respect de cette instruction peut causer un décès ou des lésions cérébrales.



IMPORTANT : L'emprisonnement et l'étouffement des enfants ne sont pas un problème du passé. Le vieil appareil réfrigéré jetés ou abandonnés sont encore dangereux, même s'ils sont laissés abandonnés pendant "quelques jours seulement". Si vous vous débarrassez de votre vieil appareil réfrigéré, veuillez suivre les instructions suivantes pour aider à éviter les accidents.

AVANT L'UTILISATION

Enlèvement des matériaux d'emballage

- Enlever tout résidu de ruban adhésif et de colle des surfaces avant de mettre en marche les tiroirs réfrigérés. Frotter une petite quantité de savon liquide à vaisselle sur le résidu de colle avec les doigts. Rincer à l'eau tiède et sécher.
- Ne pas utiliser d'instruments coupants, d'alcool à friction, de liquides inflammables ou de nettoyants abrasifs pour enlever le ruban adhésif ou la colle. Ces produits peuvent endommager la surface de vos tiroirs réfrigérés. Pour plus de renseignements, voir "Sécurité des tiroirs réfrigérés".

Nettoyage avant utilisation

Après avoir enlevé tous les matériaux d'emballage, nettoyer l'intérieur des tiroirs réfrigérés avant de les utiliser. Voir les instructions de nettoyage dans "Entretien des tiroirs réfrigérés".

UTILISATION DES TIROIRS RÉFRIGÉRÉS

⚠ AVERTISSEMENT



Risque de choc électrique

Brancher sur une prise à 3 alvéoles reliée à la terre.

Ne pas enlever la broche de liaison à la terre.

Ne pas utiliser un adaptateur.

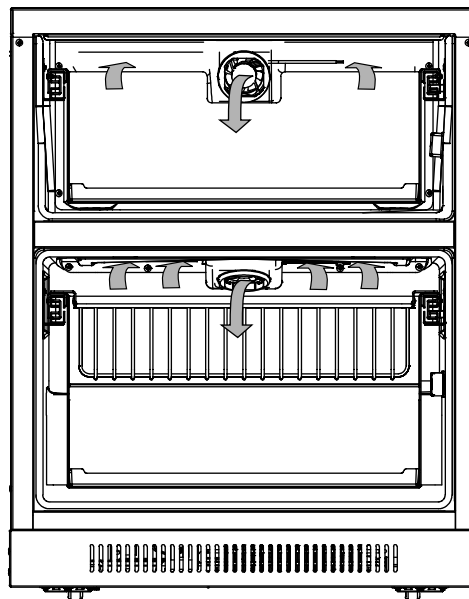
Ne pas utiliser un câble de rallonge.

Le non-respect de ces instructions peut causer un décès, un incendie ou un choc électrique.

- À la fin de chaque programme, vous pouvez entendre un gargouillement attribuable au réfrigérant qui s'écoule dans le tube du système scellé.
- La contraction et l'expansion des parois internes peuvent produire un bruit sec.
- Il est possible que vous entendiez de l'air qui est transmis au condenseur par le ventilateur du condenseur.
- Il est possible que vous entendiez l'écoulement de l'eau dans le plateau de dégivrage pendant le programme OFF (arrêt).

Pour assurer une circulation d'air correcte

Pour garantir des températures appropriées, il est nécessaire de permettre la circulation de l'air à l'intérieur des tiroirs.



Ne pas bloquer les ouvertures d'aération. Si les ouvertures d'aération sont bloquées, le courant d'air est obstrué et des problèmes de température et d'humidité peuvent survenir.

IMPORTANT : Pour éviter le transfert d'odeurs et l'assèchement des aliments, envelopper ou recouvrir hermétiquement les aliments.

Sons normaux

Il est possible que les tiroirs réfrigérés neufs émettent des bruits que l'appareil précédent ne produisait pas. Comme ces sons sont nouveaux, ils peuvent vous inquiéter. La plupart de ces nouveaux sons sont normaux. Les sons peuvent vous sembler plus forts avec des surfaces dures comme le sol, les murs et les armoires. Les descriptions suivantes indiquent les genres de sons et leur cause possible.

- Vos tiroirs réfrigérés sont conçus pour fonctionner de manière plus efficace afin de conserver vos aliments aux températures désirées et de minimiser la consommation d'énergie. Le compresseur et les ventilateurs à haute efficacité peuvent faire fonctionner vos tiroirs réfrigérés plus longtemps que l'ancien appareil. Il se peut également que vous entendiez un bruit saccadé ou aigu provenant du compresseur ou des ventilateurs qui s'ajustent pour optimiser la performance.
- Vous pouvez entendre le moteur du ventilateur de l'évaporateur qui fait circuler l'air à travers les compartiments des tiroirs réfrigérés. La vitesse du ventilateur peut augmenter si les tiroirs sont ouverts ou si vous ajoutez des aliments chauds.

Utilisation des commandes

Les tableaux de commande des deux tiroirs réfrigérés sont situés dans le tiroir supérieur. Pour visualiser et régler les tableaux de commande supérieur et inférieur, tirer sur le tiroir supérieur pour le sortir.

Le tiroir supérieur fonctionne uniquement comme réfrigérateur. Le tiroir inférieur comporte un mode double pour fonctionner comme réfrigérateur ou comme garde-manger. Le réglage garde-manger permet la conservation d'aliments ou de boissons jusqu'à un réglage de température de 60°F (16°C). Voir "Réglages de températures recommandés" plus loin dans cette section.

IMPORTANT :

- La commande du tiroir supérieur ajuste la température du tiroir réfrigéré supérieur. La commande du tiroir inférieur ajuste la température du tiroir réfrigéré inférieur ou du tiroir du garde-manger.
- Attendre 24 heures après avoir mis les tiroirs réfrigérés en marche avant d'y ajouter des aliments. Si on ajoute des aliments avant que les tiroirs réfrigérés aient complètement refroidi, les aliments risquent de s'abîmer.

REMARQUE : L'ajustement des commandes à un réglage inférieur (plus froid) dans l'un des tiroirs ou les deux ne les refroidira pas plus rapidement.

- Si la température est trop tiède ou trop froide dans les tiroirs réfrigérés, vérifier d'abord les ouvertures d'évacuation pour vous assurer qu'elles ne sont pas bloquées avant de régler les commandes.
- Les réglages pré-réglés devraient être corrects pour l'utilisation domestique normale. Les commandes sont réglées correctement lorsque le lait ou le jus sont aussi froids que vous l'aimez et lorsque le pain, les pommes de terre et les légumes restent frais.

REMARQUE : Lorsqu'on met en marche les tiroirs réfrigérés, ils sont réglés par défaut à la valeur de réglage d'usine de 38°F (3°C) pour les compartiments supérieur et inférieur.

Tableau de commande du tiroir supérieur - Réfrigérateur seulement

Le tableau de commande supérieur règle la température du tiroir supérieur. Le tiroir supérieur fonctionne uniquement comme réfrigérateur.

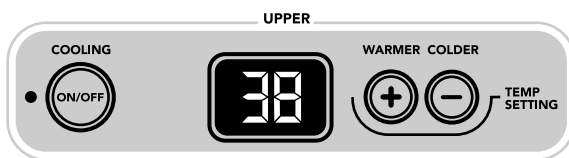
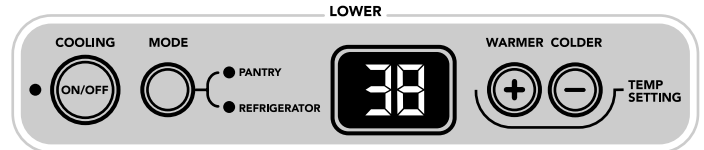


Tableau de commande du tiroir inférieur - Réfrigérateur ou garde-manger

Le tableau de commande inférieur règle la température du tiroir inférieur. Le tiroir inférieur comporte deux réglages : réfrigérateur ou garde-manger.



- Appuyer sur MODE pendant trois secondes pour régler le tiroir inférieur sur le mode réfrigérateur ou sur le mode garde-manger.

REMARQUE : Le témoin indicateur bleu s'allumera à côté du mode désiré. Veiller à ajuster le réglage de température correspondant au mode choisi.

Mise en marche/arrêt des tiroirs réfrigérés et visualisation des points de réglage

- Appuyer sur COOLING (refroidissement) pour mettre en marche les tiroirs réfrigérés.
- Appuyer sur COOLING pendant trois secondes pour éteindre les tiroirs réfrigérés.

REMARQUE : Après la mise en marche des tiroirs réfrigérés, l'alarme de dépassement de la température retentira toutes les 1½ heures et demi jusqu'à ce que les températures du réfrigérateur et du garde-manger soient inférieures à 48°F (9°C) et 60°F (16°C) respectivement.

Ajustement des commandes

IMPORTANT : Attendre au moins 24 heures entre les ajustements. Vérifier de nouveau les températures avant de procéder à d'autres ajustements.

S'il est nécessaire d'ajuster la température :

- Appuyer sur la touche PLUS (+) ou MOINS (-) de la commande du tiroir supérieur jusqu'à ce que le réglage de température désiré soit atteint.

REMARQUE : La gamme de valeurs de réglage pour le tiroir supérieur va de 34°F à 45°F (1°C à 7°C).

- Appuyer sur la touche PLUS (+) ou MOINS (-) de la commande du tiroir inférieur jusqu'à ce que le réglage de température désiré soit atteint.

REMARQUE : La gamme de valeurs de réglage pour le mode réfrigérateur du tiroir inférieur va de 34°F à 45°F (1°C à 7°C). La gamme du mode garde-manger du tiroir inférieur va de 40°F à 60°F (5°C à 16°C).

Réglages de température recommandés

Lors de la conservation d'aliments ou de boissons, se reporter au tableau ci-dessous pour les réglages de température recommandés par le fabricant.

ALIMENTS/ BOISSONS	TIROIR	DEGRÉS
Légumes/Baies	Supérieur Inférieur–Mode réfrigérateur	34°F (1°C)
Viandes/Poisson/ Fruits de mer	Supérieur Inférieur–Mode réfrigérateur	34°F (1°C)
Fromages	Supérieur Inférieur–Mode réfrigérateur ou garde-manger	40°F (5°C)
Oranges	Supérieur Inférieur–Mode réfrigérateur ou garde-manger	43°F (6°C)
Melons	Inférieur Mode garde-manger	47°F (8°C)
Vin blanc	Inférieur Mode garde-manger	48°F (9°C)
Pommes de terre	Inférieur Mode garde-manger	54°F (12°C)
Pastèque/Raisin	Inférieur Mode garde-manger	55°F (13°C)
Vin rouge	Inférieur Mode garde-manger	60°F (16°C)

Caractéristiques supplémentaires du tableau de commande

Les caractéristiques supplémentaires sont situées sur le tableau de commande dans le tiroir supérieur.

Holiday Mode (Mode vacances)

La caractéristique Mode vacances est conçue pour les personnes qui partent en voyage ou pour celles dont les pratiques religieuses requièrent d'éteindre les lumières. En sélectionnant cette caractéristique, les points de réglage de température restent inchangés et les lampes intérieures s'éteignent. Pour un fonctionnement plus efficace des tiroirs réfrigérés, il est recommandé de sortir du Mode vacances lorsque celui-ci n'est plus nécessaire.

- Appuyer sur HOLIDAY MODE pendant trois secondes pour activer le Mode vacances. Appuyer sur HOLIDAY MODE pendant trois secondes pour faire fonctionner à nouveau les lampes normalement.



Visualisation des températures en Celsius

- Appuyer sur la touche °C TEMP SELECT pour passer d'un affichage de la température en Fahrenheit à un affichage en Celsius.



REMARQUE : Le témoin indicateur bleu s'allumera pour afficher les degrés Celsius. Pour afficher à nouveau les degrés Fahrenheit, appuyer à nouveau sur °C TEMP SELECT.

Control Lockout (Verrouillage des commandes)

La caractéristique de verrouillage des commandes empêche la modification non intentionnelle des commandes des tiroirs supérieur et inférieur.

- Appuyer sur CONTROL LOCKOUT pendant trois secondes pour activer la caractéristique de verrouillage des commandes. Pour désactiver la caractéristique, appuyer sur CONTROL LOCKOUT pendant trois secondes.



REMARQUE : Lorsque le verrouillage des commandes est activé, les touches du tableau de commande ne fonctionnent pas. Toute tentative de modification des réglages provoquera un bip pour indiquer que le tableau de commande est verrouillé.

Alarme de dépassement de la température

La caractéristique Over Temperature (dépassement de la température) est conçue pour vous avertir lorsque la température du réfrigérateur dépasse 48°F (9°C) ou lorsque celle du garde-manger dépasse 60°C (16°C) pendant plus d'une heure et demie. L'alarme sonore s'éteint automatiquement lorsque la température revient au réglage de température choisi.

IMPORTANT : Si l'alarme de dépassement de la température s'active, les aliments peuvent s'abîmer. Voir "Pannes de courant". Minimiser les ouvertures du tiroir jusqu'à ce que les températures reviennent à la normale.

Tiroir ouvert

L'alarme de tiroir ouvert retentit et les lumières intérieures s'éteignent lorsqu'un tiroir a été ouvert pendant plus de 10 minutes. Lorsque le tiroir est fermé, l'alarme sonore se réinitialise et s'éteint.

ENTRETIEN DES TIROIRS RÉFRIGÉRÉS

Nettoyage

AVERTISSEMENT



Risque d'explosion

Utiliser un produit de nettoyage ininflammable.

Le non-respect de cette instruction peut causer un décès, une explosion ou un incendie.

Les tiroirs réfrigérés dégivrent automatiquement lorsqu'ils sont tous les deux en mode réfrigérateur. Toutefois, nettoyer les deux tiroirs environ une fois par mois pour éviter une accumulation d'odeurs. Essuyer les renversements immédiatement.

Pour nettoyer les tiroirs réfrigérés :

1. Laver à la main, rincer et sécher parfaitement les surfaces internes. Utiliser une éponge propre ou un linge doux et un détergent doux dans de l'eau tiède.
 - Ne pas utiliser de nettoyants abrasifs tels que les nettoyants à vitre en atomiseurs, nettoyants à récureur, liquides inflammables, cires nettoyantes, détergents concentrés, eaux de Javel ou nettoyants contenant du pétrole sur les pièces en plastique, les garnitures intérieures et de tiroir ou les joints de tiroir. Ne pas utiliser d'essuie-tout, tampons à récureur ou autres outils de nettoyage abrasifs. Ces produits risquent d'égratigner ou d'endommager les matériaux.
 - Pour aider à éliminer les odeurs, on peut laver les parois intérieures avec un mélange d'eau tiède et de bicarbonate de soude (2 c. à soupe pour 1 pinte [26 g pour 0,95 L] d'eau).
2. Laver les surfaces extérieures en acier inoxydable ou peintes avec une éponge propre ou un linge doux et un détergent doux dans de l'eau tiède. Ne pas utiliser de nettoyants abrasifs ou forts. Sécher parfaitement avec un linge doux. Pour mieux protéger les surfaces métalliques extérieures peintes contre les dommages, appliquer une cire pour appareil électroménager (ou cire en pâte) avec un linge propre et doux. Ne pas cirer les pièces en plastique.

REMARQUE : Pour que vos tiroirs réfrigérés en acier inoxydable conservent leur aspect neuf et pour enlever les petites égratignures ou marques, il est suggéré d'utiliser le nettoyant et poli pour acier inoxydable approuvé par le fabricant. Pour commander le nettoyant, voir "Accessoires".

IMPORTANT : Ce nettoyant doit être utilisé sur les pièces en acier inoxydable uniquement!

Veiller à ce que le nettoyant et poli pour acier inoxydable n'entre pas en contact avec les pièces de plastique telles que garnitures ou joints de tiroir. En cas de contact accidentel, nettoyer la pièce de plastique avec une éponge et un détergent doux et de l'eau tiède. Sécher parfaitement avec un linge doux.

Pannes de courant

Si le service doit être interrompu pendant 24 heures ou moins, garder les deux tiroirs réfrigérés fermés pour aider les aliments à demeurer froids.

Si le service doit être interrompu pendant plus de 24 heures, faire l'une des choses suivantes :

- Placer tous les aliments périssables dans une glacière ou un casier frigorifique avec de la glace carbonique.
- À défaut de glacière ou de casier frigorifique disponible, consommer les aliments s'ils sont encore froids ou jeter les denrées périssables.

Entretien avant les vacances

Les tiroirs réfrigérés sont équipés de la caractéristique Holiday Mode (Mode vacances). En sélectionnant cette caractéristique, les points de réglage de température restent inchangés et les lampes intérieures s'éteignent. Pour un fonctionnement plus efficace des tiroirs réfrigérés, il est recommandé de sortir du mode vacances lorsque celui-ci n'est plus nécessaire.

Si vous choisissez de laisser les tiroirs réfrigérés en marche pendant votre absence :

1. Consommer tous les aliments périssables et congeler les autres articles.
2. Appuyer sur la touche HOLIDAY MODE (Mode vacances).
3. À votre retour de vacances, appuyer sur HOLIDAY MODE pour revenir au mode de fonctionnement normal.

Si vous choisissez d'arrêter le fonctionnement des tiroirs réfrigérés avant votre départ :

1. Enlever tous les aliments des tiroirs réfrigérés.
2. Régler le tableau de commande des tiroirs supérieur et inférieur à Off (arrêt). Voir "Utilisation des commandes".
3. Nettoyer les tiroirs réfrigérés, les essuyer et bien les sécher.
4. À l'aide d'un ruban adhésif, placer des blocs de caoutchouc ou de bois dans la partie supérieure de chacun des deux tiroirs de façon à ce qu'ils soient suffisamment ouverts pour permettre l'entrée de l'air à l'intérieur. Ceci permet d'éviter l'accumulation d'odeur ou de moisissure.

DÉPANNAGE

Essayer les solutions suggérées ici d'abord afin d'éviter le coût d'une visite de service non nécessaire.

Les tiroirs réfrigérés ne fonctionnent pas

AVERTISSEMENT



Risque de choc électrique

Brancher sur une prise à 3 alvéoles reliée à la terre.

Ne pas enlever la broche de liaison à la terre.

Ne pas utiliser un adaptateur.

Ne pas utiliser un câble de rallonge.

Le non-respect de ces instructions peut causer un décès, un incendie ou un choc électrique.

- **Le cordon d'alimentation est-il débranché?** Brancher l'appareil sur une prise à 3 alvéoles reliée à la terre.
- **Un fusible est-il grillé ou le disjoncteur s'est-il déclenché?** Remplacer le fusible ou réenclencher le disjoncteur. Si le problème persiste, appeler un électricien.
- **La commande des tiroirs réfrigérés est-elle réglée en position Off (arrêt)?** Voir "Utilisation des commandes".
- **Les commandes des tiroirs réfrigérés ne fonctionnent pas?** L'interrupteur d'alimentation On/Off (marche/arrêt) est situé derrière la grille de la base. Voir le Guide d'installation. Si cela ne résout pas le problème, faire un appel de service.
- **Les tiroirs réfrigérés ne refroidissent pas?** Éteindre l'appareil puis le rallumer pour le réinitialiser. Voir "Utilisation des commandes". Si cela ne résout pas le problème, faire un appel de service.

Les ampoules ne fonctionnent pas

- **Le cordon d'alimentation est-il débranché?** Brancher l'appareil sur une prise à 3 alvéoles reliée à la terre.
- **Les commandes des tiroirs réfrigérés ne fonctionnent pas?** L'interrupteur d'alimentation On/Off (marche/arrêt) est situé derrière la grille de la base. Voir le Guide d'installation. Si cela ne résout pas le problème, faire un appel de service.
- **Un tiroir a-t-il été ouvert plus de 10 minutes?** Lorsque le tiroir est maintenu ouvert plus de 10 minutes, les ampoules intérieures s'éteignent. Voir "Tiroir ouvert" dans "Utilisation des commandes".

Le moteur semble fonctionner excessivement

- **La température ambiante est-elle plus élevée que d'habitude?** Le moteur fonctionnera plus longtemps dans des conditions de chaleur. À des températures ambiantes normales, prévoir que le moteur fonctionne à peu près 80 % du temps. Dans des conditions de chaleur, il fonctionnera encore plus longtemps.
- **Vient-on d'ajouter une grande quantité d'aliments dans les tiroirs réfrigérés?** Ajouter une grande quantité d'aliments fait réchauffer les tiroirs réfrigérés. Le moteur fonctionnera normalement plus longtemps pour refroidir les tiroirs réfrigérés.
- **Les tiroirs sont-ils fréquemment ouverts?** Le moteur fonctionnera plus longtemps dans ce cas. Conserver l'énergie en sortant tous les articles en une seule fois, en rangeant les aliments de façon organisée et en fermant le tiroir le plus vite possible.
- **Les réglages sont-ils incorrects pour les conditions existantes?** Voir "Utilisation des commandes".
- **Les tiroirs sont-ils fermés complètement?** Fermer les tiroirs fermement. S'ils ne ferment pas complètement, voir "Les tiroirs ne ferment pas complètement" plus loin dans cette section.
- **Les joints du tiroir sont-ils hermétiques sur tout le contour?** Contacter un technicien ou une autre personne qualifiée.

Les tiroirs réfrigérés semblent faire trop de bruit

Les sons peuvent être normaux pour vos tiroirs réfrigérés. Voir "Sons normaux".

La cloison entre les deux compartiments est tiède

La température tiède est probablement attribuable à un fonctionnement normal du réglage automatique de l'humidité de l'extérieur. Si ceci vous inquiète, faire un appel de service.

La température est trop élevée

- **Les ouvertures d'aération sont-elles bloquées dans un compartiment ou l'autre?** Ceci empêche l'air froid de circuler entre les compartiments. Enlever tout objet placé devant les ouvertures d'aération. Voir "Pour assurer une circulation d'air correcte" pour savoir où se trouvent les ouvertures d'aération.
- **Les tiroirs sont-ils ouverts fréquemment?** Les tiroirs réfrigérés se réchaufferont dans ce cas. Garder les tiroirs réfrigérés froids en sortant tous les articles en une seule fois, en rangeant les aliments de façon organisée et en fermant les portes le plus vite possible.
- **Vient-on d'ajouter une grande quantité d'aliments dans les tiroirs réfrigérés?** Ajouter une grande quantité d'aliments fait réchauffer les tiroirs réfrigérés. Plusieurs heures peuvent être nécessaires pour que les tiroirs réfrigérés reviennent à la température normale.
- **Les réglages sont-ils corrects pour les conditions existantes?** Voir "Utilisation des commandes".
- **Les tiroirs réfrigérés ne refroidissent pas?** Éteindre l'appareil puis le rallumer pour le réinitialiser. Voir "Utilisation des commandes". Si cela ne résout pas le problème, faire un appel de service.

Il existe une accumulation d'humidité à l'intérieur

- **Les ouvertures d'aération sont-elles bloquées dans les tiroirs réfrigérés?** Enlever tout objet placé devant les ouvertures d'aération. Voir "Pour assurer une circulation d'air correcte" pour savoir où se trouvent les ouvertures d'aération.
- **Les tiroirs sont-ils ouverts fréquemment?** Éviter l'accumulation d'humidité en sortant tous les articles en une seule fois, en rangeant les aliments de façon organisée et en fermant le tiroir le plus vite possible.

- **La pièce est-elle humide?** Il est normal que de l'humidité s'accumule à l'intérieur des tiroirs réfrigérés lorsque l'air dans la pièce est humide.
- **Les aliments sont-ils bien emballés?** Vérifier que tous les aliments sont bien emballés. Sécher les récipients alimentaires humides avant de les placer dans les tiroirs réfrigérés.
- **Les réglages sont-ils corrects pour les conditions existantes?** Voir "Utilisation des commandes".

Les tiroirs ne ferment pas complètement

- **Les aliments emballés empêchent-ils le tiroir de fermer?** Réorganiser les contenants de sorte qu'ils soient plus rapprochés et prennent moins d'espace.

Les tiroirs sont difficiles à ouvrir

AVERTISSEMENT



Risque d'explosion

Utiliser un produit de nettoyage ininflammable.

Le non-respect de cette instruction peut causer un décès, une explosion ou un incendie.

- **Les joints sont-ils sales ou collants?** Nettoyer les joints et la surface avec laquelle ils sont en contact. Appliquer une fine couche de paraffine sur les joints après le nettoyage.

ASSISTANCE OU SERVICE

Avant de faire un appel pour assistance ou service, veuillez vérifier la section "Dépannage". Cette vérification peut vous faire économiser le coût d'une visite de service. Si vous avez encore besoin d'aide, suivez les instructions ci-dessous.

Lors d'un appel, veuillez connaître la date d'achat et les numéros de modèle et de série complets de votre appareil. Ces renseignements nous aideront à mieux répondre à votre demande.

Aux États-Unis

Si le problème n'est pas attribuable à l'une des raisons indiquées dans la section "Dépannage"...

Téléphonez au marchand qui vous a vendu l'appareil ou téléphonez à Maytag Services, LLC, Service à la clientèle Jenn-Air en composant le **1-800-JENNAIR (1-800-536-6247)** pour localiser une compagnie de service autorisée. Lors d'un appel, veuillez connaître la date d'achat et les numéros de modèle et de série complets de votre appareil. Assurez-vous de conserver la preuve d'achat pour vérifier les conditions de la garantie.

Si le marchand ou la compagnie de service ne peut pas résoudre votre problème, écrivez à :

Maytag Services, LLC

Attn.: CAIR® Center

P.O. Box 2370

Cleveland, TN 37320-2370

Adresse Internet : www.jennair.com

ou composez le : **1-800-JENNAIR (1-800-536-6247)**.

Les clients aux É.-U. utilisant l'ATS pour les personnes sourdes, malentendantes ou souffrant de troubles de l'élocution, composez le : **1-800-688-2080** (du lundi au vendredi, entre 8 h et 20 h HNE).

REMARQUE : Pour toute correspondance ou appel au sujet d'un problème de service, veuillez inclure les renseignements suivants :

1. Vos nom, adresse et numéro de téléphone durant la journée.
2. Numéros de modèle et de série de l'appareil.
3. Nom et adresse de votre marchand ou du service d'entretien.
4. Une description claire du problème existant.
5. Preuve d'achat (reçu de vente).

Les guides de l'utilisateur, manuels d'entretien et informations sur les pièces sont disponibles auprès du service d'Assistance à la clientèle de Maytag Services, LLC.

Au Canada

Si le problème n'est pas attribuable à l'une des raisons indiquées dans la section "Dépannage"...

Téléphonez au marchand qui vous a vendu l'appareil ou téléphonez au Centre d'interaction avec la clientèle de Whirlpool Canada LP, en composant le **1-800-807-6777** pour localiser une compagnie de service autorisée. Lors d'un appel, veuillez connaître la date d'achat et les numéros de modèle et de série complets de votre appareil. Assurez-vous de conserver la preuve d'achat pour vérifier les conditions de la garantie.

Si le marchand ou la compagnie de service ne peut pas résoudre votre problème, écrivez à :

Whirlpool Canada LP

Customer Interaction Centre

1901 Minnesota Court

Mississauga, ON L5N 3A7

Adresse Internet : www.jennair.ca

ou composez le **1-800-807-6777**.

REMARQUE : Pour toute correspondance ou appel au sujet d'un problème de service, veuillez inclure les renseignements suivants :

1. Vos nom, adresse et numéro de téléphone durant la journée.
2. Numéros de modèle et de série de l'appareil.
3. Nom et adresse de votre marchand ou du service d'entretien.
4. Une description claire du problème existant.
5. Preuve d'achat (reçu de vente).

Les guides de l'utilisateur, manuels d'entretien et informations sur les pièces sont disponibles auprès du Centre d'interaction avec la clientèle de Whirlpool Canada LP.

GARANTIE DES RÉFRIGÉRATEURS JENN-AIR®

GARANTIE LIMITÉE DE UN AN

Pendant un an à compter de la date d'achat, lorsque ce gros appareil ménager est utilisé et entretenu conformément aux instructions jointes à ou fournies avec le produit, Jenn-Air, marque de Maytag Corporation ou Maytag Limited (ci-après désignée "Jenn-Air") paiera pour les pièces de rechange spécifiées par l'usine et la main-d'œuvre pour corriger les vices de matériaux ou de fabrication. Le service doit être fourni par une compagnie de service désignée par Jenn-Air. Cette garantie limitée s'applique exclusivement lorsque l'appareil est utilisé dans le pays où il a été acheté.

Sur les modèles avec un filtre à eau : garantie limitée de 30 jours sur le filtre à eau. Pendant 30 jours à compter de la date d'achat, lorsque ce filtre est utilisé et entretenu conformément aux instructions jointes à ou fournies avec le produit, Jenn-Air paiera pour les pièces de rechange pour corriger les vices de matériaux ou de fabrication.

GARANTIE LIMITÉE DE LA DEUXIÈME À LA CINQUIÈME ANNÉE INCLUSIVEMENT SUR LA DOUBLURE DE LA CAVITÉ ET LES PIÈCES DU SYSTÈME DE RÉFRIGÉRATION SCÉLLÉ

De la deuxième à la cinquième année inclusivement à compter de la date d'achat, lorsque ce gros appareil ménager est utilisé et entretenu conformément aux instructions jointes à ou fournies avec le produit, Jenn-Air paiera pour le remplacement ou la réparation de la doublure de la cavité du réfrigérateur/congélateur (frais de main d'œuvre inclus) si la pièce se fissure à cause de vices de matériaux ou de fabrication. De même, de la deuxième à la cinquième année inclusivement à partir de la date d'achat, Jenn-Air paiera pour les pièces spécifiées par l'usine et la main-d'œuvre pour corriger les vices de matériaux ou de fabrication dans le système de réfrigération scellé. Il s'agit des pièces suivantes : compresseur, évaporateur, condenseur, séchoir et conduits de connexion. Le service doit être fourni par une compagnie de service désignée par Jenn-Air.

JENN-AIR NE PRENDRA PAS EN CHARGE

1. Les visites de service pour rectifier l'installation du gros appareil ménager, montrer à l'utilisateur comment utiliser l'appareil, remplacer ou réparer des fusibles ou rectifier le câblage ou la plomberie du domicile.
2. Les visites de service pour réparer ou remplacer les ampoules électriques de l'appareil, les filtres à air ou les filtres à eau. Ces pièces consommables ne sont pas couvertes par la garantie.
3. Les réparations lorsque le gros appareil ménager est utilisé à des fins autres que l'usage unifamilial normal.
4. Les dommages imputables à : accident, modification, usage impropre ou abusif, incendie, inondation, actes de Dieu, installation fautive ou installation non conforme aux codes d'électricité ou de plomberie, ou l'utilisation de produits non approuvés par Jenn-Air.
5. Toute perte d'aliments due à une défaillance du réfrigérateur ou du congélateur.
6. Le coût des pièces de rechange et de la main-d'œuvre pour les appareils utilisés hors des États-Unis ou du Canada.
7. Le ramassage et la livraison. Ce gros appareil ménager est conçu pour être réparé à domicile.
8. Les réparations aux pièces ou systèmes résultant d'une modification non autorisée faite à l'appareil.
9. Les frais de voyage et de transport pour le service d'un produit dans les régions éloignées.
10. La dépose et la réinstallation de votre appareil si celui-ci est installé dans un endroit inaccessible ou n'est pas installé conformément aux instructions d'installation fournies.
11. Le coût des pièces de rechange et de la main-d'œuvre lorsque l'appareil est utilisé dans un pays autre que le pays où il a été acheté.

CLAUSE D'EXONÉRATION DE RESPONSABILITÉ AU TITRE DES GARANTIES IMPLICITES; LIMITATION DES RECOURS

LE SEUL ET EXCLUSIF RECOURS DU CLIENT DANS LE CADRE DE LA PRÉSENTE GARANTIE LIMITÉE CONSISTE EN LA RÉPARATION PRÉVUE CI-DESSUS. LES GARANTIES IMPLICITES, Y COMPRIS LES GARANTIES APPLICABLES DE QUALITÉ MARCHANDE ET D'APTITUDE À UN USAGE PARTICULIER, SONT LIMITÉES À UN AN OU À LA PLUS COURTE PÉRIODE AUTORISÉE PAR LA LOI. JENN-AIR N'ASSUME AUCUNE RESPONSABILITÉ POUR LES DOMMAGES FORTUITS OU INDIRECTS. CERTAINES JURIDICTIONS NE PERMETTENT PAS L'EXCLUSION OU LA LIMITATION DES DOMMAGES FORTUITS OU INDIRECTS, OU LES LIMITATIONS DE LA DURÉE DES GARANTIES IMPLICITES DE QUALITÉ MARCHANDE OU D'APTITUDE À UN USAGE PARTICULIER, DE SORTE QUE CES EXCLUSIONS OU LIMITATIONS PEUVENT NE PAS S'APPLIQUER DANS VOTRE CAS. CETTE GARANTIE VOUS CONFÈRE DES DROITS JURIDIQUES SPÉCIFIQUES ET VOUS POUVEZ ÉGALEMENT JOUIR D'AUTRES DROITS QUI PEUVENT VARIER D'UNE JURIDICTION À UNE AUTRE.

À l'extérieur du Canada et des 50 États des États-Unis, cette garantie ne s'applique pas. Contacter votre marchand Jenn-Air autorisé pour déterminer si une autre garantie s'applique.

Si vous avez besoin de service, voir d'abord la section "Dépannage" du Guide d'utilisation et d'entretien. Après avoir vérifié la section "Dépannage", de l'aide supplémentaire peut être trouvée en vérifiant la section "Assistance ou service" ou en appelant Jenn-Air. Aux É.-U., composer le **1-800-JENNAIR (1-800-536-6247)**. Au Canada, composer le **1-800-807-6777**.

2/07

Conservez ce manuel et votre reçu de vente ensemble pour référence ultérieure. Pour le service sous garantie, vous devez présenter un document prouvant la date d'achat ou d'installation.

Inscrivez les renseignements suivants au sujet de votre gros appareil ménager pour mieux vous aider à obtenir assistance ou service en cas de besoin. Vous devrez connaître le numéro de modèle et le numéro de série au complet. Vous trouverez ces renseignements sur la plaque signalétique située sur le produit.

Nom du marchand _____

Adresse _____

Numéro de téléphone _____

Numéro de modèle _____

Numéro de série _____

Date d'achat _____

W10122766A

© 2007.
All rights reserved.
Todos los derechos reservados.
Tous droits réservés.

®Registered Trademark/™ Trademark of Maytag Corporation or its related companies.
®Marca registrada/™Marca de comercio son propiedad Maytag Corporation o sus compañías relacionadas.
®Marque déposée/™Marque de commerce de Maytag Corporation ou de ses compagnies affiliées.

4/07
Printed in U.S.A.
Impreso en EE.UU.
Imprimé aux É.-U.