

# JENN-AIR® WINE CELLAR/BODEGA/CAVE À VIN

## USE & CARE GUIDE

For questions about features, operation/performance, parts, accessories, or service, call:  
**1-800-JENNAIR (1-800-536-6247)** or visit our website at **www.jennair.com**.

In Canada, call: **1-800-JENNAIR (1-800-536-6247)**, or visit our website at **www.jennair.ca**.

---

## MANUAL DE USO Y CUIDADO

Si tiene preguntas respecto a las características, funcionamiento, rendimiento, partes, accesorios o servicio técnico, llame al:  
**1-800-JENNAIR (1-800-536-6247)** o visite nuestro sitio de internet **www.jennair.com**.

En Canadá, llame al: **1-800-JENNAIR (1-800-536-6247)**, o visite nuestro sitio de internet **www.jennair.ca**.

---

## GUIDE D'UTILISATION ET D'ENTRETIEN

Au Canada, pour assistance, installation ou service, composez le **1-800-JENNAIR (1-800-536-6247)**  
ou visitez notre site web à **www.jennair.ca**.

---

Table of Contents/Índice/Table des matières .....2

---

**JENN-AIR®**

**W10741580A/8336460123900**

---

# TABLE OF CONTENTS

<b>WINE CELLAR SAFETY</b> .....	<b>3</b>	<b>WINE CELLAR CARE</b> .....	<b>9</b>
<b>INSTALLATION REQUIREMENTS</b> .....	<b>4</b>	Base Grille .....	9
Location Requirements .....	4	Cleaning.....	9
Product Dimensions.....	4	Vacation and Moving Care.....	10
Electrical Requirements .....	5	<b>TROUBLESHOOTING</b> .....	<b>10</b>
<b>INSTALLATION INSTRUCTIONS</b> .....	<b>6</b>	<b>ASSISTANCE OR SERVICE</b> .....	<b>11</b>
Unpack the Wine Cellar .....	6	In the U.S.A. ....	11
Door Closing.....	6	In Canada .....	11
<b>WINE CELLAR USE</b> .....	<b>7</b>	<b>WARRANTY</b> .....	<b>12</b>
Normal Sounds .....	7		
Using the Controls .....	7		
Wine Racks .....	8		
Stocking the Wine Cellar.....	9		

---

# ÍNDICE

<b>SEGURIDAD DE LA BODEGA</b> .....	<b>13</b>	<b>CUIDADO DE LA BODEGA</b> .....	<b>20</b>
<b>REQUISITOS DE INSTALACIÓN</b> .....	<b>14</b>	Rejilla de la base.....	20
Requisitos de ubicación.....	14	Limpieza .....	20
Medidas del producto.....	15	Cuidado durante las vacaciones y mudanzas.....	20
Requisitos eléctricos .....	16	<b>SOLUCIÓN DE PROBLEMAS</b> .....	<b>21</b>
<b>INSTRUCCIONES DE INSTALACIÓN</b> .....	<b>16</b>	<b>AYUDA O SERVICIO TÉCNICO</b> .....	<b>22</b>
Desempaque de la bodega.....	16	En los EE.UU. ....	22
Cierre de la puerta.....	16	En Canadá .....	22
<b>USO DE LA BODEGA</b> .....	<b>17</b>	<b>GARANTÍA</b> .....	<b>23</b>
Sonidos normales .....	17		
Uso de los controles .....	17		
Portabotellas .....	19		
Cómo almacenar en la bodega.....	19		

---

# TABLE DES MATIÈRES

<b>SÉCURITÉ DE LA CAVE À VIN</b> .....	<b>25</b>	<b>ENTRETIEN DE LA CAVE À VIN</b> .....	<b>31</b>
<b>EXIGENCES D'INSTALLATION</b> .....	<b>26</b>	Grille de la base.....	31
Exigences d'emplacement.....	26	Nettoyage .....	31
Dimensions du produit.....	26	Précautions à prendre pour les vacances et avant un déménagement .....	32
Spécifications électriques .....	27	<b>DÉPANNAGE</b> .....	<b>33</b>
<b>INSTRUCTIONS D'INSTALLATION</b> .....	<b>27</b>	<b>ASSISTANCE OU SERVICE</b> .....	<b>34</b>
Déballage de la cave à vin .....	27	Aux États-Unis.....	34
Fermeture de la porte.....	28	Au Canada.....	34
<b>UTILISATION DE LA</b>		<b>GARANTIE</b> .....	<b>35</b>
<b>CAVE À VIN</b> .....	<b>28</b>		
Sons normaux .....	28		
Utilisation des commandes.....	29		
Casiers à vin .....	30		
Stockage dans la cave à vin .....	31		

# WINE CELLAR SAFETY

## Your safety and the safety of others are very important.

We have provided many important safety messages in this manual and on your appliance. Always read and obey all safety messages.



This is the safety alert symbol.

This symbol alerts you to potential hazards that can kill or hurt you and others.

All safety messages will follow the safety alert symbol and either the word "DANGER" or "WARNING."

These words mean:

**⚠ DANGER**

You can be killed or seriously injured if you don't immediately follow instructions.

**⚠ WARNING**

You can be killed or seriously injured if you don't follow instructions.

All safety messages will tell you what the potential hazard is, tell you how to reduce the chance of injury, and tell you what can happen if the instructions are not followed.

## IMPORTANT SAFETY INSTRUCTIONS

**WARNING:** To reduce the risk of fire, electric shock, or injury when using your wine cellar, follow these basic precautions:

- Plug into a grounded 3 prong outlet.
- Do not remove ground prong.
- Do not use an adapter.
- Do not use an extension cord.
- Disconnect power before servicing.
- Replace all parts and panels before operating.
- Remove doors from your old wine cellar.
- Use nonflammable cleaner.
- Keep flammable materials and vapors, such as gasoline, away from wine cellar.
- Use two or more people to move and install wine cellar.

**SAVE THESE INSTRUCTIONS**

State of California Proposition 65 Warnings:

WARNING: This product contains one or more chemicals known to the State of California to cause cancer.

WARNING: This product contains one or more chemicals known to the State of California to cause birth defects or other reproductive harm.

## Proper Disposal of Your Old Wine Cellar

**⚠ WARNING**

**Suffocation Hazard**

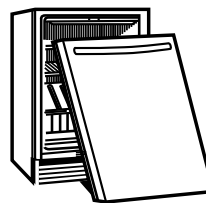
Remove door from your old wine cellar.

Failure to do so can result in death or brain damage.

**IMPORTANT:** Child entrapment and suffocation are not problems of the past. Junked or abandoned wine cellars are still dangerous – even if they will sit for "just a few days." If you are getting rid of your old wine cellar, please follow these instructions to help prevent accidents.

**Before You Throw Away Your Old Wine Cellar:**

- Take off the door.
- Leave the racks in place so that children may not easily climb inside.



### Important information to know about disposal of refrigerants:

Dispose of refrigerator in accordance with Federal and Local regulations. Refrigerants must be evacuated by a licensed, EPA certified refrigerant technician in accordance with established procedures.

# INSTALLATION REQUIREMENTS

## Location Requirements

### **⚠ WARNING**



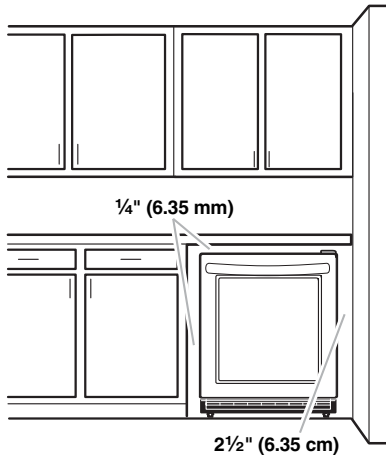
#### Explosion Hazard

Keep flammable materials and vapors, such as gasoline, away from wine cellar.

Failure to do so can result in death, explosion, or fire.

#### NOTES:

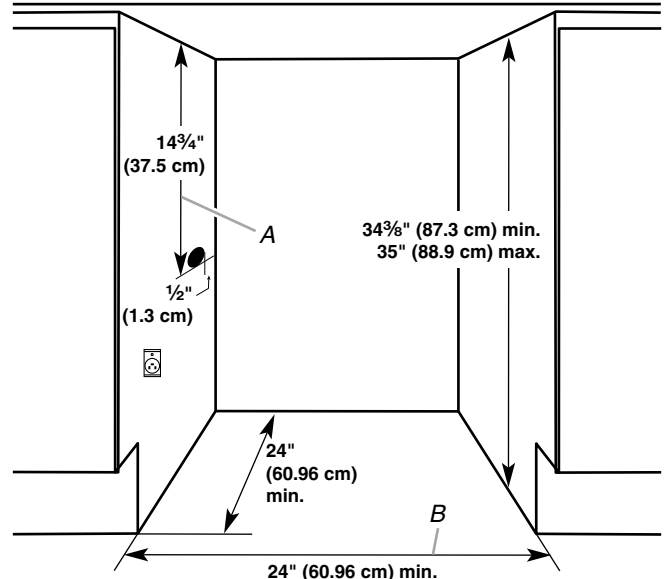
- For the wine cellar to be flush with the front of the base cabinets, remove any baseboards or moldings from the rear of the opening. See "Product Dimensions" and later in this section, "Opening Dimensions."
- It is recommended that you do not install the wine cellar near an oven, radiator, or other heat source.
- Do not install in a location where the temperature will fall below 55°F (13°C). For best performance, do not install the wine cellar behind a cabinet door or block the base grille.



## Opening Dimensions

- Height dimensions are shown with the leveling legs extended to the minimum height.  
**NOTE:** When leveling legs are fully extended, add 5/8" (15 mm) to the height dimensions. See "Product Dimensions."

- If the floor of the opening is not level with the kitchen floor, shim the opening to make it level with the kitchen floor.



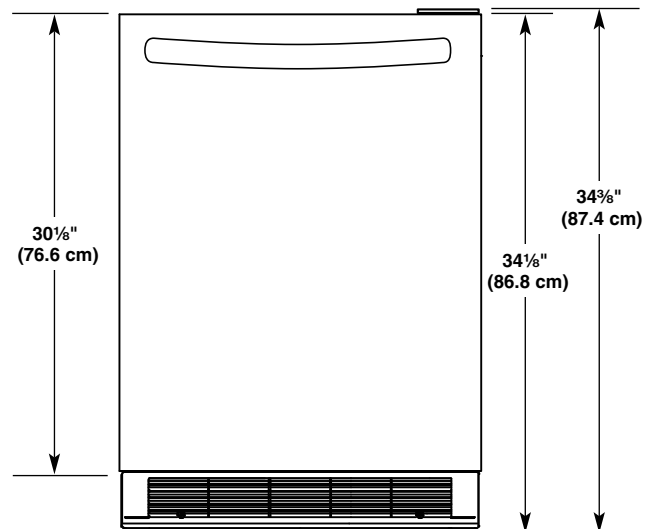
#### Critical Dimensions:

- A. 14 3/4" (37.5 cm) utility opening
- B. 24" (60.96 cm) minimum opening width

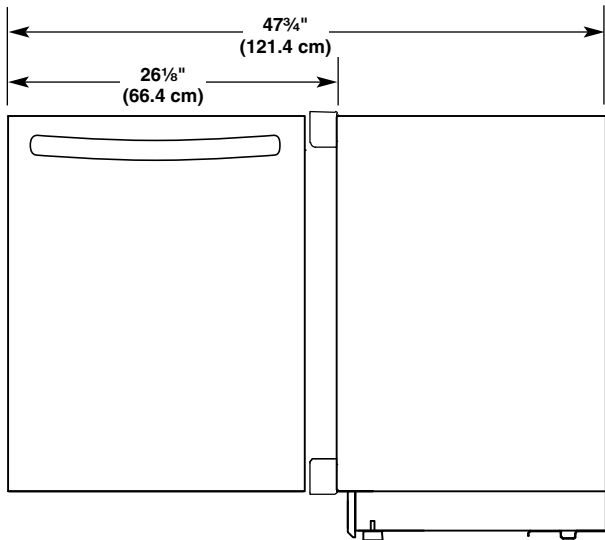
## Product Dimensions

- Height dimensions are shown with the leveling legs NOT extended.
- The power cord is 60" (152.4 cm) long.

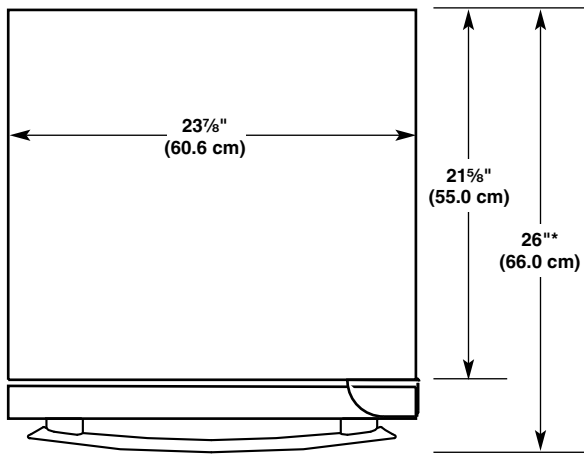
### Front View



## Side View (door open 90°)



## Top View



\*Dimension includes Euro-series style handle

## Electrical Requirements

### ⚠ WARNING



#### Electrical Shock Hazard

Plug into a grounded 3 prong outlet.

Do not remove ground prong.

Do not use an adapter.

Do not use an extension cord.

Failure to follow these instructions can result in death, fire, or electrical shock.

Before you move your wine cellar into its final location, it is important to make sure you have the proper electrical connection.

#### Recommended grounding method

A 115 volt, 60 Hz., AC only, 15- or 20-amp fused, grounded electrical supply is required. It is recommended that a separate circuit serving only your wine cellar be provided. Use an outlet that cannot be turned off by a switch. Do not use an extension cord.

**NOTE:** Before performing any type of installation, cleaning, or removing a light bulb, unplug wine cellar or disconnect power.

# INSTALLATION INSTRUCTIONS

## Unpack the Wine Cellar

### **⚠ WARNING**

#### **Excessive Weight Hazard**

**Use two or more people to move and install wine cellar.  
Failure to do so can result in back or other injury.**

### Remove the Packaging

- Remove tape and glue residue from surfaces before turning on the wine cellar. Rub a small amount of liquid dish soap over the adhesive with your fingers. Wipe with warm water and dry.
- Do not use sharp instruments, rubbing alcohol, flammable fluids, or abrasive cleaners to remove tape or glue. These products can damage the surface of your wine cellar. For more information, see "Wine Cellar Safety."
- Dispose of/recycle all packaging materials.

### When Moving Your Wine Cellar:

Your wine cellar is heavy. When moving the wine cellar for cleaning or service, be sure to cover the floor with cardboard or hardboard to avoid floor damage. Always pull the wine cellar straight out when moving it. Do not wiggle or "walk" the wine cellar when trying to move it, as floor damage could occur.

### Clean Before Using

After you remove all of the packaging materials, clean the inside of your wine cellar before using it. See the cleaning instructions in "Wine Cellar Care."

## Door Closing

### Door Closing

Your wine cellar has four leveling legs. If your wine cellar seems unsteady or you want the door to close more easily, adjust the wine cellar's tilt using the instructions below.

### **⚠ WARNING**



#### **Electrical Shock Hazard**

**Plug into a grounded 3 prong outlet.**

**Do not remove ground prong.**

**Do not use an adapter.**

**Do not use an extension cord.**

**Failure to follow these instructions can result in death, fire, or electrical shock.**

1. Plug into a grounded 3 prong outlet.

### **⚠ WARNING**

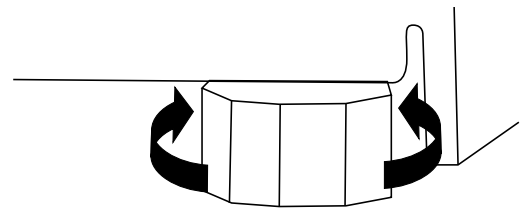
#### **Excessive Weight Hazard**

**Use two or more people to move and install wine cellar.**

**Failure to do so can result in back or other injury.**

2. Move the wine cellar into its final location.
3. Turn the leveling legs to the right to lower the wine cellar, or turn the leveling legs to the left to raise it. It may take several turns of the leveling legs to adjust the tilt of the wine cellar.

**NOTE:** Having someone push against the top of the wine cellar takes some weight off the leveling legs. This makes it easier to adjust the leveling legs.



4. Open the door and check that it closes as easily as you like. If not, tilt the wine cellar slightly more to the rear by turning both front leveling screws to the right. It may take several more turns, and you should turn both leveling legs the same amount.

# WINE CELLAR USE

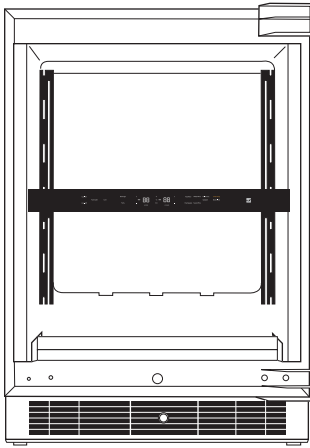
## Normal Sounds

Your new wine cellar may make sounds that your old one didn't make. Because the sounds are new to you, you might be concerned about them. Most of the new sounds are normal. Hard surfaces, such as the flooring and surrounding structures, can make the sounds seem louder. The following describes the kinds of sounds and what may be making them.

- Your wine cellar is designed to run more efficiently to keep your wine at the desired temperatures and to minimize energy usage. The high efficiency compressor and fans may cause your wine cellar to run longer than your old one. You may also hear a pulsating or high-pitched sound from the compressor or fans adjusting to optimize performance.
- Rattling noises may come from the flow of refrigerant or items stored inside the wine cellar.
- As each cycle ends, you may hear a gurgling sound due to the refrigerant flowing in your wine cellar.
- You may hear water running into the drain pan when the wine cellar is defrosting.
- You may hear clicking sounds when the wine cellar starts or stops running.

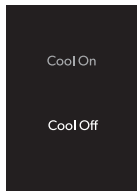
## Using the Controls

The control panel is located at the top of the compartment and facing front. The control of the wine cellar has no mechanical parts or buttons. When disconnected, the control panel displays nothing and may be difficult to locate.



## Turning Control On/Off

- The first time that the wine cellar is plugged in, the control will be in Cool Off mode. Cool On and Cool Off will be the only options that display.



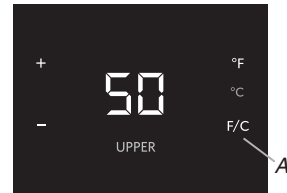
- Press COOL ON for 3 seconds to turn on the wine cellar. All menus and recommended temperature settings will be displayed.



- The left temperature and preset touch pads control the temperature of the upper compartment.
- The right temperature and preset touch pads control the temperature of the lower compartment.

## Viewing Celsius Temperatures

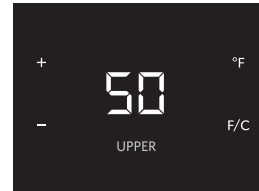
- Press the F/C touch pad to toggle between displaying the temperature in degrees Fahrenheit and degrees Celsius. The corresponding indicator will illuminate.



A. F/C touch pad

## Adjusting the Control

When the wine cellar is turned On for the first time, the temperature defaults to the recommended setting. There are two adjustable temperature controls, one for each compartment.



- To adjust set point temperatures, press "+" (plus) or "-" (minus) until the desired temperature setting is reached.

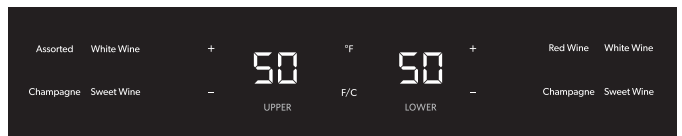
**NOTE:** The set point for the wine cellar is 50°F (10°C) for both the upper and lower compartments. The set point range for the upper compartment is 42°F to 54°F (5°C to 12°C) and 42°F to 64°F (5°C to 17°C) for the lower compartment

The control is set correctly when the wine is as cold as you like it.

**NOTE:** Wait at least 24 hours between adjustments for the product to acclimate. Recheck the temperatures before making further adjustments.

## Using Presets

For your convenience, your wine cellar also has controls that are preset to recommended storage temperature for specific wines.



Pressing any preset option will set the temperature to the recommended temperature for the specified wine:

- Assorted: 54°F (12°C)
- Champagne: 46° (7°C)
- Red Wine: 64°F (17°C)
- Sweet Wine: 42°F (5°C)
- White Wine: 50°F (10°C)

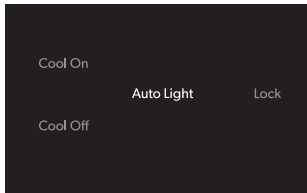
---

## Auto Light

---

The wine cellar has a sensor that will turn on the interior display light automatically when someone walks by. When motion is no longer detected, the interior display light will turn off after 2 minutes.

- Press the Auto Light option to activate this feature.



- When the Auto Light is not activated, the interior display light will only turn on when the door is opened.

### NOTES:

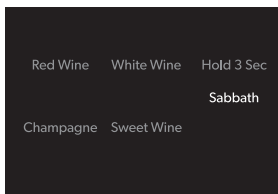
- Leaving the light on for an extended period of time will slightly increase the temperature of the wine cellar.
- The light is an LED, which does not need to be replaced. However, if the LED does not illuminate when the door is opened, call Service to check the problem and replace, if necessary. See "Assistance or Service" for contact information.

---

## Sabbath Mode

---

Sabbath Mode is designed for the traveler or for those whose religious observances require turning off the lights. By selecting this feature, the temperature set points remain unchanged, but the control panel lights, interior lights, and control audio turn off. For most efficient wine cellar operation, it is recommended to exit the Sabbath Mode when it is no longer required.



- Press and hold SABBATH for 3 seconds to turn on the feature. After the 3-second countdown, the feature will activate and all other displays will turn Off.
- Press and hold SABBATH for 3 seconds to turn off the feature and turn on the display.

---

## Door Open

---

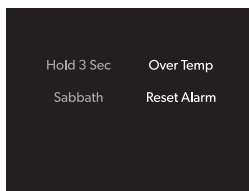
If the door is open longer than 5 minutes, an alarm will sound every 2 minutes until the door is closed or any control is pressed.

---

## Over Temp Alarm

---

The Over Temperature feature is designed to let you know when the wine cellar temperature rises above 70°F (21°C) for 4 hours or longer. The audio alarm will shut off automatically when the temperature returns to normal. To let you know an Over Temperature condition occurred, the indicator light will continue to flash until the Reset Alarm touch pad is pressed.



If the over temperature condition is still present when an Over Temp reset is performed, the indicator light will continue to reactivate every 4 hours until the wine cellar temperature is below 70°F (21°C).

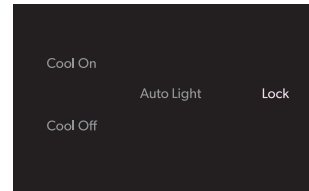
**NOTE:** These features will not appear on your control unless your wine cellar is above 70°F (21°C) and the alarm requires a reset.

---

## Lock Mode

---

The Lock Mode deactivates all other options and avoids any changes being made to your desired temperature settings.



- To activate Lock Mode, press and hold LOCK for 3 seconds. After the countdown, all other displays will turn off and become unavailable except Cool On, Cool Off and Lock.

---

## Showroom Mode

---

This mode is used only when the wine cellar is on display in a retail store. If you unintentionally turn on Showroom Mode, Cool Off will light up on the display, and the controls will appear to work. Exit Showroom Mode by pressing and holding COOL ON and SABBATH at the same time for 3 seconds.

---

## Wine Racks

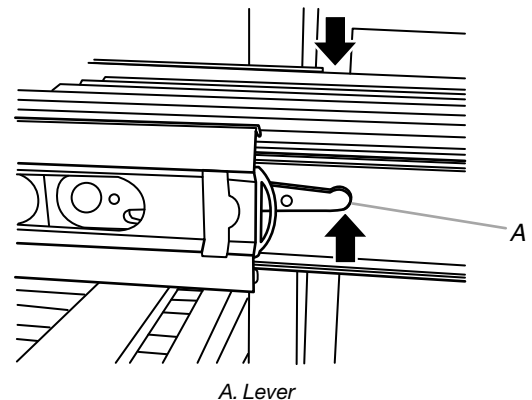
---

---

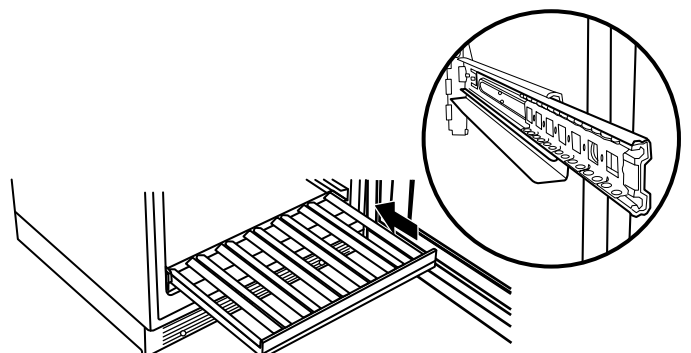
### Remove and Replace the Racks

---

1. Pull the rack forward until it stops.
2. Lift up on the left-hand lever while pressing down on the right-hand lever to release the rack. Pull the rack forward and lift it up and out of the rack supports.



3. Replace the rack by inserting the rack into the supports and sliding it toward the rear of the wine cellar.



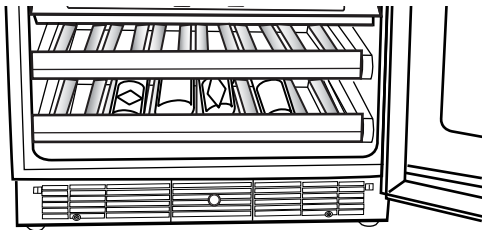


## Stocking the Wine Cellar

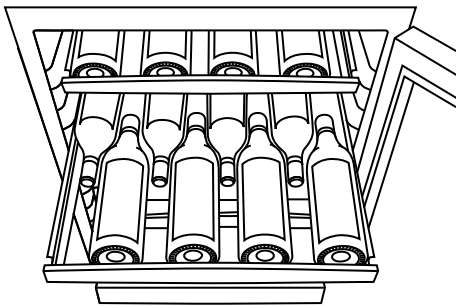
**NOTE:** For optimum wine storage, place white wines at the top of the wine cellar, light red wines in the center and red wines at the bottom.

### To Stock the Wine Cellar

1. Start stocking the wine cellar with the bottom display rack.
2. Starting on the left-hand side, place the first bottle on the bottom of the rack with the neck of the bottle facing the front of the wine cellar.
3. Place the next bottle on its side with the neck of the bottle facing the back of the wine cellar. Alternate the direction of the bottles, in this manner, until the display rack is full.



4. Slide the bottom rack into place and pull the next rack forward.
5. Continue stocking each remaining rack as described in the above steps.



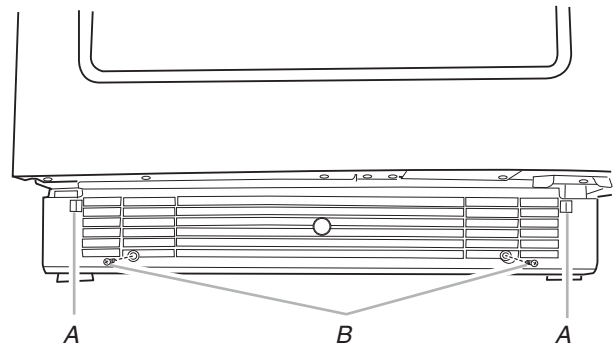
## WINE CELLAR CARE

### Base Grille

You must remove the base grille to access the condenser coils for cleaning.

#### To Remove the Base Grille:

1. Open the wine cellar door.
2. Using a Phillips screwdriver, remove the two screws. Push both tabs in toward the center to release the base grille from the wine cellar.



A. Tabs  
B. Screws

3. Remove the base grille.

#### To Replace the Base Grille:

1. Open the wine cellar door.
2. Position the base grille so that both tabs align and the base grille snaps into place. Replace the two screws. Tighten the screws.

### Cleaning

## ⚠ WARNING



### Explosion Hazard

**Use nonflammable cleaner.**

**Failure to do so can result in death, explosion, or fire.**

Clean the wine cellar about once a month to avoid buildup of odors. Wipe up spills immediately.

#### To Clean Your Wine Cellar:

1. Unplug wine cellar or disconnect power.
2. Remove all racks from inside the wine cellar.
3. Hand wash, rinse, and dry removable parts and interior surfaces thoroughly. Use a clean sponge or soft cloth and a mild detergent in warm water.
  - To avoid damaging wooden tines and trim pieces, wipe them off with a clean sponge or soft cloth and warm water. Do not use detergent or immerse the entire rack into water when cleaning.

- Do not use abrasive or harsh cleaners such as window sprays, scouring cleansers, flammable fluids, cleaning waxes, concentrated detergents, bleaches or cleansers containing petroleum products on plastic parts, interior and door liners or gaskets. Do not use paper towels, scouring pads, or other harsh cleaning tools. These can scratch or damage materials.
  - To help remove odors, you can wash interior walls with a mixture of warm water and baking soda (2 tbs to 1 qt [26 g to 0.95 L] of water).
4. Wash stainless steel and painted metal exteriors with a clean sponge or soft cloth and a mild detergent in warm water. Do not use abrasive or harsh cleaners, or cleaners containing chlorine. These can scratch or damage materials. Dry thoroughly with a soft cloth.
- NOTE:** To keep your stainless steel wine cellar looking like new and to remove minor scuffs or marks, it is suggested that you use the manufacturer's approved Stainless Steel Cleaner and Polish. To order the cleaner, see "Accessories."
- IMPORTANT:** This cleaner is for stainless steel parts only! Do not allow the Stainless Steel Cleaner and Polish to come into contact with any plastic parts such as the trim pieces, dispenser covers or door gaskets. If unintentional contact does occur, clean plastic part with a sponge and mild detergent in warm water. Dry thoroughly with a soft cloth.
- 5. Replace the racks.
  - 6. Clean the condenser coils regularly. They are located behind the base grille. Coils may need to be cleaned as often as every other month. This may help save energy.
    - Remove the base grille. See "Base Grille."

- Use a vacuum cleaner with an extended attachment to clean the condenser coils when they are dusty or dirty.
  - Replace the base grille.
7. Plug in wine cellar or reconnect power.

## Vacation and Moving Care

### Vacations

If you choose to turn the wine cellar off before you leave, follow these steps.

1. Remove all wine bottles from the wine cellar.
2. Unplug the wine cellar.
3. Clean the wine cellar. See "Cleaning."
4. Tape a rubber or wood block to the top of the door to prop it open far enough for air to get in. This stops odor and mold from building up.

### Moving

When you are moving your wine cellar to a new home, follow these steps to prepare it for the move.

1. Remove all wine bottles from the wine cellar.
2. Unplug the wine cellar.
3. Clean, wipe, and dry it thoroughly.
4. Take out all removable parts, wrap them well, and tape them together so they don't shift and rattle during the move.
5. Tape the doors shut and tape the power cord to the wine cellar.

When you get to your new home, put everything back and refer to the "Installation Instructions" section for preparation instructions.

## TROUBLESHOOTING

Try the solutions suggested here first in order to avoid the cost of an unnecessary service call.

### Your wine cellar will not operate

#### ⚠ WARNING



#### Electrical Shock Hazard

Plug into a grounded 3 prong outlet.

Do not remove ground prong.

Do not use an adapter.

Do not use an extension cord.

Failure to follow these instructions can result in death, fire, or electrical shock.

- **Is the power supply cord unplugged?** Plug into a grounded 3 prong outlet.
- **Has a household fuse blown, or has a circuit breaker tripped?** Replace the fuse or reset the circuit.
- **Is the Wine Cellar control in Cool Off Mode?** See "Using the Controls."

### The motor seems to run too much

- **Is the temperature outside hotter than normal?** Expect the motor to run longer under warm conditions. At normal temperatures, expect your motor to run about 40% to 80% of the time. Under warmer conditions, expect it to run even more of the time.
- **Is the door opened often?** Expect the motor to run longer when this occurs. In order to conserve energy, try to get everything you need out of the wine cellar at once. Keep wine bottles positioned label side up so that they are easy to find, and close the door as soon as the wine is removed.
- **Is the control set correctly for the surrounding conditions?** See "Using the Controls."
- **Is the door closed completely?** Push the door firmly shut. If it will not shut all the way, see "The door will not close completely" later in this section.
- **Are the condenser coils dirty?** This obstructs air transfer and makes the motor work harder. Clean the condenser coils. See "Cleaning."

### Temperature is too warm

- **Is the door opened often?** Be aware that the wine cellar will warm when this occurs. In order to keep the wine cellar cool, try to get everything you need out of the wine cellar at once. Keep wine bottles positioned label side up so that they are easy to find, and close the door as soon as the wine is removed.
- **Is the control set correctly for the surrounding conditions?** See "Using the Controls."

- **Is the base grille blocked?** For best performance, do not install the wine cellar behind a cabinet door or block the base grille.

---

### There is interior moisture buildup

---

- **Is the door opened often?** To avoid humidity buildup, try to get everything you need out of the wine cellar at once, keep wine bottles positioned label side up so that they are easy to find, and close the door as soon as the wine is removed. When the door is opened, humidity from the room air enters the wine cellar. The more often the door is opened, the faster humidity builds up, especially when the room itself is very humid.
- **Is it humid?** It is normal for moisture to build up inside the wine cellar when the air is humid.
- **Is the control set correctly for the surrounding conditions?** See “Using the Controls.”

---

### The door is difficult to open

---

## WARNING



### Explosion Hazard

Use nonflammable cleaner.

Failure to do so can result in death, explosion, or fire.

- **Is the gasket dirty or sticky?** Clean the gasket and the surface that it touches. Rub a thin coat of paraffin wax on the gasket following cleaning.

---

### The door will not close completely

---

- **Are the racks out of position?** Put the racks back into their correct positions. See “Wine Cellar Use” for more information.

## WARNING



### Explosion Hazard

Use nonflammable cleaner.

Failure to do so can result in death, explosion, or fire.

- **Is the gasket sticking?** Clean the gasket and the surface that it touches. Rub a thin coat of paraffin wax on the gasket following cleaning.

---

## ASSISTANCE OR SERVICE

Before calling for assistance or service, please check “Troubleshooting.” It may save you the cost of a service call. If you still need help, follow the instructions below.

When calling, please know the purchase date and the complete model and serial number of your appliance. This information will help us to better respond to your request.

### If you need replacement parts

If you need to order replacement parts, we recommend that you only use factory specified replacement parts. Factory specified replacement parts will fit right and work right because they are made with the same precision used to build every new Jenn-Air® appliance.

To locate factory specified replacement parts in your area, call us or your nearest designated service center.

---

### In the U.S.A.

Call the Jenn-Air Customer eXperience Center toll free:  
**1-800-JENNAIR (1-800-536-6247).**

#### Our Consultants Provide Assistance With:

- Features and specifications on our full line of appliances.
- Installation information.
- Use and maintenance procedures.
- Accessory and repair parts sales.
- Specialized customer assistance (Spanish speaking, hearing impaired, limited vision, etc.).
- Referrals to local dealers, repair parts distributors, and service companies. Jenn-Air designated service technicians are trained to fulfill the product warranty and provide after-warranty service, anywhere in the United States.

To locate the Jenn-Air designated service company in your area, you can also look in your telephone directory Yellow Pages.

#### For Further Assistance

If you need further assistance, you can write to Jenn-Air with any questions or concerns at:

Jenn-Air Brand Home Appliances  
Customer eXperience Center  
553 Benson Road  
Benton Harbor, MI 49022-2692

Please include a daytime phone number in your correspondence.

---

### In Canada

Call the Jenn-Air Canada Customer eXperience Centre toll free:  
**1-800-JENNAIR (1-800-536-6247).**

#### Our Consultants Provide Assistance With:

- Features and specifications on our full line of appliances.
- Use and maintenance procedures.
- Accessory and repair parts sales.
- Referrals to local dealers, repair parts distributors, and service companies. Jenn-Air Canada designated service technicians are trained to fulfill the product warranty and provide after-warranty service, anywhere in Canada.

#### For Further Assistance

If you need further assistance, you can write to Jenn-Air Canada with any questions or concerns at:

Jenn-Air Canada  
Customer eXperience Centre  
200 – 6750 Century Ave.  
Mississauga, Ontario L5N 0B7

Please include a daytime phone number in your correspondence.

# JENN-AIR® REFRIGERATION LIMITED WARRANTY

ATTACH YOUR RECEIPT HERE. PROOF OF PURCHASE IS REQUIRED TO OBTAIN WARRANTY SERVICE.

Please have the following information available when you call the Customer eXperience Center:

- Name, address and telephone number
- Model number and serial number
- A clear, detailed description of the problem
- Proof of purchase including dealer or retailer name and address

## IF YOU NEED SERVICE:

1. Before contacting us to arrange service, please determine whether your product requires repair. Some questions can be addressed without service. Please take a few minutes to review the Troubleshooting or Problem Solver section of the Use and Care Guide, scan the QR code on the right to access additional resources, or visit <https://jennair.custhelp.com>.
2. All warranty service is provided exclusively by our authorized Jenn-Air Service Providers. In the U.S. and Canada, direct all requests for warranty service to:

**Jenn-Air Customer eXperience Center**  
**1-800-JENNAIR (1-800-536-6247)**



<https://jennair.custhelp.com>

If outside the 50 United States or Canada, contact your authorized Jenn-Air dealer to determine whether another warranty applies.

## FIVE YEAR LIMITED WARRANTY

### WHAT IS COVERED

#### TWO YEAR LIMITED WARRANTY

For two years from the date of purchase, when this major appliance is installed, operated and maintained according to instructions attached to or furnished with the product, Jenn-Air brand of Whirlpool Corporation or Whirlpool Canada LP (hereafter "Jenn-Air") will pay for Factory Specified Replacement Parts and repair labor to correct defects in materials or workmanship that existed when this major appliance was purchased, or at its sole discretion replace the product. In the event of product replacement, your appliance will be warranted for the remaining term of the original unit's warranty period.

#### THIRD THROUGH FIFTH YEAR LIMITED WARRANTY ON CAVITY LINER AND SEALED REFRIGERATION SYSTEM

In the third through fifth years from the date of purchase, when this major appliance is installed, operated and maintained according to the instructions attached to or furnished with the product, Jenn-Air brand will pay for factory specified replacement parts and repair labor for the following components to correct non-cosmetic defects in materials and workmanship in this part that prevent function of the refrigerator and that existed when this major appliance was purchased:

- Refrigerator/freezer cavity liner if the part cracks due to defective materials or workmanship.
- Sealed Refrigeration system (includes compressor, evaporator, condenser, dryer and connecting tubing).

YOUR SOLE AND EXCLUSIVE REMEDY UNDER THIS LIMITED WARRANTY SHALL BE PRODUCT REPAIR AS PROVIDED HEREIN. Service must be provided by a Jenn-Air designated service company. This limited warranty is valid only in the United States or Canada and applies only when the major appliance is used in the country in which it was purchased. This limited warranty is effective from the date of original consumer purchase. Proof of original purchase date is required to obtain service under this limited warranty.

### WHAT IS NOT COVERED

1. Commercial, non-residential or multiple-family use, or use inconsistent with published user, operator or installation instructions.
2. In-home instruction on how to use your product.
3. Service to correct improper product maintenance or installation, installation not in accordance with electrical or plumbing codes or correction of household electrical or plumbing (i.e. house wiring, fuses or water inlet hoses).
4. Consumable parts (i.e. light bulbs, batteries, air or water filters, preservation solutions, etc.).
5. Defects or damage caused by the use of non-genuine Jenn-Air parts or accessories.
6. Damage from accident, misuse, abuse, fire, floods, acts of God or use with products not approved by Jenn-Air.
7. Repairs to parts or systems to correct product damage or defects caused by unauthorized service, alteration or modification of the appliance.
8. Cosmetic damage including scratches, dents, chips, and other damage to appliance finishes unless such damage results from defects in materials and workmanship and is reported to Jenn-Air within 30 days.
9. Discoloration, rust or oxidation of surfaces resulting from caustic or corrosive environments including but not limited to high salt concentrations, high moisture or humidity or exposure to chemicals.
10. Food or medicine loss due to product failure.
11. Pick-up or delivery. This product is intended for in-home repair.
12. Travel or transportation expenses for service in remote locations where an authorized Jenn-Air servicer is not available.
13. Removal or reinstallation of inaccessible appliances or built-in fixtures (i.e. trim, decorative panels, flooring, cabinetry, islands, countertops, drywall, etc.) that interfere with servicing, removal or replacement of the product.
14. Service or parts for appliances with original model/serial numbers removed, altered or not easily determined.

**The cost of repair or replacement under these excluded circumstances shall be borne by the customer.**

### DISCLAIMER OF IMPLIED WARRANTIES

IMPLIED WARRANTIES, INCLUDING ANY IMPLIED WARRANTY OF MERCHANTABILITY OR IMPLIED WARRANTY OF FITNESS FOR A PARTICULAR PURPOSE, ARE LIMITED TO ONE YEAR OR THE SHORTEST PERIOD ALLOWED BY LAW. Some states and provinces do not allow limitations on the duration of implied warranties of merchantability or fitness, so this limitation may not apply to you. This warranty gives you specific legal rights, and you also may have other rights that vary from state to state or province to province.

### DISCLAIMER OF REPRESENTATIONS OUTSIDE OF WARRANTY

Jenn-Air makes no representations about the quality, durability, or need for service or repair of this major appliance other than the representations contained in this warranty. If you want a longer or more comprehensive warranty than the limited warranty that comes with this major appliance, you should ask Jenn-Air or your retailer about buying an extended warranty.

### LIMITATION OF REMEDIES; EXCLUSION OF INCIDENTAL AND CONSEQUENTIAL DAMAGES

YOUR SOLE AND EXCLUSIVE REMEDY UNDER THIS LIMITED WARRANTY SHALL BE PRODUCT REPAIR AS PROVIDED HEREIN. JENN-AIR SHALL NOT BE LIABLE FOR INCIDENTAL OR CONSEQUENTIAL DAMAGES. Some states and provinces do not allow the exclusion or limitation of incidental or consequential damages, so these limitations and exclusions may not apply to you. This warranty gives you specific legal rights, and you also may have other rights that vary from state to state or province to province.

# SEGURIDAD DE LA BODEGA

## Su seguridad y la seguridad de los demás es muy importante.

Hemos incluido muchos mensajes importantes de seguridad en este manual y en su electrodoméstico. Lea y obedezca siempre todos los mensajes de seguridad.



Este es el símbolo de advertencia de seguridad.

Este símbolo le llama la atención sobre peligros potenciales que pueden ocasionar la muerte o una lesión a usted y a los demás.

Todos los mensajes de seguridad irán a continuación del símbolo de advertencia de seguridad y de la palabra "PELIGRO" o "ADVERTENCIA". Estas palabras significan:

 **PELIGRO**

Si no sigue las instrucciones de inmediato, usted puede morir o sufrir una lesión grave.

 **ADVERTENCIA**

Si no sigue las instrucciones, usted puede morir o sufrir una lesión grave.

Todos los mensajes de seguridad le dirán el peligro potencial, le dirán cómo reducir las posibilidades de sufrir una lesión y lo que puede suceder si no se siguen las instrucciones.

## INSTRUCCIONES IMPORTANTES DE SEGURIDAD

**ADVERTENCIA:** Para reducir el riesgo de incendio, choque eléctrico, o lesiones personales al usar su bodega, siga estas precauciones básicas:

- Conecte a un contacto de pared de conexión a tierra de 3 terminales.
- No quite la terminal de conexión a tierra.
- No use un adaptador.
- No use un cable eléctrico de extensión.
- Desconecte el suministro de energía antes de darle servicio.
- Vuelva a colocar todos los componentes y paneles antes de hacerlo funcionar.
- Remueva las puertas de su bodega vieja.
- Use un limpiador no inflamable.
- Mantenga los materiales y vapores inflamables, tales como gasolina, alejados de la bodega.
- Use dos o más personas para mover e instalar la bodega.

### GUARDE ESTAS INSTRUCCIONES

Advertencias de la Proposición 65 del estado de California:

**ADVERTENCIA:** Este producto contiene una o más sustancias químicas identificadas por el estado de California como causantes de cáncer.

**ADVERTENCIA:** Este producto contiene una o más sustancias químicas identificadas por el estado de California como causantes de defectos congénitos o algún otro tipo de daños en la función reproductora.

## Cómo deshacerse adecuadamente de su bodega vieja

### ⚠️ ADVERTENCIA

#### Peligro de Asfixia

Remueva las puertas de su bodega vieja.

No seguir esta instrucción puede ocasionar la muerte o daño al cerebro.

**IMPORTANTE:** El atrapamiento y asfixia de niños no es un problema del pasado. Las bodegas tiradas y abandonadas son un peligro, aún si van a quedar ahí “por unos pocos días”. Si Ud. está por deshacerse de su bodega vieja, por favor siga las instrucciones que se dan a continuación para prevenir accidentes.

#### Antes de descartar su vieja bodega:

- Saque la puerta.
- Deje los portabotellas en su lugar así los niños no pueden meterse adentro con facilidad.



#### Información importante para saber acerca del desecho de refrigerantes:

Deshágase del refrigerador siguiendo los reglamentos federales y locales. Los refrigerantes deberán ser evacuados por un técnico certificado en refrigeración por EPA (Agencia de protección del medioambiente) según los procedimientos establecidos.

## REQUISITOS DE INSTALACIÓN

### Requisitos de ubicación

### ⚠️ ADVERTENCIA



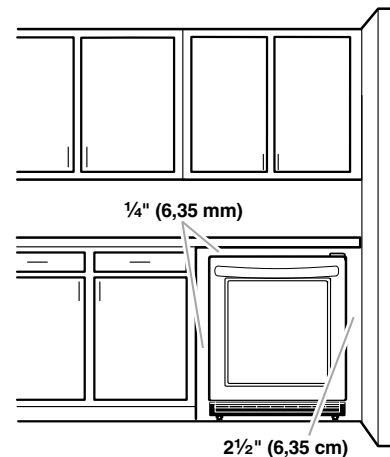
#### Peligro de Explosión

Mantenga los materiales y vapores inflamables, tales como gasolina, alejados de la bodega.

No seguir esta instrucción puede ocasionar la muerte, explosión, o incendio.

#### NOTAS:

- Para que la bodega esté alineada con el frente de los gabinetes de la base, quite los zócalos o molduras de la parte posterior de la abertura. Vea “Dimensiones del producto” y más adelante en esta sección, “Dimensiones de la abertura”.
- No se recomienda instalar la bodega cerca de un horno, radiador u otra fuente de calor.
- No instale en un lugar donde la temperatura puede ser inferior a 55 °F (13 °C). Para obtener un funcionamiento óptimo, no instale la bodega detrás de la puerta de un armario ni bloquee la rejilla de la base.

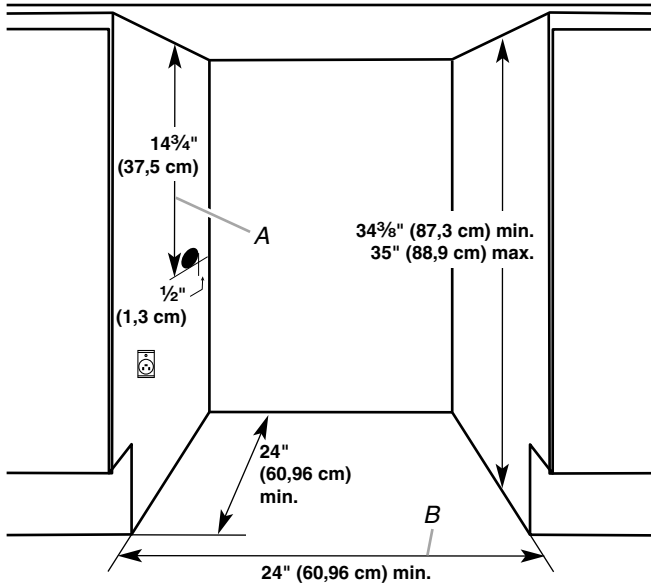


#### Medidas de la abertura

- Las medidas de altura se muestran con las patas niveladoras extendidas a la altura mínima.

**NOTA:** Cuando las patas niveladoras están totalmente extendidas, agregue 5/8" (15 mm) a las medidas de altura. Vea “Medidas del producto.”

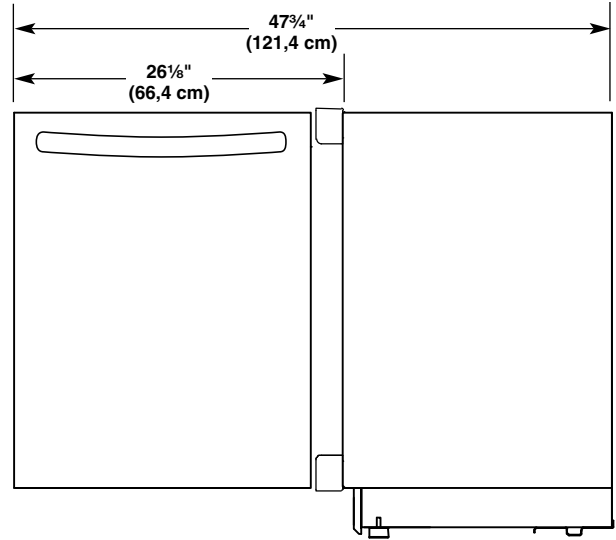
- Si el piso de la abertura no está nivelado con el piso de la cocina, ponga calzas en la abertura para que quede nivelado con el piso de la cocina.



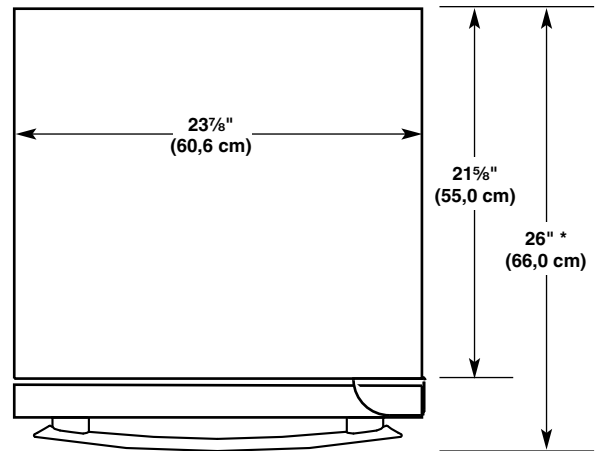
**Dimensiones fundamentales:**

- A. Abertura de uso general de 14 3/4" (37,5 cm)
- B. Ancho mínimo de la abertura de 24" (60,96 cm)

**Vista lateral (puerta abierta a 90°)**



**Vista superior**

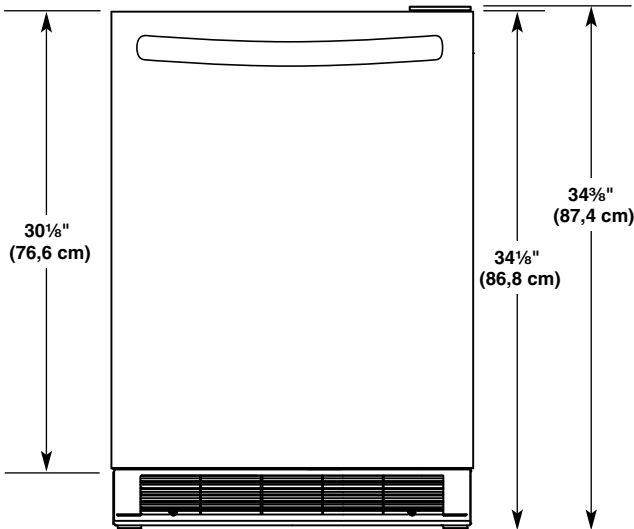


\*La medida incluye manija de estilo de la serie Euro

**Medidas del producto**

- Las medidas de altura se muestran SIN extender las patas niveladoras.
- El cable de suministro de energía es de 60" (152,4 cm) de largo.

**Vista frontal**



## Requisitos eléctricos

### ⚠️ ADVERTENCIA



#### Peligro de Choque Eléctrico

Conecte a un contacto de pared de conexión a tierra de 3 terminales.

No quite la terminal de conexión a tierra.

No use un adaptador.

No use un cable eléctrico de extensión.

No seguir estas instrucciones puede ocasionar la muerte, incendio o choque eléctrico.

Antes de mover la bodega a su ubicación final, es importante asegurarse de que tiene la conexión eléctrica adecuada.

#### Método de conexión a tierra recomendado

Se requiere una fuente de energía eléctrica de 115 Voltios, 60 Hz., CA solamente y con fusibles de 15 ó 20 amperios, debidamente conectada a tierra. Se recomienda que use un circuito separado sólo para su bodega. Use un tomacorriente que no se pueda apagar con un interruptor. No use un cable eléctrico de extensión.

**NOTA:** Antes de realizar cualquier tipo de instalación, limpieza o de quitar un foco de luz, desenchufe la bodega o desconecte la fuente de energía.

## INSTRUCCIONES DE INSTALACIÓN

### Desempaque de la bodega

### ⚠️ ADVERTENCIA

#### Peligro de Peso Excesivo

Use dos o más personas para mover e instalar la bodega.

No seguir esta instrucción puede ocasionar una lesión en la espalda u otro tipo de lesiones.

#### Cómo quitar los materiales de empaque

- Quite los residuos de cinta y goma de las superficies antes de encender la bodega. Frote un poco de detergente líquido para vajillas sobre el adhesivo con los dedos. Limpie con agua tibia y seque.
- No use instrumentos filosos, alcohol para fricciones, líquidos inflamables o productos de limpieza abrasivos para eliminar los restos de cinta o goma. Estos productos pueden dañar la superficie de su bodega. Para más información, vea “Seguridad de la bodega”.

- Deshágase de todos los materiales de embalaje o recíclelos.

#### Cuando mueva su bodega:

Su bodega es muy pesada. Cuando mueva la bodega para limpiarla o darle servicio, cerciórese de cubrir el piso con cartón o madera para evitar daños en el mismo. Al mover la bodega, siempre tire directamente hacia afuera. No menee la bodega de lado a lado ni la haga “caminar” cuando la trate de mover ya que podría dañar el piso.

#### Limpeza antes del uso

Una vez que usted haya quitado todos los materiales de empaque, limpie el interior de su bodega antes de usarla. Vea las instrucciones de limpieza en “Cuidado de la bodega”.

### Cierre de la puerta

#### Cierre de la puerta

Su bodega tiene cuatro patas niveladoras. Si la misma parece inestable o usted quiere que las puertas se cierren con mayor facilidad, ajuste la inclinación de la bodega siguiendo las instrucciones a continuación.

### ⚠️ ADVERTENCIA



#### Peligro de Choque Eléctrico

Conecte a un contacto de pared de conexión a tierra de 3 terminales.

No quite la terminal de conexión a tierra.

No use un adaptador.

No use un cable eléctrico de extensión.

No seguir estas instrucciones puede ocasionar la muerte, incendio o choque eléctrico.

1. Conecte a un contacto de pared de conexión a tierra de 3 terminales.

### ⚠️ ADVERTENCIA

#### Peligro de Peso Excesivo

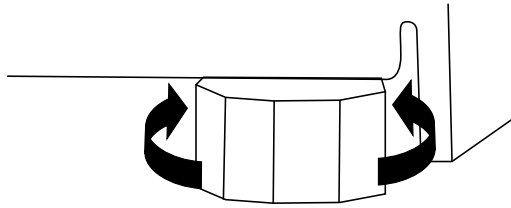
Use dos o más personas para mover e instalar la bodega.

No seguir esta instrucción puede ocasionar una lesión en la espalda u otro tipo de lesiones.

2. Mueva la bodega hacia su posición final.
3. Gire las patas niveladoras hacia la derecha para bajar la bodega o gírelas hacia la izquierda para levantarla. Puede precisar darles varias vueltas a las patas niveladoras para ajustar la inclinación de la bodega.



**NOTA:** Para quitar un poco de peso de las patas niveladoras, haga que alguien empuje la parte superior de la bodega. Esto facilita el ajuste de las mismas.



- Abra la puerta y verifique si se cierra con la facilidad que usted desea. Si no es así, gire ambos tornillos niveladores delanteros hacia la derecha para inclinar levemente la bodega más hacia la parte posterior. Puede tomar varias vueltas más, y usted deberá girar ambas patas niveladoras la misma cantidad de veces.

## USO DE LA BODEGA

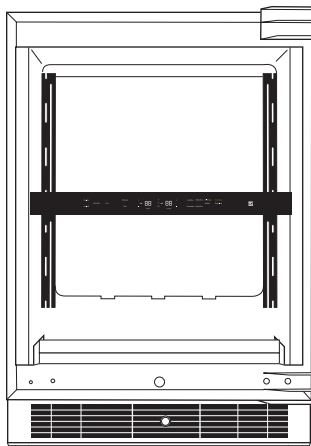
### Sonidos normales

Su nueva bodega puede hacer ruidos que su vieja bodega no hacía. Como estos sonidos son nuevos para Ud., puede ser que se preocupe. La mayoría de los sonidos nuevos son normales. Las superficies duras tales como el piso y las estructuras circundantes pueden hacer que los sonidos parezcan más fuertes. A continuación se describen los tipos de sonidos y qué puede causarlos.

- Su bodega está diseñada para funcionar con más eficiencia para conservar sus vinos a la temperatura deseada y para reducir al mínimo el uso de energía. El compresor y los ventiladores de alta eficiencia pueden causar que su nueva bodega funcione por períodos de tiempo más largos que su bodega vieja. También puede escuchar un sonido pulsante o agudo del compresor o los ventiladores que se ajustan para un funcionamiento óptimo.
- Las vibraciones pueden producirse por el flujo de líquido refrigerante o artículos guardados dentro de la bodega.
- Al final de cada ciclo, Ud. puede escuchar un gorgoteo debido al flujo de líquido refrigerante en su bodega.
- Ud. puede escuchar agua corriendo hacia la bandeja recolectora cuando la bodega se está descongelando.
- Es posible que escuche sonidos de chasquido cuando la bodega comienza o deja de funcionar.

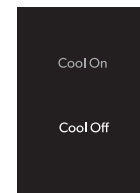
### Uso de los controles

El panel de control para la bodega está ubicado en el separador del medio (montante) de la bodega. El control de la bodega no tiene piezas mecánicas o botones. Cuando se desenchufa, el panel de control no muestra nada y puede resultar difícil de localizar.



### Control On/Off (Encendido/Apagado)

- Cuando la bodega se enchufa por primera vez, el control estará en modo Cool Off (Enfriamiento apagado). Cool On (Enfriamiento encendido) y Cool Off (Enfriamiento apagado) serán las únicas opciones que se mostrarán en la pantalla.



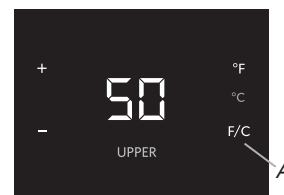
- Presione COOL ON (Enfriamiento encendido) durante 3 segundos para encender la bodega. Se mostrarán todos los menús y los ajustes de temperatura recomendados.



- Las teclas táctiles de preajustes y temperatura que se encuentran a la izquierda controlan la temperatura del compartimiento superior.
- Las teclas táctiles de preajustes y temperatura que se encuentran a la derecha controlan la temperatura del compartimiento inferior.

### Para ver las temperaturas en grados Celsius

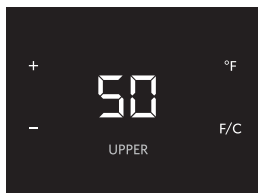
- Presione la tecla táctil F/C para alternar entre Fahrenheit y Celsius. La temperatura se convertirá según la unidad seleccionada y se iluminará la letra correspondiente a la unidad en el costado de la pantalla de la temperatura.



A. Tecla táctil F/C

## Cómo ajustar el control

Cuando la bodega se enciende por primera vez, la temperatura se ajusta por defecto al ajuste recomendado. Existen dos controles de temperatura ajustable, siendo uno para cada compartimiento.



- Para ajustar temperaturas de punto de ajuste, presione “+” (más) o “-” (menos) hasta alcanzar el ajuste de temperatura deseado.

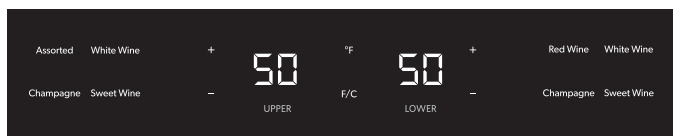
**NOTA:** El punto de ajuste para la bodega es de 50 °F (10 °C) tanto para el compartimiento superior como el inferior. El rango de punto de ajuste para el compartimiento superior es de 42 °F a 54 °F (5 °C a 12 °C) y de 42 °F a 64 °F (5 °C a 17 °C) para el compartimiento inferior.

El control está fijado correctamente cuando el vino está tan frío como a usted le gusta.

**NOTA:** Espere al menos 24 horas entre los ajustes para que el producto se aclimate. Vuelva a revisar las temperaturas antes de hacer más ajustes.

## Cómo usar los valores prefijados

Para su comodidad, la bodega también posee controles prefijados a temperaturas de almacenamiento recomendadas para vinos específicos.



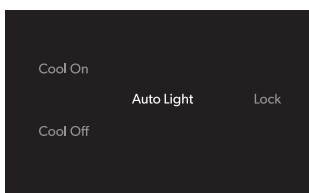
Al presionar cualquier opción prefijada, la temperatura se fijará en la recomendada para un vino específico:

- Assorted (Surtido): 54 °F (12 °C)
- Champagne (Champaña): 46 °F (7 °C)
- Red Wine (Vino tinto): 64 °F (17 °C)
- Sweet Wine (Vino dulce): 42 °F (5 °C)
- White Wine (Vino blanco): 50 °F (10 °C)

## Luz automática

La bodega tiene un sensor que encenderá la luz de la pantalla interior de forma automática cuando una persona pase cerca. Cuando no se detecta más movimiento, la luz de la pantalla interior se apagará después de 2 minutos.

- Presione la opción de Auto Light (Luz automática) para activar esta función.



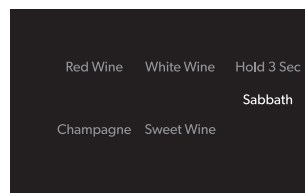
- Cuando Auto Light (Luz automática) no se activa, la luz de la pantalla interior se encenderá solamente cuando la puerta esté abierta.

## NOTAS:

- Si se deja la luz encendida por mucho tiempo, aumentará ligeramente la temperatura de la bodega.
- La luz es LED y no necesita reemplazarse. Sin embargo, si el LED no se enciende cuando la puerta está abierta, llame al Servicio técnico para que revisen el problema y lo reemplace de ser necesario. Vea “Ayuda o servicio técnico” para obtener la información de contacto

## Modo de día de descanso

El modo Sabbath (Día de descanso) se ha diseñado para los viajeros o para aquellas personas que debido a sus creencias religiosas necesitan que se apaguen las luces. Al seleccionar esta función, los puntos de ajuste de temperatura permanecerán sin cambios, pero las luces del panel de control, las luces interiores y el sonido de control se apagarán. Para que la bodega funcione de modo eficaz, se recomienda que salga del modo Sabbath (Día de descanso) cuando ya no lo necesite.



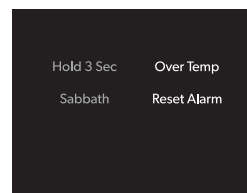
- Mantenga presionado SABBATH (Día de descanso) por 3 segundos para encender la función. Luego de la cuenta regresiva de 3 segundos, la función se activará y el resto de las pantallas se apagarán.
- Mantenga presionado SABBATH (Día de descanso) por 3 segundos para apagar la función y encender la pantalla.

## Puerta abierta

Si se abre la puerta por más de 5 minutos, sonará una alarma cada 2 minutos hasta que la puerta se cierre o se presione cualquiera de los controles.

## Alarma de temperatura excesiva

La característica de temperatura excesiva está diseñada para hacerle saber cuándo la bodega excede los 70 °F (21 °C) por más de 4 horas. La alarma sonora se apagará automáticamente cuando la temperatura vuelva a la normalidad. Para hacerle saber que ha ocurrido una condición de temperatura excesiva, la luz indicadora continuará destellando hasta que se presione la tecla táctil Reset Alarm (Restablecer alarma).

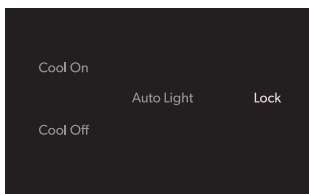


Si luego de restablecer Over Temp (Temperatura excesiva), la condición que causa el exceso de temperatura persiste, la luz indicadora continuará reactivándose cada 4 horas, hasta que la temperatura de la bodega esté por debajo de los 70 °F (21 °C).

**NOTA:** Estas funciones no aparecerán en el control, salvo que la bodega esté por encima de los 70 °F (21 °C) y la alarma deba restablecerse.

## Modo de bloqueo

El modo Lock (Bloqueo) desactiva todas las opciones y evita que se realice cualquier cambio a los ajustes de temperatura deseados.



- Para activar el modo Lock (Bloqueo), mantenga presionado LOCK (Bloqueo) durante 3 segundos. Después de la cuenta regresiva, todas las otras pantallas se apagarán y no estarán disponibles a excepción de Cool On (Enfriamiento encendido), Cool Off (Enfriamiento apagado) y Lock (Bloqueo).

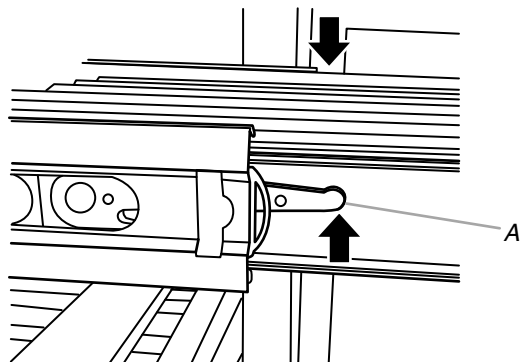
## Modo de sala de exposición

Este modo se usa solamente cuando la bodega está de muestra en una tienda minorista. Si usted enciende el modo Showroom (Sala de exposición) por accidente, Cool Off (Enfriamiento apagado) se encenderá en la pantalla y los controles parecerán estar funcionando. Salga del modo Showroom (Sala de exposición) manteniendo presionado COOL ON (Enfriamiento encendido) y SABBATH (Día de descanso) al mismo tiempo durante 3 segundos.

## Portabotellas

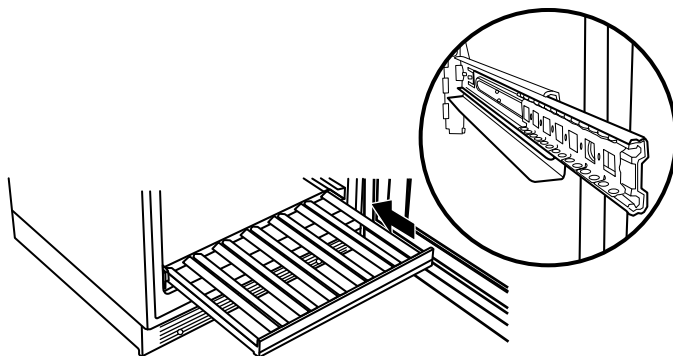
### Quite y vuelva a colocar los portabotellas

1. Jale el portabotellas hacia adelante hasta que se detenga.
2. Levante la palanca de la izquierda mientras ejerce presión sobre la palanca de la derecha para liberar el portabotellas. Jale el portabotellas hacia adelante y levántelo para sacarlo de los soportes del portabotellas.



A. Palanca

3. Vuelva a colocar el portabotellas insertándolo en los soportes y deslizándolo hacia la parte posterior de la bodega.

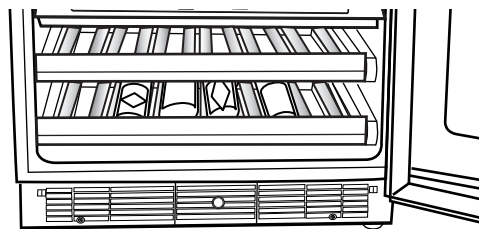


## Cómo almacenar en la bodega

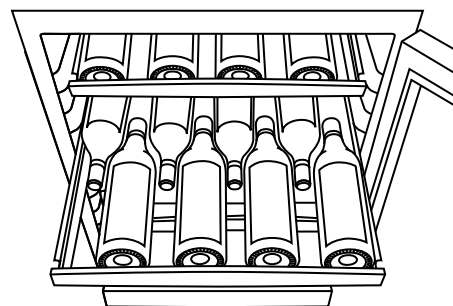
**NOTA:** Para un óptimo almacenamiento de vinos, coloque los vinos blancos en la parte superior de la bodega, los vinos rosados en el centro y los vinos tintos en la parte inferior.

### Para almacenar en la bodega

1. Al almacenar, comience por el portabotellas inferior.
2. Empezando por el lado izquierdo, coloque la primera botella sobre la parte inferior del portabotellas, con el cuello de la botella mirando hacia el frente de la bodega.
3. Coloque la próxima botella al costado, con el cuello de la botella mirando hacia la parte posterior de la bodega. Alterne la dirección de las botellas de esta manera hasta que el portabotellas esté lleno.



4. Deslice el portabotellas inferior a su lugar y jale hacia afuera el siguiente portabotellas.
5. Continúe almacenando los portabotellas restantes como se describe en los pasos anteriores.



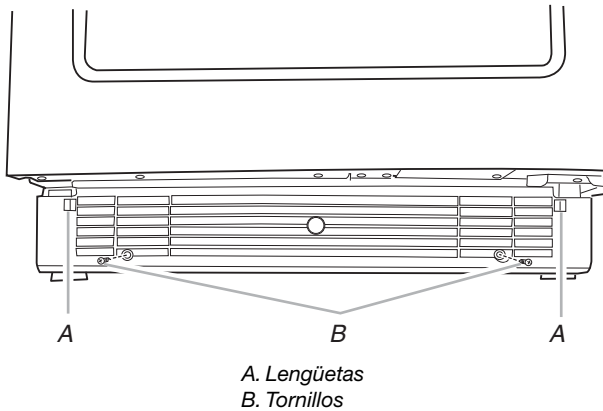
# CUIDADO DE LA BODEGA

## Rejilla de la base

Debe quitar la rejilla de la base para acceder a los serpentines del condensador a fin de limpiarlo.

### Para quitar la rejilla de la base:

1. Abra la puerta de la bodega.
2. Quite los dos tornillos con un destornillador Phillips. Empuje ambas lengüetas hacia el centro para liberar la rejilla de la base de la bodega.



3. Quite la rejilla de la base.

### Para volver a colocar la rejilla de la base:

1. Abra la puerta de la bodega.
2. Coloque la rejilla de la base de manera que ambas lengüetas estén alineadas y la rejilla de la base encaje en su lugar. Vuelva a colocar los dos tornillos. Apriete los tornillos.

## Limpieza

### ⚠ ADVERTENCIA



#### Peligro de Explosión

Use un limpiador no inflamable.

No seguir esta instrucción puede ocasionar la muerte, explosión o incendio.

Limpie la bodega aproximadamente una vez al mes para evitar la acumulación de olores. Limpie los derrames de inmediato.

### Cómo limpiar la bodega:

1. Desenchufe la bodega o desconecte el suministro de energía.
2. Quite todos los portabotellas del interior de la bodega.
3. Lave a mano, enjuague y seque todas las piezas desmontables y las superficies interiores meticulosamente. Use una esponja limpia o un paño suave y un detergente suave en agua tibia.
  - Para evitar dañar las piezas con puntas y molduras de madera, límpielas con una esponja limpia o un paño suave y agua tibia. No use detergente ni sumerja todo el portabotellas en agua cuando lo esté limpiando.

- No use productos de limpieza abrasivos o ásperos, como aerosoles para ventanas, productos de limpieza para pulir, líquidos inflamables, ceras para limpieza, detergentes concentrados, blanqueadores o productos de limpieza que contengan productos derivados de petróleo en las partes de plástico, revestimientos interiores o de la puerta o juntas. No use toallas de papel, estropajos para fregar u otros utensilios de limpieza ásperos. Estos pueden rayar o dañar los materiales.
- Para ayudar a eliminar olores, puede lavar las paredes interiores con una mezcla de agua tibia y bicarbonato de sodio (2 cucharadas en un cuarto de galón [26 g en 0,95 L] de agua).

4. Lave las superficies externas metálicas pintadas y de acero inoxidable con una esponja limpia o un paño suave y detergente suave con agua tibia. No use productos de limpieza abrasivos o ásperos o que contengan cloro. Estos pueden rayar o dañar los materiales. Seque meticulosamente con un paño suave.

**NOTA:** Para mantener como nueva su bodega de acero inoxidable y para quitar marcas o rayaduras pequeñas, se sugiere usar el limpiador de acero inoxidable aprobado por el fabricante. Para pedir el limpiador, vea "Accesorios".

**IMPORTANTE:** ¡Este limpiador es solamente para piezas de acero inoxidable!

No permita que el limpiador de acero inoxidable entre en contacto con ninguna parte de plástico tales como las piezas del marco, las tapas del despachador o las juntas de la puerta. Si se produce contacto no intencional, limpie la pieza de plástico con una esponja y detergente suave en agua tibia. Seque meticulosamente con un paño suave.

5. Vuelva a colocar los portabotellas.
6. Limpie los serpentines del condensador regularmente. Están ubicados detrás de la rejilla de la base. Quizás necesite limpiar los serpentines cada dos meses. Esto puede ayudar a ahorrar energía.
  - Quite la rejilla de la base. Vea "Rejilla de la base".
  - Use una aspiradora con extensión para limpiar los serpentines del condensador siempre que estén sucios o con polvo.
  - Vuelva a colocar la rejilla de la base.
7. Enchufe la bodega o reconecte el suministro de energía.

## Cuidado durante las vacaciones y mudanzas

### Vacaciones

- Si Ud. decide apagar la bodega antes de irse, siga estos pasos.
1. Saque todas las botellas de vino de la bodega.
  2. Desenchufe la bodega.
  3. Limpie la bodega. Vea "Limpieza".
  4. Fije un bloque de goma o de madera con cinta adhesiva a la parte superior de la puerta para que quede abierta y el aire circule. Esto evita que se formen olores y que crezcan hongos.

## Mudanza

Si Ud. muda su bodega a una casa nueva, siga los pasos a continuación para prepararse para la mudanza.

1. Saque todas las botellas de vino de la bodega.
2. Desenchufe la bodega.
3. Límpiela, pásele un paño y séquela detalladamente.

4. Saque todas las partes desmontables, envuélvalas bien y asegúrelas con cinta adhesiva para que no se sacudan durante la mudanza.
5. Sostenga las puertas cerradas y el cable pegado a la carcasa de la bodega con cinta adhesiva.

Cuando llegue a la casa nueva, ponga todo de nuevo y lea la sección “Instrucciones de instalación” para obtener instrucciones de preparación.

## SOLUCIÓN DE PROBLEMAS

Primero pruebe las soluciones sugeridas aquí para evitar el costo innecesario del servicio técnico.

### La bodega no funciona

#### **ADVERTENCIA**



#### **Peligro de Choque Eléctrico**

**Conecte a un contacto de pared de conexión a tierra de 3 terminales.**

**No quite la terminal de conexión a tierra.**

**No use un adaptador.**

**No use un cable eléctrico de extensión.**

**No seguir estas instrucciones puede ocasionar la muerte, incendio o choque eléctrico.**

- **¿Está desenchufado el cable de suministro eléctrico?** Conecte a un tomacorriente de 3 terminales con conexión a tierra.
- **¿Hay un fusible de la casa fundido o se disparó el cortacircuitos?** Reemplace el fusible o reposicione el cortacircuitos.
- **¿Se ha colocado el control de la bodega en el modo Cool Off (Enfriamiento apagado)?** Vea “Uso de los controles”.

### El motor parece funcionar en exceso

- **¿Está la temperatura exterior más alta de lo normal?** En condiciones de calor, el motor funciona por períodos más largos. Cuando la temperatura es normal, el motor funciona entre 40% y 80% del tiempo. En temperaturas más altas, puede funcionar aún por más tiempo.
- **¿Se abre la puerta con frecuencia?** Cuando esto ocurre, el motor puede funcionar por períodos más largos. Para ahorrar energía, trate de sacar todo lo que necesite de la bodega de una sola vez. Mantenga las botellas de vino con la etiqueta hacia arriba para encontrarlas con facilidad y cierre la puerta una vez que se haya sacado el vino.

- **¿Se ha ajustado el control correctamente de acuerdo con las condiciones circundantes?** Vea “Uso de los controles”.
- **¿Está completamente cerrada la puerta?** Cierre la puerta con firmeza. Si no se cierra completamente, vea “La puerta no cierra completamente” más adelante en esta sección.
- **¿Están sucios los serpentines del condensador?** Esto obstruye la transferencia de aire y hace que el motor trabaje más. Limpie los serpentines del condensador. Vea “Limpieza”.

### La temperatura está demasiado elevada

- **¿Se abre la puerta con frecuencia?** Tenga en cuenta que la bodega se calienta cuando esto ocurre. Para mantener la bodega fría, trate de sacar todo lo que necesite de la bodega de una sola vez. Mantenga las botellas de vino con la etiqueta hacia arriba para encontrarlas con facilidad y cierre la puerta una vez que se haya sacado el vino.
- **¿Se ha ajustado el control correctamente de acuerdo con las condiciones circundantes?** Vea “Uso de los controles”.
- **¿Está bloqueada la rejilla de la base?** Para obtener un funcionamiento óptimo, no instale la bodega detrás de la puerta de un armario ni bloquee la rejilla de la base.

### Hay acumulación de humedad en el interior

- **¿Se abre la puerta con frecuencia?** Para evitar la acumulación de humedad, trate de sacar todo lo que necesite de la bodega de una sola vez, mantenga las botellas de vino con las etiquetas hacia arriba para encontrarlas con facilidad y cierre la puerta una vez que se haya sacado el vino. Cuando la puerta está abierta, la humedad de la habitación ingresa a la bodega. La humedad se acumula más rápido cuanto más seguido se abre la puerta, especialmente cuando la habitación está muy húmeda.
- **¿Hay humedad?** Es normal que se acumule humedad dentro de la bodega cuando el aire está húmedo.
- **¿Se ha ajustado el control correctamente de acuerdo con las condiciones circundantes?** Vea “Uso de los controles”.

## Es difícil abrir la puerta

### **ADVERTENCIA**



#### Peligro de Explosión

Use un limpiador no inflamable.

No seguir esta instrucción puede ocasionar la muerte, explosión o incendio.

- **¿Está la junta sucia o pegajosa?** Limpie la junta y la superficie con la que ésta hace contacto. Frote una capa delgada de cera de parafina sobre la junta después de la limpieza.

## La puerta no cierra completamente

### **ADVERTENCIA**



#### Peligro de Explosión

Use un limpiador no inflamable.

No seguir esta instrucción puede ocasionar la muerte, explosión o incendio.

- **¿Está pegajosa la junta?** Limpie la junta y la superficie con la que ésta hace contacto. Frote una capa delgada de cera de parafina sobre la junta después de la limpieza.

## AYUDA O SERVICIO TÉCNICO

Antes de solicitar ayuda o servicio técnico, por favor consulte la sección "Solución de problemas". Esto le podría ahorrar el costo de una visita de servicio técnico. Si considera que aún necesita ayuda, siga las instrucciones que aparecen a continuación.

Cuando llame, tenga a mano la fecha de compra y el número completo del modelo y de la serie de su electrodoméstico. Esta información nos ayudará a atender mejor a su pedido.

### Si necesita piezas de repuesto

Si necesita pedir refacciones, recomendamos que use únicamente piezas de repuesto especificadas de fábrica. Las piezas de repuesto especificadas de fábrica encajarán bien y funcionarán bien ya que están confeccionadas con la misma precisión empleada en la fabricación de cada electrodoméstico nuevo de Jenn-Air®.

Para encontrar piezas de repuesto especificadas de fábrica en su localidad, llámenos o llame al centro de servicio técnico designado más cercano a su localidad.

### En los EE.UU.

Llame al centro para la eXperiencia del cliente de Jenn-Air sin costo alguno al: **1-800-JENNAIR (1-800-536-6247)**.

#### Nuestros consultores ofrecen ayuda para:

- Características y especificaciones de nuestra línea completa de electrodomésticos.
- Información sobre la instalación.
- Procedimiento para el uso y mantenimiento.
- Venta de accesorios y partes para reparación.
- Asistencia especializada para el consumidor (habla hispana, problemas de audición, visión limitada, etc.).
- Recomendaciones con distribuidores locales, compañías que dan servicio y distribuidores de partes para reparación. Los técnicos designados por Jenn-Air están entrenados para cumplir con la garantía del producto y ofrecer servicio una vez que la garantía termine, en cualquier lugar de los Estados Unidos.

Para localizar a una compañía de servicio designada por Jenn-Air en su área, también puede consultar la sección amarilla de su guía telefónica.

### Para obtener asistencia adicional

Si necesita asistencia adicional, puede escribir a Jenn-Air con sus preguntas o dudas a:

Jenn-Air Brand Home Appliances  
Customer eXperience Center  
553 Benson Road  
Benton Harbor, MI 49022-2692

Por favor incluya en su correspondencia un número de teléfono en el que se le pueda localizar durante el día.

### En Canadá

Llame al Centro para la eXperiencia del cliente de Jenn-Air en Canadá sin costo alguno al: **1-800-JENNAIR (1-800-536-6247)**.

#### Nuestros consultores ofrecen ayuda para:

- Características y especificaciones de nuestra línea completa de electrodomésticos.
- Procedimiento para el uso y mantenimiento.
- Venta de accesorios y partes para reparación.
- Recomendaciones con distribuidores locales, compañías que dan servicio y distribuidores de partes para reparación. Los técnicos designados por Jenn-Air Canada están entrenados para cumplir con la garantía del producto y ofrecer servicio una vez que la garantía termine, en cualquier lugar de Canadá.

### Para obtener asistencia adicional

Si necesita asistencia adicional, puede escribir a Jenn-Air Canada con sus preguntas o dudas a:

Jenn-Air Canada  
Customer eXperience Centre  
200 – 6750 Century Ave.  
Mississauga, Ontario L5N 0B7

Por favor incluya en su correspondencia un número de teléfono en el que se le pueda localizar durante el día.

# GARANTÍA LIMITADA DE REFRIGERACIÓN JENN-AIR®

ADJUNTE SU RECIBO AQUÍ. SE REQUIERE LA PRUEBA DE COMPRA PARA OBTENER SERVICIO BAJO LA GARANTÍA.

Tenga a mano la siguiente información cuando llame al Centro para la eXperiencia del cliente:

- Nombre, dirección y número de teléfono
- Número de modelo y de serie
- Una descripción clara y detallada del problema
- Prueba de compra incluido el nombre y la dirección del distribuidor o vendedor

## SI NECESITA SERVICIO TÉCNICO:

1. Antes de contactarnos para obtener servicio, determine si el producto requiere reparación. Algunas consultas pueden atenderse sin servicio técnico. Tómese unos minutos para revisar la sección de Solución de problemas o Problemas y soluciones del Manual de uso y cuidado, escanee el código QR que se encuentra a la derecha para acceder a los recursos adicionales o visite <https://jennair.custhelp.com>.
2. Todos los servicios bajo la garantía los brindan exclusivamente Prestadores autorizados de servicio de Jenn-Air. Para EE.UU. y Canadá, dirija todas las solicitudes de servicio bajo la garantía a:

**Centro para la eXperiencia del cliente de Jenn-Air**  
**1-800-JENNAIR (1-800-536-6247)**



<https://jennair.custhelp.com>

Si usted se encuentra fuera de los cincuenta Estados Unidos o Canadá, póngase en contacto con su distribuidor autorizado de Jenn-Air para determinar si corresponde otra garantía.

## GARANTÍA LIMITADA DE CINCO AÑOS

### LO QUE ESTÁ CUBIERTO

#### GARANTÍA LIMITADA DE DOS AÑOS

Durante dos años a partir de la fecha de compra, siempre y cuando este electrodoméstico principal se instale y se le dé un uso y mantenimiento de conformidad con las instrucciones adjuntas o provistas con el producto, la marca Jenn-Air de Whirlpool Corporation o Whirlpool Canada LP (en lo sucesivo denominado "Jenn-Air"), se hará cargo del costo de las piezas especificadas de fábrica y del trabajo de reparación para corregir defectos en los materiales o en la mano de obra, existentes en el momento de la compra de este electrodoméstico principal o reemplazará, a su entera discreción, el producto. En caso de reemplazo, el electrodoméstico estará bajo garantía por el tiempo restante del periodo de garantía de la unidad original.

#### GARANTÍA LIMITADA DEL TERCER AL QUINTO AÑO EN EL REVESTIMIENTO DE LA CAVIDAD Y EL SISTEMA DE REFRIGERACIÓN SELLADO

Desde el tercer al quinto año desde la fecha de compra original, siempre y cuando este electrodoméstico principal se instale y se le dé un uso y mantenimiento de conformidad con las instrucciones adjuntas o provistas con el producto, la marca Jenn-Air se hará cargo del costo de las piezas especificadas de fábrica y del trabajo de reparación para los siguientes componentes, para corregir defectos no estéticos en los materiales y en la mano de obra que tenga esta pieza, los cuales eviten el funcionamiento del refrigerador, y que hayan existido en el momento de la compra de este electrodoméstico principal:

- Revestimiento de la cavidad del refrigerador/congelador si la pieza se rompiera debido a defectos de material o de mano de obra.
- Sistema de refrigeración sellado (incluye compresor, evaporador, condensador, secador y tubos conectores).

SU ÚNICO Y EXCLUSIVO RECURSO SEGÚN LOS TÉRMINOS DE ESTA GARANTÍA LIMITADA SERÁ EL DE REPARAR EL PRODUCTO SEGÚN SE ESTIPULA EN LA PRESENTE. El servicio deberá ser suministrado por una compañía de servicio designada por Jenn-Air. Esta garantía limitada es válida solamente en Estados Unidos o en Canadá y se aplica solamente cuando el electrodoméstico principal se use en el país en el que se ha comprado. Esta garantía limitada entrará en vigor a partir de la fecha de la compra del consumidor original. Se requiere una prueba de la fecha de compra original para obtener servicio bajo esta garantía limitada.

### LO QUE NO ESTÁ CUBIERTO

1. Uso comercial, no residencial o familiar múltiple o uso diferente del indicado en las instrucciones del usuario, del operador o de instalación publicadas.
  2. Instrucción a domicilio sobre cómo usar el producto.
  3. Servicio para corregir el mantenimiento o la instalación incorrecta del producto, la instalación que no esté de acuerdo con los códigos eléctricos o de plomería o corrección de plomería o instalación eléctrica doméstica (por ejemplo, instalación eléctrica, fusibles o mangueras de entrada de agua del hogar).
  4. Piezas de consumo (por ejemplo, focos de luz, baterías, filtros de agua o de aire, soluciones de conservación, etc.).
  5. Defectos o daños causados por el uso de piezas o accesorios no legítimos de Jenn-Air.
  6. Daño causado por accidente, uso indebido, abuso, incendio, inundación, actos fortuitos o el empleo de productos no aprobados por Jenn-Air.
  7. Reparaciones a piezas o sistemas para corregir el daño o los defectos del producto a causa de reparaciones por servicio no autorizado, alteraciones o modificaciones en el electrodoméstico.
  8. Daños estéticos, incluyendo rayaduras, abolladuras, desportilladuras u otro daño al acabado del electrodoméstico a menos que el mismo sea debido a defectos en los materiales o la mano de obra y se le informe a Jenn-Air en un lapso de 30 días.
  9. Decoloración, herrumbre u oxidación de las superficies producto de entornos corrosivos o cáusticos que incluyen, entre otras cosas, altas concentraciones de sal, humedad elevada o exposición a productos químicos.
  10. Pérdida de comida o medicamentos debido a la falla del producto.
  11. Recogida o entrega. Este producto está destinado para ser reparado en su hogar.
  12. Gastos de viaje o de transporte para prestar servicio en lugares remotos en los cuales no haya disponible un técnico de servicio autorizado por Jenn-Air.
  13. Remoción o reinstalación de electrodomésticos en lugares inaccesibles o dispositivos empotrados (por ejemplo, adornos, paneles decorativos, pisos, armarios, islas, mostradores, paredes, etc.) que interfieran con el servicio, la remoción o el reemplazo del producto.
  14. Servicio técnico o piezas para electrodomésticos con números de serie/modelo originales removidos, alterados o no identificados con facilidad.
- El costo de la reparación o del reemplazo bajo estas circunstancias excluidas correrá por cuenta del cliente.**

---

**EXCLUSIÓN DE GARANTÍAS IMPLÍCITAS**

LAS GARANTÍAS IMPLÍCITAS, INCLUYENDO CUALQUIER GARANTÍA IMPLÍCITA DE COMERCIABILIDAD O GARANTÍA IMPLÍCITA DE CAPACIDAD PARA UN PROPÓSITO PARTICULAR, SERÁN LIMITADAS A UN AÑO O AL PERÍODO MÁS CORTO PERMITIDO POR LEY. Algunos estados y provincias no permiten la limitación de la duración de las garantías implícitas de comerciabilidad o capacidad, de modo que la limitación arriba indicada quizá no le corresponda. Esta garantía le otorga derechos legales específicos y es posible que usted tenga también otros derechos que varían de un estado a otro o de una provincia a otra.

---

**EXCLUSIÓN DE DECLARACIONES FUERA DE LA GARANTÍA**

Jenn-Air no hace declaraciones acerca de la calidad, durabilidad o necesidad de servicio técnico o reparación de este electrodoméstico principal aparte de las declaraciones incluidas en esta garantía. Si usted desea una garantía con una duración más prolongada o más completa que la garantía limitada que se incluye con este electrodoméstico principal, deberá dirigirse a Jenn-Air o a su distribuidor acerca de la compra de una garantía extendida.

---

**LIMITACIÓN DE RECURSOS; EXCLUSIÓN DE DAÑOS INCIDENTALES Y CONSECUENTES**

SU ÚNICO Y EXCLUSIVO RECURSO SEGÚN LOS TÉRMINOS DE ESTA GARANTÍA LIMITADA SERÁ EL DE REPARAR EL PRODUCTO SEGÚN SE ESTIPULA EN LA PRESENTE. JENN-AIR NO SE RESPONSABILIZARÁ POR DAÑOS INCIDENTALES O CONSECUENTES. Algunos estados y provincias no permiten la exclusión o limitación de daños incidentales o consecuentes, de modo que estas limitaciones y exclusiones quizás no le correspondan. Esta garantía le otorga derechos legales específicos y es posible que usted tenga también otros derechos que varían de un estado a otro o de una provincia a otra.

---



# SÉCURITÉ DE LA CAVE À VIN

## Votre sécurité et celle des autres est très importante.

Nous donnons de nombreux messages de sécurité importants dans ce manuel et sur votre appareil ménager. Assurez-vous de toujours lire tous les messages de sécurité et de vous y conformer.



Voici le symbole d'alerte de sécurité.

Ce symbole d'alerte de sécurité vous signale les dangers potentiels de décès et de blessures graves à vous et à d'autres.

Tous les messages de sécurité suivront le symbole d'alerte de sécurité et le mot "DANGER" ou "AVERTISSEMENT". Ces mots signifient :

**⚠ DANGER**

**Risque possible de décès ou de blessure grave si vous ne suivez pas immédiatement les instructions.**

**⚠ AVERTISSEMENT**

**Risque possible de décès ou de blessure grave si vous ne suivez pas les instructions.**

Tous les messages de sécurité vous diront quel est le danger potentiel et vous disent comment réduire le risque de blessure et ce qui peut se produire en cas de non-respect des instructions.

## IMPORTANTES INSTRUCTIONS DE SÉCURITÉ

**AVERTISSEMENT :** Pour réduire les risques d'incendie, de choc électrique ou des blessures lors de l'utilisation de la cave à vin, prendre quelques précautions fondamentales, y compris les suivantes :

- Brancher l'appareil sur une prise à 3 alvéoles reliée à la terre.
- Ne pas enlever la broche de liaison à la terre.
- Ne pas utiliser un adaptateur.
- Ne pas utiliser un câble de rallonge.
- Débrancher la source de courant électrique avant l'entretien.
- Replacer pièces et panneaux avant de faire la remise en marche.
- Enlever les portes de votre vieille cave à vin.
- Utiliser un produit de nettoyage ininflammable.
- Garder les matériaux et les vapeurs inflammables, telle que l'essence, loin de la cave à vin.
- Utiliser deux ou plus de personnes pour déplacer et installer la cave à vin.

## CONSERVEZ CES INSTRUCTIONS

Avertissements de la proposition 65 de l'État de Californie :

**AVERTISSEMENT :** Ce produit contient au moins un produit chimique connu par l'État de Californie pour être à l'origine de cancers.

**AVERTISSEMENT :** Ce produit contient au moins un produit chimique connu par l'État de Californie pour être à l'origine de malformations et autres déficiences de naissance.

## Mise au rebut de votre vieille cave à vin

**⚠ AVERTISSEMENT**

**Risque de suffoquer**

**Enlever la porte de votre vieille cave à vin.**

**Le non-respect de cette instruction peut causer un décès ou des lésions cérébrales.**

**Avant de jeter votre vieille cave à vin :**

- Enlever la porte.
- Laisser les tablettes en place de sorte que les enfants ne puissent pas y pénétrer facilement.



**IMPORTANT :** L'emprisonnement et l'étouffement des enfants ne sont pas un problème du passé. Les caves à vin jetées ou abandonnées sont encore dangereuses, même si elles sont laissées abandonnées pendant "quelques jours seulement". Si vous vous débarrassez de votre vieille cave à vin, veuillez suivre les instructions suivantes pour aider à éviter les accidents.

### Renseignements importants à propos de la mise au rebut des fluides réfrigérants :

Mettre le réfrigérateur au rebut conformément à la réglementation fédérale et locale. Les fluides réfrigérants doivent être évacués par un technicien certifié et agréé par l'EPA conformément aux procédures établies.

## EXIGENCES D'INSTALLATION

### Exigences d'emplacement

#### **⚠ AVERTISSEMENT**



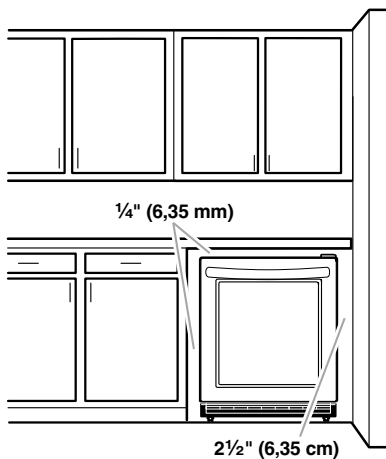
#### Risque d'explosion

Garder les matériaux et les vapeurs inflammables, telle que l'essence, loin de la cave à vin.

Le non-respect de cette instruction peut causer un décès, une explosion ou un incendie.

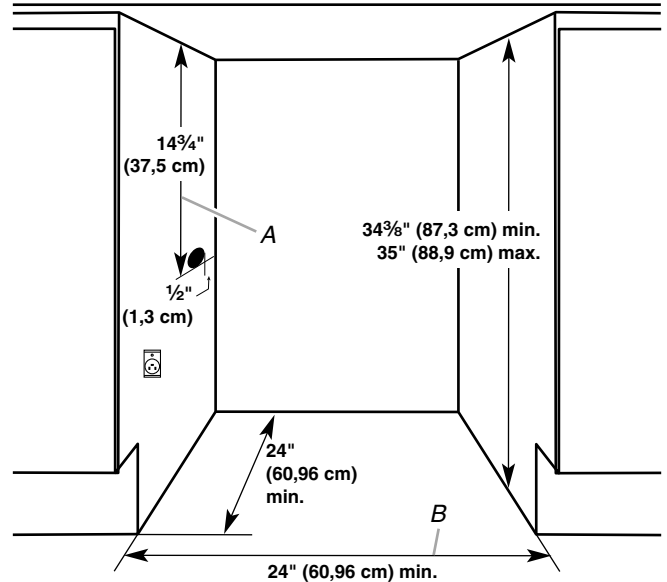
#### REMARQUES :

- Lorsqu'on souhaite placer la cave à vin en affleurement avec la façade des placards inférieurs, enlever toutes les moulures et plinthes à l'arrière de l'ouverture. Voir "Dimensions du produit" et plus loin dans cette section, "Dimensions de l'ouverture".
- Il est conseillé de ne pas installer la cave à vin près d'un four, d'un radiateur ou de toute autre source de chaleur.
- Ne pas installer l'appareil en un endroit où la température pourrait descendre en-dessous de 55°F (13°C). Pour le meilleur rendement, ne pas installer la cave à vin derrière une porte d'armoire ni obstruer la grille de la base.



### Dimensions de l'ouverture

- Les dimensions de hauteur indiquées correspondent à la configuration selon laquelle les pieds de nivellement sont déployés à la hauteur minimale.  
**REMARQUE :** Lorsque les pieds de nivellement sont complètement déployés, ajouter 5/8" (1 mm) aux dimensions de hauteur. Voir "Dimensions du produit".
- Si le plancher de l'ouverture n'est pas au même niveau que le plancher de la cuisine, installer des cales pour établir un niveau uniforme avec le plancher de la cuisine.



#### Dimensions critiques :

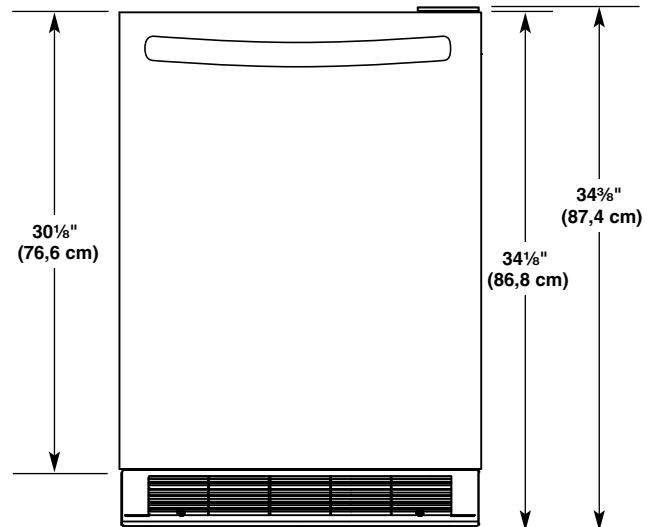
A. Ouverture utilitaire : 14 3/4" (37,5 cm)

B. Largeur minimale de l'ouverture : 24" (60,96 cm)

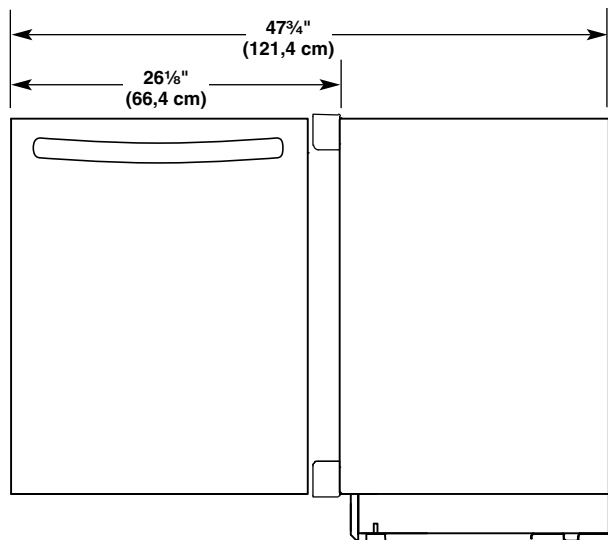
### Dimensions du produit

- Les dimensions de hauteur indiquées correspondent à la configuration selon laquelle les pieds de nivellement ne sont PAS déployés.
- Le cordon d'alimentation mesure 60" (152,4 cm) de long.

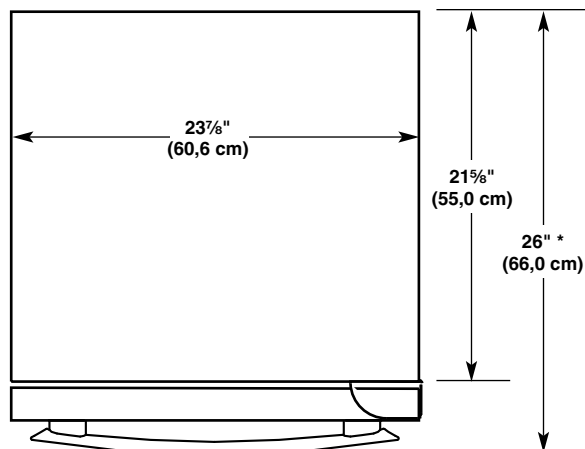
### Vue de face



## Vue latérale (la porte s'ouvre à 90°)



## Vue du dessus



\*La dimension inclut une poignée du style de la série Euro

## Spécifications électriques

### ⚠ AVERTISSEMENT



#### Risque de choc électrique

- Brancher sur une prise à 3 alvéoles reliée à la terre.
- Ne pas enlever la broche de liaison à la terre.
- Ne pas utiliser un adaptateur.
- Ne pas utiliser un câble de rallonge.
- Le non-respect de ces instructions peut causer un décès, un incendie ou un choc électrique.

Avant de placer la cave à vin à son emplacement final, il est important de vous assurer d'avoir la connexion électrique appropriée.

#### Méthode recommandée de mise à la terre

Une source d'alimentation de 115 volts, 60 Hz, type 15 ou 20 ampères CA seulement, protégée par fusibles et adéquatement mise à la terre est nécessaire. Il est recommandé d'utiliser un circuit distinct pour alimenter uniquement votre cave à vin. Utiliser une prise murale qui ne peut pas être mise hors circuit à l'aide d'un commutateur. Ne pas utiliser un câble de rallonge.

**REMARQUE :** Avant d'exécuter tout type d'installation, nettoyage ou remplacement d'une ampoule d'éclairage, débrancher la cave à vin ou déconnecter la source de courant électrique.

## INSTRUCTIONS D'INSTALLATION

### Déballage de la cave à vin

### ⚠ AVERTISSEMENT

#### Risque du poids excessif

- Utiliser deux ou plus de personnes pour déplacer et installer la cave à vin.
- Le non-respect de cette instruction peut causer une blessure au dos ou d'autre blessure.

#### Enlèvement de l'emballage

- Enlever le ruban adhésif et la colle des surfaces de la cave à vin avant de la mettre en marche. Frotter une petite quantité de savon liquide pour la vaisselle sur l'adhésif avec les doigts. Rincer à l'eau tiède et essuyer.
- Ne pas utiliser d'instruments coupants, d'alcool à friction, de liquides inflammables ou de nettoyants abrasifs pour enlever le ruban adhésif ou la colle. Ces produits peuvent endommager la surface de votre cave à vin. Pour plus de renseignements, voir "Sécurité de la cave à vin".

## **⚠ AVERTISSEMENT**



### **Risque de choc électrique**

**Brancher sur une prise à 3 alvéoles reliée à la terre.**

**Ne pas enlever la broche de liaison à la terre.**

**Ne pas utiliser un adaptateur.**

**Ne pas utiliser un câble de rallonge.**

**Le non-respect de ces instructions peut causer un décès, un incendie ou un choc électrique.**

- Jeter ou recycler tous les matériaux d'emballage.

### **Déplacement de votre cave à vin :**

Votre cave à vin est lourde. Lors du déplacement de la cave à vin pour le nettoyage ou le service, veiller à recouvrir le plancher avec du carton ou un panneau de fibre dur pour éviter qu'il ne subisse tout dommage. Toujours tirer la cave à vin tout droit lors du déplacement. Ne pas incliner la cave à vin d'un côté ou de l'autre ni la "faire marcher" en essayant de la déplacer car le plancher pourrait être endommagé.

### **Nettoyage avant l'utilisation**

Après avoir enlevé tous les matériaux d'emballage, nettoyer l'intérieur de la cave à vin avant de l'utiliser. Voir les instructions de nettoyage dans "Entretien de la cave à vin".

## **Fermeture de la porte**

### **Fermeture de la porte**

La cave à vin dispose de quatre pieds de nivellement. Si la cave à vin semble instable ou si vous désirez que la porte se ferme plus facilement, ajuster l'inclinaison de la cave à vin en observant les instructions ci-dessous.

1. Brancher sur une prise de courant à 3 alvéoles, reliée à la terre.

## **⚠ AVERTISSEMENT**

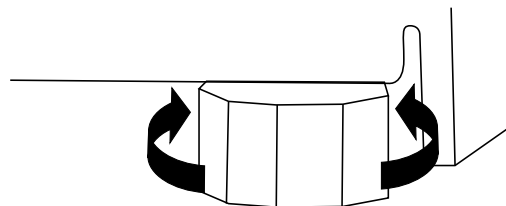
### **Risque du poids excessif**

**Utiliser deux ou plus de personnes pour déplacer et installer la cave à vin.**

**Le non-respect de cette instruction peut causer une blessure au dos ou d'autre blessure.**

2. Déplacer la cave à vin à son emplacement définitif.
3. Tourner les pieds de nivellement vers la droite pour abaisser la cave à vin ou tourner les pieds de nivellement vers la gauche pour la soulever. Il peut être nécessaire de tourner les pieds de nivellement plusieurs fois pour ajuster l'inclinaison de la cave à vin.

**REMARQUE :** Si une autre personne pousse le haut de la cave à vin, le poids devient moins lourd sur les pieds de nivellement, ce qui rend plus facile l'ajustement des pieds de nivellement.



4. Ouvrir la porte et s'assurer qu'elle ferme comme vous le désirez. Sinon, incliner la cave à vin un peu plus vers l'arrière en tournant les deux vis de nivellement avant vers la droite. Plusieurs tours peuvent être nécessaires et il convient de tourner les deux pieds de nivellement de façon égale.

## **UTILISATION DE LA CAVE À VIN**

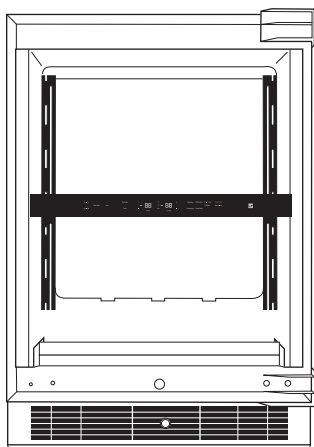
### **Sons normaux**

Il est possible que la cave à vin neuve émette des sons que l'appareil précédent ne produisait pas. Comme ces sons sont nouveaux, ils peuvent vous inquiéter. La plupart de ces nouveaux sons sont normaux. Les sons peuvent vous sembler plus forts avec des surfaces dures telles que le plancher et les structures adjacentes. Les descriptions suivantes indiquent les genres de sons et leur cause possible.

- Votre cave à vin est conçue pour fonctionner plus efficacement afin de conserver le vin aux températures désirées et pour minimiser la consommation d'énergie. Le compresseur et les ventilateurs très efficaces peuvent faire fonctionner votre cave à vin plus longtemps que l'ancienne. Il se peut également que vous entendiez un bruit saccadé ou aigu provenant du compresseur ou des ventilateurs qui s'ajustent pour optimiser la performance.
- Des vibrations sonores peuvent provenir de l'écoulement du réfrigérant ou d'articles placés dans la cave à vin.
- À la fin de chaque programme, vous pouvez entendre un gargouillement attribuable au réfrigérant qui se trouve dans votre cave à vin.
- Vous pouvez entendre l'écoulement de l'eau dans le plateau de récupération lorsque la cave à vin dégivre.
- Vous pouvez entendre des déclics lorsque la cave à vin se met en marche ou s'arrête.

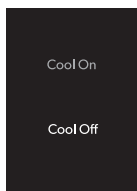
## Utilisation des commandes

Le panneau de contrôle de la cave à vin se trouve sur le séparateur (montant) central de la cave à vin. La commande de la cave à vin ne comporte aucune pièce ou aucun bouton mécanique. Lorsqu'elle est déconnectée, la commande n'affiche rien et peut être difficile à repérer.

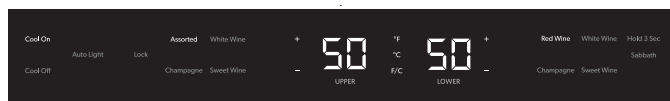


### Mise en marche/arrêt de la commande

- La première fois que la cave à vin est branchée, la commande est réglée en mode Cool Off (refroidissement désactivé). Cool On (refroidissement activé) et Cool Off (refroidissement désactivé) sont les seules options affichées.



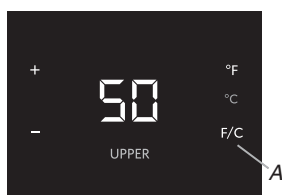
- Appuyer sur COOL ON (refroidissement activé) pendant 3 secondes pour mettre en marche la cave à vin. Tous les menus et les réglages de température recommandés s'affichent.



- Le clavier tactile de température et de pré-réglage gauche commande la température du compartiment supérieur.
- Le clavier tactile de température et de pré-réglage droit commande la température du compartiment inférieur.

### Visualisation de la température en degrés Celsius

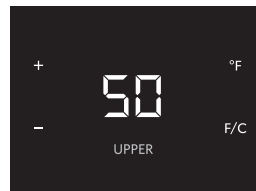
- Appuyer sur la touche tactile F/C pour alterner l'affichage de la température en degrés Fahrenheit ou en degrés Celsius. Le témoin correspondant s'allumera.



A. Touche tactile F/C

## Réglage de la commande

Lorsque l'on met en marche la cave à vin pour la première fois, la température est réglée par défaut sur le réglage recommandé. Il y a deux commandes réglables de la température, une pour chaque compartiment.



- Pour ajuster les réglages de température, appuyer sur la touche "+" (plus) ou "-" (moins) jusqu'à ce que la température désirée soit atteinte.

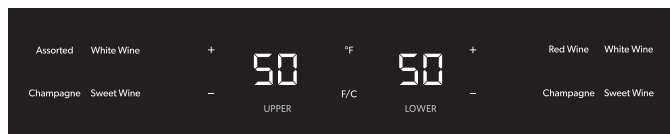
**REMARQUE :** La température réglée pour la cave à vin est de 50°F (10°C) pour le compartiment supérieur et le compartiment inférieur. La gamme de réglage pour le compartiment supérieur varie de 42°F à 54°F (5°C à 12°C) et de 42°F à 64°F (5°C à 17°C) pour le compartiment inférieur.

La commande est réglée correctement lorsque le vin est à la température idéale.

**REMARQUE :** Attendre au moins 24 heures entre les ajustements pour que les produits s'adaptent. Vérifier de nouveau la température avant de procéder à d'autres ajustements.

### Utilisation des pré-réglages

Pour votre commodité, la cave à vin est également équipée de commandes pré-réglées à des températures d'entreposage recommandées pour des vins spécifiques.



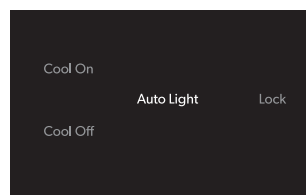
En appuyant sur une option de pré-réglage, la température sera réglée au niveau recommandé pour un vin spécifique :

- Assortiment : 54°F (12°C)
- Champagne : 46° (7°C)
- Vin rouge : 64°F (17°C)
- Vin doux : 42°F (5°C)
- Vin blanc : 50°F (10°C)

### Éclairage automatique

La cave à vin est équipée d'un détecteur qui illumine automatiquement l'intérieur lorsque quelqu'un passe devant. Lorsqu'aucun mouvement n'est plus détecté, la lampe d'intérieur s'éteint au bout de 2 minutes.

- Appuyer sur l'option Auto Light (lampe auto) pour activer cette caractéristique.



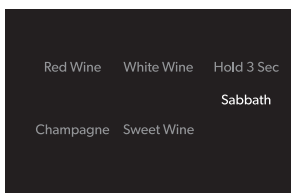
- Lorsque la fonction Auto Light (lampe auto) n'est pas activée, la lampe d'intérieur ne s'allume que lorsque la porte est ouverte.

#### REMARQUES :

- La température de la cave à vin augmente légèrement si la lumière est laissée allumée pendant une période prolongée.
- La lampe est une DEL qui n'a pas besoin d'être remplacée par l'utilisateur. Toutefois, si la DEL ne s'allume pas quand on ouvre la porte, appeler le service de dépannage pour vérifier le problème et remplacer la lampe si nécessaire. Voir "Assistance ou service" pour savoir qui contacter.

### Mode Sabbat

Le mode Sabbat est conçu pour les personnes qui partent en voyage ou pour celles dont les pratiques religieuses requièrent l'extinction des lumières. En sélectionnant cette caractéristique, les points de réglage de température restent inchangés mais les lumières du panneau de commande, les lampes d'intérieur et les signaux sonores du panneau de commande sont désactivés. Pour un fonctionnement plus efficace de la cave à vin, il est recommandé de sortir du mode Sabbat lorsque celui-ci n'est plus nécessaire.



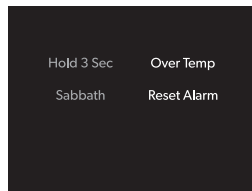
- Appuyer sur SABBATH (Sabbat) pendant 3 secondes pour activer la caractéristique. Après le compte à rebours de 3 secondes, la caractéristique s'active et tous les autres affichages s'éteignent.
- Appuyer sur SABBATH (Sabbat) pendant 3 secondes pour désactiver la caractéristique et activer l'affichage.

### Porte ouverte

Si la porte est laissée ouverte pendant plus de 5 minutes, l'avertisseur retentira toutes les 2 minutes jusqu'à ce que l'on ferme la porte ou que l'on appuie sur n'importe quelle touche.

### Alarme de dépassement de température

La caractéristique de dépassement de la température est conçue pour vous avertir lorsque la température de la cave à vin dépasse 70°F (21°C) pendant plus de 4 heures. L'alarme sonore s'éteint automatiquement lorsque la température revient à la normale. Pour vous avertir d'un dépassement de température, le témoin lumineux continue de clignoter jusqu'à ce que l'on appuie sur la touche Reset Alarm (réinitialisation de l'alarme).

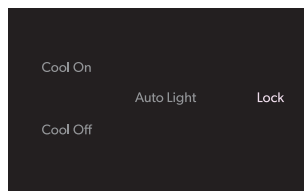


Si le dépassement de température persiste après une réinitialisation de l'alarme de dépassement de température, le témoin lumineux continue de se réactiver toutes les 4 heures jusqu'à ce que la température de la cave à vin descende en-dessous de 70°F (21°C).

**REMARQUE :** Ces caractéristiques ne s'affichent pas sur la commande à moins que la température de la cave à vin dépasse 70°F (21°C) et que l'alarme doit être réinitialisée.

### Mode de verrouillage

Le mode de verrouillage désactive toutes les autres options et empêche de modifier les réglages de température souhaités.



- Pour activer le mode de verrouillage, appuyer sur LOCK (verrouillage) pendant 3 secondes. Après le compte à rebours, tous les autres affichages s'éteignent et deviennent indisponibles sauf Cool On (refroidissement activé), Cool Off (refroidissement désactivé) et Lock (verrouillage).

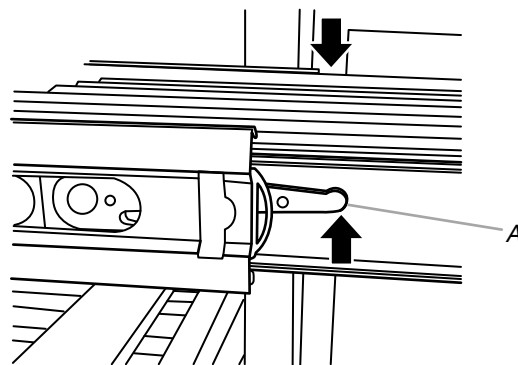
### Mode d'exposition

Ce mode est utilisé uniquement lorsque la cave à vin est en exposition dans le magasin. Si vous activez involontairement le mode d'exposition, "Cool Off" (refroidissement désactivé) s'allume sur l'affichage et les commandes semblent fonctionner. Sortir du mode d'exposition en appuyant simultanément sur COOL ON (refroidissement activé) et SABBATH (Sabbat) pendant 3 secondes.

## Casiers à vin

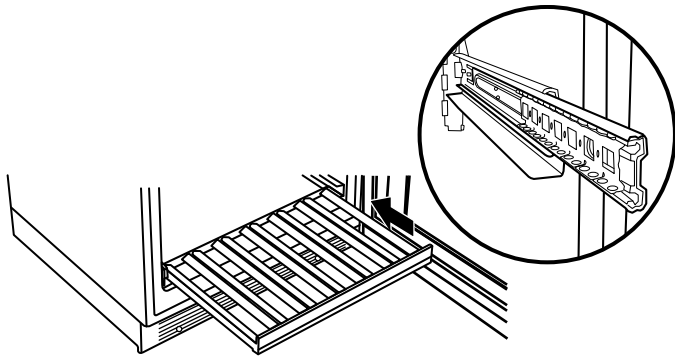
### Enlèvement et réinstallation du casier

1. Tirer le casier vers l'avant jusqu'à la butée.
2. Relever la manette de gauche tout en appuyant sur la manette de droite pour libérer le casier. Tirer le casier vers l'avant et le soulever hors de ses supports.



A. Manette

- Réinstaller le casier en l'insérant dans les supports et en le faisant glisser vers l'arrière de la cave à vin.

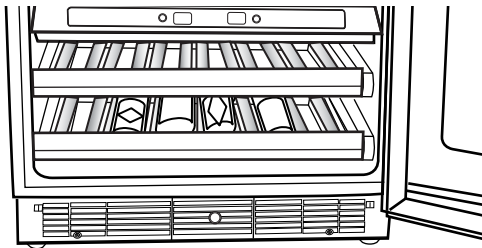


## Stockage dans la cave à vin

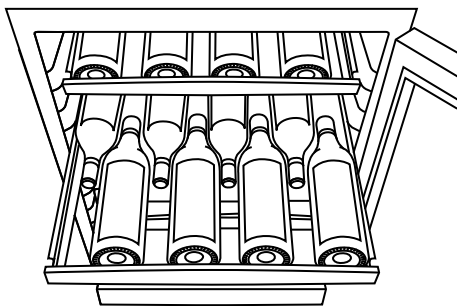
**REMARQUE :** Pour une conservation optimale du vin, placer les vins blancs dans la partie supérieure de la cave à vin, les vins rosés au centre et les vins rouges dans la partie inférieure.

### Stockage dans la cave à vin

- Débuter le stockage dans la cave à vin par le présentoir du bas.
- En commençant par le côté gauche, placer la première bouteille sur le bas du casier, le goulot de la bouteille vers l'avant de la cave à vin.
- Placer la bouteille suivante à côté, le goulot de la bouteille vers l'arrière de la cave à vin. Alternier ainsi l'orientation des bouteilles jusqu'à ce que le casier soit plein.



- Insérer le casier inférieur en le faisant glisser et tirer le casier suivant vers l'extérieur.
- Continuer le stockage des casiers suivants un à un tel que décrit dans les étapes ci-dessus.



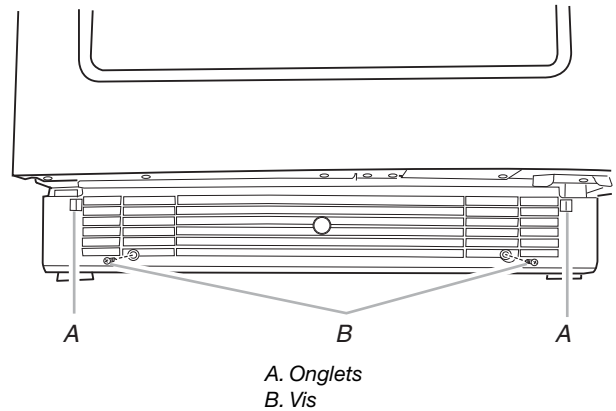
# ENTRETIEN DE LA CAVE À VIN

## Grille de la base

La grille de la base doit être retirée pour pouvoir accéder aux serpentins du condenseur lors du nettoyage.

### Pour enlever la grille de la base :

- Ouvrir la porte de la cave à vin.
- À l'aide d'un tournevis Phillips, ôter les deux vis. Pousser les deux onglets vers le centre pour dégager la grille de la base de la cave à vin.



- Retirer la grille de la base.

### Pour remplacer la grille de la base :

- Ouvrir la porte de la cave à vin.
- Positionner la grille de la base de façon à ce que les onglets soient alignés et que la grille de la base s'emboîte. Réinstaller les deux vis. Serrer les vis.

## Nettoyage

### ⚠ AVERTISSEMENT



#### Risque d'explosion

Utiliser un produit de nettoyage ininflammable.

Le non-respect de cette instruction peut causer un décès, une explosion ou un incendie.

Nettoyer la cave à vin environ une fois par mois pour empêcher une accumulation d'odeurs. Essuyer les renversements immédiatement.

### Pour nettoyer la cave à vin :

- Débrancher la cave à vin ou déconnecter la source de courant électrique.
- Retirer tous les casiers de l'intérieur de la cave à vin.

3. Laver à la main, rincer et sécher les pièces amovibles et les surfaces internes soigneusement. Utiliser une éponge propre ou un linge doux et un détergent doux dans de l'eau tiède.

- Afin d'éviter d'endommager les tiges en bois et les garnitures, les essuyer avec une éponge propre ou un chiffon doux et de l'eau tiède. Ne pas utiliser de détergent ni immerger le casier tout entier dans l'eau lors du nettoyage.
- Ne pas utiliser de nettoyeurs puissants ou abrasifs tels que les nettoyeurs à vitre en atomiseurs, nettoyeurs à récurer, liquides inflammables, cires nettoyantes, détergents concentrés, agents de blanchiment ou nettoyeurs contenant du pétrole sur les pièces en plastique, les garnitures intérieures et garnitures de portes ou sur les joints de portes. Ne pas utiliser d'essuie-tout, tampons à récurer ou autres outils de nettoyage abrasifs. Ces produits risquent d'égratigner ou d'endommager les matériaux.
- Pour aider à éliminer les odeurs, on peut laver les parois intérieures avec un mélange d'eau tiède et de bicarbonate de sodium (2 c. à soupe pour 1 pinte [26 g à 0,95 L] d'eau).

4. Laver les surfaces extérieures en acier inoxydable et surfaces extérieures peintes avec une éponge propre ou un linge doux et un détergent doux dans de l'eau tiède. Ne pas utiliser de produits de nettoyage forts ou abrasifs, ni de nettoyeurs à base de chlore. Ces produits risquent d'égratigner ou d'endommager les matériaux. Sécher soigneusement avec un chiffon doux.

**REMARQUE :** Pour que votre cave à vin en acier inoxydable conserve son aspect neuf et pour enlever les petites égratignures ou marques, il est suggéré d'utiliser le nettoyeur et poli pour acier inoxydable approuvé par le fabricant. Pour commander le nettoyeur, voir "Accessoires".

**IMPORTANT :** Ce nettoyeur doit être utilisé sur les pièces en acier inoxydable uniquement!

Veiller à ce que le nettoyeur et poli pour acier inoxydable n'entre pas en contact avec les pièces de plastique telles que garnitures, couvercles de distributeurs ou joints de porte. En cas de contact non intentionnel, nettoyer la pièce de plastique avec une éponge et un détergent doux dans de l'eau tiède. Sécher soigneusement avec un chiffon doux.

5. Réinstaller les casiers.

6. Nettoyer régulièrement les serpentins du condenseur. Ils sont situés derrière la grille de la base. Il se peut que les serpentins aient besoin d'être nettoyés tous les deux mois. Ce nettoyage peut aider à économiser de l'énergie.

- Retirer la grille de la base. Voir "Grille de la base".
- Utiliser un aspirateur avec un accessoire long pour nettoyer les serpentins du condenseur lorsqu'ils sont sales ou poussiéreux.
- Réinstaller la grille de la base.

7. Brancher la cave à vin ou reconnecter la source de courant électrique.

---

## Précautions à prendre pour les vacances et avant un déménagement

---

### Vacances

---

Si vous choisissez d'arrêter la cave à vin avant de partir, suivre ces étapes.

1. Enlever toutes les bouteilles de la cave à vin.
2. Débrancher la cave à vin.
3. Nettoyer la cave à vin. Voir "Nettoyage".
4. À l'aide de ruban adhésif, placer un bloc de caoutchouc ou de bois dans la partie supérieure de la porte de façon à ce qu'elle soit suffisamment ouverte pour permettre l'entrée de l'air à l'intérieur, afin d'éviter l'accumulation d'odeur ou de moisissure.

---

### Déménagement

---

En cas de déménagement et de déplacement de la cave à vin dans une nouvelle habitation, suivre ces étapes pour préparer le déménagement.

1. Enlever toutes les bouteilles de la cave à vin.
2. Débrancher la cave à vin.
3. Nettoyer, essuyer et sécher soigneusement.
4. Retirer toutes les pièces amovibles, bien les envelopper et les attacher ensemble à l'aide de ruban adhésif pour qu'elles ne bougent pas ni ne s'entrechoquent durant le déménagement.
5. Fermer les portes à l'aide de ruban adhésif et fixer le cordon d'alimentation à la cave à vin à l'aide de ruban adhésif.

Lorsque vous arriverez à votre nouvelle habitation, remettre tout en place et consulter la section "Instructions d'installation" pour les instructions de préparation.



# DÉPANNAGE

Essayer d'abord les solutions suggérées ici afin d'éviter le coût d'une intervention de dépannage inutile.

## La cave à vin ne fonctionne pas

### **AVERTISSEMENT**



#### Risque de choc électrique

Brancher sur une prise à 3 alvéoles reliée à la terre.

Ne pas enlever la broche de liaison à la terre.

Ne pas utiliser un adaptateur.

Ne pas utiliser un câble de rallonge.

Le non-respect de ces instructions peut causer un décès, un incendie ou un choc électrique.

- **Le cordon d'alimentation électrique est-il débranché?** Brancher l'appareil sur une prise à 3 alvéoles reliée à la terre.
- **Un fusible du domicile est-il grillé ou le disjoncteur s'est-il déclenché?** Remplacer le fusible ou réenclencher le disjoncteur.
- **La cave à vin est-elle en mode Cool Off (refroidissement désactivé)?** Voir "Utilisation des commandes".

## Le moteur semble fonctionner excessivement

- **La température ambiante est-elle plus élevée que d'habitude?** Prévoir que le moteur fonctionnera plus longtemps dans des conditions de chaleur. Pour des températures normales, prévoir que le moteur fonctionne à peu près 40 % à 80 % du temps. Dans des conditions plus chaudes, prévoir un fonctionnement encore plus fréquent.
- **La porte est-elle ouverte fréquemment?** Prévoir que le moteur fonctionnera plus longtemps dans ce cas. Pour économiser de l'énergie, essayer de sortir tout ce dont on a besoin de la cave à vin en une fois. Placer les bouteilles de vin avec l'étiquette orientée vers le haut de sorte qu'elles soient faciles à trouver et fermer la porte dès que le vin a été retiré.
- **Le réglage est-il correct pour les conditions existantes?** Voir "Utilisation de la commande".
- **La porte est-elle bien fermée?** Bien fermer la porte. Si elle ne ferme pas complètement, voir "La porte ne ferme pas complètement" plus loin dans cette section.
- **Les serpentins du condenseur sont-ils sales?** Cette situation fait obstruction au transfert de l'air et fait travailler davantage le moteur. Nettoyer les serpentins du condenseur. Voir "Nettoyage".

## La température est trop élevée

- **La porte est-elle ouverte fréquemment?** Prévoir que la cave à vin deviendra tiède dans ce cas. Pour maintenir la cave à vin fraîche, essayer de sortir tout ce dont on a besoin de la cave à vin en une fois. Placer les bouteilles de vin avec l'étiquette orientée vers le haut de sorte qu'elles soient faciles à trouver et fermer la porte dès que le vin a été retiré.
- **Le réglage est-il correct pour les conditions existantes?** Voir "Utilisation des commandes".
- **La grille de la base est-elle obstruée?** Pour le meilleur rendement, ne pas installer la cave à vin derrière une porte d'armoire ni obstruer la grille de la base.

## Il y a accumulation d'humidité à l'intérieur

- **La porte est-elle ouverte fréquemment?** Pour éviter une accumulation d'humidité, essayer de sortir de la cave à vin tout ce dont vous avez besoin en une fois, placer les bouteilles de vin avec l'étiquette orientée vers le haut de sorte qu'elles soient faciles à trouver et fermer la porte dès que le vin a été retiré. Lorsque la porte est ouverte, l'humidité de l'air extérieur pénètre dans la cave à vin. Plus la porte est ouverte, plus l'humidité s'accumule rapidement, surtout lorsque la pièce est très humide.
- **La pièce est-elle humide?** Il est normal que de l'humidité s'accumule à l'intérieur de la cave à vin lorsque l'air est humide.
- **Le réglage est-il correct pour les conditions existantes?** Voir "Utilisation des commandes".

## La porte est difficile à ouvrir

### **AVERTISSEMENT**



#### Risque d'explosion

Utiliser un produit de nettoyage ininflammable.

Le non-respect de cette instruction peut causer un décès, une explosion ou un incendie.

- **Le joint est-il sale ou collant?** Nettoyer le joint et la surface avec laquelle il est en contact. Frotter en appliquant une fine couche de paraffine sur le joint après le nettoyage.

## La porte ne ferme pas complètement

- **Les casiers sont-ils bien en place?** Remettre les casiers en bonne position. Voir "Utilisation du réfrigérateur" pour plus de renseignements.

## **AVERTISSEMENT**



### Risque d'explosion

Utiliser un produit de nettoyage ininflammable.

Le non-respect de cette instruction peut causer un décès, une explosion ou un incendie.

- **Le joint colle-t-il?** Nettoyer le joint et la surface avec laquelle il est en contact. Frotter en appliquant une fine couche de paraffine sur le joint après le nettoyage.

## ASSISTANCE OU SERVICE

Avant de faire un appel pour assistance ou service, veuillez vérifier "Dépannage". Cette vérification peut vous faire économiser le coût d'une visite de service. Si vous avez encore besoin d'aide, suivez les instructions ci-dessous.

Lors d'un appel, veuillez connaître la date d'achat et les numéros de modèle et de série complets de votre appareil. Ces renseignements nous aideront à mieux répondre à votre demande.

### Si vous avez besoin de pièces de rechange

Si vous avez besoin de commander des pièces de rechange, nous vous recommandons d'utiliser seulement les pièces de rechange spécifiées par l'usine. Les pièces de rechange spécifiées par l'usine fonctionneront bien et fonctionneront bien parce qu'elles sont fabriquées selon les mêmes spécifications précises utilisées pour fabriquer chaque nouvel appareil Jenn-Air®.

Pour savoir où trouver des pièces de rechange spécifiées par l'usine dans votre région, nous appeler ou contacter le centre de service désigné le plus proche.

## Aux États-Unis

Téléphoner au Customer eXperience Center (Centre pour l'eXpérience de la clientèle) de Jenn-Air sans frais : **1-800-JENNAIR (1-800-536-6247)**.

### Nos consultants fournissent de l'assistance pour :

- Caractéristiques et spécifications de notre gamme complète d'appareils ménagers.
- Renseignements d'installation.
- Procédés d'utilisation et d'entretien.
- Vente d'accessoires et de pièces de rechange.
- Assistance spécialisée au client (langue espagnole, malentendants, malvoyants, etc.).
- Références aux concessionnaires, compagnies de service de réparation et distributeurs de pièces de rechange locaux. Les techniciens de service désignés par Jenn-Air sont formés pour remplir la garantie des produits et fournir un service après garantie partout aux États-Unis.

Pour localiser la compagnie de service désignée par Jenn-Air dans votre région, vous pouvez également consulter les Pages jaunes.

### Pour plus d'assistance

Si vous avez besoin de plus d'assistance, vous pouvez écrire à Jenn-Air en soumettant toute question ou problème à :

Jenn-Air Brand Home Appliances  
Customer eXperience Center  
553 Benson Road  
Benton Harbor, MI 49022-2692

Dans votre correspondance, veuillez indiquer un numéro de téléphone où l'on peut vous joindre dans la journée.

## Au Canada

Téléphoner sans frais au Customer eXperience Center (Centre pour l'eXpérience de la clientèle) de Jenn-Air Canada au : **1-800-JENNAIR (1-800-536-6247)**.

### Nos consultants fournissent de l'assistance pour :

- Caractéristiques et spécifications de notre gamme complète d'appareils ménagers.
- Procédés d'utilisation et d'entretien.
- Vente d'accessoires et de pièces de rechange.
- Références aux concessionnaires, compagnies de service de réparation et distributeurs de pièces de rechange locaux. Les techniciens de service désignés par Jenn-Air Canada sont formés pour remplir la garantie des produits et fournir un service après la garantie, partout au Canada.

### Pour plus d'assistance

Si vous avez besoin de plus d'assistance, vous pouvez écrire à Jenn-Air Canada en soumettant toute question ou problème à :

Jenn-Air Canada  
Customer eXperience Center  
200 – 6750 Century Ave.  
Mississauga, Ontario L5N 0B7

Dans votre correspondance, veuillez indiquer un numéro de téléphone où l'on peut vous joindre dans la journée.

# GARANTIE LIMITÉE DES APPAREILS DE RÉFRIGÉRATION JENN-AIR®

ATTACHEZ ICI VOTRE REÇU DE VENTE. UNE PREUVE D'ACHAT EST OBLIGATOIRE POUR OBTENIR L'APPLICATION DE LA GARANTIE.

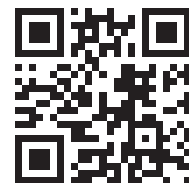
Lorsque vous appelez le centre d'eXpérience de la clientèle, veuillez garder à disposition les renseignements suivants :

- Nom, adresse et numéro de téléphone
- Numéros de modèle et de série
- Une description claire et détaillée du problème rencontré
- Une preuve d'achat incluant le nom et l'adresse du marchand ou du détaillant

## SI VOUS AVEZ BESOIN DE SERVICE :

1. Avant de nous contacter pour obtenir un dépannage, veuillez déterminer si des réparations sont nécessaires pour votre produit. Certains problèmes peuvent être résolus sans intervention de dépannage. Prenez quelques minutes pour parcourir la section Dépannage ou Résolution de problèmes du guide d'utilisation et d'entretien, scannez le code QR ci-contre avec votre téléphone intelligent pour accéder à des ressources supplémentaires, ou rendez-vous sur le site <http://www.jennair.ca>.
2. Tout service sous garantie doit être effectué exclusivement par nos fournisseurs de dépannage autorisés Jenn-Air. Aux E.-U. et au Canada, dirigez toutes vos demandes de service sous garantie au

**Centre d'eXpérience de la clientèle Jenn-Air**  
**1-800-JENNAIR (1-800-536-6247)**



<http://www.jennair.ca>

Si vous résidez à l'extérieur du Canada et des 50 États des États-Unis, contactez votre marchand Jenn-Air autorisé pour déterminer si une autre garantie s'applique.

## GARANTIE LIMITÉE DE CINQ ANS

### CE QUI EST COUVERT

#### GARANTIE LIMITÉE DE DEUX ANS

Pendant deux ans à compter de la date d'achat, lorsque ce gros appareil ménager est installé, utilisé et entretenu conformément aux instructions jointes à ou fournies avec le produit, la marque Jenn-Air de Whirlpool Corporation ou Whirlpool Canada LP (ci-après désignées "Jenn-Air") décidera à sa seule discrétion de remplacer le produit ou de couvrir le coût des pièces de remplacement spécifiées par l'usine et de la main-d'œuvre nécessaires pour corriger les vices de matériaux ou de fabrication qui existaient déjà lorsque ce gros appareil ménager a été acheté. S'il est remplacé, votre appareil restera sous garantie pour la durée restant à courir de la période de garantie sur le produit d'origine.

#### GARANTIE LIMITÉE DE LA TROISIÈME À LA CINQUIÈME ANNÉE INCLUSIVEMENT SUR LA DOUBLURE DE LA CAVITÉ ET SUR LE SYSTÈME DE RÉFRIGÉRATION SCÉLLÉ

De la troisième à la cinquième année inclusivement à compter de la date d'achat initiale, lorsque ce gros appareil ménager est installé, utilisé et entretenu conformément aux instructions jointes au produit ou fournies avec, la marque Jenn-Air paiera pour les pièces de rechange spécifiées par l'usine et la main-d'œuvre concernant les composants suivants pour corriger les défauts non esthétiques de matériau ou de fabrication de ladite pièce qui empêchent le réfrigérateur de fonctionner et qui étaient déjà présents lorsque ce gros appareil ménager a été acheté :

- Doublure de la cavité du réfrigérateur/congélateur si la pièce se fissure en raison d'un vice de matériau ou de fabrication.
- Système de réfrigération scellé (y compris le compresseur, l'évaporateur, le condenseur, le séchoir et les conduits de connexion).

LE SEUL ET EXCLUSIF RECOURS DU CLIENT DANS LE CADRE DE LA PRÉSENTE GARANTIE LIMITÉE CONSISTE EN LA RÉPARATION PRÉVUE PAR LA PRÉSENTE. Le service doit être fourni par une compagnie de service désignée par Jenn-Air. Cette garantie limitée est valide uniquement aux États-Unis ou au Canada et s'applique exclusivement lorsque le gros appareil ménager est utilisé dans le pays où il a été acheté. La présente garantie limitée est valable à compter de la date d'achat initial par le consommateur. Une preuve de la date d'achat initial est exigée pour obtenir un dépannage dans le cadre de la présente garantie limitée.

### CE QUI N'EST PAS COUVERT

1. Usage commercial, non résidentiel ou par plusieurs familles, ou non-respect des instructions de l'utilisateur, de l'opérateur ou des instructions d'installation.
2. Visite d'instruction à domicile pour montrer à l'utilisateur comment utiliser l'appareil.
3. Visites de service pour rectifier une installation ou un entretien fautifs du produit, une installation non conforme aux codes d'électricité ou de plomberie, ou la rectification de l'installation électrique ou de la plomberie du domicile (ex : câblage électrique, fusibles ou tuyaux d'arrivée d'eau du domicile).
4. Pièces consommables (ex : ampoules, batteries, filtres à air ou à eau, solutions de conservation, etc.).
5. Défauts ou dommage résultant de l'utilisation de pièces ou accessoires Jenn-Air non authentiques.
6. Dommages causés par : accident, mésusage, abus, incendie, inondations, catastrophe naturelle ou l'utilisation de produits non approuvés par Jenn-Air.
7. Réparations aux pièces ou systèmes dans le but de rectifier un dommage ou des défauts résultant d'une réparation, altération ou modification non autorisée faite à l'appareil.
8. Défauts d'apparence, notamment les éraflures, traces de choc, fissures ou tout autre dommage subi par le fini de l'appareil ménager, à moins que ces dommages ne résultent de vices de matériaux ou de fabrication et ne soient signalés à Jenn-Air dans les 30 jours suivant la date d'achat.
9. Décoloration, rouille ou oxydation des surfaces résultant d'environnements caustiques ou corrosifs incluant des concentrations élevées de sel, un haut degré d'humidité ou une exposition à des produits chimiques (exemples non exhaustifs).
10. Perte d'aliments ou de médicaments due à la défaillance du produit.
11. Enlèvement ou livraison. Ce produit est conçu pour être réparé à l'intérieur du domicile.
12. Frais de déplacement et de transport pour le dépannage/la réparation dans une région éloignée où une compagnie de service Jenn-Air autorisée n'est pas disponible.
13. Retrait ou réinstallation d'appareils inaccessibles ou de dispositifs préinstallés (ex : garnitures, panneaux décoratifs, plancher, meubles, îlots de cuisine, plans de travail, panneaux de gypse, etc.) qui entravent le dépannage, le retrait ou le remplacement du produit.
14. Service et pièces pour des appareils dont les numéros de série et de modèle originaux ont été enlevés, modifiés ou ne peuvent pas être facilement identifiés.

**Le coût d'une réparation ou d'un remplacement dans le cadre de ces circonstances exclues est à la charge du client.**

---

**CLAUSE D'EXONÉRATION DE RESPONSABILITÉ AU TITRE DES GARANTIES IMPLICITES**

LES GARANTIES IMPLICITES, Y COMPRIS LES GARANTIES APPLICABLES DE QUALITÉ MARCHANDE OU D'APTITUDE À UN USAGE PARTICULIER, SONT LIMITÉES À UN AN OU À LA PLUS COURTE PÉRIODE AUTORISÉE PAR LA LOI. Certains États et provinces ne permettent pas de limitation sur la durée des garanties implicites de qualité marchande ou d'aptitude à un usage particulier, de sorte que la limitation ci-dessus peut ne pas être applicable dans votre cas. Cette garantie vous confère des droits juridiques spécifiques et vous pouvez également jouir d'autres droits qui peuvent varier d'une juridiction à l'autre.

---

**EXONÉRATION DE RESPONSABILITÉ DANS LES DOMAINES NON COUVERTS PAR LA GARANTIE**

Jenn-Air décline toute responsabilité au titre de la qualité, de la durabilité ou en cas de dépannage ou de réparation nécessaire sur ce gros appareil ménager autre que les responsabilités énoncées dans la présente garantie. Si vous souhaitez une garantie plus étendue ou plus complète que la garantie limitée fournie avec ce gros appareil ménager, adressez-vous à Jenn-Air ou à votre détaillant pour obtenir les modalités d'achat d'une garantie étendue.

---

**LIMITATION DES RECOURS; EXCLUSION DES DOMMAGES FORTUITS OU INDIRECTS**

LE SEUL ET EXCLUSIF RECOURS DU CLIENT DANS LE CADRE DE LA PRÉSENTE GARANTIE LIMITÉE CONSISTE EN LA RÉPARATION PRÉVUE PAR LA PRÉSENTE. JENN-AIR N'ASSUME AUCUNE RESPONSABILITÉ POUR LES DOMMAGES FORTUITS OU INDIRECTS. Certains États et certaines provinces ne permettent pas l'exclusion ou la limitation des dommages fortuits ou indirects de sorte que ces limitations et exclusions peuvent ne pas être applicables dans votre cas. Cette garantie vous confère des droits juridiques spécifiques et vous pouvez également jouir d'autres droits qui peuvent varier d'une juridiction à l'autre.

---

12/14