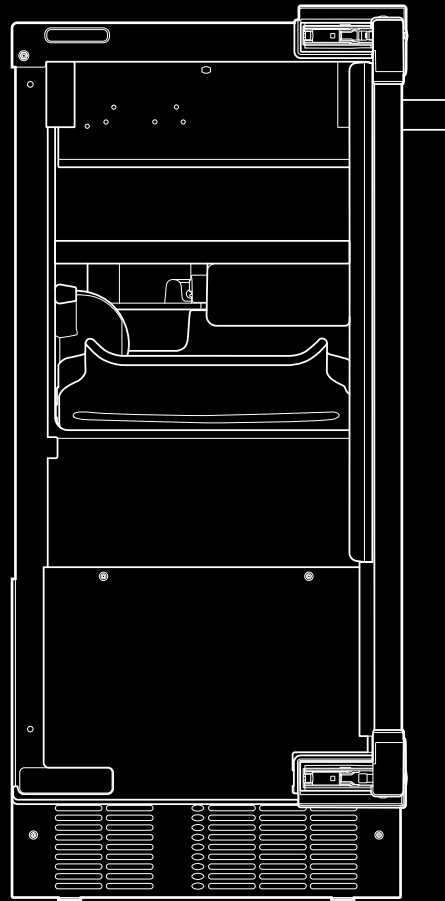


INSTALLATION GUIDE
BUILT-IN UNDERCOUNTER ICE MAKER
GUIDE D'INSTALLATION
MACHINE À GLAÇONS ENCASTRÉE SOUS LE COMPTOIR





INTRODUCTION

SAFETY

Your safety and the safety of others are very important.

We have provided many important safety messages in this manual and on your appliance. Always read and obey all safety messages.



This is the safety alert symbol.

This symbol alerts you to potential hazards that can kill or hurt you and others.

All safety messages will follow the safety alert symbol and either the word “DANGER” or “WARNING.”

These words mean:

⚠ DANGER

You can be killed or seriously injured if you don't immediately follow instructions.

⚠ WARNING

You can be killed or seriously injured if you don't follow instructions.

All safety messages will tell you what the potential hazard is, tell you how to reduce the chance of injury, and tell you what can happen if the instructions are not followed.

IMPORTANT SAFETY INSTRUCTIONS

WARNING: To reduce the risk of fire, electric shock, or injury when using your refrigerator, follow these basic precautions:

- Plug into a grounded 3 prong outlet.
- Do not remove ground prong.
- Do not use an adapter.
- Do not use an extension cord.
- Do not store explosive substances such as aerosol cans with a flammable propellant in this appliance.
- Disconnect power before cleaning.
- Disconnect power before servicing.
- Replace all parts and panels before operating.
- Connect to potable water supply only.
- If the supply cord is damaged, it must be replaced by the manufacturer, its service agent, or similarly qualified person in order to avoid a hazard.
- This appliance is not intended for use by persons (including children) with reduced physical, sensory, or mental capabilities, or lack of experience and knowledge, unless they have been given supervision or instruction concerning use of the appliance by a person responsible for their safety.
- Use two or more people to move and install ice maker.
- Children should be supervised to ensure that they do not play with the appliance.
- This appliance is intended to be used in household and similar applications such as:
 - staff kitchen areas in shops, offices, and other working environments;
 - farmhouses and by clients in hotels, motels, and other residential-type environments;
 - bed and breakfast-type environments;
 - catering and similar non-retail applications.

SAVE THESE INSTRUCTIONS

INTRODUCTION

REGISTERING YOUR APPLIANCE

Gain access to our concierge-level customer support by registering your appliance. We make product registration simple and straightforward so that you can start using your exclusive JennAir benefits today.

Registering your appliance allows you to:

- **Streamline your warranty service**
If we have your product information, we can help you faster.
- **Protect your purchase**
In case of an insurance loss— such as fire, flood, or theft— your product registration could serve as a proof of purchase.
- **Keep your family safe**
We'll notify you in the rare case of a safety notification.

Start taking advantage of these benefits today by going online to register your product at jennair.com/customer-care.

PRODUCT IDENTIFICATION

Your product identification, which includes the model and serial number, is listed on the product rating plate.

Recording this information below allows us to more easily assist you if your product should ever require service from one of our Whirlpool Authorized Service Providers.

Model Number: _____

Serial Number: _____

Date of Installation: _____

Authorized Dealer: _____

Authorized Dealer Phone #: _____

TABLE OF CONTENTS

INTRODUCTION

Safety.....	3
Registering Your Appliance.....	4
Product Identification.....	4

GETTING STARTED

Before installation.....	5
Tools Required.....	5
Parts Provided.....	5
Vacation or Extended Time Without Use.....	6
Unpack the Ice Maker.....	6
Optional Personalizations.....	6

SITE PREPARATION

Product and Opening Dimensions.....	7
Location Requirements.....	8
Electrical Requirements.....	9
Water Supply Requirements.....	10
Drain Supply Requirements.....	11
Gravity Drain System.....	11
Drain Pump System.....	11

DOOR REVERSAL

Removing Hinge Covers.....	12
Removing the Hinges.....	14
Preparing the Bottom Hinges.....	18
Reversing the Hinges.....	20

INSTALLATION

Installing the Drain Pump - Site Preparation.....	22
If Ice Maker is Currently Installed.....	22
Installing the Drain Pump and Drain Hose.....	24
Connecting the Water supply.....	28
Leveling and Securing.....	30
Custom Wood Door Panel.....	34
Connecting the Drain.....	36
Installing Auxiliary Grill.....	38

APPENDIX

Accessories.....	40
------------------	----

TABLE DES MATIÈRES.....44

GETTING STARTED

BEFORE INSTALLATION

Gather the required tools and parts before starting installation. Read and follow the instructions provided with any tools listed.

IMPORTANT: These instructions are intended as a general guide only and do not supersede any national or local codes in any way. Compliance with all local, state, or national codes pertaining to this type of installation should be determined prior to installation.

Installer: Please be sure to leave Installation Instructions with the homeowner.

Homeowner: Keep the Installation Instructions for future reference.

TOOLS REQUIRED

Gather the required tools before starting installation.

TOOLS REQUIRED

- Drill and drill bits
- Phillips screwdriver
- Pencil
- Masking tape
- Two adjustable wrenches
- Level
- Wood screws
- 2" Hole saw or 2" Forstner bit
- 3/16" hex driver
- 1/4" nut driver
- Pliers
- Right angle drivers
- TORX T20, T25[†] screwdriver
- Tape measure

PARTS PROVIDED

- Cabinet brackets
- Drain hose and clamp (in hose bag) - on some models only
- #8 x 1/2" pan head wood screws (14)
- Double sided adhesive tape (for custom door panel)
- Auxiliary grill kit

[†]Torx, T20 and T25 are trademarks of Acument Intellectual Properties, LLC.

GETTING STARTED

VACATION OR EXTENDED TIME WITHOUT USE

When you will not be using the ice maker for an extended period of time, turn off the water and power supply to the ice maker.

Check that the water supply lines are insulated against freezing conditions. Ice formations in the supply lines can increase water pressure and cause damage to your ice maker or home. Damage from freezing is not covered by the warranty.

UNPACK THE ICE MAKER

WARNING

Excessive Weight Hazard

Use two or more people to move and install ice maker.

Failure to do so can result in back or other injury.

REMOVING PACKAGING MATERIALS

Uncrate the ice maker. Remove tape and glue from your ice maker before using.

- To remove any remaining tape or glue from the exterior of the ice maker, rub the area briskly with your thumb. Tape or glue residue can also be easily removed by rubbing a small amount of liquid dish soap over the adhesive with your fingers. Wipe with warm water and dry.
- Do not use sharp instruments, rubbing alcohol, flammable fluids, or abrasive cleaners to remove tape or glue. Do not use chlorine bleach on the stainless steel surfaces of the ice maker. These products can damage the surface of your ice maker.

CLEANING BEFORE USE

After you remove all of the packaging materials, clean the inside of your ice maker before using it. For instructions on how to clean the ice maker, refer to the cleaning instructions in the "Ice Maker Care" section of Use and Care Guide.

OPTIONAL PERSONALIZATIONS

REVERSING THE DOOR

For instructions on how to reverse the door, refer to the "Door Reversal" section.

CUSTOM PANEL INSTALLATION

For instructions on how to install a custom door panel, refer to the "Custom Wood Door Panel" section.

If you plan to install a custom overlay panel, you will need to make the panel yourself or consult a qualified cabinetmaker or carpenter.

IMPORTANT:

- The thickness of the overlay panel must be 3/4" (1.91 cm).
- Overlay panel must not weigh more than 8 lbs (3.62 kg).
- Overlay panels weighing more than recommended may cause damage to your ice maker.
- Countersink all the handle mounting hardware.
- Match wood grain direction with that of adjacent cabinets.
- Sand panel edges to provide a smooth finish.
- Use moisture sealer on both sides and all edges of the panel to avoid damage from moisture.

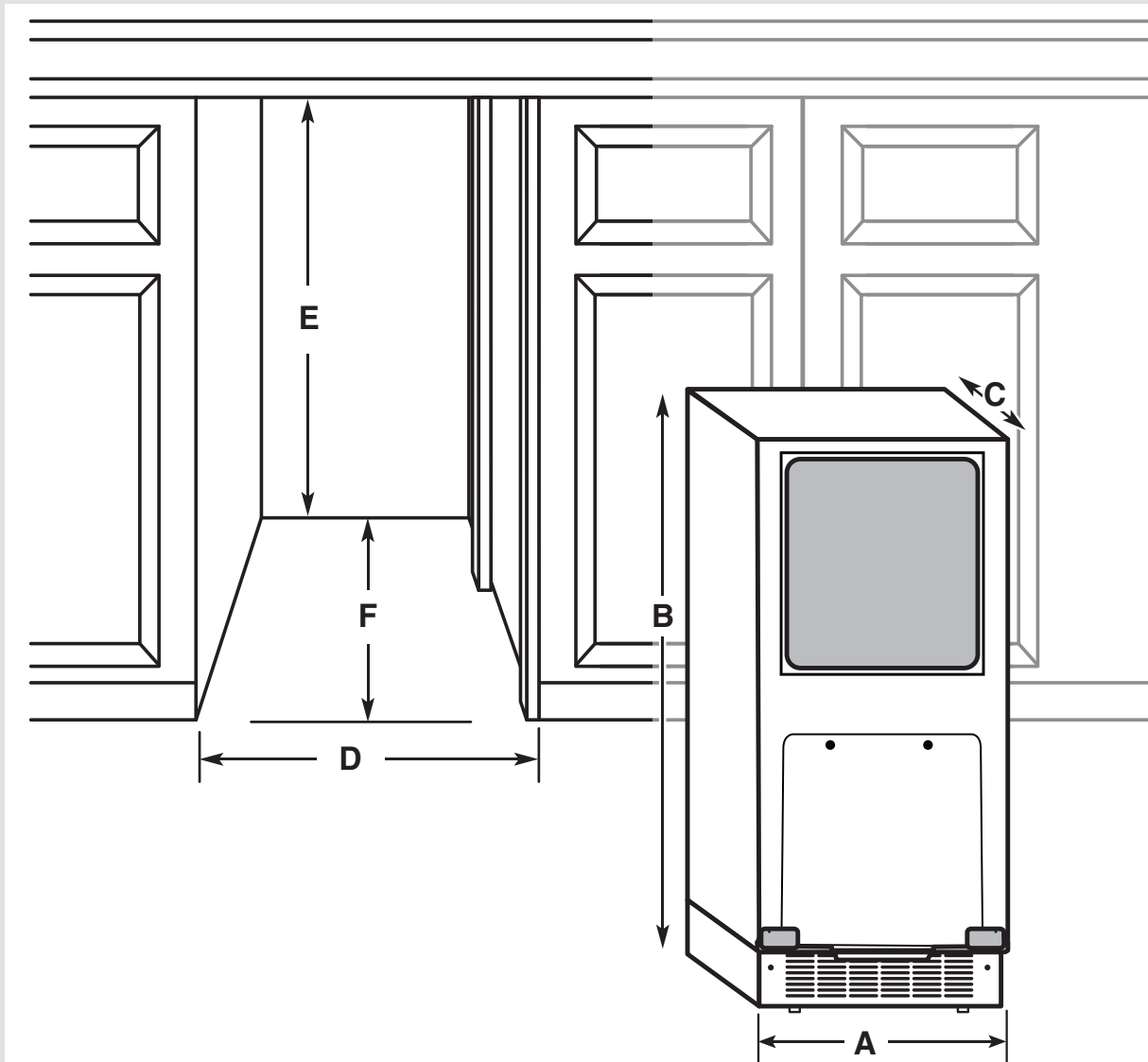
PARTS NEEDED:

- Instructions, #8 x 1/2" pan head wood screws (14)
- Handle Kit (optional)

STAINLESS STEEL PANEL INSTALLATION

For instructions on how to install the Stainless Steel Panel, refer to the instructions received with the Stainless Steel Panel kit.

SITE PREPARATION

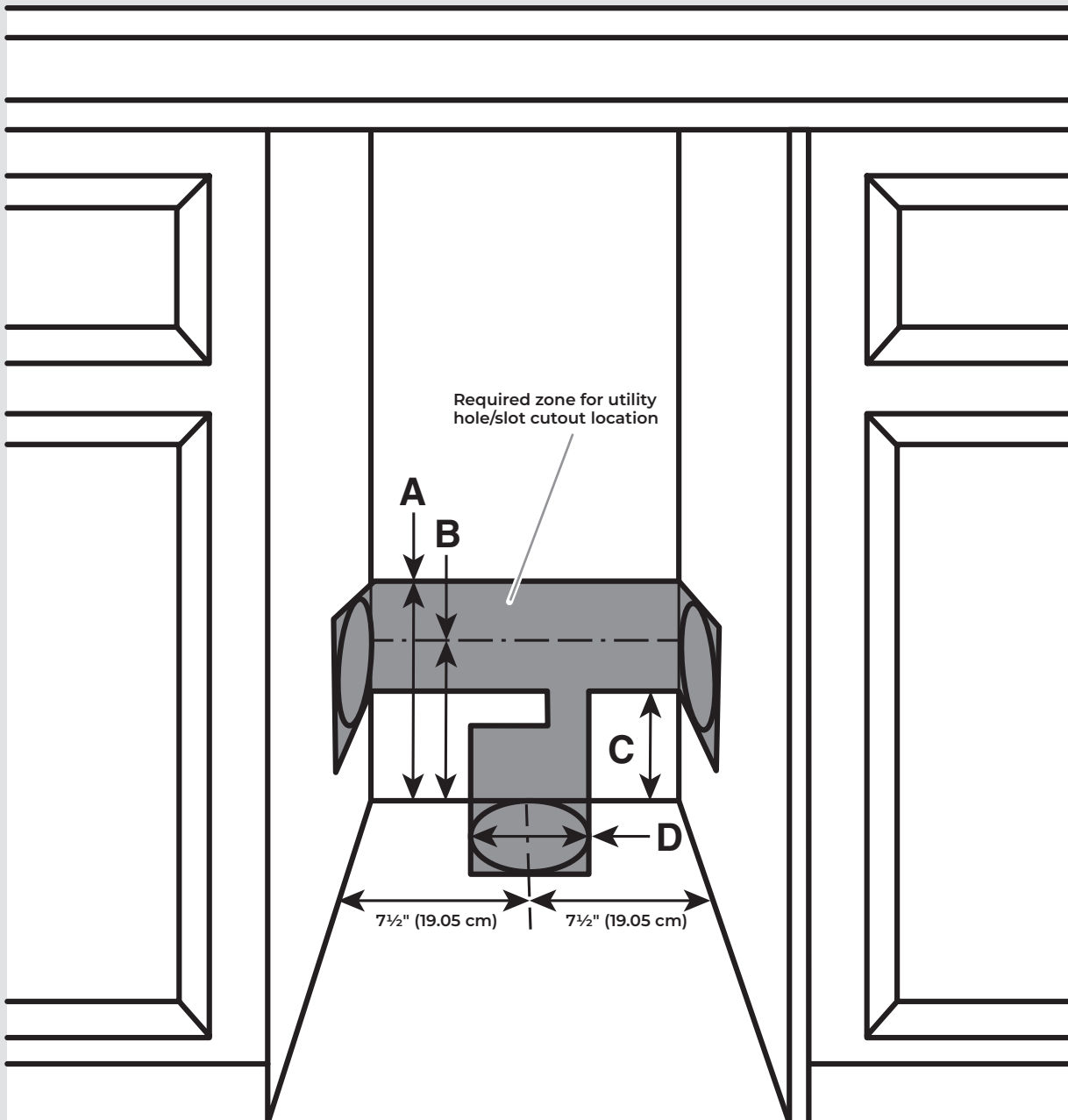


PRODUCT AND OPENING DIMENSIONS

Product Dimensions		
Product width	A	14 ⁷ / ₈ " (37.8 cm)
Product height	B	33 ³ / ₄ " (85.7 cm)
Product depth (no door)	C	22 ¹ / ₁₆ " (56.1 cm)

Opening Dimensions		
Opening width	D	15" (38.1 cm)
Opening height	E	34" min (86.4 cm) 34 ¹ / ₂ " max (87.6 cm)
Opening depth	F	24" (60.96 cm)

SITE PREPARATION



LOCATION REQUIREMENTS

Installation must comply with all governing codes and ordinances.

TEMPERATURE

It is recommended that you install the ice maker in a well-ventilated area with temperatures above 55°F (13°C) and below 110°F (43°C). Best results are obtained between 70°F and 90°F (21°C and 32°C).

LOCATION

The ice maker must be installed in an area sheltered from the elements, such as wind, rain, or water spray.

To ensure proper ventilation for your ice maker, the front side must be completely unobstructed. The ice maker may be closed in on the top and three sides, however the installation should allow the ice maker to be pulled forward for servicing if necessary.

The auxiliary grill kit provided can be used to align the toe grill with the rest of the cabinets while not obstructing ventilation of the ice maker.

Floor must be able to support the ice maker's total weight, of more than 106 lbs (48.08 kg), including door panels and contents of the ice maker. It is important for the ice maker to be level in order to work properly. If needed, you can adjust the height of the ice maker by changing the height of the leveling legs.

Check that the power supply cord, water supply line, and drain line (on some models) are not damaged, pinched, or kinked between the ice maker and the cabinet.

SITE PREPARATION


IMPORTANT:

- This ice maker has been designed for flush install in instances where the power supply, water supply, and drain are located in a cabinetry.
- For installation of product with utilities behind the ice maker, flush install may not be achieved.
- Refer “Location Requirement” illustration and table below for utility slot/hole cutout location.

Utility Slot/Cutout Location Zone		
Dimension	A	9" (22.9 cm)
	B	8" (20.3 cm)
	C	7" (17.8 cm)
Diameter of the hole	D	2" (5 cm)

ELECTRICAL REQUIREMENTS

⚠ WARNING



Electrical Shock Hazard

Plug into a grounded 3 prong outlet.

Do not remove ground prong.

Do not use an adapter.

Do not use an extension cord.

Failure to follow these instructions can result in death, fire, or electrical shock.

Electrical Requirements	
Power Supply	115 V, 60Hz, AC only
Circuit Breaker	15 to 20 A, fused
Receptacle	3 prong grounding-type
Outlet	Non-GFCI

IMPORTANT:

- Use an outlet that cannot be turned off by a switch. Do not use an extension cord.
- It is recommended that this product not be connected to a GFCI (Ground Fault Circuit Interrupter) protected outlet, as nuisance tripping of the power supply may occur.
- The ice maker must be grounded. The ice maker is equipped with a power supply cord having a grounded 3 prong plug. The cord must be plugged into a mating, grounded, 3 prong wall receptacle, grounded in accordance with the National Electrical Code and local codes and ordinances. If a mating wall receptacle is not available, it is the personal responsibility of the customer to have a properly grounded 3 prong wall receptacle installed by a qualified electrician.

SITE PREPARATION

WATER SUPPLY REQUIREMENTS

Before connecting the ice maker, ensure that the water supply lines are insulated against freezing conditions. Ice formations in the supply lines can increase water pressure and damage the ice maker or home. Damage from frozen supply lines is not covered by the warranty.

Use new hoses supplied with the product. Do not reuse old hoses.

Water Supply Requirements	
Water Pressure	30-120 psi (207-827 kPa)
Excess Water Line for Connection	30" (76.2 cm)
Water Inlet Supply	1/4" (6.35 mm) OD soft copper tubing
Drain Pump	With shut-off valve

IMPORTANT:

- Connect to potable water supply only.
- A reverse osmosis water filtration system is not recommended for ice makers that have a drain pump installed. Reverse osmosis water filtration systems should be used for gravity drain systems only.
- Connect the ice maker drain to your drain in accordance with the International Plumbing Code and any local codes and ordinance.
- To achieve a flush installation, the water shutoff valve should not be installed in the wall behind the refrigerator, but in another easily accessible location.
- The drain pump discharge line must terminate at an open-site drain.
- Maximum rise 10 ft (3.1 m)
- Maximum run 100 ft (30.5 m)

NOTE: If the drain hose becomes twisted and water cannot drain, your ice maker will not work.

REVERSE OSMOSIS WATER SUPPLY

A reverse osmosis system may be used if the water pressure from the filtration system meets the required water pressure requirements.

If a reverse osmosis system is desired, only a whole-house capacity reverse osmosis system, capable of maintaining the steady water supply required by the ice maker, is recommended. Faucet capacity reverse osmosis systems are not able to maintain the steady water supply required by the ice maker.

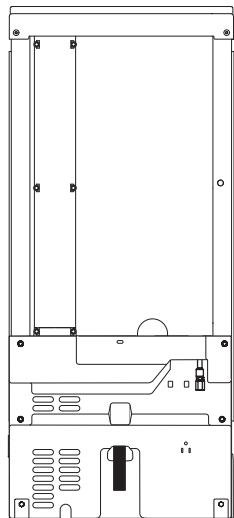
SITE PREPARATION

DRAIN SUPPLY REQUIREMENTS

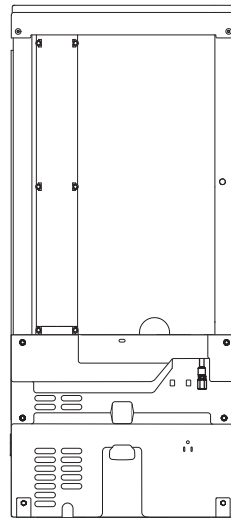
Connect the ice maker drain to your drain in accordance with all state and local codes and ordinances. Follow these guidelines when installing drain lines. This will help avoid water from flowing back into the ice maker storage bin. Water flowing back into the ice maker can potentially flow onto the floor and cause water damage.

Drain Requirements	
Inside Diameter	minimum 5/8" (15.88 mm)
Drain Lines	Drain lines must have a 1" drop per 48" of run (2.54 cm drop per 122 cm of run) or 1/4" drop per 12" of run (6.35 mm drop per 30.48 cm of run)

Do not connect the outlet end of the drain tube to a closed pipe system to avoid drain water from backing up into the ice maker.



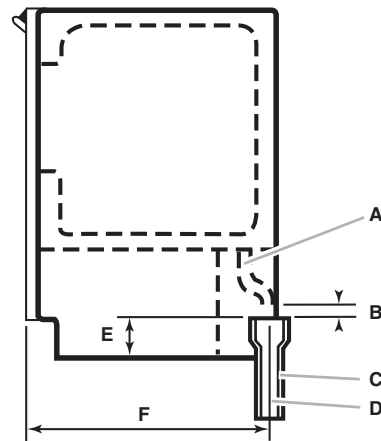
Gravity drain model



Drain pump model

GRAVITY DRAIN SYSTEM

The ideal installation has a standpipe with a 1½" (3.81 cm) to 2" (5.08 cm) PVC drain reducer installed directly below the outlet of the drain tube as shown. You must maintain a 1" (2.54 cm) air gap between the drain hose and the standpipe.



Gravity Drain System Dimensions		
Drain Hose	A	
Air Gap	B	1" (2.54 cm)
PVC Drain Reducer	C	2" to 1½" (5 cm - 3.8 cm)
Center of Drain	D	23" (58.4 cm) from front of door, with or without ¾" (1.9 cm) panel on the door, centered left to right (7⅝" [18.56 cm]) from either side of the ice maker.
Bottom of Ice Maker to top of PVC Drain Reducer	E	1⅞" (4.8 cm)
Depth to center of PVC Drain Reducer	F	23" (58.4 cm)

DRAIN PUMP SYSTEM

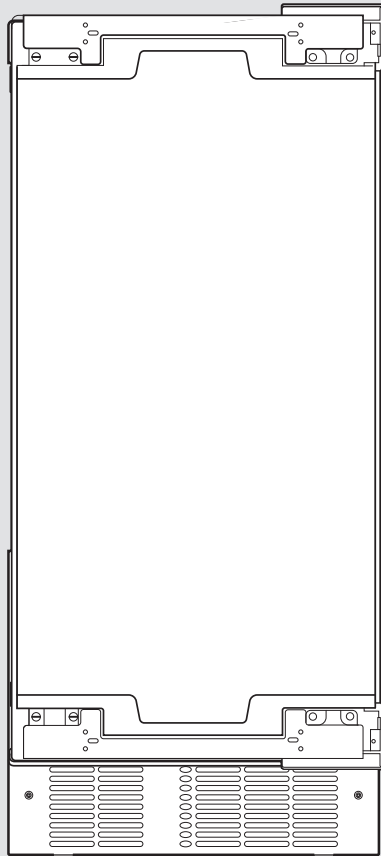
Drain pump maximum capability: For every 1 ft (0.31 m) of rise, subtract 10 ft (3.1 m) of maximum allowable run.

IMPORTANT: A drain pump is necessary when a floor drain is not available. A Drain Pump kit, Part Number 1901A, is available for purchase at jennair.com/accessories/details/1901A.

NOTE: It may be desirable to insulate the drain line thoroughly up to the drain inlet. An Insulation Sleeve kit, Part Number W10365792, is available for purchase at jennair.com/accessories/details/W10365792.

DOOR REVERSAL

REMOVING HINGE COVERS



! If door reversal is not needed, skip “Door Reversal” section.

⚠ WARNING

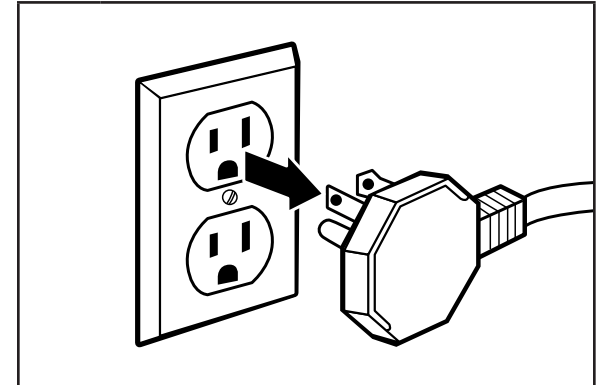


Electrical Shock Hazard

Disconnect power before servicing.

Replace all parts and panels before operating.

Failure to do so can result in death or electrical shock.



1 Unplug the ice maker or disconnect power.

DOOR REVERSAL

⚠ WARNING

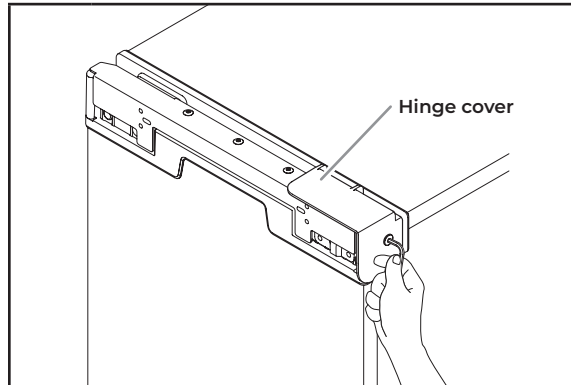


Crush Hazard

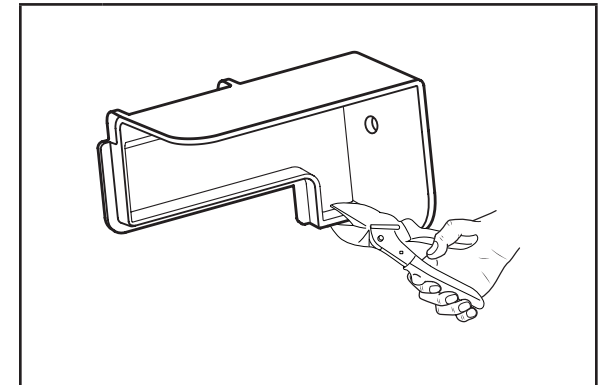
Articulated hinges are self closing and many pinch points exist prior to cabinet installation.

Do not remove hinge covers until product is ready to be installed.

Failure to follow these instructions can result in crush, cut, or pinch injuries.



2 Remove the screws attaching top and bottom hinge covers using an $3/16$ " hex driver.

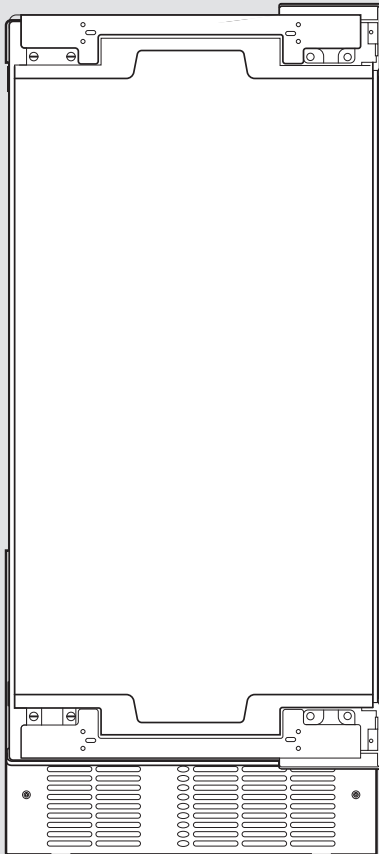


3 Using pliers, remove the hinge covers from the top and bottom hinges.

NOTE: Save the hinge covers for future use. Reinstall the hinge covers if product is removed from cabinet installation.

DOOR REVERSAL

REMOVING THE HINGES

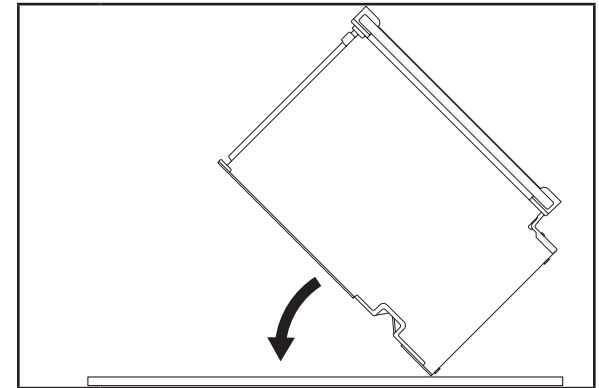


⚠ WARNING

Excessive Weight Hazard

Use two or more people to move and install ice maker.

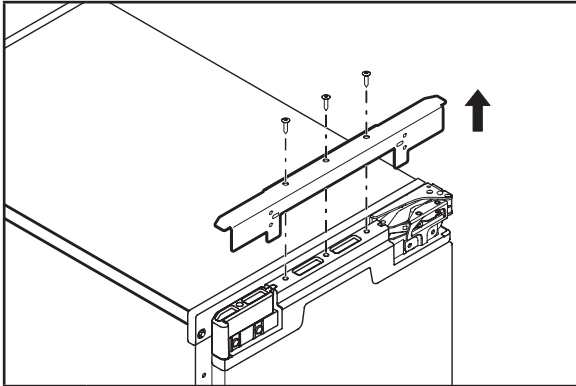
Failure to do so can result in back or other injury.



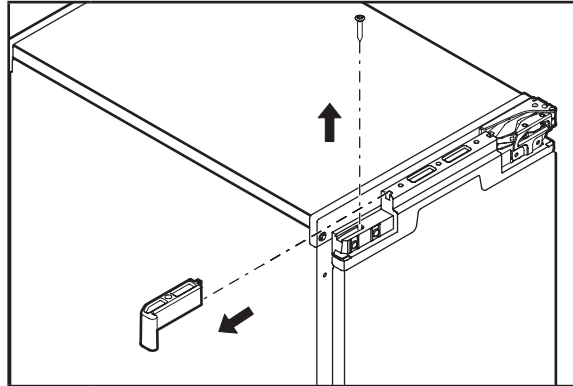
1

Lay down the ice maker as shown in the illustration. Be sure to cover the floor with cardboard or hardboard to avoid damaging it.

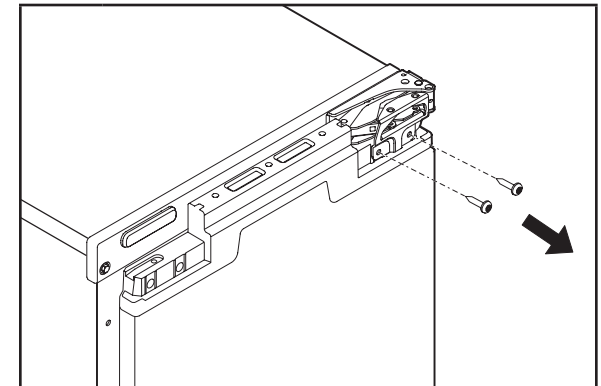
DOOR REVERSAL



2 Remove the screws and the top metal bracket using the Phillips screwdriver. Place them aside.



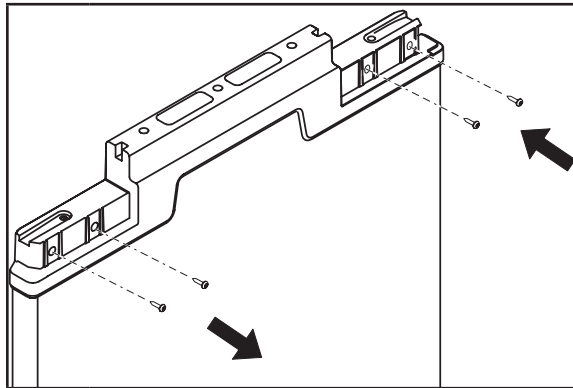
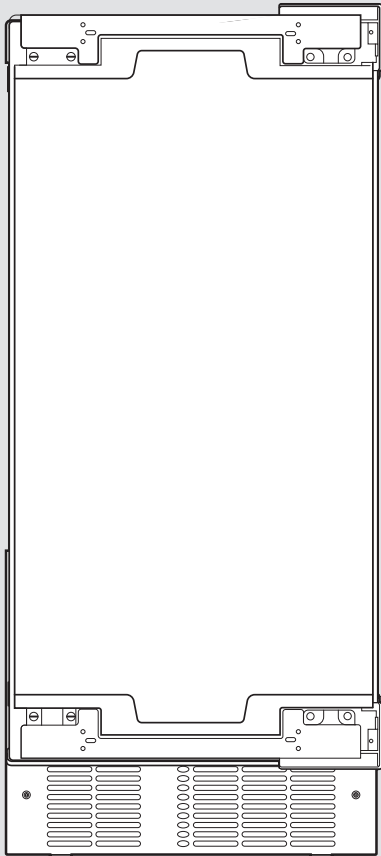
3 Remove the screw from the top and bottom end caps using the Phillips screwdriver. Remove and place them aside.



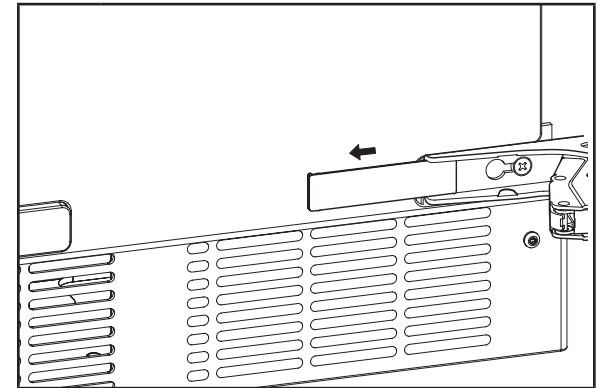
4 Using Torx T25 screwdriver unscrew the door hinge screws completely from the top and bottom hinges and place them aside.

DOOR REVERSAL

REMOVING THE HINGES (CONT.)

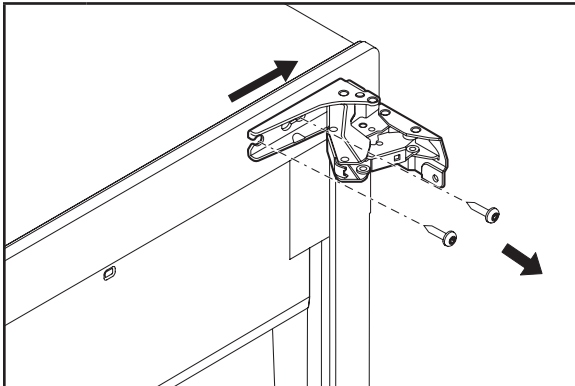


5 Remove the door and place it aside. Swap the hinge screws to the opposite side.

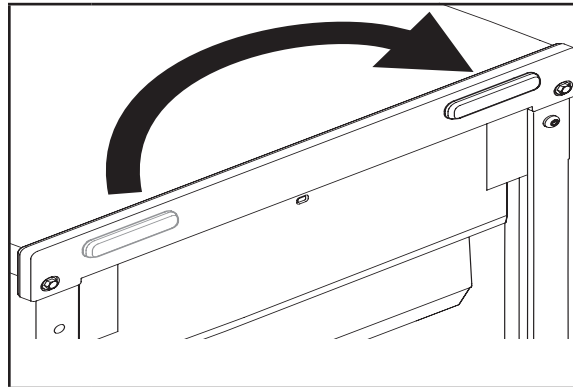


6 Remove the plastic screw cover from the inside of the hinges and place them aside.

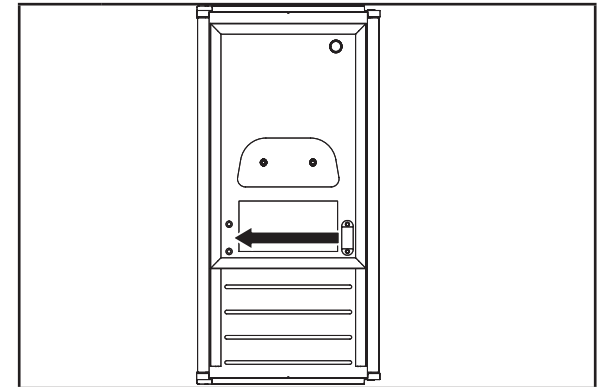
DOOR REVERSAL



7 Remove the screws and hinges from the cabinet with the Torx T25 screwdriver and place them aside.



8 Remove the screw cap cover and replace on the other side.



9 Swap the magnetic door catch to other side.

⚠ WARNING



Crush Hazard

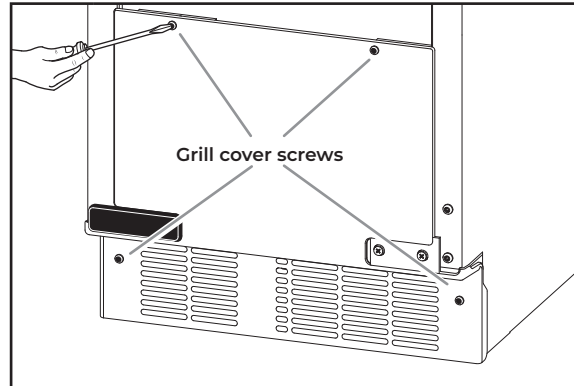
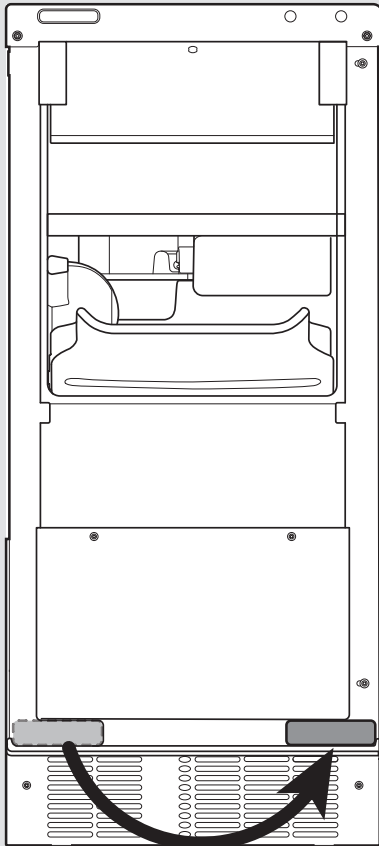
Articulated hinges are self closing and many pinch points exist prior to cabinet installation.

Do not operate, or close, the hinges while they are removed from the ice maker.

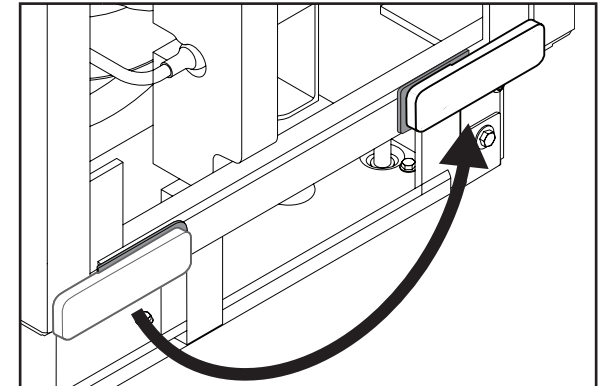
Failure to follow these instructions can result in crush, cut, or pinch injuries.

DOOR REVERSAL

PREPARING THE BOTTOM HINGES

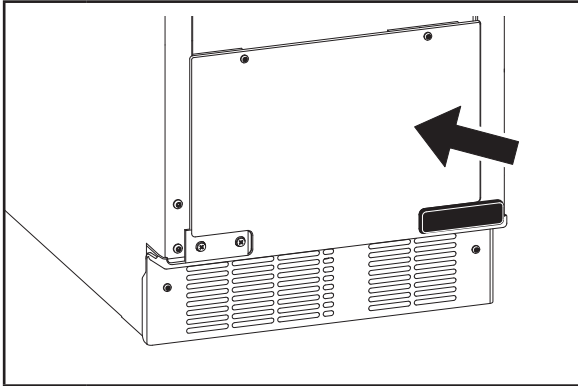


1 Unscrew and remove the grill cover using a TORX T20 screwdriver. Place them aside.



2 Remove the screw cover and place it on the other side as shown in the illustration.

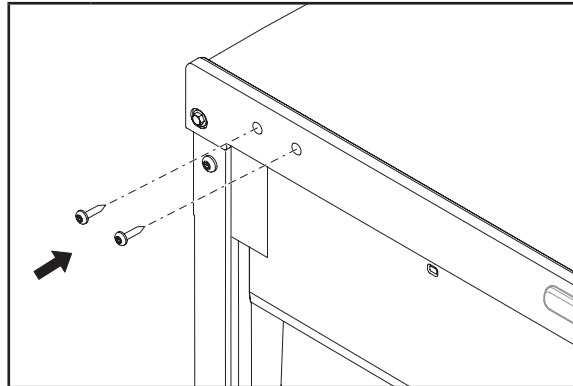
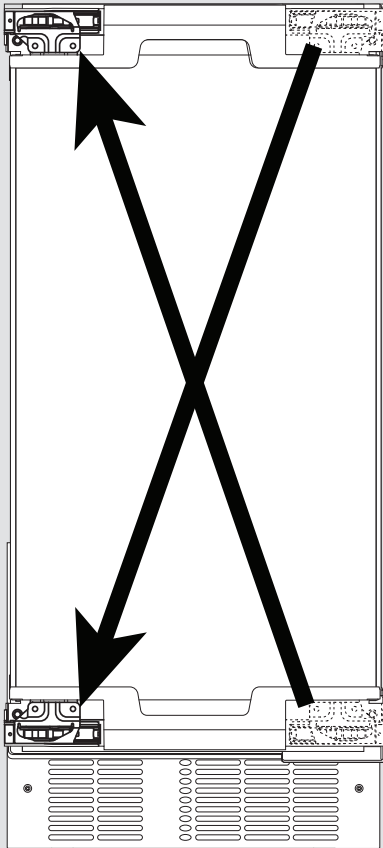
DOOR REVERSAL



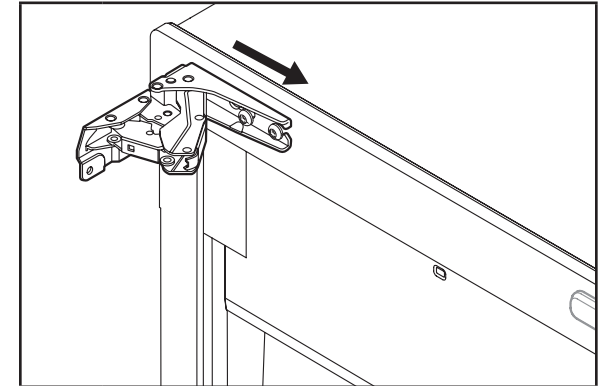
3 Reinstall the grill cover.

DOOR REVERSAL

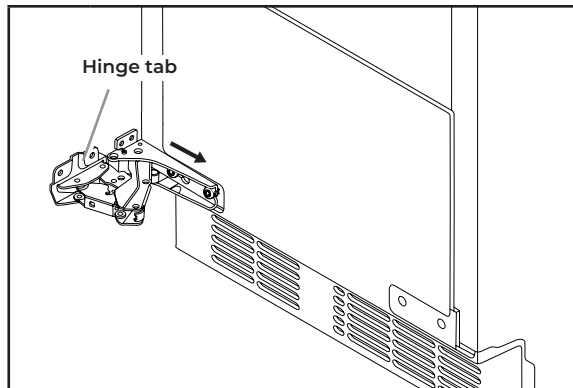
REVERSING THE HINGES



1 Install the hinge screws (placed aside in step 7 of “Preparing the Bottom Hinges”) half way on the desired side of the cabinet.



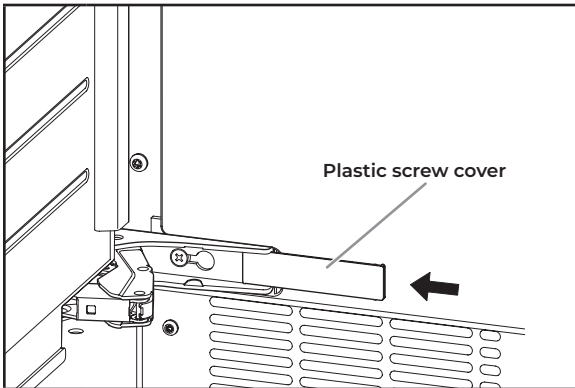
3 Take the original bottom hinge, flip it and place it in the top hinge position on the opposite side. Slide onto the cabinet hinge screws.



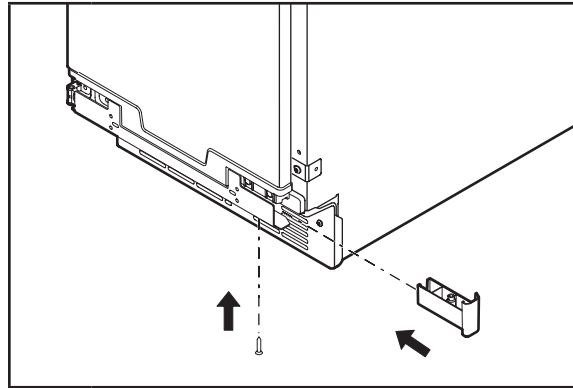
2 Take the original top hinge, flip it and place it in the bottom hinge position on the opposite side. Slide onto the cabinet hinge screws. The hinge tabs on the hinges should always face towards each other.

4 Fully tighten the top and bottom hinge screws.

DOOR REVERSAL

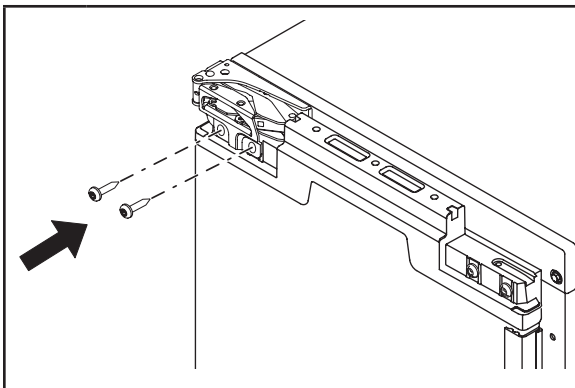


5 Reinstall the plastic screw cover to original locations on the hinges.

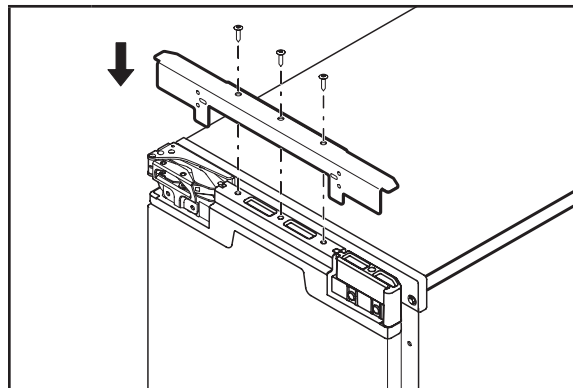


7 Reinstall the top and bottom end caps on the door (the top right end cap is now the bottom left end cap and vice versa).

NOTE: For custom wood install skip this step.



6 Slide the door onto the hinges. Using Torx T25 screwdriver install the screws (removed in the step 6 of "Removing the Hinges" section) onto the door.



8 Reinstall the top metal bracket on the door.

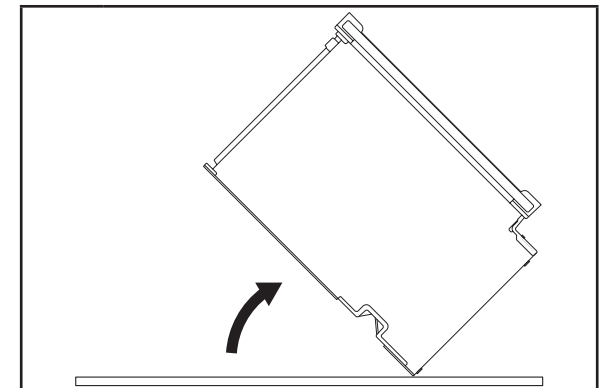
NOTE: For stainless steel panel install skip this step.

⚠ WARNING

Excessive Weight Hazard

Use two or more people to move and install ice maker.

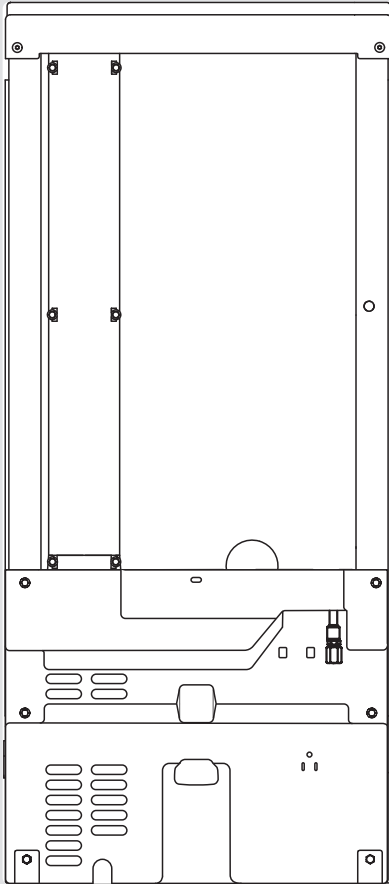
Failure to do so can result in back or other injury.



9 Return the ice maker back to upright position.

INSTALLATION

INSTALLING THE DRAIN PUMP - SITE PREPARATION



! If ice maker is not connected to the water supply, skip this section and go to “Installing the Drain Pump and Drain Hose” section.

NOTES:

- Connect drain pump to your drain in accordance with all state and local codes and ordinances.
- It may be desirable to insulate drain tube thoroughly up to drain inlet to minimize condensation on the drain tube. Insulated tube kit Part Number W10365792 is available for purchase.
- Drain pump is designed to pump water to a maximum height of 10 ft (3 m). Use only Whirlpool approved drain pump kit Part Number 1901A.
- Do not connect the outlet end of the drain tube to a closed pipe system to avoid drain water from backing up into the ice maker.

Kit Contains:

- Drain pump kit Part Number 1901A
- 5/8" I.D. x 51/8" drain tube (ice maker bin to drain pump reservoir inlet)
- 1/2" I.D. x 10 ft (3 m) drain tube hose (drain pump discharge to household drain)
- 5/16" I.D. x 32" (81 cm) vent tube (drain pump reservoir vent to ice maker cabinet back)
- Cable tie (secures vent tube to suction tube) (1)
- #8-32 x 3/8" pump mounting screws (secures drain pump to baseplate and clamps to back of ice maker) (5)
- 5/8" small adjustable hose clamp (secures vent to drain pump)
- 7/8" large adjustable hose clamp, (secures drain tube to ice maker bin and drain pump reservoir inlet) (3)
- Instruction sheet

If Ice Maker is Currently Installed

! WARNING



Electrical Shock Hazard

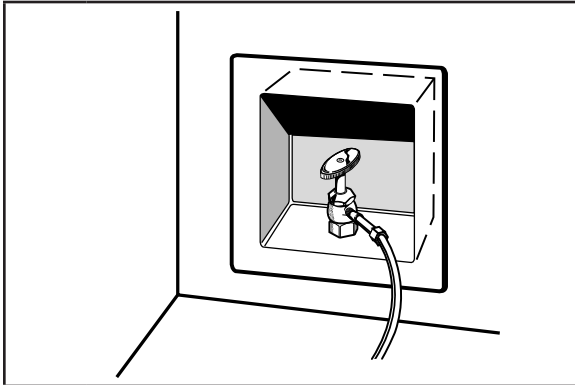
Disconnect power before servicing.

Replace all parts and panels before operating.

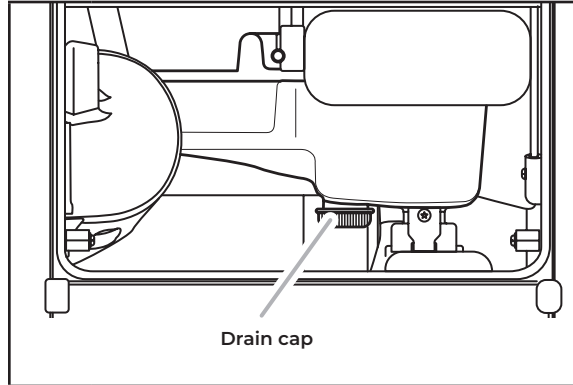
Failure to do so can result in death or electrical shock.

- 1** Press the OFF button to Stop ice production. Then unplug the ice maker or disconnect power.

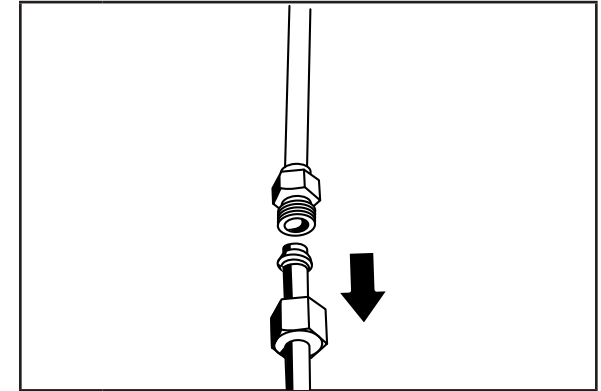
INSTALLATION



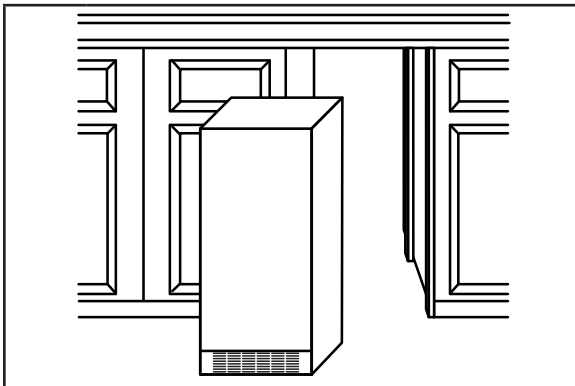
2 Turn off water supply. Wait 5 to 10 minutes for the ice to fall into the storage bin. Remove all ice from bin.



4 Unscrew the drain cap from the bottom of the water pan located inside the storage bin. Allow water to drain completely.



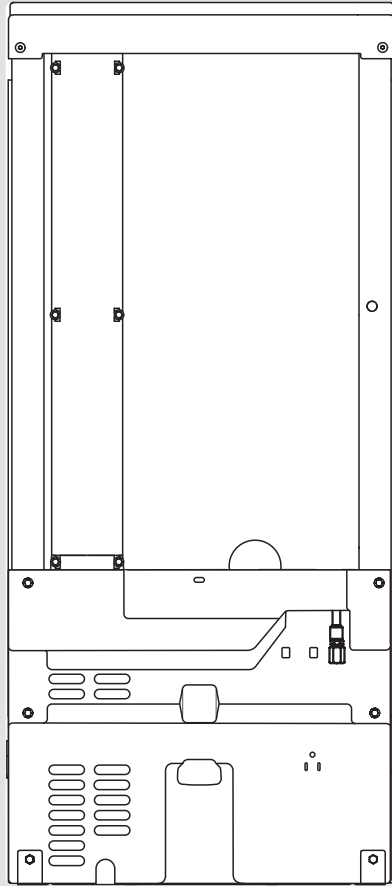
5 Disconnect water supply line.



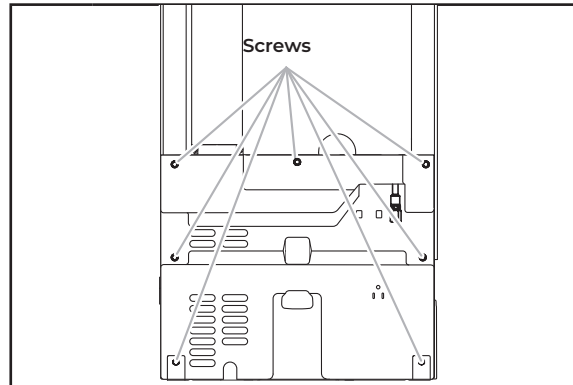
3 If ice maker is built into cabinets, pull ice maker out of the opening.

INSTALLATION

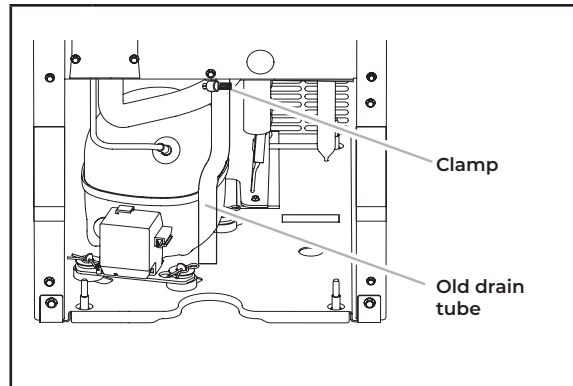
INSTALLING THE DRAIN PUMP AND DRAIN HOSE



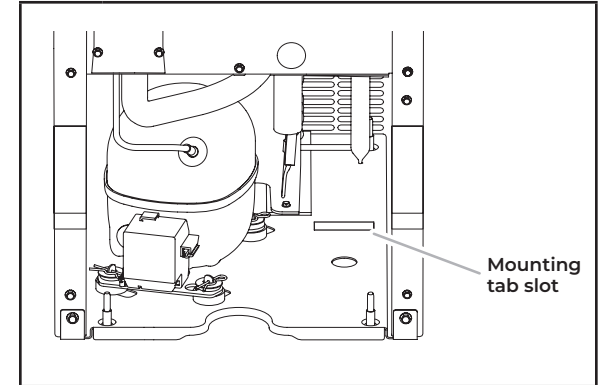
NOTE: Do not kink, smash or damage tubes or wires during installation.



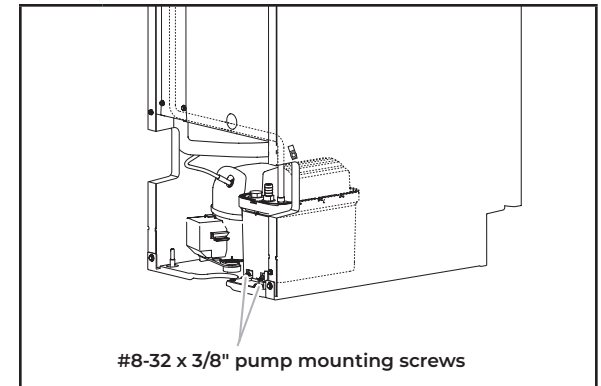
1 Unscrew the screws attaching rear panel to ice maker. Remove the screws and rear panel, place them aside. For pump models, skip to step 12.



2 Remove the old drain tube and clamp attached to the ice maker bin.
NOTE: Discard old drain tube and clamp.

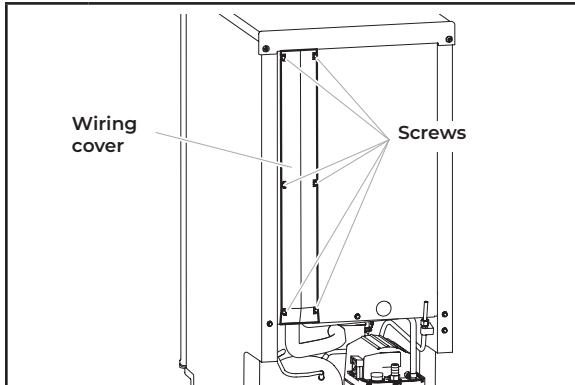


3 Install the drain pump on the right side of the ice maker base. Tip the drain pump slightly to slide the mounting tab into the mounting tab slot.

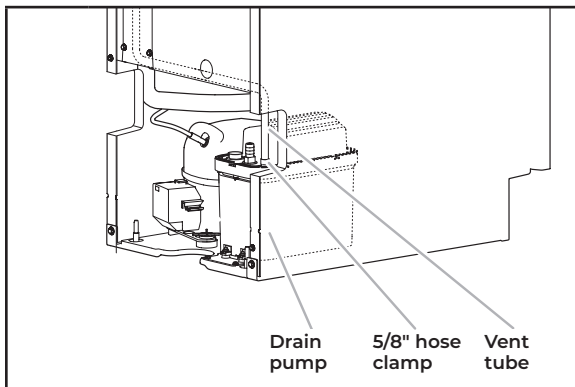


4 Align the two screw holes at the rear of the pump. Use the two #8-32 x 3/8" screws supplied to attach the pump to the ice maker base.

INSTALLATION



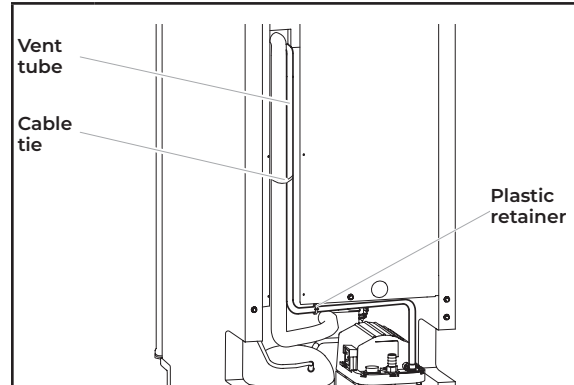
5 Unscrew the screws attaching wiring cover to the ice maker and remove the wiring cover. Place the screws and wiring cover aside.



6 Install vent tube [5/16" I.D. x 32" (81 cm)] to drain pump reservoir vent. Use one of the supplied 5/8" small adjustable clamp.

NOTE:

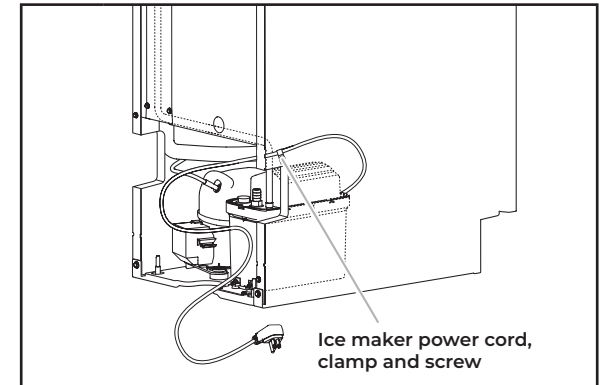
- Do not block air flow through the vent tube by over tightening the cable tie.



7 Route the vent tube through the plastic retainer as shown in the illustration. Using a cable tie, tie the vent tube to the suction tube and wires located behind the wiring cover. Reinstall the wiring cover and screws.

NOTE:

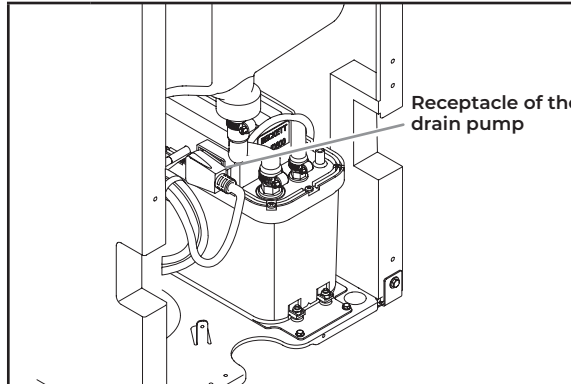
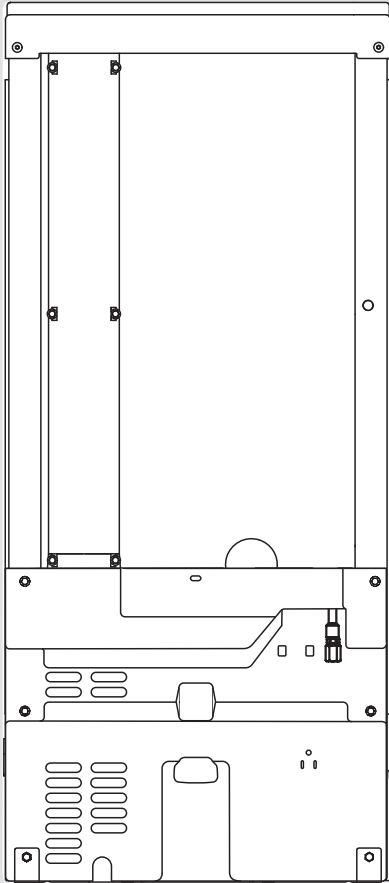
- Do not overtighten the vent tube, it may block the airflow through tube.



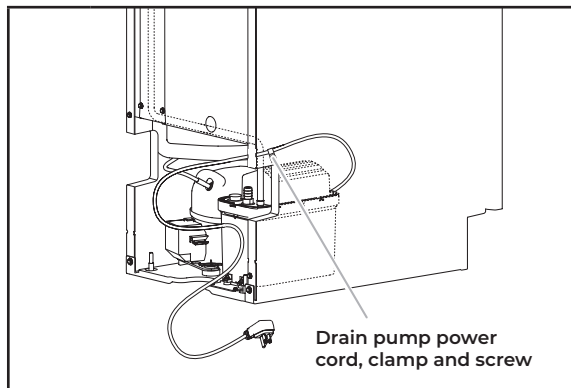
8 Unscrew and remove the power cord clamp mounted to the ice maker side wall from the ice maker power cord.

INSTALLATION

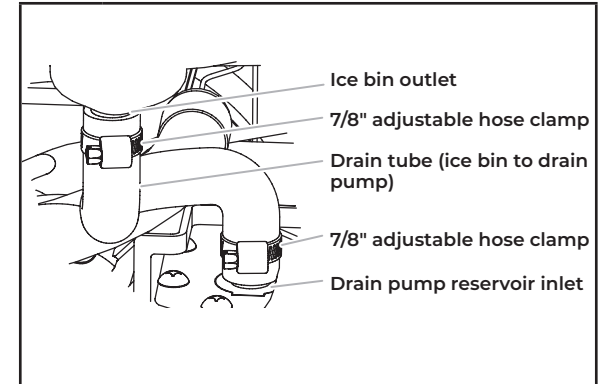
INSTALLING THE DRAIN PUMP AND DRAIN HOSE (CONT.)



9 Coil the ice maker power cord into a 4" (10.2 cm) diameter coil. Restrain the coil with electrical tape or cable ties. Place the coiled power cord as shown in the illustration and plug it into the receptacle on the drain pump.



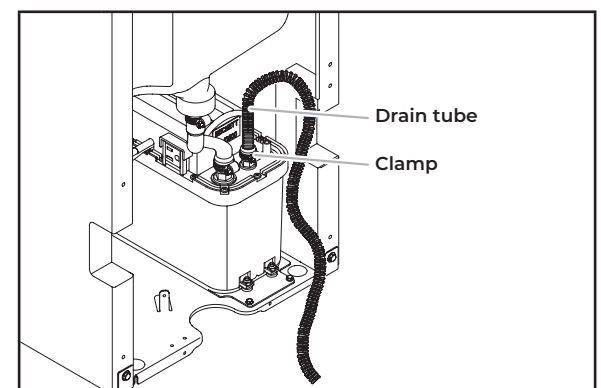
10 Attach the drain pump power cord to the ice maker side wall with the clamp and screw (removed in step 7).



11 New drain tube is provided in the drain pump kit. Install new drain tube to both the ice bin outlet and the drain pump reservoir inlet using new adjustable clamps.

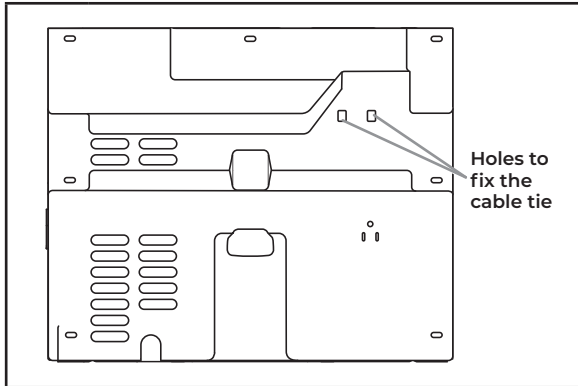
NOTES:

- Do not kink.
- Trim tube length if required.

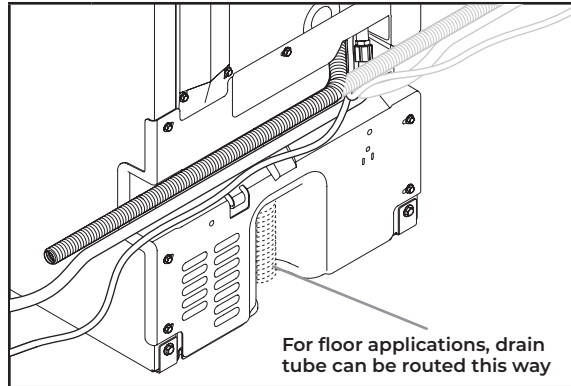


12 Attach the drain tube to pump discharge tube using a clamp provided.

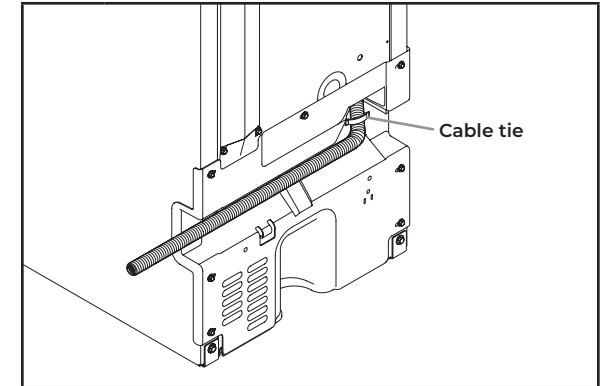
INSTALLATION



13 Install the cable tie on the rear panel using two holes provided on the rear panel.



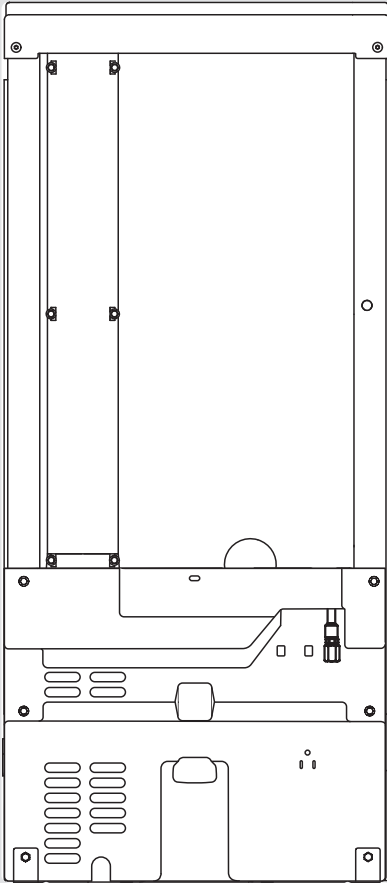
14 Route the drain pump discharge tube, power cord, and water inlet through the slot in the ice maker back panel. Replace the rear panel and screws.



15 Using a cable tie, fix the drain tube to rear panel as shown in the illustration.

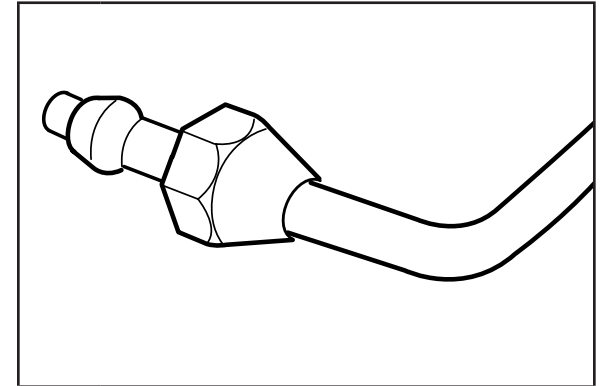
INSTALLATION

CONNECTING THE WATER SUPPLY



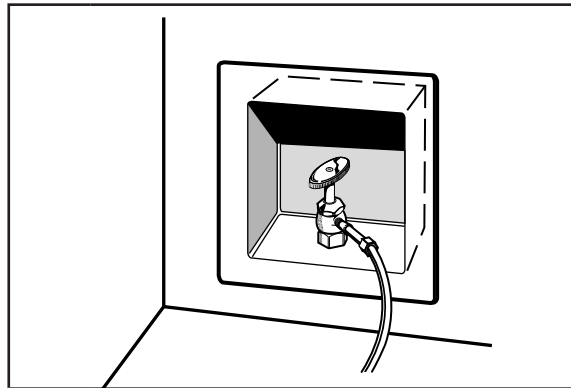
IMPORTANT:

- Plumbing shall be installed in accordance with the International Plumbing Code and any local codes and ordinances.
- Use copper tubing or JennAir supply line, Part Number 8212547RP, and check for leaks.
- Install tubing only in areas where temperatures will remain above freezing. Turn off main water supply. Turn on nearest faucet line long enough to clear line of water.



2

Use 1/4" (6.35 mm) O.D. soft copper tubing or Whirlpool approved refrigerator water hose with square cut ends for the cold water supply. Slip the compression sleeve and nut onto the copper tubing. Be sure that you have the proper length needed for the job.



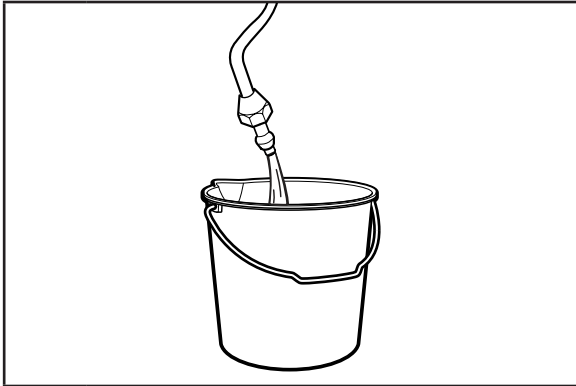
1

Using a minimum 1/2" copper tubing with a quarter turn shut-off valve or the equivalent supply line, connect the ice maker as shown.

3

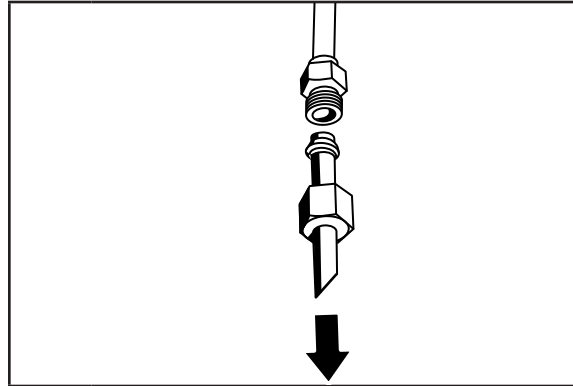
Route the water line through the cabinetry to the ice maker utility cutout. Be sure there water line extends 30" beyond the cabinet for future servicing purpose.

INSTALLATION

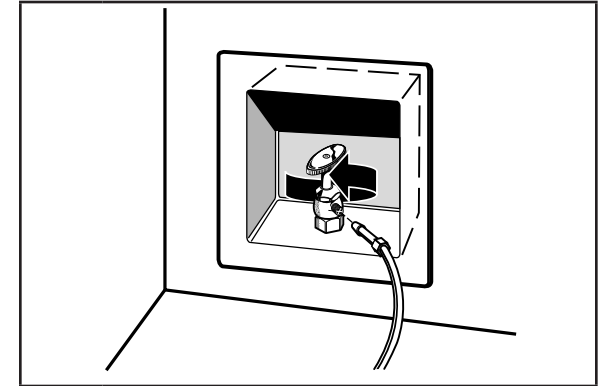


4 Flush out tubing by placing the free end of the tubing into a container or sink, and turning on the main water supply until water is clear. Turn off shut-off valve on the water pipe.

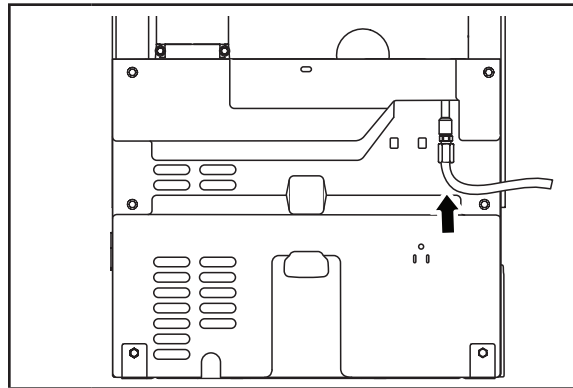
IMPORTANT: Always drain the water line before making the final connection to the inlet of the water valve to avoid possible water valve malfunction.



5 Remove and discard the short, plastic tube from the end of the water line inlet.



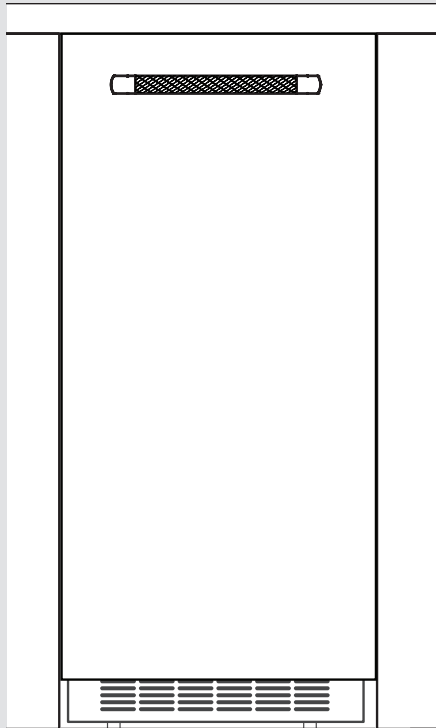
7 Turn shutoff valve on. Check for leaks. Tighten any connections (including connections at the valve) or nuts that leak.



6 Insert end of tubing squarely into outlet end as far as it will go. Screw compression nut onto outlet end with adjustable wrench. Tighten the nut by hand. Then tighten it with a wrench two more turns. Do not overtighten.

INSTALLATION

LEVELING AND SECURING

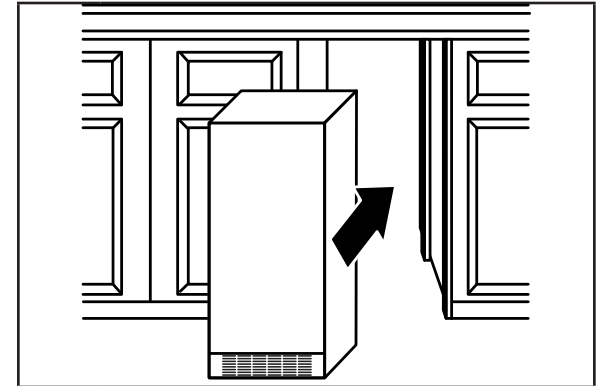


⚠ WARNING

Excessive Weight Hazard

Use two or more people to move and install ice maker.

Failure to do so can result in back or other injury.



1

Move the ice maker in front of its final location. Be sure to cover the floor with cardboard or hardboard to avoid damaging it.

INSTALLATION

⚠ WARNING

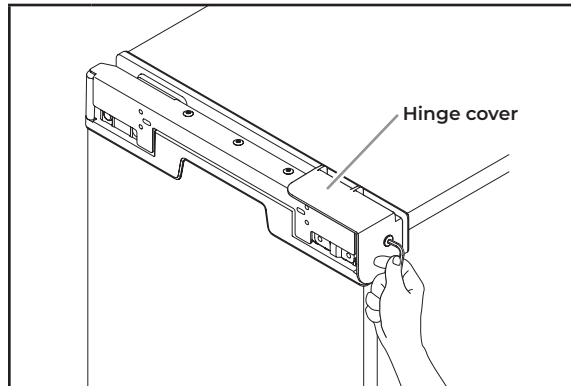


Crush Hazard

Articulated hinges are self closing and many pinch points exist prior to cabinet installation.

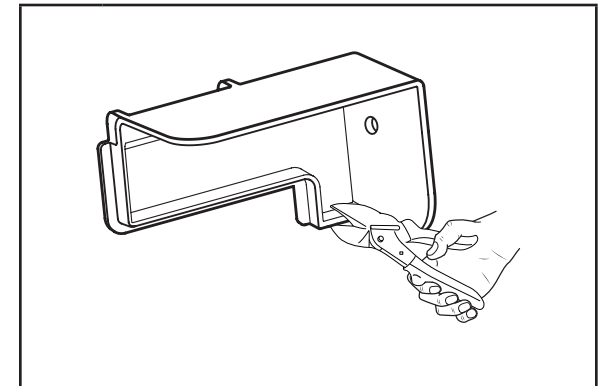
Do not remove hinge covers until product is ready to be installed.

Failure to follow these instructions can result in crush, cut, or pinch injuries.



2

Remove the screws attaching top and bottom hinge covers using an 3/16" hex driver.



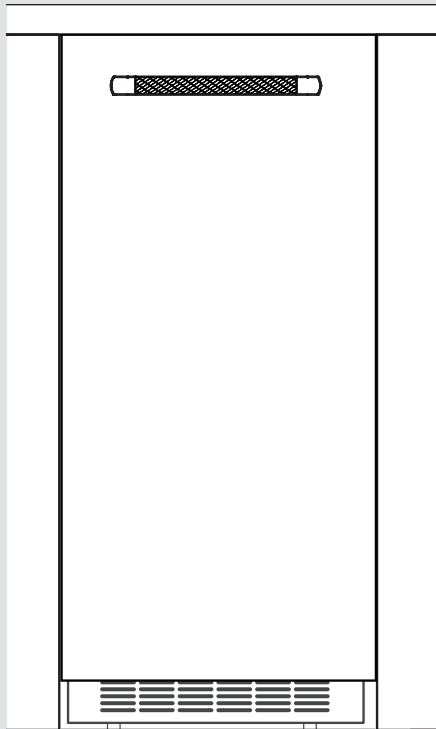
3

Using pliers, remove the hinge covers from the top and bottom hinges.

NOTE: Save the hinge covers for future use. Reinstall the hinge covers if product is removed from cabinet installation.

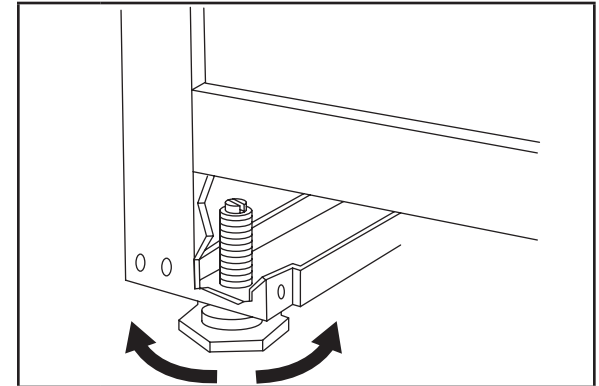
INSTALLATION

LEVELING AND SECURING (CONT.)



4

Install the door panel according to the instructions in the “Custom Wood Door Panel” section or instructions received with the stainless steel panel received with kit.



5

Use ice maker leveling legs to align ice maker door to the adjacent cabinet opening.

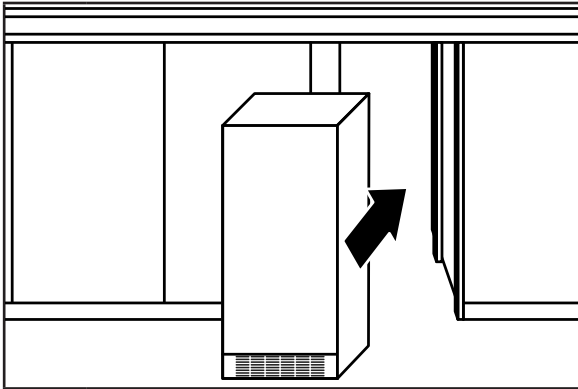
⚠ WARNING

Excessive Weight Hazard

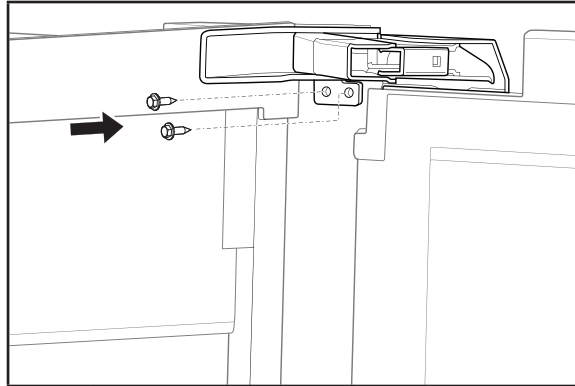
Use two or more people to move and install ice maker.

Failure to do so can result in back or other injury.

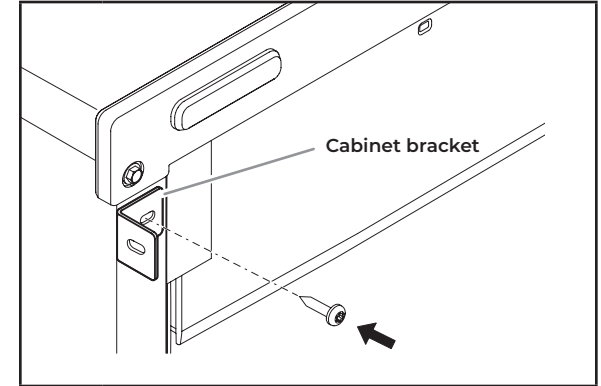
INSTALLATION



6 Slide ice maker into the cabinet while managing the utility connection positions behind the ice maker. Be sure to cover the floor with cardboard or hardboard to avoid damaging it. **IMPORTANT:** For the flush install, the ice maker utility connections must be routed out through the slot in the ice maker rear panel.



7 Be sure that the ice maker is at desired depth. Secure the top and bottom hinges to the side of the cabinet using wood screws.



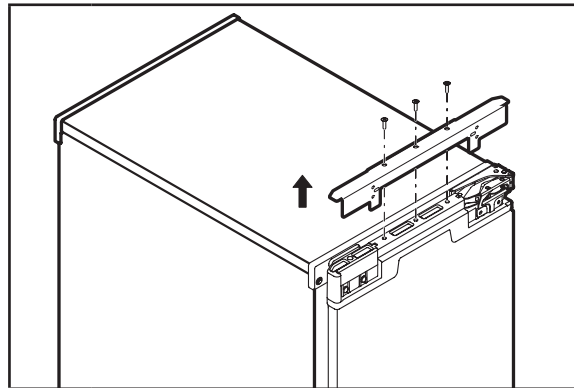
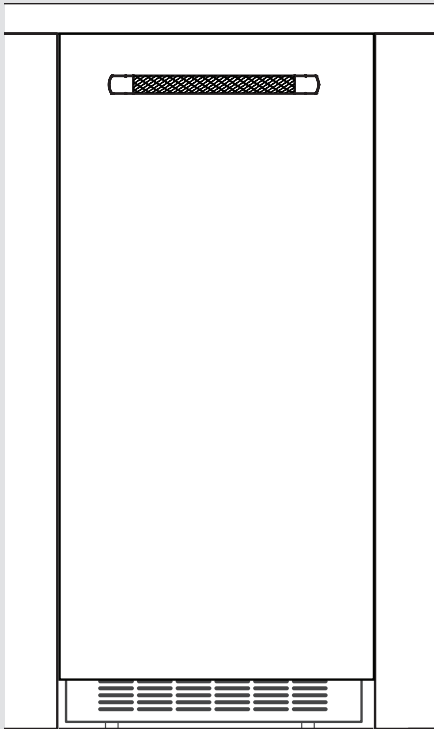
8 Attach the cabinet brackets (provided with ice maker) to the holes in the front of ice maker as shown in the illustration. Attach the cabinet brackets to the side of the cabinet with wood screws.

NOTE: For the custom wood panel installation, continue installation at step 6 of "Custom wood panel installation."

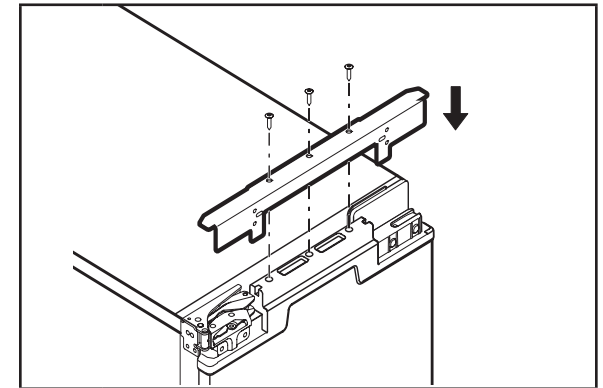
INSTALLATION

! If stainless steel panel is installed, skip "Custom Wood Door Panel" section.

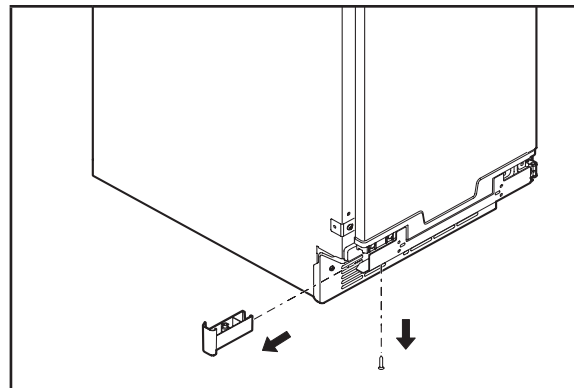
CUSTOM WOOD DOOR PANEL



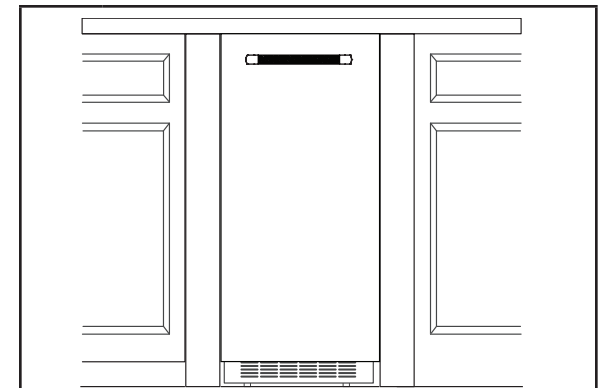
1 Remove screws and the top metal bracket using the Phillips screwdriver. Remove and place them aside. Skip this step and go to the step 4 if the door reversal has been completed.



3 Reinstall top metal bracket using screws removed in the step 1.

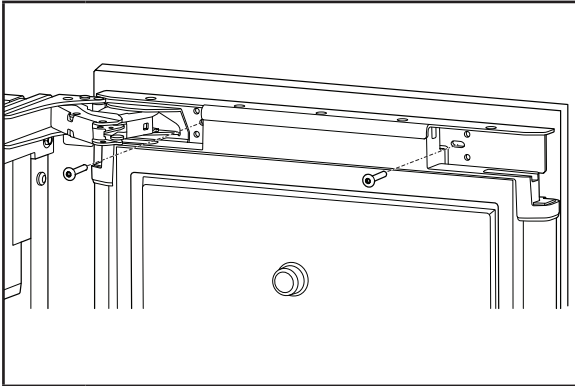


2 Remove the top and bottom end caps using the Phillips screwdriver and place them aside.

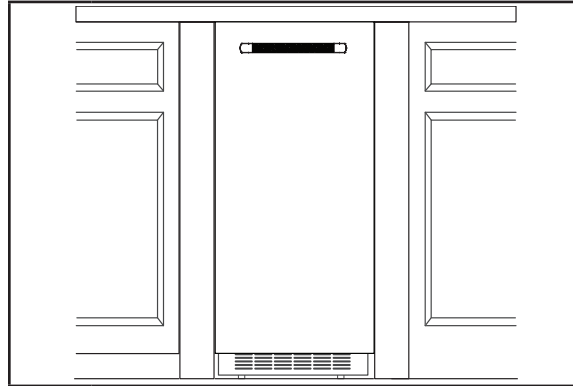


4 Lightly press the custom panel onto the door using double sided adhesive tape. Adjust height of the panel to align with the adjacent cabinetry. Press the panel firmly against door.

INSTALLATION

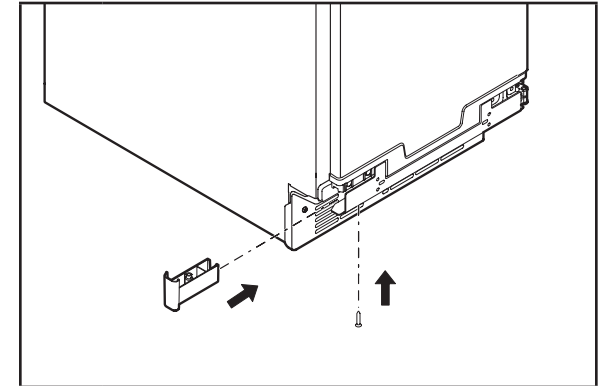


- 5** From inside the door, install the wood screws through the slotted holes in the metal brackets.
Continue to “Leveling and Securing” section at step 5.



- 6** Adjust the panel side to side to achieve a desired gap on both sides. Install the remaining screws through the door bracket into the panel.

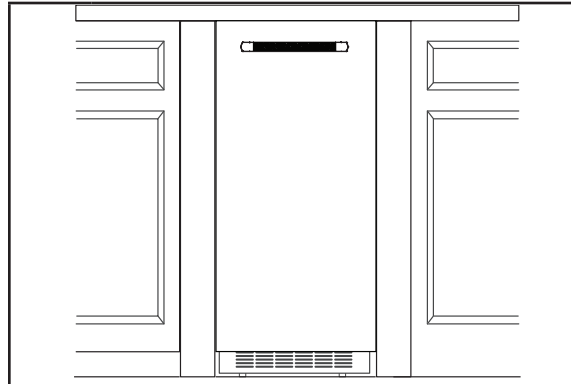
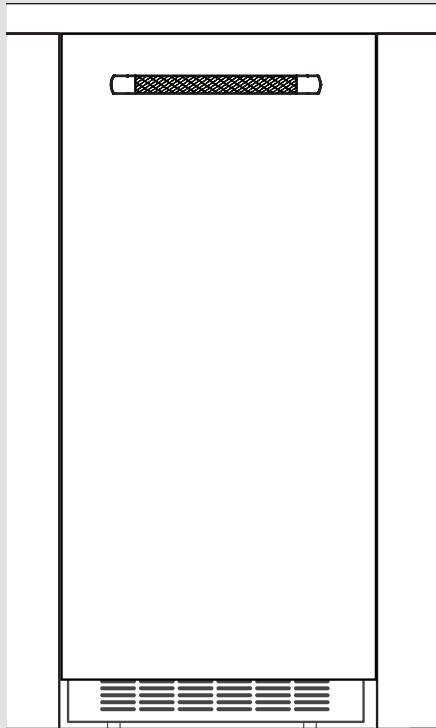
NOTE: Be sure that the panel is aligned with adjacent cabinet before installing the remaining screws to secure the door panel.



- 7** Replace the top and bottom end caps into the door. Fix the bottom end cap using screw through the bottom metal bracket hole.

INSTALLATION

CONNECTING THE DRAIN



- 1** **Style 1**—For a gravity drain system, be sure that the ice maker drain tube is positioned over the PVC drain reducer. See the “Gravity Drain System” section.
Style 2—For a drain pump system, connect the drain pump outlet hose to the drain. Refer the “Drain Supply Requirements” section.
NOTE: Do not connect outlet end of drain tube to a closed pipe system to avoid drain water from backing up into the ice maker.

⚠ WARNING



Electrical Shock Hazard

Plug into a grounded 3 prong outlet.

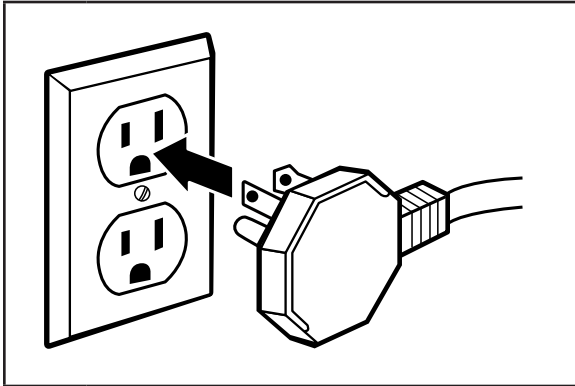
Do not remove ground prong.

Do not use an adapter.

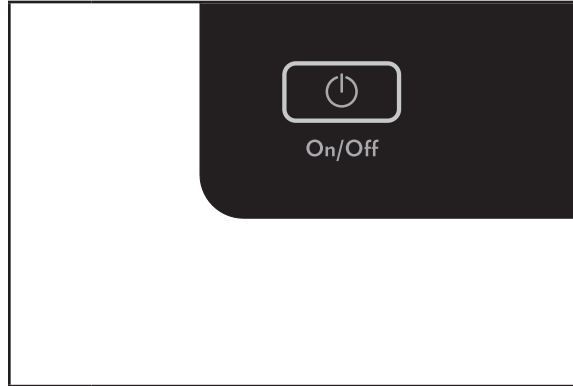
Do not use an extension cord.

Failure to follow these instructions can result in death, fire, or electrical shock.

INSTALLATION



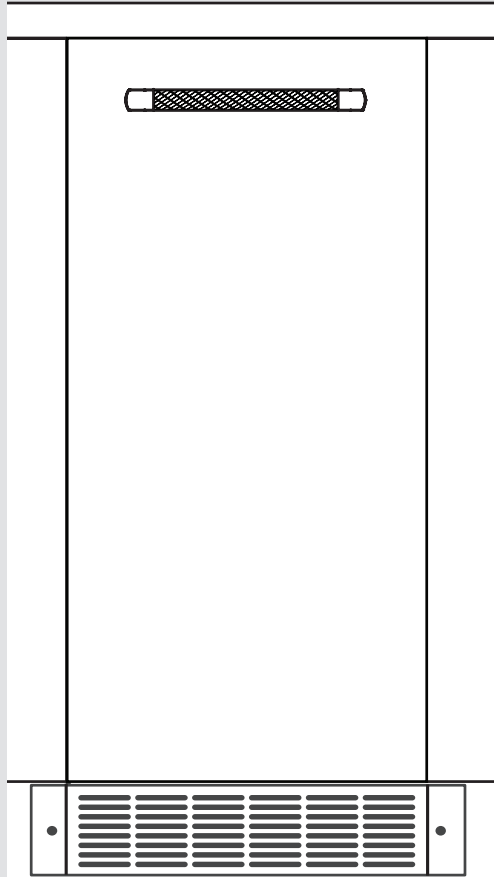
2 Plug in ice maker or reconnect power.



3 Turn on ice maker. Wait for rinsing cycle, approximately 5 minutes, to be sure the ice maker is operating properly.

INSTALLATION

INSTALLING AUXILIARY GRILL



The auxiliary grill is an optional accessory. It can be used to align the toe grill with the rest of the cabinets (while not obstructing ventilation of the ice maker).

NOTE: Install auxiliary grill only after finishing the complete ice maker installation.

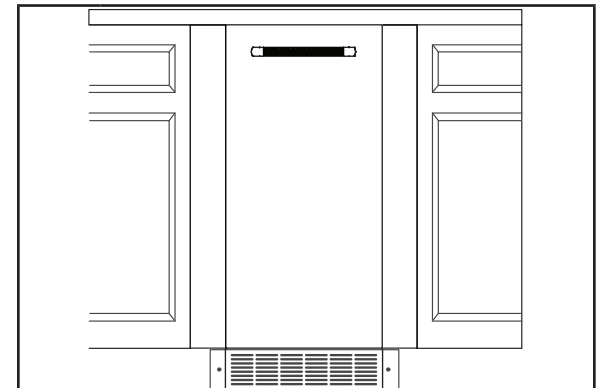
1 Remove packaging material and discard it.

2 Remove the screws that are taped inside the auxiliary grill.

3 Place grill onto cabinetry. Align part so that grating pattern on the auxiliary grill matches that of the toe grill on the ice maker.

4 Center auxiliary grill on cut out for ice maker. Mark hole locations on each side of auxiliary grill on cabinet.

5 Using power drill and a 1/8" drill bit, drill holes in cabinet. This is to fit screws of size #8-18 x 0.750".



6 Using the TORX T20 screwdriver, screw auxiliary grill into cabinet.

APPENDIX

ACCESSORIES

IMPORTANT: A drain pump is necessary when a floor drain is not available. A Drain Pump kit, Part Number 1901A, is available for purchase at <https://www.jennair.com/>

NOTE: It may be desirable to insulate the drain line thoroughly up to the drain inlet. An Insulation Sleeve kit, Part Number W10365792, is available for purchase at <https://www.jennair.com/>

To order a Stainless Steel Door Panel kit, visit <https://www.jennair.com/>

To order JennAir Handle kit for custom wood door panel, visit <https://www.jennair.com/>

To order Copper Refrigerator Water Supply kit (8003RP), visit <https://www.jennair.com/>

To order Industrial Grade Refrigerator Water Hose (W10505928RP), visit <https://www.jennair.com/>

| APPENDIX



INTRODUCTION

SÉCURITÉ

Votre sécurité et celle des autres est très importante.

Nous donnons de nombreux messages de sécurité importants dans ce manuel et sur votre appareil ménager. Assurez-vous de toujours lire tous les messages de sécurité et de vous y conformer.



Voici le symbole d'alerte de sécurité.

Ce symbole d'alerte de sécurité vous signale les dangers potentiels de décès et de blessures graves à vous et à d'autres.

Tous les messages de sécurité suivront le symbole d'alerte de sécurité et le mot "DANGER" ou "AVERTISSEMENT". Ces mots signifient :

⚠ DANGER

Risque possible de décès ou de blessure grave si vous ne suivez pas immédiatement les instructions.

⚠ AVERTISSEMENT

Risque possible de décès ou de blessure grave si vous ne suivez pas les instructions.

Tous les messages de sécurité vous diront quel est le danger potentiel et vous disent comment réduire le risque de blessure et ce qui peut se produire en cas de non-respect des instructions.

IMPORTANTES INSTRUCTIONS DE SÉCURITÉ

AVERTISSEMENT : Pour réduire les risques d'incendie, de choc électrique ou de blessures lors de l'utilisation du machine à glaçons, prendre quelques précautions fondamentales, y compris les suivantes :

- Brancher sur une prise de courant à 3 alvéoles reliée à la terre.
- Ne pas enlever la prise de liaison à la terre.
- Ne pas utiliser d'adaptateur.
- Ne pas utiliser de rallonge.
- Ne pas entreposer de substances explosives comme des aérosols avec agent propulseur inflammable dans cet appareil.
- Débrancher l'alimentation électrique avant nettoyage.
- Déconnecter la source de courant électrique avant l'entretien.
- Replacer pièces et panneaux avant de faire la mise en marche.
- Brancher sur une arrivée d'eau potable uniquement.
- Si le cordon d'alimentation est endommagé, il doit être remplacé par le fabricant, son agent de réparation ou toute autre personne qualifiée afin d'éviter tout danger.
- Cet appareil ne convient pas à une utilisation par des personnes (y compris des enfants) à capacités physiques, sensorielles ou mentales réduites, ou possédant un manque d'expérience et de connaissances, à moins qu'elles ne soient placées sous supervision ou qu'elles aient reçu des instructions concernant l'utilisation de l'appareil par une personne responsable de leur sécurité.
- Utiliser deux ou plus de personnes pour déplacer et installer le machine à glaçons.
- Les enfants doivent être placés sous surveillance afin de s'assurer qu'ils ne jouent pas avec l'appareil.
- Cet appareil est destiné à un usage domestique et à d'autres usages similaires comme :
 - Espace de cuisine pour personnel de boutiques, bureaux et autres environnements professionnels;
 - Résidences fermières et utilisation par les clients d'hôtels, de motels et d'autres types de résidences;
 - Environnements de type chambres d'hôtes;
 - Banquets et autres utilisations non commerciales semblables.

CONSERVER CES INSTRUCTIONS

INTRODUCTION

ENREGISTREMENT DE VOTRE APPAREIL

Accédez à notre service à la clientèle de niveau concierge en enregistrant votre appareil. Nous simplifions l'enregistrement des produits afin que vous puissiez commencer à utiliser vos avantages JennAir exclusifs aujourd'hui.

L'enregistrement de votre appareil vous permet de :

- **Rendre plus simple votre service de garantie**

Si nous disposons des informations sur votre produit, nous pouvons vous aider plus rapidement.

- **Protéger votre achat**

En cas de perte d'assurance, comme lors d'un incendie, d'une inondation ou d'un vol, l'enregistrement de votre produit pourrait servir de preuve d'achat.

- **Garder votre famille en sécurité.**

Nous vous informerons dans le cas rare d'une notification de sécurité.

Commencez à profiter de ces avantages aujourd'hui en vous connectant en ligne pour enregistrer votre produit au jennair.com/customer-care.

IDENTIFICATION DU PRODUIT

L'identification de votre produit, qui comprend le modèle et les numéros de série, figure sur la plaque signalétique du produit.

L'enregistrement des informations suivantes nous permet de vous aider plus facilement si votre appareil doit être réparé par un de nos fournisseurs de services agréés Whirlpool.

Numéro de modèle : _____

Numéro de série : _____

Date d'installation : _____

Marchand autorisé : _____

No de téléphone du marchand autorisé : _____

TABLE DES MATIÈRES

INTRODUCTION

Sécurité	43
Enregistrement de votre appareil	44
Identification du produit	44

MISE EN PLACE

Avant l'installation	45
Outils requis.....	45
Pièces fournies	45
Vacances ou longue période d'inutilisation.....	46
Déballage de la machine à glaçons.....	46
Personnalisations optionnelles	46

PRÉPARATION DU SITE

Dimensions du produit et de l'ouverture	47
Exigences d'emplacement.....	48
Spécifications électriques.....	49
Spécifications de l'alimentation en eau... ..	50
Spécifications de l'évacuation	51
Système de vidange par gravité	51
Système de la pompe de vidange	51

INVERSION DE LA PORTE

Retirer les couvre-charnière	52
Retirer les charnières.....	54
Préparer les charnières du bas	58
Inverser des charnières	60

INSTALLATION

Installation de la pompe de vidange – Préparation du site.....	62
Si la machine à glaçons est déjà installée	62
Installation de la pompe de vidange et du tuyau d'évacuation.....	64
Raccordement à la canalisation d'eau ...	68
Mettre de niveau et sécuriser	70
Panneau de porte en bois personnalisé ..	74
Raccordement de la vidange	76
Installation de la grille auxiliaire	78

ANNEXE

Accessoires	80
-------------------	----

MISE EN PLACE

AVANT L'INSTALLATION

Rassembler les outils et pièces nécessaires avant d'entreprendre l'installation. Lire et observer les instructions d'installation fournies avec chaque outil mentionné dans la liste.

IMPORTANT : Ces instructions ne constituent qu'un guide général et ne peuvent en aucun cas être substituées aux prescriptions d'un code national ou local applicable. Avant d'entreprendre l'installation, on doit déterminer les critères de conformité de l'installation aux prescriptions de tout code national, provincial ou local.

Installateur : S'assurer de remettre les instructions d'installation au propriétaire.

Propriétaire : Conserver les instructions d'installation pour référence ultérieure.

OUTILS REQUIS

Rassembler les outils nécessaires avant de commencer l'installation.

OUTILS REQUIS

- Perceuse et forets
- Tournevis cruciforme
- Crayon
- Ruban adhésif de masquage
- Deux clés à molette
- Niveau
- Vis à bois
- Scie-cloche de 2 po ou mèche emporte-pièce de 2 po
- Tourne-écrou de 3/16 po
- Tourne-écrou de 1/4 po
- Pince
- Tournevis à angle droit
- Tournevis Torx T20, T25†
- Ruban à mesurer

PIÈCES FOURNIES

- Supports d'armoire
- Tuyau de vidange et bride (dans le sac du tuyau) – sur certains modèles seulement
- (14) vis à bois à tête plate cruciforme no 8 x 1/2 po
- Ruban adhésif double face (pour les panneaux de porte personnalisés)
- Ensemble de la grille auxiliaire

†Torx T20 et T25 sont des marques déposées de Acument Intellectual Properties, LLC.

MISE EN PLACE

VACANCES OU LONGUE PÉRIODE D'INUTILISATION

Lorsque la machine à glaçons n'est pas utilisée pendant une longue période de temps, fermer l'alimentation en eau et en électricité de la machine.

S'assurer que les tuyaux d'alimentation en eau sont isolés contre le gel. La formation de glace dans les canalisations d'arrivée d'eau peut entraîner une élévation de la pression en eau et endommager la machine à glaçons ou le domicile. La garantie de l'appareil ne couvre pas les dommages imputables au gel.

DÉBALLAGE DE LA MACHINE À GLAÇONS

AVERTISSEMENT

Risque de poids excessif.

Utiliser au moins deux personnes pour déplacer et installer la machine à glaçons.

Le non-respect de cette instruction peut entraîner une blessure au dos ou d'autres blessures.

ENLÈVEMENT DES MATÉRIAUX D'EMBALLAGE

Déballer la machine à glaçons. Enlever le ruban adhésif et la colle de la machine à glaçons avant de l'utiliser.

- Pour enlever tout résidu de ruban adhésif ou de colle de la surface extérieure de la machine à glaçons, frotter vivement la zone avec le pouce. Les résidus de ruban adhésif et de colle peuvent aussi facilement être enlevés en frottant à l'aide d'un doigt une petite quantité de savon liquide à vaisselle sur l'adhésif. Rincer à l'eau tiède et sécher.
- Ne pas utiliser d'instruments coupants, d'alcool à friction, de liquides inflammables ou de nettoyants abrasifs pour enlever le ruban adhésif ou la colle. Ne pas utiliser d'eau de Javel sur les surfaces en acier inoxydable de la machine à glaçons. Ces produits peuvent endommager la surface de votre machine à glaçons.

NETTOYAGE AVANT UTILISATION

Après avoir enlevé tous les matériaux d'emballage, nettoyer l'intérieur de la machine à glaçons avant de l'utiliser. Pour obtenir des instructions sur la façon de nettoyer la machine à glaçons, consulter les instructions de nettoyage de la section "Entretien de la machine à glaçons" du guide d'utilisation et d'entretien.

PERSONNALISATIONS OPTIONNELLES

INVERSER LE SENS D'OUVERTURE DE LA PORTE

Pour obtenir des instructions sur la façon d'inverser le sens d'ouverture de la porte, consulter la section "Inversion de la porte".

INSTALLATION DU PANNEAU PERSONNALISÉ

Pour obtenir les instructions sur la façon d'installer un panneau de porte personnalisé, consulter la section "Panneau de porte en bois personnalisé".

Pour l'installation d'un panneau décoratif personnalisé, l'installateur devra fabriquer lui-même le panneau ou consulter un ébéniste ou menuisier qualifié.

IMPORTANT :

- L'épaisseur du panneau décoratif doit être de 3/4 po (1,91 cm).
- Le poids du panneau décoratif ne doit pas dépasser 8 lb (3,62 kg).
- Des panneaux de poids supérieur au poids recommandé risquent d'endommager la machine à glaçons.
- Fraiser tous les trous pour la quincaillerie d'installation de la poignée.
- Veiller à ce que le grain du bois ait la même orientation que pour les armoires adjacentes.
- Poncer les bords du panneau pour créer un fini doux.
- Utiliser un composant d'étanchéité sur les faces et les bords du panneau pour le protéger contre l'humidité.

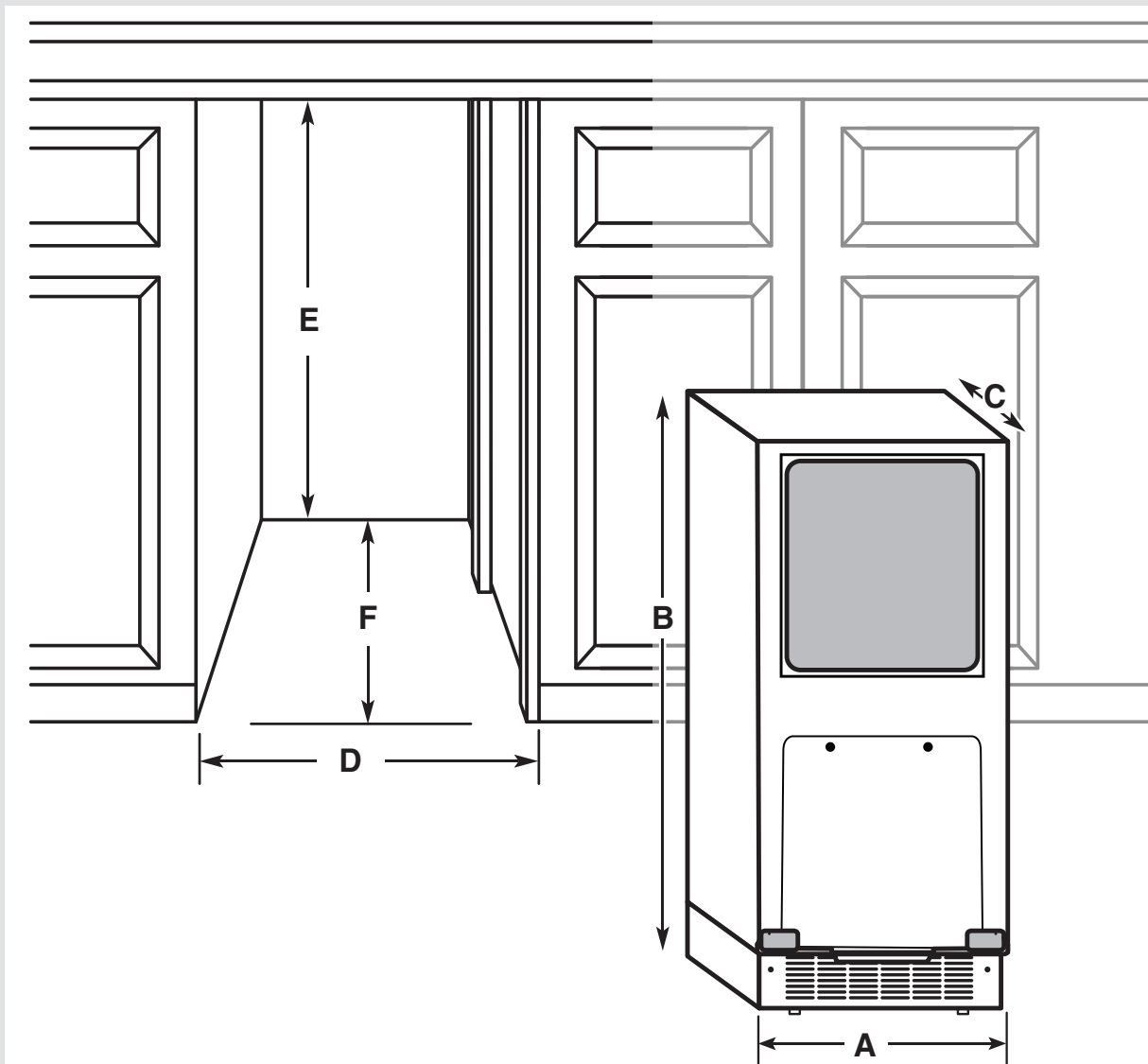
PIÈCES NÉCESSAIRES :

- Instructions, (14) vis à bois à tête plate cruciforme no 8 x 1/2 po
- Trousse de poignées (facultatif)

INSTALLATION DU PANNEAU EN ACIER INOXYDABLE

Pour obtenir les instructions d'installation du panneau en acier inoxydable, consulter les instructions reçues avec la trousse du panneau en acier inoxydable.

PRÉPARATION DU SITE

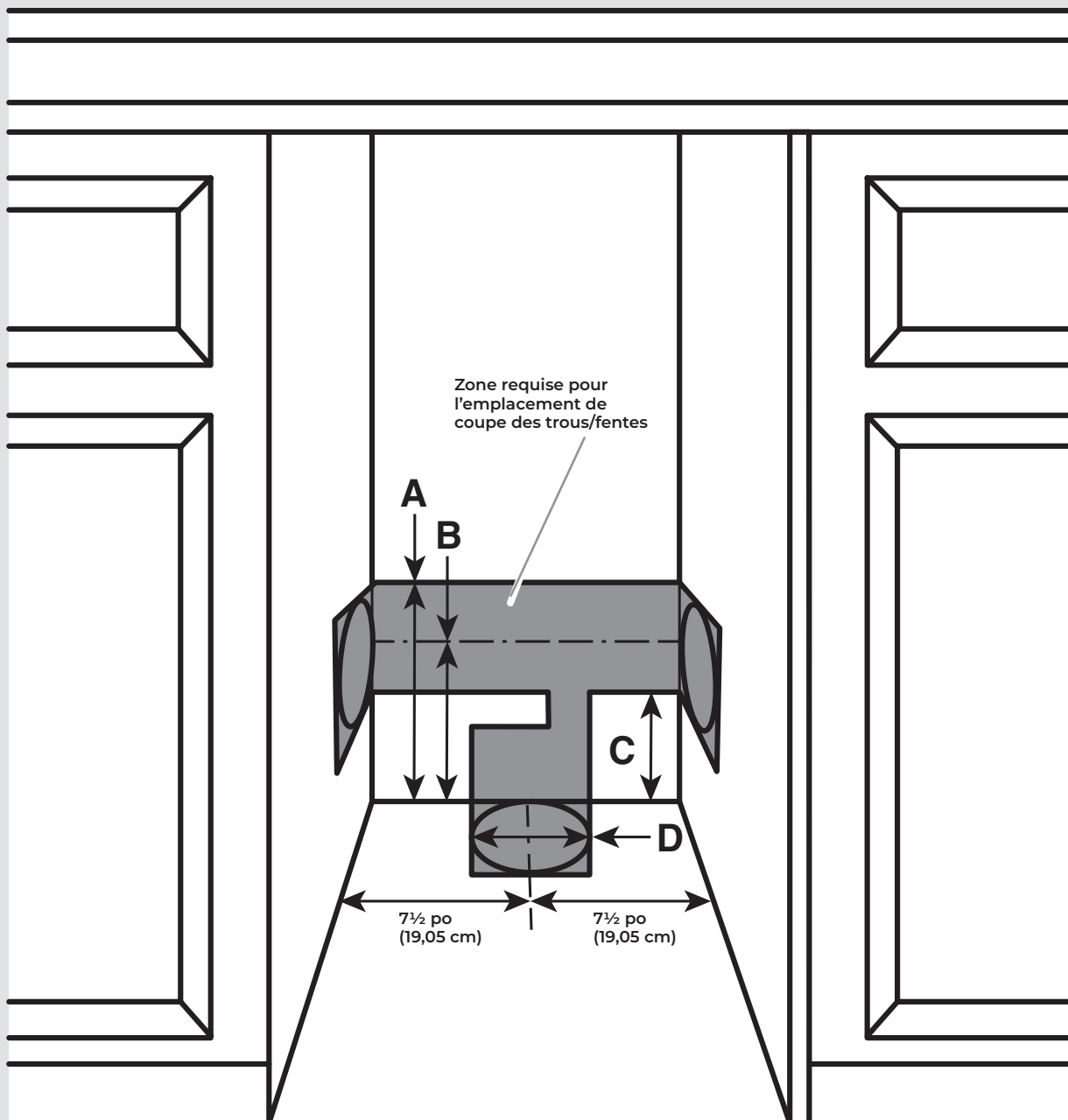


DIMENSIONS DU PRODUIT ET DE L'OUVERTURE

Dimensions du produit		
Largeur du produit	A	14 ⁷ / ₈ po (37,8 cm)
Hauteur du produit	B	33 ³ / ₄ po (85,7 cm)
Profondeur du produit (sans porte)	C	22 ¹ / ₆ po (56,1 cm)

Dimensions de l'ouverture		
Largeur de l'ouverture	D	15 po (38,1 cm)
Hauteur de l'ouverture	E	34 po min (86,4 cm) 34 ¹ / ₂ po max (87,6 cm)
Profondeur de l'ouverture	F	24 po (60,96 cm)

PRÉPARATION DU SITE



EXIGENCES D'EMPLACEMENT

L'installation doit respecter les dispositions de tous les codes et règlements en vigueur.

TEMPÉRATURE

Nous recommandons d'installer la machine à glaçons dans un endroit bien aéré dont la température se situe entre 55 °F (13 °C) et 110 °F (43 °C). Les meilleurs résultats sont obtenus lorsque la température est comprise entre 70 °F et 90 °F (21 °C et 32 °C).

LIEU

La machine à glaçons doit être installée dans un endroit protégé des éléments comme le vent, la pluie et les éclaboussures d'eau.

Pour assurer une bonne aération de votre appareil, l'avant doit être complètement dégagé. La machine à glaçons peut être encastrée sur le dessus et de trois côtés. Cependant, l'installation devrait permettre de retirer la machine à glaçons pour en faire l'entretien (au besoin).

La grille auxiliaire incluse peut être utilisée pour aligner la grille inférieure avec le reste des armoires sans bloquer la ventilation de la machine à glaçons.

Le plancher doit pouvoir supporter le poids total de la machine à glaçons, soit plus de 106 lb (48,08 kg), en plus des panneaux de porte et du contenu de la machine à glaçons. La machine à glaçon doit être de niveau pour fonctionner correctement. Au besoin, il est possible de régler la hauteur de la machine à glaçons en changeant la hauteur des pattes de nivellement.

Vérifier que le cordon d'alimentation électrique, la canalisation d'alimentation en eau et le tuyau de vidange ne sont pas endommagés, déformés ou pincés entre la machine à glaçons et l'armoire.

PRÉPARATION DU SITE

IMPORTANT :

- Cette machine à glaçon a été conçue pour une installation en affleurement dans une zone où l'alimentation en électricité, l'alimentation en eau et le tuyau de vidange sont situés dans l'armoire.
- Pour une installation du produit dont les alimentations et le tuyau de vidange sont situés derrière la machine à glaçons, une installation en affleurement peut ne pas être possible.
- Consultez l'illustration et le tableau "Exigences d'emplacement" suivant pour connaître les emplacements de découpe des entrées d'alimentation et du tuyau de vidange.

Zone d'emplacement des fentes/découpes des alimentations et du tuyau de vidange

Dimension	A	9 po (22,9 cm)
	B	8 po (20,3 cm)
	C	7" (17,8 cm)
Diamètre du trou	D	2" (5 cm)

SPÉCIFICATIONS ÉLECTRIQUES

⚠ AVERTISSEMENT



Risque de choc électrique

Brancher sur une prise à 3 alvéoles reliée à la terre.

Ne pas enlever la broche de liaison à la terre.

Ne pas utiliser un adaptateur.

Ne pas utiliser un câble de rallonge.

Le non-respect de ces instructions peut causer un décès, un incendie ou un choc électrique.

Spécifications électriques

Alimentation électrique	115 V CA à 60 Hz seulement
Disjoncteur	Fusible de 15 à 20 A
Alvéole	Prise à 3 alvéoles reliée à la terre
Prise de courant	Sans disjoncteur de fuite à la terre

IMPORTANT :

- Utiliser une prise de courant dont l'alimentation ne peut pas être interrompue par un interrupteur. Ne pas utiliser de rallonge.
- Nous recommandons que ce produit ne soit pas connecté à une prise protégée par un disjoncteur de fuite à la terre, un déclenchement intempestif peut se produire.
- La machine à glaçons doit être mise à la terre. Cette machine à glaçons est équipée d'un cordon d'alimentation électrique avec fiche à trois broches (liaison à la terre). Le cordon doit être branché à une prise à 3 alvéoles avec mise à la terre respectant le National Electrical Code, ainsi que les réglementations et codes locaux. Si une telle prise n'est pas accessible, le client a la responsabilité de faire installer par un électricien qualifié une prise de courant à trois broches correctement reliée à la terre.

PRÉPARATION DU SITE

SPÉCIFICATIONS DE L'ALIMENTATION EN EAU

Avant de brancher la machine à glaçons, s'assurer que la canalisation d'alimentation en eau est isolée contre le gel. La formation de glace dans les canalisations d'arrivée d'eau peut entraîner une élévation de la pression en eau et endommager la machine à glaçons ou le domicile. La garantie de l'appareil ne couvre pas les dommages imputables au gel de la canalisation d'alimentation en eau.

Utiliser les nouveaux tuyaux fournis avec le produit. Ne pas réutiliser de tuyaux usagés.

Spécifications de l'alimentation en eau	
Pression d'eau	30 à 120 lb/po ² (207 à 827 kPa)
Excédent de canalisation d'eau pour le raccordement	30 po (76,2 cm)
Alimentation en eau	Tuyau en cuivre flexible d'un diamètre extérieur de 1/4 po (6,35 mm)
Pompe de vidange	Avec robinet d'arrêt

IMPORTANT :

- Brancher sur une alimentation en eau potable uniquement.
- Un système de filtration de l'eau par osmose inverse n'est pas recommandé pour les machines à glaçons avec pompe de vidange. Les systèmes de filtration de l'eau par osmose inverse ne devraient être utilisés qu'avec les systèmes de vidange par gravité.
- Raccorder le tuyau de vidange de la machine à glaçons à votre drain de vidange conformément à l'International Plumbing Code et aux codes et règlements locaux.
- Pour obtenir une installation en affleurement, le robinet d'arrêt ne devrait pas être installé dans le mur derrière le réfrigérateur, mais dans un autre endroit facile d'accès.
- Le circuit de vidange doit se terminer dans un puisard ou un tuyau d'évacuation ouvert (pour impossibilité de reflux).
- Dénivellation maximale de 10 pi (3,1 m)
- Longueur maximale de 100 pi (30,5 m)

REMARQUE : Si le tuyau de vidange devient tordu et l'eau ne peut pas se vidanger, votre machine à glaçons ne fonctionnera pas.

ALIMENTATION EN EAU PAR OSMOSE INVERSE

Un système de filtration de l'eau par osmose inverse peut être utilisé, si la pression d'eau sortant du système respecte les exigences.

Si le système par osmose inverse est nécessaire, seul un système capable de fournir toute la maison et d'alimenter de façon constante en eau la machine à glaçons est recommandé. Les systèmes par osmose inverse sur robinet ne sont pas capables de fournir l'alimentation constante en eau requise par la machine à glaçons.

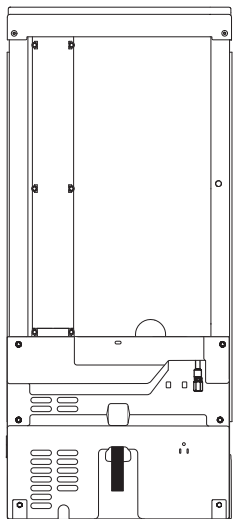
PRÉPARATION DU SITE

SPÉCIFICATIONS DE L'ÉVACUATION

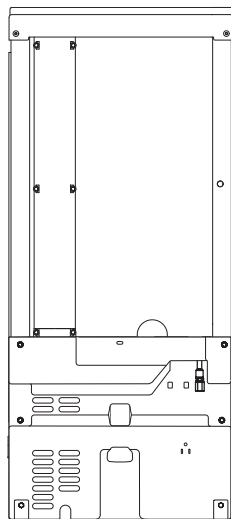
Brancher le drain de la machine à glaçons au drain en respectant les réglementations et codes locaux et provinciaux. Suivre ces lignes directrices lors de l'installation d'une canalisation d'évacuation. Ceci aidera à éviter que l'eau revienne dans le bac d'entreposage de la machine à glaçons. De l'eau qui revient dans la machine à glaçons pourrait se déverser sur le plancher et causer des dommages.

Exigences d'évacuation	
Diamètre intérieur	minimum de 5/8 po (15,88 mm)
Canalisations d'évacuation	Les canalisations d'évacuation doivent avoir une pente de 1 po pour chaque 48 po de longueur (2,54 cm pour chaque 122 cm) ou une pente de 1/4 po pour chaque 12 po de longueur (6,35 mm pour chaque 30,48 cm)

Ne pas raccorder l'extrémité de sortie du tuyau de vidange à un système de canalisation fermé afin d'éviter que l'eau de vidange refoule dans la machine à glaçons.



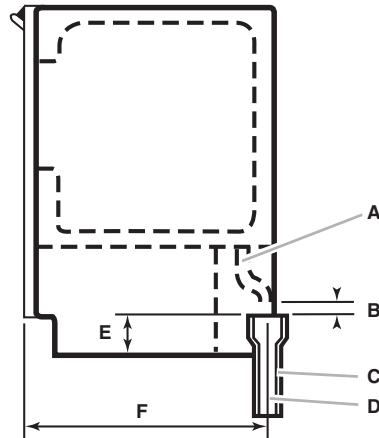
Modèle avec vidange par gravité



Modèle avec pompe de vidange

SYSTÈME DE VIDANGE PAR GRAVITÉ

L'installation idéale comporte un tuyau de rejet à l'égout en PVC de 1 1/2 po (3,81 cm) à 2 po (5,08 cm) installé immédiatement sous la sortie du tube de vidange. Un écart antiretour de 1 po (2,54 cm) doit être maintenu entre le tuyau de la pompe de vidange et le tuyau de rejet à l'égout.



Dimensions du système de vidange par gravité		
Tuyau de vidange	A	
Brise-siphon	B	1 po (2,54 cm)
Réducteur de vidange en PVC	C	2 po à 1 1/2 po (5 cm à 3,8 cm)
Centre du drain	D	23 po (58,4 cm) du devant de la porte, avec ou sans panneau de 3/4 po (1,9 cm) sur la porte, centrer gauche à droite (7 5/16 po [18,56 cm]) de chaque côté de la machine à glaçons.
Du bas de la machine à glaçon au haut du réducteur de vidange en PVC	E	1 7/8 po (4,8 cm)
Profondeur au centre du réducteur de vidange en PVC	F	23" (58,4 cm)

SYSTÈME DE LA POMPE DE VIDANGE

Capacité maximale de la pompe de vidange : Pour chaque 1 pi (0,31 m) d'élévation, soustraire 10 pi (3,1 m) de longueur de fonctionnement maximal.

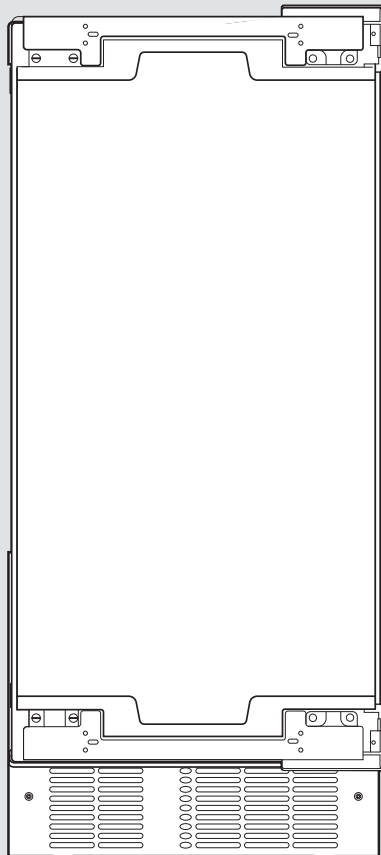
IMPORTANT : Une pompe de vidange est nécessaire lorsqu'on ne dispose pas de drain au plancher. Il est possible d'acheter la trousse de pompe de vidange (numéro de pièce 1901A) au jennair.com/accessories/details/1901A.

REMARQUE : Il sera peut-être souhaitable d'isoler le tuyau de vidange complètement jusqu'à l'entrée du drain de vidange. Il est possible d'acheter la trousse de gaine isolante (numéro de pièce W10365792) au jennair.com/accessories/details/W10365792.

INVERSION DE LA PORTE

! S'il n'est pas nécessaire d'inverser la porte, passer la section "Inversion de la porte".

RETIRER LES
COUVRE-CHARNIÈRE



⚠ AVERTISSEMENT

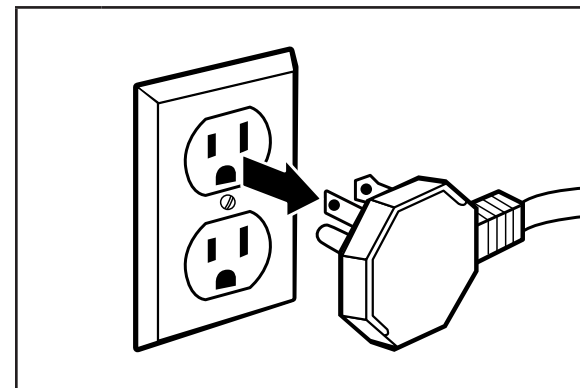


Risque de choc électrique

Déconnecter la source de courant électrique avant l'intervention.

Replacer pièces et panneaux avant de faire la mise en marche.

Le non-respect de ces instructions peut causer un décès ou un choc électrique.



1

Débrancher la machine à glaçons ou déconnecter la source de courant électrique.

⚠ AVERTISSEMENT

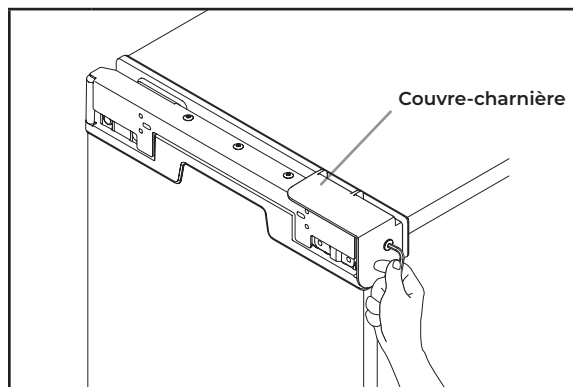


Risque d'écrasement

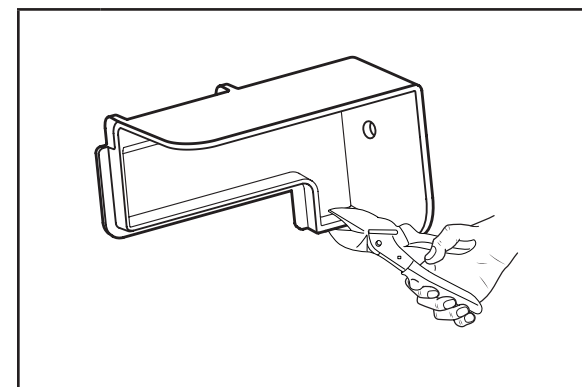
Les charnières articulées sont conçues pour se fermer toutes seules et plusieurs points de pincement existent avant l'installation dans l'armoire.

Ne pas retirer les couvre-charnières avant que le produit ne soit prêt à être installé.

Le non-respect de ces instructions peut causer une blessure par écrasement, coupure ou pincement.



2 Retirer les vis fixant le dessus et le dessous des couvre-charnières en utilisant un tourne-écrou de 3/16 po.

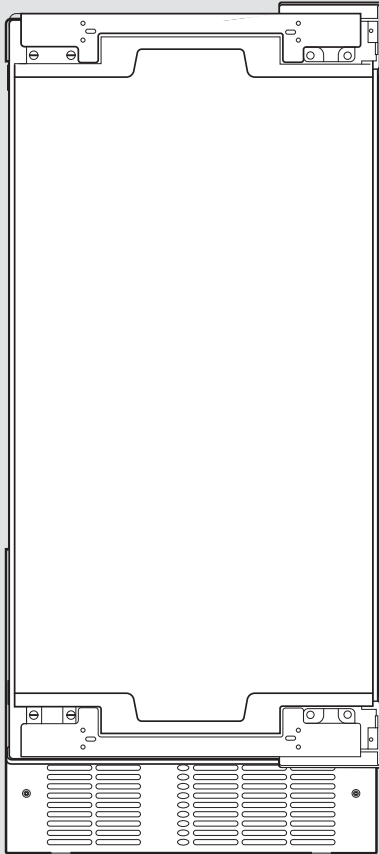


3 À l'aide d'une pince, retirer les couvre-charnières des charnières inférieure et supérieure.

REMARQUE : Conserver les couvre-charnières pour une éventuelle réutilisation future. Réinstaller les couvre-charnières si le produit est retiré de l'installation dans l'armoire.

INVERSION DE LA PORTE

RETIRER LES CHARNIÈRES

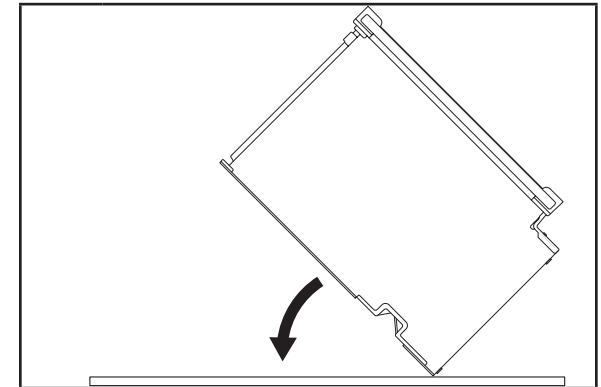


⚠ AVERTISSEMENT

Risque de poids excessif.

Utiliser au moins deux personnes pour déplacer et installer la machine à glaçons.

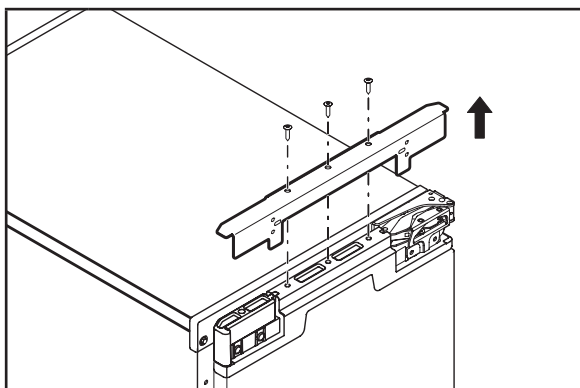
Le non-respect de cette instruction peut entraîner une blessure au dos ou d'autres blessures.



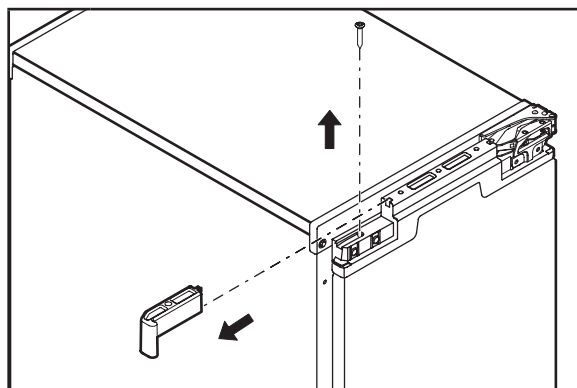
1

Déposer la machine à glaçons comme illustré. Pour éviter d'endommager le plancher, bien le recouvrir de carton ou de contreplaqué.

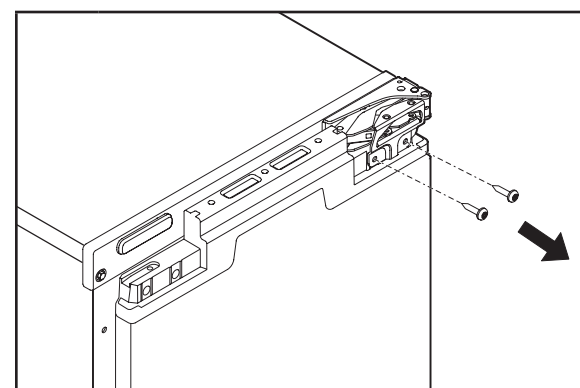
INVERSION DE LA PORTE



2 Retirer les vis et la bride métallique du haut en utilisant un tournevis cruciforme. Les garder de côté.



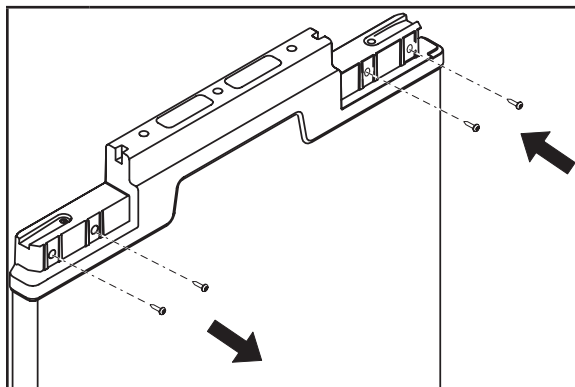
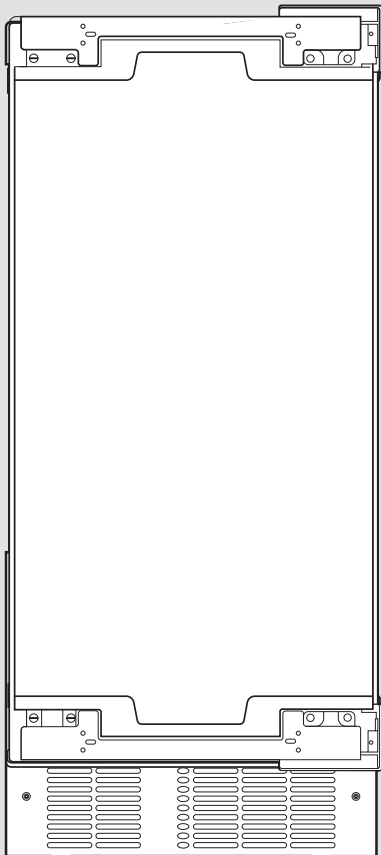
3 Retirer les vis des embouts du haut et du bas en utilisant un tournevis cruciforme. Les retirer et les conserver pour plus tard.



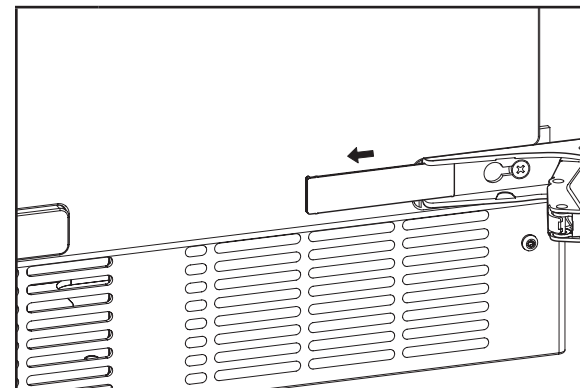
4 À l'aide d'un tournevis Torx T25, dévisser complètement les vis des charnières de porte supérieure et inférieure et les conserver pour plus tard.

INVERSION DE LA PORTE

RETRAIT DES CHARNIÈRES (SUITE)

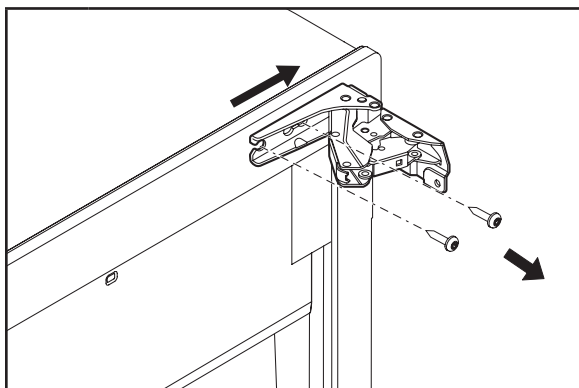


5 Retirer la porte et le conserver à part.
Placer les vis de charnières sur le côté opposé.

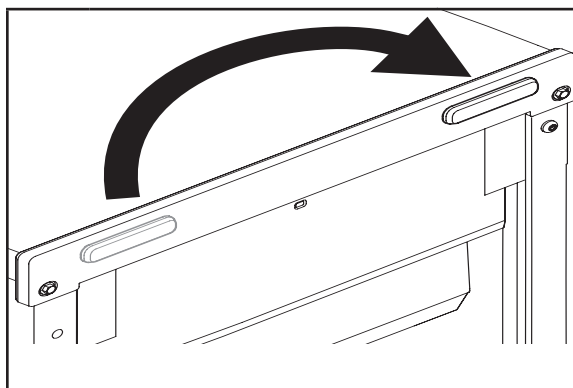


6 Retirer le couvercle en plastique de vis
situé à l'intérieur des charnières et les
conserver pour plus tard.

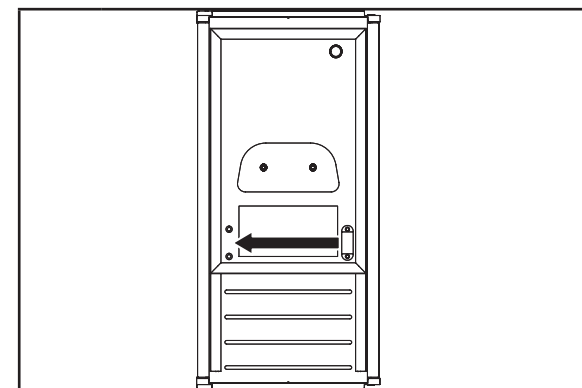
INVERSION DE LA PORTE



7 Retirer les vis et charnières du cabinet en utilisant un tournevis Torx T25 et les mettre de côté pour plus tard.



8 Retirer les capuchons de vis et les remettre de l'autre côté.



9 Placer le loquet de porte magnétique de l'autre côté.

⚠ AVERTISSEMENT



Risque d'écrasement

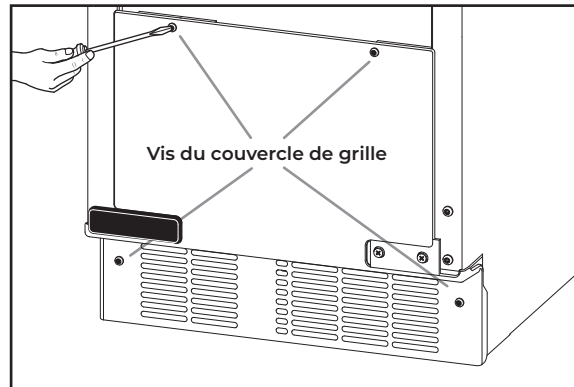
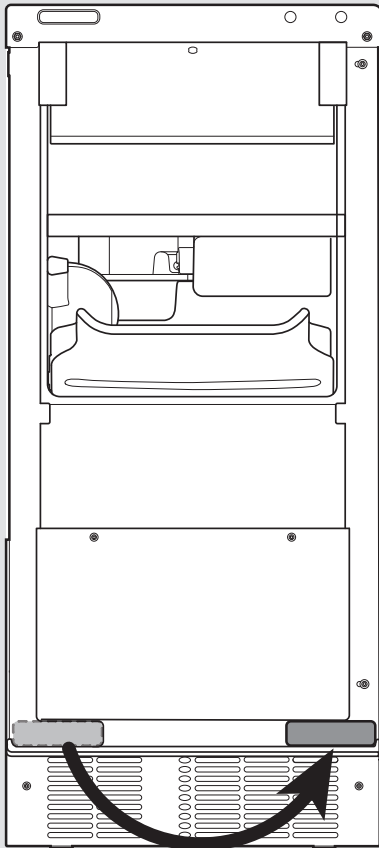
Les charnières articulées sont conçues pour se fermer toutes seules et plusieurs points de pincement existent avant l'installation dans l'armoire.

Ne pas ouvrir ou fermer les charnières lorsqu'elles sont enlevées de la machine à glaçons.

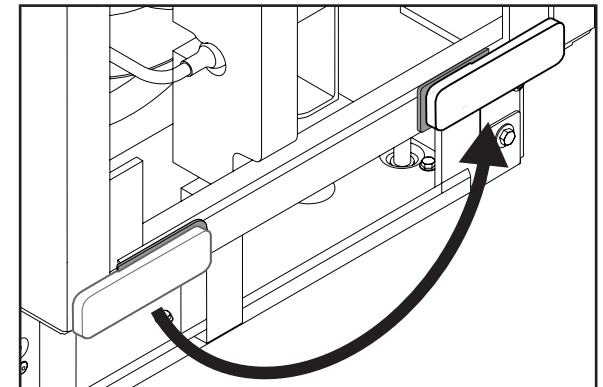
Le non-respect de ces instructions peut causer une blessure par écrasement, coupure ou pincement.

INVERSION DE LA PORTE

PRÉPARER LES CHARNIÈRES DU BAS

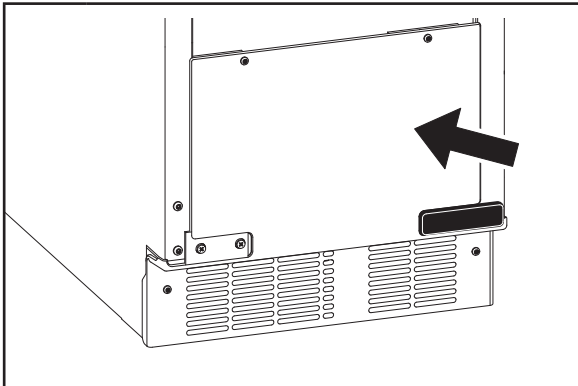


1 Dévisser et enlever le couvercle de grille en utilisant un tournevis TORX T20. Les garder de côté.



2 Retirer le capuchon de vis et le placer de l'autre côté comme indiqué dans l'illustration.

INVERSION DE LA PORTE

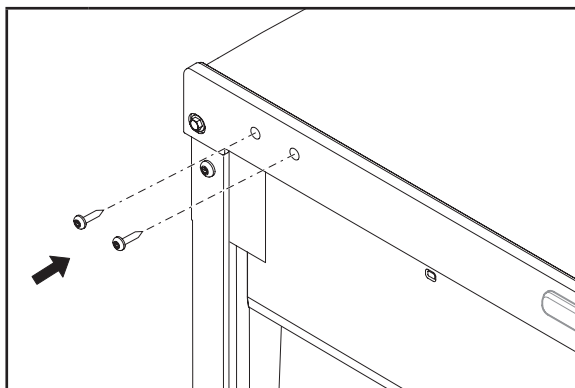
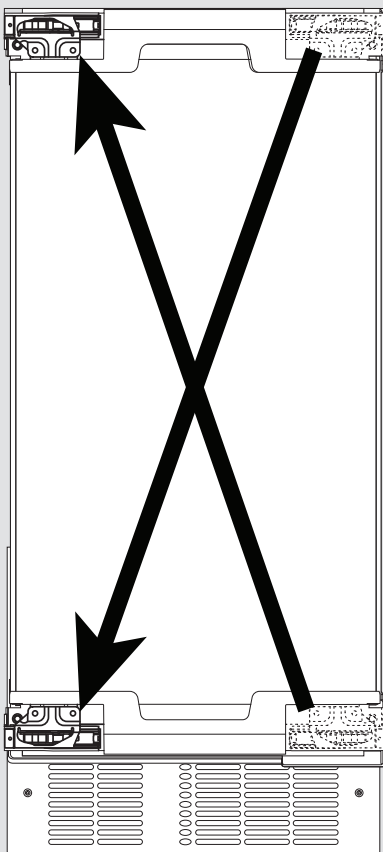


3

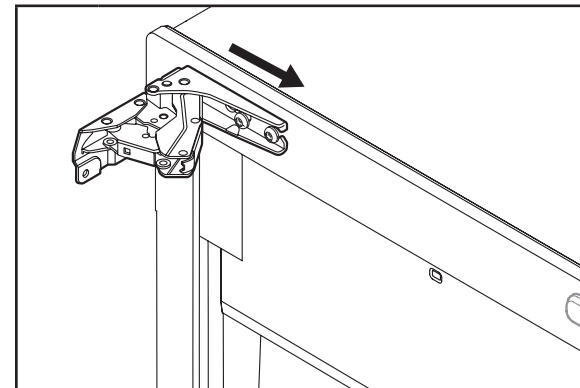
Réinstaller le couvercle de grille.

INVERSION DE LA PORTE

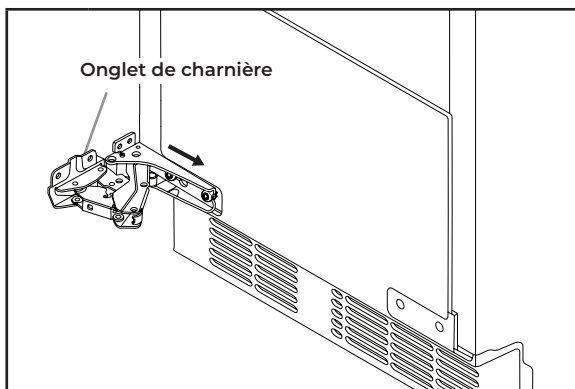
INVERSER DES CHARNIÈRES



1 Visser à moitié les vis de charnières (mises de côté à l'étape 7 du point "Préparer les charnières du bas") sur le côté désiré.



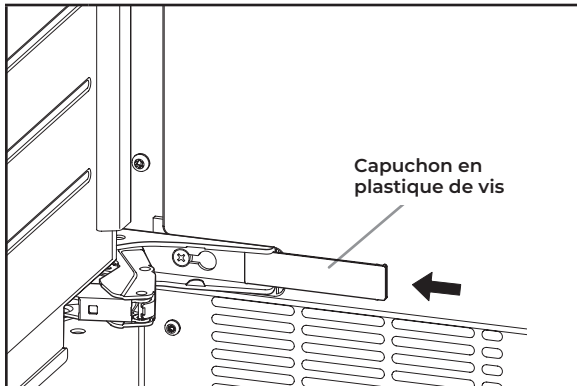
3 Prendre la charnière inférieure d'origine, la faire pivoter et la placer à la position de la charnière supérieure du côté opposé. La glisser sur les vis de charnière.



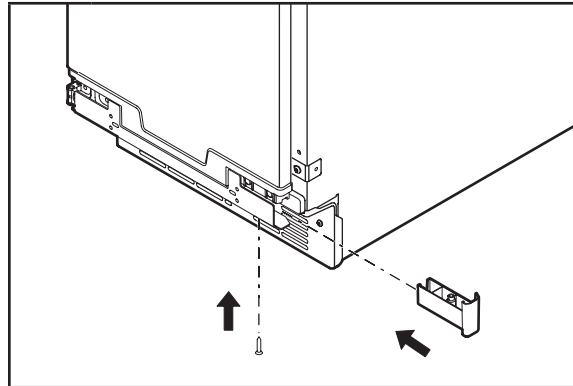
2 Prendre la charnière supérieure d'origine, la faire pivoter et la placer à la position de la charnière inférieure du côté opposé. La glisser sur les vis de charnière. Les onglets de la charnière devraient toujours faire face vers les uns vers les autres.

4 Serrer complètement les vis des charnières supérieure et inférieure.

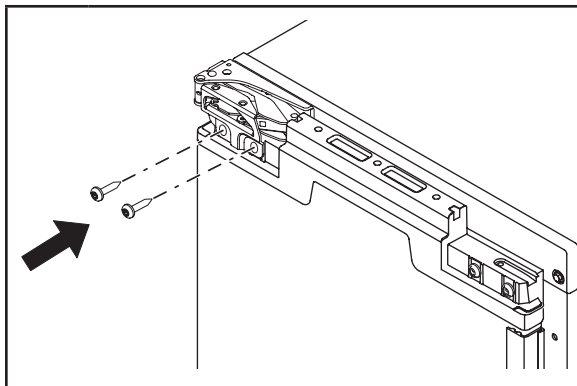
INVERSION DE LA PORTE



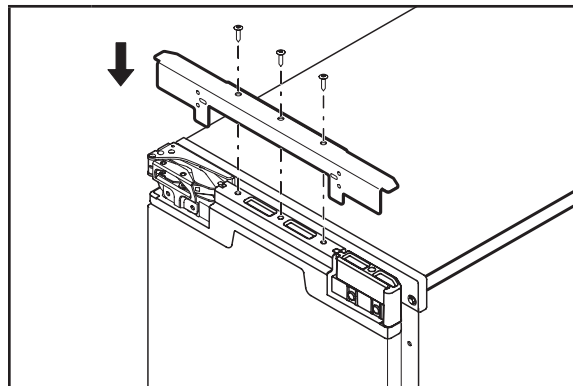
5 Replacer les capuchons de vis en plastique aux emplacements d'origine sur les charnières.



7 Réinstaller les embouts du haut et du bas sur la porte (le capuchon supérieur de droite est maintenant dans la position inférieure gauche et vice-versa).
REMARQUE : Pour l'installation d'un panneau de bois personnalisé, passer cette étape.



6 Glisser la porte sur les charnières. À l'aide d'un tournevis Torx T25, placer les vis (retirées à l'étape 6 de la section "Retirer les charnières") sur la porte.



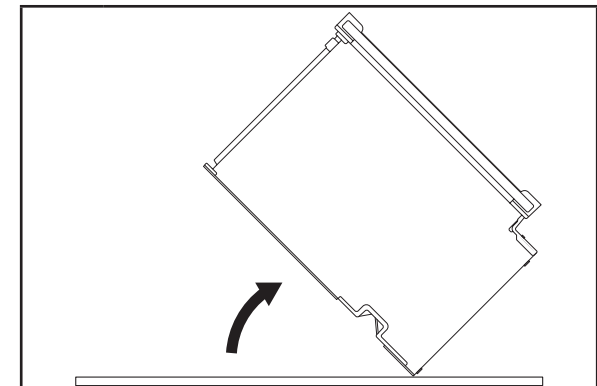
8 Réinstaller la bride métallique sur le haut de la porte.
REMARQUE : Pour l'installation du panneau en acier inoxydable, passer cette étape.

⚠ AVERTISSEMENT

Risque de poids excessif.

Utiliser au moins deux personnes pour déplacer et installer la machine à glaçons.

Le non-respect de cette instruction peut entraîner une blessure au dos ou d'autres blessures.

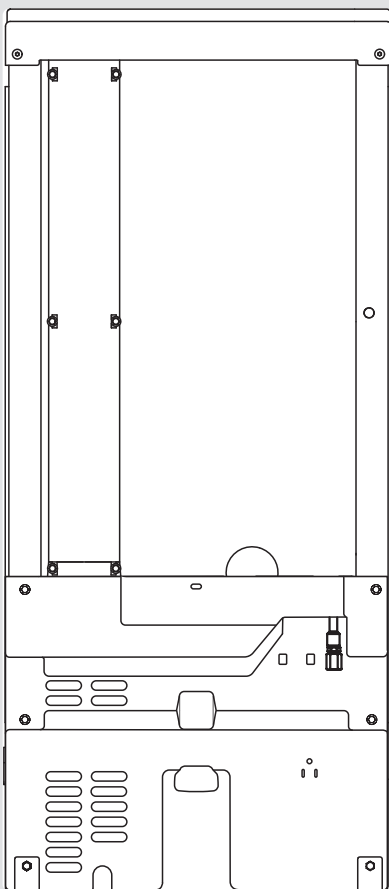


9 Remettre la machine à glaçon debout.

INVERSION DE LA PORTE

INSTALLATION

INSTALLATION DE LA POMPE DE VIDANGE – PRÉPARATION DU SITE



! Si la machine à glaçons n'est pas raccordée à une alimentation en eau, passer cette section et poursuivre à la section "Installation de la pompe de vidange et du tuyau d'évacuation".

REMARQUES :

- Raccorder la pompe de vidange au drain en respectant les réglementations et codes locaux et provinciaux.
- L'isolation du tube de vidange jusqu'à la sortie de vidange pourrait être nécessaire pour réduire la condensation dans le tube de vidange. Il est possible d'acheter une trousse d'isolation de tube (numéro de pièce W10365792).
- La pompe de vidange est conçue pour pomper de l'eau jusqu'à une hauteur de 10 pi (3 m). N'utiliser que la trousse de pompe de vidange approuvée par Whirlpool (numéro de pièce 1901A).
- Ne pas raccorder l'extrémité de sortie du tuyau de vidange à un système de canalisation fermé afin d'éviter que l'eau de vidange refoule dans la machine à glaçons.

Contenu de la trousse :

- Trousse de pompe de vidange (numéro de pièce 1901A)
- Tube de vidange de 5/8 po de diamètre intérieur par 5 1/8 po (du bac à glaçons vers l'entrée du réservoir de la pompe de vidange)
- Tube de vidange de 1/2 po de diamètre intérieur x 10 pi (3 m) (du tuyau d'évacuation de la pompe de vidange au drain de la maison)
- Tube de ventilation de 5/16 po de diamètre intérieur x 32 po (81 cm) (du tube de ventilation du réservoir de la pompe de vidange à l'arrière de la machine à glaçons)
- (1) attache mono-usage (pour fixer le tube de ventilation au dos du tube d'aération)
- (5) vis de montage de la pompe no 8-32 x 3/8 po (pour fixer la pompe de vidange à la plaque de base et aux brides du dos de la machine à glaçons)

- Petite bride de tuyau réglable de 5/8 po (pour fixer le tuyau de ventilation à la pompe de vidange)
- (3) grande bride de tuyau réglable de 7/8 po (pour fixer le tuyau de vidange au bac de la machine à glaçons et au réservoir de la pompe de vidange)
- Fiche d'instructions

Si la machine à glaçons est déjà installée

⚠ AVERTISSEMENT



Risque de choc électrique

Déconnecter la source de courant électrique avant l'entretien.

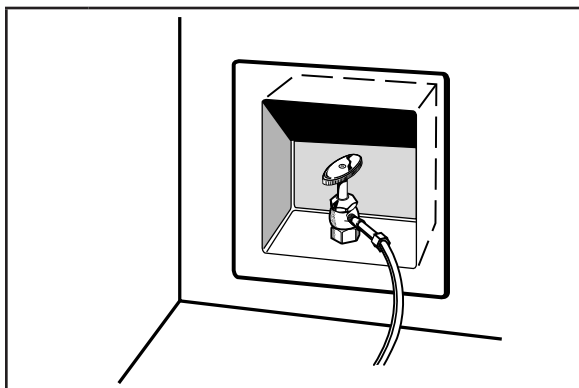
Replacer pièces et panneaux avant de faire la remise en marche.

Le non-respect de ces instructions peut causer un décès ou un choc électrique.

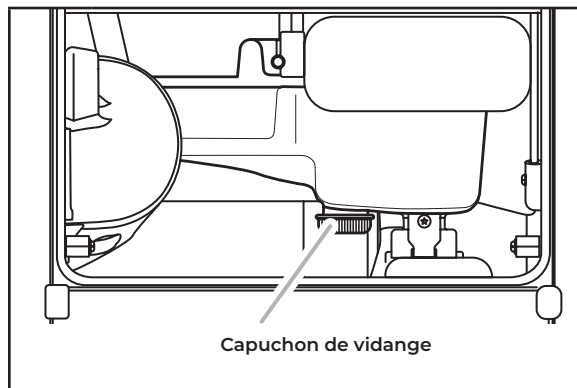
1

Appuyer sur le bouton OFF (arrêt) pour arrêter la production de glaçons. Débrancher ensuite la machine à glaçons ou couper l'alimentation.

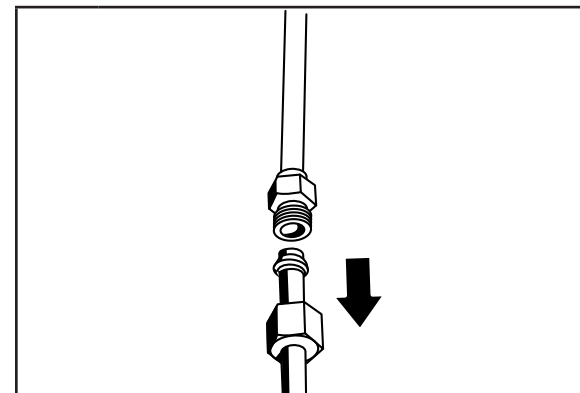
INSTALLATION



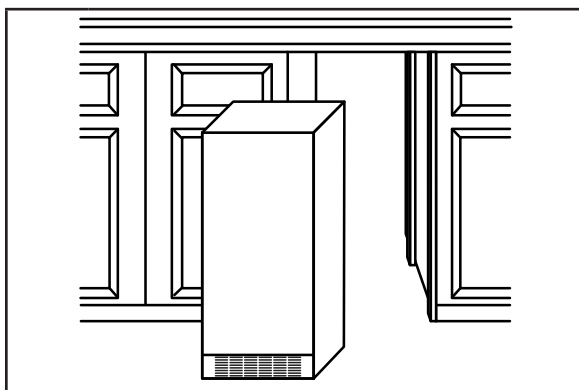
2 Fermer l'alimentation en eau. Attendre de 5 à 10 minutes que les glaçons tombent dans le bac d'entreposage. Enlever les glaçons du bac d'entreposage.



4 Dévisser le bouchon de vidange du dessous du bac à eau situé à l'intérieur du bac d'entreposage. Laisser l'eau s'écouler entièrement.



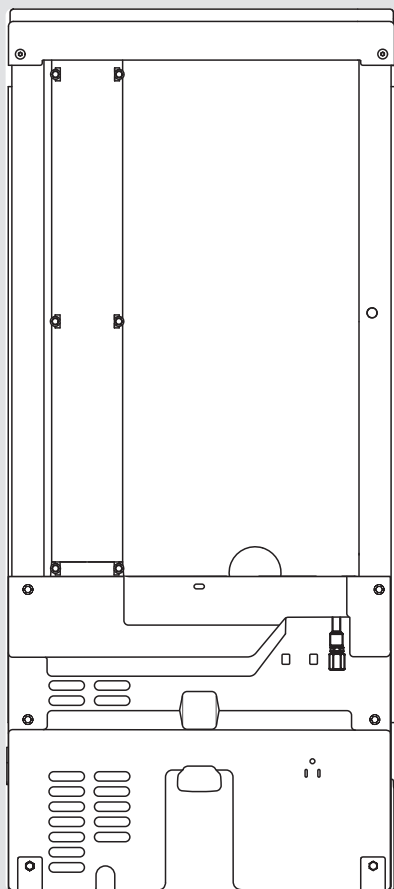
5 Débrancher la canalisation d'alimentation en eau.



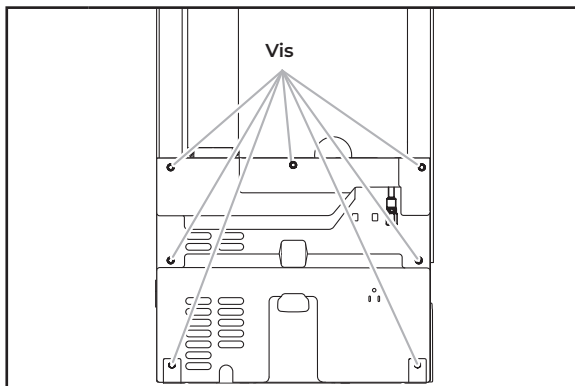
3 Si la machine à glaçons est installée dans une armoire, la retirer de l'ouverture.

INSTALLATION

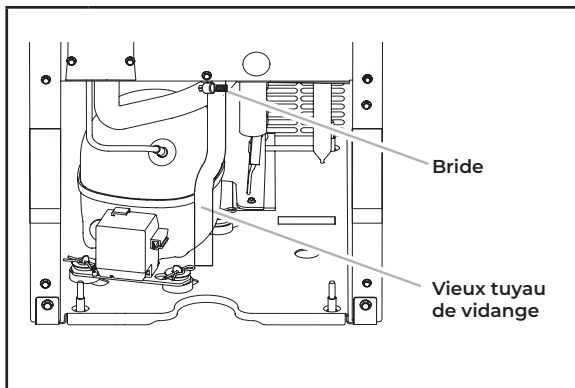
INSTALLATION DE LA POMPE DE VIDANGE ET DU TUYAU D'ÉVACUATION



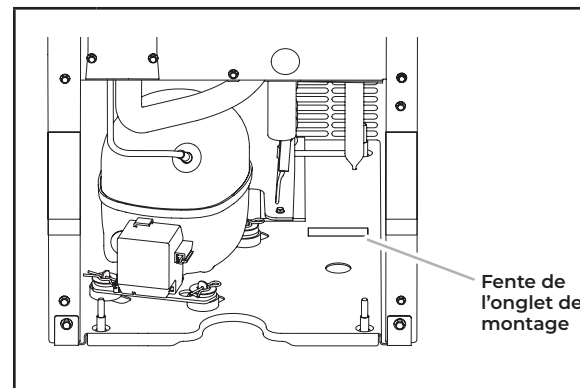
REMARQUE : Ne pas plier, écraser ou endommager les tubes et câbles pendant l'installation.



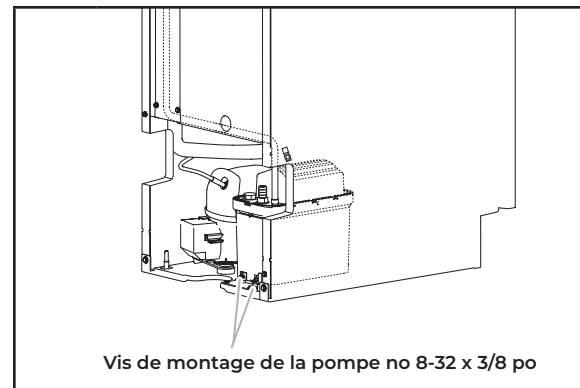
1 Dévisser les vis fixant le panneau arrière à la machine à glaçons. Retirer les vis et le panneau arrière, puis les mettre de côté. Pour les modèles avec pompe, passer à l'étape 12.



2 Enlever le vieux tube de vidange et la bride fixée au bac de la machine à glaçons.
REMARQUE : Jeter le vieux tube de vidange et sa bride.

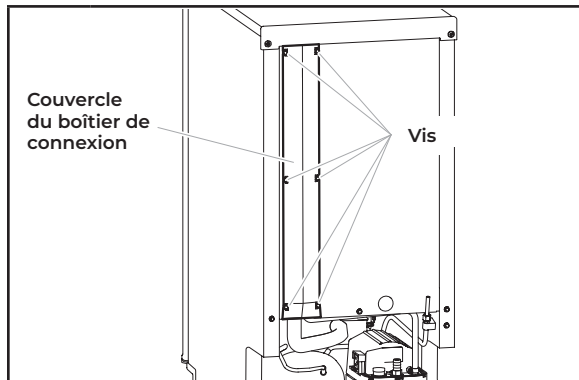


3 Installer la pompe de vidange sur le côté droit de la base de la machine à glaçons. Incliner légèrement la pompe de vidange pour faire glisser l'onglet de montage dans la fente de l'onglet de montage.

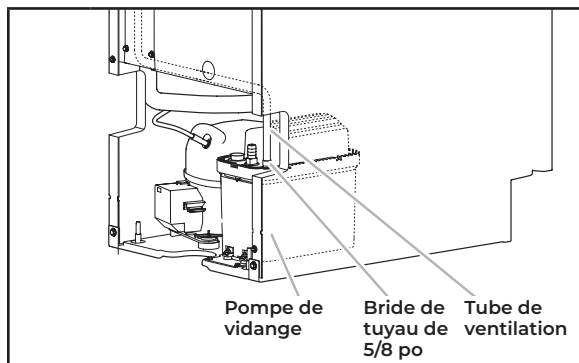


4 Aligner les deux trous de vis situés à l'arrière de la pompe. Utiliser deux vis no 8-32 x 3/8 po incluses pour fixer la pompe à la base de la machine à glaçons.

INSTALLATION



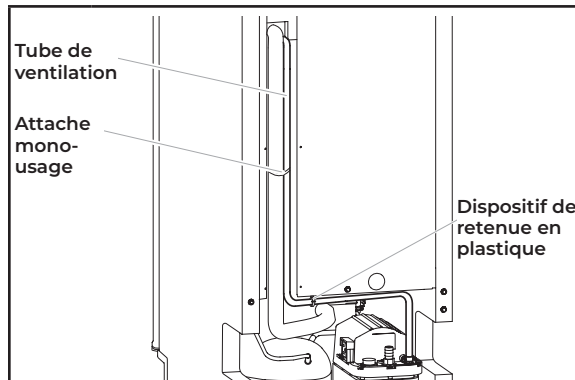
5 Dévisser les vis fixant le couvercle du boîtier de connexion à la machine à glaçons et enlever le couvercle du boîtier de connexion. Placer les vis et le couvercle du boîtier de connexion à part.



6 Installer le tube de ventilation (5/16 po de diamètre intérieur x 32 po [81 cm]) à la ventilation du réservoir de la pompe de vidange. Utiliser l'une des petites brides réglables incluses de 5/8 po.

REMARQUE :

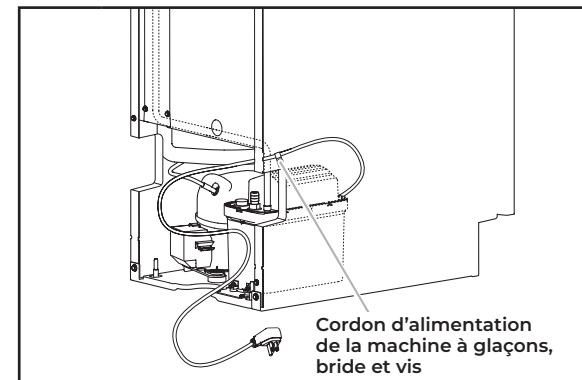
- Ne pas bloquer le débit d'air du tube de ventilation en serrant trop l'attache mono-usage.



7 Placer le tube de ventilation dans le dispositif de retenue en plastique comme indiqué dans l'illustration. À l'aide d'une attache mono-usage, fixer le tube de ventilation au dos du tube d'aération et des câbles situés derrière le couvercle du boîtier de connexion. Réinstaller le couvercle du boîtier de connexion et les vis.

REMARQUE :

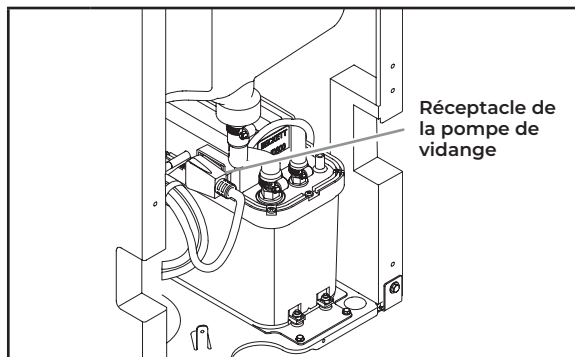
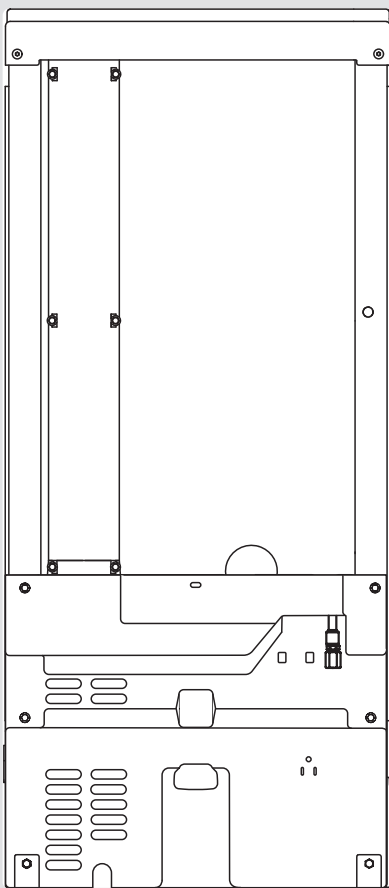
- Ne pas trop serrer le tube de ventilation, cela pourrait bloquer la circulation d'air dans le tuyau.



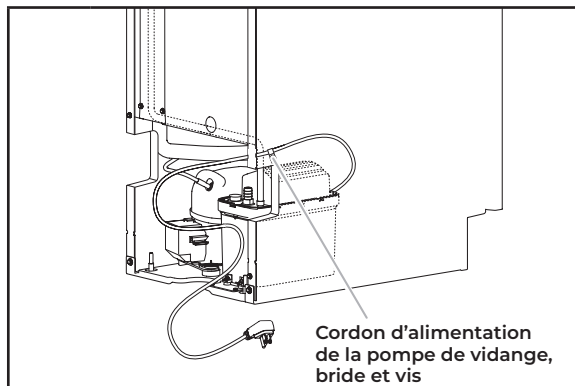
8 Dévisser et retirer la bride du cordon d'alimentation située sur la paroi latérale de la machine à glaçons.

INSTALLATION

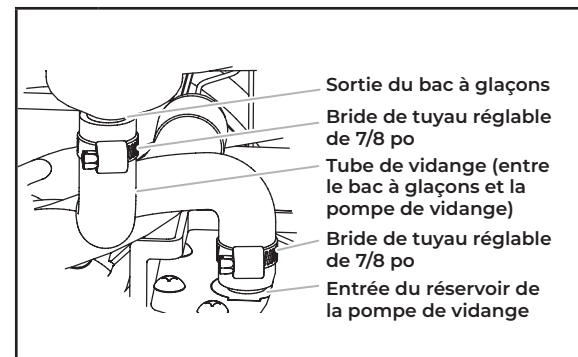
INSTALLATION DE LA POMPE DE VIDANGE ET DU TUYAU D'ÉVACUATION (SUITE)



9 Enrouler le cordon d'alimentation de la machine à glaçons pour créer un rouleau de 4 po (10,2 cm). Fixer le cordon enroulé à l'aide de ruban électrique ou d'une attache mono-usage. Placer le cordon d'alimentation comme indiqué dans l'illustration et le brancher dans la prise de la pompe de vidange.



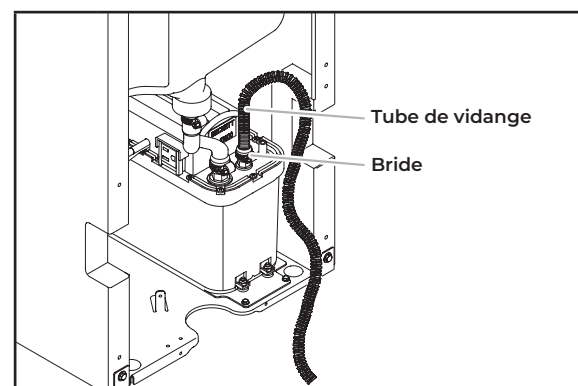
10 Fixer le cordon d'alimentation de la pompe de vidange sur la paroi latérale de la machine à glaçons en utilisant la bride et la vis (enlevées à l'étape 7).



11 Un nouveau tube de vidange est fourni avec la pompe de vidange. Installer le nouveau tube de vidange entre la sortie du bac à glaçons et l'entrée du réservoir de la pompe de vidange en utilisant les nouvelles brides ajustables.

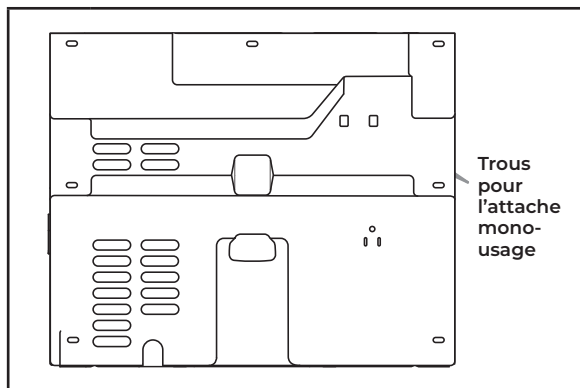
REMARQUES :

- Ne pas plier le tube.
- Au besoin, couper à la bonne longueur.

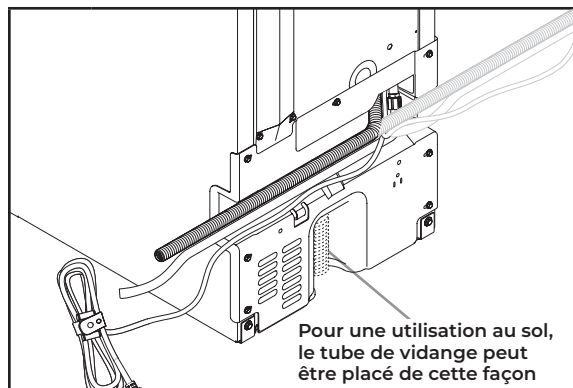


12 Fixer le tube de vidange au tube de vidange de la pompe en utilisant la bride fournie.

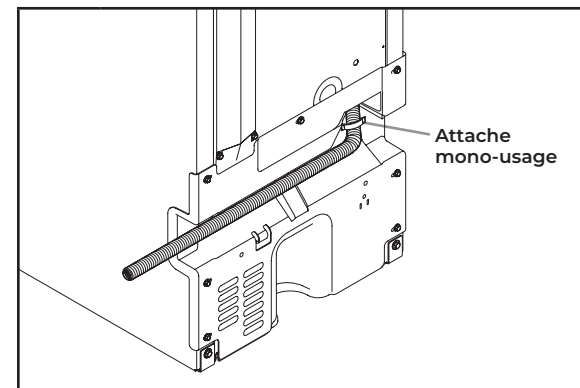
INSTALLATION



13 Installer l'attache mono-usage sur le panneau arrière en la passant par les deux trous situés sur le panneau arrière.



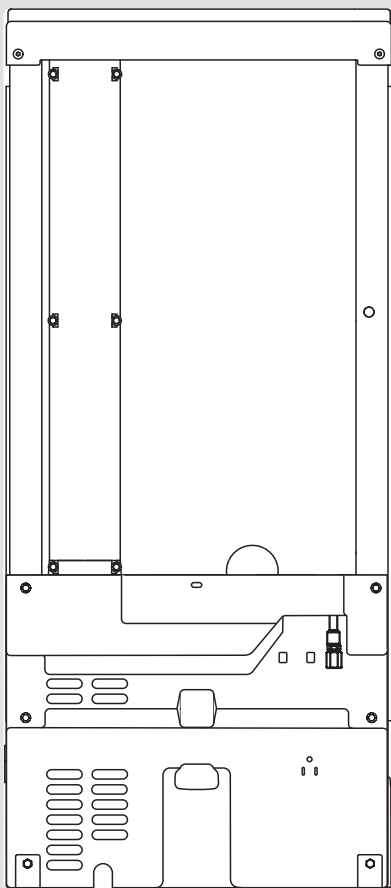
14 Acheminer le tube de vidange, le cordon d'alimentation et le tuyau d'alimentation en eau de la pompe de vidange par la fente du panneau arrière de la machine à glaçons. Réinstaller le panneau arrière et les vis.



15 À l'aide d'une attache mono-usage, fixer le tube de vidange au panneau arrière comme illustré.

INSTALLATION

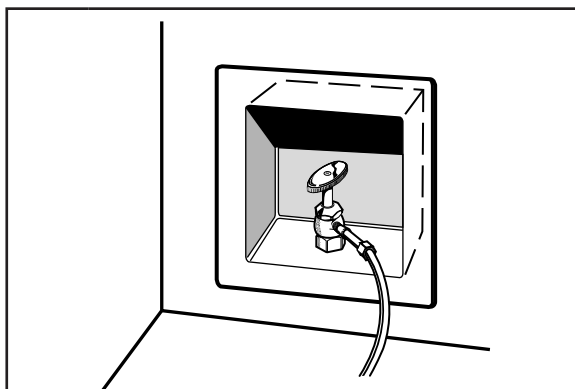
RACCORDEMENT À LA CANALISATION D'EAU



IMPORTANT :

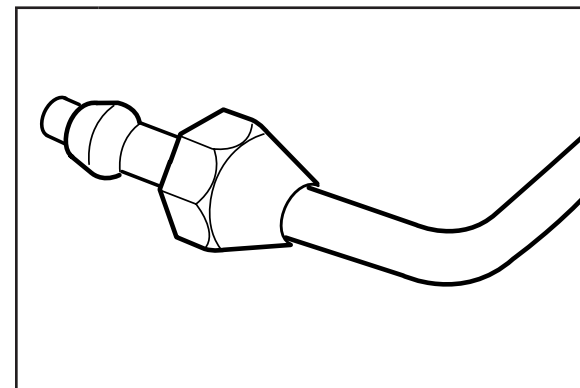
- Réaliser l'installation de plomberie conformément aux exigences du International Plumbing Code et des normes et codes locaux en vigueur.
- Utiliser un tuyau en cuivre ou la canalisation d'alimentation de JennAir (numéro de pièce 8212547RP) et vérifier qu'il n'y a pas de fuites.
- Installer des tuyaux seulement là où les températures resteront au-dessus du point de congélation.

Couper l'alimentation principale en eau. Ouvrir le robinet le plus proche assez longtemps pour vider l'eau du tuyau.



1

À l'aide d'une canalisation d'entrée d'eau en cuivre d'un minimum de 1/2 po et d'un robinet d'arrêt quart de tour ou équivalent, raccorder la machine à eau comme indiqué.



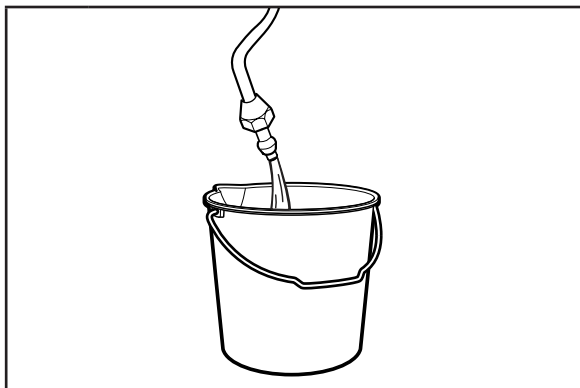
2

Utiliser un tuyau en cuivre flexible d'un diamètre extérieur de 1/4 po (6,35 mm) ou un tuyau d'eau pour réfrigérateur approuvé par Whirlpool pour l'alimentation en eau froide. Enfiler la bague de compression et l'écrou sur le tube en cuivre. S'assurer d'avoir la longueur nécessaire pour une installation correcte.

3

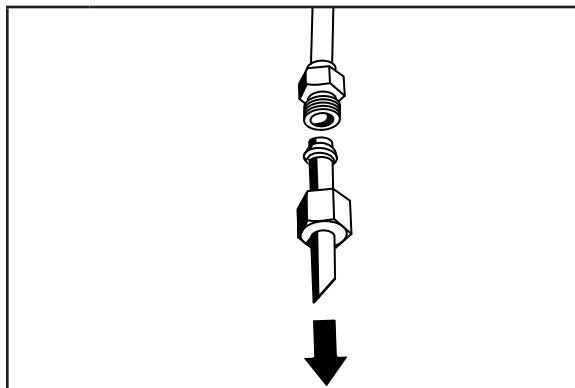
Passer le tuyau par les armoires vers la découpe effectuée pour la machine à glaçons. S'assurer que le tuyau d'entrée d'eau dépasse de 30 po derrière les armoires pour permettre les entretiens futurs.

INSTALLATION

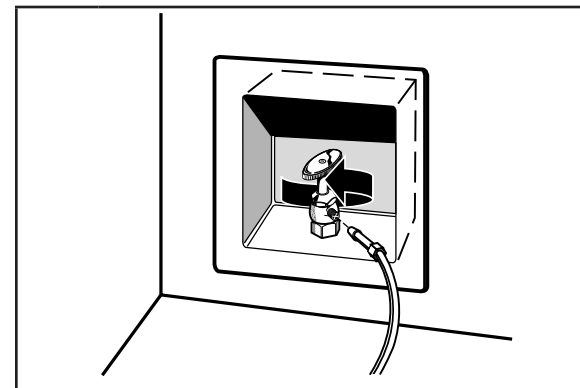


4 Vidanger le tuyau en plaçant l'extrémité libre dans un contenant ou un évier et en rétablissant l'alimentation principale en eau jusqu'à ce que l'eau sorte propre. Fermer le robinet d'arrêt sur le tuyau d'alimentation en eau.

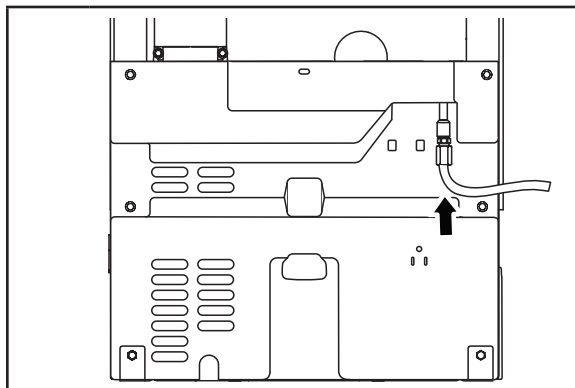
IMPORTANT : Toujours vidanger le tuyau d'alimentation en eau avant de faire le raccordement final sur l'entrée du robinet pour éviter tout mauvais fonctionnement éventuel du robinet.



5 Retirer et jeter le petit tube de plastique de l'extrémité du point d'entrée de la canalisation d'eau.



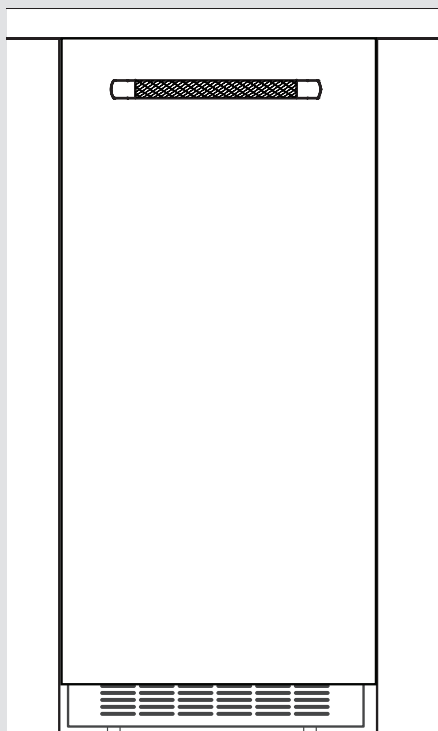
7 Ouvrir le robinet d'arrêt. Vérifier qu'il n'y a pas de fuite. Serrer tous les raccords (y compris les raccords du robinet) ou les écrous qui présentent des fuites.



6 Insérer en ligne droite l'extrémité du tuyau aussi profondément que possible dans l'extrémité de sortie. Visser l'écrou de compression sur l'extrémité de sortie du raccord à l'aide d'une clé à molette. Serrer l'écrou manuellement. Ensuite, serrer deux tours de plus avec une clé. Ne pas serrer excessivement.

INSTALLATION

METTRE DE NIVEAU ET SÉCURISER

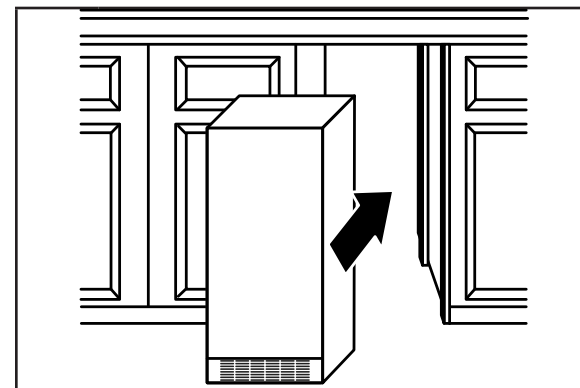


⚠ AVERTISSEMENT

Risque de poids excessif.

Utiliser au moins deux personnes pour déplacer et installer la machine à glaçons.

Le non-respect de cette instruction peut entraîner une blessure au dos ou d'autres blessures.



1

Déplacer la machine à glaçons en face de son emplacement final. Pour éviter d'endommager le plancher, bien le recouvrir de carton ou de contreplaqué.

⚠ AVERTISSEMENT

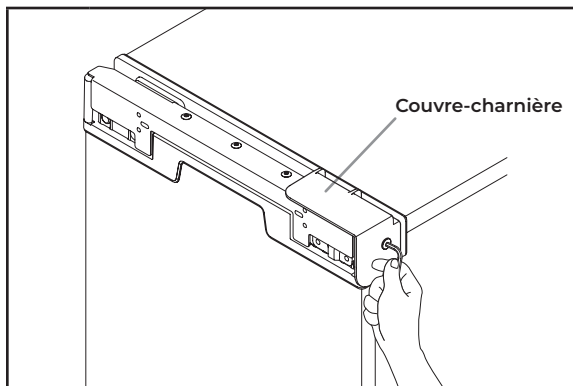


Risque d'écrasement

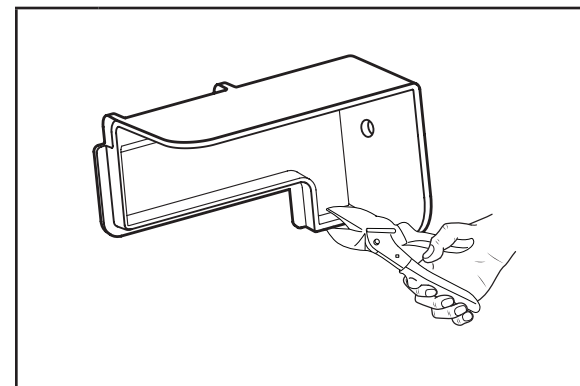
Les charnières articulées sont conçues pour se fermer toutes seules et plusieurs points de pincement existent avant l'installation dans l'armoire.

Ne pas retirer les couvre-charnières avant que le produit ne soit prêt à être installé.

Le non-respect de ces instructions peut causer une blessure par écrasement, coupure ou pincement.



2 Retirer les vis fixant le dessus et le dessous des couvre-charnières en utilisant un tourne-écrou de 3/16 po.

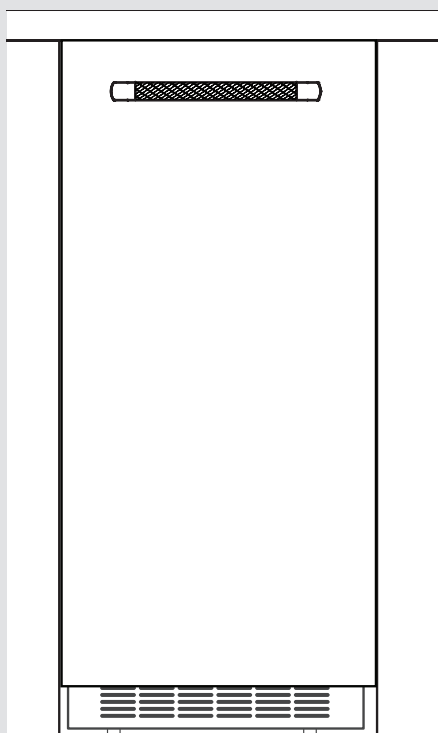


3 À l'aide d'une pince, retirer les couvre-charnières des charnières inférieure et supérieure.

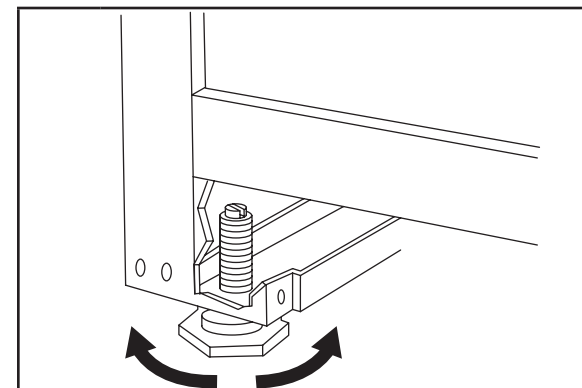
REMARQUE : Conserver les couvre-charnières pour une éventuelle réutilisation future. Réinstaller les couvre-charnières si le produit est retiré de l'installation dans l'armoire.

INSTALLATION

METTRE DE NIVEAU ET SÉCURISER (SUITE)



- 4** Installer le panneau de porte en suivant les instructions de la section "Panneau de porte en bois personnalisé" ou les instructions reçues avec le panneau en acier inoxydable comprises dans cette trousse.



- 5** Utiliser les pieds de nivellement pour aligner la porte de la machine à glaçons avec l'ouverture de l'armoire adjacente.

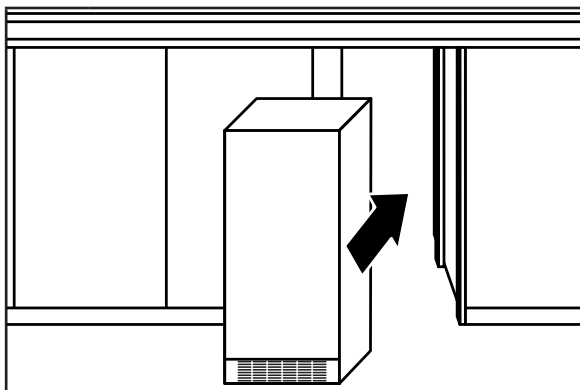
⚠ AVERTISSEMENT

Risque de poids excessif.

Utiliser au moins deux personnes pour déplacer et installer la machine à glaçons.

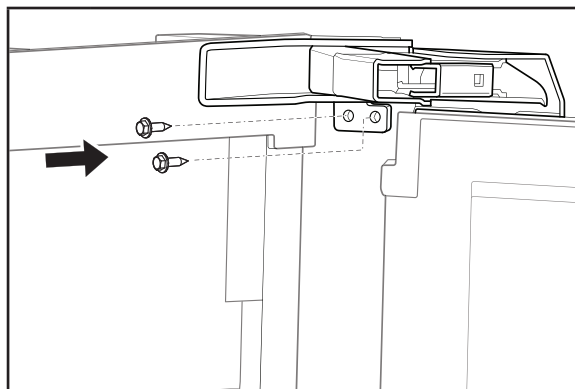
Le non-respect de cette instruction peut entraîner une blessure au dos ou d'autres blessures.

INSTALLATION

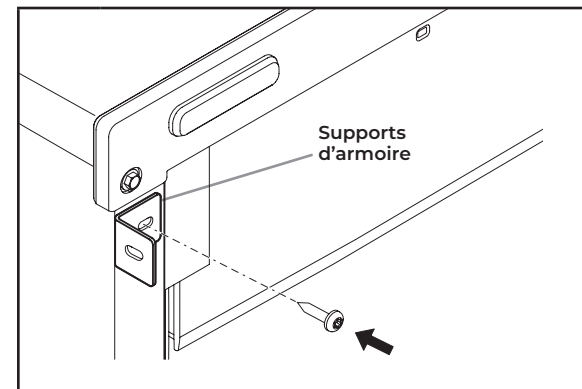


6 Glisser la machine à glaçons dans l'armoire tout en faisant attention aux positions des connexions à l'arrière de la machine à glaçons. Pour éviter d'endommager le plancher, bien le recouvrir de carton ou de contreplaqué.

IMPORTANT : Pour une installation en affleurement, les connexions à la machine à glaçons doivent passer par la fente du panneau arrière de la machine à glaçons.



7 S'assurer que la machine à glaçon est à la bonne profondeur. Fixer les charnières du haut et du bas sur le côté de l'armoire en utilisant des vis à bois.

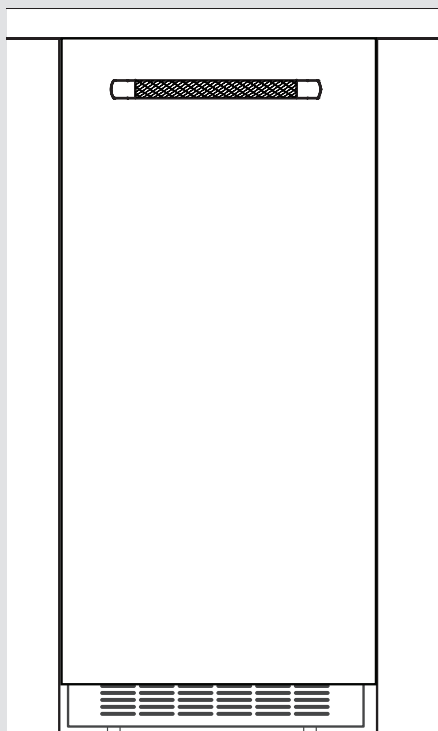


8 Fixer les supports d'armoire (inclus avec la machine à glaçons) aux trous à l'avant de la machine à glaçons comme illustré. Fixer les charnières d'armoire sur le côté de l'armoire en utilisant des vis à bois.

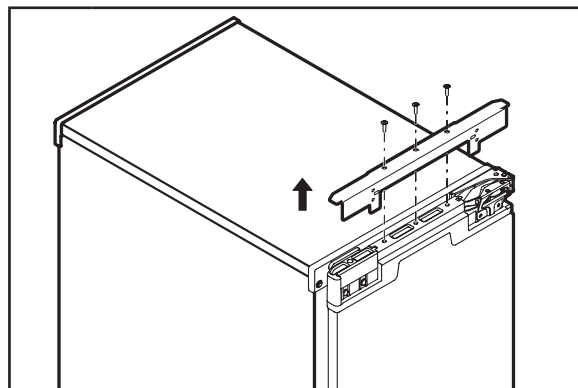
REMARQUE : Pour l'installation du panneau de bois personnalisé, continuer l'installation à l'étape 6 "Installation du panneau de bois personnalisé".

INSTALLATION

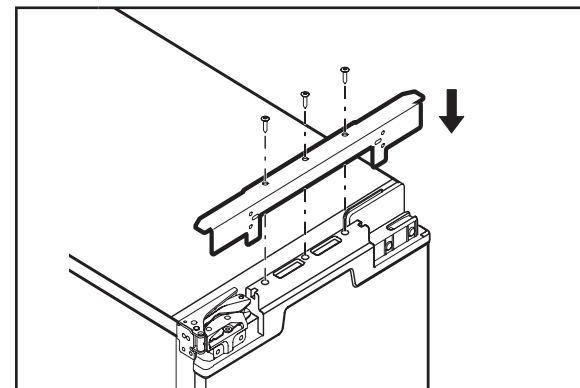
PANNEAU DE PORTE EN BOIS PERSONNALISÉ



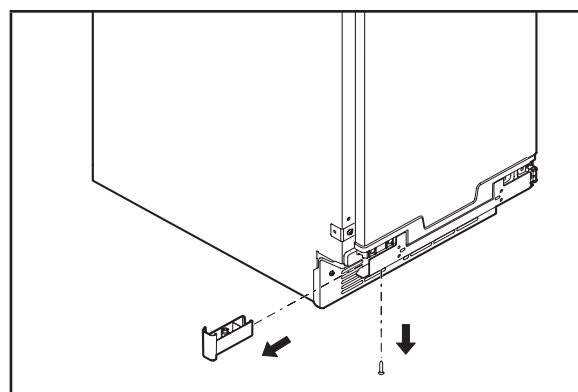
! Si un panneau en acier inoxydable est installé, passer la section "Panneau de porte en bois personnalisé".



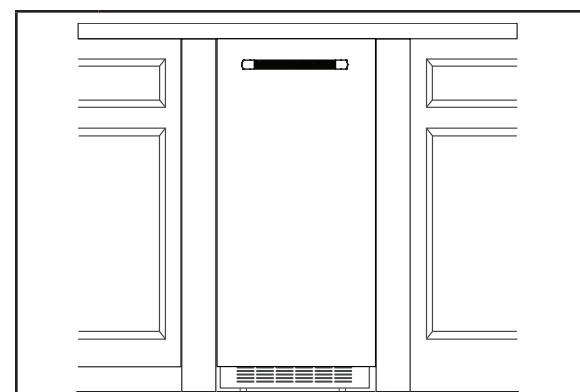
1 Retirer les vis et la bride métallique du haut en utilisant un tournevis cruciforme. Les retirer et les conserver pour plus tard. Passer cette étape et poursuivre avec l'étape 4 si l'inversion de la porte a été effectuée.



3 Replacer le support de métal du haut en utilisant les vis retirées à l'étape 1.

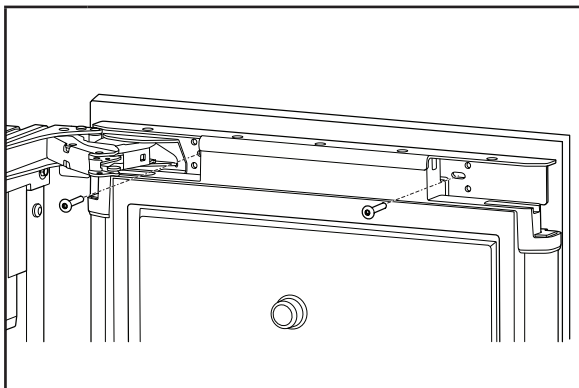


2 Retirer les capuchons supérieur et inférieur en utilisant le tournevis à tête cruciforme et les garder de côté.



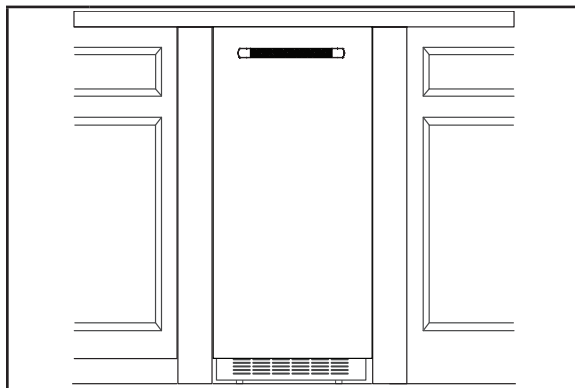
4 Coller le panneau personnalisé sur la porte en utilisant des morceaux d'adhésifs recto verso et en poussant doucement. Ajuster la hauteur du panneau pour l'aligner avec les armoires. Appuyer fermement le panneau contre la porte.

INSTALLATION



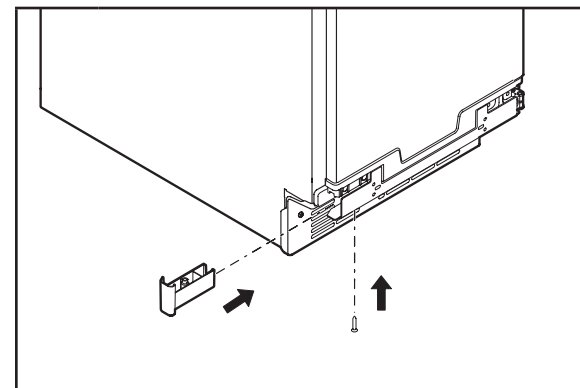
5 À partir de l'intérieur de la porte, installer les vis à bois dans les fentes du support en métal.

Continuer avec la section "Mettre à niveau et sécuriser" de l'étape 5.



6 Effectuer l'ajustement gauche-droite du panneau pour obtenir l'espace désiré de chaque côté. Installer les vis restantes sur le panneau de porte en passant par les supports.

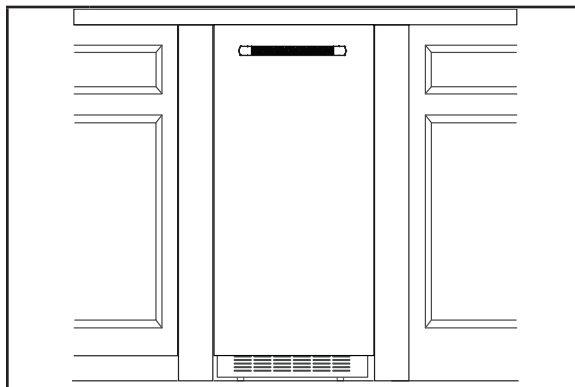
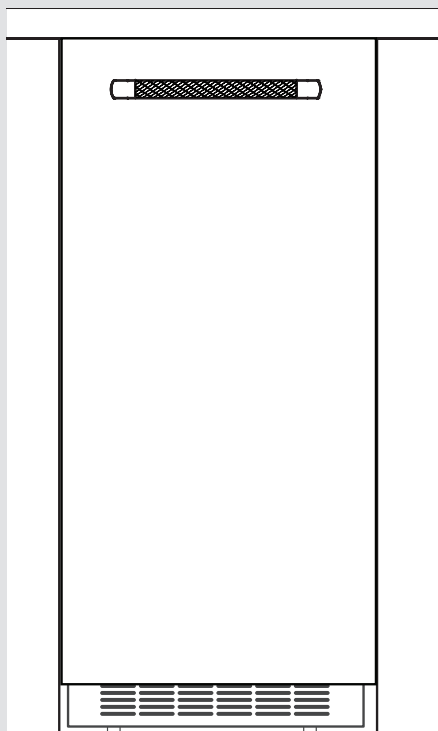
REMARQUE : S'assurer que le panneau est aligné avec les armoires avant d'installer les vis restantes pour fixer le panneau de porte.



7 Replacer les embouts du haut et du bas dans la porte. Fixer l'embout du bas à l'aide de la vis en passant par le trou de la bride en métal du bas.

INSTALLATION

RACCORDEMENT DE LA VIDANGE



1 **Style 1** - Pour un système de vidange par gravité, s'assurer que le tube de vidange soit positionné au-dessus du réducteur de vidange en PVC. Voir la section "Système de vidange par gravité".

Style 2 - Pour un système avec pompe de vidange, connecter le tuyau de sortie de la pompe au drain. Consulter la section "Spécifications de l'évacuation".

REMARQUE : Ne pas raccorder l'extrémité de sortie du tuyau de vidange à un système de canalisation fermé afin d'empêcher l'eau de vidange de refouler dans la machine à glaçons.

⚠ AVERTISSEMENT



Risque de choc électrique

Brancher sur une prise à 3 alvéoles reliée à la terre.

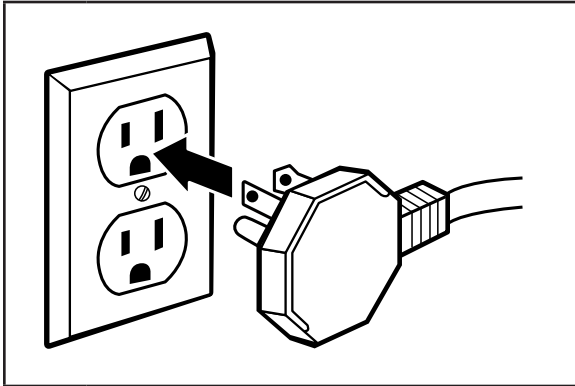
Ne pas enlever la broche de liaison à la terre.

Ne pas utiliser un adaptateur.

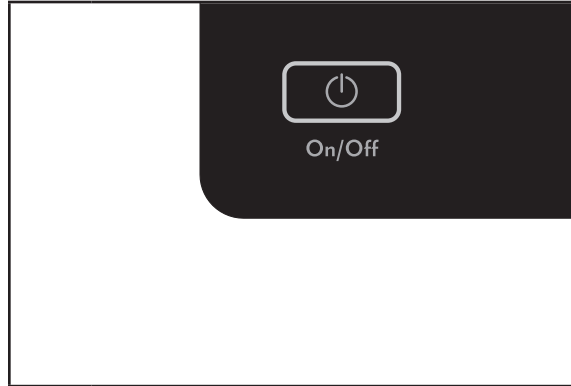
Ne pas utiliser un câble de rallonge.

Le non-respect de ces instructions peut causer un décès, un incendie ou un choc électrique.

INSTALLATION



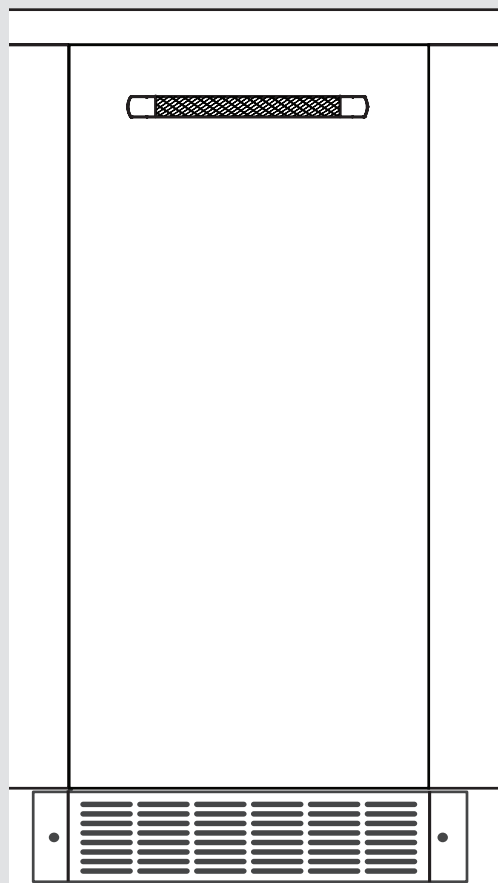
2 Rebrancher la machine à glaçons ou l'alimenter.



3 Mettre la machine à glaçons en marche. Attendre que le programme de rinçage se déclenche (environ 5 minutes) pour s'assurer que la machine à glaçons fonctionne correctement.

INSTALLATION

INSTALLATION DE LA GRILLE AUXILIAIRE



La grille auxiliaire est un accessoire optionnel. Elle peut être utilisée pour aligner la grille inférieure avec le reste des armoires sans bloquer la ventilation de la machine à glaçons.

REMARQUE : N'installer la grille auxiliaire qu'après avoir terminé l'installation de la machine à glaçons.

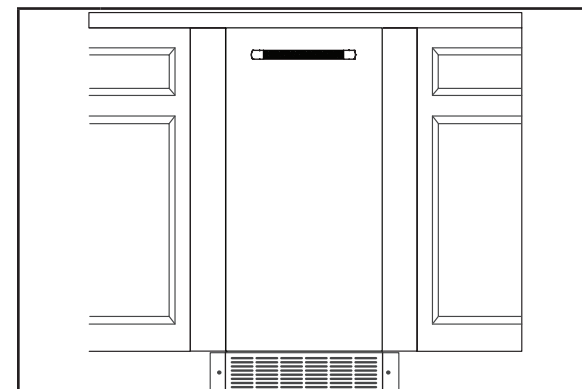
1 Retirer les matériaux d'emballage et les jeter.

2 Retirer les vis collées à l'intérieur de la grille auxiliaire.

3 Placer la grille dans l'armoire. Aligner les parties pour que le motif de grilles de la grille auxiliaire corresponde à celui de la grille inférieure de la machine à glaçons.

4 Centre la grille auxiliaire avec la découpe de la machine à glaçons. Marquer sur les armoires les emplacements des trous de chaque côté de la grille auxiliaire.

5 À l'aide du foret de 1/8 po, percer les trous dans les armoires. Ils permettent d'utiliser des vis no 8-18 x 0,750 po.



6 À l'aide d'un tournevis TORX T20, visser la grille auxiliaire aux armoires.

ANNEXE

ACCESSOIRES

IMPORTANT : Une pompe de vidange est nécessaire lorsqu'on ne dispose pas de drain au plancher. Il est possible d'acheter la trousse de pompe de vidange (numéro de pièce 1901A) au <https://www.jennair.com/>

REMARQUE : Il sera peut-être souhaitable d'isoler le tuyau de vidange complètement jusqu'à l'entrée du drain de vidange. Il est possible d'acheter la trousse de gaine isolante (numéro de pièce W10365792) au <https://www.jennair.com/>

Pour commander la trousse de panneau en acier inoxydable, visiter le <https://www.jennair.com/>

Pour commander la trousse de poignée JennAir pour le panneau de porte en bois personnalisé, visiter le <https://www.jennair.com/>

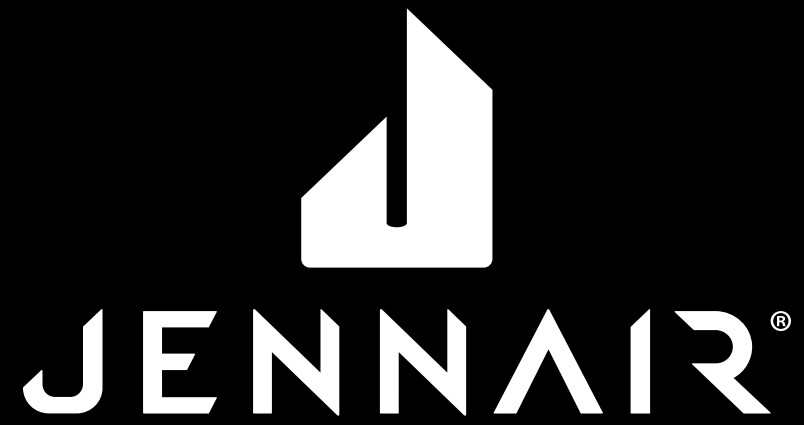
Pour commander la trousse d'entrée d'alimentation en eau en cuivre pour réfrigérateur (8003RP), visiter le <https://www.jennair.com/>

Pour commander un tuyau d'alimentation en eau de qualité industrielle pour réfrigérateur (W10505928RP), visiter le <https://www.jennair.com/>

| ANNEXE

NOTES:

NOTES:



®/™ ©2018 JennAir. All rights reserved. Used under license in Canada.
Tous droits réservés. Utilisé sous licence au Canada.