

# INSTALLATION INSTRUCTIONS

## SIDE TRIM COVER KIT FOR PYRO, SPEED AND STEAM BUILT-IN OVENS, OR COFFEE MACHINE

**Pyro Built-In Single Oven Side Trim Cover Kit W11312047**  
for 27" (68.6 cm) and 30" (76.2 cm) cabinets

For use with model : JJW2424HM

**Pyro Built-In Single Oven Side Trim Cover Kit W11312048**  
for 27" (68.6 cm) and 30" (76.2 cm) cabinets

For use with model : JJW2424HL

**Steam Built-In Single Oven, Speed Microwave Built-In Oven and Coffee Machine Side Trim Cover Kit W11290015** for 27" (68.6 cm) and 30" (76.2 cm) cabinets

For use with models : JJW6024HM, JMC6224HM, JJB6424HM

**Steam Built-In Single Oven, Speed Microwave Built-In Oven and Coffee Machine Side Trim Cover Kit W11300447** for 27" (68.6 cm) and 30" (76.2 cm) cabinets

For use with models : JJW6024HL, JMC6224HL, JJB6424HL

# INSTRUCTIONS D'INSTALLATION

## ENSEMBLE DE GARNITURES DÉCORATIVES LATÉRALES POUR LES FOURS PYRO, À CUISSON RAPIDE ET AVEC INJECTION DE VAPEUR OU LES MACHINES À CAFÉ ENCASTRÉ

**Ensemble de garnitures décoratives latérales pour four Pyro simple encastré W11312047**  
dont l'armoire mesure 27 po (68,6 cm) ou 30 po (76,2 cm)

Pour utilisation avec le modèle : JJW2424HM

**Ensemble de garnitures décoratives latérales pour four Pyro simple encastré W11312048**  
dont l'armoire mesure 27 po (68,6 cm) ou 30 po (76,2 cm)

Pour utilisation avec le modèle : JJW2424HL

**Ensemble de garnitures décoratives latérales pour four à injection de vapeur simple, four à micro-ondes à cuisson rapide ou machine à café encastré W11290015** dont l'armoire mesure 27 po (68,6 cm) ou 30 po (76,2 cm)

Pour utilisation avec les modèles : JJW6024HM, JMC6224HM et JJB6424HM

**Ensemble de garnitures décoratives latérales pour four à injection de vapeur simple, four à micro-ondes à cuisson rapide ou machine à café encastré W11300447** dont l'armoire mesure 27 po (68,6 cm) ou 30 po (76,2 cm)

Pour utilisation avec les modèles : JJW6024HL, JMC6224HL et JJB6424HL

---

### Table of Contents / Table des matières

|   |   |  |    |
|---|---|--|----|
| <b>BUILT-IN SINGLE OVEN, MICROWAVE OR COFFEE MACHINE SAFETY</b> .....                   | 2 | <b>MESURES DE SÉCURITÉ RELATIVES AUX FOURS SIMPLE, FOUR À MICRO-ONDES ET MACHINE À CAFÉ ENCASTRÉS</b> .....  | 7  |
| <b>INSTALLATION REQUIREMENTS</b> .....  | 2 | <b>EXIGENCES D'INSTALLATION</b> .....  | 7  |
| Tools and Parts.....  | 2 | Outils et pièces.....  | 7  |
| Location Requirements.....  | 2 | Exigences d'emplacement.....   | 7  |
| <b>INSTALLATION INSTRUCTIONS</b> .....  | 3 | <b>INSTRUCTIONS D'INSTALLATION</b> .....   | 8  |
| Install Side Trim Cover Kit for Built-In Oven, Steam, Microwave, or Coffee Machine..... | 3 | Installation de l'ensemble de garnitures décoratives latérales pour four simple, four à injection de vapeur, four à micro-ondes ou machine à café..... | 8  |
| Install Electric Built-in Single Oven or Microwave.....                                 | 4 | Installation d'un four simple électrique ou d'un four à micro-ondes encastré.....  | 9  |
| Install Coffee System .....   | 4 | Installation du système d'infusion à café.....   | 9  |
| Complete Installation .....   | 6 | Terminer l'installation.....   | 11 |

# BUILT-IN SINGLE OVEN, MICROWAVE OR COFFEE MACHINE SAFETY

## Your safety and the safety of others are very important.

We have provided many important safety messages in this manual and on your appliance. Always read and obey all safety messages.



This is the safety alert symbol.

This symbol alerts you to potential hazards that can kill or hurt you and others.

All safety messages will follow the safety alert symbol and either the word "DANGER" or "WARNING."

These words mean:

**DANGER**

You can be killed or seriously injured if you don't immediately follow instructions.

**WARNING**

You can be killed or seriously injured if you don't follow instructions.

All safety messages will tell you what the potential hazard is, tell you how to reduce the chance of injury, and tell you what can happen if the instructions are not followed.

## INSTALLATION REQUIREMENTS

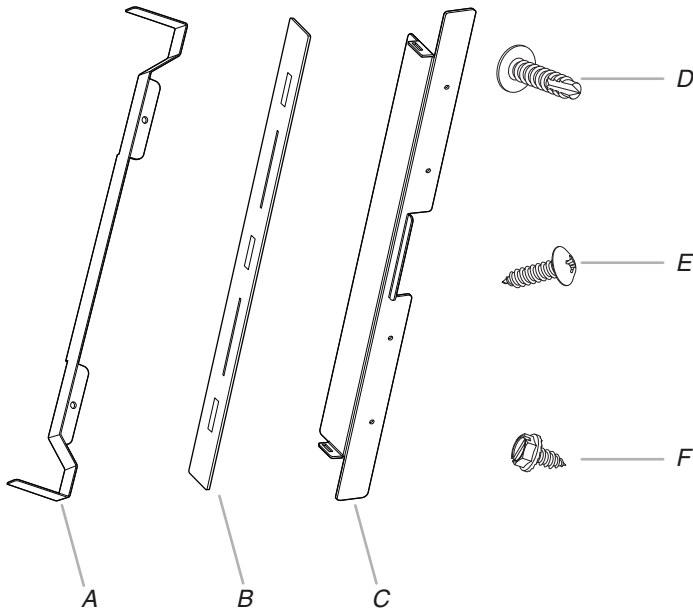
### Tools and Parts

Gather the required tools and parts before starting installation. Read and follow the instructions provided with any tools listed here.

#### Tools needed

- Phillips screwdriver
- Measuring tape
- Level
- Hex head or flat-blade screwdriver

#### Parts supplied



- A. Mounting jig
- B. Trim surface (2 per 27" (68.6 cm) and 2 per 30" (76.2 cm) cabinets)
- C. Trim structure (2 per 27" (68.6 cm) and 2 per 30" (76.2 cm) cabinets)

- D. 2 Self Drilling Screws
- E. 8 Wood Screws
- F. 2 Hex Head screws

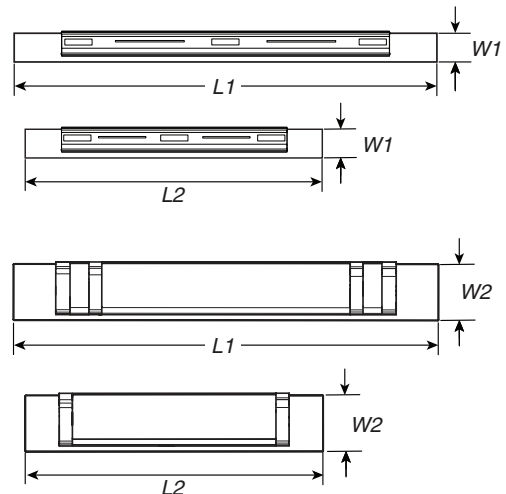
### Location Requirements

**IMPORTANT:** Observe all governing codes and ordinances.

- Follow the instructions below along with the instructions in the built-in oven, microwave or coffee machine Installation Instructions.

### Product Dimensions

#### Side Trim Cover Kits



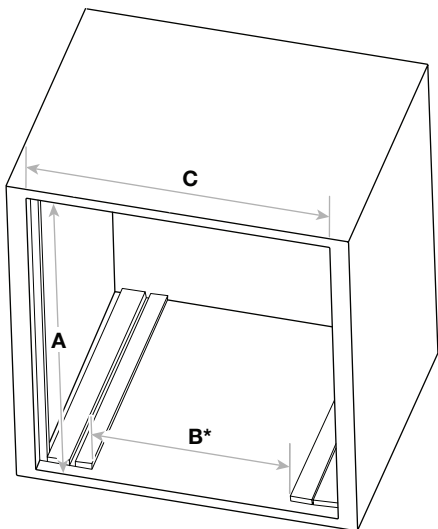
Pyro Single Built-In Oven  $L1 = 23^{29/64}$ " (59.6 cm)

Steam Built-In Oven, Speed Microwave Built-In Oven, and Coffee Machine  $L2 = 17^{27/32}$ " (45.3 cm)

For 27" (68.6 cm) cabinet  $W1 = 1^{11/16}$ " (4.3 cm)

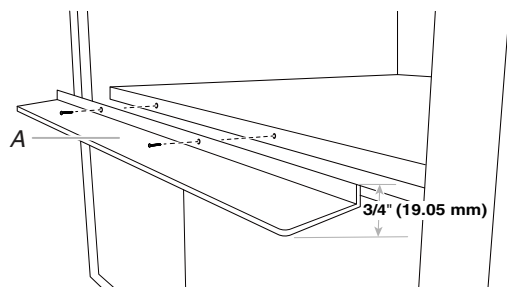
For 30" (76.2 cm) cabinet  $W2 = 3^{1/4}$ " (8.2 cm)

## Cabinet Dimensions



\*Distance between additional bottom cleats for ovens.

If the unit is being installed above a wooden cabinet bottom, be sure to install the metal trim piece at the front edge of the cabinet bottom.

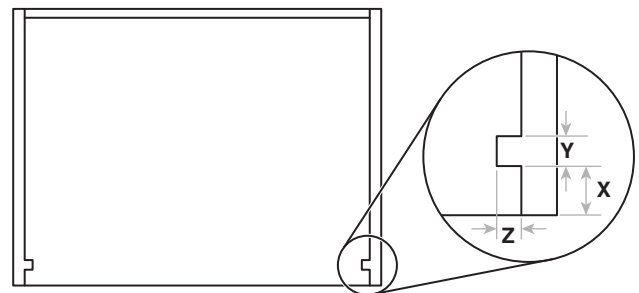


A. Flush mount deflector vent

Refer the below dimensions along with the dimensions in the built-in oven, microwave or coffee machine dimension guide.

| For Flush Installation   |   |
|--|---|
| Steam Built-In Single Oven, Speed Microwave Built-In Oven or Coffee Machine                            | A = 18 <sup>5</sup> / <sub>16</sub> " (46.5 cm) |
| Pyro Wall Oven   | A = 23 <sup>3</sup> / <sub>4</sub> " (60 cm)    |
| Steam Built-In Single Oven, Speed Built-In Single Oven or Pyro Wall Oven                               | B* = 17 <sup>7</sup> / <sub>8</sub> " (45.4 cm) |
| 27" (68.6 cm) Steam Built-In Single Oven, Speed Built-In Single Oven, Pyro Wall Oven or Coffee Machine | C = 27 <sup>1</sup> / <sub>4</sub> " (69.2 cm)  |
| 30" (76.2 cm) Steam Built-In Single Oven, Speed Built-In Single Oven, Pyro Wall Oven or Coffee Machine | C = 30 <sup>1</sup> / <sub>4</sub> " (76.8 cm)  |

## Side Cleats Dimensions



Top View

X. 1<sup>3</sup>/<sub>8</sub>" (3.5 cm)

Y. 13/16" (2 cm) min.

Z. 11/16" (1.7 cm)

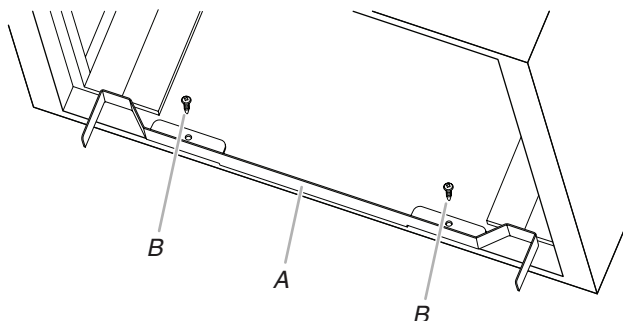
# INSTALLATION INSTRUCTIONS

## Install Side Trim Cover Kit for Built-In Oven, Steam, Microwave, or Coffee Machine

### For Flush Installation

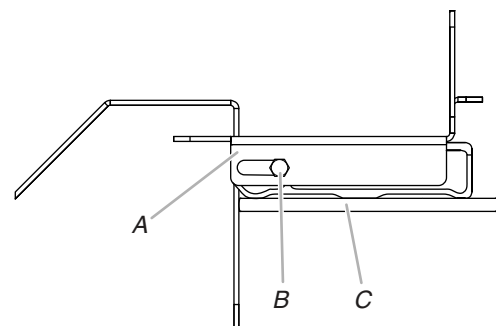
Follow the instructions below to install the Side Trim Cover Kit on a built-in oven steam, microwave, or coffee machine.

- Center the mounting jig horizontally in the cabinet opening, place it flush against the cabinet opening, and secure it with two Phillips screws as shown.



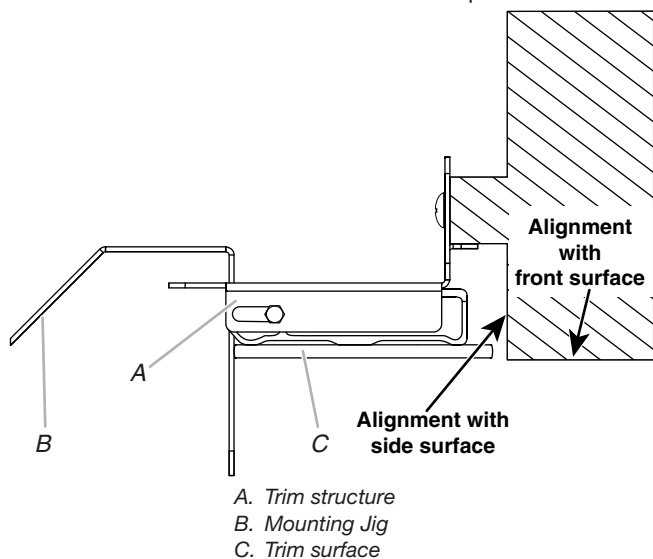
A. Mounting jig  
B. Phillips screws

- Attach each trim surface to the trim structure with hex-head screws at the top and bottom. Do not tighten the screws completely.

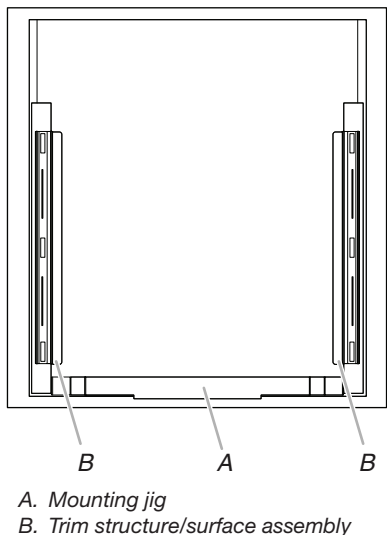


A. Trim Structure  
B. Hex head screw  
C. Trim Surface

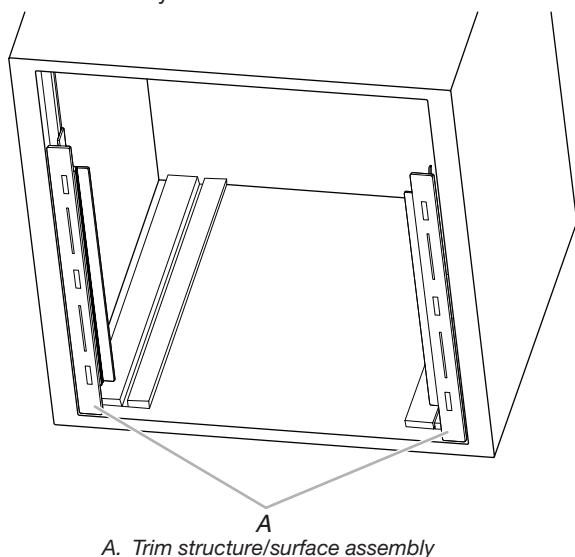
- Align each trim structure/surface assembly with the cabinet as shown and attach each with four Phillips screws.



- Adjust the trim structure/surface assemblies horizontally to touch the side surfaces of the mounting jig. Tighten the hex-head screws at the top of each assembly.



- Remove the mounting jig from the cabinet opening. Tighten the hex-head screws at the bottom of each trim structure/surface assembly.



## Install Electric Built-in Single Oven or Microwave

- Follow the oven Installation Instructions to complete installation.

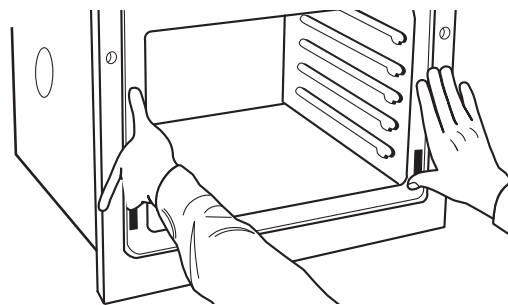
**NOTE:** If the built-in oven was not installed into the cabinet, read the “Electrical Requirements” and “Electrical Connection” sections, along with all other sections of the Installation Instructions, before installing the oven.

### ⚠ WARNING

#### Excessive Weight Hazard

Use two or more people to move and install oven.  
Failure to do so can result in back or other injury.

- Using two or more people, push against the seal area of the front frame to push the oven into the cabinet until the back surface of the front frame touches the Trim structure.

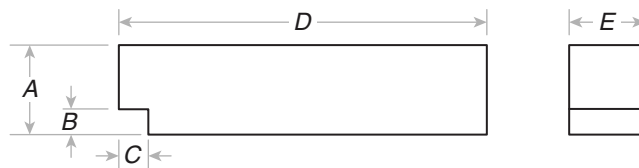


- Securely fasten oven to the metal trim structure using the screws provided. Insert the self drilling screws through hole in the side trim cover. Do not over tighten screws.
- Reconnect power.
- If the display panel does not light, reference the “Assistance or Service” section of the Use and Care Guide, or contact the dealer from whom you purchased your oven.

## Install Coffee System

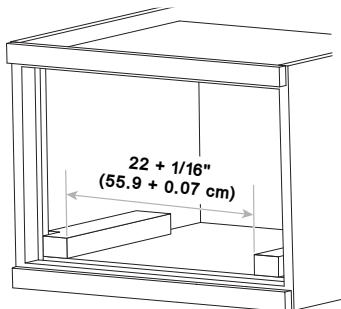
### Install the Mounting Brackets

- Make side wooden blocks with the dimensions as shown.

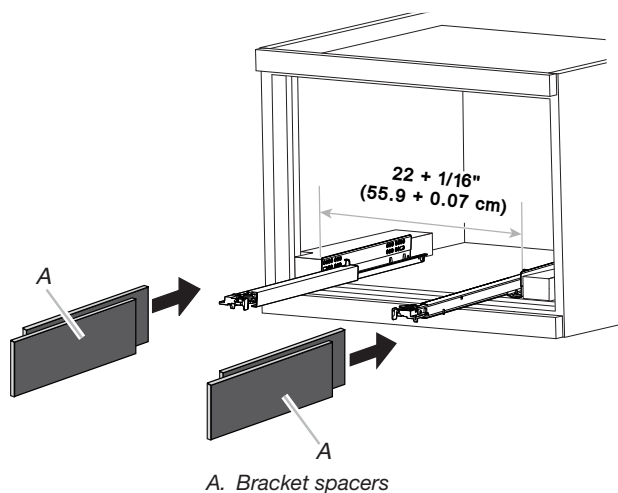


- |  |   |
|--|---|
| A. For 27" (68.6 cm) cabinet:<br>2 <sup>9</sup> / <sub>16</sub> " (6.6 cm) | B. 1 <sup>3</sup> / <sub>16</sub> " (3 cm)    |
| For 30" (76.2 cm) cabinet:<br>4 <sup>1</sup> / <sub>16</sub> " (10.4 cm)   | C. 1 <sup>5</sup> / <sub>16</sub> " (3.4 cm)  |
| (Cabinet Interior width - 22 <sup>1</sup> / <sub>16</sub> " )/2            | D. 16 <sup>3</sup> / <sub>4</sub> " (42.5 cm) |
|  | E. 2 <sup>1</sup> / <sub>16</sub> " (5.3 cm)  |

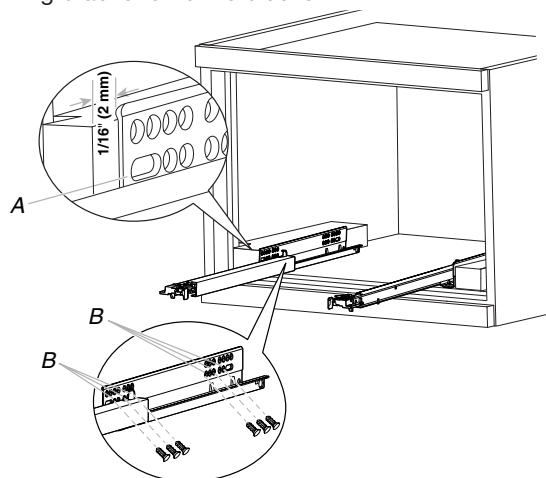
- Secure the side wooden blocks to the side walls of the cabinet and wooden bottom spacer so that the coffee system can be installed as per the Installation Instructions.



- After securing the 'blocks', the distance between them should be  $22\frac{1}{16}$ " (55.97 cm). If the distance between the mounting brackets is greater than  $22" + \frac{1}{16}"$  (55.9 + 0.07 cm), bracket spacers will need to be used. Four 1 mm bracket spacers are included. See Step 4.
- If bracket spacers are needed:** Position the necessary spacer(s) behind the mounting brackets. Continue with Step 5.

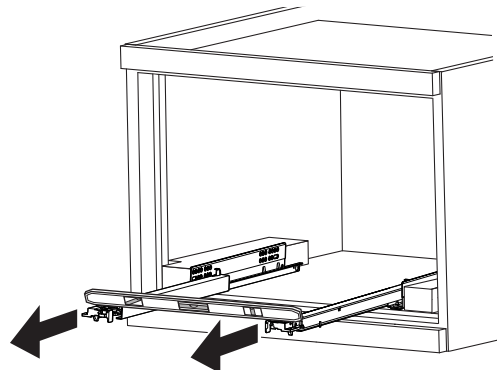


- Determine where the mounting brackets will be installed and mark 6 holes through each mounting bracket onto the side cabinet.  
**IMPORTANT:** The front of the mounting bracket must be  $\frac{1}{16}"$  (2 mm) from the front fascia thickness of the cabinet frame.  
 Align the front of the mounting brackets  $\frac{13}{16}"$  (2.1 cm) back from the front of the cabinet and mark 6 holes through each mounting bracket onto the blocks.

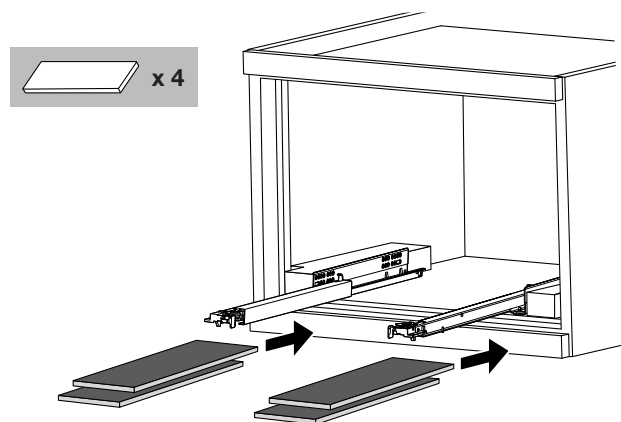


- Front of mounting bracket  $\frac{1}{16}"$  (2 mm) from outside of cabinet frame
- Mark 6 screw holes.

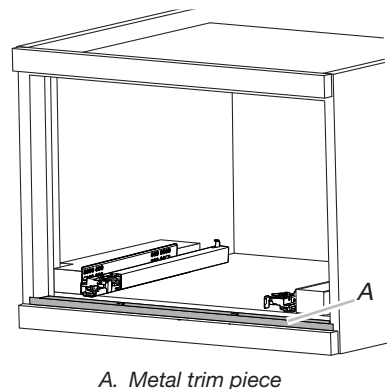
- Using a  $\frac{1}{16}"$  (2 mm) drill, drill the holes marked in Step 5.
- Secure the mounting brackets to the side cabinets with six  $\frac{3}{16}" \times \frac{5}{8}"$  (4.5 x 16 mm) screws in each bracket.
- Remove the tape holding the brackets in place.
- Pull the runners forward until they are fully extended and in the locked position. Place level across the runners and check levelness. Then place the level along the length of each runner and check levelness from front to back. If the runners are not level, uninstall the mounting brackets and raise or lower the mounting brackets as necessary until they are level.



**NOTE:** If the runners are not level, uninstall the mounting brackets and raise the mounting brackets as necessary using the metal shims provided, until they are level.



- If the coffee system is being installed above a wooden cabinet bottom, use two  $\frac{3}{16}" \times \frac{5}{8}"$  (4.5 x 16 mm) screws to install the metal trim piece at the front edge of the cabinet bottom.



## Install the Coffee System

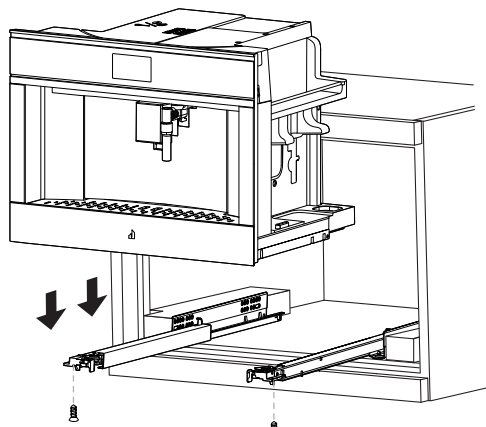
### **⚠ WARNING**

#### **Excessive Weight Hazard**

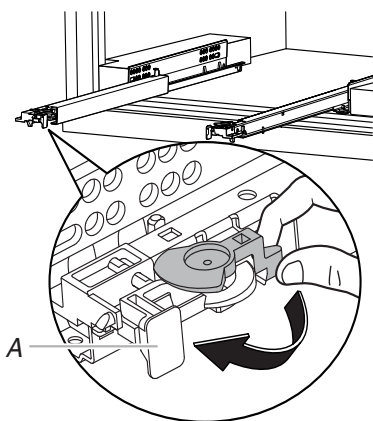
**Use two or more people to move and install the built-in coffee system.**

**Failure to do so can result in back or other injury.**

1. Pull the runners forward until they are fully extended.
2. Using 2 or more people, position the coffee system onto the runners, making sure that the 2 hooks on the back of the mounting brackets are inside the holes on the rear/back/bottom of the coffee system. Pull runners all the way forward and in the locked position.



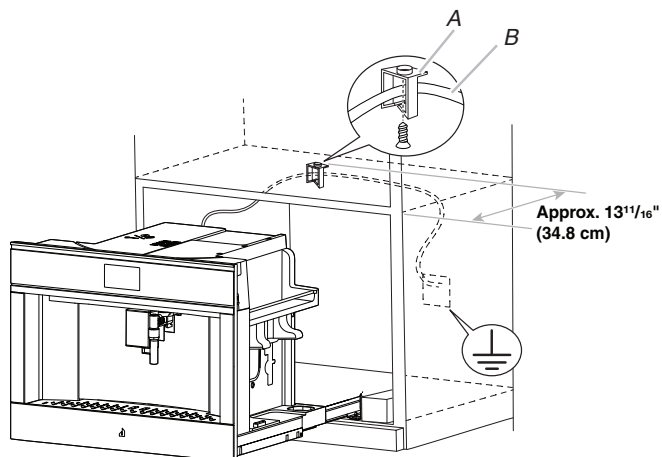
**NOTE:** There is a white 'dial' on the front of the runners that can be rotated for minor height adjustments. Lock coffee system into place using the 'orange locking tabs'.



A. Orange locking tabs

3. Secure the coffee system to the runners with the two, 3/16" x 3/8" (4.2 x 9.5 mm) screws.
4. Position the power supply cord clip on the top of the cabinet, approximately 13<sup>11</sup>/<sub>16</sub>" (34.8 cm) from the front of the cabinet and centered from left to right. With a pencil, mark the hole through the clip on the top of the cabinet.
5. Using a 1/16" (2 mm) drill, drill the hole marked in Step 4.

6. Using one 3/16" x 5/8" (4.5 x 16 mm) screw, attach the power supply cord clip to the top of the cabinet.



A. Power supply cord clip  
B. Power supply cord

7. Secure the power supply cord with the power supply cord clip. Make sure there is enough slack in the power supply cord to allow the coffee system to be pulled completely from the cabinet in order to fill the coffee bean container.

### **⚠ WARNING**



#### **Electrical Shock Hazard**

**Plug into a grounded 3 prong outlet.**

**Do not remove ground prong.**

**Do not use an adapter.**

**Do not use an extension cord.**

**Failure to follow these instructions can result in death, fire, or electrical shock.**

8. Plug the coffee system into a grounded 3-prong outlet.
9. Push the coffee system back into the housing.
10. Proceed to "Complete Installation" section.

## Complete Installation

1. Check that all parts are now installed. If there is an extra part, go back through the steps to see which step was skipped.
2. Check that you have all of your tools.
3. Dispose of/recycle all packaging materials.

### **If you need Assistance or Service:**

Please reference the "Assistance or Service" section of the Use and Care Guide or contact the dealer from whom you purchased your trim kit.

# MESURES DE SÉCURITÉ RELATIVES AUX FOUR SIMPLE, FOUR À MICRO-ONDES ET MACHINE À CAFÉ ENCASTRÉS

## Votre sécurité et celle des autres est très importante.

Nous donnons de nombreux messages de sécurité importants dans ce manuel et sur votre appareil ménager. Assurez-vous de toujours lire tous les messages de sécurité et de vous y conformer.



Voici le symbole d'alerte de sécurité.

Ce symbole d'alerte de sécurité vous signale les dangers potentiels de décès et de blessures graves à vous et à d'autres.

Tous les messages de sécurité suivront le symbole d'alerte de sécurité et le mot "DANGER" ou "AVERTISSEMENT". Ces mots signifient :

**⚠ DANGER**

Risque possible de décès ou de blessure grave si vous ne suivez pas immédiatement les instructions.

**⚠ AVERTISSEMENT**

Risque possible de décès ou de blessure grave si vous ne suivez pas les instructions.

Tous les messages de sécurité vous diront quel est le danger potentiel et vous disent comment réduire le risque de blessure et ce qui peut se produire en cas de non-respect des instructions.

## EXIGENCES D'INSTALLATION

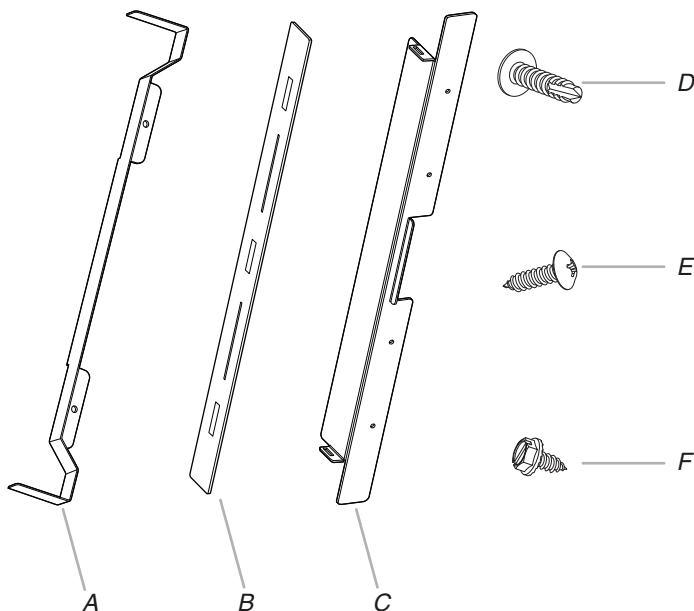
### Outils et pièces

Rassembler les outils et pièces nécessaires avant d'entreprendre l'installation. Lire et observer les instructions fournies avec chacun des outils de la liste ci-dessous.

#### Outils nécessaires

- Tournevis cruciforme
- Ruban à mesurer
- Niveau
- Tournevis à tête hexagonale ou plate

#### Pièces fournies



- A. Gabarit de montage  
 B. Surface de garniture (2 par armoire de 27 po [68,6 cm] et 2 par armoire de 30 po [76,2 cm])  
 C. Structure de garniture (2 par armoire de 27 po [68,6 cm] et 2 par armoire de 30 po [76,2 cm])  
 D. 2 vis autotaraudeuses  
 E. 8 vis à bois  
 F. 2 vis à tête hexagonale

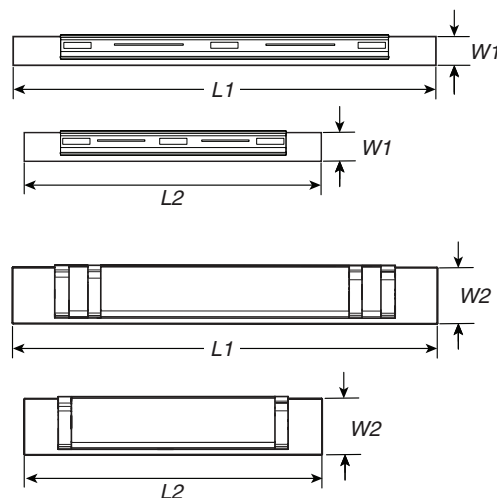
### Exigences d'emplacement

**IMPORTANT** : Observer les dispositions de tous les codes et règlements en vigueur.

- Suivre les instructions ci-dessous ainsi que les instructions fournies dans les instructions d'installation du four simple, du four à micro-ondes ou de la machine à café encastré.

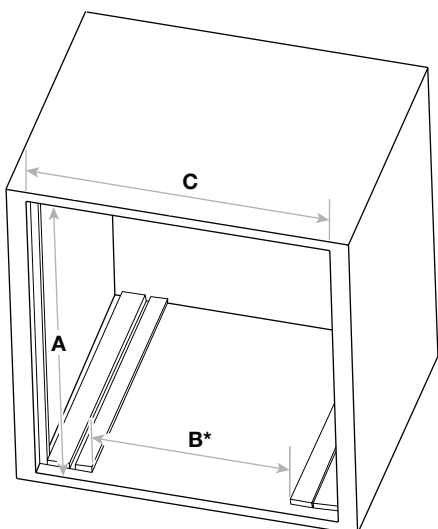
#### Dimensions du produit

#### Ensembles de garnitures décoratives latérales



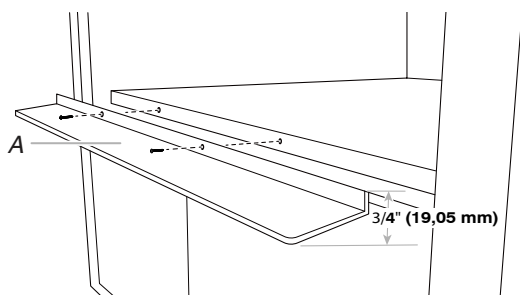
|   |                                       |
|---|---------------------------------------|
| Four Pyro simple encastré   | L1 = 23 <sup>29/64</sup> po (59,6 cm) |
| Four à injection de vapeur simple, four à micro-ondes à cuisson rapide ou machine à café encastré | L2 = 17 <sup>27/32</sup> po (45,3 cm) |
| Pour armoire de 27 po (68,6 cm)   | W1 = 1 <sup>11/16</sup> po (4,3 cm)   |
| Pour armoire de 30 po (76,2 cm)   | W2 = 3 <sup>1/4</sup> po (8,2 cm)     |

## Dimensions de l'armoire



\*Distance entre les tasseaux inférieurs supplémentaires des fours.

Si l'appareil est installé au-dessus du bas d'une armoire en bois, s'assurer d'installer la garniture en métal à l'avant du bas de l'armoire.

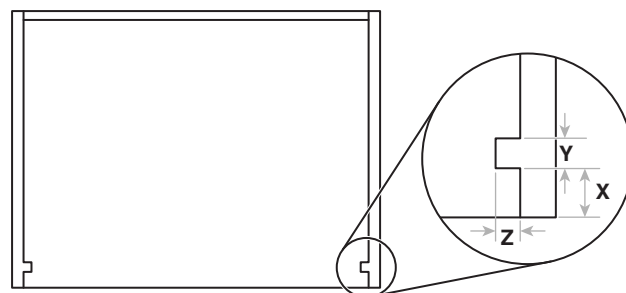


A. Déflecteur d'évent à montage en affleurement

Se reporter aux dimensions ci-dessous, ainsi que les dimensions fournies dans le guide des dimensions du four simple, du four à micro-ondes ou de la machine à café encastré.

| Pour une installation en affleurement  |  |
|--|--|
| Four à injection de vapeur simple, four à micro-ondes à cuisson rapide ou machine à café encastré                                      | A = 18 <sup>5</sup> / <sub>16</sub> po (46,5 cm) |
| Four encastré Pyro   | A = 23 <sup>3</sup> / <sub>4</sub> po (60 cm)    |
| Four à injection de vapeur simple, four à micro-ondes à cuisson rapide ou four Pyro encastré   | B* = 17 <sup>7</sup> / <sub>8</sub> po (45,4 cm) |
| Four à injection de vapeur simple, four à micro-ondes à cuisson rapide simple, four Pyro ou machine à café encastré de 27 po (68,6 cm) | C = 27 <sup>1</sup> / <sub>4</sub> po (69,2 cm)  |
| Four à injection de vapeur simple, four à micro-ondes à cuisson rapide simple, four Pyro ou machine à café encastré de 30 po (76,2 cm) | C = 30 <sup>1</sup> / <sub>4</sub> po (76,8 cm)  |

## Dimensions des tasseaux latéraux



Vue de dessus

- X. 1 <sup>3</sup>/<sub>8</sub> po (3,5 cm)
- Y. 13/16 po (2 cm) min
- Z. 11/16 po (1,7 cm)

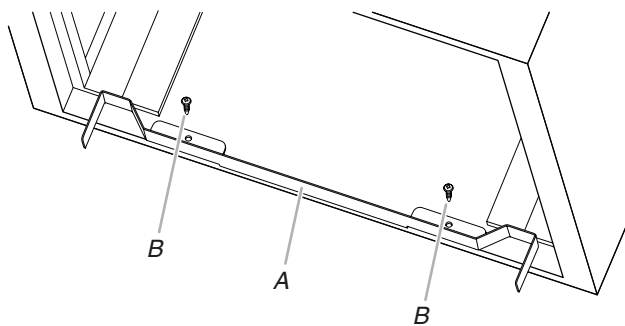
# INSTRUCTIONS D'INSTALLATION

## Installation de l'ensemble de garnitures décoratives latérales pour four simple, four à injection de vapeur, four à micro-ondes ou machine à café

### Pour une installation en affleurement

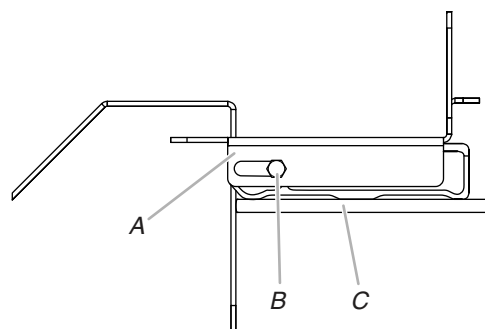
Suivre les instructions ci-dessous pour installer l'ensemble de garnitures décoratives latérales sur un four à injection de vapeur, un four à micro-ondes ou une machine à café.

1. Centrer le gabarit de montage à l'horizontale dans l'ouverture de l'armoire, le placer en affleurement contre l'ouverture de l'armoire, puis le fixer à l'aide de deux vis cruciformes comme illustré.



A. Gabarit de montage B. Vis cruciformes

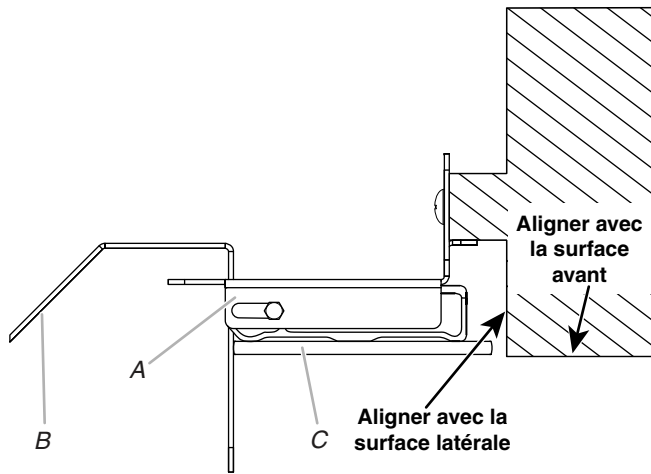
2. Fixer chaque surface de garniture aux structures de garniture du haut et du bas à l'aide de vis à tête hexagonale. Ne pas serrer complètement les vis.



A. Structure de garniture  
B. Vis à tête hexagonale  
C. Surface de garniture

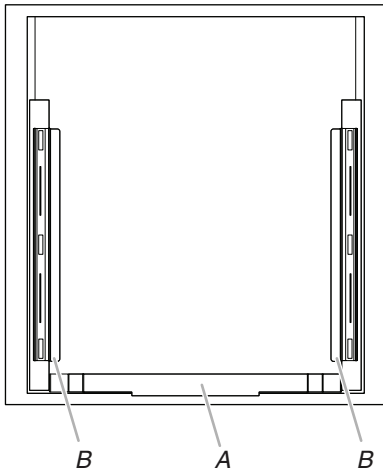


3. Aligner chaque ensemble structure/surface de garniture avec l'armoire comme illustré et les fixer à l'aide de quatre vis cruciformes.



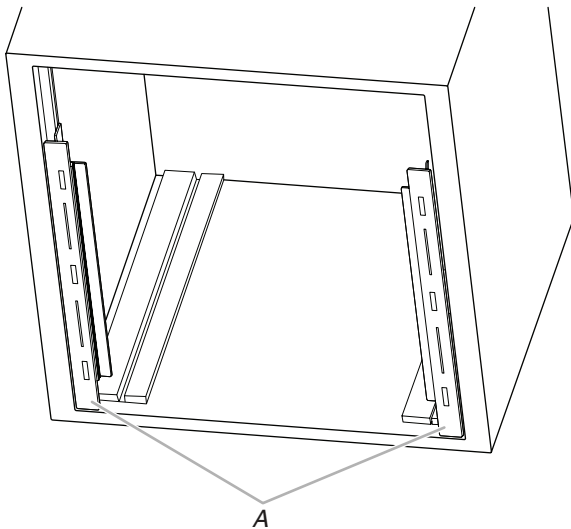
A. Structure de garniture  
B. Gabarit de montage  
C. Surface de garniture

4. Modifier la position horizontale de l'ensemble structure/surface de garniture pour qu'il touche les surfaces latérales du gabarit de montage. Serrer les vis à tête hexagonale du haut de chaque ensemble.



A. Gabarit de montage B. Ensemble structure/surface de garniture

5. Retirer le gabarit de montage de l'ouverture de l'armoire. Serrer les vis à tête hexagonale du bas de chaque ensemble structure/surface de garniture.



A. Ensemble structure/surface de garniture

## Installation d'un four simple électrique ou d'un four à micro-ondes encastré

1. Suivre les instructions d'installation pour terminer l'installation.  
**REMARQUE :** Si le four encastré n'a pas été installé dans l'armoire, lire les sections « Exigences électriques » et « Raccordement électrique », ainsi que toutes les autres sections des instructions d'installation, avant d'installer le four.

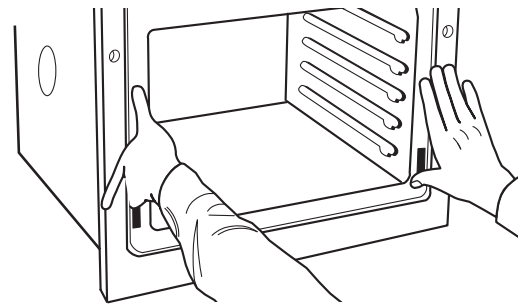
### ⚠ AVERTISSEMENT

#### Risque du poids excessif

Utiliser deux ou plus de personnes pour déplacer et installer le four.

Le non-respect de cette instruction peut causer une blessure au dos ou d'autre blessure.

2. À l'aide d'au moins deux personnes, pousser contre la zone du joint du châssis avant pour introduire le four dans l'armoire, jusqu'à ce que la surface arrière du châssis avant soit au contact avec la structure de la garniture.

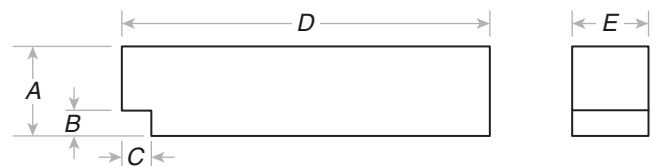


3. Fixer solidement le four à la structure en métal de la garniture à l'aide des vis fournies. Insérer les vis autotaraudeuses dans les trous situés sur le couvercle de la garniture latérale. Ne pas serrer les vis.  
4. Rétablir l'alimentation électrique.  
5. Si le tableau d'affichage ne s'allume pas, consulter la section « Assistance ou service » du guide d'utilisation et d'entretien ou contacter le marchand auprès duquel le four a été acheté.

## Installation du système d'infusion à café

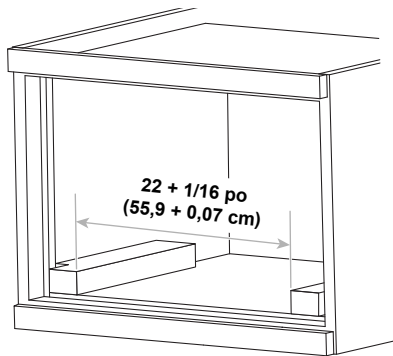
### Installation des platines de montage

1. Fabriquer des blocs de bois latéraux selon les dimensions indiquées.

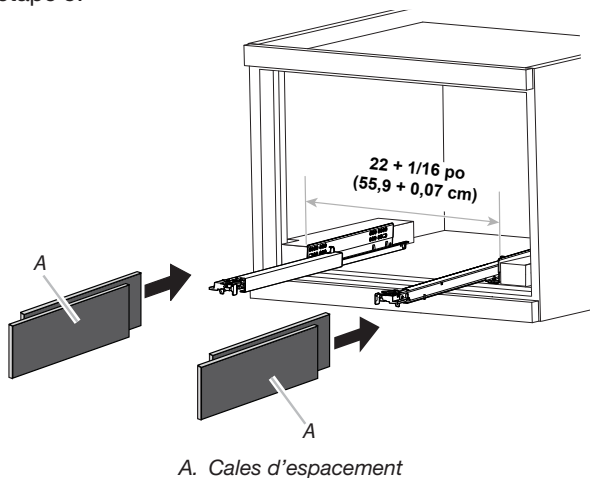


- A. Pour armoire de 27 po (68,6 cm):  
2<sup>9</sup>/<sub>16</sub> po (6,6 cm)  
Pour armoire de 30 po (76,2 cm):  
4<sup>1</sup>/<sub>16</sub> po (10,4 cm)  
(Largeur intérieure de l'armoire - 22<sup>1</sup>/<sub>16</sub> po)/2
- B. 1<sup>3</sup>/<sub>16</sub> po (3 cm)  
C. 1<sup>5</sup>/<sub>16</sub> po (3,4 cm)  
D. 16<sup>3</sup>/<sub>4</sub> po (42,5 cm)  
E. 2<sup>1</sup>/<sub>16</sub> po (5,3 cm)

2. Fixer les blocs en bois latéraux aux murs latéraux de l'armoire et la cale inférieure en bois pour que la machine à café puisse être installée selon les instructions d'installation.



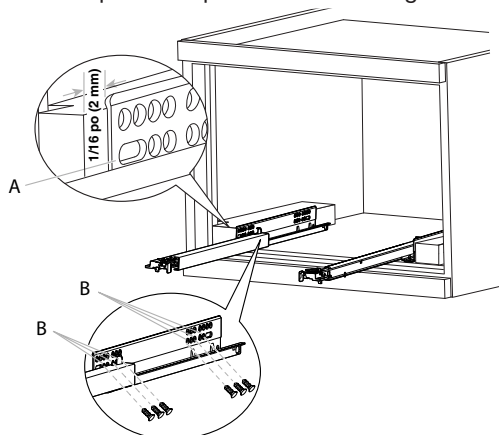
3. Après avoir fixé les blocs, la distance les séparant devrait être de  $22 \frac{1}{16}$  po (55,97 cm). Si la distance entre les platines de montage est supérieure à  $22 \text{ po} + \frac{1}{16} \text{ po}$  (55,9 + 0,07 cm), alors il est nécessaire d'utiliser des cales d'espacement. Quatre cales de support de 1 mm sont incluses. Voir l'étape 4.
4. **Si des cales d'espacement sont nécessaires :** Placer les cales nécessaires derrière les platines de montage. Passer à l'étape 5.



5. Déterminer l'emplacement d'installation des platines de montage et marquer les 6 trous à travers chaque platine de montage sur l'armoire latérale.

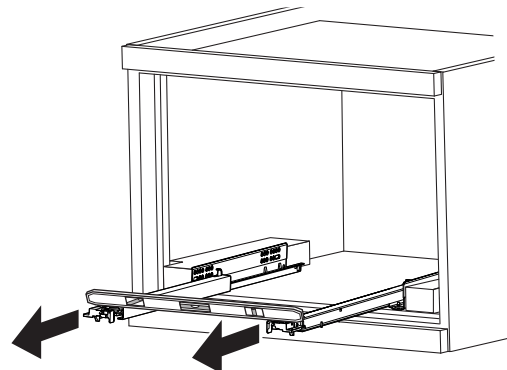
**IMPORTANT :** L'avant de la platine de montage doit être à  $\frac{1}{16}$  po (2 mm) de l'épaisseur de la bordure avant du cadre de l'armoire.

Aligner l'avant des brides de montage arrière de  $\frac{13}{16}$  po (2,1 cm) à partir de l'avant de l'armoire et marquer sur les blocs 6 trous pour chaque bride de montage.

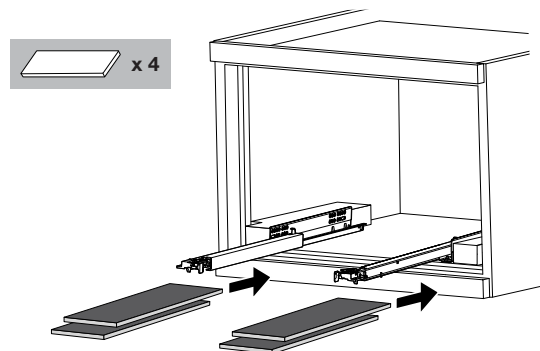


- A. Avant de la platine de montage à  $\frac{1}{16}$  po (2 mm) de l'extérieur du cadre de l'armoire  
B. 6 trous de vis à marquer

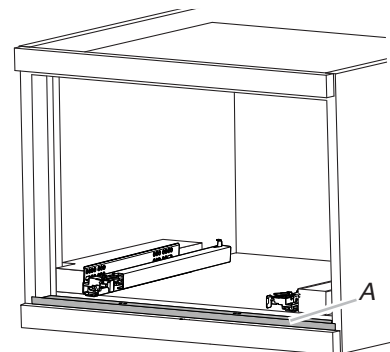
6. Au moyen d'un foret de  $\frac{1}{16}$  po (2 mm), percer les trous marqués à l'étape 5.
7. Fixer les platines de montage aux armoires latérales au moyen de 6 vis de  $\frac{3}{16} \times \frac{5}{8}$  po (4,5 x 16 mm) pour chacune.
8. Retirer éventuellement le ruban adhésif qui maintient les platines.
9. Tirer les glissières vers l'avant jusqu'à leur allongement complet en position verrouillée. Poser un niveau sur les glissières et vérifier la planéité. Ensuite, placer le niveau le long de chaque glissière et vérifier l'horizontalité de chacune de l'avant à l'arrière. Si les glissières ne sont pas horizontales, démonter les platines de montage et les monter ou les abaisser selon les besoins pour qu'elles soient au même niveau.



**REMARQUE :** Si les glissières ne sont pas de niveau, démonter les supports d'installation et les soulever en utilisant les cales en métal fournies jusqu'à ce qu'ils soient de niveau.



10. Si le système d'infusion à café est installé au-dessus du bas d'une armoire en bois, utiliser 2 vis de  $\frac{3}{16} \times \frac{5}{8}$  po (4,5 x 16 mm) pour installer la garniture métallique à l'avant du bas de l'armoire.



A. Garniture métallique

## Installation du système d'infusion à café

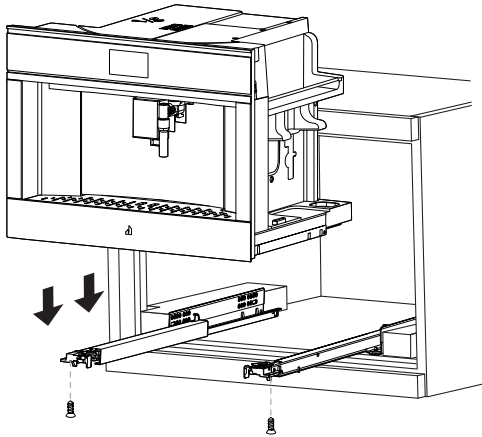
### **⚠ AVERTISSEMENT**

#### Risque du poids excessif

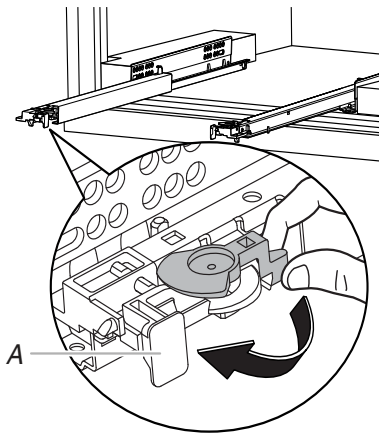
Utiliser deux ou plus de personnes pour déplacer et installer le système infuseur à café.

Le non-respect de cette instruction peut causer une blessure au dos ou d'autre blessure.

1. Tirer les glissières vers l'avant jusqu'à ce qu'elles soient complètement sorties.
2. À l'aide d'au moins 2 personnes, placer le système d'infusion à café sur les glissières en veillant à faire entrer les 2 crochets des brides de montage dans les trous à l'arrière/au dos/au bas du système d'infusion à café. Tirer les glissières complètement vers l'avant en position de verrouillage.



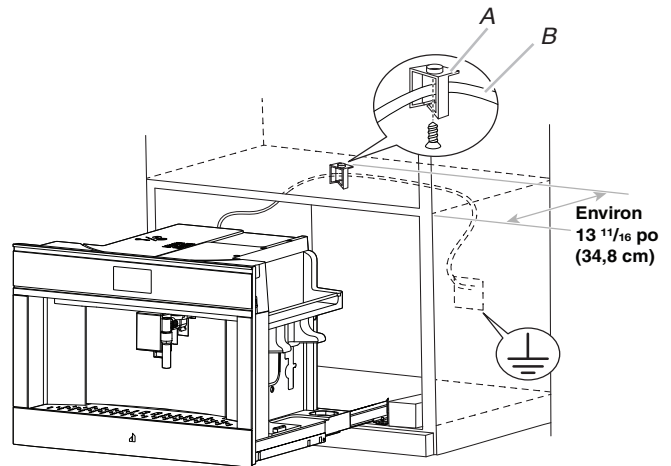
**REMARQUE :** Il y a un « cadran » blanc sur l'avant des glissières qui peut être utilisé pour effectuer une correction mineure de la hauteur. Verrouiller la machine à café en place en utilisant les « onglets de verrouillage orange ».



A. Onglets de verrouillage orange

3. Fixer le système d'infusion à café aux glissières à l'aide de deux vis de 3/16 x 3/8 po (4,2 x 9,5 mm).
4. Placer l'attache du cordon d'alimentation en haut de l'armoire, à environ 13 11/16 po (34,8 cm) de l'avant de l'armoire et centré dans le sens transversal. Marquer le trou de l'attache avec un crayon sur la face supérieure de l'armoire.
5. Au moyen d'un foret de 1/16 po (2 mm), percer un trou marqué à l'étape 4.

6. Au moyen d'une vis de 3/16 x 5/8 po (4,5 x 16 mm), fixer l'attache du cordon d'alimentation à la face supérieure de l'armoire.



A. Attache du cordon d'alimentation  
B. Cordon d'alimentation

7. Fixer le cordon d'alimentation à son attache. S'assurer que la longueur du cordon est suffisante pour pouvoir tirer complètement le système d'infusion à café hors de l'armoire et remplir le récipient à grains de café.

### **⚠ AVERTISSEMENT**



#### Risque de choc électrique

**Brancher sur une prise à 3 alvéoles reliée à la terre.**

**Ne pas enlever la broche de liaison à la terre.**

**Ne pas utiliser un adaptateur.**

**Ne pas utiliser un câble de rallonge.**

**Le non-respect de ces instructions peut causer un décès, un incendie ou un choc électrique.**

8. Brancher le système d'infusion à café dans une prise à 3 alvéoles reliée à la terre.
9. Ranger le système d'infusion à café en le faisant glisser dans son armoire.
10. Passer à la section « Terminer l'installation ».

## Terminer l'installation

1. Vérifier que toutes les pièces sont maintenant installées. S'il reste une pièce, passer en revue les différentes étapes pour découvrir laquelle aurait été oubliée.
2. Vérifier la présence de tous les outils.
3. Éliminer/recycler tous les matériaux d'emballage.

### **Pour obtenir de l'assistance ou une visite de service :**

Consulter la section « Assistance ou service » du Guide d'utilisation et d'entretien ou contacter le marchand chez qui vous avez acheté votre ensemble de garnitures décoratives.

