

27" (68.6 CM) AND 30" (76.2 CM)
BUILT-IN ELECTRIC SINGLE AND DOUBLE OVENS

27 PO (68.6 CM) ET 30 PO (76,2 CM)
FOURS ÉLECTRIQUES SIMPLES ET DOUBLES,
ENCASTRÉS

Use & Care Guide

For questions about features, operation/performance, parts, accessories, or service in the U.S.A., call:
1-800-JENNAIR (1-800-536-6247) or visit our website at www.jennair.com.
In Canada, call: **1-800-JENNAIR (1-800-536-6247)** or visit our website at www.jennair.ca.

Guide d'utilisation et d'entretien

Pour des questions à propos des caractéristiques, du fonctionnement/rendement, des pièces, accessoires ou dépannage, composer le :
1 800 JENNAIR (1 800 536-6247) ou visiter notre site Web au www.jennair.com.
Au Canada, composer le : **1 800 JENNAIR (1 800 536-6247)** ou visiter notre site Web au www.jennair.ca.



TABLE OF CONTENTS

BUILT-IN OVEN SAFETY	3
PARTS AND FEATURES	4
FEATURE GUIDE	5
Touch Panel	6
Display	6
Display Navigation	6
Menu Demonstrations	6
Kitchen Timer	8
Tones/Sounds	8
Tools	8
Button Lock	9
Oven Temperature Control	9
Sabbath Mode	9
OVEN USE	10
Aluminum Foil	10
Position Racks and Bakeware	11
Roll-Out Extension Rack	11
Bakeware	12
Oven Vents	13
Preheating and Oven Temperature	13
Baking and Roasting	13
Broiling	13
Convection	14
Convection Bake	14
Convection Roast	14
Convection Broil	14
Proofing Bread	14
Temperature Probe	15
Timed Cooking	15
OVEN CARE	16
Self-Cleaning Cycle	16
General Cleaning	16
Oven Lights	17
Oven Door	17
TROUBLESHOOTING	18
ASSISTANCE OR SERVICE	19
In the U.S.A.	19
In Canada	19
Accessories	19

TABLE DES MATIÈRES

SÉCURITÉ DU FOUR ENCASTRÉ	20
PIÈCES ET CARACTÉRISTIQUES	21
GUIDE DES CARACTÉRISTIQUES	22
Panneau tactile	23
Affichage	23
Affichage du menu	23
Démonstration de menu	23
Minuterie de cuisine	25
Tons/Sons	25
Outils	25
Verrouillage des commandes	26
Commande de la température du four	26
Mode Sabbat	27
UTILISATION AU FOUR	28
Papier d'aluminium	28
Position des grilles et des ustensiles de cuisson au four	28
Grille coulissante déployante	29
Ustensiles de cuisson	29
Événements du four	30
Préchauffage et température du four	30
Cuisson au four et rôtissage	30
Cuisson au gril	30
Convection	30
Cuisson au four par convection	31
Rôtissage par convection	31
Cuisson au gril par convection	31
Levée du pain	31
Sonde thermométrique	32
Cuisson minutée	32
ENTRETIEN DU FOUR	33
Programme d'autonettoyage	33
Nettoyage général	33
Lampes du four	34
Porte du four	34
DÉPANNAGE	35
ASSISTANCE OU SERVICE	37
Au Canada	37
Accessoires	37

BUILT-IN OVEN SAFETY

Your safety and the safety of others are very important.

We have provided many important safety messages in this manual and on your appliance. Always read and obey all safety messages.



This is the safety alert symbol.

This symbol alerts you to potential hazards that can kill or hurt you and others.

All safety messages will follow the safety alert symbol and either the word “DANGER” or “WARNING.”

These words mean:

⚠ DANGER

You can be killed or seriously injured if you don't immediately follow instructions.

⚠ WARNING

You can be killed or seriously injured if you don't follow instructions.

All safety messages will tell you what the potential hazard is, tell you how to reduce the chance of injury, and tell you what can happen if the instructions are not followed.

IMPORTANT SAFETY INSTRUCTIONS

WARNING: To reduce the risk of fire, electrical shock, injury to persons, or damage when using the oven, follow basic precautions, including the following:

- Proper Installation – Be sure the oven is properly installed and grounded by a qualified technician.
- Never Use the Oven for Warming or Heating the Room.
- Do Not Leave Children Alone – Children should not be left alone or unattended in area where oven is in use. They should never be allowed to sit or stand on any part of the oven.
- Wear Proper Apparel – Loose-fitting or hanging garments should never be worn while using the oven.
- User Servicing – Do not repair or replace any part of the oven unless specifically recommended in the manual. All other servicing should be referred to a qualified technician.
- Storage in Oven – Flammable materials should not be stored in an oven.
- Do Not Use Water on Grease Fires – Smother fire or flame or use dry chemical or foam-type extinguisher.
- Use Only Dry Potholders – Moist or damp potholders on hot surfaces may result in burns from steam. Do not let potholder touch hot heating elements. Do not use a towel or other bulky cloth.
- Use Care When Opening Door – Let hot air or steam escape before removing or replacing food.
- Do Not Heat Unopened Food Containers – Build-up of pressure may cause container to burst and result in injury.

- Keep Oven Vent Ducts Unobstructed.
- Placement of Oven Racks – Always place oven racks in desired location while oven is cool. If rack must be moved while oven is hot, do not let potholder contact hot heating element in oven.
- DO NOT TOUCH HEATING ELEMENTS OR INTERIOR SURFACES OF OVEN – Heating elements may be hot even though they are dark in color. Interior surfaces of an oven become hot enough to cause burns. During and after use, do not touch, or let clothing or other flammable materials contact heating elements or interior surfaces of oven until they have had sufficient time to cool. Other surfaces of the oven may become hot enough to cause burns – among these surfaces are oven vent openings and surfaces near these openings, oven doors, and windows of oven doors.

For self-cleaning ovens:

- Do Not Clean Gasket – The gasket is essential for a good seal. Care should be taken not to rub, damage, or move the gasket.
- Do Not Use Oven Cleaners – No commercial oven cleaner or oven liner protective coating of any kind should be used in or around any part of the oven.
- Clean Only Parts Listed in Manual.
- Before Self-Cleaning the Oven – Remove broiler pan and other utensils.

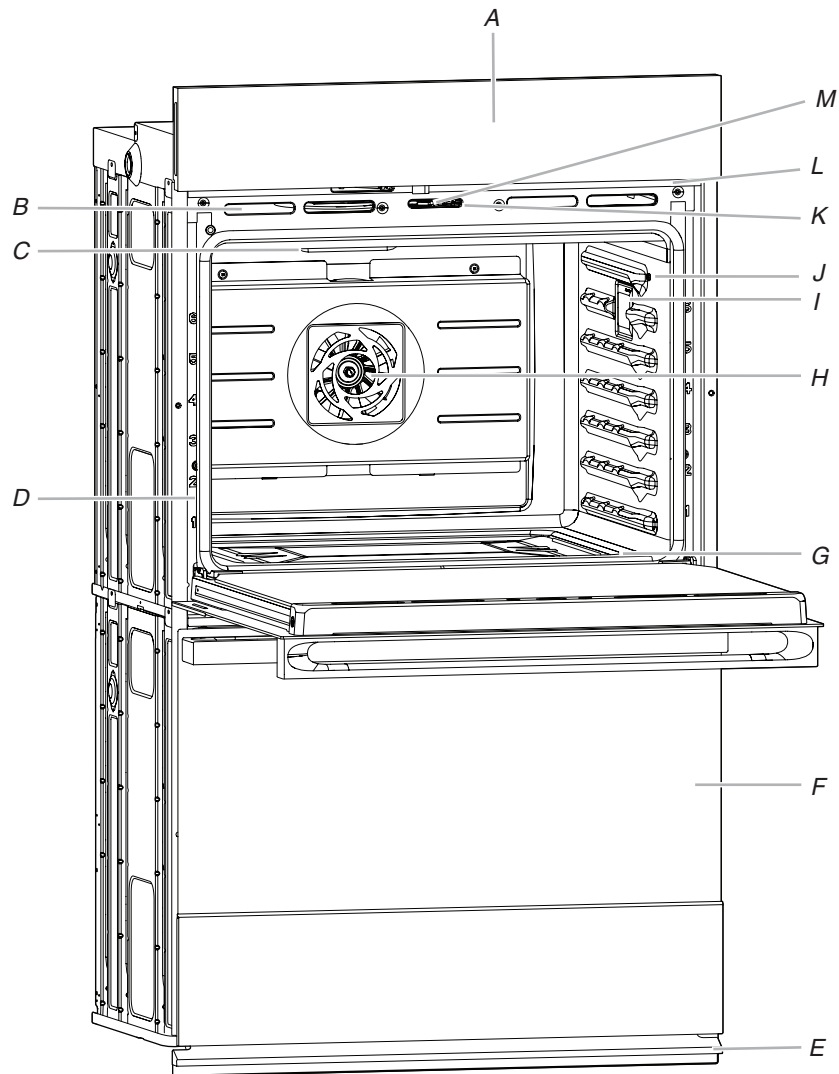
For smart enabled ovens:

- Remote Operation – This appliance is configurable to allow remote operation at any time. Do not store any flammable materials or temperature sensitive items inside of the appliance.

SAVE THESE INSTRUCTIONS

PARTS AND FEATURES

This manual covers several models. Your model may have some or all of the items listed. Refer to this manual or the Frequently Asked Questions (FAQs) section of our website at www.jennair.com for more detailed instructions. In Canada, refer to the Customer Service Section at www.jennair.ca.



- A. Electronic oven control
- B. Oven vent
- C. Broil elements
- D. Gasket
- E. Bottom vent
- F. Lower oven (on double oven models)
- G. Hidden bake element

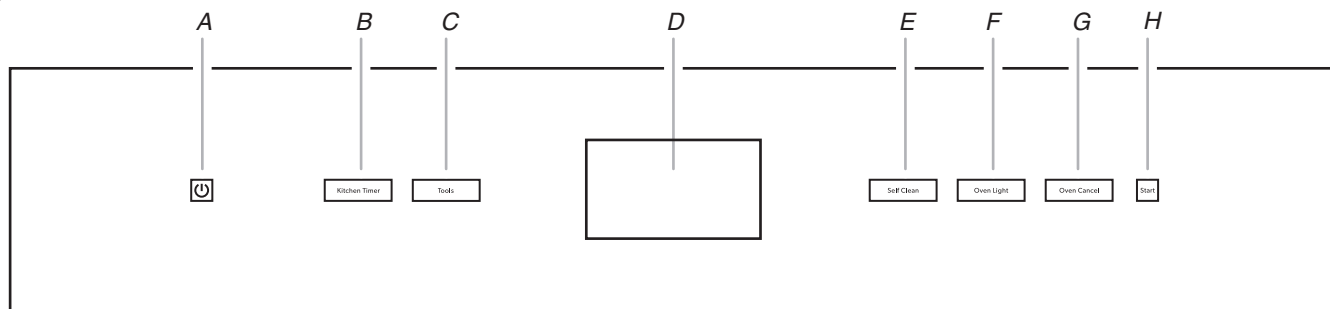
- H. Convection element and fan
- I. Oven lights (left side, not shown)
- J. Temperature probe jack
- K. Oven door lock latch
- L. Model and serial number plate
(on right-hand side underneath
the control panel)
- M. Oven light switch

Parts and Features not shown
 Temperature probe
 Racks

FEATURE GUIDE

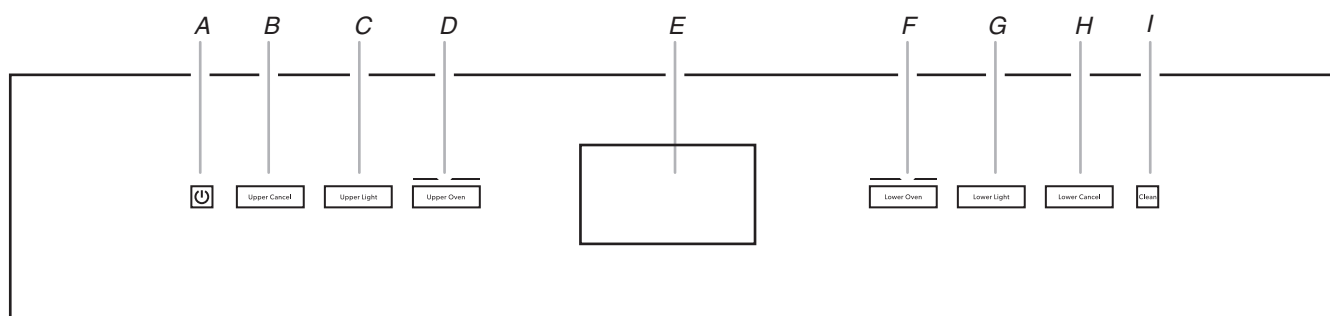
This manual covers several models. Your model may have some or all of the items listed. Refer to this manual or the Frequently Asked Questions (FAQs) section of our website at www.jennair.com for more detailed instructions. In Canada, refer to the Customer Service Section at www.jennair.ca.

Single Oven:




- A. Power
- B. Kitchen timer
- C. Tools
- D. Display
- E. Self clean
- F. Oven light
- G. Oven cancel
- H. Start

Double Oven:



- A. Power
- B. Upper cancel
- C. Upper light
- D. Upper oven
- E. Display
- F. Lower oven
- G. Lower light
- H. Lower cancel
- I. Clean

KEYPAD	FEATURE	INSTRUCTIONS
POWER 	Power	Touch the Power keypad to turn the oven display on and off.
OVEN LIGHT UPPER LIGHT LOWER LIGHT	Oven cavity light	The desired oven light is controlled by a touch keypad on the oven control panel. While the oven door is closed, touch the desired Oven Light keypad to turn the oven lights on and off. When the oven door is opened, the oven lights will automatically come on for the corresponding oven.
KITCHEN TIMER (on some models)	Timer	The Kitchen Timer can be set in hours, minutes, or seconds up to 23 hours, 59 minutes, and 59 seconds. The Kitchen Timer does not start or stop the oven(s).
OVEN CANCEL UPPER CANCEL LOWER CANCEL (on some models)	Oven function	The Lower Cancel, Upper Cancel, and Cancel keypads stop their respective oven functions except for the Clock, Kitchen Timer, and Button Lock. The oven cooling fan(s) may continue to operate even after an oven function has been canceled or completed, depending on the oven temperature.
START (on some models)	Mode Start	The Start keypad begins some oven functions. If Start is not touched within 2 minutes after touching a keypad, the function is canceled, and the time of day is displayed.
CLEAN SELF CLEAN (on some models)	Self-Cleaning cycle	See the "Self-Clean Cycle" section.
TOOLS (on some models)	Oven use function	The Tools keypad enables you to personalize the oven operation to suit your needs. See the "Tools" section.
UPPER OVEN LOWER OVEN (on some models)	Oven selection	The Upper and Lower Oven keypads enable you to select which oven you want to use.

Touch Panel

The touch panel houses the control menu and function controls. The touch pads are very sensitive and require only a light touch to activate.

For more information about the individual controls, see their respective sections in this manual.

Welcome Guide

This appears on your display the first time the oven is powered up. The Welcome Guide allows you to set up your new oven.

After every selection, a tone will sound.

1. Select your language.
2. Select the clock by scrolling to the correct time in the hours and minutes column. You can then select AM/PM or 24-hour clock (military time).
3. Choose to have daylight savings time AUTO SYNC (turn on), or DO NOT ADJUST (turn off).
4. Enter current date (MM/DD/YYYY) by scrolling to the column to set the MONTH, DAY, and YEAR. Touch SAVE.
5. Select the units of temperature. You can choose Fahrenheit or Celsius. Touch SAVE.
6. Select the Clock Theme by scrolling to the desired setting. Touch SAVE.

NOTE: This is the background for the center touch display.

Display

The display is for both the menu and oven function controls. The touchscreen allows you to scroll through the oven menus. The display is very sensitive and requires only a light touch to activate and control.

When an oven is in use, the display will show the clock, mode, oven temperature, kitchen timer, and oven timer, if set. If the oven timer is not set, you can set it from this screen.

After approximately 2 minutes of inactivity, the display will go into sleep mode and the display will dim. When the oven is in operation, the display will remain bright.

During use, the display will show menus and the appropriate selections for the options being chosen.

Display Navigation

If the oven is off, touch the Power keypad to activate the menu. From the home screen, all automatic cooking programs can be activated, all manual cooking programs can be set, options can be adjusted, and instructions, preparation, and tips can be accessed.

Menu Demonstrations

WARNING

Food Poisoning Hazard

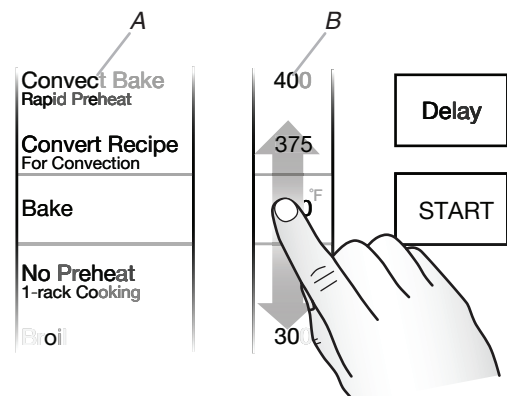
Do not let food sit in oven more than one hour before or after cooking.

Doing so can result in food poisoning or sickness.

In double oven models, touch the corresponding oven keypad to show the cooking modes and temperatures for the desired oven.
NOTE: A line will appear above the corresponding oven.

In single oven models, the display will show cooking modes and temperatures when the oven is turned on.

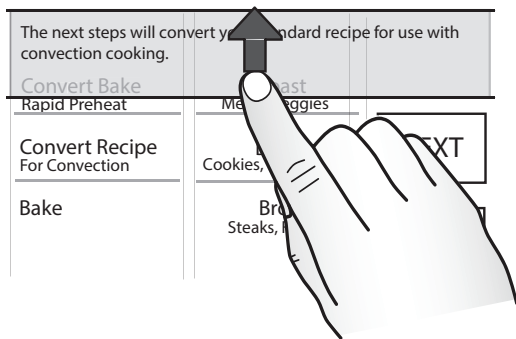
Bake Demonstration



A. Modes column
B. Temperature column

1. Confirm the Bake mode is selected.
2. In the temperature column, scroll to the desired temperature. The temperature must be between 170°F and 550°F (77°C and 288°C)
3. Touch START to begin preheating.

Drop-down Message Demonstration



There are some menus that prompt a drop-down message to appear. Once the message is read, you can dismiss the menu by touching the directional arrow and swiping up.

Cook Time Demonstration (Optional)

NOTE: In some cooking modes the user can set the cooking time while other modes have fixed times.

To set a cooking time, follow these instructions.

1. To set a cook time, touch OVEN TIMER once the cycle begins. Use the time columns or number keypads to enter the cooking length.

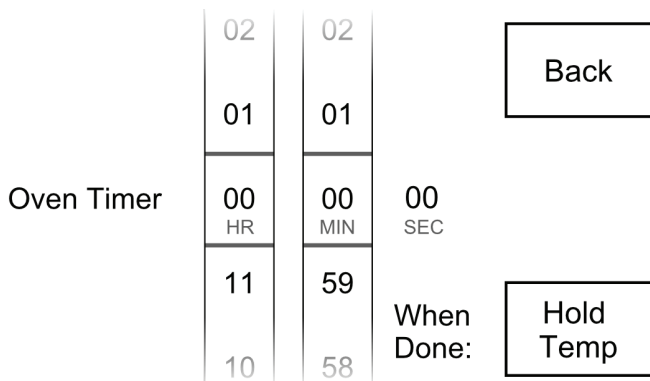
2. Touch START to begin the timer.

NOTE: The Oven Timer is only visible once a cooking cycle has been activated.

OR

Select oven action when the timer expires. The default action is Hold Temp.

To change the default oven end of cycle action, touch HOLD TEMP, then select the desired oven action. Touch SET when completed or touch Back to return to the oven timer screen.

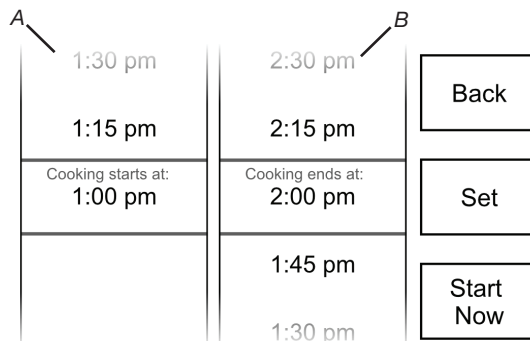


Keep Warm™ setting will reduce the oven temperature to 170°F (77°C) after the cook time ends. Hold Temp will keep the set oven temperature after the cook time ends. Oven Off will turn the oven off when the cook time ends.

Delay Start Demonstration (Optional)

1. To set a delayed start and end time, touch DELAY.

NOTE: The cooking start time always begins on the nearest quarter hour (0:00, 0:15, 0:30 and 0:45). The cooking time includes oven preheating time. Adjust the start and end times accordingly.



A. Start time column
B. End time column

2. Touch or scroll to the desired cooking start time in the Start Time column on the left-hand side. The oven cannot be delayed more than 11 hours and 45 minutes.
3. Touch or scroll to the desired cooking end time in the End Time column on the right-hand side. The cook time cannot be longer than 12 hours.
4. Touch BACK to return to the Cooking Mode menu or Touch SET when done. The oven will start preheating when the Start Time is reached. Once the end time is reached, the oven will go in to Keep Warm mode by default.
5. Touch START NOW to start the oven from the Delay screen. **NOTE:** Do not use Delay Start for items that require a preheated oven, such as cakes, cookies, and breads. If food is in the oven during preheat, it may become overcooked.
6. To change a cooking mode or temperature while the oven is preheating or in a Delay Start, touch the cooking mode key, make the new selection, and then touch SET.
7. Touch OVEN CANCEL, UPPER CANCEL, or LOWER CANCEL to turn off the desired oven.

Cooking Modes

The previous steps can be used for the following cooking modes:

MODE	TEMP. RANGE	DEFAULT TEMP.
Convect Frozen Pizza	300°F–500°F (149°C–260°C)	375°F (191°C)
Convect Pastry	170°F–550°F (77°C–288°C)	325°F (163°C)
Convect Slow Roast 12hrs	190°F–225°F (88°C–107°C)	200°F (93°C)
Convect Slow Roast 8hrs	200°F–250°F (93°C–121°C)	225°F (107°C)
Convect Slow Roast 4hrs	250°F–300°F (121°C–149°C)	275°F (135°C)
Convect Roast	170°F–550°F (77°C–288°C)	350°F (177°C)
Convect Broil	450°F–550°F (232°C–288°C)	550°F (288°C)
Convect Bake	170°F–550°F (77°C–288°C)	325°F (163°C)
Convect Bake – Rapid Preheat	170°F–550°F (77°C–288°C)	325°F (163°C)

MODE	TEMP. RANGE	DEFAULT TEMP.
Bake	170°F–550°F (77°C–288°C)	350°F (177°C)
Broil	450°F–550°F (232°C–288°C)	550°F (288°C)
Keep Warm	150°F–200°F (66°C–93°C)	170°F (77°C)
Rapid Proof	110°F (43°C)	110°F (43°C)
Proof	100°F (38°C)	100°F (38°C)
Convert Recipe For Convection	-	-
Probe Cook	-	-
My Creations	-	-

Kitchen Timer

The Kitchen Timer can be set in hours, minutes, and seconds.

NOTE: The Kitchen Timer does not start or stop the oven.

Tones/Sounds

Tones are audible signals, indicating the following:

- Valid keypad touch
- Function has been entered
- Preheat cycle has been completed
- Invalid keypad touch
- End of a cooking cycle
- When timer reaches zero
- Includes using the Kitchen Timer for functions other than cooking.
- First oven element activation in a cooking mode.

Tools

The Tools selection key allows you access to functions and customization options within the Electronic Oven Control. These tools allow you to set the clock, change the oven temperature between Fahrenheit and Celsius, turn the audible signals and prompts on and off, and adjust the oven calibration, change the language, and more. The Sabbath Mode is also set using the Tools selection key.

MODE	AVAILABLE SELECTIONS
Sabbath	■ Sets Sabbath Mode
Demo Mode	■ On ■ Off (Default)
Temp Units	■ Celsius ■ Fahrenheit (Default)
Language	■ Français ■ English (Default)
Display On/Off	■ Display Off ■ Display Dimmed (Default)
Clock On/Off	■ Clock Off ■ Clock On (Default)
Brightness	■ Max ■ High ■ Med (Default) ■ Low ■ Dim
Sound	■ Key Press ■ Timer & Alert (Default) ■ Power On & Off
Clock Theme	■ Textures ■ Celebration ■ Culinary ■ Clock Only ■ Animation (Default) ■ Spring ■ Summer ■ Fall ■ Winter
Time & Date	■ Daylight Saving ■ Clock Style ■ Set Clock (Default) ■ Set Date
Self Clean	■ Starts the Self Clean Cycle
Button Lock	■ Press Lock to lock controls
Number Entry	■ Num. Pad ■ Scroll (Default)
Probe	■ Use for Probe Cooking Mode
Temp Calib.	■ +35°F to -35°F ■ +20°C to -20°C
Touch Calib.	■ Use to calibrate touch screen
Service Info.	■ Model Number and Serial Number
Legal Info.	■ License Information
Restore Defaults	■ Restores Factory Defaults

Button Lock

The Button Lock shuts down the control panel keypads to avoid unintended use of the oven(s). The Button Lock will remain set after a power failure if it was set before the power failure occurs. When the control is locked, only the Power keypad will function.

The Button Lock is preset unlocked but can be locked.

To Activate the Button Lock:

1. From the Tools menu, touch BUTTON LOCK.
2. Touch LOCK to activate the Button Lock mode.

NOTE: The touch screen will return to idle mode and a control locked message will be displayed.

To Deactivate the Button Lock:

1. Touch the Power keypad, and then follow the on-screen directions.

NOTE: The oven will generate a random sequence of shapes that must be touched in the order prompted on the screen.

Oven Temperature Control

IMPORTANT: Do not use a thermometer to measure the oven temperature. Elements will cycle on and off as needed to maintain a consistent temperature but may run slightly hot or cool at any point in time due to this cycling. Opening the oven door will affect cycling of the elements and impact the temperature.

The oven provides accurate temperatures and has been thoroughly tested at the factory. However, it may cook faster or slower than your previous oven, causing baking or browning differences. If necessary, the temperature calibration can be adjusted in either Fahrenheit or Celsius.

On double ovens, the upper oven and the lower oven can each be calibrated independently.

A minus sign means the oven will be cooler by the displayed amount. The absence of a minus sign means the oven will be warmer by the displayed amount. Use the following chart as a guide.

NOTE: The oven display will continue to show the original set temperature and will not reflect the calibration offset. For example, if set to 350° (177°C) and calibrated to -20, the display will continue to show 350° (177°C).

ADJUSTMENT °F (AUTOMATIC °C CHANGE)	COOKS FOOD
10°F (6°C)	...a little more
20°F (12°C)	...moderately more
30°F (18°C)	...much more
0°F (0°C)	default setting
-10°F (-6°C)	...a little less
-20°F (-12°C)	...moderately less
-30°F (-18°C)	...much less

Sabbath Mode

The Sabbath Mode sets the oven(s) to remain on in a bake setting until turned off. A timed Sabbath Mode can also be set to keep the oven on for only part of the Sabbath.

When the Sabbath Mode is set, the allowed keypads are the Power keypad and the Cancel keypads.

When the oven door is opened or closed, the oven light will not turn on or off, and the heating elements will not turn on or off immediately.

If a power failure less than 1 second occurs when the Sabbath Mode is set, the oven(s) will remain in Sabbath Mode and continue cooking.

For a power failure that lasts greater than a few seconds, the oven(s) will return to an idle state and Sabbath mode will no longer be active. For double ovens, the upper and lower oven temperatures and cook timers can be set independently. If a cook timer is set, the countdown will not appear. The timer will appear frozen at the set time.

To Activate:

1. Touch the Power keypad, and then touch TOOLS.
2. From the Mode menu, select "Sabbath" and touch NEXT.
3. Touch ON, and then touch SETUP.
NOTE: The programmed status of the oven(s) will be displayed.
4. Touch CHANGE.
5. For single ovens, go to Step 6. For double ovens, select the desired oven, and then touch NEXT.
6. Select the desired oven temperature and touch NEXT.
7. (Optional) Set Bake Time (00:00) and touch SET.

OR

Touch SKIP TIMER.

8. For single ovens, touch START. For double ovens, touch START to begin Sabbath Mode, or touch CHANGE to edit the current programming or to program the other oven.

To Deactivate:

Sabbath Mode can be deactivated on all cavities, once activated, by touching the Power keypad.

For single ovens, Sabbath Mode can also be deactivated by touching Cancel.

For double ovens, if both ovens are running, touching Cancel for one oven will turn off Sabbath Mode for both ovens and will turn off the selected oven. The other oven will return to a regular Bake mode.

Delayed Sabbath Bake:

WARNING

Food Poisoning Hazard

Do not let food sit in oven more than one hour before or after cooking.

Doing so can result in food poisoning or sickness.

For double ovens, the upper and lower oven temperatures and cook timers can be set independently.

If a cook timer is set, the countdown will not appear. The timer will appear frozen at the set time.

To Activate:

1. Touch the Power keypad, and then touch TOOLS.
2. From the Mode menu, select "Sabbath" and touch NEXT.
3. Touch ON, and then touch SETUP.
NOTE: The programmed status of the oven(s) will be displayed.
4. Touch CHANGE.
5. For single ovens, go to Step 6. For double ovens, select the desired oven, and then touch NEXT.
6. Select the desired oven temperature and touch NEXT.

7. (Optional) Set Bake Time (00:00) and touch SET.
OR
Touch SKIP TIMER.
8. Touch DELAY and set both the "Cooking Starts at" time.
NOTE: If a bake time is set in the previous steps, the "Cooking ends at" will be calculated based on the bake time. If the timer is not set, the Sabbath Mode will continue until canceled.
9. Touch SET.
10. Review the settings and touch START to begin the baking cycle.
NOTE: Once the timer ends; opening and closing the oven door will deactivate the Sabbath Mode.

Change Temperature

The oven temperatures can be changed while running Sabbath Mode by touching the -25° F (-5°C) or +25°F (+5° C). Touching these buttons will not result in any changes to the screen and no sound will play.

As an example, touching the +25°F (+5° C) button 3 times will result in an oven cavity temperature increase of +75° F (+15° C); however, the initial oven cavity set temperature will remain on the screen.

NOTE: On double oven models, the oven cavity temperature may be set individually.

OVEN USE

Odors and smoke are normal when the oven is used the first few times or when it is heavily soiled.

During oven use, the heating elements will not remain on but will cycle on and off throughout oven operation.

IMPORTANT: The health of some birds is extremely sensitive to the fumes given off. Exposure to the fumes may result in death to certain birds. Always move birds to another closed and well-ventilated room.

If the oven door is opened during a cooking mode and left open for approximately 60 seconds, the cooling fan will switch to a higher speed. You may experience higher noise during this time. When the oven door is closed, the fan will switch back to its lower speed after approximately 60 seconds.

Aluminum Foil

IMPORTANT: To avoid permanent damage to the oven bottom finish, do not line the oven bottom with any type of foil or liner.

- For best cooking results, do not cover entire rack with foil because air must be able to move freely.
- To catch spills, place foil on rack below dish. Make sure foil is at least 1/2" (1.3 cm) larger than the dish and that it is turned up at the edges.

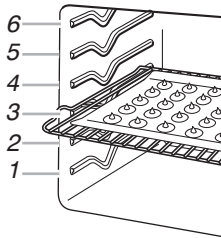
Position Racks and Bakeware

IMPORTANT: To avoid permanent damage to the porcelain finish, do not place food or bakeware directly on the oven door or bottom.

Racks

- Position racks before turning on the oven.
- Do not position racks with bakeware on them.
- Make sure racks are level.

To move a rack, pull it out to the stop position, raise the front edge, and lift out. Use the following illustration and charts as guides.



Rack And Bakeware Positions

Rack Positions – Upper and Lower Oven

Broiling

FOOD	RACK POSITION
Most broiling	6

For hamburger patties to have a well-seared exterior and a rare interior, use a flat rack in position 6. Side 1 should cook for approximately 3 minutes. Side 2 should cook for approximately 3 to 4 minutes. Expect a moderate degree of smoke when broiling.

Traditional Cooking

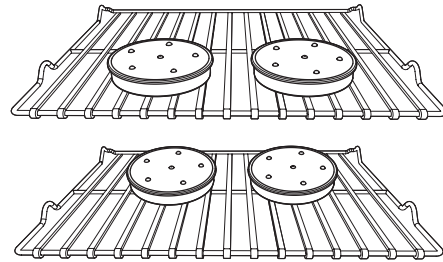
FOOD	RACK POSITION
Large roasts, turkeys, angel food cakes, bundt cakes, quick breads, pies	1 or 2
Yeast breads, casseroles, meat, poultry	2
Cookies, biscuits, muffins, cakes	2 or 3 when single-rack baking; 2 and 5 when multi-rack baking

Convection Cooking

OVEN SETTING	NUMBER OF RACKS USED	RACK POSITION(S)
Rapid Preheat Bake	1	3
Rapid Preheat Convection Bake	1	3
Convection Bake	1	1, 2 or 3
Convection Bake	2	2 and 5
Convection Bake	3	1, 3 and 5
Convection Roast	1	1 or 2
Convection Broil	1	4, 5 or 6

Baking Cakes on 2 Racks

For best results when baking cakes on 2 racks, use the Bake function and racks in positions 2 and 5. Place the cakes on the racks as shown. Keep at least 2 inches of space between the front of the racks and the front of the cakes.



Baking Cookies on 2 Racks

For best results when baking cookies on 2 racks, use the Convection Bake function and place racks in positions 2 and 5.

Bakeware

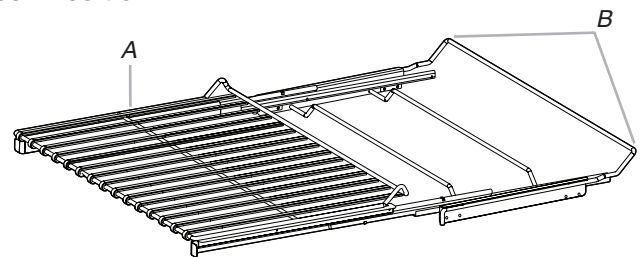
To cook food evenly, hot air must be able to circulate. For best results, allow 2" (5 cm) of space around bakeware and oven walls. Use the following chart as a guide.

NUMBER OF PAN(S)	POSITION ON RACK
1	Center of rack.
2	Side by side or slightly staggered.
3 or 4	See the rack position graphics in this section for pan placement recommendations.

Roll-Out Extension Rack

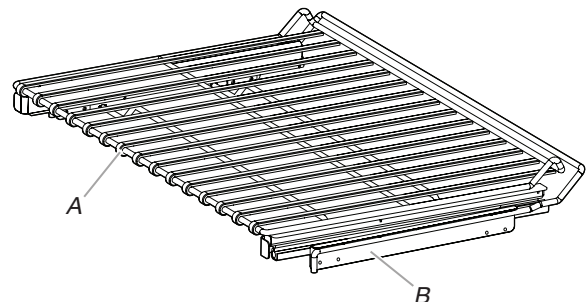
The roll-out extension rack allows easy access to position food in the oven, and remove food from the oven. It can be used in rack positions 1 through 6.

Open Position



A. Roll-out extension rack
B. Sliding shelf

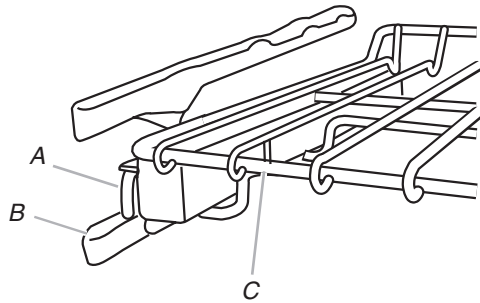
Closed and Engaged Position



A. Roll-out extension rack
B. Sliding shelf

To Remove Roll-Out Extension Rack:

1. Slide the rack in completely so that it is closed and engaged with the sliding shelf.
2. Using 2 hands, lift up on the front edge of the rack and push the sliding shelf to the back wall of the oven so that the front edge of the sliding shelf sits on the rack guides. The front edge of the rack and the sliding shelf should be higher than the back edge.



A. Sliding shelf
B. Rack guide
C. Roll-out extension rack

3. Pull the rack and the sliding shelf out.

To Replace Roll-Out Extension Rack:

1. Using 2 hands, grasp the front of the closed rack and the sliding shelf. Place the closed rack and the sliding shelf on the rack guide.
2. Using 2 hands, lift up on the front edge of the rack and the sliding shelf together.
3. Slowly push the rack and the sliding shelf to the back of the oven until the back edge of the rack pulls over the end of the rack guide.

To avoid damage to the sliding shelves, do not place more than 25 lbs (11.4 kg) on the rack.

Do not clean the roll-out extension rack in a dishwasher. It may remove the rack's lubricant and affect its ability to slide.

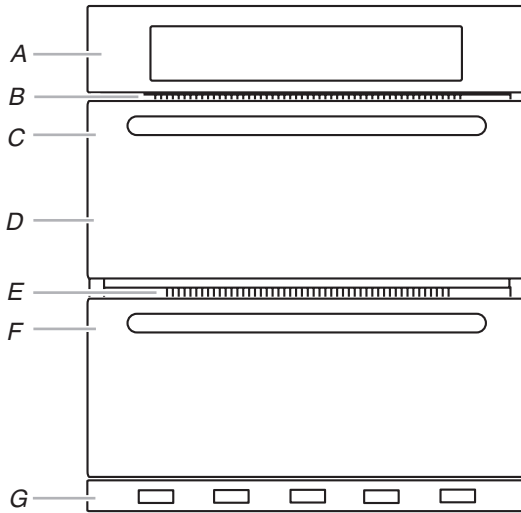
See the "General Cleaning" section for more information.

Bakeware

The bakeware material affects cooking results. Follow manufacturer's recommendations and use the bakeware size recommended in the recipe. Use the following chart as a guide.

BAKEWARE/ RESULTS	RECOMMENDATIONS
Light-colored aluminum <ul style="list-style-type: none">■ Light golden crusts■ Even browning	<ul style="list-style-type: none">■ Use temperature and time recommended in recipe.
Dark aluminum and other bakeware with dark, dull and/or nonstick finish <ul style="list-style-type: none">■ Brown, crisp crusts	<ul style="list-style-type: none">■ May need to reduce baking temperatures slightly.■ Use suggested baking time.■ For pies, breads, and casseroles, use temperature recommended in recipe.■ Place rack in center of oven.
Insulated cookie sheets or baking pans <ul style="list-style-type: none">■ Little or no bottom browning	<ul style="list-style-type: none">■ Follow rack recommendations in the "Position Racks and Bakeware" section.■ May need to increase baking time.
Stainless steel <ul style="list-style-type: none">■ Light, golden crusts■ Uneven browning	<ul style="list-style-type: none">■ May need to increase baking time.
Stoneware/Baking stone <ul style="list-style-type: none">■ Crisp crusts	<ul style="list-style-type: none">■ Follow manufacturer's instructions.
Ovenproof glassware or ceramic <ul style="list-style-type: none">■ Brown, crisp crusts	<ul style="list-style-type: none">■ May need to reduce baking temperatures slightly.

Oven Vents



Single and Double Oven

- A. Control panel
- B. Oven vent
- C. Single oven or upper double oven
- G. Bottom vent

Double Oven

- D. Upper oven
- E. Oven vent
- F. Lower oven
- G. Bottom vent

The oven vents should not be blocked or covered since they allow the inlet of fresh air into the cooling system and allows the venting of heated air. Blocking or covering vents will cause poor air circulation, affecting cooking, cleaning, and cooling results.

Preheating and Oven Temperature

Preheating

When beginning a Bake or Convection Bake cycle, the oven begins preheating after Start is pressed. The oven will take approximately 12 to 18 minutes to reach 350°F (177°C) with all of the oven racks provided with your oven inside the oven cavity. Higher temperatures will take longer to preheat. The preheat cycle rapidly increases the oven temperature. The actual oven temperature will go above your set temperature to offset the heat lost when your oven door is opened to insert food. This ensures that when you place your food in the oven, the oven will begin at the proper temperature. Insert your food when the preheat tone sounds. Do not open the door during preheat until the tone sounds.

NOTE: If the cook timer is set and the oven door is opened during preheating, the timer will automatically start.

Oven Temperature

While in use, the oven elements will cycle on and off as needed to maintain a consistent temperature. They may run slightly hot or cool at any point in time due to this cycling. Opening the oven door while in use will release the hot air and cool the oven which could impact the cooking time and performance. It is recommended to use the oven light to monitor cooking progress.

Baking and Roasting

IMPORTANT: The convection fan and convection element may operate during the Bake function to enhance performance and heat distribution.

The oven will take approximately 12 to 18 minutes to reach 350°F (177°C) with all oven racks inside the oven cavity. The preheat cycle rapidly increases the temperature inside the oven cavity. Higher temperatures will take longer to preheat. Factors that impact preheat times include room temperature, oven

temperature, and the number of racks. Unused oven racks can be removed prior to preheating your oven to help reduce preheat time. The actual oven temperature will go above the set temperature to offset the heat lost when the oven door is opened to insert food. This ensures that the oven will begin at the proper temperature when you place food in the oven. Insert food when the preheat tone sounds. Do not open the door during preheat until the tone sounds.

During baking or roasting, the bake and broil elements will cycle on and off in intervals to maintain the oven temperature.

Depending on the model, if the oven door is opened during baking or roasting, the heating elements (bake and broil) will turn off approximately 30 seconds after the door is opened. They will turn on again approximately 30 seconds after the door is closed.

Broiling

Broiling uses direct radiant heat to cook food.

The element cycles on and off in intervals to maintain the oven temperature.

NOTE: No preheating is required for the Broiling function.

IMPORTANT: Close the door to ensure proper broiling temperature.

If the oven door is opened during broiling, the broil element will turn off in approximately 30 seconds. When the oven door is closed, the element will come back on approximately 30 seconds later.

- For best results, use a broiler pan and grid. It is designed to drain juices and help avoid spatter and smoke.
- For proper draining, do not cover the grid with foil. The bottom of the broiler pan may be lined with aluminum foil for easier cleaning.
- Trim excess fat to reduce spattering. Slit the remaining fat on the edges to avoid curling.
- Pull out oven rack to stop position before turning or removing food. Use tongs to turn food to avoid the loss of juices. Very thin cuts of fish, poultry or meat may not need to be turned.
- After broiling, remove the pan from the oven when removing the food. Drippings will bake on the pan if left in the heated oven, making cleaning more difficult.

Convection

In a convection oven, the fan-circulated hot air distributes heat more evenly. This movement of hot air helps maintain a consistent temperature throughout the oven, cooking foods more evenly, while sealing in moisture.

Most foods, using convection baking mode, can be cooked by lowering cooking temperatures 25°F (14°C). The cooking time can be shortened significantly when using Convection Roast, especially for large turkeys and roasts.

- It is important not to cover foods with lids or aluminum foil so that surface areas remain exposed to the circulating air, allowing browning and crisping.
- Keep heat loss to a minimum by opening the oven door only when necessary. It is recommended to use the oven light to monitor progress.
- Choose cookie sheets without sides and roasting pans with lower sides to allow air to move freely around the food.
- Test baked goods for doneness a few minutes before the minimum cooking time using a method such as a toothpick.
- Use a meat thermometer or the temperature probe to determine the doneness of meats and poultry. Check the temperature of pork and poultry in 2 or 3 places.

Convection Bake

The convection element is hidden in the rear panel of the oven cavity and, assisted by the convection fan, provides balanced, efficient heating.

Convection baking can be used for baking delicate cakes and pastries, as well as foods on multiple racks. It is helpful to stagger items on the racks to allow a more even flow of heat. If the oven is full, extra cooking time may be needed.

When cooking an oven meal with several different types of foods, be sure to select recipes that require similar temperatures. Cookware should sit in the oven with at least 2" (5 cm) of space between the cookware and the sides of the oven.

During convection baking preheat, the convection, bake, and broil elements all heat the oven cavity. After preheat, these elements will cycle on and off in intervals to maintain oven temperature, while the fan circulates the hot air.

If the oven door is opened during convection baking, the fan turns off immediately and turns on as soon as the door is closed. Convection, bake, and broil elements will turn off approximately 30 seconds after the door is opened. They will turn on again approximately 30 seconds after the door is closed.

NOTE: It is normal for the convection fan to run during non-convection cycles as well as during preheat.

- Reduce recipe temperature 25°F (14°C). The cook time may need to be reduced also.

To Convection Bake:

Before convection baking, position racks according to the "Positioning Racks and Bakeware" section.

Convection Roast

Convection roasting can be used for roasting meats and poultry. During convection roasting, the bake, broil, and convection elements will cycle on and off in intervals to maintain oven temperature, while the fan circulates the hot air.

If the oven door is opened during convection roasting, the fan turns off immediately and turns on as soon as the door is closed. The bake, broil, and convection elements will turn off approximately 30 seconds after the door is opened. They will turn on again approximately 30 seconds after the door is closed.

NOTE: It is normal for the convection fan to run during non-convection cycles as well as during preheat.

To Convection Roast:

Before convection roasting, position racks according to the "Positioning Racks and Bakeware" section. It is not necessary to wait for the oven to preheat before putting food in, unless recommended in the recipe.

Convection Broil

During convection broiling, the broil element will cycle on and off in intervals to maintain oven temperature, while the fan circulates the hot air.

The temperature is preset at 550°F (288°C), but can be changed to a different temperature. Cooking times will vary depending on the rack position and temperature, and may need to be adjusted.

If the oven door is opened during convection broiling, the fan turns off immediately and turns on as soon as the door is closed. Broil elements will turn off approximately 30 seconds after the door is opened. They will turn on again approximately 30 seconds after the door is closed.

NOTE: It is normal for the convection fan to run during non-convection cycles as well as during preheat.

To Convection Broil:

For ideal performance allow the oven to preheat for 5 minutes (no preheat tone will sound). Position food on the unheated grid on the broiler pan, and then place it in the center of the oven rack with the longest side parallel to the door.

Proofing Bread

Proofing bread prepares dough for baking by activating the yeast. Proofing twice is recommended unless the recipe directs otherwise.

To Proof:

For best performance, ensure your oven cavity temperature is below 120°F (49°C) before placing dough in oven cavity. Before first proofing, place dough in a lightly greased bowl and cover loosely with plastic wrap coated with shortening or cooking spray. Place on a rack in rack position 2. See "Positioning Racks and Bakeware" for diagram. Close door.

1. Touch PROOF. Display will show 100°F (38°C).
2. Touch START.

Let dough rise until nearly doubled in size. Check at 20 to 25 minutes. Proofing time may vary depending on dough type and quantity.

3. Touch CANCEL for the selected oven when finished proofing.

Before second proofing, shape dough, place in baking pan(s) and cover loosely. Follow the same placement and control steps above. Before baking, remove waxed paper or plastic wrap.

Temperature Probe

The temperature probe accurately measures the internal temperature of meat, poultry and casseroles with liquid and should be used in determining the doneness of meat and poultry. The temperature probe should only be used with Bake, Convection Bake, or Convection Roast.

Always unplug and remove the temperature probe from the oven when removing food.

To Use:

Before using, insert the probe into the food item. For meats, the probe tip should be located in the center of the thickest part of the meat and not into the fat or touching a bone. Place food in oven and connect the temperature probe to the jack. Keep probe as far away from heat source as possible. Close oven door.

NOTE: The temperature probe must be inserted into the food item before the mode is selected.

1. Touch the Power keypad or select "Probe Cook" from the Cooking Mode menu.
2. Scroll to the desired cooking mode.
3. Scroll to the desired oven temperature.
4. Scroll to the desired food temperature.
5. Touch START.

OR

Touch DELAY to delay the baking cycle. Refer to the "Timed Cooking" section for setting delayed start and stop times.

Timed Cooking

WARNING

Food Poisoning Hazard

Do not let food sit in oven more than one hour before or after cooking.

Doing so can result in food poisoning or sickness.

Cook Time and Delay Start allow the oven(s) to be set to turn on at a certain time of day, cook for a set length of time, and/or shut off automatically. Delay Start should not be used for food such as breads and cakes because they may not bake properly.

To Set an Oven Time:

The Oven Timer will turn the selected oven off when the set time has expired. The maximum length is 11:59:00.

1. Touch the desired cooking mode and scroll to the desired oven temperature, then touch START.
2. Touch OVEN TIMER next to the displayed cooking mode and temperature.

3. Scroll to the desired length of time for the Oven Timer.
4. Touch START.

OR

Touch WHEN DONE to select the behavior of the oven after the Oven Timer has completed. Choose between HOLD TEMP (default), KEEP WARM, and OVEN OFF. Touch SET.

When the OVEN TIMER has completed, the When Done behavior will begin and a message of "TIMER ENDED AT XX:XX" (the time of day) is displayed.

If enabled, end-of-cycle tones will sound and then tones will sound every minute.

5. Touch CANCEL for the selected oven, or open and close the oven door, to clear the display and/or stop reminder tones.

To Set a Delay Start Time and Stop Time:

Before setting, make sure the clock is set to the correct time of day. For double ovens, be sure to select the desired oven before proceeding.

1. Touch the desired cooking mode and scroll to the desired oven temperature.

NOTE: Delay Start may be used with the Bread Proof function, but the temperature is not adjustable.

2. Touch DELAY.
3. Scroll to the desired "Cooking start at" time.

NOTE: The start and end times are rounded to the nearest quarter hour (00:00, 00:15, 00:30 or 00:45)

4. Scroll to the desired "Cooking ends at" time.
5. Touch SET.

OR

Touch START NOW to immediately begin the cooking timer.

The difference between the "Cooking start at" time and the "Cooking ends at" time is used as the cooking timer.

When the start time is reached, the oven will automatically turn on. The minute time countdown will appear on the oven display.

When the Oven Timer has completed, the When Done behavior will begin and a message of "TIMER ENDED AT XX:XX" (the time of day) is displayed.

If enabled, end-of-cycle tones will sound, and then reminder tones will sound every minute.

6. Touch CANCEL for the selected oven to cancel the current cycle and return to the main menu.

If the oven door is opened and closed after the cycle ends, the display will be cleared and the reminder tones will stop, but the oven will continue to operate in the end of cycle behavior selected (Keep Warm is the default behavior).

OVEN CARE

Self-Cleaning Cycle

⚠ WARNING



Burn Hazard

Do not touch the oven during the Self-Cleaning cycle.

Keep children away from oven during Self-Cleaning cycle.

Failure to follow these instructions can result in burns.

IMPORTANT: The health of some birds is extremely sensitive to the fumes given off during the Self-Cleaning cycle. Exposure to the fumes may result in death to certain birds. Always move birds to another closed and well-ventilated room.

Self-clean the oven before it becomes heavily soiled. Heavy soil results in longer cleaning and more smoke.

Keep the kitchen well-ventilated during the Self-Cleaning cycle to help get rid of heat, odors, and smoke.

Do not block the oven vent(s) during the Self-Cleaning cycle.

Air must be able to move freely. See the “Oven Vents” section.

Do not clean, rub, damage, or move the oven door gasket.

The door gasket is essential for a good seal.

Prepare Oven:

- Remove the broiler pan, grid, cookware and bakeware and, on some models, the temperature probe from the oven.
- Remove oven racks to keep them shiny and easy to slide. See “General Cleaning” section for more information.
- Remove any foil from the oven because it may burn or melt, damaging the oven.
- Hand clean inside door edge and the 1½" (3.8 cm) area around the inside oven cavity frame, being certain not to move or bend the gasket. This area does not get hot enough during high temp self-cleaning to remove soil. Do not let water, cleaner, etc., enter slots on door frame. Use a damp cloth to clean this area.
- Wipe out any loose soil to reduce smoke and avoid damage. At high temperatures, foods react with porcelain. Staining, etching, pitting, or faint white spots can result. This is normal and will not affect cooking performance.

How the Cycle Works

IMPORTANT: The heating and cooling of porcelain on steel in the oven may result in discoloring, loss of gloss, hairline cracks, and popping sounds.

The Self-Cleaning cycle uses very high temperatures, burning soil to a powdery ash.

Suggested clean times are 3 hours for light soil, 4 hours for medium soil, and 5 hours for heavy soil.

Once the oven has completely cooled, remove ash with a damp cloth. To avoid breaking the glass, do not apply a cool damp cloth to the inner door glass before it has completely cooled.

The oven lights will not work during the Self-Cleaning cycle.

NOTE: The oven has a 2-speed cooling fan motor. During self-clean, the fan(s) will operate at its highest speed to increase airflow to better exhaust the hotter air through the oven vent(s). An increase in noise may be noticeable during and after the self-clean cycle until the oven cools.

To Start Self-Cleaning Cycle:

Before Self-Cleaning, make sure the door is closed completely or it will not lock and the cycle will not begin.

1. For single ovens, touch SELF CLEAN. For double ovens, touch TOOLS, select SELF CLEAN, and then touch the desired oven to clean.
2. Select the desired time/soil level, and then touch NEXT.
3. Read the on-screen instructions, and then touch NEXT.
4. Follow the on-screen directions. The oven will prompt you to touch a series of keypads to confirm the self-clean cycle.

The oven will start locking the door and after a brief pause, the self clean timer and mode status will appear on the screen.

When the Self-Cleaning cycle has completed, the oven door will remain locked until the oven cools. For best cleaning performance, follow any on screen directions before returning the oven to regular service.

To Stop Self-Cleaning Anytime:

Touch CANCEL for the appropriate oven. If the oven temperature is too high, the door will remain locked. It will not unlock until the oven cools.

General Cleaning

IMPORTANT: Before cleaning, make sure all controls are off and the oven is cool. Always follow label instructions on cleaning products. For additional information, you can visit the Frequently Asked Questions (FAQs) section of our website at www.jennair.com. In Canada, reference the Customer Service section at www.jennair.ca.

Soap, water and a soft cloth or sponge are suggested first unless otherwise noted.

STAINLESS STEEL (on some models)

To avoid damage to stainless steel surfaces, do not use soap-filled scouring pads, abrasive cleaners, Cooktop Cleaner, steel-wool pads, gritty washcloths or abrasive paper towels.

Cleaning Method:

Rub in direction of grain to avoid damaging.

- Affresh® Stainless Steel Cleaner Part Number W10355016 (not included):
See the “Accessories” section for more information.

OVEN DOOR EXTERIOR

Cleaning Method:

- Glass cleaner and a soft cloth or sponge:
Apply glass cleaner to soft cloth or sponge, not directly on panel.
- Affresh® Kitchen and Appliance Cleaner Part Number W10355010 (not included):
See the “Accessories” section for more information.

OVEN DOOR INTERIOR

Cleaning Method:

- Self-Cleaning cycle:
For optimal door cleaning result, wipe away any deposits with a damp sponge before running cycle.

CONTROL PANEL

To avoid damage to the control panel, do not use abrasive cleaners, steel-wool pads, gritty washcloths or abrasive paper towels.

Cleaning Method:

- Glass cleaner and soft cloth or sponge:
Apply glass cleaner to soft cloth or sponge, not directly on panel.
- Affresh® Kitchen and Appliance Cleaner Part Number W10355010 (not included):
See the “Accessories” section for more information.

OVEN CAVITY

Do not use oven cleaners.

Food spills should be cleaned when oven cools. At high temperatures, foods react with porcelain and staining, etching, pitting, or faint white spots can result.

Cleaning Method:

- Self-Cleaning cycle:
See “Self-Cleaning Cycle” first.

OVEN RACKS

Cleaning Method:

- Steel-wool pad

Oven Lights

The oven lights are 120 V, 40 W maximum halogen bulbs. They will come on when the oven door is opened. On double oven models, the lights will only come on for the oven that has the door open. The oven lights will not work during the Self-Cleaning cycle. When the door is closed, touch the appropriate Oven Light keypad to turn on the oven light.

To Replace:

Before replacing the bulb, make sure the oven is off and cool.

1. Disconnect power.
2. Remove glass light cover by grasping the front edge and pulling away from oven.



3. Remove bulb from socket.
4. Replace bulb, using tissue or wearing cotton gloves to handle bulb. To avoid damage to or decreasing the life of the new bulb, do not touch bulb with bare fingers.
5. Replace bulb cover by snapping back into wall.
6. Reconnect power.

IMPORTANT: Do not use bulbs rated higher than 40 W.

Oven Door

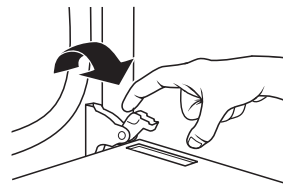
IMPORTANT: To avoid oven door glass breakage:

- Do not close the oven door if the racks are not fully inserted into the oven cavity or when bakeware extends past the front edge of an oven rack.
- Do not set objects on the glass surface of the oven door.
- Do not hit glass surfaces with bakeware or other objects.
- Do not wipe down glass surfaces until the oven has completely cooled.

For normal oven use, it is not suggested to remove the oven door. However, if removal is necessary, make sure the oven is off and cool. Then, follow these instructions. The oven door is heavy.

To Remove:

1. Open oven door all the way.
2. Flip up the hinge latch on each side.



3. Close the oven door as far as it will shut.
4. Lift the oven door while holding both sides.
Continue to push the oven door closed and pull it away from the oven door frame.



To Replace:

1. Insert both hanger arms into the door.



2. Open the oven door.
You should hear a “click” as the door is set into place.
3. Move the hinge levers back to the locked position.
Check that the door is free to open and close. If it is not, repeat the removal and installation procedures.

TROUBLESHOOTING

First try the solutions suggested here. If you need further assistance or more recommendations that may help you avoid a service call, refer to the warranty, or visit producthelp.jennair.com. In Canada, visit www.jennair.ca.

Contact us by mail with any questions or concerns at the address below:

In the U.S.A.:

JennAir Brand Home Appliances
Customer eXperience Center
553 Benson Road
Benton Harbor, MI 49022-2692

In Canada:

JennAir Brand Home Appliances
Customer eXperience Centre
200 – 6750 Century Ave.
Mississauga, Ontario L5N 0B7

Please include a daytime phone number in your correspondence.

Problem	Possible Causes and/or Solutions
Nothing will operate	Has a household fuse blown or has a circuit breaker tripped? Replace the fuse or reset the circuit breaker. If the problem continues, call an electrician. Is the appliance wired properly? See Installation Instructions.
Oven will not operate	Has a Delay Start been set? See the “Timed Cooking” section. Is the Button Lock set? See the “Button Lock” section. Is the Sabbath mode set? See the “Sabbath Mode” section. On double-oven models, is one oven self-cleaning? When one oven is self-cleaning, the other oven cannot be set or turned on.
Oven temperature too high or too low	Does the oven temperature calibration need adjustment? See the “Oven Temperature Control” section.
Warm air coming from oven vent	Warm air coming from the oven vent is normal. During a Self-Cleaning cycle, the air stream is increased. The cooling fan may operate both during an oven’s cycle and after the cycle has ended, causing warm air to exit from the oven vent.
Display shows messages	Is the display showing a letter followed by a number? If a letter followed by a number reappears, call for service.
Fan runs during Bake function	It is normal for the convection fan and element to operate during Bake mode to enhance performance and heat distribution.
Long preheat times	Not all cycles require preheating. See cycle instructions for preheat recommendations. Most cycles preheat to 350°F (177°C) in 12 to 18 minutes. Higher temperatures will take more time. Removing unused oven racks prior to preheating can help reduce preheat time.
Self-Cleaning cycle will not operate	Is the oven door open? Close the oven door all the way. Has the function been entered? See the “Self-Cleaning Cycle” section. Has a Delay Start Self-Cleaning cycle been set? See the “Self-Cleaning Cycle” section. On double-oven models, is one oven self-cleaning? When one oven is self-cleaning, the other oven cannot be set to self-clean.
Oven cooking results not what expected	Is the proper temperature set? Double-check the recipe in a reliable cookbook. Is the proper oven temperature calibration set? See the “Oven Temperature Control” section. Was the oven preheated? See the “Baking and Roasting” section. Is the proper bakeware being used? See the “Bakeware” section. Are the racks positioned properly? See the “Positioning Racks and Bakeware” section. Is there proper air circulation around bakeware? See the “Positioning Racks and Bakeware” section. Is the batter evenly distributed in the pan? Check that batter is level in the pan. Is the proper length of time being used? Adjust cooking time. Has the oven door been opened while cooking? Oven peeking releases oven heat and can result in longer cooking times. Are baked items too brown on the bottom? Move rack to higher position in the oven. Are pie crust edges browning early? Use aluminum foil to cover the edge of the crust and/or reduce baking temperature.
Uneven browning of baked items	See the “Positioning Racks and Bakeware” section. Center the baking pan(s) on the rack and allow a minimum of 2" (5 cm) of clearance around all sides of the pan(s). Allow a minimum of 2" (5 cm) of clearance between the oven door and the front edge of baking pans.
Fan gets louder during cooking mode with the door open	If the oven door is opened during a cooking mode and left open for approximately 60 seconds, the cooling fan will switch to a higher speed. You may experience higher noise during this time. When the oven door is closed, the fan will switch back to its lower speed after approximately 60 seconds.

ASSISTANCE OR SERVICE

If you need service

Please refer to the warranty.

If you need replacement parts

If you need to order replacement parts, we recommend that you use only factory specified parts. These factory specified parts will fit right and work right because they are made with the same precision used to build every new JennAir® appliance.

To locate factory specified parts in your area, call us or your nearest JennAir designated service center.

In the U.S.A.

Call the Customer eXperience Center toll-free: **1-800-JENNAIR (1-800-536-6247)**.

Our consultants provide assistance with:

- Features and specifications on our full line of appliances.
- Installation information.
- Use and maintenance procedures.
- Repair parts sales.
- Specialized customer assistance (Spanish speaking, hearing impaired, limited vision, etc.).
- Referrals to local dealers, repair parts distributors and service companies. JennAir designated service technicians are trained to fulfill the product warranty and provide after-warranty service anywhere in the United States.

To locate the JennAir designated service company in your area, you can also look in your telephone directory Yellow Pages.

For further assistance

If you need further assistance, you can write with any questions or concerns at:

JennAir Brand Home Appliances
Customer eXperience Center
553 Benson Road
Benton Harbor, MI 49022-2692

Please include a daytime phone number in your correspondence.

In Canada

Call the JennAir Canada LP Customer eXperience Centre toll-free: **1-800-JENNAIR (1-800-536-6247)**.

Our consultants provide assistance with:

- Use and maintenance procedures.
- Repair parts sales.
- Referrals to local dealers, repair parts distributors and service companies. JennAir designated service technicians are trained to fulfill the product warranty and provide after-warranty service anywhere in Canada.

For further assistance

If you need further assistance, you can write with any questions or concerns at:

JennAir Brand Home Appliances
Customer eXperience Centre
200 - 6750 Century Ave.
Mississauga, ON L5N 0B7

Please include a daytime phone number in your correspondence.

Accessories

To order accessories, visit our website at www.jennair.com.

Complete Cooktop Cleaner Kit

(ceramic glass models)
(includes cleaner, protectant, protectant applicator, scraper, and cleaner pads)

Cooktop Protectant

(ceramic glass models)

Affresh® Stainless Steel Cleaning Wipes

(stainless steel models)

Affresh® Cooktop Cleaner

(ceramic glass models)

Cooktop Cleaning Pads

(ceramic glass models)

Affresh® Stainless Steel Cleaner

(stainless steel models)

Affresh® Kitchen and Appliance Cleaner

AquaLift® Oven Cleaning Kit

Cooktop Scraper

(ceramic glass models)

Granite Cleaner and Polish

Gas Grate and Drip Pan Cleaner

Gourmet Griddle

Heavy Duty Flat Oven Rack

Split Oven Rack

HD Max Capacity Oven Rack

Sliding Flat Oven Rack

Porcelain Broiler Pan and Grid

Premium Broiler Pan and Roasting Rack

Trim Assembly

5/8" (1.7 cm) White
5/8" (1.7 cm) Black
5/8" (1.7 cm) Stainless Steel
1 1/8" (2.9 cm) White
1 1/8" (2.9 cm) Black
1 1/8" (2.9 cm) Stainless Steel

Backsplash Assembly

White
Black
Stainless Steel

Grill Kit

SÉCURITÉ DU FOUR ENCASTRÉ

Votre sécurité et celle des autres est très importante.

Nous donnons de nombreux messages de sécurité importants dans ce manuel et sur votre appareil ménager. Assurez-vous de toujours lire tous les messages de sécurité et de vous y conformer.



Voici le symbole d'alerte de sécurité.

Ce symbole d'alerte de sécurité vous signale les dangers potentiels de décès et de blessures graves à vous et à d'autres.

Tous les messages de sécurité suivront le symbole d'alerte de sécurité et le mot "DANGER" ou "AVERTISSEMENT". Ces mots signifient :

⚠ DANGER

Risque possible de décès ou de blessure grave si vous ne suivez pas immédiatement les instructions.

⚠ AVERTISSEMENT

Risque possible de décès ou de blessure grave si vous ne suivez pas les instructions.

Tous les messages de sécurité vous diront quel est le danger potentiel et vous disent comment réduire le risque de blessure et ce qui peut se produire en cas de non-respect des instructions.

IMPORTANTES INSTRUCTIONS DE SÉCURITÉ

AVERTISSEMENT : Pour réduire le risque d'incendie, de choc électrique, de blessures corporelles ou de dommages lors de l'utilisation du four, il convient d'observer certaines précautions élémentaires dont les suivantes :

- Installation appropriée – S'assurer que le four est convenablement installé et relié à la terre par un technicien qualifié.
- Ne jamais utiliser le four pour chauffer ou réchauffer une pièce.
- Ne pas laisser les enfants seuls – Les enfants ne doivent pas être laissés seuls ou sans surveillance dans la pièce où le four est en service. Ne jamais laisser les enfants s'asseoir ou se tenir sur une partie quelconque du four.
- Porter des vêtements appropriés – Les vêtements amples ou détachés ne doivent jamais être portés pendant l'utilisation du four.
- Entretien par l'utilisateur – Ne pas réparer ni remplacer toute pièce du four si ce n'est pas spécifiquement recommandé dans le manuel. Toute autre opération d'entretien ou de réparation doit être confiée à un technicien qualifié.
- Ne pas utiliser d'eau pour éteindre un feu de graisse – Éteindre le feu ou les flammes ou utiliser des extincteurs polyvalents à produits chimiques secs ou un extincteur à mousse.
- Utiliser seulement des mitaines sèches de four – Des mitaines de four mouillées ou humides sur des surfaces chaudes peuvent provoquer des brûlures provenant de la vapeur. Ne pas laisser les mitaines de four toucher les éléments chauffants. Ne pas utiliser une serviette ou un tissu épais.
- Exercer une grande prudence lors de l'ouverture de la porte. Laisser l'air chaud ou la vapeur s'échapper avant d'enlever ou de remplacer un plat.
- Ne pas faire chauffer des contenants fermés – L'accumulation de pression peut causer une explosion du contenant et des blessures.

- Ne jamais obstruer les ouvertures des événements.
- Placement des grilles du four – Toujours placer les grilles du four à l'endroit désiré, lorsque le four est froid. Si la grille doit être déplacée lorsque le four est chaud, ne pas laisser des mitaines de four toucher l'élément chauffant dans le four.
- Remisage dans le four – Des matériaux inflammables ne doivent pas être remisés dans un four.
- **NE PAS TOUCHER LES ÉLÉMENTS CHAUFFANTS OU LES SURFACES INTÉRIEURES DU FOUR** – les éléments chauffants peuvent être chauds même s'ils ont une teinte foncée. Les surfaces intérieures de four deviennent assez chaudes pour causer des brûlures. Pendant et après l'utilisation, ne pas toucher ou laisser des vêtements ou autres matériaux inflammables venir en contact avec les éléments chauds ou les surfaces intérieures chaudes du four avant qu'ils aient eu assez de temps pour refroidir. D'autres surfaces du four peuvent devenir assez chaudes pour causer des brûlures. Ces surfaces comprennent les ouvertures de l'évent du four et la surface près de ces ouvertures, les portes du four et les hublots des portes du four.

Fours autonettoyants :

- Ne pas nettoyer le joint de la porte – Le joint de la porte est essentiel pour l'étanchéité. Veiller à ne pas froter, endommager ou déplacer le joint.
- Ne pas utiliser les produits commerciaux de nettoyage de four – On ne doit pas utiliser un produit commercial de nettoyage de four ou un enduit de protection des surfaces internes du four quel qu'en soit le type, sur les surfaces du four ou les surfaces voisines.
- Nettoyer uniquement les pièces indiquées dans le manuel.
- Avant d'exécuter le programme d'autonettoyage du four, enlever la lèchefrite et sa grille et les autres ustensiles.

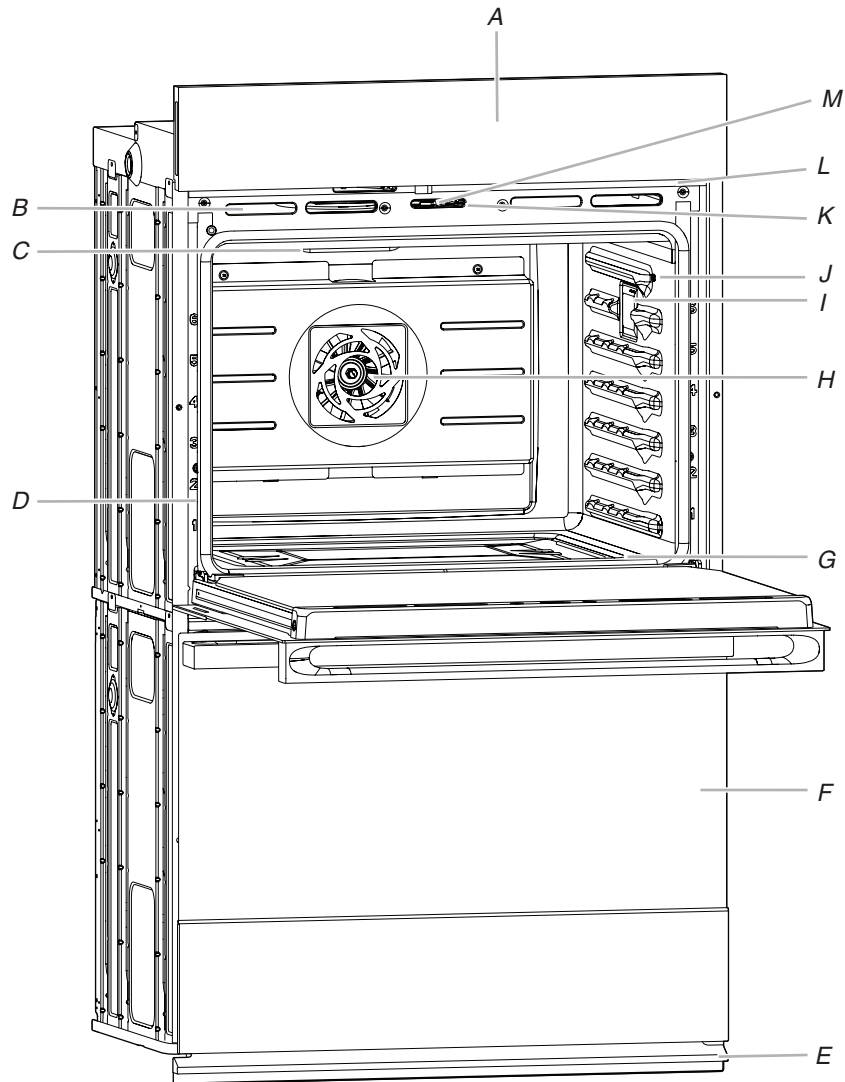
Pour les fours intelligents :

- Utilisation à distance – Cet appareil peut être configuré pour permettre l'utilisation à distance en tout temps. Ne pas ranger de matériaux inflammables ou sensibles à la température dans l'appareil.

CONSERVEZ CES INSTRUCTIONS

PIÈCES ET CARACTÉRISTIQUES

Ce manuel concerne plusieurs modèles. Le modèle que vous avez peut comporter toutes les caractéristiques énumérées ou seulement certaines d'entre elles. Se reporter à ce manuel ou à la section Foire aux questions (FAQ) de notre site Web sur www.jennair.com pour des instructions plus détaillées. Au Canada, consulter la section du service à la clientèle sur www.jennair.ca.



- A. Module de commande électronique du four
- B. Évent du four
- C. Éléments de cuisson au gril
- D. Joint d'étanchéité
- E. Évent inférieur
- F. Four inférieur (sur les modèles de four double)
- G. Élément de cuisson au four non visible

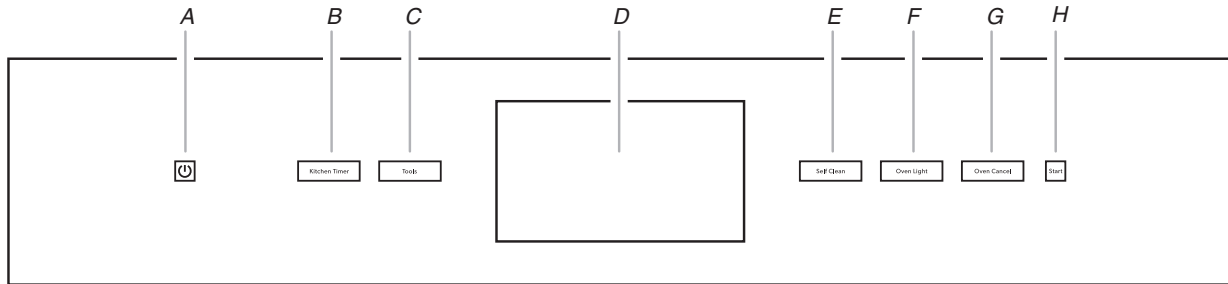
- H. Élément de cuisson par convection et ventilateur
- I. Lampes du four (côté gauche non visible)
- J. Connecteur de la sonde thermométrique
- K. Loquet de verrouillage de la porte du four
- L. Plaque de numéros de modèle et de série (sur le côté droit sous le tableau de commande)
- M. Interrupteur de la lampe du four

Pièces et caractéristiques non illustrées
Sonde thermométrique
Grilles

GUIDE DES CARACTÉRISTIQUES

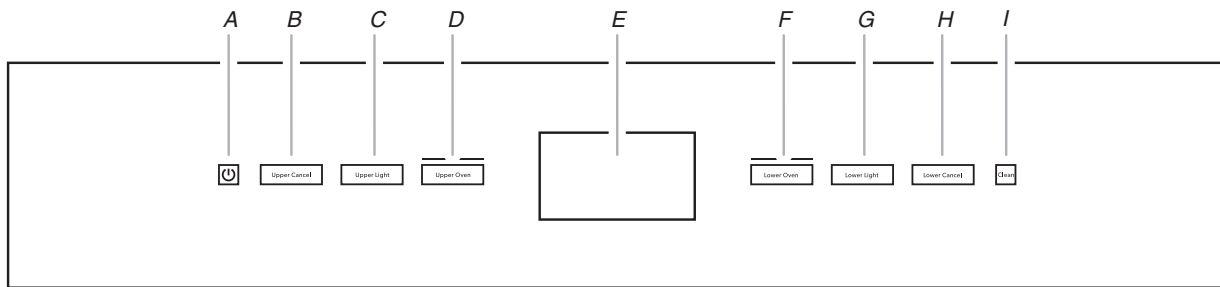
Ce manuel concerne plusieurs modèles. Le modèle que vous avez peut comporter toutes les caractéristiques énumérées ou seulement certaines d'entre elles. Se reporter à ce manuel ou à la section Foire aux questions (FAQ) de notre site Web sur www.jennair.com pour des instructions plus détaillées. Au Canada, consulter la section du service à la clientèle sur www.jennair.ca.

Four simple :




- | | |
|--------------------------------------|-----------------------|
| A. Marche ou arrêt de l'alimentation | E. Autonettoyage |
| B. Minuterie de cuisine | F. Éclairage du four |
| C. Outils | G. Annulation du four |
| D. Affichage | H. Commencer |

Four double :



- | | |
|--------------------------------------|------------------------------|
| A. Marche ou arrêt de l'alimentation | F. Four inférieur |
| B. Annulation du four supérieur | G. Lampe inférieure |
| C. Lampe supérieure | H. Annulation four inférieur |
| D. Four supérieur | I. Nettoyage |
| E. Affichage | |

Touche	Fonction	Instructions
POWER (marche ou arrêt de l'alimentation) 	Marche ou arrêt de l'alimentation	Appuyer sur cette touche pour mettre l'affichage du four sous/hors tension.
OVEN LIGHT UPPER LIGHT LOWER LIGHT (lampe four lampe supérieur lampe inférieur)	Lampe de la cavité du four	La Oven Light (lampe du four) désirée est commandée par une touche située sur le tableau de commande du four. La porte du four étant fermée, appuyer sur la touche de la lampe du four désirée pour allumer ou éteindre la lampe. Les lampes du four s'allument automatiquement à l'ouverture de la porte correspondante.
KITCHEN TIMER (minuterie de cuisine) (sur certains modèles)	Minuterie	La Kitchen Timer (minuterie de cuisine) peut être réglée en heures, en minutes ou en secondes jusqu'à concurrence de 23 heures, 59 minutes et 59 secondes. La Kitchen Timer (minuterie de cuisine) ne met pas en marche le ou les fours et ne les éteint pas.
OVEN CANCEL UPPER CANCEL LOWER CANCEL (annulation four, annulation four supérieur, annulation four inférieur) (sur certains modèles)	Fonction du four	Les touches Lower Cancel (annulation four inférieur), Upper Cancel (annulation four supérieur) et Cancel (annulation) arrêtent les fonctions des fours respectifs à l'exception de l'horloge, de la minuterie de cuisine et du verrouillage des commandes. Le ou les ventilateurs de refroidissement du four peuvent continuer à fonctionner même après l'annulation ou la fin d'une fonction, selon la température du four.

Touche	Fonction	Instructions
START (démarrer) (sur certains modèles)	Mode de mise en marche	La touche Start (démarrer) met en marche certaines fonctions du four. Si, après avoir appuyé sur une touche, on n'appuie pas sur Start dans les 2 minutes qui suivent, la fonction est annulée et l'heure s'affiche.
CLEAN SELF CLEAN (nettoyage, autonettoyage) (sur certains modèles)	Programme d'autonettoyage	Voir la section "Programme d'autonettoyage".
TOOLS (outils) (sur certains modèles)	Fonction d'utilisation du four	La touche Tools (outils) permet de personnaliser le fonctionnement du four selon les préférences de l'utilisateur. Voir la section "Outils".
UPPER OVEN LOWER OVEN (four supérieur four inférieur) (sur certains modèles)	Sélection du four	Les touches du Upper Oven (four supérieur) et du Lower Oven (four inférieur) permettent de sélectionner le four à utiliser.

Panneau tactile

Le panneau tactile regroupe le menu de commande et les commandes des différentes fonctions. Le panneau tactile est très sensible, il suffit d'un léger toucher pour l'activer.

Pour plus d'information sur chaque commande, voir leurs sections respectives dans ce manuel.

Guide de bienvenue

Ceci apparaît sur l'affichage la première fois que le four est mis sous tension. Le Guide de bienvenue permet à l'utilisateur de régler le nouveau four.

Après chaque sélection, un signal sonore retentit. Appuyer sur le bouton Back (arrière) à tout moment pour revenir à l'écran précédent.

- Sélectionner la langue.
- Sélectionner l'horloge par défilement des heures jusqu'à la bonne heure avec minutes dans la colonne. Sélectionner ensuite AM/PM ou l'horloge de 24 heures (système des 24 heures).
- Choisir d'activer l'heure avancée (SYNC AUTO), ou de la désactiver NE PAS AJUSTER.
- Saisir la date du jour (MM/JJ/AAAA) en faisant défiler la colonne pour régler le MOIS, le JOUR et l'ANNÉE. Appuyer sur SAUVEGARDER.
- Sélectionner les unités de température. Choisir Fahrenheit ou Celsius. Appuyer sur SAUVEGARDER.
- Sélectionner le thème de l'horloge en faisant défiler la liste jusqu'au réglage désiré. Appuyer sur SAUVEGARDER.

REMARQUE : Ceci est l'arrière-plan pour l'affichage d'appui du centre.

Affichage

L'affichage est pour le menu et les commandes de fonctionnement du four. L'écran tactile permet de faire défiler les menus du four. L'affichage est très sensible; il suffit d'un léger toucher pour l'activer et sélectionner les commandes.

Lorsque le four est utilisé, l'affichage indique l'horloge, le mode, la température du four, la minuterie de cuisine et la minuterie du four si réglée. Si la minuterie du four n'est pas réglée, on peut la régler à partir de cet écran.

Après environ 2 minutes d'inactivité, l'affichage passe au mode de veille et s'assombrit. Lorsque le four fonctionne, l'affichage reste lumineux.

Au cours de l'utilisation, l'affichage indique les menus et les sélections appropriées pour les options choisies.

Affichage du menu

Si le four est éteint, appuyer sur la touche de marche pour activer le menu. À partir de l'écran d'accueil, tous les programmes de cuisson automatique peuvent être activés; tous les programmes de cuisson manuels peuvent être réglés; les options peuvent être ajustées et les instructions, les directives de préparation et les conseils sont accessibles.

Démonstration de menu

⚠ AVERTISSEMENT

Risque d'empoisonnement alimentaire

Ne pas laisser des aliments dans un four plus d'une heure avant ou après la cuisson.

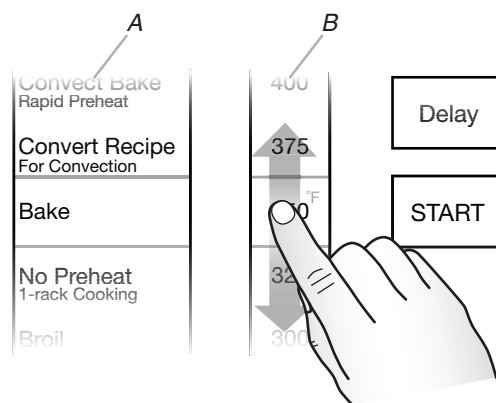
Le non-respect de cette instruction peut causer un empoisonnement alimentaire ou une maladie.

Pour les modèles de four double, appuyer sur la touche de four correspondante pour afficher les modes de cuisson et les températures pour le four désiré.

REMARQUE : Une ligne apparaît au-dessus des touches du four correspondant.

Pour les modèles de four simple, l'affichage indique les modes de cuisson et les températures lorsque le four est mis en marche.

Démonstration de cuisson



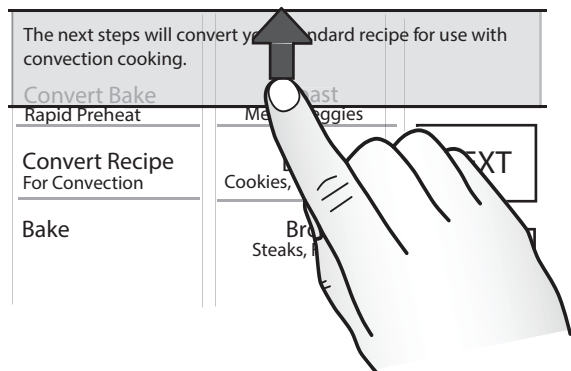
A. Colonne de modes

B. Colonne de températures

- Confirmer la sélection du mode Bake (cuisson au four).
- Dans la colonne de températures, sélectionnez la température désirée. La température doit être comprise entre 170 °F et 550 °F (77 °C et 288 °C).
- Appuyer sur START (mise en marche) pour commencer le préchauffage.

- Appuyer sur START (démarrer) pour commencer le préchauffage.

Démonstration de message défilant



Il y a certains menus qui affichent un message défilant. Une fois le message lu, appuyer sur la flèche de direction et la faire glisser vers le haut pour faire disparaître le message.

Démonstration de la durée de cuisson (facultative)

REMARQUE : Dans certains modes de cuisson, l'utilisateur peut régler la durée de cuisson tandis que les autres modes ont des durées réglées.

Pour régler la durée de cuisson, suivre ces instructions.

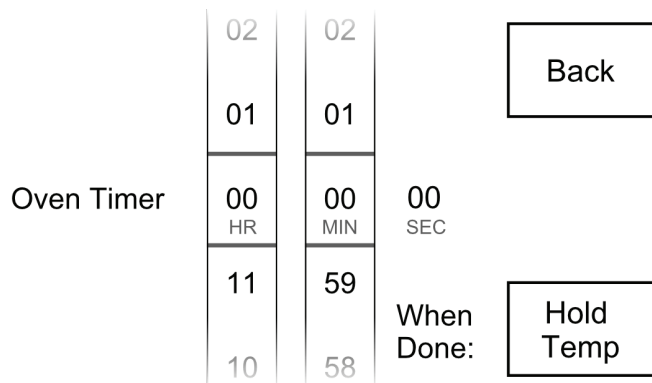
- Pour régler une durée de cuisson, appuyer sur OVEN TIMER (minuterie du four) une fois que le programme commence. Utiliser les colonnes de durées ou les touches de nombre pour saisir la durée de cuisson.
- Appuyer sur START (mise en marche) pour démarrer la minuterie.

REMARQUE : La durée de cuisson n'est visible que lorsque le programme de cuisson est activé.

OU

Sélectionner l'action du four une fois que la minuterie s'est écoulee. L'action par défaut est Hold Temp (maintenir la température).

Pour modifier la fin de l'action par défaut du programme du four, appuyer sur Hold Temp (maintien de la température), puis sélectionner l'action du four désirée. Appuyer sur Set (appliquer) après la sélection de l'action ou appuyer sur Back pour retourner à l'écran de la minuterie du four.

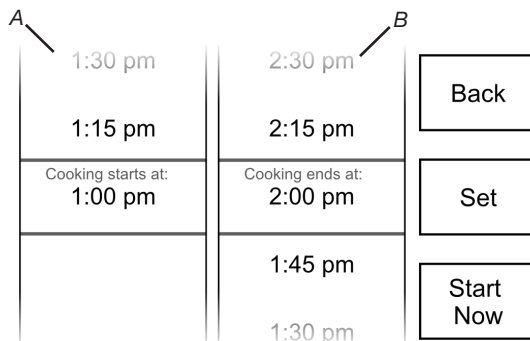


Le réglage Keep Warm™ abaisse la température du four à 170°F (77°C) après que le temps de cuisson s'est écoulé. Hold Temp (maintenir la température) maintient la température du four réglée après que le temps de cuisson s'est écoulé. Oven Off (four éteint) éteint le four une fois que le temps de cuisson s'est écoulé.

Démonstration de la Mise en marche différée (facultative)

- Pour régler une heure de mise en marche différée et une heure de fin, appuyer sur DELAY (différer).

REMARQUE : L'heure de mise en marche de la cuisson commence au plus près du quart d'heure (0:00, 0:15, 0:30 et 0:45). L'heure de cuisson inclut le temps de préchauffage du four. Régler les heures de mise en marche et d'arrêt de cuisson au besoin.



A. Colonne d'heures de mise en marche de cuisson

B. Colonne d'heures d'arrêt de cuisson

- Appuyer sur ou sélectionner l'heure de la mise en marche désirée dans la colonne d'heures de mise en marche de cuisson du côté gauche. L'heure du four ne peut pas être différée par plus de 11 heures et 45 minutes.
 - Appuyer sur ou sélectionner l'heure de fin désirée dans la colonne d'heures d'arrêt de cuisson du côté gauche. La durée de cuisson ne peut pas être plus de 12 heures.
 - Appuyer sur BACK (retour) pour accéder au menu Modes de cuisson ou appuyer sur SET (appliquer) une fois terminée. Le four commence le préchauffage lorsque l'heure de mise en marche est atteinte. Une fois que la fin de durée est atteinte, le mode Keep Warm (maintien au chaud) est activé par défaut.
 - Appuyer sur START NOW (mettre en marche maintenant) pour mettre en marche le four à partir de l'écran Delay (différer).
- REMARQUE :** Ne pas utiliser la mise en marche différée pour des aliments nécessitant le préchauffage du four, comme les gâteaux, les biscuits et le pain. Si l'on place les aliments dans le four durant le préchauffage, ils pourraient être trop cuits.
- Pour changer le mode de cuisson ou la température lorsque le four est en mode de préchauffage ou en mode Delay Start (mise en marche différée), appuyer sur la touche de mode de cuisson, choisir la nouvelle sélection, puis appuyer sur SET (appliquer).
 - Appuyer sur OVEN CANCEL (annulation du four), UPPER CANCEL (annulation du four supérieur), ou LOWER CANCEL (annulation du four inférieur) pour éteindre le four désiré.

Modes de cuisson

Les étapes précédentes peuvent être utilisées pour les modes de cuisson suivants :

Mode	Temps. Portée	Temp. par défaut
Cuisson par convection de pizza surgelée	300 °F–500 °F (149 °C–260 °C)	375 °F (191 °C)
Cuisson de pâtisseries par convection	170 °F à 550 °F (77 °C à 288 °C)	325 °F (163 °C)
Rôtissage lent par convection, 12 heures	190 °F à 225 °F (88 °C à 107 °C)	200 °F (93 °C)
Rôtissage lent par convection, 8 heures	200 °F à 250 °F (93 °C à 121 °C)	225 °F (107 °C)
Rôtissage lent par convection, 4 heures	250 °F à 300 °F (121 °C à 149 °C)	275 °F (135 °C)
Rôtissage par convection	170 °F à 550 °F (77 °C à 288 °C)	350 °F (177 °C)
Cuisson au gril par convection	450 °F à 550 °F (232 °C à 288 °C)	550 °F (288 °C)
Convect Bake (cuisson au four par convection)	170 °F–550 °F (77 °C–288 °C)	550 °F (288 °C)
Cuisson au four par convection – Réchauffage rapide	170 °F à 550 °F (77 °C à 288 °C)	325 °F (163 °C)
Cuisson au four	170 °F à 550 °F (77 °C à 288 °C)	350 °F (177 °C)
Cuisson au gril	450 °F à 550 °F (232 °C à 288 °C)	550 °F (288 °C)
Maintien au chaud	150 °F à 200 °F (66 °C à 93 °C)	170 °F (77 °C)
Levée rapide	110 °F (43 °C)	110 °F (43 °C)
Levée	100 °F (38 °C)	100 °F (38 °C)
Convertir la recette pour une cuisson par convection	-	-
Cuisson avec sonde	-	-
Mes créations	-	-

Minuterie de cuisine

La minuterie de la cuisinière peut être réglée en heures, en minutes et en secondes et procède à un compte à rebours de la durée réglée.

REMARQUE : La minuterie de cuisine ne met pas en marche le four et ne l'éteint pas.

Tons/Sons

Les signaux sonores avertissent l'utilisateur de divers événements :

- Touche numérique valide
- Saisie d'une fonction
- Four préchauffé
- Touche numérique invalide
- Fin d'un programme de cuisson
- Lorsque la minuterie est à zéro
Comprend l'utilisation de la minuterie de cuisine pour des fonctions autres que la cuisson
- Premier élément du four activé en mode de cuisson

Outils

La touche Tools (outils) permet d'accéder aux fonctions et aux options pour personnaliser dans les commandes électroniques du four. Ces outils permettent de régler l'horloge, d'alterner entre unités Fahrenheit et Celsius pour la température du four, d'activer ou de désactiver les signaux sonores et les messages, de régler le calibrage du four, de choisir la langue et plus. Pour obtenir plus de renseignements sur les réglages, appuyer sur cette sélection, puis sur la touche de conseils.

Le mode Sabbath peut également être programmé en utilisant la touche Tools (outils).

Mode	Sélections disponibles
Sabbat	<ul style="list-style-type: none">■ Marche■ Désactiver (par défaut)
Mode de démonstration	<ul style="list-style-type: none">■ Marche■ Désactiver (par défaut)
Unités de température	<ul style="list-style-type: none">■ Celsius*■ Fahrenheit*
Langue	<ul style="list-style-type: none">■ Français*■ English*
Affichage activé/désactivé	<ul style="list-style-type: none">■ Affichage désactivé■ Affichage sombre (par défaut)
Horloge activée/désactivée	<ul style="list-style-type: none">■ Horloge désactivée■ Horloge activée (par défaut)
Luminosité	<ul style="list-style-type: none">■ Max■ Élevée■ Moy (par défaut)■ Bas■ Sombre
Volume Sonore	<ul style="list-style-type: none">■ Appui sur une touche (max/élevé/med (par défaut)/faible/désactivé)■ Minuterie et alerte (max/élevée/med (par défaut)/faible/désactivé)■ Marche ou arrêt de l'alimentation (désactivé/activé (par défaut))

Mode	Sélections disponibles
Thème de l'horloge	<ul style="list-style-type: none"> ■ Textures* ■ Fête* ■ Gastronomer* ■ Horloge uniquement* ■ Animation* ■ Printemps* ■ Été* ■ Automne* ■ Hiver*
Heure et date	<ul style="list-style-type: none"> ■ Heure avancée (ne pas régler/ synchro auto)* ■ Style de l'horloge (numérique/ analogique (par défaut)) ■ Réglage de l'horloge ■ Réglage de la date
Autonettoyage	<ul style="list-style-type: none"> ■ Intense 5 h ■ Moyenne 4 h ■ Faible 3 h
Verrouillage des commandes	<ul style="list-style-type: none"> ■ Verrouillage
Entrée de chiffres	<ul style="list-style-type: none"> ■ Pavé num ■ Défilement (par défaut)
Sonde	<ul style="list-style-type: none"> ■ Rôtissage par convection ■ Cuisson au four par convection ■ Guide des aliments ■ Cuisson au four
Calib temp.	<ul style="list-style-type: none"> ■ +35 °F à -35 °F ■ +20 °C à -20 °C
Calib tactile	<ul style="list-style-type: none"> ■ Pour calibrer l'écran tactile
Info dépannage	<ul style="list-style-type: none"> ■ Numéro de modèle, numéro de série et coordonnées
Info juridique	<ul style="list-style-type: none"> ■ Informations de licence
Restauration paramétrage usine	<ul style="list-style-type: none"> ■ Restauration du paramétrage d'usine par défaut

* Les paramètres par défaut de ces réglages sont situés sur l'écran d'accueil.

Verrouillage des commandes

Le verrouillage des commandes désactive les touches du tableau de commande pour éviter l'utilisation involontaire des fours. Si le verrouillage des commandes a été réglé avant une panne de courant, la fonction reste activée après cette panne de courant. Lorsque le tableau de commande est verrouillé, seule la touche de mise sous/hors tension fonctionne.

Le verrouillage des commandes est pré-réglé désactivé, mais peut être activé.

Pour activer le verrouillage des commandes :

1. Appuyer sur TOOLS (outils), puis sélectionner VERROUILLAGE DES COMMANDES.
2. Appuyer sur VERROUILLAGE pour activer le mode Verrouillage des commandes.

REMARQUE : L'écran tactile revient au mode veille et un message de commande verrouillée s'affiche.

Pour désactiver le verrouillage des commandes :

1. Appuyer sur la touche Mise sous/hors tension, puis suivre les instructions à l'écran.

REMARQUE : Le four génère une séquence de formes aléatoires qui doivent être appuyées en ordre selon l'affichage à l'écran.

Commande de la température du four

IMPORTANT : Ne pas utiliser de thermomètre pour mesurer la température du four. Les éléments chauffants s'allument et s'éteignent en alternance pour maintenir une température constante, mais leur température peut varier légèrement dans un sens ou dans l'autre du fait de cette alternance. L'ouverture de la porte du four affecte la mise en marche alternée des éléments et influence la température.

Le four fournit des températures précises et a été testé avec soin à l'usine. Toutefois, il peut cuire plus rapidement ou plus lentement que votre four précédent, et ainsi entraîner des différences de cuisson ou de brunissage. Si nécessaire, le calibrage de la température peut se régler en degrés Fahrenheit ou Celsius.

Sur les modèles de fours doubles, le four supérieur et le four inférieur peuvent chacun être calibrés indépendamment.

Un signe moins signifie que le four sera plus froid du nombre de degrés affiché. L'absence de signe moins signifie que le four sera plus chaud du nombre de degrés affiché. Utiliser le tableau suivant comme guide.

REMARQUE : Cet affichage se poursuit pour indiquer la température du réglage d'origine, il n'indiquera pas le décalage de calibration. Par exemple, si la température a été réglée à 350 °F (177 °C) et calibrée à -20°, la température affichée sera toujours 350 °F (177 °C).

Réglage en °F (changement automatique en °C)	Cuit les aliments
10 °F (6 °C)	un peu plus
20 °F (12 °C)	modérément plus
30 °F (18 °C)	beaucoup plus
0 °F (0 °C)	réglage par défaut
-10 °F (-6 °C)	un peu moins
-20 °F (-12 °C)	modérément moins
-30 °F (-18 °C)	beaucoup moins

Mode Sabbat

Le mode Sabbat permet au four de rester sur un réglage de cuisson au four jusqu'à ce qu'on l'éteigne. Un mode Sabbat minuté peut également être programmé pour garder le four allumé seulement pendant une partie du mode Sabbat.

Lorsque le mode Sabbath est programmé, les touches actives sont la touche Mise sous/hors tension et les touches d'annulation.

Lorsque la porte du four est ouverte ou fermée, la lampe du four ne s'allume ou ne s'éteint pas et les éléments de chauffage ne s'allument ou ne s'éteignent pas immédiatement.

Si une panne de courant moins de 1 seconde se présente lorsque le mode Sabbat est programmé, le(s) four(s) restera/restent au mode Sabbat et poursuivra/poursuivront la cuisson.

Si une panne de courant dure plus longtemps que quelques secondes, le(s) four(s) retournera/retourneront à un état inactif et le mode Sabbat ne sera plus actif. Pour les modèles de fours doubles, les températures et les minuteries de cuisson du four supérieur et du four inférieur peuvent être réglées indépendamment. Si une minuterie de cuisson est réglée, le compte à rebours n'apparaît pas. La minuterie apparaît fixe au temps réglé.

Activation :

1. Appuyer sur la touche Mise sous/hors tension, puis appuyer sur TOOLS (outils).
2. À partir du menu de mode, sélectionner "Sabbath" et appuyer sur NEXT (suivant).
3. Appuyer sur ON (marche), puis appuyer sur SETUP (ré-glage).
REMARQUE : L'état programmé du ou des fours s'affiche.
4. Appuyer sur CHANGE (changer).
5. Pour les fours simples, passer à l'étape 6. Pour les fours doubles, sélectionner le four désiré, puis appuyer sur NEXT (suivant).
6. Sélectionner la température du four désiré et appuyer sur NEXT (suivant).
7. (Facultatif) Régler le temps de cuisson (00:00) et appuyer sur SET (appliquer).

OU

Appuyer sur SKIP TIMER (passer la programmation de la minuterie).

8. Pour les fours simples, appuyer sur START (mise en marche). Pour les fours doubles, appuyer sur START (mise en marche) pour commencer le mode Sabbath, ou appuyer sur CHANGE (changer) pour modifier la programmation actuelle ou pour programmer l'autre four.

Désactivation :

Le mode Sabbath peut être désactivé pour tous les cavités. Il suffit d'appuyer sur la touche Mise sous/hors tension.

Pour les fours simples, le mode Sabbath peut également être désactivé en appuyant sur Cancel (annulation).

Pour les fours doubles, si les deux fours fonctionnent, appuyer sur Cancel (annulation) pour un four éteint le mode Sabbath pour les deux fours et éteint le four sélectionné. L'autre four revient au mode de cuisson régulier.

Cuisson au four différée en mode Sabbat :

AVERTISSEMENT

Risque d'empoisonnement alimentaire

Ne pas laisser des aliments dans un four plus d'une heure avant ou après la cuisson.

Le non-respect de cette instruction peut causer un empoisonnement alimentaire ou une maladie.

Pour les modèles de fours doubles, les températures et les minuteries de cuisson du four supérieur et du four inférieur peuvent être réglées indépendamment.

Si une minuterie de cuisson est réglée, le compte à rebours n'apparaît pas. La minuterie apparaît fixe au temps réglé.

Activation :

1. Appuyer sur la touche Mise sous/hors tension, puis appuyer sur TOOLS (outils).
2. Sélectionner SABBATH (sabbat), puis appuyer sur Next (suivant).
3. Appuyer sur On (activer), puis appuyer sur Set (réglage).
REMARQUE : L'état programmé du ou des fours s'affiche.
4. Appuyer sur Change (changement).
5. Pour les fours simples, passer à l'étape 6. Pour les fours doubles, sélectionner le four désiré, puis appuyer sur Next (suivant).
6. Sélectionner la température du four désiré et appuyer sur Next (suivant).
7. (Facultatif) Régler le temps de cuisson (0 h) et appuyer sur Set (réglage).

OU

Appuyer sur Skip Timer (passer la minuterie).

8. Appuyer sur Delay (différer) et régler l'heure de "Mise en marche de cuisson à" et l'heure "d'Arrêt de cuisson à".

REMARQUE : Si une heure de cuisson est réglée dans les étapes précédentes, l'heure "d'Arrêt de cuisson à" est calculée basée sur l'heure de cuisson. Si la minuterie n'est pas réglée, le mode Sabbat continuera à fonctionner jusqu'à ce qu'il soit annulé.

9. Appuyer sur Set (réglage).
10. Réviser les réglages et appuyer sur START (mise en marche) pour démarrer le programme de cuisson.

REMARQUE : Une fois que la minuterie s'est écoulée; l'ouverture et la fermeture de la porte du four désactiveront le mode Sabbat.

Changer la température

Les températures du four peuvent être modifiées en mode Sabbat en appuyant sur les boutons -25 °F (-5 °C) ou +25 °F (+5 °C). Appuyer sur ces boutons n'effectuera aucune modification à l'écran et aucun signal sonore ne retentira.

Par exemple, appuyer sur le bouton +25 °F (+5 °C) 3 fois augmente la température de la cavité du four de +75 °F (+15 °C); toutefois, la température réglée de la cavité du four restera à l'écran.

REMARQUE : Pour les modèles à double four, la température de la cavité du four peut être réglée individuellement.

UTILISATION AU FOUR

Des odeurs et de la fumée sont normales lorsque le four est utilisé les premières fois, ou lorsqu'il est très sale.

Lors de l'utilisation du four, les éléments de chauffage ne sont pas actifs mais fonctionnent par intermittence lors du fonctionnement du four.

IMPORTANT : La santé de certains oiseaux est très sensible aux émanations de fumée. L'exposition aux émanations peut entraîner la mort de certains oiseaux. Toujours déplacer les oiseaux dans une autre pièce fermée et bien aérée.

Si la porte du four est ouverte pendant un mode de cuisson pendant environ 60 secondes, le ventilateur de refroidissement commence à fonctionner à une plus grande vitesse. Il peut produire plus de bruit pendant cette période. Lorsque la porte du four est fermée, le ventilateur reprendra sa basse vitesse après environ 60 secondes.

Papier d'aluminium

IMPORTANT : Pour éviter des dommages permanents au fini du fond du four, ne pas recouvrir le fond avec du papier d'aluminium ou un revêtement quelconque.

- Pour obtenir les meilleurs résultats de cuisson, ne pas couvrir entièrement la grille d'aluminium, car l'air doit pouvoir circuler librement.
- Pour récupérer les renversements, placer du papier d'aluminium sur la grille sous le plat. S'assurer que l'aluminium est au moins 1/2" (13 mm) plus grand que le plat et que les bords sont relevés.

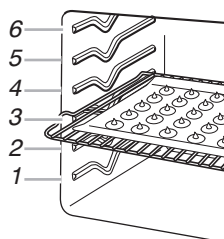
Position des grilles et des ustensiles de cuisson au four

IMPORTANT : Afin d'éviter des dommages permanents au fini en porcelaine, ne pas placer d'aliments ou d'ustensiles de cuisson au four directement sur la porte ou sur le fond du four.

Grilles

- Placer les grilles avant d'allumer le four.
- Ne pas installer les grilles lorsque des ustensiles de cuisson au four se trouvent dessus.
- S'assurer que les grilles sont horizontales.

Pour déplacer une grille, la tirer jusqu'à la butée d'arrêt, soulever le rebord avant et la tirer pour la sortir du four. Se servir de l'illustration et du tableau suivants comme guide.



Positionnement des grilles et des ustensiles de cuisson au four

Positions de grille – Four supérieur et inférieur

Cuisson au gril

Aliment	Position de grille
Pour la plupart des cuissons au gril	6

Pour qu'une galette à hamburger soit bien saisie à l'extérieur tout en restant bien tendre à l'intérieur, utiliser une grille plate en position 6. On doit cuire le 1er côté pendant environ 3 minutes. La cuisson du 2e côté devrait prendre entre 3 et 4 minutes. Une légère fumée peut se dégager durant la cuisson au gril.

Cuisson traditionnelle

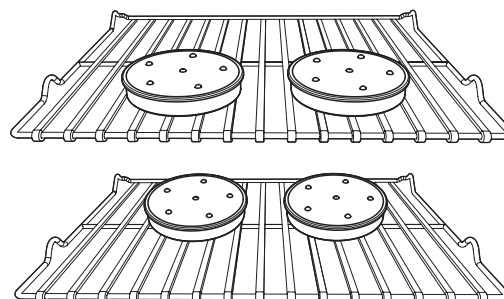
Aliment	Position de grille
Gros rôtis, dindes, gâteaux des anges, gâteaux Bundt, pains éclairs, tartes	1 ou 2
Pains à la levure, mets en sauce, viande, volaille	2
Biscuits, muffins et gâteaux	2 ou 3 pour une cuisson au four sur une seule grille; 2 et 5 pour une cuisson au four sur plusieurs grilles

Cuisson par convection

Réglage du four	Nombre de grilles utilisées	Position des grilles
Cuisson au four avec préchauffage rapide	1	3
Cuisson au four par convection avec préchauffage rapide	1	3
Cuisson au four par convection	1	1, 2 ou 3
Cuisson au four par convection	2	2 et 5
Cuisson au four par convection	3	1, 3 et 5
Rôtissage par convection	1	1 ou 2
Cuisson au gril par convection	1	4, 5 ou 6

Cuisson au four de gâteaux sur deux grilles

Pour des résultats optimaux lors de la cuisson au four de gâteaux sur 2 grilles, utiliser la fonction Bake (cuisson au four) et les grilles plates en positions 2 et 5. Placer les gâteaux sur les grilles tel qu'indiqué. Prévoir un espace d'au moins 2 pouces entre le bord avant des grilles et le bord avant des gâteaux.



Cuisson au four de biscuits sur deux grilles

Pour des résultats optimaux lors de la cuisson au four de biscuits sur deux grilles, utiliser la fonction cuisson au four par convection et placer les grilles en positions 2 et 5.

Ustensiles de cuisson

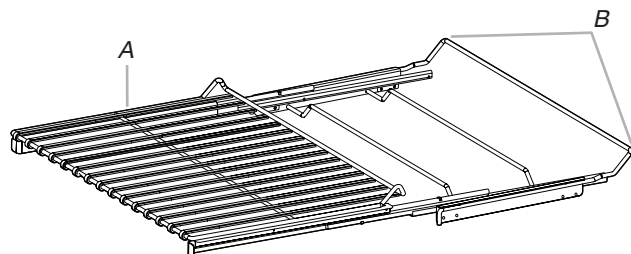
L'air chaud doit pouvoir circuler autour de l'aliment pour le cuire uniformément. Pour de meilleurs résultats, laisser un espace de 2" (5 cm) entre les ustensiles de cuisson et les parois du four. Utiliser le tableau suivant comme guide.

Nombre d'ustensiles	Position sur la grille
1	Centre de la grille
2	Côte à côte ou légèrement décalés
3 ou 4	Voir les illustrations de position de grille dans cette section pour connaître le positionnement recommandé pour les plats.

Grille coulissante déployante

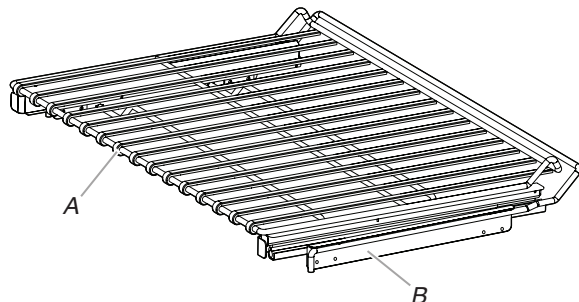
La grille déployante offre un accès facile à l'utilisateur pour le positionnement et le retrait des aliments. Elle peut être utilisées sur les positions de grille 1 à 6.

Position déployée



A. Grille déployante
B. Support coulissant

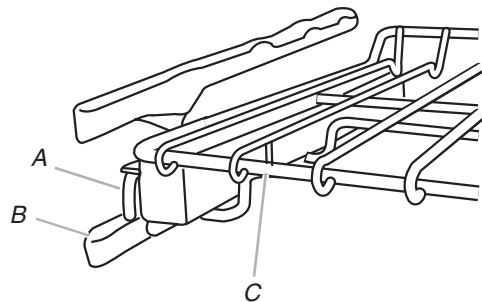
Position rétractée et emboîtée



A. Grille déployante
B. Support coulissant

Retrait de la grille déployante :

1. Enfoncer la grille complètement en la faisant glisser jusqu'à ce qu'elle soit rétractée et emboîtée sur le support coulissant.
2. À deux mains, soulever l'avant de la grille et pousser le support coulissant vers la paroi arrière du four jusqu'à ce qu'il repose sur les rails pour grille. L'avant de la grille et du support coulissant doivent se trouver plus haut que l'arrière.



A. Support coulissant
B. Rail pour grille
C. Grille déployante

3. Retirer la grille et le support coulissant.

Réinstallation de la grille déployante :

1. À deux mains, saisir l'avant de la grille rétractée et du support coulissant. Placer la grille rétractée et le support coulissant sur le rail pour grille.
2. À deux mains, soulever l'avant de la grille et du support coulissant en même temps.
3. Pousser lentement la grille et le support coulissant vers l'arrière du four jusqu'à ce que l'arrière de la grille chevauche l'extrémité du rail pour grille.

Afin d'éviter d'endommager les supports coulissants, ne pas placer plus de 25 lb (11,4 kg) sur la grille.

Ne pas nettoyer la grille coulissante déployante au lave-vaisselle. Ceci pourrait enlever le lubrifiant de la grille et nuire à ses facultés de glissement.

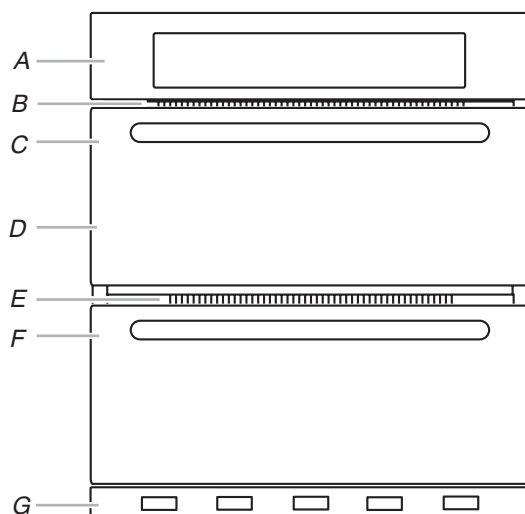
Voir la section "Nettoyage général" pour plus de renseignements.

Ustensiles de cuisson

Le matériau des ustensiles de cuisson affecte les résultats de cuisson. Suivre les recommandations du fabricant et utiliser le format d'ustensiles recommandé dans la recette. Utiliser le tableau suivant comme guide.

USTENSILES DE CUISSON / RÉSULTATS	RECOMMANDATIONS
Aluminium légèrement coloré <ul style="list-style-type: none"> ■ Croûtes légèrement dorées ■ Brunissage uniforme 	<ul style="list-style-type: none"> ■ Utiliser la température et la durée recommandées dans la recette.
Aluminium foncé et autres ustensiles de cuisson avec fini foncé, terne ou antiadhésif <ul style="list-style-type: none"> ■ Croûtes brunes, croustillantes 	<ul style="list-style-type: none"> ■ Peut nécessiter de réduire légèrement les températures de cuisson au four. ■ Utiliser la durée de cuisson suggérée. ■ Pour les tartes, les pains et les mets en sauce, utiliser la température et la durée recommandées dans la recette. ■ Placer la grille au centre du four.
Tôles à biscuits ou moules à cuisson à isolation thermique <ul style="list-style-type: none"> ■ Brunissage faible ou non existant à la base 	<ul style="list-style-type: none"> ■ Suivre les recommandations de positionnement de grille dans la section "Positionnement des grilles et ustensiles de cuisson au four". ■ Peut nécessiter d'augmenter la durée de cuisson.
Acier inoxydable <ul style="list-style-type: none"> ■ Croûtes légèrement dorées ■ Brunissage irrégulier 	<ul style="list-style-type: none"> ■ Peut nécessiter d'augmenter la durée de cuisson.
Grès/pierre de cuisson <ul style="list-style-type: none"> ■ Croûtes croustillantes 	<ul style="list-style-type: none"> ■ Suivre les instructions du fabricant.
Verrerie ou céramique allant au four <ul style="list-style-type: none"> ■ Croûtes brunes, croustillantes 	<ul style="list-style-type: none"> ■ Peut nécessiter de réduire les températures de cuisson au four légèrement.

Événements du four



Four simple et double

- A. Tableau de commande
- B. Événement du four
- C. Four simple ou four double supérieur
- G. Événement inférieur

Four double

- D. Four supérieur
- E. Événement du four
- F. Four inférieur
- G. Événement inférieur

Les événements du four ne doivent être ni obstrués ni couverts, car ils permettent l'introduction d'air frais dans le système de refroidissement. En outre, l'événement inférieur ne doit être ni obstrué ni couvert, car il permet l'introduction d'air frais dans le système de refroidissement et l'évacuation de l'air chaud du système de refroidissement. Le fait d'obstruer ou de couvrir les événements nuit à la circulation adéquate de l'air et affecte les résultats de cuisson, de nettoyage et de refroidissement.

Préchauffage et température du four

Préchauffage

Au début d'un programme de cuisson au four ou de cuisson au four avec convection, le four commence par un préchauffage une fois la touche Start (démarrer) enfoncée. Le four atteint 350 °F (177 °C) en 12 à 18 minutes environ lorsque toutes les grilles fournies avec le four sont à l'intérieur de la cavité du four. Pour atteindre une température plus élevée, le préchauffage est plus long. Le programme de préchauffage augmente rapidement la température du four. La température réelle du four dépasse alors la température programmée, pour compenser la chaleur perdue à l'ouverture du four pour y introduire le plat à cuire. Ainsi, le four entame la cuisson à la température correcte après y avoir placé le plat. Placer les aliments au four lorsque le signal sonore de préchauffage retentit. Ne pas ouvrir la porte du four pendant le préchauffage tant que le signal sonore n'a pas retenti.

REMARQUE : Si la minuterie de cuisson est réglée et que la porte du four est ouverte durant le préchauffage, la minuterie démarre automatiquement.

Température du four

En cours d'utilisation, les éléments chauffants du four s'allument et s'éteignent par intermittence pour maintenir une température constante. Ils peuvent chauffer ou refroidir légèrement à tout moment du fait de ce fonctionnement intermittent. L'ouverture de la porte du four en cours d'utilisation laisse échapper l'air chaud et refroidit le four, ce qui peut modifier la durée nécessaire et le résultat de la cuisson. Pour suivre l'avancement de la cuisson, il est conseillé d'utiliser l'éclairage du four.

Cuisson au four et rôtissage

IMPORTANT : Le ventilateur de convection et l'élément de convection peuvent se mettre en marche durant la fonction de cuisson au four pour améliorer la performance et la distribution de chaleur.

Le four atteint 350 °F (177 °C) en 12 à 18 minutes environ lorsque toutes les grilles du four sont à l'intérieur de la cavité. Le programme de préchauffage augmente rapidement la température à l'intérieur de la cavité du four. Pour atteindre une température plus élevée, le préchauffage est plus long. Les facteurs qui peuvent influencer la durée de préchauffage incluent la température ambiante, la température du four et le nombre de grilles installées. Pour réduire la durée de préchauffage, on peut retirer les grilles inutilisées avant de préchauffer le four. La température réelle du four dépasse alors la température programmée, pour compenser la chaleur perdue à l'ouverture du four pour y introduire le plat à cuire. Ainsi, le four entame la cuisson à la température correcte après y avoir placé le plat. Placer les aliments au four lorsque le signal sonore de préchauffage retentit. Ne pas ouvrir la porte du four pendant le préchauffage tant que le signal sonore n'a pas retenti.

Durant la cuisson au four ou le rôtissage, les éléments de cuisson au four et de cuisson au gril s'allument et s'éteignent par intermittence afin de maintenir la température du four.

Selon le modèle, si la porte du four est ouverte pendant la cuisson au four ou le rôtissage, les éléments chauffants (cuisson au four et au gril) s'éteignent environ 30 secondes après l'ouverture de la porte. Ils se remettent de nouveau en marche environ 30 secondes après la fermeture de la porte.

Cuisson au gril

La cuisson au gril utilise la chaleur radiante directe pour cuire les aliments.

L'élément s'allume et s'éteint par intermittence pour maintenir la température du four.

REMARQUE : Aucun préchauffage n'est requis pour la fonction Cuisson au gril.

IMPORTANT : Fermer la porte pour une température de cuisson au gril adéquate.

Si la porte du four est ouverte pendant la cuisson au gril, l'élément de cuisson au gril s'éteint au bout d'environ 30 secondes. Lorsque la porte du four est refermée, les éléments sont réactivés environ 30 secondes plus tard.

- Pour de meilleurs résultats, utiliser une lèchefrite et une grille. La grille est conçue pour laisser s'écouler les jus et aider à éviter les éclaboussures et la fumée.
- Pour que l'écoulement puisse se faire correctement, ne pas recouvrir la grille de papier d'aluminium. Le fond de la lèchefrite peut être garni de papier d'aluminium pour en faciliter le nettoyage.
- Enlever l'excès de graisse pour réduire les éclaboussures. Entailler le gras résiduel sur les côtés pour éviter que la viande ne se croqueville.
- Sortir la grille jusqu'à la butée d'arrêt avant de tourner ou d'enlever les aliments. Utiliser une pince pour tourner les aliments et éviter la perte de jus. Il est possible qu'il ne soit pas nécessaire de tourner les coupes très minces de poisson, de volaille ou de viande.
- Après la cuisson au gril, sortir la lèchefrite du four en même temps que l'aliment. Les jus de cuisson cuiront sur la lèchefrite si on la laisse dans le four encore chaud et rendront le nettoyage plus difficile.

Convection

Dans un four à convection, l'air chaud déplacé par ventilateur distribue la chaleur d'une manière plus uniforme. Ce déplacement de l'air chaud aide à maintenir une température uniforme dans tout le four, permettant ainsi de cuire les aliments plus uniformément tout en conservant leur humidité naturelle à l'intérieur.

On peut cuire la plupart des aliments au mode de cuisson au four par convection en baissant la température de cuisson de 25 °F (14 °C). La durée de cuisson peut être considérablement réduite lorsqu'on utilise le rôtissage par convection, surtout pour les grosses dindes et les rôtis.

- Il est important de ne pas couvrir les aliments avec des couvercles ou du papier d'aluminium de telle sorte que la surface reste exposée au déplacement de l'air, permettant ainsi le brunissage et le croustillant.
- Éviter au maximum la perte de chaleur en ouvrant la porte du four seulement lorsque c'est nécessaire. Pour suivre l'avancement de la cuisson, il est conseillé d'utiliser l'éclairage du four.
- Choisir des tôles à biscuits sans bords et des plats de rôtissage à contour plus bas pour permettre à l'air de circuler librement autour de l'aliment.
- Vérifier la cuisson des produits de boulangerie quelques minutes avant le temps de cuisson minimal, avec un cure-dents par exemple.
- Utiliser un thermomètre à viande ou la sonde thermométrique pour déterminer le degré de cuisson des viandes et de la volaille. Vérifier la température du porc et de la volaille à 2 ou 3 endroits.

Cuisson au four par convection

L'élément de convection est dissimulé dans le panneau arrière de la cavité du four et assisté par le ventilateur de convection pour assurer un chauffage efficace et équilibré.

La cuisson au four par convection peut être utilisée pour cuire des gâteaux délicats et des pâtisseries, ainsi que des aliments sur plusieurs grilles. Il est utile de décaler les articles sur les grilles pour permettre une circulation plus uniforme de la chaleur. Si le four est plein, il faudra peut-être allonger la durée de cuisson.

Lors de la cuisson au four d'un repas comportant plusieurs types différents d'aliments, veiller à choisir des recettes nécessitant des températures semblables. Prévoir un espace d'au moins 2" (5 cm) entre l'ustensile de cuisson et les parois du four.

Lors du préchauffage pour la cuisson au four par convection, les éléments de convection, de cuisson au four et de cuisson au gril chauffent la cavité du four. Après le préchauffage, ces éléments s'allument et s'éteignent par intermittence pour maintenir la température du four, tandis que le ventilateur fait circuler l'air chaud.

Si on ouvre la porte du four pendant la cuisson au four par convection, le ventilateur s'éteint immédiatement et il se met en marche dès que l'on referme la porte. Les éléments de cuisson par convection, de cuisson au four et de cuisson au gril s'éteignent environ 30 secondes après l'ouverture de la porte. Ils se remettent de nouveau en marche environ 30 secondes après la fermeture de la porte.

REMARQUE : Il est normal que le ventilateur de convection fonctionne durant les programmes sans cuisson par convection et durant le préchauffage.

- Réduire la température de la recette de 25 °F (14 °C). Le temps de cuisson devra peut-être aussi être réduit.

Cuisson au four par convection :

Avant la cuisson au four par convection, placer les grilles comme indiqué à la section "Positionnement des grilles et des ustensiles de cuisson".

Rôtissage par convection

Le rôtissage par convection est utilisé pour le rôtissage des viandes et de la volaille. Durant le rôtissage par convection, les éléments de cuisson au four, de cuisson au gril et cuisson par convection s'allument et s'éteignent par intermittence pour maintenir la température du four tandis que le ventilateur fait circuler l'air chaud.

Si on ouvre la porte du four pendant le rôtissage par convection, le ventilateur s'éteint immédiatement et il se met en marche dès que l'on referme la porte. Les éléments de cuisson au four, de cuisson au gril et de cuisson par convection s'éteignent environ 30 secondes après l'ouverture de la porte. Ils se remettent de nouveau en marche environ 30 secondes après la fermeture de la porte.

REMARQUE : Il est normal que le ventilateur de convection fonctionne durant les programmes sans cuisson par convection et durant le préchauffage.

Rôtissage par convection :

Avant le rôtissage par convection, placer les grilles comme indiqué à la section "Positionnement des grilles et des ustensiles de cuisson". Il n'est pas nécessaire de préchauffer le four avant d'y placer l'aliment, sauf si la recette le recommande.

Cuisson au gril par convection

Durant la cuisson au gril par convection, l'élément de cuisson au gril s'allume et s'éteint par intermittence pour maintenir le four à température constante tandis que le ventilateur fait circuler l'air chaud.

La température est pré-réglée à 550 °F (288 °C), mais elle peut être modifiée. Les durées de cuisson varient en fonction de la position de la grille et de la température et il peut être nécessaire de les ajuster.

Si on ouvre la porte du four pendant la cuisson au gril par convection, le ventilateur s'éteint immédiatement et il se met en marche dès que l'on referme la porte. Les éléments de cuisson au gril s'éteignent environ 30 secondes après l'ouverture de la porte. Ils se remettent de nouveau en marche environ 30 secondes après la fermeture de la porte.

REMARQUE : Il est normal que le ventilateur de convection fonctionne durant les programmes sans cuisson par convection et durant le préchauffage.

Cuisson au gril par convection :

Pour une performance idéale, laisser le four préchauffer pendant 5 minutes (aucune tonalité de préchauffage ne retentit). Placer l'aliment sur la grille non chauffée de la lèchefrite, puis placer celle-ci au centre de la grille du four, avec le côté le plus long de la lèchefrite parallèle à la porte du four.

Levée du pain

La levée du pain prépare la pâte pour la cuisson en activant la levure. Sauf indication contraire de la recette, il est recommandé de procéder à une double levée.

Pour faire lever la pâte :

Pour un meilleur rendement, s'assurer que la température de la cavité du four est inférieure à 120 °F (49 °C) avant de placer la pâte dans la cavité du four.

Avant la première levée de pain, placer la pâte dans un bol légèrement graissé et couvrir sans serrer avec de la pellicule de plastique recouvert de graisse végétale ou d'enduit à cuisson antiadhésif. Placer le bol sur la grille en position 2. Voir la section "Positionnement des grilles et ustensiles de cuisson" pour le diagramme. Fermer la porte.

1. Appuyer sur BRIDGE (liaison). L'affichage indiquera 100°F (38°C).
2. Appuyer sur START (mise en marche). Laisser la pâte lever jusqu'à ce qu'elle ait presque doublé de volume. Vérifier après 20 à 25 minutes. La durée de levée du pain peut varier en fonction du type de pâte et de la quantité.
3. Appuyer sur la touche CANCEL (annulation) du four sélectionné une fois la levée du pain terminée.

Avant la seconde levée, mettre la pâte en forme, la placer sur la plaque de cuisson et couvrir partiellement. Reprendre le même positionnement et vérifier que les étapes ci-dessus ont bien été suivies. Avant la cuisson au four, retirer le papier ciré ou la pellicule plastique.

Sonde thermométrique

La sonde thermométrique mesure précisément la température interne de la viande, de la volaille et des mets en sauce et doit être utilisée pour déterminer le degré de cuisson de la viande et de la volaille. La sonde thermométrique doit être utilisée uniquement avec les fonctions cuisson au four, cuisson au four par convection ou rôtissage par convection.

Toujours débrancher et retirer la sonde thermométrique du four lorsqu'on retire les aliments.

Utilisation :

Avant de l'utiliser, insérer la sonde à l'intérieur de l'aliment. Pour les viandes, l'extrémité de la sonde doit se trouver au centre de la partie la plus épaisse de la viande et non dans le gras ou au contact d'un os. Placer les aliments dans le four et connecter la sonde thermométrique à la prise. Maintenir la sonde aussi loin que possible de la source de chaleur. Fermer la porte du four.

REMARQUE : On doit insérer la sonde thermométrique dans l'aliment avant de sélectionner le mode souhaité.

1. Appuyer sur la touche Mise sous/hors tension et sélectionner "Cuisson avec sonde" du menu Mode de cuisson.
2. Faire défiler la liste jusqu'au mode de cuisson désiré.
3. Faire défiler la liste jusqu'à la température de cuisson désirée.
4. Faire défiler la liste jusqu'à la température d'aliment désirée.
5. Appuyer sur START (mise en marche).

OU

Appuyer sur DELAY pour différer le programme de cuisson. Se référer à la section "Cuisson minutée" pour régler les heures de mise en marche différée et de fin.

Cuisson minutée

AVERTISSEMENT

Risque d'empoisonnement alimentaire

Ne pas laisser des aliments dans un four plus d'une heure avant ou après la cuisson.

Le non-respect de cette instruction peut causer un empoisonnement alimentaire ou une maladie.

La fonction de minuterie du four et la fonction de mise en marche différée permettent d'allumer le ou les fours à une certaine heure de la journée, d'effectuer une cuisson pendant une durée déterminée ou d'éteindre le four automatiquement. La mise en marche différée ne doit pas être utilisée pour les aliments tels que pains et gâteaux, car ils risquent de ne pas bien cuire.

Réglage de la minuterie du four :

La minuterie du four éteint le four sélectionné lorsque la durée réglée s'est écoulée. La durée maximale est 11:59:00.

1. Appuyer sur le mode de cuisson désiré et sélectionner la température du four désirée, puis appuyer sur START (mise en marche).
2. Appuyer sur OVEN TIMER (minuterie du four) près du mode de cuisson et de la température affichés.
3. Faire défiler la liste jusqu'à la durée désirée pour la minuterie du four.
4. Appuyer sur START (mise en marche).

OU

Appuyer sur WHEN DONE pour sélectionner le comportement du four après que la minuterie du four s'est écoulée. Choisir entre HOLD TEMP (maintien de la température) par défaut, KEEP WARM (maintien au chaud), et OVEN OFF (arrêt du four). Appuyer sur SET (appliquer).

Une fois que la minuterie du four s'est écoulée, le comportement "When Done" débute et un message "TIMER ENDED AT XX-XX" (minuterie s'est écoulée à (heure du jour)) est affiché.

Les signaux sonores de fin de programme se font entendre (si activés), suivis des signaux à intervalles d'une minute.

5. Appuyer sur la touche CANCEL (annulation) du four sélectionné ou ouvrir la porte et refermer pour effacer l'affichage et/ou arrêter les signaux sonores de rappel.

Réglage de la durée de cuisson différée et de l'heure d'arrêt :

Avant le réglage, s'assurer que l'horloge est réglée à l'heure exacte. Pour les fours doubles, s'assurer de sélectionner le four désiré avant de poursuivre.

1. Appuyer sur le mode de cuisson désiré et sélectionner la température du four désirée.

REMARQUE : La mise en marche différée peut être utilisée avec la fonction Levée du pain, mais la température n'est pas modifiable.

2. Appuyer sur DELAY (différer)
3. Faire défiler la liste jusqu'à l'heure de "Mise en marche de cuisson à".

REMARQUE : Les heures de mise en marche et de fin de la cuisson sont arrondies au plus près du quart d'heure (00:00, 00:15, 00:30 et 00:45).

4. Faire défiler la liste jusqu'à l'heure d'"Arrêt de cuisson à".
5. Appuyer sur SET (appliquer).

OU

Appuyer sur START NOW (mise en marche maintenant) pour démarrer la minuterie de cuisson.

La différence entre l'heure de "Mise en marche de cuisson à" et l'heure d'"Arrêt de cuisson" est utilisée comme minuterie de cuisson.

Lorsque l'heure de mise en marche est atteinte, le four s'allume automatiquement. Le compte à rebours en minutes apparaît sur l'affichage du four.

Une fois que la minuterie du four s'est écoulée, le comportement "When Done" débute et un message "TIMER ENDED AT XX-XX" (minuterie s'est écoulée à (heure du jour)) est affiché.

Les signaux sonores de fin de programme se font entendre (si activés), suivis des signaux de rappel à intervalles d'une minute.

6. Appuyer sur CANCEL (annulation) pour le four sélectionné pour annuler le programme en cours et retourner au menu principal.

Si la porte du four est ouverte et fermée après la fin du programme, l'affichage est effacé et les signaux sonores de rappel s'arrêtent, mais le four continuera de fonctionner à la fin du comportement du programme sélectionné (Keep Warm (maintien au chaud) est le comportement par défaut).

ENTRETIEN DU FOUR

Programme d'autonettoyage

AVERTISSEMENT



Risque de brûlures

Ne pas toucher le four au cours du programme d'autonettoyage.

Garder les enfants loin du four au cours du programme d'autonettoyage.

Le non-respect de ces instructions peut causer des brûlures.

IMPORTANT : La santé de certains oiseaux est très sensible aux émanations qui surviennent durant le programme d'autonettoyage.

L'exposition aux émanations peut entraîner la mort de certains oiseaux. Toujours déplacer les oiseaux dans une autre pièce fermée et bien aérée.

Procéder à l'autonettoyage du four avant qu'il ne devienne très sale. Les saletés intenses nécessitent un nettoyage plus long et dégagent plus de fumée.

Veiller à ce que la cuisine soit bien aérée pendant le programme d'autonettoyage afin d'aider à éliminer la chaleur, les odeurs et la fumée.

Ne pas obstruer le ou les événements du four durant le programme d'autonettoyage. L'air doit pouvoir circuler librement. Voir la section "Événements du four".

Ne pas nettoyer, frotter, endommager ou déplacer le joint d'étanchéité de la porte du four. Le joint de la porte est essentiel pour une bonne étanchéité.

Préparation du four :

- Sortir du four la lèchefrite, la grille et les ustensiles de cuisson au four et, sur certains modèles, la sonde thermométrique.
- Sortir les grilles du four pour les garder brillantes et pour qu'elles glissent facilement. Voir la section "Nettoyage général" pour plus de renseignements.
- Enlever tout papier d'aluminium du four; celui-ci risquerait de brûler ou de fondre et d'endommager le four.
- Nettoyer manuellement l'intérieur de la porte et une zone de 1 1/2 po (3,8 cm) sur le pourtour du cadre de la cavité du four, en prenant soin de ne pas déplacer ni plier le joint d'étanchéité. Cette section ne devient pas assez chaude au cours du programme d'autonettoyage pour pouvoir éliminer la saleté. Ne pas laisser d'eau, de nettoyant, etc. pénétrer dans les fentes du cadre de la porte. Nettoyer avec un chiffon humide.
- Essuyer toute saleté décollée afin de réduire la fumée et d'éviter les dommages. À des températures élevées, les aliments réagissent avec la porcelaine. Cette réaction peut causer des taches, des attaques, des piqûres ou de légères taches blanches. Ceci est normal et n'affecte pas la performance de cuisson.

Comment fonctionne le programme

IMPORTANT : Le chauffage et le refroidissement de la porcelaine sur l'acier dans le four peuvent causer une décoloration, une perte de lustre, des fissures minuscules et des craquements.

Le programme d'autonettoyage utilise des températures très élevées, brûlant les saletés pour les réduire en cendre.

Les durées de nettoyage suggérées sont de 3 h pour les saletés légères, 4 h pour les saletés moyennes, et 5 h pour les saletés moyennes à intenses.

Lorsque le four a complètement refroidi, retirer la cendre avec un chiffon humide. Afin d'éviter de briser le verre, ne pas appliquer de chiffon humide et froid sur la partie interne du hublot de la porte avant qu'il n'ait complètement refroidi.

Les lampes du four ne fonctionnent pas durant le programme d'autonettoyage.

REMARQUE : Le four possède un moteur de ventilateur de refroidissement à 2 vitesses. Pendant le programme d'autonettoyage, les ventilateurs fonctionneront à la vitesse la plus élevée pour augmenter le flux d'air et faciliter l'évacuation de l'air chaud par les événements du four. Une augmentation du bruit peut être constatée pendant et après le programme d'autonettoyage jusqu'au refroidissement du four.

Démarrage du programme d'autonettoyage :

Avant l'autonettoyage, s'assurer que la porte est complètement fermée sinon elle ne se verrouillera pas et le programme ne commencera pas.

1. Pour les fours simples, appuyer sur AUTONETTOYAGE. Pour les fours doubles, appuyer sur TOOLS (outils), sélectionner SELF CLEAN (autonettoyage), puis appuyer sur le four désiré à nettoyer.
2. Sélectionner la durée désirée/niveau de saleté, puis appuyer sur NEXT (suivant).
3. Lire les instructions à l'écran, puis appuyer sur NEXT (suivant).
4. Suivre les instructions à l'écran. Le four invite l'appui sur une série de touches pour confirmer le programme d'autonettoyage.

Le four verrouille la porte et après une courte pause, la minuterie d'autonettoyage et l'état du mode s'affichent à l'écran.

Une fois le programme d'autonettoyage terminé, la porte du four demeure verrouillée jusqu'au refroidissement du four. Pour un meilleur nettoyage, suivre les instructions à l'écran avant de reprendre l'usage régulier du four.

Pour arrêter le programme d'autonettoyage à tout moment :

Appuyer sur la touche CANCEL (annulation) correspondant au four approprié. Si la température du four est trop élevée, la porte reste verrouillée. Elle ne se déverrouille pas tant que le four n'a pas refroidi.

Nettoyage général

IMPORTANT : Avant le nettoyage, s'assurer que toutes les commandes sont désactivées et que le four est froid. Toujours suivre les instructions figurant sur les étiquettes des produits de nettoyage. Pour plus de renseignements, vous pouvez consulter la section Foire Aux Questions (FAQ) de notre site Web sur www.jennair.com. Au Canada, consulter la section service à la clientèle à www.jennair.ca.

L'usage de savon, d'eau et d'un chiffon doux ou d'une éponge est suggéré en priorité, sauf indication contraire.

ACIER INOXYDABLE (sur certains modèles)

Afin d'éviter d'endommager les surfaces en acier inoxydable, ne pas utiliser de tampons à récurer savonneux, de nettoyants abrasifs, de crème à polir pour table de cuisson, de tampons en laine d'acier, de chiffons de lavage rêches ou d'essuie-tout abrasifs.

Méthode de nettoyage :

Frotter dans la direction du grain pour éviter les dommages.

- Nettoyant affresh® pour acier inoxydable — numéro de pièce W10355016 (non fournie) : Voir la section "Accessoires" pour plus de renseignements.

EXTÉRIEUR DE LA PORTE DU FOUR

Méthode de nettoyage :

- Nettoyant à vitre et chiffon doux ou éponge : Appliquer le nettoyant à vitre sur un chiffon doux ou une éponge, et non directement sur le tableau.
- Nettoyant affresh® pour cuisine et appareils ménagers — numéro de pièce W10355010 (non fourni) : Voir la section "Accessoires" pour plus de renseignements.

INTÉRIEUR DE LA PORTE DU FOUR

Méthode de nettoyage :

- Programme d'autonettoyage : Pour un nettoyage optimal de la porte, essuyer tout dépôt avec une éponge humide avant de lancer le programme.

TABLEAU DE COMMANDE

Afin d'éviter d'endommager le tableau de commande, ne pas utiliser de nettoyants abrasifs, de tampons en laine d'acier, de chiffons de lavage rêches ou d'essuie-tout abrasifs.

Méthode de nettoyage :

- Nettoyant à vitre et chiffon doux ou éponge : Appliquer le nettoyant à vitre sur un chiffon doux ou une éponge et non directement sur le tableau.
- Nettoyant affresh® pour cuisine et appareils ménagers — numéro de pièce W10355010 (non fourni) : Voir la section "Accessoires" pour plus de renseignements.

CAVITÉ DU FOUR

Ne pas utiliser de nettoyants à four.

Les éclaboussures alimentaires doivent être nettoyées lorsque le four a refroidi. À des températures élevées, les aliments réagissent avec la porcelaine. Cette réaction peut causer des taches, des attaques, des piqûres ou de légères taches blanches.

Méthode de nettoyage :

- Programme d'autonettoyage : Voir d'abord "Programme d'autonettoyage".

GRILLES DU FOUR

Méthode de nettoyage :

- Tampon en laine d'acier

Lampes du four

Les lampes du four sont des ampoules à halogène de 120 V, 40 W maximum. Elles s'allument à l'ouverture de la porte du four. Sur les modèles à double four, les lampes supérieure et inférieure s'allument lorsque l'une des deux portes est ouverte. Les lampes du four ne fonctionnent pas durant le programme d'autonettoyage.

Lorsque la porte est fermée, appuyer sur la touche Oven Light (lampe du four) appropriée pour allumer la lampe du four.

Remplacement :

Avant de procéder au remplacement, s'assurer que le four est éteint et froid.

- Déconnecter la source de courant électrique.
- Ôter le couvercle en verre de la lampe en saisissant le bord avant et en tirant pour l'écartier du four.



- Ôter l'ampoule de la douille.
- Remplacer l'ampoule en la manipulant avec un mouchoir de papier ou des gants de coton. Pour éviter d'endommager ou de réduire la longévité de l'ampoule neuve, ne pas toucher l'ampoule avec les doigts nus.
- Réinstaller le couvercle de l'ampoule en l'emboîtant dans la paroi.
- Rétablir l'alimentation électrique.

IMPORTANT : Ne pas utiliser d'ampoule d'une puissance supérieure à 40 watts.

Porte du four

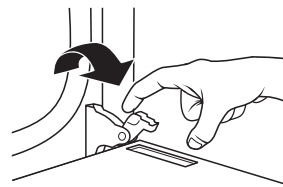
IMPORTANT : Pour éviter de briser la vitre de la porte du four :

- Ne pas fermer la porte du four si les grilles ne sont pas complètement insérées dans la cavité du four ou lorsque les ustensiles de cuisson dépassent à l'avant d'une grille du four.
- Ne pas entreposer d'objets sur la vitre de la porte du four.
- Ne pas frapper la vitre avec des ustensiles de cuisson ou d'autres objets.
- Ne pas essuyer les vitres avant que le four n'ait complètement refroidi.

Il n'est pas suggéré d'enlever la porte du four dans le cadre d'une utilisation normale. Toutefois, si la dépose est nécessaire, s'assurer que le four est éteint et froid. Ensuite, suivre les instructions ci-dessous. La porte du four est lourde.

Démontage :

- Ouvrir la porte du four complètement.
- Relever le loquet de charnière de chaque côté.



- Fermer la porte du four aussi loin que possible.
- Soulever la porte du four en la retenant de chaque côté. Continuer de maintenir la porte du four fermée et la dégager du châssis de la porte du four.



Remplacement :

1. Insérer les deux bras de suspension dans la porte.



2. Ouvrir la porte du four.
Vous devriez entendre un déclic lors de la mise en place de la porte.
3. Remettre les leviers des charnières à la position verrouillée.
Vérifier que la porte s'ouvre et se ferme facilement. Si tel n'est pas le cas, répéter la procédure de dépose et de repose de la porte.

DÉPANNAGE

Essayer d'abord les solutions suggérées ici. Pour obtenir de l'aide ou des conseils qui permettront peut-être d'éviter une intervention de dépannage, consulter la garantie, ou visiter le site Web producthelp.jennair.com.

Au Canada, visiter le site Internet <http://www.jennair.ca>.

Il est possible d'adresser ses commentaires ou questions par courrier à l'adresse ci-dessous :

Aux États-Unis :

JennAir Brand Home Appliances
Customer eXperience Center
553 Benson Road
Benton Harbor, MI 49022-2692

Au Canada :

JennAir Brand Home Appliances
Customer eXperience Centre
200 – 6750 Century Ave.
Mississauga, Ontario L5N 0B7

N'oubliez pas d'indiquer dans votre correspondance un numéro de téléphone où l'on peut vous joindre dans la journée.

Problème	Causes et solutions possibles
Rien ne fonctionne	Un fusible est-il grillé ou un disjoncteur s'est-il déclenché? Remplacer le fusible ou réenclencher le disjoncteur. Si le problème persiste, appeler un électricien. L'appareil est-il correctement raccordé? Voir les instructions d'installation.
Le four ne fonctionne pas	Une mise en marche différée a-t-elle été réglée? Voir la section "Cuisson minutée". Le verrouillage des boutons a-t-il été réglé? Voir la section "Verrouillage des boutons". Le mode Sabbat a-t-il été programmé? Voir la section "Mode Sabbat". Sur les modèles à double four, l'un des fours est-il en cours d'autonettoyage? Lorsqu'un four effectue un programme d'autonettoyage, l'autre four ne peut être ni réglé ni allumé.
La température du four est trop élevée ou trop basse	Le calibrage de la température du four a-t-il besoin d'être ajusté? Voir la section "Commande de la température du four".
De l'air chaud sort de l'évent du four	Il est normal que de l'air chaud sorte de l'évent du four. Durant un programme d'autonettoyage, le débit d'air augmente. Le ventilateur de refroidissement peut fonctionner aussi bien durant un programme du four qu'après la fin du programme, ce qui évacue l'air chaud par l'évent du four.
Des messages s'affichent	L'afficheur indique-t-il une lettre suivie d'un chiffre? Si une lettre suivie d'un chiffre réapparaît, faire un appel de service.
Le ventilateur fonctionne pendant la fonction de cuisson au four	Il est normal que le ventilateur de convection et l'élément de convection se mettent en marche durant la fonction de cuisson au four pour améliorer la performance et la distribution de chaleur.
Longues durées de préchauffage	Certains programmes ne nécessitent pas de préchauffage. Voir les instructions de programme pour connaître les recommandations en ce qui concerne le préchauffage. La plupart des programmes préchauffent à 350°F (177°C) en 12 à 18 minutes. Cette durée augmente pour des températures plus élevées. Pour réduire la durée de préchauffage, on peut retirer les grilles inutilisées avant de préchauffer le four.

<p>Le programme d'autonettoyage ne fonctionne pas</p>	<p>La porte du four est-elle ouverte? Fermer la porte du four complètement.</p> <p>La fonction a-t-elle été entrée? Voir la section "Programme d'autonettoyage".</p> <p>Une mise en marche différée du programme d'autonettoyage a-t-elle été réglée? Voir la section "Programme d'autonettoyage".</p> <p>Sur les modèles à double four, l'un des fours est-il en cours d'autonettoyage? Lorsqu'un four effectue un programme d'autonettoyage, l'autre four ne peut pas être réglé sur un programme d'autonettoyage.</p>
<p>La cuisson au four ne produit pas les résultats prévus</p>	<p>La température correcte est-elle réglée? Vérifier la recette dans un livre de recettes fiable.</p> <p>Le calibrage de la température du four est-il réglé correctement? Voir la section "Commande de la température du four".</p> <p>Le four a-t-il été préchauffé? Voir la section "Cuisson au four et rôtissage".</p> <p>Utilise-t-on un ustensile de cuisson au four approprié? Voir la section "Ustensiles de cuisson".</p> <p>Les grilles sont-elles installées correctement? Voir la section "Positionnement des grilles et ustensiles de cuisson au four".</p> <p>Existe-t-il une circulation d'air appropriée autour des ustensiles de cuisson? Voir la section "Positionnement des grilles et ustensiles de cuisson au four".</p> <p>La pâte est-elle distribuée uniformément dans le plat? Vérifier que la pâte est répartie uniformément dans le plat.</p> <p>Utilise-t-on une durée de cuisson appropriée? Ajuster la durée de cuisson.</p> <p>La porte du four a-t-elle été ouverte pendant la cuisson? L'ouverture de la porte pour vérifier la cuisson laisse la chaleur du four s'échapper et peut nécessiter des durées de cuisson plus longues.</p> <p>Les articles cuits au four sont-ils trop bruns à la base? Déplacer la grille à une position plus élevée dans le four.</p> <p>Les bords des croûtes de tarte ont-ils doré trop tôt? Utiliser du papier d'aluminium pour couvrir le bord de la croûte ou réduire la température de cuisson du four.</p>
<p>Brunissage inégal des articles cuits au four</p>	<p>Voir la section "Positionnement des grilles et ustensiles de cuisson au four".</p> <p>Centrer le ou les ustensiles de cuisson sur la grille et laisser un minimum de 2" (5 cm) de dégagement autour de tous les côtés du ou des ustensiles de cuisson.</p> <p>Laisser un espace d'au moins 2" (5 cm) entre la porte du four et le bord avant des ustensiles de cuisson.</p>
<p>Le ventilateur produit plus de bruit pendant les programmes de cuisson où la porte est ouverte</p>	<p>Si la porte du four est ouverte pendant un mode de cuisson pendant environ 60 secondes, le ventilateur de refroidissement commence à fonctionner à une plus grande vitesse. Il peut produire plus de bruit pendant cette période. Lorsque la porte du four est fermée, le ventilateur reprendra sa basse vitesse après environ 60 secondes.</p>

ASSISTANCE OU SERVICE

Si vous avez besoin de service

Consulter garantie.

Si vous avez besoin de pièces de rechange

Si vous avez besoin de commander des pièces de rechange, nous vous recommandons d'utiliser seulement des pièces spécifiées par l'usine. Les pièces spécifiées par l'usine conviendront et fonctionneront bien car elles sont fabriquées avec la même précision que celles utilisées pour fabriquer chaque nouvel appareil.

Pour localiser des pièces spécifiées par l'usine dans votre région, composer le numéro de téléphone d'aide à la clientèle suivant ou appeler le centre de service désigné le plus proche.

Au Canada

Téléphoner sans frais au Centre pour l'eXpérience de la clientèle Whirlpool Canada LP au **1-800-JENNAIR (1-800-536-6247)** ou visiter notre site Internet sur **www.jennair.ca**.

Nos consultants peuvent vous aider sur les points suivants :

- Appeler pour demander une intervention de dépannage. Les techniciens de service désignés par JennAir® sont formés pour remplir la garantie des produits et fournir un service après la garantie, partout au Canada.
- Caractéristiques et spécifications de notre gamme complète d'appareils ménagers.
- Références aux concessionnaires locaux JennAir®.
- Renseignements pour l'installation.
- Procédés d'utilisation et d'entretien.
- Vente d'accessoires et de pièces de rechange.

Pour de l'aide supplémentaire

Si vous avez besoin d'aide supplémentaire, vous pouvez écrire à JennAir® Appliances en soumettant toute question ou problème à :

JennAir Brand Home Appliances
Customer eXperience Centre
200 - 6750 Century Ave.
Mississauga, Ontario L5N 0B7

Veuillez indiquer dans votre correspondance un numéro de téléphone où l'on peut vous joindre dans la journée.

Accessoires

Pour commander des accessoires, visiter notre site Web **www.jennair.com**.

Nécessaire complet de nettoyage pour table de cuisson

(modèles avec vitrocéramique)
(comprend le nettoyant, le protecteur, l'applicateur pour protecteur, le grattoir et les tampons nettoyeurs)

Protecteur de table de cuisson

(modèles avec vitrocéramique)

Lingettes nettoyantes pour acier inoxydable affresh®

(modèles en acier inoxydable)

Nettoyant pour table de cuisson affresh®

(modèles avec vitrocéramique)

Tampons nettoyeurs pour la table de cuisson

(modèles avec vitrocéramique)

Nettoyant pour acier inoxydable affresh®

(modèles en acier inoxydable)

Nettoyant pour cuisine et appareils ménagers affresh®

Ensemble de nettoyage pour four AquaLift®

Grattoir pour table de cuisson

(modèles avec vitrocéramique)

Nettoyant et poli pour granit

Nettoyant pour plateau d'égouttement et grille de cuisinière à gaz

Plaque à frire Gourmet

Grille de four plate résistante

Grille de four en deux pièces

Grille de four résistante à capacité maximale

Grille de four plate coulissante

Lèchefrite et grille en porcelaine

Lèchefrite et grille de rôtissage de qualité supérieure

Ensemble de garniture

Garniture blanche de 5/8" (1,7 cm)
Garniture noire de 5/8" (1,7 cm)
Garniture en acier inoxydable de 5/8" (1,7 cm)
Garniture blanche de 1 1/8" (2,9 cm)
Garniture noire de 1 1/8" (2,9 cm)
Garniture en acier inoxydable de 1 1/8" (2,9 cm)

Ensemble de dossier

Blanc
Noir
Acier inoxydable

Ensemble de grille

Remarques

Remarques

