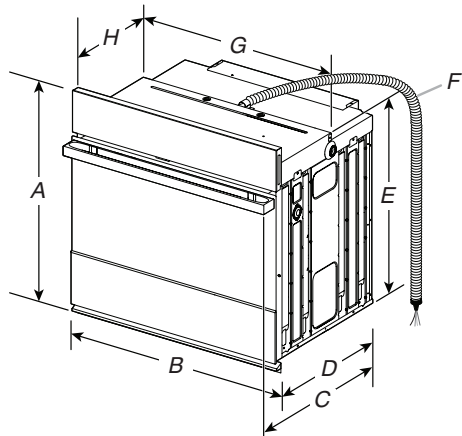


**SINGLE WALL OVENS**

JJW2427I – 27" x 29-7/8" x 25-5/16"

JJW2430I, JJW3430I – 30" x 29-7/8" x 25-5/16"



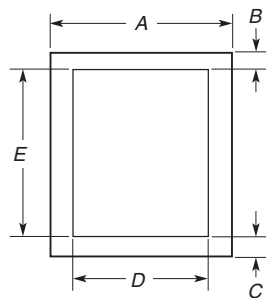
**PRODUCT DIMENSIONS – SINGLE OVENS**

**27" (68.6 CM) MODELS**

- A. 29-7/8" (75.8 cm) max. overall height
- B. 27" (68.6 cm) overall width
- C. JJW2427IM – 26-3/8" (67 cm)  
JJW2427IL – 27-3/16" (69 cm)
- D. 23-1/4" (59.1 cm) max. recessed depth
- E. 27-3/16" (69 cm) recessed height
- F. 48" (121.9 cm) flexible conduit length
- G. 25-7/16" (64.6 cm) max. recessed width
- H. 12" (30.5 cm) from back of control panel to start of strain relief

**30" (76.2 CM) MODELS**

- A. 29-7/8" (75.8 cm) max. overall height
- B. 30" (76.2 cm) overall width
- C. JJW2430IM – 26-3/8" (67 cm)  
JJW2430IL – 27-3/16" (69 cm)  
JJW3430IM – 26-3/8" (67 cm)  
JJW3430IL – 27-3/16" (69 cm)
- D. 23-1/4" (59.1 cm) max. recessed depth
- E. 27-3/16" (69 cm)
- F. 48" (121.9 cm) flexible conduit length
- G. 28-7/16" (72.2 cm) max. recessed width
- H. 12" (30.5 cm) from back of control panel to start of strain relief



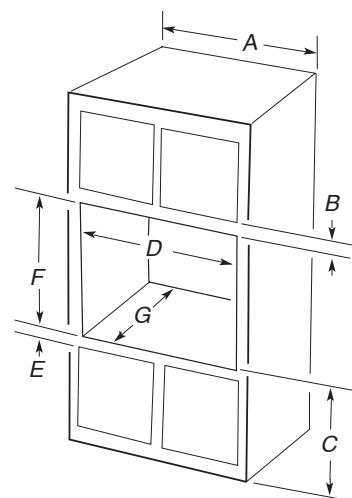
**UNDERCOUNTER CABINET DIMENSIONS – SINGLE OVENS**

**27" (68.6 CM) MODELS**

- A. 27" (68.6 cm) min. cabinet width
- B. 1-1/2" (3.8 cm) min. top of cutout to underside of countertop
- C. 5-1/4" (13.3 cm) bottom of cutout to floor
- D. 25-1/2" (64.8 cm) cutout width
- E. 28" (71.2 cm) min. cutout height

**30" (76.2 CM) MODELS**

- A. 30" (76.2 cm) min. cabinet width
- B. 1-1/2" (3.8 cm) min. top of cutout to underside of countertop
- C. 5-1/4" (13.3 cm) bottom of cutout to floor
- D. 28-1/2" (72.4 cm) cutout width
- E. 28" (71.2 cm) min. cutout height



**SINGLE OVENS INSTALLED IN CABINET**

**27" (68.6 CM) MODELS**

- A. 27" (68.6 cm) min. cabinet width
- B. 2-3/16" (5.5 cm) top of cutout to bottom of upper cabinet door
- C. 32" (81.3 cm) bottom of cutout to floor
- D. 25-1/2" (64.8 cm) cutout width
- E. 1-1/2" (3.8 cm) min. bottom of cutout to top of cabinet door
- F. 28" (71.2 cm)\* recommended cutout height
- G. 24" (60.7 cm) cutout depth

\*NOTE: The cutout height can be between 27-1/4" (69.2cm) and 29-7/16" (74.8 cm) for 27" single ovens.

**30" (76.2 CM) MODELS**

- A. 30" (76.2 cm) min. cabinet width
- B. 2-3/16" (5.5 cm) top of cutout to bottom of upper cabinet door
- C. 32" (81.3 cm) bottom of cutout to floor
- D. 28-1/2" (72.4 cm) cutout width
- E. 1-1/2" (3.8 cm) min. bottom of cutout to top of cabinet door
- F. 28" (71.2 cm)\* recommended cutout height
- G. 24" (60.7 cm) cutout depth

\*NOTE: The cutout height can be between 27-1/4" (69.2 cm) and 29-7/16" (74.8 cm) for 30" single ovens.

**IMPORTANT:** Dimensional specifications are provided for planning purposes only. Do not make any cutouts based on this information. Refer to the Installation or Use & Care Guide before selecting cabinetry, verifying electrical/gas connections, making cutouts or beginning installation. All JennAir® appliances are appropriately UL, CUL or CSA approved.



**SINGLE WALL OVENS**

JJW2427I – 27" x 29-7/8" x 25-5/16"

JJW2430I, JJW3430I – 30" x 29-7/8" x 25-5/16"

**ELECTRICAL REQUIREMENTS**

If codes permit and a separate ground wire is used, it is recommended that a qualified electrical installer determine that the ground path and the wire gauge are in accordance with local codes.

Check with a qualified electrical installer if you are not sure the oven is properly grounded.

This oven must be connected to a grounded metal, permanent wiring system.

Be sure that the electrical connection and wire size are adequate and in conformance with the National Electrical Code, ANSI/NFPA 70-latest edition or CSA Standards C22.1-94, Canadian Electrical Code, Part 1 and C22.2 No. 0-M91-latest edition, and all local codes and ordinances.

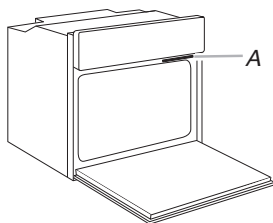
A copy of the above code standards can be obtained from:

National Fire Protection Association  
 1 Batterymarch Park  
 Quincy, MA 02169-7471  
 CSA International  
 8501 East Pleasant Valley Road  
 Cleveland, OH 44131-5575

**ELECTRICAL CONNECTION**

To properly install your oven, you must determine the type of electrical connection you will be using and follow the instructions provided for it here.

- Oven must be connected to the proper electrical voltage and frequency as specified on the model/serial/rating plate. The model/serial/rating plate is located under the control panel on single ovens. See the following illustration



A. Model/Serial/Rating Plate

- Models rated from 7.3 to 9.6 kW at 240 V (5.4 to 7.4 kW at 208 V) require a separate 40 A circuit. Models rated at 4.8 kW and below at 240 V (3.6 kW and below at 208 V) require a separate 20 A circuit.
- A circuit breaker is recommended.
- Connect directly to the circuit breaker box (or fused disconnect) through flexible, armored, or nonmetallic sheathed, copper cable (with grounding wire).
- Flexible conduit from the oven should be connected directly to the junction box.
- Fuse both sides of the line.
- Do not cut the conduit. The length of conduit provided is for serviceability of the oven.
- A UL listed or CSA approved conduit connector must be provided.
- If the house has aluminum wiring, follow the procedure below: Connect the aluminum wiring using special connectors and/or tools designed and UL listed for joining copper to aluminum. Follow the electrical connector manufacturer’s recommended procedure. Aluminum/copper connection must conform with local codes and industry accepted wiring practices.

For power requirements for models JJW2427I, JJW2430I and JJW3430I, refer to the following table.

	240 VAC	208 VAC
Model	kW	kW
JJW2427I	4.1	3.1
JJW2430I	4.1	3.1
JJW3430I	4.5	3.4

**IMPORTANT:** Dimensional specifications are provided for planning purposes only. Do not make any cutouts based on this information. Refer to the Installation or Use & Care Guide before selecting cabinetry, verifying electrical/gas connections, making cutouts or beginning installation. All JennAir® appliances are appropriately UL, CUL or CSA approved.

