

# JENN-AIR® RADIANT COOKTOP

## PRODUCT MODEL NUMBERS

JEC0530AD  
JEC0536AD

## ELECTRICAL

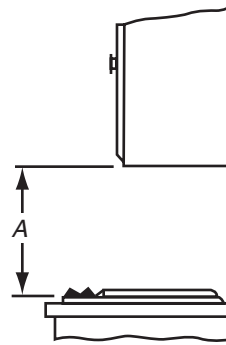
This is a 2-wire, 240-volt unit. Connect only to a 3-wire, 120/240-volt power supply; the neutral conductor is not required for the operation of the appliance. The potential at the power supply electrical connections shall be 150-volts-to-ground or less. The grounding (bare) wire is connected to the frame of the unit; connect it to a separate ground. The chart below recommends the minimum circuit protector and wire size if the appliance is the only unit on the circuit. If smaller sizes of wire are used, the unit efficiency will be reduced and a fire hazard may be created. It is advisable that the electrical wiring and hookup be accomplished by a competent electrician.

RECOMMENDED MINIMUM		
K. W. RATING ON SERIAL PLATE	CIRCUIT PROTECTION IN AMPRES	WIRE SIZE (AWG)
0 - 4.8	20	12
4.9 - 6.9	30	10
7.0 - 9.9	40	8
10.0 - 11.9	50	8
12.0 - 14.9	60	6

## INSTALLING CABINETS OVER YOUR COOKTOP

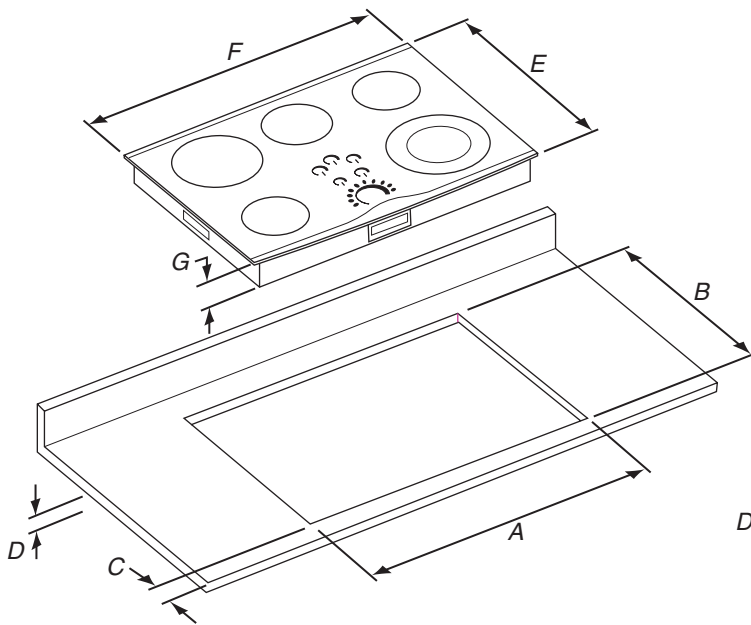
A = 30" (76.2 cm) minimum clearance between the top of the cooktop and the bottom of an uncovered wood or metal cabinet.

A = 24" (60.96 cm) minimum when bottom of wood or metal cabinet is covered by not less than ¼" (0.635 cm). FLAME RETARDANT millboard covered with not less than No. 28 MSG sheet steel, 0.015" (0.038 cm) stainless steel, 0.024" (0.061 cm) aluminum or copper.



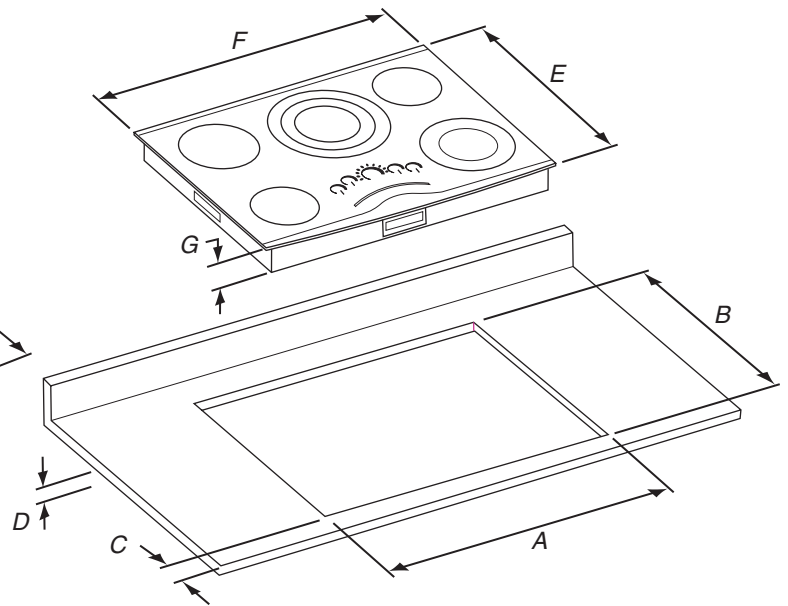
## PRODUCT AND CUTOUT DIMENSIONS

### JEC0530 four-element radiant cooktops



- A. 29<sup>1</sup>/<sub>16</sub>" +/- 1/16" (74.0 cm +/- 0.2 cm)
- B. 20<sup>3</sup>/<sub>8</sub>" +/- 1/16" (51.9 cm +/- 0.2 cm)
- C. 2<sup>1</sup>/<sub>8</sub>" (5.4 cm)
- D. 4<sup>1</sup>/<sub>4</sub>" min. clear (10.8 cm)
- E. 29<sup>15</sup>/<sub>16</sub>" (76.0 cm)
- F. 21<sup>1</sup>/<sub>2</sub>" (54.6 cm)
- G. 3<sup>5</sup>/<sub>8</sub>" (7.6 cm)

### JEC0536 five-element radiant cooktops



- A. 34<sup>9</sup>/<sub>16</sub>" +/- 1/16" (87.9 cm +/- 0.2 cm)
- B. 20<sup>3</sup>/<sub>8</sub>" +/- 1/16" (51.9 cm +/- 0.2 cm)
- C. 2<sup>1</sup>/<sub>8</sub>" (5.4 cm)
- D. 4<sup>1</sup>/<sub>4</sub>" min. clear (10.8 cm)
- E. 35<sup>5</sup>/<sub>16</sub>" (89.7 cm)
- F. 21<sup>1</sup>/<sub>2</sub>" (54.6 cm)
- G. 3<sup>5</sup>/<sub>8</sub>" (7.6 cm)