



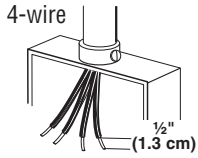
30" (76.2 CM) AND 36" (91.4 CM) ELECTRIC DOWNDRAFT COOKTOP

PRODUCT MODEL NUMBERS

JED3430W	JED4430W
JED3536W	JED4536W

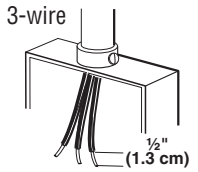
ELECTRICAL CONNECTION OPTIONS

If your home has: **And you will be connecting to:** **Go to section:**



A fused disconnect or circuit breaker box

4-Wire Cable from Power Supply



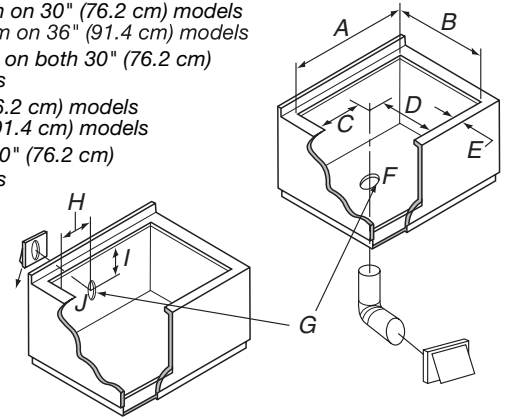
A fused disconnect or circuit breaker box

3-Wire Cable from Power Supply

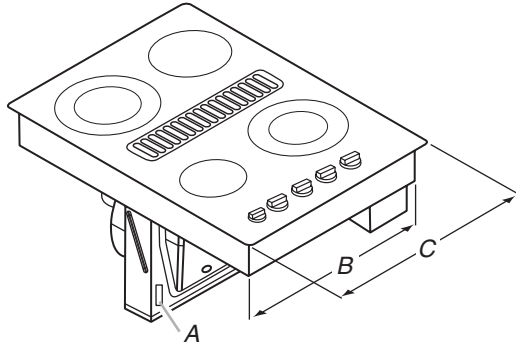
PRODUCT DIMENSIONS

CUTOUT DIMENSIONS

- A. 28 ⁷/₈" (73.4 cm) maximum on 30" (76.2 cm) models
34 ¹/₂" (87.6 cm) maximum on 36" (91.4 cm) models
- B. 21 ¹/₈" (53.7 cm) maximum on both 30" (76.2 cm) and 36" (91.4 cm) models
- C. 8 ⁵/₈" (21.9 cm) on 30" (76.2 cm) models
15 ⁷/₁₆" (39.2 cm) on 36" (91.4 cm) models
- D. 6 ⁵/₁₆" (16.0 cm) on both 30" (76.2 cm) and 36" (91.4 cm) models
- E. 2" (5.1 cm) minimum space to front edge of cooktop
- F. Floor exhaust option
- G. 6 ¹/₈" (15.6 cm) for 6" vent system
- H. 8 ⁵/₈" (21.9 cm) on 30" (76.2 cm) models
15 ⁷/₁₆" (39.2 cm) on 36" (91.4 cm) models
- I. 16" (40.6 cm) on both 30" (76.2 cm) and 36" (91.4 cm) models
- J. Wall exhaust option

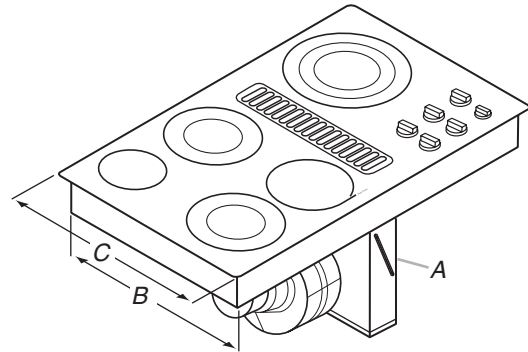


30" (76.2 cm) Cooktop - for standard and electronic models

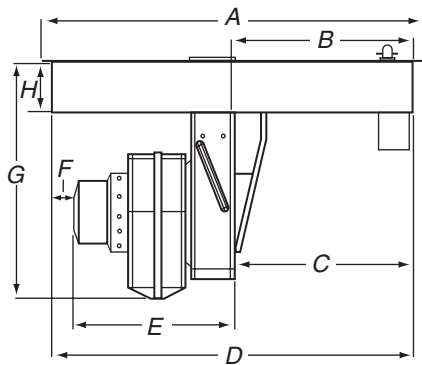


- A. Model/serial rating plate location
- B. 20 ⁹/₁₆" (52.3 cm)
- C. 22" (55.9 cm)

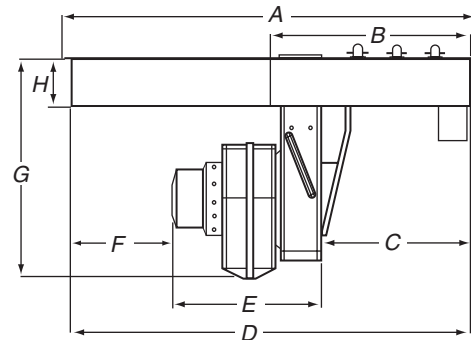
36" (91.4 cm) Cooktop - for standard and electronic models



- A. Model/serial rating plate location
- B. 20 ⁹/₁₆" (52.3 cm)
- C. 22" (55.9 cm)

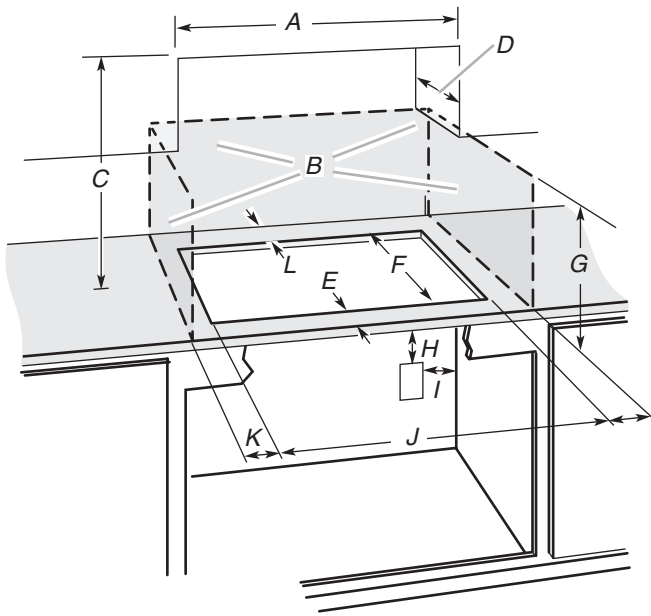


- A. 29 ³/₄" (75.6 cm)
- B. 12 ¹/₂" (31.8 cm) centerline of product to edge of cooktop base
- C. 12 ¹/₂" (31.8 cm)
- D. 28 ⁷/₈" (73.3 cm)
- E. 12 ¹/₂" (31.8 cm)
- F. 2" (5.1 cm) recommended minimum cabinet to motor clearance
- G. 16 ³/₈" (41.6 cm)
- H. 4 ⁵/₈" (11.8 cm)



- A. 35 ¹/₃₂" (89.8 cm)
- B. 12 ⁷/₈" (32.8 cm) centerline of product to edge of cooktop base
- C. 12 ⁷/₈" (32.8 cm)
- D. 34 ³/₈" (87.3 cm)
- E. 12 ¹/₂" (31.8 cm)
- F. 2" (5.1 cm) recommended minimum cabinet to motor clearance
- G. 16 ³/₈" (41.6 cm)
- H. 4 ⁵/₈" (11.8 cm)

CABINET DIMENSIONS



Cabinet opening dimensions shown are for 25" (64 cm) countertop depth, 24" (61 cm) base cabinet depth and 36" (91.4 cm) countertop height. If installing a range hood or microwave hood combination above the range, follow the range hood or microwave hood combination installation instructions for dimensional clearances above the cooktop surface. A freestanding range may be installed next to combustible walls with zero clearance.

- A. 30" (76.2 cm) on 30" (76.2 cm) models
36" (91.4 cm) on 36" (91.4 cm) models
- B. Combustible area above countertop (shown by dashed box above)
- C. 30" (76.2 cm) minimum clearance between top of cooktop platform and bottom of uncovered wood or metal cabinet (24" [61 cm] minimum clearance if bottom of wood or metal cabinet is covered by not less than ¼" [0.6 cm] flame retardant millboard covered with not less than No. 28 MSG sheet steel, 0.015" [0.04 cm] stainless steel, or 0.024" [0.06 cm] aluminum or 0.020" [0.05 cm] copper)
- D. 13" (33 cm) recommended upper cabinet depth
- E. 2" (5.1 cm)
- F. 21 1/8" (73.4 cm)
- G. 18" (45.7 cm) minimum clearance from upper cabinet to countertop within minimum horizontal clearances to cooktop
- H. Junction box or outlet; 12" (30.5 cm) minimum from bottom of countertop
- I. Junction box or outlet; 10" (25.4 cm) from right-hand side of cabinet
- J. 28 7/8" (73.4 cm) on 30" (76.2 cm) models
34 1/2" (87.6 cm) on 36" (91.4 cm) models
- K. 2 1/2" (6.4 cm) minimum distance to nearest left and right side combustible surface above cooktop
- L. 1 1/2" (3.8 cm) minimum clearance between back wall and countertop

NOTE: After making the countertop cutout, some installations may require notching down the base cabinet side walls to clear the cooktop base. To avoid this modification, use a base cabinet with sidewalls wider than the cutout.

- A minimum side clearance of 6" (15.2 cm) is recommended between side of cooktop and side wall for maximum ventilation performance.
- A minimum clearance of 2" (5.1 cm) is recommended between the motor/blower and cabinet for proper cooling. A 6" (15.2 cm) clearance is recommended for servicing access.