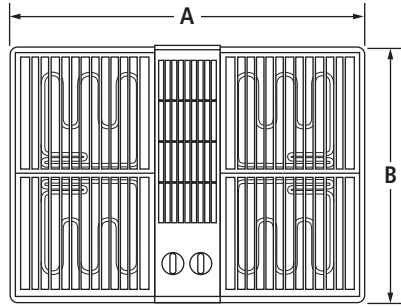


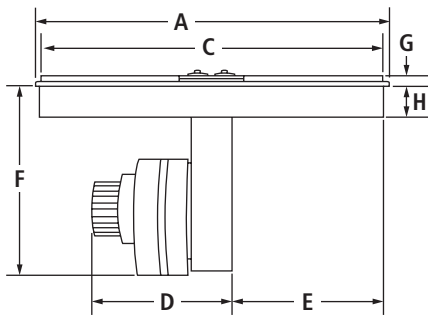
DESIGNER LINE LANAI™ OUTDOOR ELECTRIC DOWNDRAFT GRILL

JED7430AA – 29⁷/₈" x 15¹/₈" x 21¹/₂"

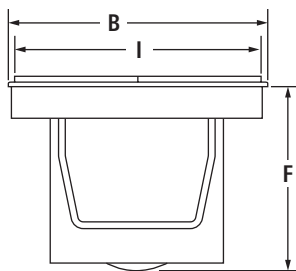
PRODUCT DIMENSIONS



TOP VIEW



FRONT VIEW



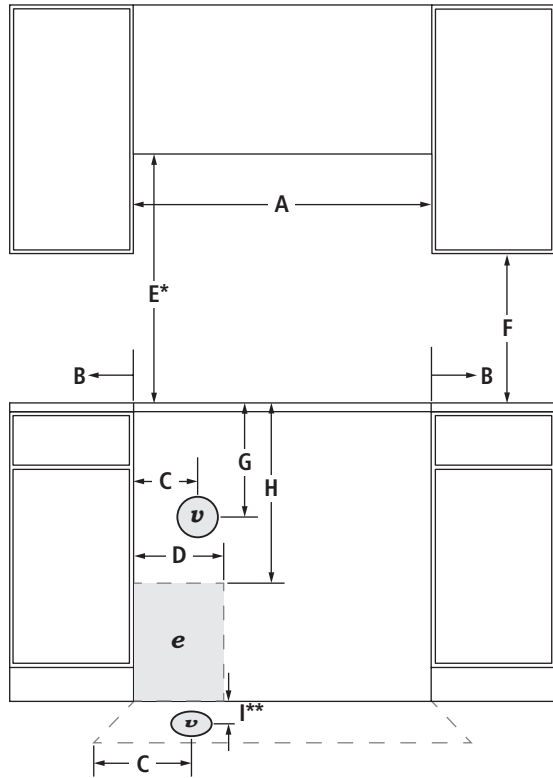
SIDE VIEW

MODEL #		JED7430AA	
		in	cm
A	Overall width	29 ⁷ / ₈	75.9
B	Overall depth	21 ¹ / ₂	54.6
C	Width of recessed cooktop	28 ⁵ / ₈	72.7
D	Width of blower motor assembly	14	35.7
E	Width from plenum to recessed cooktop	12	30.3
F	Height from blower motor to countertop	15 ¹ / ₈	38.5
G	Height with grates	1	2.5
H	Height of recessed cooktop	3	7.6
I	Depth of recessed cooktop	20 ⁵ / ₈	52.4

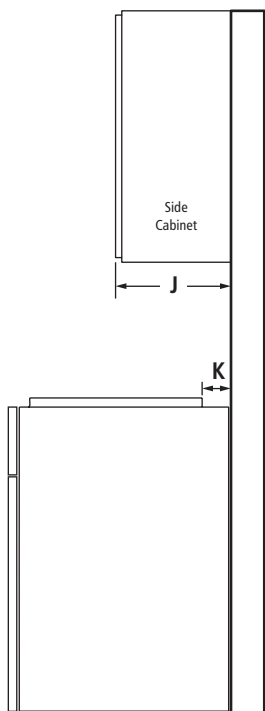
DESIGNER LINE LANAI™ OUTDOOR ELECTRIC DOWNDRAFT GRILL

JED7430AA – 29⁷/₈" x 15¹/₈" x 21¹/₂"

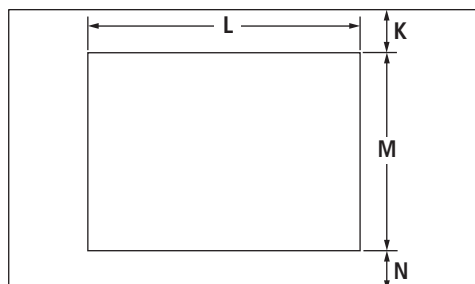
OPENING/CLEARANCE DIMENSIONS



FRONT VIEW



SIDE VIEW



TOP VIEW – CUTOUT

MODEL #		JED7430AA	
		in	cm
A	Width of combustable area above cooking surface (min.)	30	76.2
B	Width from grill to fixed wall or other combustable material (min.)	6	15.2
C	Width to center of vent opening option	9 ³ / ₈	23.8
D	Width of recommended electrical installation area	12	30.3
E*	Height to bottom of uncovered wood or metal cabinet above cooking surface (min.)	30	76.2
F	Height to bottom of uncovered wood or metal cabinet (min.)	18	45.7
G	Height to center of vent opening option	13	33.0
H	Height to top edge of recommended electrical installation area (min.)	15 ¹ / ₈	38.5
I**	Depth to center of vent opening option	15 ¹ / ₂	39.5
J	Depth of upper cabinet (recommended)	13	33.0
K	Depth from cutout to wall (min.)	3 ⁴ / ₈	1.9
L	Width of cutout	28 ⁷ / ₈	73.3
M	Depth of cutout	21	53.2
N	Depth from cutout to front of countertop (min.)	1 ⁷ / ₈	4.8
e	Recommended electrical access location		
v	Recommended venting location – see page 3 for ducting information		

*Dimension can be reduced by 6" (15.2 cm) when bottom of wood or metal cabinet is covered by not less than 1/4" (0.6 cm) flame retardant millboard covered with not less than No. 28 MSG sheet metal, 0.015" (0.4 mm) stainless steel, 0.024" (0.6 mm) aluminum or 0.020" (0.5 mm) copper.

**Based on installation in a 24" (61.0 cm) base cabinet.

ELECTRICAL REQUIREMENTS

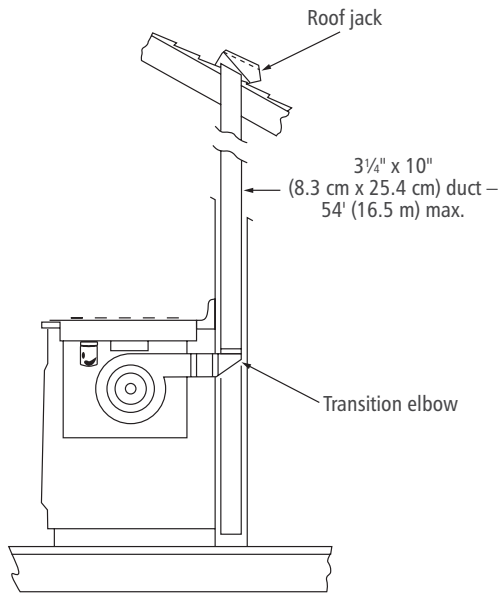
120 volt, 60 Hz, AC only, 30-amp fused, grounded circuit is required.

LOCATION REQUIREMENTS

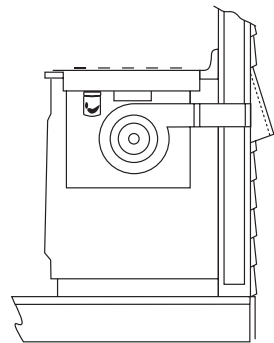
- To ensure cooktop base clearance, cabinet side walls need to be wider than the cutout.
- A minimum clearance of 2" (5.1 cm) is recommended between the blower motor and cabinet for proper cooling. A 6" (15.2 cm) clearance is recommended for servicing access.
- For removal of the supplied grease container(s), a minimum clearance of 6¹/₄" (15.9 cm) is required.
- An under counter built-in oven cannot be installed under this cooktop.

DOWNDRAFT COOKTOP DUCTING ARRANGEMENTS

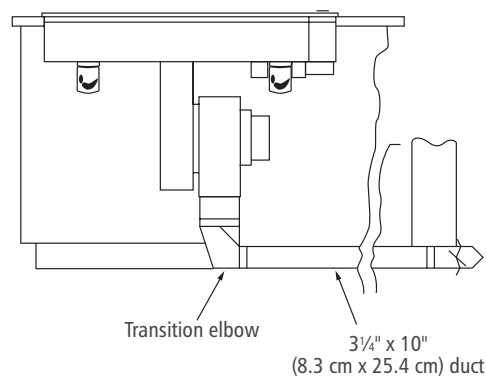
DUCTING CONFIGURATIONS



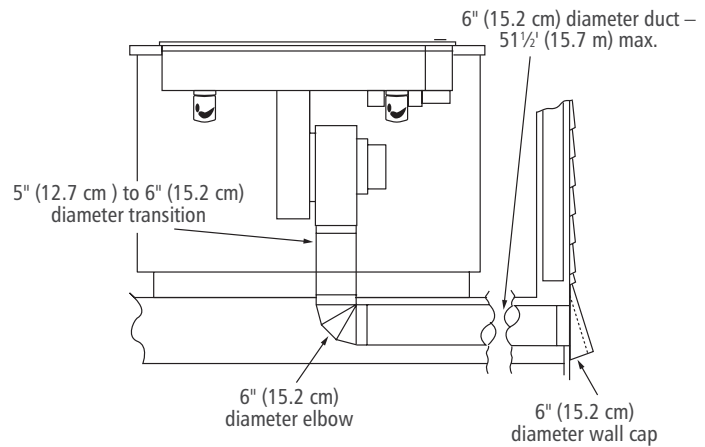
REAR DUCTING IN WALL TO ROOF



REAR DUCTING THROUGH WALL TO OUTSIDE



SIDE DUCTING IN TOE KICK TO OUTSIDE



THROUGH FLOOR BETWEEN JOISTS TO OUTSIDE

DUCTING REQUIREMENTS

COOKTOP	DUCT LENGTH	DUCT SIZE
Gas	10' (3.0 m) or less*	5" (12.7 cm) diameter*
	Between 10' (3.0 m) and 60' (18.3 m)	6" (15.2 cm) diameter 3 1/4" x 10" (8.3 cm x 25.4 cm)
Electric	10' (3.0 m) or less**	5" (12.7 cm) diameter**
	Between 10' (3.0 m) and 60' (18.3 m)	6" (15.2 cm) diameter 3 1/4" x 10" (8.3 cm x 25.4 cm)

*Gas cooktops must use 5" (12.7 cm) diameter for runs of 10' (3.0 m) or less.

**May be used to vent straight out the back of the cooktop and directly through the wall.

CALCULATING MAXIMUM DUCTING LENGTH

- Maximum ducting length is 60' (18.3 m).
- Each 90° elbow equals 5' (1.5 m) duct.
- Use no more than three 90° elbows.
- Flexible metal vent is not recommended.
- Do not install two elbows together.

NOTES:

- For ducting runs up to 30' (9.1 m), install cooktop as shipped.
- For ducting runs of 31' (9.4 m) to 60' (15.2 cm), remove the restricter ring on the blower inlet housing.
- For altitudes above 4500' (1272.0 m), reduce recommended vent run by 20% for best performance.