

# JENN-AIR®

## LP GAS AND HIGH ALTITUDE CONVERSION INSTRUCTIONS

FOR JGC1530B AND JGC1536B MODEL SERIES

## INSTRUCTIONS DE CONVERSION - GAZ PROPANE ET ALTITUDE ÉLEVÉE

POUR SÉRIES DE MODÈLES JGC1530B ET JGC1536B

### Table of Contents/Table des matières

<b>COOKTOP SAFETY</b> .....	<b>1</b>	<b>SÉCURITÉ DE LA TABLE DE CUISSON</b> .....	<b>10</b>
Tools and Parts .....	3	Outillage et pièces.....	11
Convert from Natural Gas to LP Gas.....	3	Conversion du gaz naturel au propane.....	11
Convert from LP Gas to Natural Gas.....	6	Conversion pour l'alimentation du propane au gaz naturel .....	14
Lighting the Electronic Igniters .....	8	Allumeurs électroniques - allumage.....	16
Low Flame Height Adjustment.....	8	Réglage de la taille des flammes .....	16

## COOKTOP SAFETY

### Your safety and the safety of others are very important.

We have provided many important safety messages in this manual and on your appliance. Always read and obey all safety messages.



This is the safety alert symbol.

This symbol alerts you to potential hazards that can kill or hurt you and others.

All safety messages will follow the safety alert symbol and either the word "DANGER" or "WARNING."

These words mean:

**⚠ DANGER**

**You can be killed or seriously injured if you don't immediately follow instructions.**

**⚠ WARNING**

**You can be killed or seriously injured if you don't follow instructions.**

All safety messages will tell you what the potential hazard is, tell you how to reduce the chance of injury, and tell you what can happen if the instructions are not followed.

#### IMPORTANT:

**Installer:** Leave installation instructions with the homeowner.

**Homeowner:** Keep installation instructions for future reference.

#### IMPORTANT :

**Installateur :** Remettre les instructions d'installation au propriétaire.

**Propriétaire :** Conserver les instructions d'installation pour référence ultérieure.

**WARNING:** If the information in this manual is not followed exactly, a fire or explosion may result causing property damage, personal injury or death.

- Do not store or use gasoline or other flammable vapors and liquids in the vicinity of this or any other appliance.
- **WHAT TO DO IF YOU SMELL GAS:**
  - Do not try to light any appliance.
  - Do not touch any electrical switch.
  - Do not use any phone in your building.
  - Immediately call your gas supplier from a neighbor's phone. Follow the gas supplier's instructions.
  - If you cannot reach your gas supplier, call the fire department.
- Installation and service must be performed by a qualified installer, service agency or the gas supplier.

**WARNING:** Gas leaks cannot always be detected by smell.

Gas suppliers recommend that you use a gas detector approved by UL or CSA.

For more information, contact your gas supplier.

If a gas leak is detected, follow the "What to do if you smell gas" instructions.

In the State of Massachusetts, the following installation instructions apply:

- Installations and repairs must be performed by a qualified or licensed contractor, plumber, or gasfitter qualified or licensed by the State of Massachusetts.
- If using a ball valve, it shall be a T-handle type.
- A flexible gas connector, when used, must not exceed 3 feet.

## Tools and Parts

Gather the required tools and parts necessary for correct LP gas conversion.

### Tools needed

- Flat-blade screwdriver
- $\frac{3}{32}$ " (#0 [2.0 mm]) flat-blade screwdriver (screwdriver shaft must be a minimum of 2 $\frac{1}{2}$ " [6.4 cm] long)
- Adjustable wrench
- 7.0 mm nut driver
- 7.0 mm wrench

### Parts supplied

- LP orifice package (W10686634)
- Conversion label (W10590570)

## High Altitude Conversion

To convert the cooktop for elevations above 6,560 ft (1999.5 m), order a High Altitude Conversion Kit.

- Part Number W10686630 - LP high altitude
- Part Number W10686629 - Natural gas high altitude

To order, see the "Assistance or Service" section of the Use and Care Guide.

**IMPORTANT:** Gas conversions from Natural gas to LP gas must be done by a qualified installer. Before proceeding with conversion, shut off the gas supply to the cooktop prior to disconnecting the electrical power.

## WARNING

**This conversion kit shall be installed by a qualified service agency in accordance with the manufacturer's instructions and all applicable codes and requirements of the authority having jurisdiction. If the information in these instructions is not followed exactly, a fire, explosion or production of carbon monoxide may result causing property damage, personal injury or loss of life. The qualified service agency is responsible for the proper installation of this kit. The installation is not proper and complete until the operation of the converted appliance is checked as specified in the manufacturer's instructions supplied with this kit.**

## ⚠ WARNING



### Explosion Hazard

Use a new CSA International approved gas supply line.

Install a shut-off valve.

Securely tighten all gas connections.

If connected to LP, have a qualified person make sure gas pressure does not exceed 14" (36 cm) water column.

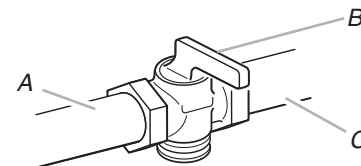
Examples of a qualified person include:

licensed heating personnel,  
authorized gas company personnel, and  
authorized service personnel.

Failure to do so can result in death, explosion, or fire.

## Convert from Natural Gas to LP Gas

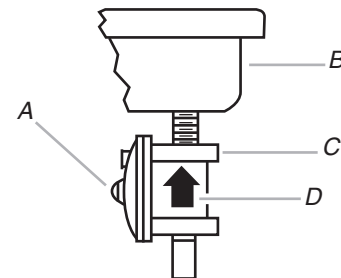
1. Turn manual shutoff valve to the closed position.



- A. To cooktop
- B. Shutoff valve (closed position)
- C. Gas supply line

2. Unplug cooktop or disconnect power.

## To Convert Gas Pressure Regulator



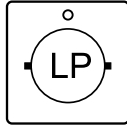
- A. Access cap
- B. Rear of cooktop
- C. Gas pressure regulator
- D. Gas flow

3. Determine the type of regulator you have:

**Style 1:** The cap has a slot and "NAT" printed on it.

Remove access cap by using a flat-blade screwdriver or coin, turning the access cap counterclockwise.

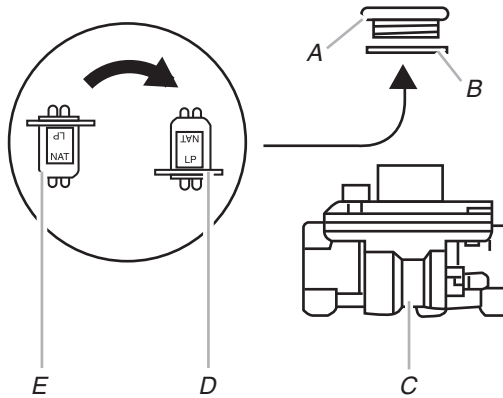
The gas pressure regulator has 2 settings that are stamped on either side of the cap. Turn the cap and reinstall into regulator with the stamp "LP" visible from the outside of the regulator.



**Style 2:** The cap does not have a slot and requires a wrench to be removed.

Remove the access cap by using a wrench, turning the access cap counterclockwise.

Remove spring retainer from the cap by pushing against the flat side of the spring retainer. Look at the spring retainer to locate the "NAT" or "LP" position. Turn over the spring retainer so the "LP" is showing on the bottom. Snap the spring retainer back into the cap. Reinstall the cap onto the regulator.



A. Access cap  
B. Gasket  
C. Gas pressure regulator  
D. LP position  
E. NAT position

4. Test the gas pressure regulator and gas supply line.

The regulator must be checked at a minimum 1" (2.5 cm) water column above the set pressure. The inlet pressure to the regulator should be as follows for operation and checking the regulator setting:

**LP Gas:**

Minimum pressure 10" (25.4 cm) W.C.P.  
Supply pressure 14" (35.5 cm) W.C.P.

**Gas Supply Pressure Testing**

**Line pressure testing above ½ psi gauge (14" WCP)**

The cooktop and its individual shutoff valve must be disconnected from the gas supply piping system during any pressure testing of that system at test pressures in excess of ½ psi (3.5 kPa).

**Line pressure testing at ½ psi gauge (14" WCP) or lower**

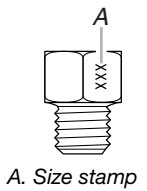
The cooktop must be isolated from the gas supply piping system by closing its individual manual shutoff valve during any pressure testing of the gas supply piping system at test pressures equal to or less than ½ psi (3.5 kPa).

5. If they are installed, remove the burner grates.

Use the following chart to match the correct gas orifice spud with the burner location and model being converted.

**LP Gas Orifice Spud Chart**

Burner Rating	Stamp (A)	Size
1,500 BTU*	41	0.41 mm
5,000 BTU	66	0.66 mm
9,050 BTU	88	0.88 mm
12,000 BTU	102	1.02 mm
16,000 BTU	112	1.12 mm



\*Simmer orifice for the dual stack (center) burner.

**Burner Models**

Model No.	Right front	Right rear	Center	Left front	Left rear
JGC1530BS	9,050 BTU	5,000 BTU	16,000 BTU	12,000 BTU	12,000 BTU
JGC1536BS	12,000 BTU	5,000 BTU	16,000 BTU	12,000 BTU	12,000 BTU

**High Altitude Conversions**

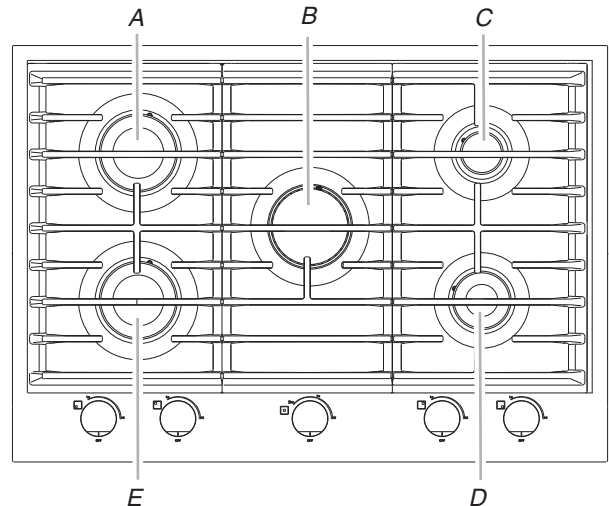
**IMPORTANT:** You must convert LP gas with LP gas High Altitude Kit Part Number W10686630 or Natural gas with Natural gas High Altitude Kit Part Number W10686629. If you need to convert LP gas to Natural gas high altitude or Natural gas to LP gas high altitude, you must convert the pressure regulator. For this, follow steps 1-3 of the necessary conversion.

**LP Gas Orifice Spud Chart for High Altitude Conversion**

See chart in the "LP Gas High Altitude Conversion Kit."

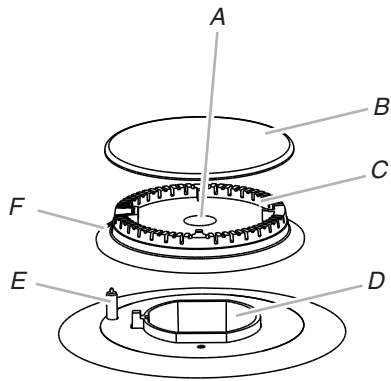
**Burner locations**

**30" (76.2 cm) and 36" (91.4 cm) Models**



A. Left rear burner  
B. Center burner  
C. Right rear burner  
D. Right front burner  
E. Left front burner

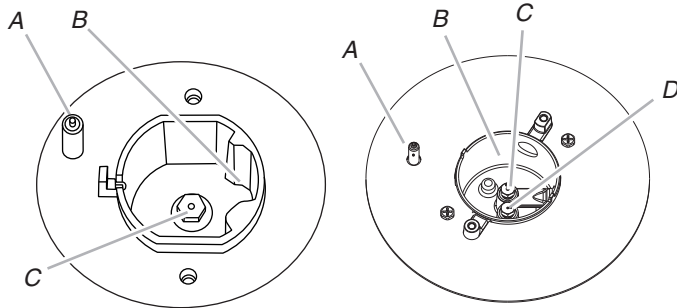
6. Remove all burner caps and burner bases.



A. Gas tube opening  
B. Burner cap  
C. Burner base  
D. Orifice holder  
E. Igniter electrode  
F. Burner base notch or hole

7. To Convert Burners:

- Insert 7.0 mm nut driver down onto the gas orifice spud (C) and remove by turning it counterclockwise and lifting out.
- Set gas orifice spud aside.
- Replace with correct LP gas orifice spud. See the LP Gas Orifice Spud Chart.



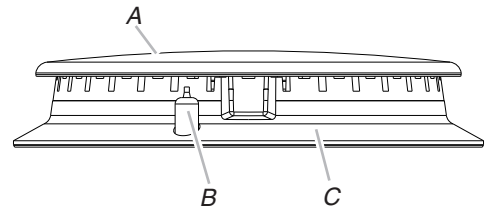
A. Igniter electrode  
B. Orifice holder  
C. Orifice spud

A. Igniter electrode  
B. Orifice holder  
C. Orifice spud  
D. Orifice simmer

**IMPORTANT:** Place Natural gas orifice spuds in plastic parts bag for future use and keep with package containing literature.

8. Replace burner bases and burner caps.

**IMPORTANT:** Be sure that the electrode aligns with the notch or hole in the burner base. The igniter electrode is ceramic and could break during installation of the burner base.



A. Burner cap  
B. Electrode  
C. Burner base

9. Open shutoff valve in the gas supply line. The valve is open when the handle is parallel to the gas pipe.
10. Once you have completed converting all of the cooktop burners, test the cooktop for leaks by brushing on an approved noncorrosive leak-detection solution. If bubbles appear, a leak is indicated. Correct any leaks found.

## ⚠ WARNING



### Electrical Shock Hazard

**Plug into a grounded 3 prong outlet.**

**Do not remove ground prong.**

**Do not use an adapter.**

**Do not use an extension cord.**

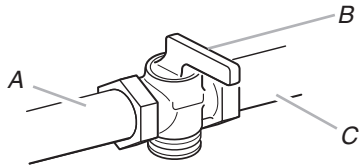
**Failure to follow these instructions can result in death, fire, or electrical shock.**

11. Plug in cooktop or reconnect power.

12. Adjust valve according to "Flame Height Adjustment" section.

## Convert from LP Gas to Natural Gas

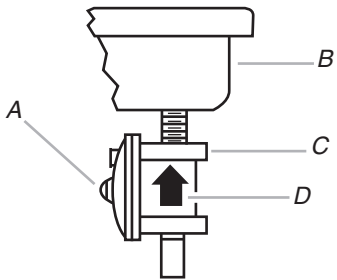
1. Turn manual shutoff valve to the closed position.



A. To cooktop  
B. Shutoff valve (closed position)  
C. Gas supply line

2. Unplug cooktop or disconnect power.

### To Convert Gas Pressure Regulator



A. Access cap  
B. Rear of cooktop  
C. Gas pressure regulator  
D. Gas flow

3. Determine the type of regulator you have:

**Style 1:** The cap has a slot and "LP" printed on it.

Remove access cap by using a flat-blade screwdriver or coin, turning the access cap counterclockwise.

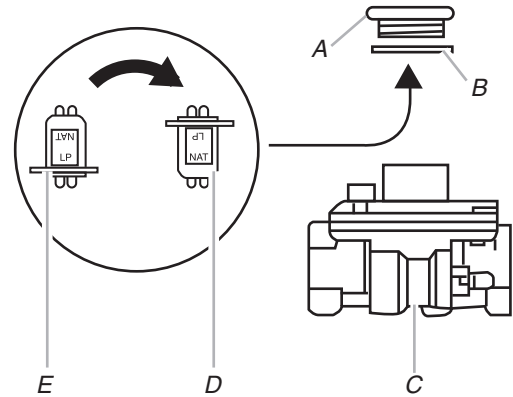
The gas pressure regulator has 2 settings which are stamped on either side of the cap. Turn the cap and reinstall into regulator with the stamp "NAT" visible from the outside of the regulator.



**Style 2:** The cap does not have a slot and requires a wrench to be removed.

Remove the access cap by using a wrench, turning the access cap counterclockwise.

Remove spring retainer from the cap by pushing against the flat side of the spring retainer. Look at the spring retainer to locate the "LP" or "NAT" position. Turn over the spring retainer so the "NAT" is showing on the bottom. Snap the spring retainer back into the cap. Reinstall the cap onto the regulator.



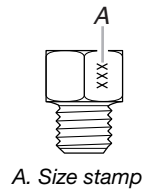
A. Access cap  
B. Gasket  
C. Gas pressure regulator  
D. NAT position  
E. LP position

4. If they are installed, remove the burner grates.

Use the following chart to match the correct gas orifice spud with the burner location and model being converted.

### Natural Gas Orifice Spud Chart

Burner Rating	Stamp (A)	Size
1,300 BTU*	53	0.53 mm
6,000 BTU	110	1.10 mm
9,050 BTU	132	1.32 mm
12,000 BTU	155	1.55 mm
15,000 BTU	170	1.70 mm
20,000 BTU	195	1.95 mm



\*Simmer orifice for the dual stack (center) burner.

### Burner Models

Model No.	Right front	Right rear	Center	Left front	Left rear
JGC1530BS	9,050 BTU	6,000 BTU	20,000 BTU	12,000 BTU	12,000 BTU
JGC1536BS	12,000 BTU	6,000 BTU	20,000 BTU	12,000 BTU	15,000 BTU

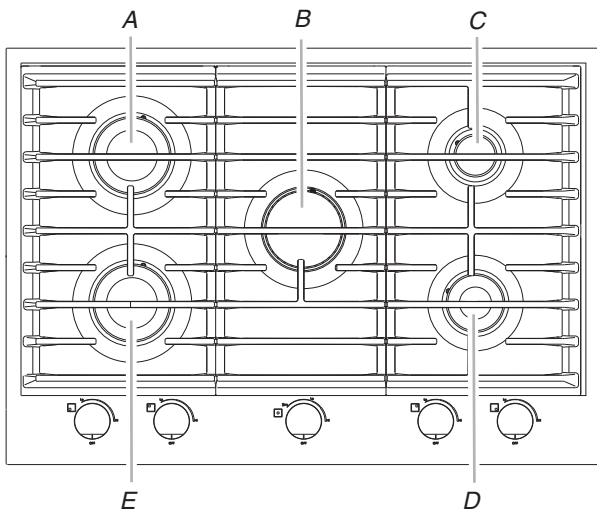
## High Altitude Conversions

**IMPORTANT:** You must convert LP gas with LP gas high altitude kit Part Number W10686630 or Natural gas with Natural gas high altitude kit Part Number W10686629. If you need to convert LP gas to Natural gas high altitude or Natural gas to LP gas high altitude, you must convert the pressure regulator. For this, follow steps 1-3 of the necessary conversion.

**Natural Gas Orifice Spud Chart for High Altitude Conversion**  
See chart in the "Natural Gas High Altitude Conversion Kit."

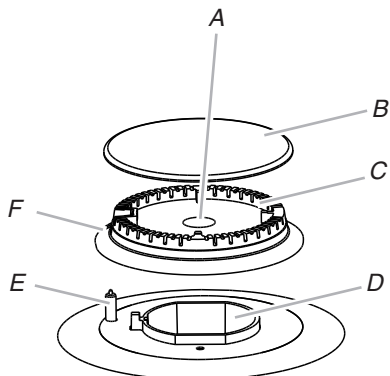
### Burner locations

30" (76.2 cm) and 36" (91.4 cm) Models



- A. Left rear burner      D. Right front burner  
B. Center burner      E. Left front burner  
C. Right rear burner

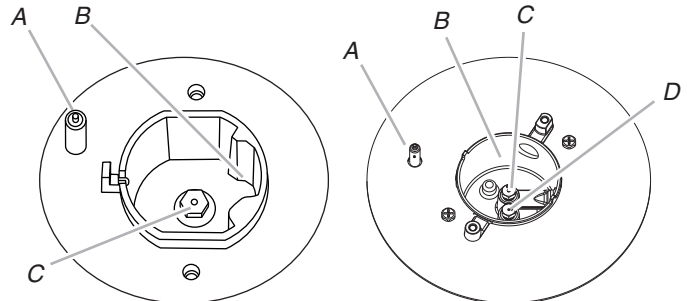
5. Remove all burner caps and burner bases. If necessary, remove the burner ring.



- A. Gas tube opening      D. Orifice holder  
B. Burner cap      E. Igniter electrode  
C. Burner base      F. Burner base notch or hole

6. To Convert Burners:

- Insert 7.0 mm nut driver down onto the gas orifice spud and remove by turning it counterclockwise and lifting out.
- Set gas orifice spud aside.
- Replace with correct Natural gas orifice spud. See the Natural Gas Orifice Spud Chart.

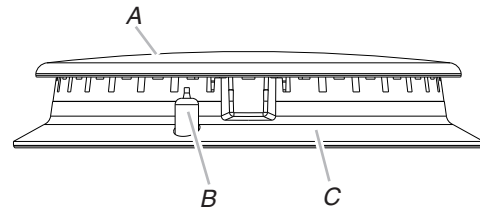


- A. Igniter electrode  
B. Orifice holder  
C. Orifice spud

- A. Igniter electrode  
B. Orifice holder  
C. Orifice spud  
D. Orifice simmer

7. Place LP gas orifice spuds in plastic parts bag for future use and keep with package containing literature.  
8. Replace burner bases and burner caps.

**IMPORTANT:** Be sure that the electrode aligns with the notch or hole in the burner base. The igniter electrode is ceramic and could break during installation of the burner base.



- A. Burner cap  
B. Electrode  
C. Burner base

9. Open shutoff valve in the gas supply line. The valve is open when the handle is parallel to the gas pipe.  
10. Once you have completed converting all of the cooktop burners, test the cooktop for leaks by brushing on an approved noncorrosive leak-detection solution. If bubbles appear, a leak is indicated. Correct any leaks found.

## ⚠ WARNING



### Electrical Shock Hazard

Plug into a grounded 3 prong outlet.

Do not remove ground prong.

Do not use an adapter.

Do not use an extension cord.

Failure to follow these instructions can result in death, fire, or electrical shock.

11. Plug in cooktop or reconnect power.

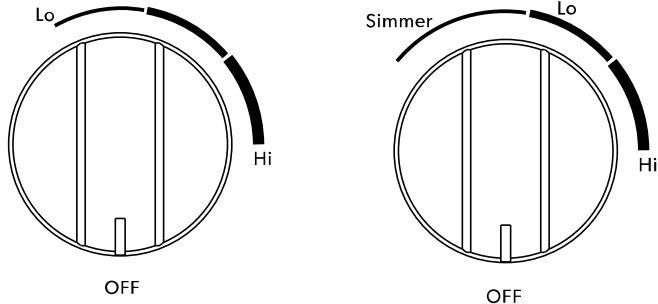
12. Adjust valve according to "Flame Height Adjustment" section.

## Lighting the Electronic Igniters

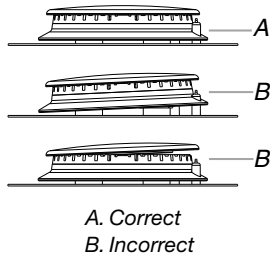
The cooktop burners use electronic igniters in place of standing pilots. When the cooktop control knob is pushed in and turned to the HI position, the system creates a spark to light the burner. This sparking continues until a flame is present.

### To Check Operation of the Cooktop Burners:

1. Push in and turn knobs to the HI position. The cooktop burner flame should light within 4 seconds.



2. If burners do not light properly, turn the control knob to the Off position. Make sure the burner cap is in the proper position.



3. Check that the power supply cord is plugged in and circuit breaker has been tripped or household fuse has not blown.
4. Check that the shutoff valve is in the ON position.
5. Check burner operation again.

If one or all of the burners do not light at this point, see "Assistance or Service" section in the Use and Care Guide.

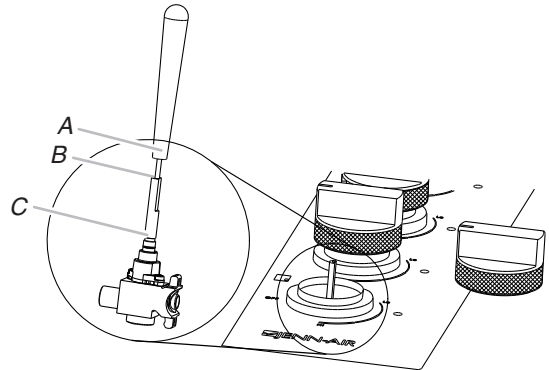
## Low Flame Height Adjustment

Each burner flame has been factory set to the lowest position available to provide reliable and constant reignition of the burner. However, each burner can be adjusted.

### To Adjust:

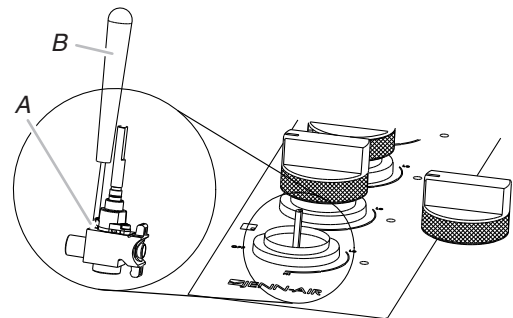
The flame can be adjusted using the adjustment screws underneath the control knob.

1. Set the burner flame to LO.
2. Remove the control knob.
3. For single valves, hold the knob stem with a pair of pliers. Use a  $\frac{3}{32}$ " (#0 [2.0 mm]) flat-blade screwdriver to turn the screw located within the shaft of the control knob stem until the flame is the proper size.



- A.  $\frac{3}{32}$ " (2.0 mm) - #0 flat-blade screwdriver (shaft must be a minimum of 2½" [6.4 cm] long)  
B. Control knob stem opening  
C. Adjustment screw location

4. For the center burner dual valve, use a  $\frac{3}{32}$ " (#0 [2.0 mm]) flat-blade screwdriver to turn the screw located on the bottom, upper surface of the valve until the flame is the proper size.



- A. Adjustment screw location  
B.  $\frac{3}{32}$ " (2.0 mm) - #0 flat-blade screwdriver (shaft must be a minimum of 2½" [6.4 cm] long)

### For LP gas conversion:

Completely tighten (clockwise) screw "C" to set the minimum flame height.

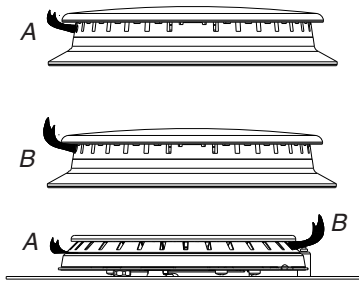
### For Natural gas conversion:

Tighten (clockwise) screw "C" to reduce flame height. Loosen (counterclockwise) screw to increase flame height.

5. Replace the control knob.
6. Repeat steps 1-5 for each burner.



7. Check burner flame(s) for proper size and shape. The cooktop “low” burner flame should be a steady blue flame approximately  $\frac{1}{4}$ " (0.64 cm) high.



A. Low flame  
B. High flame

8. Completely fill out the conversion label and attach label to bottom of the cooktop next to the rating tag. Do not cover the rating tag with the conversion label.
9. Save the orifices removed from the cooktop along with these instructions for future reference.

Read “Sealed Surface Burners” section in the Use and Care Guide supplied with your cooktop.

# SÉCURITÉ DE LA TABLE DE CUISSON

## Votre sécurité et celle des autres est très importante.

Nous donnons de nombreux messages de sécurité importants dans ce manuel et sur votre appareil ménager. Assurez-vous de toujours lire tous les messages de sécurité et de vous y conformer.



Voici le symbole d'alerte de sécurité.

Ce symbole d'alerte de sécurité vous signale les dangers potentiels de décès et de blessures graves à vous et à d'autres.

Tous les messages de sécurité suivront le symbole d'alerte de sécurité et le mot "DANGER" ou "AVERTISSEMENT". Ces mots signifient :

**⚠ DANGER**

Risque possible de décès ou de blessure grave si vous ne suivez pas immédiatement les instructions.

**⚠ AVERTISSEMENT**

Risque possible de décès ou de blessure grave si vous ne suivez pas les instructions.

Tous les messages de sécurité vous diront quel est le danger potentiel et vous disent comment réduire le risque de blessure et ce qui peut se produire en cas de non-respect des instructions.

**AVERTISSEMENT : Si les renseignements dans ce manuel ne sont pas exactement observés, un incendie ou une explosion peut survenir, causant des dommages au produit, des blessures ou un décès.**

- **Ne pas entreposer ni utiliser de l'essence ou d'autres vapeurs ou liquides inflammables à proximité de cet appareil ou de tout autre appareil électroménager.**
- **QUE FAIRE DANS LE CAS D'UNE ODEUR DE GAZ :**
  - **Ne pas tenter d'allumer un appareil.**
  - **Ne pas toucher à un commutateur électrique.**
  - **Ne pas utiliser le téléphone se trouvant sur les lieux.**
  - **Appeler immédiatement le fournisseur de gaz à partir du téléphone d'un voisin. Suivre ses instructions.**
  - **À défaut de joindre votre fournisseur de gaz, appeler les pompiers.**
- **L'installation et l'entretien doivent être effectués par un installateur qualifié, une agence de service ou le fournisseur de gaz.**

**AVERTISSEMENT :** L'odorat ne permet pas toujours la détection d'une fuite de gaz.

Les distributeurs de gaz recommandent l'emploi d'un détecteur de gaz (homologation UL ou CSA).

Pour d'autre information, contacter le fournisseur de gaz local.

En cas de détection d'une fuite de gaz, exécuter les instructions "Que faire dans le cas d'une odeur de gaz".

Dans l'État du Massachusetts, les instructions d'installation suivantes sont applicables :

- Les travaux d'installation et réparation doivent être exécutés par un plombier ou tuyauteur qualifié ou licencié, ou par le personnel qualifié d'une entreprise licenciée par l'État du Massachusetts.
- Si une vanne à boisseau sphérique est utilisée, elle doit comporter une manette "T".
- Si un conduit de raccordement flexible est utilisé, sa longueur ne doit pas dépasser 3 pi.

## Outillage et pièces

Rassembler les outils et pièces nécessaires pour l'exécution correcte de la conversion pour l'alimentation au gaz propane.

### Outils nécessaires

- Tournevis à lame plate
- Tournevis à lame plate de 3/32" (n°0 [2,0 mm]) (la tige doit mesurer au moins 2 1/2" [6,4 cm] de long)
- Clé à molette
- Tourne-écrou de 7,0 mm
- Clé de 7,0 mm

### Pièces fournies

- Gicleurs pour propane (W10686634)
- Étiquette de conversion (W10590570)

## Conversion pour utilisation en haute altitude

Pour convertir la table de cuisson pour des altitudes supérieures à 6 560 pi (1999,5 m), commander un ensemble pour conversion en haute altitude.

- Pièce numéro W10686630 - gaz propane pour haute altitude
- Pièce numéro W10686629 - gaz naturel pour haute altitude

Pour commander, voir la section "Assistance ou service" du Guide d'utilisation et d'entretien.

**IMPORTANT :** L'opération de conversion de l'appareil (pour l'alimentation au gaz propane au lieu du gaz naturel) doit être exécutée par un installateur qualifié. Avant d'entreprendre la conversion, fermer l'arrivée de gaz à la table de cuisson avant d'interrompre l'alimentation électrique de la table de cuisson.

## AVERTISSEMENT

**Cet ensemble de conversion doit être installé par le personnel qualifié d'une agence de service en conformité avec les instructions du fabricant et les prescriptions de tous les codes en vigueur et des autorités juridictionnelles. Si les présentes instructions ne sont pas rigoureusement respectées, ceci peut provoquer un incendie, une explosion ou la génération de monoxyde de carbone provoquant des dommages corporels ou matériels, ou même la mort. La responsabilité de l'installation correcte de cet ensemble de conversion incombe au personnel qualifié d'une agence de service. L'installation n'est pas correcte et complète avant que le bon fonctionnement de l'appareil converti ait été vérifié sur la base des spécifications présentées dans les instructions du fabricant fournies avec cet ensemble de pièces.**

## AVERTISSEMENT



### Risque d'explosion

Utiliser une canalisation neuve d'arrivée de gaz approuvée par la CSA International.

Installer un robinet d'arrêt.

Bien serrer chaque organe de connexion de la canalisation de gaz.

En cas de connexion au gaz propane, demander à une personne qualifiée de s'assurer que la pression de gaz ne dépasse pas 36 cm (14 po) de la colonne d'eau.

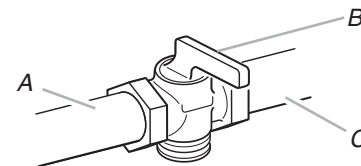
Par personne qualifiée, on comprend :

le personnel autorisé de chauffage,  
le personnel autorisé d'une compagnie de gaz, et  
le personnel d'entretien autorisé.

Le non-respect de ces instructions peut causer un décès, une explosion ou un incendie.

## Conversion du gaz naturel au propane

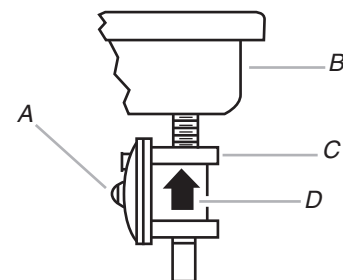
1. Fermer le robinet d'arrêt manuel.



- A. Vers la table de cuisson
- B. Robinet d'arrêt (position de fermeture)
- C. Canalisation d'alimentation en gaz

2. Débrancher la table de cuisson ou déconnecter la source de courant électrique.

## Conversion du détendeur



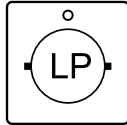
- A. Chapeau de l'ouverture d'accès
- B. Arrière de la table de cuisson
- C. Détendeur
- D. Sens de circulation du gaz

3. Déterminer le type du détendeur :

**Style 1 :** Le chapeau comporte une rainure et la mention "NAT".

Utiliser un tournevis à lame plate ou une pièce de monnaie pour dévisser le chapeau de l'ouverture d'accès; faire tourner le chapeau dans le sens antihoraire.

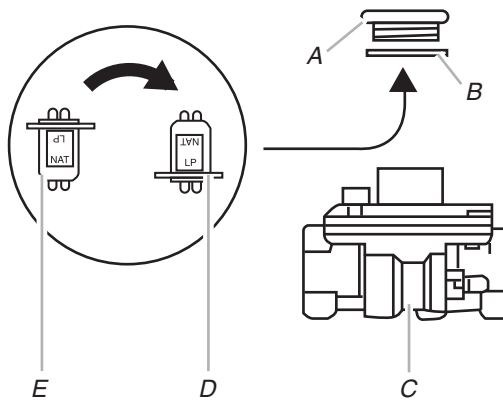
Deux réglages sont possibles pour le détendeur; l'information correspondante est gravée de chaque côté du chapeau. Faire pivoter le chapeau et le réinstaller sur le détendeur; la mention "LP" doit être visible à l'extérieur du détendeur.



**Style 2 :** Le chapeau ne comporte pas de rainure; on doit utiliser une clé pour la dépose.

Utiliser une clé pour enlever le chapeau de l'ouverture d'accès; faire tourner le chapeau dans le sens antihoraire.

Dégager le ressort de retenue du chapeau en poussant contre le côté plat du ressort de retenue. Examiner le ressort de retenue pour identifier la position "NAT" (gaz naturel) ou "LP" (gaz GPL [butane/propane]). Orienter correctement le ressort de retenue pour que la mention "LP" soit au fond. Réinstaller le ressort de retenue dans le chapeau. Réinstaller le chapeau sur le détendeur.



A. Chapeau de l'ouverture d'accès  
B. Joint d'étanchéité  
C. Détendeur

D. Position LP  
E. Position NAT

4. Tester le détendeur et la canalisation de gaz.

On doit tester le détendeur sous une pression supérieure d'au moins 1" (2,5 cm) de colonne d'eau à la pression de service. Pour le fonctionnement et le contrôle du réglage du détendeur, il faut que la pression d'admission au détendeur corresponde aux indications ci-dessous :

**Gaz propane :**

Pression minimale de 10" (25,4 cm) de colonne d'eau  
Pression de service 14" (35,5 cm) de colonne d'eau

**Essai de pression de la canalisation de gaz**

**Essai de pression de circuit au-dessus de ½ lb/po<sup>2</sup> (14" de colonne d'eau)**

Pour tout essai de pression du circuit à une pression supérieure à ½ lb/po<sup>2</sup> (3,5 kPa), la table de cuisson et son robinet d'arrêt doivent être déconnectés du circuit d'alimentation en gaz.

**Essai de pression de circuit à ½ lb/po<sup>2</sup> (14" de colonne d'eau) ou moins**

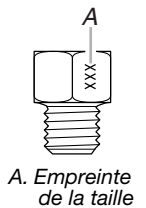
La table de cuisson devra être isolée des canalisations d'alimentation en gaz par la fermeture du robinet d'arrêt manuel individuel durant un essai de pression des canalisations d'alimentation en gaz à une pression égale ou inférieure à ½ lb/po<sup>2</sup> (3,5 kPa).

5. Enlever les grilles de brûleur si elles sont installées.

Utiliser le tableau suivant pour choisir le gicleur approprié selon le modèle de l'appareil et l'emplacement du brûleur à convertir.

**Tableau de sélection des gicleurs pour gaz propane**

Puissance thermique	Empreinte (A)	Diamètre
1 500 BTU*	41	0,41 mm
5 000 BTU	66	0,66 mm
9 050 BTU	88	0,88 mm
12 000 BTU	102	1,02 mm
16 000 BTU	112	1,12 mm



\*Gicleur de mijotage du brûleur double (central).

**Modèles de brûleur**

Modèle n°	Avant droit	Arrière droit	Centre	Avant gauche	Arrière gauche
JGC1530BS	9 050 BTU	5 000 BTU	16 000 BTU	12 000 BTU	12 000 BTU
JGC1536BS	12 000 BTU	5 000 BTU	16 000 BTU	12 000 BTU	12 000 BTU

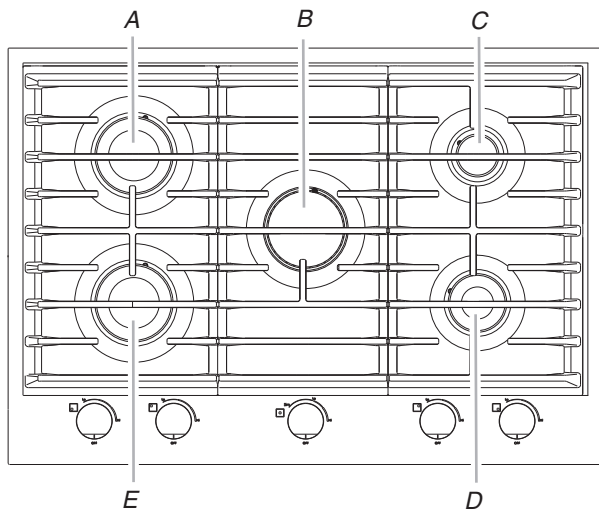
**Conversions pour utilisation en haute altitude**

**IMPORTANT :** Convertir le modèle au gaz propane avec la trousse pour gaz propane en haute altitude référence W10686630. Pour le modèle au gaz naturel, utiliser la trousse pour gaz naturel en haute altitude référence W10686629. Pour convertir un modèle au gaz propane en modèle au gaz naturel en haute altitude, ou un modèle au gaz naturel en un modèle au gaz propane en haute altitude, le détendeur doit être converti. Pour réaliser la conversion, suivre les étapes 1 à 3.

**Tableau des gicleurs à gaz propane pour la conversion en haute altitude**

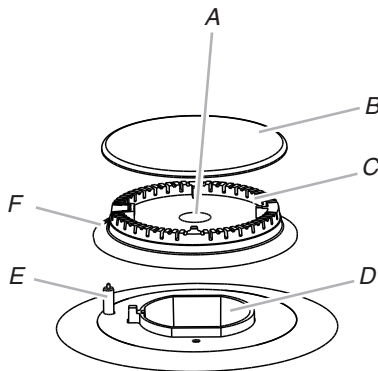
Voir le tableau de la section "Ensemble pour conversion pour alimentation au propane/altitude élevée".

**Emplacement des brûleurs**  
**Modèles de 30" (76,2 cm) et 36" (91,4 cm)**



A. Brûleur arrière gauche    D. Brûleur avant droit  
 B. Brûleur central            E. Brûleur avant gauche  
 C. Brûleur arrière droit

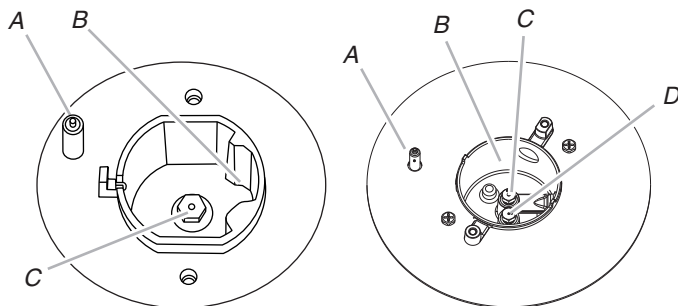
6. Retirer les chapeaux et bases de tous les brûleurs.



A. Ouverture d'arrivée de gaz    D. Porte-gicleur  
 B. Chapeau du brûleur            E. Électrode d'allumage  
 C. Base du brûleur                F. Encoche ou trou à la base du brûleur

7. Pour convertir les brûleurs :

- Placer le tourne-écrou de 7,0 mm sur le gicleur (C); faire tourner dans le sens antihoraire et soulever pour enlever le gicleur.
- Conserver à part le gicleur du brûleur.
- Remplacer le gicleur par un gicleur pour gaz propane de taille correcte. Voir le Tableau de sélection des gicleurs pour gaz propane.

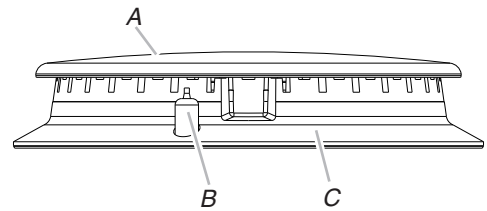


A. Électrode d'allumage            A. Électrode d'allumage  
 B. Porte-gicleur                    B. Porte-gicleur  
 C. Gicleur                            C. Gicleur  
 D. Orifice pour mijotage

**IMPORTANT :** Placer les gicleurs pour gaz naturel dans le sachet de pièces en plastique et les conserver avec le sachet de documentation, pour pouvoir les réutiliser ultérieurement.

8. Remplacer les bases et chapeaux de brûleur.

**IMPORTANT :** Veiller à aligner l'électrode avec l'encoche ou le trou à la base du brûleur. L'électrode d'allumage est en céramique et peut se briser durant l'installation de la base du brûleur.



A. Chapeau de brûleur  
 B. Électrode  
 C. Base du brûleur

9. Ouvrir le robinet d'arrêt de la canalisation de gaz. Le robinet est ouvert lorsque la manette est parallèle à la canalisation de gaz.

10. Après avoir exécuté la conversion de chaque brûleur de la table de cuisson, effectuer un test de recherche des fuites en appliquant une solution homologuée (non corrosive) pour détection des fuites sur les connexions du circuit de gaz. L'apparition de bulles indique une fuite. Éliminer toute fuite détectée.

**⚠ AVERTISSEMENT**



**Risque de choc électrique**

**Brancher sur une prise à 3 alvéoles reliée à la terre.**

**Ne pas enlever la broche de liaison à la terre.**

**Ne pas utiliser un adaptateur.**

**Ne pas utiliser un câble de rallonge.**

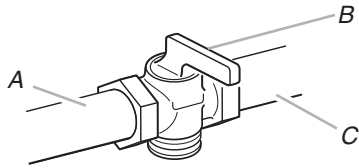
**Le non-respect de ces instructions peut causer un décès, un incendie ou un choc électrique.**

11. Brancher la table de cuisson ou reconnecter la source de courant électrique.

12. Régler la flamme en suivant la section "Réglage de la taille des flammes".

## Conversion pour l'alimentation du propane au gaz naturel

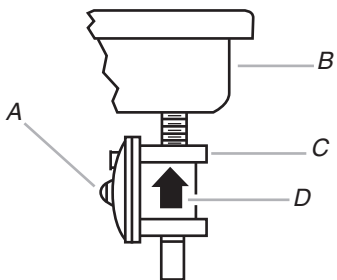
1. Fermer le robinet d'arrêt manuel.



- A. Vers la table de cuisson
- B. Robinet d'arrêt (position de fermeture)
- C. Canalisation d'alimentation en gaz

2. Débrancher la table de cuisson ou déconnecter la source de courant électrique.

### Conversion du détendeur



- A. Chapeau de l'ouverture d'accès
- B. Arrière de la table de cuisson
- C. Détendeur
- D. Sens de circulation du gaz

3. Déterminer le type de détendeur :

**Style 1 :** Le chapeau comporte une rainure et la mention "LP".

Utiliser un tournevis à lame plate ou une pièce de monnaie pour dévisser le chapeau de l'ouverture d'accès; faire tourner le chapeau dans le sens antihoraire.

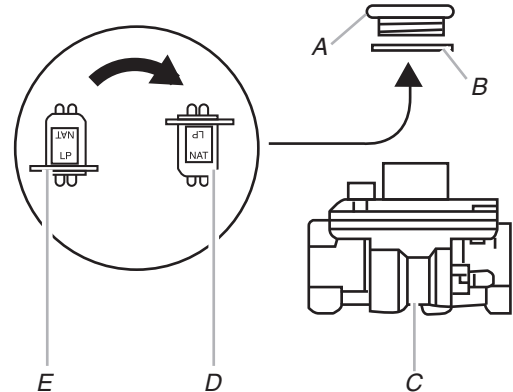
Deux réglages sont possibles pour le détendeur; l'information correspondante est gravée de chaque côté du chapeau. Faire pivoter le chapeau et le réinstaller sur le détendeur; la mention "NAT" doit être visible à l'extérieur du détendeur.



**Style 2 :** Le chapeau ne comporte pas de rainure; on doit utiliser une clé pour la déposer.

Utiliser une clé pour enlever le chapeau de l'ouverture d'accès; faire tourner le chapeau dans le sens antihoraire.

Dégager le ressort de retenue du chapeau en poussant contre le côté plat du ressort de retenue. Examiner le ressort de retenue pour identifier la position "LP" ou "NAT". Orienter correctement le ressort de retenue pour que la mention "NAT" soit au fond. Réinstaller le ressort de retenue dans le chapeau. Réinstaller le chapeau sur le détendeur.



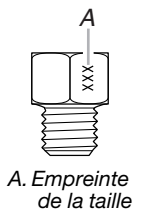
- A. Chapeau de l'ouverture d'accès
- B. Joint d'étanchéité
- C. Détendeur
- D. Position NAT
- E. Position LP

4. Enlever les grilles de brûleur si elles sont installées.

Utiliser le tableau suivant pour choisir le gicleur approprié selon le modèle de l'appareil et l'emplacement du brûleur à convertir.

#### Tableau de sélection des gicleurs pour gaz naturel

Puissance thermique	Empreinte (A)	Diamètre
1 300 BTU*	53	0,53 mm
6 000 BTU	110	1,10 mm
9 050 BTU	132	1,32 mm
12 000 BTU	155	1,55 mm
15 000 BTU	170	1,70 mm
20 000 BTU	195	1,95 mm



\*Gicleur de mijotage du brûleur double (central).

#### Modèles de brûleur

Modèle n°	Avant droit	Arrière droit	Centre	Avant gauche	Arrière gauche
JGC1530BS	9 050 BTU	6 000 BTU	20 000 BTU	12 000 BTU	12 000 BTU
JGC1536BS	12 000 BTU	6 000 BTU	20 000 BTU	12 000 BTU	15 000 BTU

## Conversions pour utilisation en haute altitude

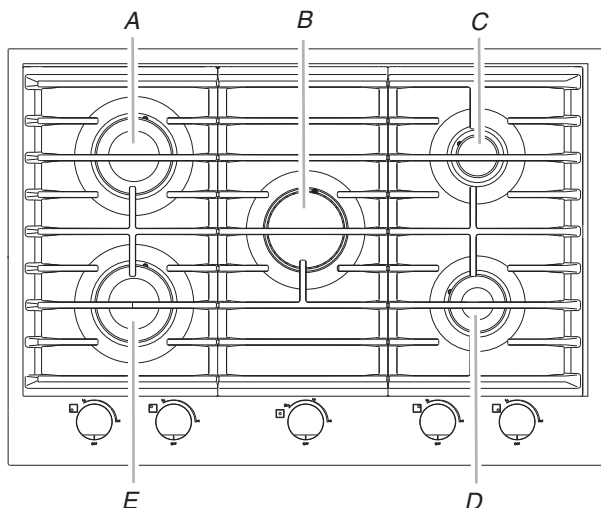
**IMPORTANT :** Convertir le modèle au gaz propane avec l'ensemble pour gaz propane en haute altitude référence W10686630. Pour le modèle au gaz naturel, utiliser l'ensemble pour gaz naturel en haute altitude référence W10686629. Pour convertir un modèle au gaz propane en modèle au gaz naturel en haute altitude, ou un modèle au gaz naturel en un modèle au gaz propane en haute altitude, le détendeur doit être converti. Pour réaliser la conversion, suivre les étapes 1 à 3.

### Tableau des gicleurs à gaz naturel pour la conversion en haute altitude

Voir le tableau de la section "Ensemble pour conversion au gaz naturel/altitude élevée".

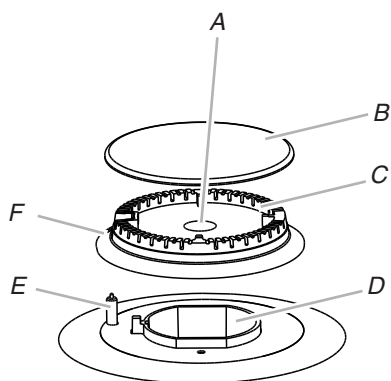
### Emplacement des brûleurs

Modèles de 30" (76,2 cm) et 36" (91,4 cm)



- A. Brûleur arrière gauche      D. Brûleur avant droit  
 B. Brûleur central              E. Brûleur avant gauche  
 C. Brûleur arrière droit

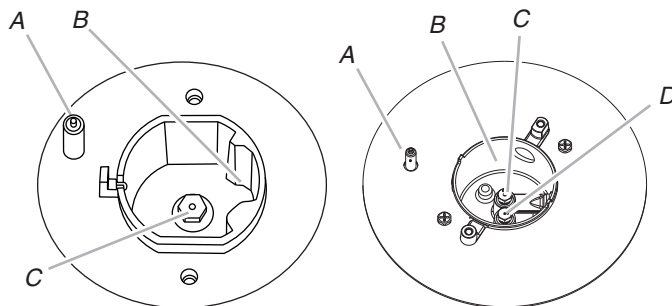
5. Retirer les chapeaux et bases de tous les brûleurs. Retirer la couronne du brûleur si nécessaire.



- A. Ouverture d'arrivée de gaz      D. Porte-gicleur  
 B. Chapeau du brûleur              E. Électrode d'allumage  
 C. Base du brûleur                  F. Encoche ou trou à la base du brûleur

6. Pour convertir les brûleurs :

- Placer le tourne-écrou de 7,0 mm sur le gicleur; faire tourner dans le sens antihoraire et soulever pour enlever le gicleur.
- Conserver à part le gicleur du brûleur.
- Remplacer le gicleur par un gicleur pour gaz naturel de taille correcte. Voir le Tableau de sélection des gicleurs pour gaz naturel.

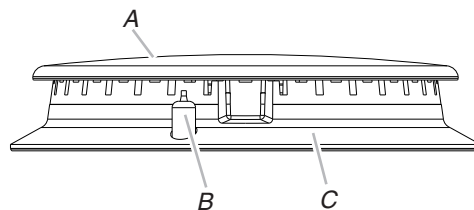


- A. Électrode d'allumage  
 B. Porte-gicleur  
 C. Gicleur

- A. Électrode d'allumage  
 B. Porte-gicleur  
 C. Gicleur  
 D. Orifice pour mijotage

7. Placer les gicleurs pour propane dans le sachet en plastique contenant les pièces et conserver le tout avec le sachet de documentation pour pouvoir le réutiliser ultérieurement.
8. Remplacer les bases et chapeaux de brûleur.

**IMPORTANT :** Veiller à aligner l'électrode avec l'encoche ou le trou à la base du brûleur. L'électrode d'allumage est en céramique et peut se briser durant l'installation de la base du brûleur.



- A. Chapeau de brûleur  
 B. Électrode  
 C. Base du brûleur

9. Ouvrir le robinet d'arrêt de la canalisation de gaz. Le robinet est ouvert lorsque la manette est parallèle à la canalisation de gaz.
10. Après avoir exécuté la conversion de chaque brûleur de la table de cuisson, effectuer un test de recherche des fuites en appliquant une solution homologuée (non corrosive) pour détection des fuites sur les connexions du circuit de gaz. L'apparition de bulles indique une fuite. Éliminer toute fuite détectée.

# ⚠ AVERTISSEMENT



## Risque de choc électrique

Brancher sur une prise à 3 alvéoles reliée à la terre.

Ne pas enlever la broche de liaison à la terre.

Ne pas utiliser un adaptateur.

Ne pas utiliser un câble de rallonge.

Le non-respect de ces instructions peut causer un décès, un incendie ou un choc électrique.

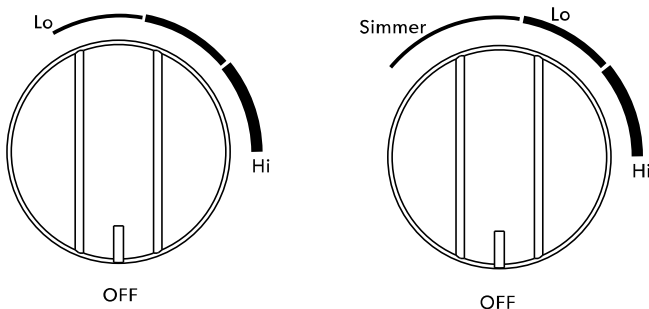
11. Brancher la table de cuisson ou reconnecter la source de courant électrique.
12. Régler la flamme en suivant la section "Réglage de la taille des flammes".

## Allumeurs électroniques - allumage

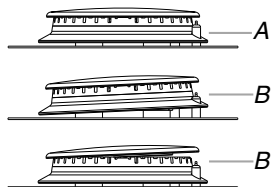
À la place de flammes de veille, les brûleurs de la table de cuisson sont dotés d'allumeurs électroniques. Lorsque l'utilisateur appuie sur le bouton de commande et le fait tourner jusqu'à la position HI (réglage élevé), le système génère des étincelles pour l'inflammation du gaz sur le brûleur. Ces étincelles se produisent jusqu'à l'apparition d'une flamme.

### Contrôle du fonctionnement des brûleurs de la table de cuisson :

1. Appuyer sur le bouton de commande et le tourner à la position HI (réglage élevé). La flamme doit apparaître sur le brûleur en moins de 4 secondes.



2. Si le brûleur ne s'allume pas correctement, tourner le bouton de commande à la position Off (arrêt). Vérifier que le chapeau de brûleur est en position correcte.



A. Correct  
B. Incorrect

3. Vérifier que le cordon d'alimentation électrique est branché, que le tableau de disjoncteurs ne s'est pas déclenché et qu'aucun fusible n'est grillé.
4. Vérifier que le robinet d'arrêt de la canalisation de gaz est ouvert (position ON).
5. Contrôler de nouveau le fonctionnement du brûleur.

Si l'un des brûleurs ne peut toujours pas s'allumer, voir la section "Assistance ou service" dans le Guide d'utilisation et d'entretien.

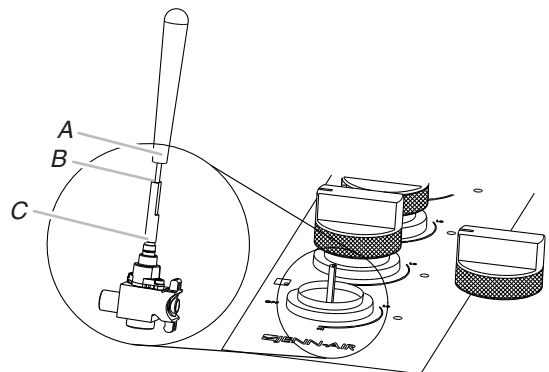
## Réglage pour le débit thermique minimum

La flamme de chaque brûleur a été réglée en usine à la position la plus basse pour que le dispositif de réallumage du brûleur fonctionne constamment d'une manière fiable. Cependant, il est possible de régler chaque brûleur.

### Processus de réglage :

La taille des flammes peut être réglée à l'aide des vis de réglage situées sous le bouton de commande.

1. Régler la flamme du brûleur sur LO (réglage bas).
2. Ôter le bouton de commande.
3. Pour les robinets uniques, immobiliser la tige de commande avec une pince. Utiliser un tournevis à lame plate de  $\frac{3}{32}$ " (#0 [2,0 mm]) pour faire tourner la vis située dans la tige du bouton de commande jusqu'à ce que la flamme atteigne la taille adéquate.



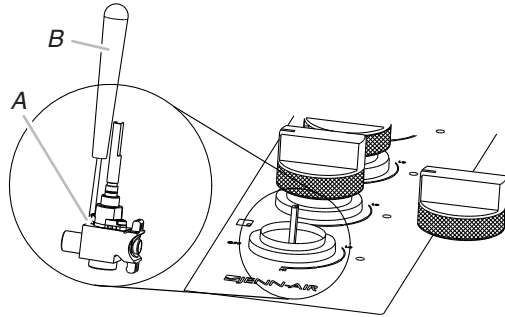
A. Tournevis à lame plate de  $\frac{3}{32}$ " (2,0 mm) n° 0 (la tige doit mesurer au moins 2 1/2" [6,4 cm] de long)

B. Orifice de la tige du bouton de commande

C. Emplacement de la vis de réglage



4. Pour le robinet double du brûleur central, tourner la vis située sur la face supérieure du robinet au moyen d'un tournevis à lame plate de  $\frac{3}{32}$ " (n° 0 [2,0 mm]) jusqu'à ce que la flamme atteigne la taille adéquate.



A. Emplacement de la vis de réglage

A. Tournevis à lame plate de  $\frac{3}{32}$ " (2,0 mm) n° 0 (la tige doit mesurer au moins  $2\frac{1}{2}$ " [6,4 cm] de long)

#### Conversion au gaz propane :

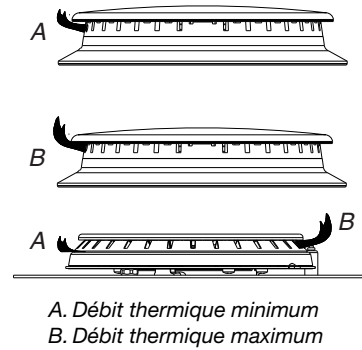
Serrer complètement (sens horaire) la vis "C" pour régler la hauteur de flamme minimale.

#### Conversion au gaz naturel :

Serrer la vis "C" (sens horaire) pour réduire la hauteur de la flamme. Desserrer la vis (dans le sens antihoraire) pour augmenter la hauteur de flamme.

5. Réinstaller le bouton de commande.
6. Répéter les étapes 1 à 5 pour chaque brûleur.

7. Contrôler la taille et la forme des flammes sur chaque brûleur. Pour le réglage au débit thermique "faible", on doit observer des flammes stables bleues d'environ  $\frac{1}{4}$ " (0,64 cm) de haut.



8. Compléter l'étiquette de conversion; fixer l'étiquette sur le fond de la table de cuisson, à côté de la plaque signalétique. Ne pas recouvrir la plaque signalétique avec l'étiquette.
9. Conserver les gicleurs qui ont été retirés de la table de cuisson avec les présentes instructions, pour utilisation ultérieure.

Lire la section "Brûleurs de surface scellés" dans le Guide d'utilisation et d'entretien fourni avec la table de cuisson.

