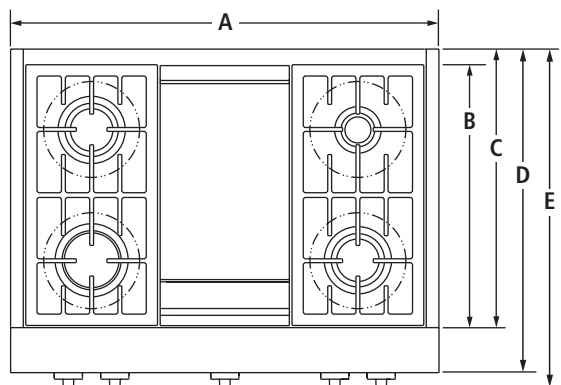


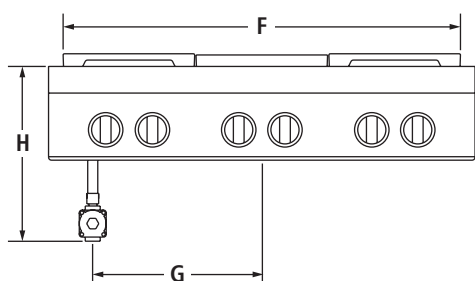
36" PRO-STYLE® RANGETOP WITH GRIDDLE

JGCP536WP – 35¾" x 14⅝" x 28⅜"

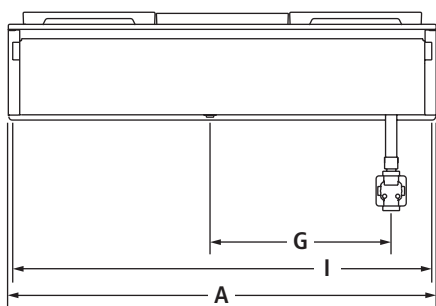
PRODUCT DIMENSIONS



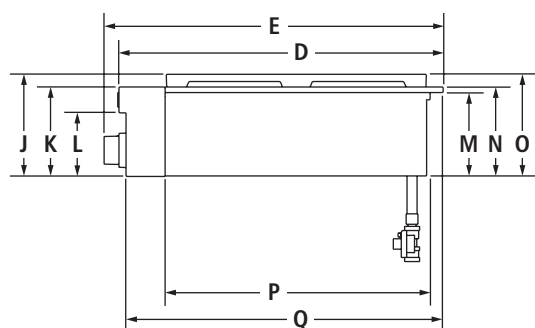
TOP VIEW



FRONT VIEW



BACK VIEW



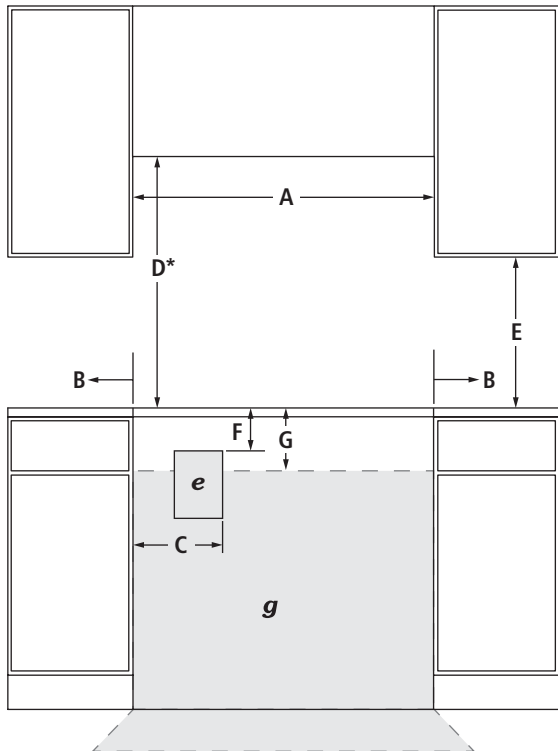
SIDE VIEW

MODEL #		JGCP536WP	
		in	cm
<b>A</b>	Overall width	35¾	90.7
<b>B</b>	Depth of grates/griddle	21¾	55.2
<b>C</b>	Depth without control panel	23¼	59.0
<b>D</b>	Depth with control panel overhang	27⅞	68.9
<b>E</b>	Depth with knobs	28⅜	72.0
<b>F</b>	Width of grates/griddle	33	83.8
<b>G</b>	Center of rangetop to center of gas inlet	14⅞	35.9
<b>H</b>	Height from gas inlet to cooking surface	14⅝	37.1
<b>I</b>	Width of recessed rangetop	35	89.0
<b>J</b>	Height including grates/griddle	8½	21.7
<b>K</b>	Height of control panel	7½	19.0
<b>L</b>	Height to bullnose	5⅜	13.5
<b>M</b>	Height of recessed rangetop	7	17.7
<b>N</b>	Height to cooking surface	7⅜	18.8
<b>O</b>	Height of recessed rangetop with grates/griddle	8½	21.6
<b>P</b>	Depth of recessed rangetop	22⅞	56.3
<b>Q</b>	Depth with control panel	26½	67.3

36" PRO-STYLE® RANGETOP WITH GRIDDLE

JGCP536WP – 35¾" x 14⅝" x 28⅜"

OPENING/CLEARANCE DIMENSIONS



FRONT VIEW

MODEL #		JGCP536WP	
		in	cm
<b>A</b>	Width of combustable area above cooking surface (min.)	36	91.4
<b>B</b>	Width from rangetop to fixed wall or other combustable material (min.)	6	15.2
<b>C</b>	Width to inner edge of outlet (max.)	16	40.6
<b>D*</b>	Height to bottom of uncovered wood or metal cabinet above cooking surface (min.)	42	106.7
<b>E</b>	Height to bottom of uncovered wood or metal cabinet (min.)	18	45.7
<b>F</b>	Height to top edge of outlet (min.)	10	25.4
<b>G</b>	Height to gas supply line area	14	35.6
<b>H</b>	Depth of upper cabinet (recommended)	13	33.0
<b>I**</b>	Depth from cutout to wall	1¾	4.4
<b>J</b>	Depth of cabinet	24	61.0
<b>K</b>	Height from cabinet to countertop	7¼	18.4
<b>L</b>	Width of cutout (countertop and cabinet)	35¼	89.5
<b>M</b>	Width of gas opening	12½	31.7
<b>N</b>	Width from cutout to gas opening	2	5.1
<b>O</b>	Width of notch	¾	1.0
	Zero clearance	⅝	0.8
<b>P</b>	Width of cutout (countertop only)	36	91.4
	Zero clearance	35⅞	91.1
<b>Q</b>	Depth of gas opening	6⅞	17.5
<b>R</b>	Depth from cutout to gas opening	¾	1.9
<b>S</b>	Depth of cutout (countertop and cabinet)	22¼	56.5
<b>e</b>	Recommended electrical outlet location		
<b>g</b>	Recommended gas supply line location		

\*Dimension can be reduced by 6" (15.2 cm) when bottom of wood or metal cabinet is covered by not less than ¼" (0.6 cm) flame retardant millboard covered with not less than No. 28 MSG sheet metal, 0.015" (0.4 mm) stainless steel, 0.024" (0.6 mm) aluminum or 0.020" (0.5 mm) copper.

If installing a hood above the rangetop, follow the hood instructions for dimensional clearances above the cooking surface.

\*\*If back wall is constructed of a combustable material and a backsplash is not installed, a 4¾" (12.1 cm) minimum clearance is required.

**GAS REQUIREMENTS**

**Natural Gas**

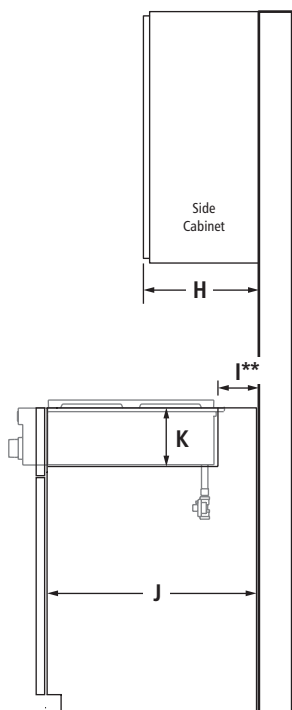
This rangetop is factory-set for use with natural gas.

**LP Gas Conversion**

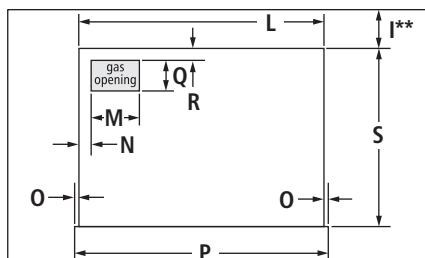
Conversion must be done by a qualified service technician. To convert to LP gas, use the LP gas conversion kit provided with the rangetop.

**ELECTRICAL REQUIREMENTS**

120 volt, 60 Hz, AC only, 15-amp fused, electrical circuit is required. A time-delay fuse or dedicated circuit is recommended.



SIDE VIEW



TOP VIEW – CUTOUT  
(solid platform not shown)

# JENN-AIR® DETAILED PLANNING DIMENSIONS

## VENTILATION SELECTION CHART – RANGETOPS AND RANGES

MODEL #	PRO-STYLE™ HOODS			EURO-STYLE ISLAND-MOUNT HOODS		EURO-STYLE WALL-MOUNT HOODS		GLASS COLLECTION ISLAND-MOUNT HOOD	GLASS COLLECTION WALL-MOUNT HOODS		PERIMETRIC HOOD	OILED BRONZE WALL-MOUNT HOODS		EURO-STYLE TELESCOPING DOWNDRAFT SYSTEMS	CUSTOM HOOD LINERS		OVER-THE-RANGE MICROWAVE OVENS
	JXW9048WP	JXW9036WP JXU9136WP	JXW9030WP JXU9130WP	JXI8042WS	JXI8036WS	JXW8036WS JXW8836WS	JXW8030WS	JXI5036WS	JXW5036WS	JXW5030WS	JXP5032WS	JXW6036WR	JXW6030WR	JXD7036YS JXD7030YS	1200 or 600 CFMA	600 CFMB	JMV9186W JMV8208W
<b>PRO-STYLE® RANGETOPS</b>																	
<b>48-INCH (more than 60,000 BTU total)</b>																	
JGCP548WP – 6 Burners & Griddle	★	—	—	—	—	—	—	—	—	—	—	—	—	—	★	—	—
<b>36-INCH (less than 60,000 BTU total)</b>																	
JGCP536WP – 4 Burners & Griddle	★	★	—	■	■	■	—	■	■	—	■	■	—	—	★	★	—
<b>36-INCH (more than 60,000 BTU total)</b>																	
JGCP436WP – 6 Burners	★	★	—	—	—	—	—	—	—	—	—	—	—	—	★	—	—
<b>30-INCH (less than 60,000 BTU total)</b>																	
JGCP430WP – 4 Burners	■	★	★	■	■	■	■	■	■	■	■	■	■	—	★	★	—
<b>48-INCH (less than 60,000 BTU total)</b>																	
JGD8348CDP – 4 Burners & Grill Assembly	—	—	—	—	—	—	—	—	—	—	—	—	—	—	★	—	—
<b>PRO-STYLE® DUAL-FUEL AND GAS RANGES</b>																	
<b>48-INCH (more than 60,000 BTU total)</b>																	
JDRP548WP – 6 Burners & Griddle	★	—	—	—	—	—	—	—	—	—	—	—	—	—	★	—	—
JGRP548WP – 6 Burners & Griddle	★	—	—	—	—	—	—	—	—	—	—	—	—	—	★	—	—
<b>36-INCH (less than 60,000 BTU total)</b>																	
JDRP536WP – 4 Burners & Griddle	★	★	—	■	■	■	—	■	■	—	■	■	—	—	★	★	—
JGRP536WP – 4 Burners & Griddle	★	★	—	■	■	■	—	■	■	—	■	■	—	—	★	★	—
<b>36-INCH (more than 60,000 BTU total)</b>																	
JDRP436WP – 6 Burners	★	★	—	—	—	—	—	—	—	—	—	—	—	—	★	—	—
JGRP436WP – 6 Burners	★	★	—	—	—	—	—	—	—	—	—	—	—	—	★	—	—
<b>30-INCH (less than 60,000 BTU total)</b>																	
JDRP430WP – 4 Burners	—	★	★	—	■	■	■	■	■	■	■	■	■	—	★	★	—
JGRP430WP – 4 Burners	—	★	★	—	■	■	■	■	■	■	■	■	■	—	★	★	—
<b>SLIDE-IN RANGES</b>																	
<b>Dual-Fuel and Gas Conventional (less than 60,000 BTU total)</b>																	
JDS886BDP – 4 Burners	■	★	★	■	★	★	★	★	★	★	★	■	■	—	★	★	■
JDS8850CD – 4 Burners	■	■	■	■	★	★	★	★	★	★	★	■	■	—	★	★	■
JGS8860BDP – 4 Burners	■	★	★	■	★	★	★	★	★	★	★	■	■	—	★	★	■
JGS8850CD – 4 Burners	■	■	■	■	★	★	★	★	★	★	★	★	★	—	★	★	■
<b>ELECTRIC CONVENTIONAL</b>																	
JES8850CA – 5 Elements	■	■	■	■	★	★	★	★	★	★	★	■	■	—	★	★	■

A. Custom hood liners can be used with any of the following blower motors: UXB1200DYS, UXB0600DYS, UXI1200DYS or UXI0600DYS.  
 B. Blower motor UXB0600DYS is rated for up to 65,000 BTUs and can be used with the rangetops and ranges indicated.

KEY	
★	Style and Performance Pair
■	Performance Pair
—	Not Recommended

