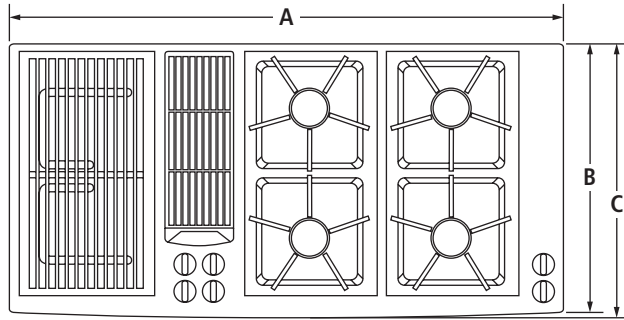


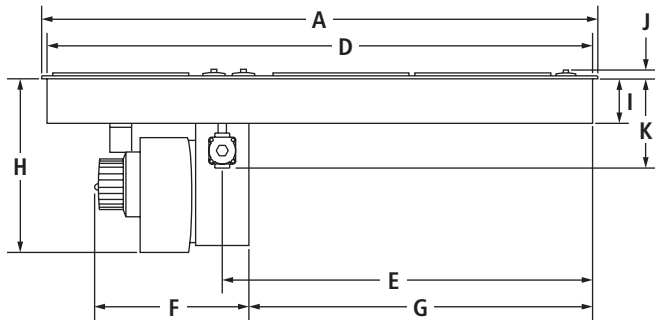
DESIGNER LINE MODULAR GAS DOWNDRAFT COOKTOP

JGD8345AD – 45" x 14³/₄" x 21³/₄"

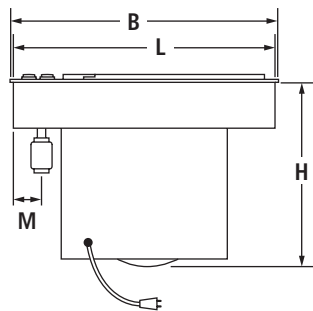
PRODUCT DIMENSIONS



TOP VIEW



FRONT VIEW



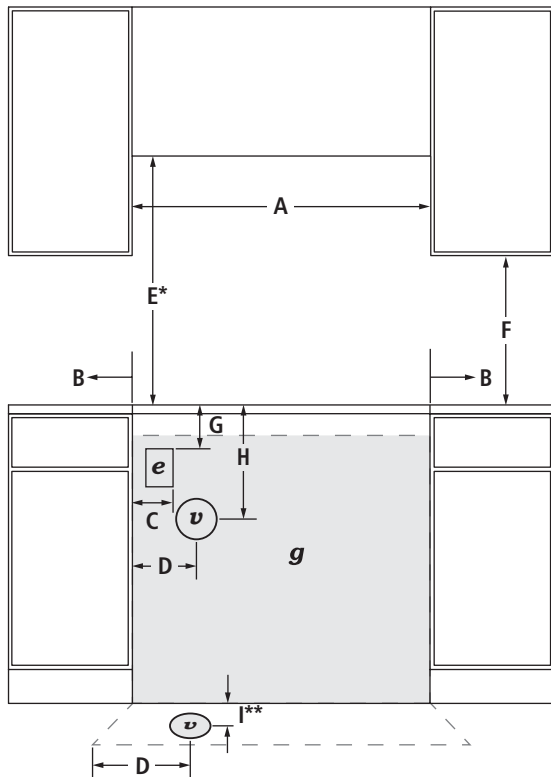
SIDE VIEW

MODEL #		JGD8345AD	
		in	cm
A	Overall width	45	114.3
B	Depth to corner of cooktop	21 ¹ / ₂	54.7
C	Depth to center of cooktop	21 ³ / ₄	55.2
D	Width of recessed cooktop	43	109.2
E	Center of gas inlet to side of recessed cooktop	28 ¹ / ₂	72.4
F	Width of blower motor assembly	14 ³ / ₈	36.5
G	Width from plenum to recessed cooktop	26	65.9
H	Height from blower motor to countertop	14 ³ / ₄	37.5
I	Height of recessed cooktop	3 ¹ / ₂	8.9
J	Height with grates	1 ¹ / ₄	3.2
K	Height from gas inlet to countertop	7 ⁵ / ₈	19.5
L	Depth of recessed cooktop	20 ⁷ / ₈	53.0
M	Center of gas inlet to front of recessed cooktop	2	5.0

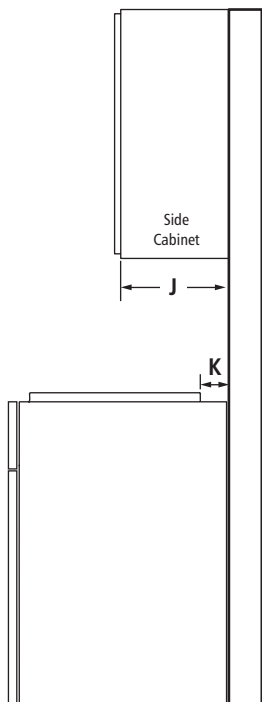
DESIGNER LINE MODULAR GAS DOWNDRAFT COOKTOP

JGD8345AD – 45" x 14³/₄" x 21³/₄"

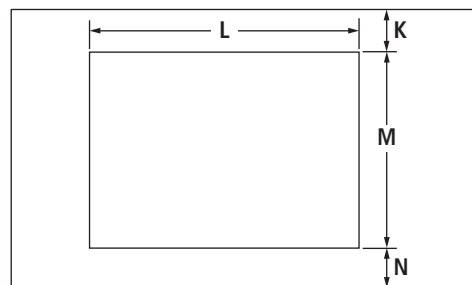
OPENING/CLEARANCE DIMENSIONS



FRONT VIEW



SIDE VIEW



TOP VIEW – CUTOUT

MODEL #	JGD8345AD	
	in	cm
A	Width of combustable area above cooking surface (min.)	45 114.3
B	Width from grill to fixed wall or other combustable material (min.)	8 20.3
C	Width to inside edge of outlet	6 15.0
D	Width to center of vent opening option	9 ³ / ₈ 23.8
E*	Height to bottom of uncovered wood or metal cabinet above cooking surface (min.)	30 76.2
F	Height to bottom of uncovered wood or metal cabinet (min.)	18 45.7
G	Height to top edge of outlet (min.)	5 ¹ / ₂ 14.0
H	Height to center of vent opening option	13 33.0
I**	Depth to center of vent opening option	15 ¹ / ₂ 39.5
J	Depth of upper cabinet (recommended)	13 33.0
K	Depth from cutout to wall (min.)	1 ¹ / ₂ 3.8
L	Width of cutout	43 ¹ / ₄ 109.9
M	Depth of cutout	21 53.3
N	Depth from cutout to front of countertop (min.)	1 ⁷ / ₈ 4.8
e	Recommended electrical access location	
g	Recommended gas supply line location	
v	Recommended venting location – see page 3 for ducting information	

*Dimension can be reduced by 6" (15.2 cm) when bottom of wood or metal cabinet is covered by not less than 1/4" (0.6 cm) flame retardant millboard covered with not less than No. 28 MSG sheet metal, 0.015" (0.4 mm) stainless steel, 0.024" (0.6 mm) aluminum or 0.020" (0.5 mm) copper.

**Based on installation in a 24" (61.0 cm) base cabinet.

GAS REQUIREMENTS

Natural Gas

This cooktop is factory-set for use with natural gas.

LP Gas Conversion

Conversion must be done by a qualified service technician. To convert to LP gas, use the LP gas conversion kit provided with the cooktop.

ELECTRICAL REQUIREMENTS

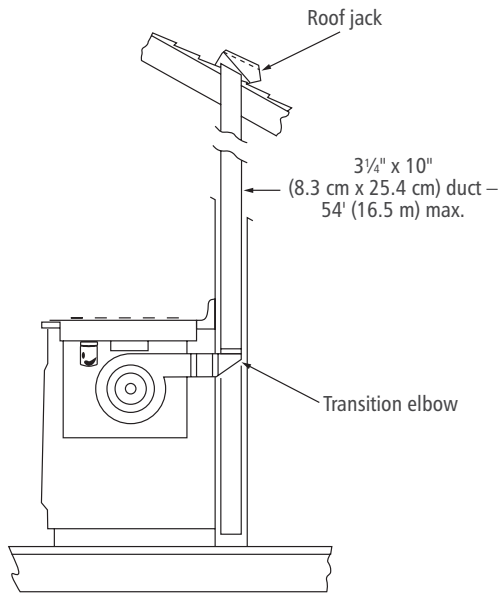
110/120 volt, 60 Hz, AC only, 10-amp fused, grounded circuit is required. A time-delay fuse or dedicated circuit is recommended. Minimum power cord length is 42" (106.7 cm).

LOCATION REQUIREMENTS

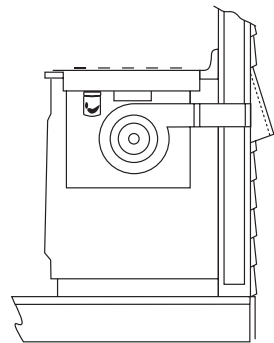
- To ensure cooktop base clearance, cabinet side walls need to be wider than the cutout.
- A minimum clearance of 2" (5.1 cm) is recommended between the blower motor and cabinet for proper cooling. A 6" (15.2 cm) clearance is recommended for servicing access.
- For removal of the supplied grease container(s), a minimum clearance of 6¹/₄" (15.9 cm) is required.
- An under counter built-in oven cannot be installed under this cooktop.

DOWNDRAFT COOKTOP DUCTING ARRANGEMENTS

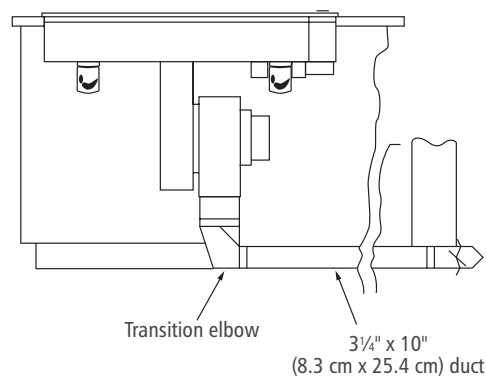
DUCTING CONFIGURATIONS



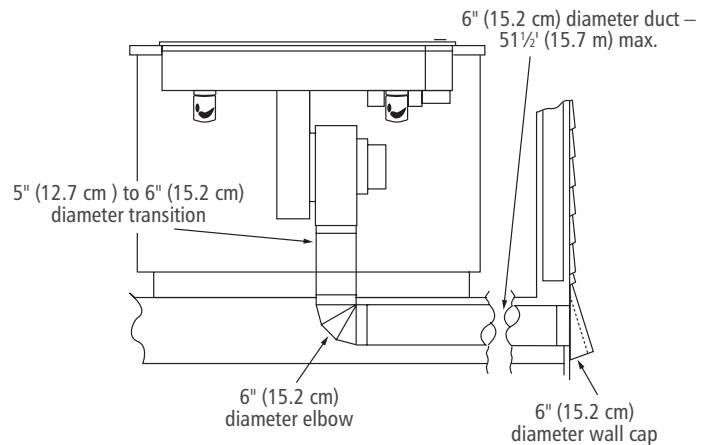
REAR DUCTING IN WALL TO ROOF



REAR DUCTING THROUGH WALL TO OUTSIDE



SIDE DUCTING IN TOE KICK TO OUTSIDE



THROUGH FLOOR BETWEEN JOISTS TO OUTSIDE

DUCTING REQUIREMENTS

COOKTOP	DUCT LENGTH	DUCT SIZE
Gas	10' (3.0 m) or less*	5" (12.7 cm) diameter*
	Between 10' (3.0 m) and 60' (18.3 m)	6" (15.2 cm) diameter 3 1/4" x 10" (8.3 cm x 25.4 cm)
Electric	10' (3.0 m) or less**	5" (12.7 cm) diameter**
	Between 10' (3.0 m) and 60' (18.3 m)	6" (15.2 cm) diameter 3 1/4" x 10" (8.3 cm x 25.4 cm)

*Gas cooktops must use 5" (12.7 cm) diameter for runs of 10' (3.0 m) or less.

**May be used to vent straight out the back of the cooktop and directly through the wall.

CALCULATING MAXIMUM DUCTING LENGTH

- Maximum ducting length is 60' (18.3 m).
- Each 90° elbow equals 5' (1.5 m) duct.
- Use no more than three 90° elbows.
- Flexible metal vent is not recommended.
- Do not install two elbows together.

NOTES:

- For ducting runs up to 30' (9.1 m), install cooktop as shipped.
- For ducting runs of 31' (9.4 m) to 60' (15.2 cm), remove the restricter ring on the blower inlet housing.
- For altitudes above 4500' (1272.0 m), reduce recommended vent run by 20% for best performance.