

# JENN-AIR GAS ON GLASS DOWNDRAFT COOKTOP

## USE & CARE GUIDE

### TABLE OF CONTENTS

Important Safety Instructions .....	1-4
Ducting Information .....	4
Using Your Cooktop .....	5-7
Care & Cleaning .....	8-9
Troubleshooting .....	10
Warranty & Service .....	11
Guide de l'utilisation et d'entretien .....	12
Guía de Uso y Cuidado .....	26



**Installer:** Please leave this guide with this appliance.

**Consumer:** Please read and keep this guide for future reference. Keep sales receipt and/or canceled check as proof of purchase.

Model Number \_\_\_\_\_

Serial Number \_\_\_\_\_

Date of Purchase \_\_\_\_\_

If you have questions, call:

Jenn-Air Customer Assistance

1-800-JENNAIR (1-800-536-6247)

1-800-688-2080 (U.S. TTY for hearing or speech impaired)  
(Mon.-Fri., 8 am-8 pm Eastern Time)

Internet: <http://www.jennair.com>

In our continuing effort to improve the quality and performance of our cooking products, it may be necessary to make changes to the appliance without revising this guide.

*For service information, see page 11.*

# IMPORTANT SAFETY INSTRUCTIONS

Warning and Important Safety Instructions appearing in this guide are not meant to cover all possible conditions and situations that may occur. Common sense, caution, and care must be exercised when installing, maintaining, or operating the appliance.

Always contact your manufacturer about problems or conditions you do not understand.

## Recognize Safety Symbols, Words, Labels

### **WARNING**

**WARNING** – Hazards or unsafe practices which COULD result in severe personal injury or death.

### **CAUTION**

**CAUTION** – Hazards or unsafe practices which COULD result in minor personal injury.

**Read and follow all instructions before using this appliance** to prevent the potential risk of fire, electric shock, personal injury or damage to the appliance as a result of improper usage of the appliance. Use appliance only for its intended purpose as described in this guide.

**To ensure proper and safe operation:** Appliance must be properly installed and grounded by a qualified technician. Do not attempt to adjust, repair, service, or replace any part of your appliance unless it is specifically recommended in this guide. All other servicing should be referred to a qualified servicer. Have the installer show you the location of the gas shut off valve and how to shut it off in an emergency.

Always disconnect power to appliance before servicing.

### **WARNING**

**If the information in this guide is not followed exactly, a fire or explosion may result causing property damage, personal injury or death.**

- **Do not store or use gasoline or other flammable vapors and liquids in the vicinity of this or any appliance.**
- **IF YOU SMELL GAS:**
  - **Do not try to light any appliance.**
  - **Do not touch any electrical switch.**
  - **Do not use any phone in your building.**
  - **Immediately call your gas supplier from a neighbor's phone. Follow the gas supplier's instructions.**
  - **If you cannot reach your gas supplier, call the fire department.**
- **Installation and service must be performed by a qualified installer, service agency or the gas supplier.**

### **WARNING**

Gas leaks may occur in your system and result in a dangerous situation. Gas leaks may not be detected by smell alone. Gas suppliers recommend you purchase and install an UL approved gas detector. Install and use in accordance with the manufacturer's instructions.

# IMPORTANT SAFETY INSTRUCTIONS

## To Prevent Fire or Smoke Damage

### CAUTION

**NEVER** leave any items on the cooktop. The hot air may ignite flammable items and may increase pressure in closed containers which may cause them to burst.

Be sure all packing materials are removed from the appliance before operating it.

Keep area around appliance clear and free from combustible materials, gasoline, and other flammable vapors and materials.

If appliance is installed near a window, proper precautions should be taken to prevent curtains from blowing over burners.

Many aerosol-type spray cans are **EXPLOSIVE** when exposed to heat and may be highly flammable. Avoid their use or storage near an appliance.

Many plastics are vulnerable to heat. Keep plastics away from parts of the appliance that may become warm or hot. Do not leave plastic items on the cooktop as they may melt or soften if left too close to a lighted surface burner.

To eliminate the hazard of reaching over hot surface burners, cabinet storage should not be provided directly above a unit. If storage is provided, it should be limited to items which are used infrequently and which are safely stored in an area subjected to heat from an appliance. Temperatures may be unsafe for some items, such as volatile liquids, cleaners or aerosol sprays.

A faint gas odor may indicate a gas leak. If a gas odor is detected, shut off the gas supply to the cooktop. Call your installer or local gas company to have the possible leak checked. **Never use a match or other flame to locate a gas leak.**

## In Case of Fire

Turn off appliance and ventilating hood to avoid spreading the flame. Extinguish flame then turn on hood to remove smoke and odor.

- Smother fire or flame in a pan with a lid or cookie sheet.
- **NEVER** pick up or move a flaming pan.

Do not use water on grease fires. Use baking soda, a dry chemical or foam-type extinguisher to smother fire or flame.

## Child Safety

### CAUTION

**NEVER** store items of interest to children in cabinets above an appliance. Children climbing on the appliance to reach items could be seriously injured.

**NEVER** leave children alone or unsupervised near the appliance when it is in use or is still hot.

**NEVER** allow children to sit or stand on any part of the appliance as they could be injured or burned.

Children must be taught that the appliance and utensils on it can be hot. Let hot utensils cool in a safe place, out of reach of small children. Children should be taught that an appliance is not a toy. Children should not be allowed to play with controls or other parts of the unit.

## About Your Appliance

### WARNING

**NEVER** use this appliance as a space heater to heat or warm a room. Doing so may result in carbon monoxide poisoning and overheating of the oven.

**NEVER** cover any slots, holes or passages with materials such as aluminum foil. Doing so blocks air flow and may cause carbon monoxide poisoning. Aluminum foil may also trap heat causing a fire hazard.

**NEVER** obstruct the flow of combustion and ventilation air by blocking the oven vent or air intakes. Doing so restricts air to the burners and may result in carbon monoxide poisoning.

**Do not** use the cooktop as a storage area for food or cooking utensils.

Potentially hot surfaces include cooktop, and areas facing the cooktop.

## Cooking Safety

Always place a pan on a surface burner before turning it on. Be sure you know which knob controls which surface burner. Make sure the correct burner is turned on and that the burner has ignited. When cooking is completed, turn burner off before removing pan to prevent exposure to burner flame.

Always adjust surface burner flame so that it does not extend beyond the bottom edge of the pan. An excessive flame is hazardous, wastes energy and may damage the appliance, pan or cabinets above the appliance.

# IMPORTANT SAFETY INSTRUCTIONS

---

**NEVER** leave a surface cooking operation unattended especially when using a high heat setting or when deep fat frying. Boilovers cause smoking and greasy spillovers may ignite. Clean up greasy spills as soon as possible. Do not use high heat for extended cooking operations.

**NEVER** heat an unopened container on the surface burner. Pressure build-up may cause container to burst resulting in serious personal injury or damage to the appliance.

Use dry, sturdy potholders. Damp potholders may cause burns from steam. Dish towels or other substitutes should never be used as potholders because they can trail across hot surface burners and ignite or get caught on appliance parts.

Always let quantities of hot fat used for deep fat frying cool before attempting to move or handle.

Do not let cooking grease or other flammable materials accumulate in or near the appliance, hood or vent fan. Clean hood frequently to prevent grease from accumulating on hood or filter. When flaming foods under the hood turn the fan on.

**NEVER** wear garments made of flammable material or loose fitting or long-sleeved apparel while cooking. Clothing may ignite or catch utensil handles.

**NEVER** cover the downdraft opening with a utensil, pot holder, or other object while the fan is on high or low. This will seriously reduce the performance of the cooktop.

## Glass-Ceramic Cooktop

**NEVER** cook on broken cooktop. If cooktop should break, cleaning solutions and spillovers may penetrate the broken cooktop and create a risk of electric shock. Contact a qualified technician immediately.

Clean cooktop with caution. Some cleaners can produce noxious fumes if applied to a hot surface. If a wet sponge, cloth, or paper towel is used on a hot cooking area, be careful to avoid steam burn.

Never stand on the cooktop.

## Utensil Safety

Use pans with flat bottoms and handles that are easily grasped and stay cool. Avoid using unstable, warped, easily tipped or loose-handled pans. Also avoid using pans, especially small pans, with heavy handles as they could be unstable and easily tip. Pans that are heavy to move when filled with food may also be hazardous.

Be sure utensil is large enough to properly contain food and avoid boilovers. Pan size is particularly important in deep fat frying. Be sure pan will accommodate the volume of food that is to be added as well as the bubble action of fat.

To minimize burns, ignition of flammable materials and spillage due to unintentional contact with the utensil, do not extend handles over adjacent surface burners. Always turn pan handles toward the side or back of the appliance, not out into the room where they are easily hit or reached by small children.

Never let a pan boil dry as this could damage the utensil and the appliance.

Only certain types of glass, glass/ceramic, ceramic or glazed utensils are suitable for cooktop usage without breaking due to the sudden change in temperature. Follow manufacturer's instructions when using glass.

This appliance has been tested for safe performance using conventional cookware. Do not use any devices or accessories that are not specifically recommended in this guide. Do not use eyelid covers for the surface units or stovetop grills. The use of devices or accessories that are not expressly recommended in this manual can create serious safety hazards, result in performance problems, and reduce the life of the components of the appliance.

## Cleaning Safety

Turn off all controls and wait for appliance parts to cool before touching or cleaning them. Do not touch the burner grates or surrounding areas until they have had sufficient time to cool.

Clean appliance with caution. Use care to avoid steam burns if a wet sponge or cloth is used to wipe spills on a hot surface. Some cleaners can produce noxious fumes if applied to a hot surface.

## Important Safety Notice and Warning

The California Safe Drinking Water and Toxic Enforcement Act of 1986 (Proposition 65) requires the Governor of California to publish a list of substances known to the State of California to cause cancer or reproductive harm, and requires businesses to warn customers of potential exposures to such substances.

Users of this appliance are hereby warned that the burning of gas can result in low-level exposure to some of the listed substances, including benzene, formaldehyde and soot, due primarily to the incomplete combustion of natural gas or liquid petroleum (LP)

# IMPORTANT SAFETY INSTRUCTIONS

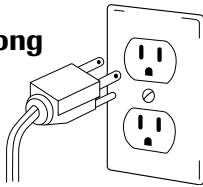
fuels. Properly adjusted burners will minimize incomplete combustion. Exposure to these substances can also be minimized by properly venting the burners to the outdoors.

## IMPORTANT NOTICE REGARDING PET BIRDS:

Never keep pet birds in the kitchen or in rooms where the fumes from the kitchen could reach. Birds have a very sensitive respiratory system. Fumes released during an oven self-cleaning cycle may be harmful or fatal to birds. Fumes released due to overheated cooking oil, fat, margarine and overheated non-stick cookware may be equally harmful.

## Electrical Connection

Appliances which require electrical power are equipped with a three-prong grounding plug which must be plugged directly into a properly grounded three-hole 120 volt electrical outlet.



*Always disconnect power to appliance before servicing.*

The three-prong grounding plug offers protection against shock hazards. **DO NOT CUT OR REMOVE THE THIRD GROUNDING PRONG FROM THE POWER CORD PLUG.**

If an ungrounded, two-hole or other type electrical outlet is encountered, **it is the personal responsibility of the appliance owner to have the outlet replaced with a properly grounded three-hole electrical outlet.**

## Ducting Information

Jenn-Air's ventilation system is designed to capture both cooking fumes and smoke from the cooktop surface. If the system does not, these are some ducting installation situations to check:

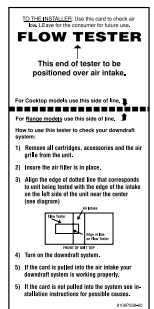
- 6" diameter round or 3 1/4" x 10" rectangular ducting should be used for duct lengths 10'-60'.

**Note:** Use 5" diameter round ducting if the duct length is 10' or less.

- No more than three 90° elbows should be used. Distance between elbows should be at least 18".
- Recommended Jenn-Air wall cap **MUST** be used. Make sure damper moves freely when ventilation system is operating.
- There should be a minimum clearance of 6" for cooktop installed near a side wall.
- There should be a minimum clearance of 12" between the bottom of the wall cap and the ground.

If there is not an obvious improper installation, there may be a concealed problem such as a pinched joint, obstruction in the pipe, etc. Installation is the responsibility of the installer and questions should be addressed first by the installer. The installer should very carefully check the ducting installation instructions.

- Use the Flow Tester Card provided with your appliance to check the air flow.



**Save These Instructions for Future Reference**

# USING YOUR COOKTOP

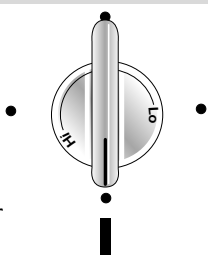
## Surface Controls

### CAUTION

- If flame should go out during a cooking operation, turn the burner off. If a strong gas odor is detected, open a window and wait five minutes before relighting the burner.
- Be sure all surface controls are set to the **OFF** position prior to supplying gas to the cooktop.
- **NEVER** touch cooktop until it has cooled. Expect some parts of the cooktop, especially around the burners, to become warm or hot during cooking. Use potholders to protect hands.

## Surface Control Knobs

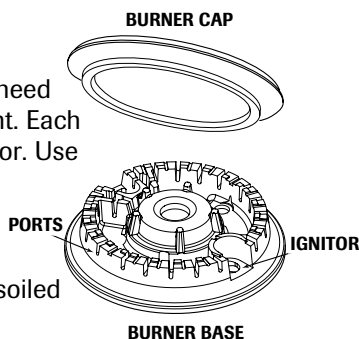
Use to turn on the surface burners. An infinite choice of heat settings is available from **Lo** to **Hi**. At the **Hi** setting a detent or notch may be felt.



## Pilotless Ignition

Pilotless ignition eliminates the need for a constant standing pilot light. Each surface burner has a spark ignitor. Use care when cleaning around the surface burner.

If the surface burner does not light, check if ignitor is broken, soiled or wet.



## Flame-Sensing™ Re-Ignition

Your cooktop has sealed gas burners with Flame-Sensing™ Re-Ignition. If any burner flame should go out, the system will automatically spark to re-ignite the burner (all ignitors will spark when any flame is extinguished, however only the selected burner will reignite).

If intermittent sparking occurs, increase flame (rotate knob clockwise) until clicking (spark) sound ceases.

## Setting the Controls

Your cooktop has sealed gas burners with automatic re-ignition. If the burner flame should go out, the system will automatically spark to re-ignite the burner.

1. Place a pan on the burner grate. (To preserve the grate finish, do not operate the burners without a pan on the grate to absorb the heat from the burner flame.)
2. Push in knob and turn immediately counterclockwise to the desired setting.

- A clicking (spark) sound will be heard and the burner will light. (All ignitors will spark when any surface burner knob is turned on. However, only the selected burner will light.)

## Suggested Heat Settings

The size and type of cookware will affect the heat setting.

SETTINGS	USES
	<p>Use <b>Hi</b> to bring liquid to a boil, or reach pressure in a pressure cooker. Always reduce setting to a lower heat when liquids begin to boil or foods begin to cook.</p> <p>An intermediate flame size is used to continue cooking. Food will not cook any faster when a higher flame setting is used than needed to maintain a gentle boil. Water boils at the same temperature whether boiling gently or vigorously.</p>
	<p>Use <b>Lo</b> to simmer foods, keep foods warm and melt chocolate or butter.</p> <p>Some cooking may take place on the <b>Lo</b> setting if the pan is covered. It is possible to reduce the heat by rotating the knob to the <b>OFF</b> position. Be sure flame is stable.</p>

## Operating During a Power Failure

1. Hold a lighted match to the desired surface burner head.
2. Push in and turn the control knob slowly to the desired setting.

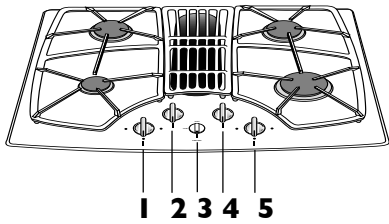
### CAUTION

- When lighting the surface burners, be sure all of the controls are in the **OFF** position. Strike the match first and hold it in position before turning the knob.
- **Do not** leave the cooktop unattended when cooking during a power failure. The automatic re-ignition feature will not operate during a power failure.

# USING YOUR COOKTOP

## Cooktop at a Glance

MODEL JGD8430



1. Left front surface burner (5,000 BTUs on Hi, 900 BTUs on Lo).
2. Left rear surface burner (10,500 BTUs).
3. Vent fan control
4. Right rear surface burner (9,200 BTUs).
5. Right front surface burner (15,000 BTUs).

## Sealed Burners

The sealed burners are secured to the cooktop and are not designed to be removed. Since the burners are sealed into the cooktop, boilovers or spills will not seep underneath the cooktop.

However, the burners should be cleaned after each use. The head portion of the burner is easily removed for cleaning. (See page 8 for cleaning directions.)

Burner caps must be correctly placed on the burner base for proper operation of the burner.

## High Performance Burner\*

There is one high speed burner on your cooktop, located in right front position. This burner offers higher speed cooking that can be used to quickly bring water to a boil and for large-quantity cooking.

Boil performance with the high speed burner is better with the downdraft fan off. Once boiling begins, turn the downdraft fan on to capture steam as necessary.

## Simmer Burner\*

This burner is located in the left front position. The simmer burner offers a lower BTU flame for:

- Holding delicate sauces warm.
- Melting chocolate or butter.

The “Melt and Hold” performance of the simmer burner can be enhanced by turning the downdraft fan on.

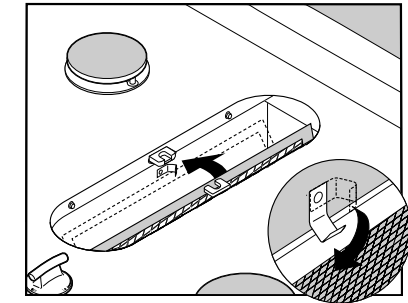
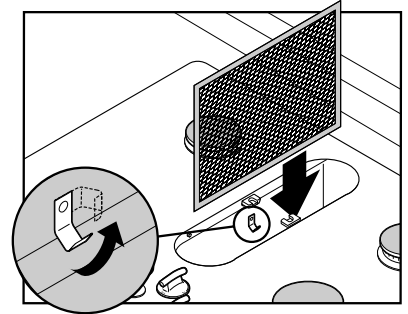
Always hold food at proper food temperatures. The USDA recommends food temperatures between 140° - 170° F.

\* BTU ratings will vary when using LP gas.

## Grease Filter

Install grease filter per illustration. Unit must not be operated without first properly installing filter as shown.

**IMPORTANT: Do not operate system without filter.** Filter should always be placed at an angle. As you face the front of the cooktop, the top of the filter should rest against the left side of the vent opening. The bottom should rest against the right side of the vent chamber at the bottom.



**Note:** If the filter is flat against the fan wall, ventilation effectiveness is reduced.

## Burner Grates

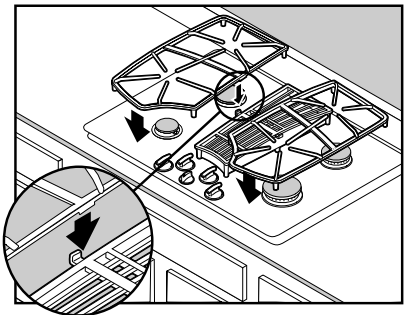
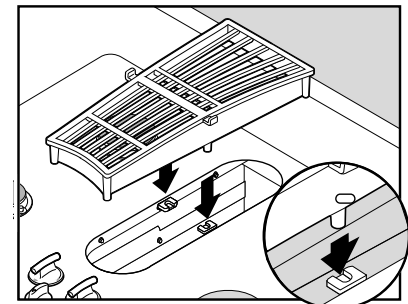
The grates must be properly positioned before cooking. Improper installation of the grates may result in chipping of the cooktop. To ensure proper positioning, insert the center air grille first. Make sure the bottom legs fit into the locators inside the filter cavity.

Next, put the right and left side grates in place so that the tab on the grate fits over the tab on the center air grille.

**Do not operate the burners without a pan on the grate.**

**The grate's porcelain finish may chip without a pan to absorb the heat from the burner flame.**

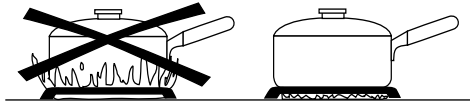
Although the burner grates are durable, they will gradually lose their shine and/or discolor, due to the high temperatures of the gas flame.



# USING YOUR COOKTOP

## Notes

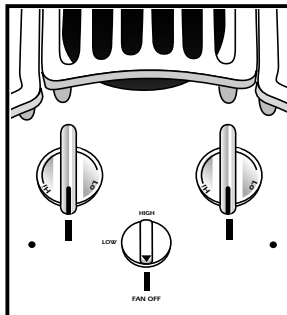
- A properly adjusted burner with clean ports will light within a few seconds. If using natural gas, the flame will be blue with a deeper blue inner cone.  
If the burner flame is yellow or is noisy, the air/gas mixture may be incorrect. Contact a service technician to adjust. (Adjustments are not covered by the warranty.)  
With LP gas, some yellow tips on the flames are acceptable. This is normal and adjustment is not necessary.
- With some types of gas, you may hear a “popping” sound when the surface burner is turned off. This is a normal operating sound of the burner.
- To improve cooking efficiency and to prevent possible damage to the cooktop or pan, the flame must be adjusted so it does not extend beyond the edge of the pan.



## Ventilation System

The built-in ventilation system removes cooking vapors, odors and smoke from foods prepared on your cooktop.

- To operate the ventilation system, turn the vent fan knob located at the center-front of the air grille clockwise to **Low** or **High**.
- The fan can be used to remove strong odors from the kitchen as when chopping onions near the fan.
- Never cover the downdraft opening when the fan is on.



## Glass-Ceramic Surface

### Notes

- Cooktop may emit light smoke and odor the first few times the cooktop is used. This is normal.
- The glass-ceramic surface may appear discolored when it is hot. This is normal and will disappear when the surface cools.
- Glass-ceramic cooktops retain heat for a period of time after the unit is turned off.
- Do not attempt to lift the cooktop.

## Tips to Protect the Glass-Ceramic Surface

- Before first use, clean the cooktop. (See Cleaning, page 8.)
- Do not allow plastic, sugar or foods with high sugar content to melt onto the hot cooktop. Should this happen, clean immediately. (See Cleaning, page 8.)
- Never use cooktop as a work surface or cutting board.
- Do not slide metal pans across a hot surface. The pans may leave marks which can be difficult to remove or leave permanent marks. Any marks should be removed promptly. (See Cleaning, page 8.)
- To prevent scratching or damage to the glass-ceramic top, do not leave sugar, salt or fats on the cooking area. Wipe the cooktop surface with a clean cloth or paper towel before using.
- Never use a soiled dish cloth or sponge to clean the cooktop surface. A film will remain which may cause stains on the cooking surface after the area is heated.
- Do not use foil or foil-type containers. Foil may melt onto the glass. If metal melts on the cooktop, do not use. Call an authorized Jenn-Air Servicer.
- Do not allow spills to remain on the cooking area or the cooktop trim for a long period of time.
- Do not use abrasive cleansing powders or scouring pads which will scratch the cooktop.
- Do not use chlorine bleach, ammonia or other cleansers not specifically recommended for use on glass-ceramic.
- To retain the appearance of the glass-ceramic gas cooktop, clean after each use.



# CARE & CLEANING

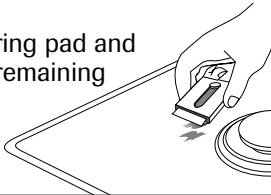
## Cleaning Procedures

### CAUTION

- Be sure appliance is off and all parts are cool before handling or cleaning. This is to avoid damage and possible burns.
- To prevent staining or discoloration, clean appliance after each use.
- If a part is removed, be sure it is correctly replaced.

\* Brand names for cleaning products are registered trademarks of the respective manufacturers.

\*\* To order direct, call 1-800-JENNAIR (1-800-536-6247) USA and Canada.

PART	PROCEDURE
<b>Burner Grates - Porcelain on Cast Iron</b>	<ul style="list-style-type: none"> <li>• Allow grates to cool. Remove left and right side grates first.</li> <li>• Wash grates with warm, soapy water and a nonabrasive, plastic scrubbing pad. For stubborn soils, clean with a soap-filled, nonabrasive pad or Cooktop Cleaning Creme* (Part #20000001)** and a sponge. If soil remains, reapply Cooktop Cleaning Creme*, cover with a damp paper towel and soak for 30 minutes. Scrub again, rinse and dry.</li> <li>• Do not clean in dishwasher or self-cleaning oven.</li> <li>• Replace grates by placing the air grille first.</li> </ul>
<b>Burner Caps and Sealed Gas Burners</b>	<p><b>Removable Burner Caps</b></p> <ul style="list-style-type: none"> <li>• Allow burner to cool. Remove burner cap and wash in soapy water with a plastic scouring pad. For stubborn soils, clean with a soap-filled, nonabrasive pad or Cooktop Cleaning Creme* (Part #20000001)** and a sponge.</li> <li>• Do not clean in dishwasher or self-cleaning oven.</li> </ul> <p><b>Sealed Gas Burner</b></p> <ul style="list-style-type: none"> <li>• Clean after each use. Allow burner to cool. Clean with soap and plastic scouring pad. For stubborn soils, clean with a soap-filled, nonabrasive pad.</li> <li>• Be careful not to get water into the center of the burner.</li> <li>• Use care when cleaning the ignitor. If the ignitor is wet or damaged the surface burner will not light.</li> <li>• To ensure even cooking performance, keep burner ports free of food soils/debris.</li> </ul>
<b>Cooktop - Glass-Ceramic</b>	<p><i>Never use oven cleaners, chlorine bleach, ammonia or glass cleaners with ammonia. <b>NOTE:</b> Call an authorized servicer if the glass-ceramic top should crack, break or if metal or aluminum foil should melt on the cooktop.</i></p> <ul style="list-style-type: none"> <li>• <b>Allow the cooktop to cool before cleaning.</b></li> <li>• <b>General</b> – Clean cooktop after each use, with a damp paper towel and Cooktop Cleaning Creme* (Part No. 20000001)**. Then, buff with a clean dry cloth.</li> </ul> <p><i><b>NOTE:</b> Permanent stains will develop if soil is allowed to cook on by repeatedly using the cooktop when soiled.</i></p> <ul style="list-style-type: none"> <li>• <b>Heavy Soils or Metal Marks</b> -- Dampen a “scratchless” or “never scratch” scrubber sponge. Apply Cooktop Cleaning Creme* (Part No. 20000001)** and scrub to remove as much soil as possible. Apply a thin layer of the creme over the soil, cover with a damp paper towel and let stand 30-45 minutes (2-3 hours for very heavy soil). Keep moist by covering the paper towel with plastic wrap. Scrub again, then buff with a clean dry cloth.</li> </ul> <p><i><b>NOTE:</b> Only use a CLEAN, DAMP “scratchless” pad that is safe for non-stick cookware. The glass will be damaged if the pad is not damp, if the pad is soiled, or if another type of pad is used.</i></p> <ul style="list-style-type: none"> <li>• <b>Burned-on or Crusty Soils</b> -- Scrub with a “scratchless” or “never scratch” scouring pad and Cooktop Cleaning Creme*. Hold a razor blade scraper at 30° angle and scrape any remaining soil. Then, clean as described above.</li> <li>• <b>Melted Sugar or Plastic</b> -- Immediately turn burner OFF and allow to cool. Clean residue with razor blade scraper and Cooktop Cleaning Creme*.</li> </ul> 
<b>Control Knobs</b>	<ul style="list-style-type: none"> <li>• Remove knobs in the OFF position by pulling up. Do not remove seal under knob.</li> <li>• Wash, rinse and dry. Do not use abrasive cleaning agents as they may scratch the finish.</li> <li>• Turn on each burner to be sure the knobs have been correctly replaced.</li> <li>• Do not clean in the dishwasher.</li> </ul>

# CARE & CLEANING

PART	PROCEDURE
<b>Cooktop- Stainless Steel</b> (select models)	<ul style="list-style-type: none"> <li>• <b>DO NOT USE ANY CLEANING PRODUCT CONTAINING CHLORINE BLEACH.</b></li> <li>• <b>ALWAYS WIPE WITH THE GRAIN WHEN CLEANING.</b></li> <li>• <b>DO NOT USE ORANGE OR ABRASIVE CLEANERS.</b></li> <li>• <b>Daily Cleaning/Light Soil</b> -- Wipe with one of the following - soapy water, white vinegar/water solution, Formula 409 Glass and Surface Cleaner* or a similar glass cleaner - using a sponge or soft cloth. Rinse and dry. To polish and help prevent fingerprints, follow with Stainless Steel Magic Spray* (Part No. 20000008)**.</li> <li>• <b>Moderate/Heavy Soil</b> -- Wipe with one of the following - Bon Ami*, Smart Cleanser*, or Soft Scrub* - using a damp sponge or soft cloth. Rinse and dry. Stubborn soils may be removed with a damp multi-purpose Scotch-Brite* pad; rub evenly with the grain. Rinse and dry. To restore luster and remove streaks, follow with Stainless Steel Magic Spray*.</li> <li>• <b>Discoloration</b> -- Using a damp sponge or soft cloth, wipe with Cameo Stainless Steel Cleaner*. Rinse immediately and dry. To remove streaks and restore luster, follow with Stainless Steel Magic Spray*.</li> </ul>
<b>Ventilation Chamber and Filter</b>	<ul style="list-style-type: none"> <li>• <b>Air Grille:</b> The air grille lifts off easily. Wipe clean or wash in the sink with mild household detergents. To prevent scratching the surface, do not use abrasive cleaners or scrubbing pads.</li> <li>• <b>Filter:</b> Turn off ventilation system before removing. The filter is a permanent type and should be cleaned when soiled. Clean in sink with warm water and detergent.</li> <li>• <b>Ventilation Chamber:</b> This area, which houses the filter, should be cleaned in the event of spills or whenever it becomes coated with a film of grease. It can be cleaned with a paper towel, damp cloth, or sponge and mild household detergent or cleanser.</li> </ul>

\* Brand names for cleaning products are registered trademarks of the respective manufacturers.

\*\* To order direct, call 1-800-JENNAIR (1-800-536-6247) USA and Canada.

# TROUBLESHOOTING

PROBLEM	SOLUTION
<b>Surface burner fails to light.</b>	<ul style="list-style-type: none"> <li>• Check to be sure plug is securely inserted into receptacle.</li> <li>• Check or re-set circuit breaker. Check or replace fuse.</li> <li>• Check power supply.</li> <li>• Check to be sure burner is correctly rated for your kind of gas.</li> <li>• Check to be sure burner ports or ignition ports are not clogged.</li> <li>• Check to be sure ignitor is dry and clicking. Burner will not light if ignitor is damaged, soiled or wet. If ignitor doesn't click, turn control knob OFF.</li> <li>• Check to be sure burner cap is correctly seated on the burner base.</li> </ul>
<b>Surface burner flame lifts off ports.</b>	<ul style="list-style-type: none"> <li>• Check to be sure a pan is sitting on the grate above.</li> <li>• Contact an authorized Jenn-Air servicer.</li> </ul>
<b>The flame is uneven.</b>	<ul style="list-style-type: none"> <li>• Burner ports may be clogged.</li> <li>• Flame may need to be adjusted. Contact an authorized Jenn-Air servicer.</li> </ul>
<b>Surface burner flame is yellow in color.</b>	<ul style="list-style-type: none"> <li>• Some yellow tips on the flame are acceptable when using LP gas.</li> <li>• Contact an authorized Jenn-Air servicer.</li> </ul>
<b>Glass-ceramic surface shows wear.</b>	<ol style="list-style-type: none"> <li>1. Tiny scratches or abrasions. <ul style="list-style-type: none"> <li>• Make sure cooktop and pan bottom are clean. Do not slide glass or metal pans across top. Make sure pan bottom is not rough. Use the recommended cleaning agents. See page 8.</li> </ul> </li> <li>2. Metal marks. <ul style="list-style-type: none"> <li>• Do not slide metal pans across top. When cool, clean with Cooktop Cleaning Creme. See page 8.</li> </ul> </li> <li>3. Brown streaks and specks. <ul style="list-style-type: none"> <li>• Remove spills promptly. Never wipe with a soiled cloth or sponge. Make sure cooktop and pan bottom are clean.</li> </ul> </li> <li>4. Areas with a metallic sheen. <ul style="list-style-type: none"> <li>• Mineral deposits from water and food. Use recommended cleaning agents. See page 8.</li> </ul> </li> <li>5. Pitting or flaking. <ul style="list-style-type: none"> <li>• Remove sugary boilovers promptly. See page 8.</li> </ul> </li> </ol>
<b>Ventilation system is not capturing smoke efficiently.</b>	<ul style="list-style-type: none"> <li>• Check on cross ventilation in room or make up air.</li> <li>• Excessive amount of smoke is being created.</li> <li>• Outside wall cap may be trapped shut.</li> <li>• Cooktop may be improperly installed; check ducting information. See pg. 4.</li> </ul>
<b>Burner base has some limited movement.</b>	<p>The burner base and glass interface has been engineered for a lifetime of service. Some limited movement is intended if excessive force is applied.</p> <ul style="list-style-type: none"> <li>• Limit burner movement by holding burner head while cleaning.</li> <li>• Do not use excessive force to clean.</li> <li>• Do not tighten fasteners.</li> <li>• Do not attempt to reorient burner heads.</li> </ul>

---

# JENN-AIR® COOKING APPLIANCE WARRANTY

---

## LIMITED WARRANTY

For one year from the date of purchase, when this major appliance is operated and maintained according to instructions attached to or furnished with the product, Jenn-Air brand of Whirlpool Corporation or Whirlpool Canada LP (hereafter "Jenn-Air") will pay for factory specified parts and repair labor to correct defects in materials or workmanship. Service must be provided by a Jenn-Air designated service company. This limited warranty is valid only in the United States or Canada and applies only when the major appliance is used in the country in which it was purchased. Outside the 50 United States and Canada, this limited warranty does not apply. Proof of original purchase date is required to obtain service under this limited warranty.

---

## SECOND THROUGH FIFTH YEAR LIMITED WARRANTY ON CERTAIN COMPONENT PARTS

In the second through fifth years from the date of purchase, when this appliance is operated and maintained according to instructions attached to or furnished with the product, Jenn-Air will pay for factory specified parts for the following components (if applicable to the product) if defective in materials or workmanship:

- Electric element
  - Touch Pad and microprocessor
  - Glass ceramic cooktop: if due to thermal breakage
  - Electronic controls
  - Magnetron tube
  - Sealed gas burners
- 

## ITEMS EXCLUDED FROM WARRANTY

**This limited warranty does not cover:**

1. Service calls to correct the installation of your major appliance, to instruct you on how to use your major appliance, to replace or repair house fuses, or to correct house wiring or plumbing.
2. Service calls to repair or replace appliance light bulbs, air filters or water filters. Consumable parts are excluded from warranty coverage.
3. Repairs when your major appliance is used for other than normal, single-family household use or when it is used in a manner that is contrary to published user or operator instructions and/or installation instructions.
4. Damage resulting from accident, alteration, misuse, abuse, fire, flood, acts of God, improper installation, installation not in accordance with electrical or plumbing codes, or use of consumables or cleaning products not approved by Jenn-Air.
5. Cosmetic damage, including scratches, dents, chips or other damage to the finish of your major appliance, unless such damage results from defects in materials or workmanship and is reported to Jenn-Air within 30 days from the date of purchase.
6. Any food loss due to refrigerator or freezer product failures.
7. Costs associated with the removal from your home of your major appliance for repairs. This major appliance is designed to be repaired in the home and only in-home service is covered by this warranty.
8. Repairs to parts or systems resulting from unauthorized modifications made to the appliance.
9. Expenses for travel and transportation for product service if your major appliance is located in a remote area where service by an authorized Jenn-Air servicer is not available.
10. The removal and reinstallation of your major appliance if it is installed in an inaccessible location or is not installed in accordance with published installation instructions.
11. Major appliances with original model/serial numbers that have been removed, altered or cannot be easily determined. This warranty is void if the factory applied serial number has been altered or removed from your major appliance.

The cost of repair or replacement under these excluded circumstances shall be borne by the customer.

---

## DISCLAIMER OF IMPLIED WARRANTIES; LIMITATION OF REMEDIES

CUSTOMER'S SOLE AND EXCLUSIVE REMEDY UNDER THIS LIMITED WARRANTY SHALL BE PRODUCT REPAIR AS PROVIDED HEREIN. IMPLIED WARRANTIES, INCLUDING WARRANTIES OF MERCHANTABILITY OR FITNESS FOR A PARTICULAR PURPOSE, ARE LIMITED TO ONE YEAR OR THE SHORTEST PERIOD ALLOWED BY LAW. JENN-AIR SHALL NOT BE LIABLE FOR INCIDENTAL OR CONSEQUENTIAL DAMAGES. SOME STATES AND PROVINCES DO NOT ALLOW THE EXCLUSION OR LIMITATION OF INCIDENTAL OR CONSEQUENTIAL DAMAGES, OR LIMITATIONS ON THE DURATION OF IMPLIED WARRANTIES OF MERCHANTABILITY OR FITNESS, SO THESE EXCLUSIONS OR LIMITATIONS MAY NOT APPLY TO YOU. THIS WARRANTY GIVES YOU SPECIFIC LEGAL RIGHTS, AND YOU MAY ALSO HAVE OTHER RIGHTS WHICH VARY FROM STATE TO STATE OR PROVINCE TO PROVINCE.

---

If outside the 50 United States and Canada, contact your authorized Jenn-Air dealer to determine if another warranty applies.

If you need service, first see the "Troubleshooting" section of the Use & Care Guide. After checking "Troubleshooting," you may find additional help by checking the "Assistance or Service" section or by calling Jenn-Air. In the U.S.A., call **1-800-688-1100**. In Canada, call **1-800-807-6777**.

# TABLE DE CUISSON À GAZ SUR VERRE À ÉVACUATION DESCENDANTE JENN-AIR

## GUIDE D'UTILISATION ET D'ENTRETIEN

### TABLE DES MATIÈRES

Instructions de sécurité importantes .....	13-16
Informations sur les conduits .....	16
Utilisation de la table de cuisson .....	17-20
Entretien et nettoyage .....	21-22
Recherche des pannes .....	23
Garantie et service .....	25
Guía de Uso y Cuidado .....	26

**Installateur :** Remettez ce guide au propriétaire.

**Consommateur :** Lisez le guide et conservez-le pour consultation ultérieure. Conservez la facture d'achat ou le chèque encaissé comme preuve de l'achat.

Numéro de modèle \_\_\_\_\_

Numéro de série \_\_\_\_\_

Date d'achat \_\_\_\_\_

Si vous avez des questions, appelez :

Service à la clientèle de Jenn-Air

1-800-JENNAIR (1-800-536-6247)

(Du lundi au vendredi de 8h-à 20h HNE)

Internet : <http://www.jennair.com>

Dans le cadre de nos pratiques d'amélioration constante de la qualité et de la performance de nos produits de cuisson, des modifications de l'appareil qui ne sont pas mentionnées dans ce guide ont pu être introduites.

**Reportez-vous à la page 25 pour plus d'informations concernant le service après-vente.**

# INSTRUCTIONS DE SÉCURITÉ IMPORTANTES

Les instructions de sécurité importantes et les paragraphes « avertissement » de ce guide ne sont pas destinés à couvrir toutes les conditions et situations qui pourraient se présenter. Il faut faire preuve de bon sens, de prudence et de soin lors de l'installation, de l'entretien ou du fonctionnement de l'appareil.

Prenez toujours contact avec le fabricant en cas de problèmes ou de conditions qui ne seraient pas comprises.

## Reconnaissez les étiquettes, phrases ou symboles sur la sécurité

### AVERTISSEMENT

**AVERTISSEMENT** – Dangers ou pratiques dangereuses qui POURRAIENT résulter en de graves blessures ou même la mort.

### ATTENTION

**ATTENTION** – Dangers ou pratiques dangereuses qui POURRAIENT résulter en des blessures mineures.

**Lisez toutes les instructions avant d'utiliser cet appareil;** observez toutes les instructions pour éliminer les risques d'incendie, choc électrique, dommages matériels et corporels que pourrait susciter une utilisation incorrecte de l'appareil. Utilisez l'appareil uniquement pour les fonctions prévues, décrites dans ce guide.

### **Pour assurer une utilisation appropriée et sécuritaire :**

Seul un technicien qualifié devrait installer l'appareil et le mettre à la terre. Ne réglez pas, réparez ni remplacez un composant, à moins que cela ne soit spécifiquement recommandé dans ce guide. Toute autre réparation doit être effectuée par un technicien qualifié. Demandez à l'installateur de montrer où se trouve le robinet d'arrêt de gaz et comment le fermer en cas d'urgence.

Débranchez toujours l'appareil avant de faire l'entretien.

### AVERTISSEMENT

**Si les directives données dans le présent guide ne sont pas respectées à la lettre, il y a risque d'incendie ou d'explosion pouvant causer des dommages, des blessures et même la mort.**

- **Ne rangez pas ou n'utilisez pas d'essence ou autre vapeur ou liquide inflammable à proximité de cet appareil ou de tout autre appareil.**
- **QUE FAIRE SI VOUS SENTEZ UNE ODEUR DE GAZ :**
  - **Ne mettez aucun appareil en marche.**
  - **Ne touchez pas à un interrupteur électrique.**
  - **N'utilisez aucun téléphone de l'immeuble.**
  - **Rendez-vous chez un voisin et téléphonez immédiatement à la compagnie de gaz. Suivez les directives données par le préposé de la compagnie de gaz.**
  - **S'il est impossible de joindre la compagnie de gaz, téléphonez au service des incendies.**
- **L'installation et les réparations doivent être confiées à un installateur compétent, à une entreprise de service ou à la compagnie de gaz.**

### AVERTISSEMENT

Une fuite de gaz pourrait survenir dans le système et susciter une situation dangereuse. L'odorat peut ne pas suffire pour détecter une fuite de gaz. Les fournisseurs de gaz recommandent l'installation d'un détecteur de gaz (homologation UL). Installez et utilisez le détecteur conformément aux instructions du fabricant.

# INSTRUCTIONS DE SÉCURITÉ IMPORTANTES

## Pour éviter un incendie ou des dommages de fumée

### ATTENTION

**NE** laissez **JAMAIS** des articles sur la table de cuisson. L'air chaud peut les enflammer et mettre également sous pression des contenants fermés qui pourraient alors exploser.

Assurez-vous que tous les matériaux de conditionnement sont retirés de l'appareil avant de le mettre en marche. Gardez les matériaux combustibles, l'essence et autres matières et vapeurs inflammables bien éloignés de l'appareil. Si l'appareil est installé près d'une fenêtre, des précautions appropriées doivent être prises pour éviter que le vent entraîne les rideaux au-dessus des brûleurs.

De nombreux flacons d'aérosol peuvent **EXPLOSER** lorsqu'on les expose à la chaleur, et ils peuvent contenir un produit très inflammable. Évitez d'utiliser ou de remiser un flacon d'aérosol à proximité de l'appareil.

De nombreux articles en plastique peuvent être détériorés par la chaleur. Gardez les plastiques éloignés des pièces de l'appareil pouvant devenir chaudes. Ne laissez pas des articles en plastique sur la table de cuisson; un article en plastique trop proche de l'évent du four ou d'un brûleur allumé pourrait s'amollir ou fondre.

Pour éliminer le besoin d'atteindre quelque chose par-dessus les brûleurs de surface, il est préférable qu'il n'y ait aucune armoire de cuisine directement au-dessus de l'appareil. S'il y a une armoire, vous ne devriez y remiser que des articles peu fréquemment utilisés et capables de résister à la chaleur émise par l'appareil. La température pourrait être excessive pour certains articles, comme les liquides volatils, les produits de nettoyage ou les flacons d'aérosol.

Une faible odeur de gaz peut indiquer une fuite de gaz. Si vous décellez une odeur de gaz, coupez l'alimentation en gaz de votre table de cuisson. Appelez votre installateur ou la compagnie de gaz locale pour vérifier la fuite éventuelle.

**N'utilisez jamais une allumette ou une autre flamme pour repérer une fuite de gaz éventuelle.**

## En cas d'incendie

Interrompez l'alimentation électrique de l'appareil et de la hotte de ventilation pour minimiser la propagation des flammes. Éteignez les flammes, puis mettez la hotte en marche pour évacuer la fumée et l'air vicié.

- Utilisez un couvercle ou une plaque à biscuits pour étouffer les flammes d'un feu qui se déclare dans un ustensile de cuisson.

- **NE** saisissez ou déplacez **JAMAIS** un ustensile de cuisine enflammé.

Ne projetez pas de l'eau sur un feu de graisse. Utilisez du bicarbonate de sodium ou un extincteur à mousse ou produit chimique sec pour éteindre les flammes.

## Sécurité pour les enfants

### ATTENTION

**NE** remisez **JAMAIS** dans une armoire au-dessus d'un appareil des articles auxquels les enfants peuvent s'intéresser. Un enfant qui grimpe sur l'appareil pour atteindre des objets pourrait se blesser gravement.

**NE** laissez **JAMAIS** des enfants seuls ou sans supervision lorsque l'appareil est en service ou encore chaud.

**NE** laissez **JAMAIS** un enfant s'asseoir ou se tenir sur une partie quelconque de l'appareil. Il pourrait se blesser ou se brûler.

Il est important d'enseigner aux enfants que l'appareil et les ustensiles placés dessus peuvent être chauds. Laissez refroidir les ustensiles en un lieu sûr, hors d'atteinte des enfants. Les enfants doivent comprendre que l'appareil n'est pas un jouet et qu'ils ne doivent toucher aucune commande ou autre composant de l'appareil.

## Familiarisation avec l'appareil

### AVERTISSEMENT

**NE JAMAIS** utiliser cet appareil comme appareil de chauffage d'appoint pour chauffer ou réchauffer une pièce. Ceci peut entraîner une asphyxie par oxyde de carbone et une surchauffe du four.

**NE JAMAIS** obturer les fentes, ouïes ou ouvertures avec par exemple une feuille d'aluminium. Ceci empêche l'air de circuler, ce qui pourrait entraîner une asphyxie par oxyde de carbone. La feuille d'aluminium pourrait aussi emprisonner la chaleur, d'où risque d'incendie.

**NE JAMAIS** couper la circulation de l'air d'aération ou de combustion en obturant les événements ou les arrivées d'air. Ceci réduit la quantité d'air nécessaire aux brûleurs et pourrait entraîner une asphyxie par oxyde de carbone.

**Ne pas** remiser des aliments ou ustensiles de cuisine sur la surface de cuisson.

Surfaces potentiellement chaudes: surface de cuisson, zones faisant face à la surface de cuisson.

# INSTRUCTIONS DE SÉCURITÉ IMPORTANTES

## Cuisson et sécurité

Placez toujours un ustensile sur un brûleur de surface avant de l'allumer. Veillez à bien connaître la correspondance entre les boutons de commande et les brûleurs. Veillez à allumer le bon brûleur et vérifiez que le brûleur s'allume effectivement. À la fin de la période de cuisson, éteignez le brûleur avant de retirer l'ustensile, pour éviter une exposition aux flammes du brûleur.

Veillez à toujours ajuster correctement la taille des flammes pour qu'elles ne dépassent pas sur les côtés de l'ustensile. Des flammes de trop grande taille sur un brûleur sont dangereuses, elles entraînent un gaspillage d'énergie et elles peuvent faire subir des dommages à l'ustensile, à l'appareil ou au placard situé au-dessus.

**NE** laissez **JAMAIS** un brûleur de surface allumé sans surveillance, particulièrement avec une puissance de chauffage élevée ou lors d'une opération de friture. Un débordement pourrait provoquer la formation de fumée et des produits gras pourraient s'enflammer. Éliminez dès que possible les produits gras renversés. N'utilisez pas une puissance de chauffage élevée pendant une période prolongée.

**NE** chauffez **JAMAIS** un contenant non ouvert sur un brûleur de surface. L'accumulation de pression dans le récipient pourrait provoquer son éclatement et de graves dommages matériels ou corporels.

Utilisez des maniques robustes et sèches. Des maniques humides peuvent provoquer la formation de vapeur brûlante. N'utilisez jamais un torchon à vaisselle ou autre article textile à la place de maniques; un tel article pourrait traîner sur un brûleur et s'enflammer ou accrocher un composant de l'appareil.

Laissez toujours refroidir un récipient d'huile de friture chaude avant de tenter de le déplacer et le manipuler.

Ne laissez pas la graisse de cuisson ou autre matériau inflammable s'accumuler dans ou près de l'appareil, de la hotte ou du ventilateur. Nettoyez fréquemment la hotte pour empêcher toute accumulation sur la hotte elle-même ou sur le filtre. Lors du flambage d'aliments sous la hotte, mettez le ventilateur en marche.

**NE** portez **JAMAIS**, lors de l'utilisation de l'appareil, des vêtements faits d'un matériau inflammable, amples ou à manches longues. De tels vêtements peuvent s'enflammer ou accrocher la poignée d'un ustensile.

**NE** bloquez **JAMAIS** l'évacuation d'air avec un ustensile, une manique ou tout autre objet lorsque le ventilateur est en marche. Cela réduirait grandement l'efficacité de la table de cuisson.

## Surface de cuisson en vitrocéramique

**N'**utilisez **JAMAIS** une table de cuisson cassée. Les solutions de nettoyage et débordements pourraient pénétrer dans la surface de cuisson et donc entraîner un risque de choc électrique. Prenez immédiatement contact avec un technicien qualifié.

Nettoyez prudemment la table de cuisson. Certains produits de nettoyage peuvent générer des vapeurs nocives lorsqu'on les applique sur une surface chaude. Si vous utilisez un linge, une éponge humide ou du papier essuie-tout sur une surface de cuisson chaude, faites preuve de prudence afin d'éviter de vous brûler par la vapeur.

Ne vous mettez jamais debout sur la surface de cuisson.

## Ustensiles et sécurité

Utilisez des ustensiles à fond plat comportant une poignée que vous pouvez facilement saisir et qui reste froide. Évitez d'utiliser un ustensile instable ou déformé, qui pourrait facilement basculer, ou dont la poignée est mal fixée. Évitez également d'utiliser des ustensiles de petite taille comportant une ou des poignées lourdes; ces ustensiles sont généralement instables et peuvent facilement basculer. Un ustensile lourd lorsqu'il est rempli peut également être dangereux lors des manipulations.

Veillez à utiliser un ustensile de taille suffisante pour que le contenu ne risque pas de déborder. Ceci est particulièrement important pour un ustensile rempli d'huile de friture. Vérifiez que la taille de l'ustensile est suffisante pour qu'il puisse recevoir les produits alimentaires à cuire, et absorber l'augmentation de volume suscitée par l'ébullition de la graisse.

Pour minimiser les risques de brûlure, d'inflammation de matières et de renversement par contact non intentionnel avec un ustensile, n'orientez pas la poignée d'un ustensile vers un brûleur adjacent. Orientez toujours la poignée d'un ustensile vers le côté ou l'arrière de l'appareil; ne laissez pas non plus la poignée d'un ustensile dépasser à l'avant de l'appareil, où un jeune enfant pourrait facilement la saisir.

Veillez à ne jamais laisser le contenu liquide d'un ustensile s'évaporer complètement; l'ustensile et l'appareil pourraient subir des dommages.

Seuls certains types de verre, vitrocéramique, céramique, ou certains ustensiles vitrifiés/émaillés peuvent être utilisés sur la table de cuisson sans risque de bris sous l'effet du choc thermique. Observez les instructions du fabricant lors de l'utilisation d'un ustensile en verre.

La sécurité de fonctionnement de cet appareil a été testée à l'aide d'ustensiles de cuisine conventionnels. N'utilisez pas un ustensile ou accessoire qui n'est pas spécifiquement recommandé dans ce guide. Ne mettez pas de couvercles sur



# INSTRUCTIONS DE SÉCURITÉ IMPORTANTES

les éléments de surface ni de gril. L'utilisation d'un dispositif ou accessoire qui n'est pas expressément recommandé dans ce guide peut entraîner de graves dangers, dégrader la performance de l'appareil, ou réduire la longévité de ses composants.

## Nettoyage et sécurité

Arrêtez toutes les commandes et attendez le refroidissement de tous les composants avant de les toucher ou d'entreprendre le nettoyage. Ne touchez pas la grille d'un brûleur ou la zone voisine avant que ces composants aient pu refroidir suffisamment.

Exercez une grande prudence lors du nettoyage de l'appareil. Travaillez prudemment pour éviter des brûlures par la vapeur en cas d'utilisation d'un chiffon ou d'une éponge humide lors de l'élimination d'un produit renversé sur une surface chaude. Certains produits de nettoyage peuvent générer des vapeurs nocives lorsqu'on les applique sur une surface chaude.

## Avertissement et avis important pour la sécurité

En vertu de la California Safe Drinking Water and Toxic Enforcement Act de 1986 (Proposition 65), le gouverneur de la Californie doit publier une liste des substances qui, selon l'état de la Californie, causent le cancer ou présentent un risque pour la reproduction. En outre, les entreprises doivent avertir leurs clients de l'exposition potentielle à de telles substances.

Les utilisateurs de cet appareil peuvent être exposés à une faible concentration de certaines substances figurant dans la liste mentionnée ci-dessus, dont benzène, formaldéhyde et suie, du fait de la combustion incomplète du gaz naturel ou du gaz de pétrole liquéfié. Pour minimiser la combustion incomplète, veillez à ce que les brûleurs soient parfaitement réglés. Pour minimiser l'exposition à ces substances, veillez à bien évacuer les gaz de combustion à l'extérieur.

**AVIS IMPORTANT - OISEAUX FAMILIERS :** Ne gardez pas un oiseau familier dans la cuisine ou dans une pièce où il pourrait être exposé aux fumées. Les oiseaux ont un système respiratoire très sensible. Les vapeurs qui s'échappent d'un four pendant le cycle autonettoyant peuvent leur être nocives ou même fatales. De plus, les vapeurs qui s'échappent lorsque l'huile de cuisson, les corps gras, la margarine et les poêles ou marmites à revêtement antiadhésif sont surchauffés peuvent également être nocives.

## Raccordement électrique

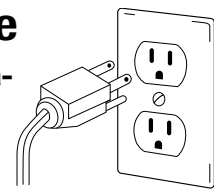
Les appareils nécessitant une alimentation électrique comportent une fiche à trois broches mise à la terre

qui doit être branchée directement dans une prise de 120 volts à trois cavités et correctement mise à la terre.

*Débranchez toujours l'appareil avant de faire l'entretien.*

La fiche à trois broches mise à la terre fournit une protection contre les décharges électriques. **NE COUPEZ PAS NI ENLEVEZ LA BROCHE DE TERRE DU CORDON D'ALIMENTATION.**

Si la prise ne comporte que deux cavités, n'est pas mise à la terre ou n'est pas appropriée, **le propriétaire de l'appareil a la responsabilité de faire remplacer la prise par une prise à trois cavités correctement mise à la terre.**



## Informations sur les conduits

Le système de ventilation de Jenn-Air est conçu pour capter les vapeurs et fumées de cuisson émanant de la surface de cuisson. Voici cependant quelques précisions sur l'installation à vérifier :

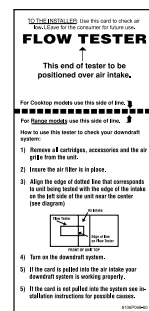
- Conduit rond de 6 po (15,24 cm) de diamètre ou rectangulaire de 3 1/4 po (8,26 cm) x 10 po (25,4 cm) à utiliser pour des longueurs de conduit de 10 pi à 60 pi (3 à 18 m).

**Remarque :** Utilisez un conduit rond de 5 po (12,7 cm) de diamètre si ce conduit a moins de 10 pi (3 m) de longueur.

- N'utilisez pas plus de trois coudes de 90°. La distance entre ces coudes doit être au moins de 18 po (45 cm).
- La bouche d'aération Jenn-Air recommandée **DOIT** être utilisée. Assurez-vous que le clapet fonctionne bien lorsque la ventilation est en marche.
- Il doit y avoir un dégagement minimal de 6 po (15,24 cm) lorsque la table de cuisson est installée près d'un mur latéral.
- Il doit y avoir un dégagement minimal de 12 po (30,5 cm) entre le bas de la bouche d'aération et le sol.

S'il n'y a aucune évidence d'une installation impropre, il peut cependant y avoir un problème dissimulé comme un joint coincé, une obstruction dans le conduit, etc. L'installation est à la charge de l'installateur et toute question doit être d'abord traitée par l'installateur. L'installateur doit vérifier très soigneusement les instructions d'installation des conduits.

- Utilisez la carte d'essai d'écoulement fournie avec votre appareil pour vérifier le débit d'air.



**Conservez ces instructions pour consultation ultérieure**

# UTILISATION DE LA TABLE DE CUISSON

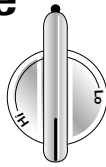
## Commandes de la surface de cuisson

### ATTENTION

- Si un brûleur s'éteint durant une opération de cuisson, fermez l'arrivée de gaz au brûleur. Si une forte odeur de gaz est perceptible, ouvrez une fenêtre et attendez cinq minutes avant d'allumer de nouveau le brûleur.
- Avant d'ouvrir l'arrivée de gaz à la table de cuisson, vérifiez que chaque bouton de commande est sur la position **OFF (ARRÊT)**.
- **NE** touchez **JAMAIS** la surface de cuisson avant qu'elle ne se soit complètement refroidie. Certaines zones de la surface, particulièrement au voisinage des brûleurs, peuvent devenir très chaudes durant une cuisson. Utilisez des maniques.

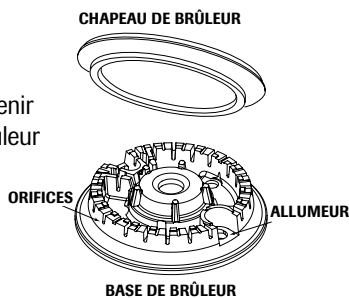
## Boutons de commande de la surface de cuisson

Utilisez ces boutons pour commander l'allumage des brûleurs de surface. Vous pouvez régler chaque bouton à toute position entre les positions extrêmes **Lo (Min.)** et **Hi (Max.)**. Vous pouvez percevoir une détente de calage à la position **HI (Max.)**.



## Allumage sans flamme de veille

Le dispositif d'allumage ne fait intervenir aucune flamme de veille. Chaque brûleur de la table de cuisson comporte un allumeur par étincelle. Travaillez prudemment lors du nettoyage autour des brûleurs de la table de cuisson.



Si un brûleur de la table de cuisson ne s'allume pas, déterminez si l'allumeur est brisé, souillé ou mouillé.

## Réallumage par détection de flamme Flame-Sensing<sup>MC</sup>

Votre table de cuisson comporte des brûleurs à gaz scellés à réallumage automatique. Si la flamme d'un brûleur s'éteint, le système produit automatiquement des étincelles pour réallumer le brûleur (tous les allumeurs produisent des étincelles quel que soit le brûleur dont la flamme s'est éteinte). Cependant, seul le brûleur choisi se réallume. Si des étincelles se produisent par intermittence, augmentez la flamme (tournez le bouton vers la droite) jusqu'à ce que le cliquetis (étincelle) cesse.


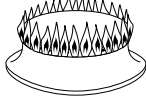
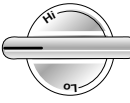
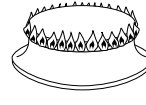
## Réglage des commandes

Votre table de cuisson comporte des brûleurs à gaz scellés à préallumage automatique. Si la flamme du brûleur devait s'éteindre, le système produirait automatiquement des étincelles, pour réallumer le brûleur.

1. Placez un ustensile sur la grille du brûleur. (Pour préserver la fini des grilles, ne faites pas fonctionner les brûleurs sans ustensile dessus pour absorber la chaleur des flammes.)
2. Appuyez sur le bouton et tournez-le immédiatement dans le sens anti-horaire, jusqu'à la position désirée.
  - Vous pouvez percevoir le cliquetis correspondant à la production des étincelles et le brûleur s'allume. (Tous les allumeurs produisent des étincelles quel que soit le bouton de brûleur allumé. Cependant, seul le brûleur choisi s'allumera.)

## Suggestions pour le réglage

La puissance de chauffage à employer dépend du type et de la taille de l'ustensile utilisé.

RÉGLAGES	UTILISATIONS
 	Utilisez le réglage <b>Hi (Max.)</b> pour porter un liquide à ébullition ou atteindre la bonne pression dans un autocuiseur. Réduisez ensuite la puissance de chauffage après le début de l'ébullition ou de la cuisson des aliments.  Une puissance de chauffage intermédiaire est utilisée pour la poursuite de la cuisson. Les aliments ne cuisent pas plus rapidement si vous utilisez une puissance de chauffage plus élevée que nécessaire pour le maintien d'une douce ébullition. L'eau bout toujours à la même température, que l'ébullition soit tranquille ou vigoureuse.
 	Utilisez le réglage <b>Lo (Min.)</b> pour le mijotage ou le maintien de la température d'un mets, ou pour la fusion de chocolat ou beurre.  Lorsque le plat ou l'ustensile est couvert, un début de cuisson peut se produire avec la puissance de chauffage <b>Lo (Min.)</b> . Pour réduire la puissance de chauffage, tournez le bouton à la position <b>OFF</b> . Vérifiez la stabilité des flammes sur le brûleur.

# UTILISATION DE LA TABLE DE CUISSON

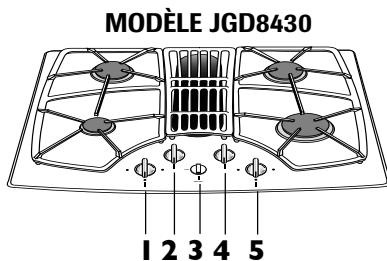
## Utilisation durant une panne d'électricité

1. Approchez une allumette enflammée du brûleur à utiliser.
2. Enfoncez et faites tourner lentement le bouton de commande jusqu'à la position voulue.

### ATTENTION

- Avant d'allumer un brûleur de surface, vérifiez que tous les boutons de commande sont à la position **OFF (ARRÊT)**. Approchez l'allumette enflammée du brûleur avant de faire tourner le bouton .
- **Ne laissez pas** la table de cuisson sans surveillance lors de la cuisson pendant une panne de courant. Le réallumage automatique ne fonctionne pas lors d'une panne de courant.

## Coup d'œil sur la table de cuisson



1. Brûleur avant gauche (5 000 BTU sur réglage max., 900 BTU sur réglage min.).
2. Brûleur arrière gauche (10 500 BTU).
3. Commande de ventilateur
4. Brûleur arrière droit (9 200 BTU).
5. Brûleur avant droit (15 000 BTU).

## Brûleurs scellés

Les brûleurs scellés sont fixés à la table de cuisson; ils ne sont pas conçus pour être enlevés. Comme les brûleurs sont scellés dans la table de cuisson, un produit qui déborde d'un ustensile ne s'infiltrera pas sous la table de cuisson.

Vous devriez cependant nettoyer les brûleurs après chaque utilisation. La tête du brûleur s'enlève facilement pour être nettoyée. (Voyez les instructions de nettoyage à la page 21.)

Les chapeaux des brûleurs doivent être correctement placés sur la base de brûleur pour le bon fonctionnement du brûleur.

## Brûleur de haute puissance\*

Votre table de cuisson est dotée d'un brûleur à haute vitesse, situé à l'avant droit. Ce brûleur permet une cuisson à vitesse plus rapide, utile pour faire bouillir rapidement de l'eau ou cuire une grande quantité d'aliments.

L'ébullition avec le brûleur de haute performance est meilleure si le ventilateur à évacuation descendante est arrêté. Une fois que l'ébullition commence, remettez le ventilateur en marche pour capter la vapeur, au besoin .

## Brûleur de mijotage\*

Ce brûleur est situé à l'avant gauche. Sa puissance plus faible en BTU permet de :

- Maintenir au chaud les sauces délicates.
- Faire fondre du beurre ou du chocolat.

La performance « fusion et maintien » de ce brûleur peut être améliorée en mettant le ventilateur en marche.

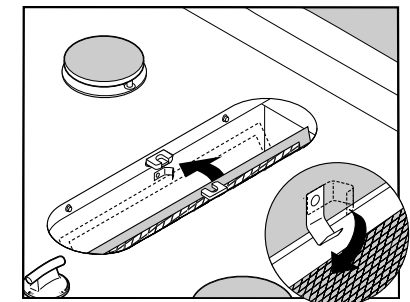
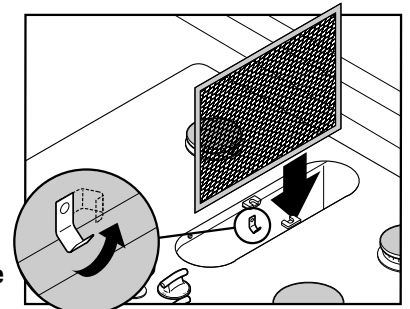
Toujours maintenir les aliments aux températures appropriées. L'USDA recommande que les températures soient situées entre 60 et 77 °C (140 et 170 °F).

\* La puissance thermique (BTU) des brûlés est différente lors de l'alimentation au gaz de pétrole liquéfié.

## Filtre à graisse

Installez le filtre à graisse selon l'illustration. N'utilisez pas l'appareil sans avoir d'abord installé le filtre.

**IMPORTANT : Ne faites pas fonctionner le système sans le filtre. Placez toujours le filtre en position inclinée.** Lorsque vous êtes en face de la table de cuisson, le haut du filtre doit se trouver contre la gauche de l'évent. Le bas du filtre doit se trouver contre la droite de la chambre d'extraction, dans la partie inférieure.



**Remarque :** Si le filtre est à plat contre la paroi du ventilateur, l'efficacité de l'extraction est réduite.

## Grilles de brûleur

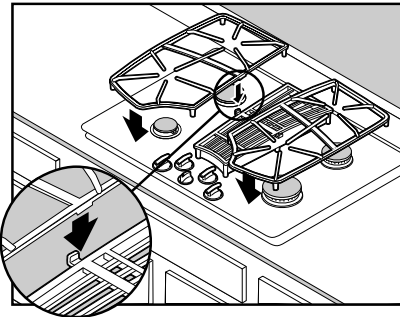
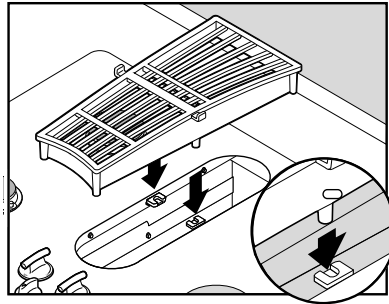
Avant une opération de cuisson, vérifiez que la grille est correctement placée. Une grille de brûleur incorrectement installée peut écailler la surface de cuisson. Pour bien placer les grilles, introduisez la grille d'air centrale en premier. Assurez-vous que les pieds inférieurs se logent dans les emplacements de positionnement à l'intérieur de la cavité du filtre.

# UTILISATION DE LA TABLE DE CUISSON

Ensuite, installez les grilles droite et gauche de sorte que le tenon de la grille se place au-dessus de la languette de la grille d'air centrale.

**Ne faites pas fonctionner un brûleur sans qu'un ustensile soit placé sur la grille. L'émail de la grille peut s'écailler s'il n'y a aucun ustensile capable d'absorber la chaleur émise par le brûleur.**

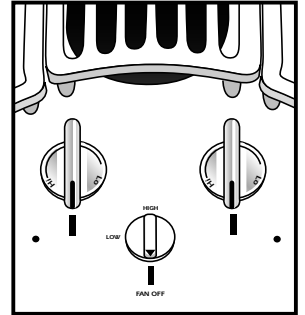
Même si les grilles sont très durables, elles finissent par perdre leur éclat ou se décolorent à cause de la température élevée des flammes.



## Système de ventilation

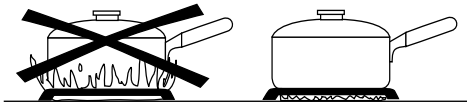
Le système de ventilation incorporé enlève les vapeurs, les odeurs et la fumée émanant de la nourriture préparée sur la surface de cuisson.

- Pour faire fonctionner le système de ventilation, tournez le bouton du ventilateur situé au centre avant de la grille d'air, dans le sens horaire vers **Low (bas)** ou **High (élevé)**.
- Le ventilateur peut être utilisé pour extraire les odeurs fortes de la cuisine comme lorsque vous coupez les oignons.
- Ne bloquez jamais l'évacuation d'air lorsque le ventilateur est en marche.



## Remarques

- Un brûleur convenablement réglé et dont les orifices sont propres s'allume en quelques secondes. Lors de l'alimentation au gaz naturel, les flammes sont bleues, avec un cône interne bleu intense.  
Si les flammes d'un brûleur sont jaunes ou si la combustion est bruyante, le ratio air/gaz peut être incorrect. Demandez à un technicien d'effectuer le réglage. (La garantie ne couvre pas ce réglage.)  
Lors de l'alimentation au gaz de pétrole liquéfié, il est acceptable que l'extrémité des flammes soit jaune. Ceci est normal; aucun réglage n'est nécessaire.
- Avec certains types de gaz, vous pouvez percevoir un petit bruit d'explosion lors de l'extinction d'un brûleur de surface. Ceci est normal.
- Pour améliorer l'efficacité de la cuisson et pour éviter d'endommager la table de cuisson ou l'ustensile, vous devez régler la flamme de sorte qu'elle ne dépasse pas du bord de l'ustensile.



# UTILISATION DE LA TABLE DE CUISSON

## Surface de cuisson en vitrocéramique

### Remarques

- Lors des premières utilisations de la table de cuisson, celle-ci peut émettre un peu de fumée et des odeurs. Ceci est normal.
- La surface en vitrocéramique peut sembler changer de couleur lorsqu'elle est chaude. Ceci est normal et disparaît une fois que la surface refroidit.
- La surface de cuisson en vitrocéramique demeure chaude pendant quelque temps après l'extinction de l'appareil.
- Ne tentez pas de soulever la table de cuisson.

## Conseils de protection de la surface en vitrocéramique

- Avant de s'en servir la première fois, nettoyez la table de cuisson. (Voyez Nettoyage à la page 22.)
- Ne laissez pas fondre de plastique, de sucre ni d'aliments riches en sucre sur la table de cuisson. Si cela se produisait accidentellement, nettoyez immédiatement. (Voyez Nettoyage à la page 22.)
- N'utilisez jamais la table de cuisson comme surface de travail ou comme planche à découper.
- Ne glissez pas de récipients métalliques sur la table de cuisson brûlante. Ils pourraient laisser sur le verre des marques qui sont difficiles à enlever ou qui sont permanentes. Ces marques doivent être nettoyées immédiatement. (Voyez Nettoyage à la page 22.)
- Pour empêcher que la surface de cuisson en vitrocéramique ne se trouve rayée ou abîmée, n'y laissez pas de sucre, de sel ou de graisse. Prenez l'habitude d'essuyer la surface de cuisson avec un linge propre ou un essuie-tout avant de l'utiliser.
- N'utilisez jamais de linge ou d'éponge sale pour nettoyer la table de cuisson. Ils laisseraient un film, ce qui pourrait tacher la surface de cuisson lorsqu'elle est utilisée.
- N'utilisez pas de récipients en aluminium. L'aluminium risque de fondre sur le verre. Si le métal fond sur la table de cuisson, ne l'utilisez pas. Appelez un réparateur agréé Jenn-Air.
- Ne laissez pas les produits renversés sur la table de cuisson ou sur la garniture de la table de cuisson pendant une longue durée.
- N'utilisez pas de poudre de nettoyage abrasive ou de tampons à récurer qui rayeraient la surface.
- N'utilisez pas de javellisant, ammoniac ou autres produits de nettoyage non spécifiquement recommandés pour la vitrocéramique.
- Nettoyez la surface en vitrocéramique après chaque utilisation pour préserver son aspect.

# ENTRETIEN ET NETTOYAGE

## Marches à suivre

### ATTENTION

- Assurez-vous que l'appareil est arrêté et que toutes les pièces ont refroidi avant toute manipulation ou nettoyage. Ceci permettra d'éviter brûlures et dégâts.
- Pour éviter la formation de taches ou un changement de couleur, nettoyez l'appareil après chaque utilisation.
- Après tout démontage de composants, veillez à effectuer un remontage correct.

\* Les noms de marque des produits de nettoyage sont des marques déposées des différents fabricants.

\*\* Pour commander directement, composez le 1-800-JENNAIR (1-800-536-6247) aux É.-U. et Canada.

PIÈCES	NETTOYAGE
<b>Grilles de brûleur - Porcelaine sur fonte</b>	<ul style="list-style-type: none"><li>• Laissez les grilles refroidir. Enlevez d'abord les grilles de droite et de gauche.</li><li>• Lavez les grilles avec de l'eau savonneuse tiède et un tampon à récurer en plastique non abrasif. Pour les taches rebelles, nettoyez avec un tampon non abrasif, rempli de savon ou avec une éponge et la crème de nettoyage pour table de cuisson (pièce n° 20000001)**. Si les grilles sont toujours sales, réappliquez de la crème de nettoyage, recouvrez d'un essuie-tout humide et laissez agir pendant 30 minutes. Frottez à nouveau, rincez et faites sécher.</li><li>• Ne nettoyez pas dans le lave-vaisselle ou le four autonettoyant.</li><li>• Remettez les grilles en place en commençant par la grille d'air.</li></ul>
<b>Chapeaux de brûleur et brûleurs à gaz scellés</b>	<p><b>Chapeaux de brûleur amovibles</b></p> <ul style="list-style-type: none"><li>• Laissez le brûleur refroidir. Enlevez le chapeau de brûleur pour le laver dans de l'eau savonneuse avec un tampon à récurer en plastique. Pour les taches rebelles, nettoyez avec un tampon non abrasif, rempli de savon ou avec une éponge et la crème de nettoyage pour table de cuisson (pièce n° 20000001)**.</li><li>• Ne nettoyez pas dans le lave-vaisselle ou le four autonettoyant.</li></ul> <p><b>Brûleurs à gaz scellés</b></p> <ul style="list-style-type: none"><li>• Nettoyez après chaque utilisation. Laissez le brûleur refroidir. Nettoyez avec du savon et un tampon à récurer en plastique. Pour les taches rebelles, nettoyez avec un tampon savonneux et non abrasif.</li><li>• Veillez à ne pas laisser de l'eau s'introduire dans le centre du brûleur.</li><li>• Travaillez prudemment lors du nettoyage de l'allumeur. Si l'allumeur est endommagé ou mouillé, les brûleurs de la table de cuisson ne pourront pas s'allumer.</li><li>• Pour assurer des performances de cuisson uniformes, les orifices des brûleurs doivent être exempts de débris et de restes de nourriture.</li></ul>
<b>Boutons de commande</b>	<ul style="list-style-type: none"><li>• Placez chaque bouton sur la position ARRÊT, et retirez chaque bouton en le tirant vers le haut. N'ôtez pas le joint sous le bouton.</li><li>• Lavez, rincez et faites sécher. N'utilisez pas un agent de nettoyage abrasif susceptible de rayer la finition.</li><li>• Faites fonctionner brièvement chaque brûleur pour vérifier que le bouton a été correctement réinstallé.</li><li>• Ne les nettoyez pas au lave-vaisselle.</li></ul>

suite...

# ENTRETIEN ET NETTOYAGE

PIÈCES	NETTOYAGE
<b>Table de cuisson – vitrocéramique</b>	<p><i>N'utilisez jamais de produits de nettoyage du four, javellisant, ammoniacque ou produits de nettoyage du verre contenant de l'ammoniaque. <b>REMARQUE</b> : Prenez contact avec un réparateur agréé si la surface en vitrocéramique se fendille, se casse ou si de l'aluminium ou du métal fond sur la surface.</i></p> <ul style="list-style-type: none"> <li>• <b>Laissez la table de cuisson refroidir avant de la nettoyer.</b></li> <li>• <b>Généralités</b> -- Nettoyez la table de cuisson après chaque utilisation, avec un essuie-tout humide et de la crème de nettoyage pour table de cuisson (pièce n° 20000001)**. Puis, essuyez avec un linge sec et propre. <b>REMARQUE</b> : Des marques permanentes vont se produire si la saleté reste sur la surface de cuisson et est cuite de façon répétée.</li> <li>• <b>Saletés épaisses ou marques de métal</b> -- Humidifiez une éponge récurée qui ne raye pas. Appliquez de la crème de nettoyage pour table de cuisson* (pièce n° 20000001)** et frottez pour retirer autant de saleté que possible. Appliquez une mince couche de crème sur la saleté, recouvrir avec du papier essuie-tout humidifié et laissez pendant 30 à 45 minutes (2 à 3 heures pour la saleté très importante). Gardez humide en recouvrant l'essuie-tout d'une pellicule plastique. Frottez à nouveau, puis essuyez avec un linge propre et sec. <b>REMARQUE</b> : <b>N'utilisez qu'un tampon à récurer « ne rayant pas », PROPRE ET HUMIDE, sans danger pour les ustensiles de cuisine à revêtement antiadhésif. Le verre et le motif seront endommagés si le tampon n'est pas humide, s'il est souillé ou si un autre type de tampon est utilisé.</b></li> <li>• <b>Saletés cuites ou desséchées</b> -- Frottez avec un tampon à récurer « ne rayant pas » et une crème de nettoyage pour table de cuisson*. Tenez une lame de rasoir à un angle de 30° et grattez pour enlever toute saleté. Puis, nettoyez comme il est décrit ci-dessus.</li> <li>• <b>Plastic ou sucre fondu</b> -- Mettez immédiatement le brûleur à l'arrêt et laissez-le refroidir. Nettoyez le résidu avec un grattoir à lame de rasoir et de la crème de nettoyage pour table de cuisson*.</li> </ul> 
<b>Table de cuisson - Acier inoxydable</b> (certains modèles)	<ul style="list-style-type: none"> <li>• <b>N'UTILISEZ PAS DE PRODUITS DE NETTOYAGE CONTENANT DU JAVELLISANT.</b></li> <li>• <b>LORS DU NETTOYAGE, ESSUYEZ TOUJOURS DANS LE SENS DU GRAIN.</b></li> <li>• <b>N'UTILISEZ PAS DE NETTOYANTS ABRASIFS OU À BASE D'ORANGE.</b></li> <li>• <b>Nettoyage journalier/saleté légère</b> -- Essuyez avec l'un des produits suivants : eau savonneuse, vinaigre blanc/eau, produit de nettoyage pour verre et surface Formula 409* ou un produit semblable pour verre - avec un linge souple et une éponge. Rincez et séchez. Pour polir et enlever les marques de doigts, faites suivre par une vaporisation de Magic Spray pour acier inoxydable* (pièce n° 20000008)**.</li> <li>• <b>Saleté modérée/épaisse</b> -- Essuyez avec l'un des produits suivants : Bon Ami*, Smart Cleanse* ou Soft Scrub* - à l'aide d'un linge souple ou d'une éponge humide. Rincez et séchez. Les taches rebelles peuvent être enlevées avec un tampon Scotch-Brite* humidifié et en frottant dans le sens du grain. Rincez et séchez. Pour retirer les marques et redonner du lustre, faites suivre par une vaporisation de Magic Spray pour acier inoxydable*.</li> <li>• <b>Décoloration</b> -- À l'aide d'un linge souple ou d'une éponge humide, essuyez avec le produit de nettoyage pour acier inoxydable Cameo*. Rincez immédiatement et séchez. Pour retirer les marques et redonner du lustre, faites suivre par une pulvérisation de produit pour acier inoxydable Magic Spray*.</li> </ul>
<b>Chambre d'extraction et de la chambre du filtre</b>	<ul style="list-style-type: none"> <li>• <b>Grille d'air</b> : La grille d'air s'enlève facilement. Essuyez-la ou lavez-la dans l'évier avec un détergent domestique doux. Pour ne pas rayer la surface, n'utilisez pas de nettoyants abrasifs ni de tampons récurveurs.</li> <li>• <b>Filtre</b> : Mettez le système d'extraction à l'arrêt avant de retirer le filtre. Celui-ci est d'un type permanent et doit être nettoyé quand il est sale. Nettoyez-le dans l'évier avec de l'eau tiède et du détergent.</li> <li>• <b>Chambre d'extraction</b> : Nettoyez la zone où se loge le filtre à la suite d'un déversement ou lorsqu'elle est encrassée par la graisse. Utilisez un essuie-tout, une éponge ou un chiffon humide avec un nettoyant ou détergent domestique doux.</li> </ul>

\* Les noms de marque des produits de nettoyage sont des marques déposées des différents fabricants.

\*\* Pour commander directement, composez le 1-800-JENNAIR (1-800-536-6247) aux É.-U. et Canada.

# RECHERCHE DES PANNES

PROBLÈME	SOLUTION
<b>Un brûleur de surface ne s'allume pas.</b>	<ul style="list-style-type: none"><li>• Vérifiez si l'appareil est bien branché.</li><li>• Inspectez/réarmez le disjoncteur. Inspectez/remplacez les fusibles.</li><li>• Vérifiez l'alimentation électrique.</li><li>• Vérifiez que le brûleur correspond au type de gaz utilisé.</li><li>• Vérifiez que les orifices d'allumage ou des brûleurs ne sont pas obstrués.</li><li>• Vérifiez que l'allumeur est sec et qu'il émet des étincelles. Le brûleur ne peut s'allumer si l'allumeur est endommagé, souillé ou mouillé. Si l'allumeur ne génère pas d'étincelles, ramenez le bouton de commande à la position OFF (ARRÊT).</li><li>• Vérifiez que le chapeau de brûleur est bien assis sur la base de brûleur.</li></ul>
<b>La flamme du brûleur s'éloigne des orifices.</b>	<ul style="list-style-type: none"><li>• Assurez-vous qu'un ustensile repose sur la grille.</li><li>• Appelez un réparateur agréé Jenn-Air.</li></ul>
<b>Flammes non uniformes.</b>	<ul style="list-style-type: none"><li>• Orifices du brûleur obstrués.</li><li>• Il peut être nécessaire d'ajuster la flamme. Appelez un réparateur agréé Jenn-Air.</li></ul>
<b>La flamme du brûleur est jaune.</b>	<ul style="list-style-type: none"><li>• Quelques pointes jaunes sur une flamme sont acceptables avec le GPL.</li><li>• Appelez un réparateur agréé Jenn-Air.</li></ul>
<b>La surface vitrocéramique révèle des signes d'usure.</b>	<ol style="list-style-type: none"><li>1. Fines rayures ou abrasions.<ul style="list-style-type: none"><li>• Assurez-vous que la surface de cuisson et le fond des ustensiles sont propres. Ne faites pas glisser d'ustensiles en verre ou en métal sur la surface. Assurez-vous que le fond des ustensiles n'est pas rugueux. Utilisez les agents de nettoyage recommandés. Voyez page 22.</li></ul></li><li>2. Marques de métal.<ul style="list-style-type: none"><li>• Ne faites pas glisser d'ustensiles métalliques sur la surface. Une fois la surface refroidie, nettoyez-la avec la crème de nettoyage pour table de cuisson. Voyez page 22.</li></ul></li><li>3. Marques et taches brunes.<ul style="list-style-type: none"><li>• Enlevez rapidement les produits renversés. N'essayez jamais la surface avec une éponge ou un linge sali. Assurez-vous que la table de cuisson et le fond des ustensiles sont propres.</li></ul></li><li>4. Zones avec reflet métallique.<ul style="list-style-type: none"><li>• Dépôts minéraux en provenance de l'eau et de la nourriture. Utilisez les agents de nettoyage recommandés. Voyez page 22.</li></ul></li><li>5. Piqûres ou écailllements.<ul style="list-style-type: none"><li>• Enlevez rapidement les produits sucrés qui ont débordé. Voyez page 22.</li></ul></li></ol>
<b>Le système de ventilation ne capte pas la fumée efficacement.</b>	<ul style="list-style-type: none"><li>• Vérifiez la ventilation croisée de l'air de la pièce ou l'air de renouvellement.</li><li>• Production excessive de fumée.</li><li>• Le clapet de la bouche d'aération est peut être coincé.</li><li>• La table de cuisson est peut être incorrectement installée; vérifiez les informations sur les conduits. Voyez page 16.</li></ul>
<b>La base des brûleurs présente un jeu réduit.</b>	<p>La base des brûleurs et l'interface avec le verre ont été conçues pour durer. Il est prévu un jeu réduit en cas de force excessive.</p> <ul style="list-style-type: none"><li>• Limitez le jeu du brûleur en tenant la tête de brûleur lors de son nettoyage.</li><li>• Ne nettoyez pas trop vigoureusement.</li><li>• Ne serrez pas les fixations.</li><li>• N'essayez pas de modifier l'orientation des têtes de brûleur.</li></ul>



# **REMARQUES**

---

# GARANTIE DES APPAREILS DE CUISSON JENN-AIR®

## GARANTIE LIMITÉE

Pendant un an à compter de la date d'achat, lorsque ce gros appareil ménager est utilisé et entretenu conformément aux instructions jointes à ou fournies avec le produit, Jenn-Air, marque de Whirlpool Corporation ou Whirlpool Canada LP (ci-après désignées "Jenn-Air") paiera pour les pièces spécifiées par l'usine et la main-d'œuvre pour corriger les vices de matériaux ou de fabrication. Le service doit être fourni par une compagnie de service désignée par Jenn-Air. Cette garantie limitée est valide uniquement aux États-Unis ou au Canada et s'applique exclusivement lorsque l'appareil est utilisé dans le pays où il a été acheté. À l'extérieur du Canada et des 50 États des États-Unis, cette garantie limitée ne s'applique pas. Une preuve de la date d'achat original est exigée pour obtenir un service dans le cadre de la présente garantie limitée.

## GARANTIE LIMITÉE DE LA DEUXIÈME À LA CINQUIÈME ANNÉE INCLUSIVEMENT SUR CERTAINS COMPOSANTS

De la deuxième à la cinquième année inclusivement à compter de la date d'achat, lorsque cet appareil ménager est utilisé et entretenu conformément aux instructions jointes à ou fournies avec le produit, Jenn-Air paiera pour les pièces spécifiées par l'usine pour les composants suivants (si applicables au produit), en cas de vices de matériaux ou de fabrication :

- |   |                           |
|---|---------------------------|
| ■ Élément électrique  | ■ Commandes électroniques |
| ■ Clavier et microprocesseur  | ■ Tube magnétron          |
| ■ Table de cuisson en vitrocéramique : en cas de bris d'origine thermique | ■ Brûleurs à gaz scellés  |

## ARTICLES EXCLUS DE LA GARANTIE

La présente garantie limitée ne couvre pas :

1. Les visites de service pour rectifier l'installation du gros appareil ménager, montrer à l'utilisateur comment utiliser l'appareil, remplacer ou réparer des fusibles ou rectifier le câblage ou la plomberie du domicile.
  2. Les visites de service pour réparer ou remplacer les ampoules électriques de l'appareil, les filtres à air ou les filtres à eau. Les pièces consommables ne sont pas couvertes par la garantie.
  3. Les réparations lorsque le gros appareil ménager est utilisé à des fins autres que l'usage unifamilial normal ou lorsque les instructions d'installation et/ou les instructions de l'opérateur ou de l'utilisateur fournies ne sont pas respectées.
  4. Les dommages imputables à : accident, modification, usage impropre ou abusif, incendie, inondation, actes de Dieu, installation fautive ou installation non conforme aux codes d'électricité ou de plomberie, ou l'utilisation de pièces consommables ou de produits nettoyants non approuvés par Jenn-Air.
  5. Les défauts apparents, notamment les éraflures, les bosses, fissures ou tout autre dommage au fini du gros appareil ménager, à moins que ces dommages soient dus à des vices de matériaux ou de fabrication et soient signalés à Jenn-Air dans les 30 jours suivant la date d'achat.
  6. Toute perte d'aliments due à une défaillance du réfrigérateur ou du congélateur.
  7. Les coûts associés au transport du gros appareil ménager du domicile pour réparation. Ce gros appareil ménager est conçu pour être réparé à domicile et seul le service à domicile est couvert par la présente garantie.
  8. Les réparations aux pièces ou systèmes résultant d'une modification non autorisée faite à l'appareil.
  9. Les frais de transport pour le service d'un produit si votre gros appareil est situé dans une région éloignée où un service d'entretien Jenn-Air autorisé n'est pas disponible.
  10. La dépose et la réinstallation de votre gros appareil si celui-ci est installé dans un endroit inaccessible ou n'est pas installé conformément aux instructions d'installation fournies.
  11. Les gros appareils ménagers dont les numéros de série et de modèle originaux ont été enlevés, modifiés ou qui ne peuvent pas être facilement identifiés. La présente garantie est nulle si le numéro de série d'usine a été modifié ou enlevé du gros appareil ménager.
- Le coût d'une réparation ou des pièces de rechange dans le cadre de ces circonstances exclues est à la charge du client.

## CLAUSE D'EXONÉRATION DE RESPONSABILITÉ AU TITRE DES GARANTIES IMPLICITES; LIMITATION DES RECOURS

LE SEUL ET EXCLUSIF RECOURS DU CLIENT DANS LE CADRE DE LA PRÉSENTE GARANTIE LIMITÉE CONSISTE EN LA RÉPARATION PRÉVUE CI-DESSUS. LES GARANTIES IMPLICITES, Y COMPRIS LES GARANTIES APPLICABLES DE QUALITÉ MARCHANDE ET D'APTITUDE À UN USAGE PARTICULIER, SONT LIMITÉES À UN AN OU À LA PLUS COURTE PÉRIODE AUTORISÉE PAR LA LOI. JENN-AIR N'ASSUME AUCUNE RESPONSABILITÉ POUR LES DOMMAGES FORTUITS OU INDIRECTS. CERTAINES JURIDICTIONS NE PERMETTENT PAS L'EXCLUSION OU LA LIMITATION DES DOMMAGES FORTUITS OU INDIRECTS, OU LES LIMITATIONS DE LA DURÉE DES GARANTIES IMPLICITES DE QUALITÉ MARCHANDE OU D'APTITUDE À UN USAGE PARTICULIER, DE SORTE QUE CES EXCLUSIONS OU LIMITATIONS PEUVENT NE PAS S'APPLIQUER DANS VOTRE CAS. CETTE GARANTIE VOUS CONFÈRE DES DROITS JURIDIQUES SPÉCIFIQUES ET VOUS POUVEZ ÉGALEMENT JOUIR D'AUTRES DROITS QUI PEUVENT VARIER D'UNE JURIDICTION À UNE AUTRE.

À l'extérieur du Canada et des 50 États des États-Unis, cette garantie ne s'applique pas. Contactez votre marchand Jenn-Air autorisé pour déterminer si une autre garantie s'applique.

Si vous avez besoin de service, voir d'abord la section "Dépannage" du Guide d'utilisation et d'entretien. Après avoir vérifié la section "Dépannage", de l'aide supplémentaire peut être trouvée en vérifiant la section "Assistance ou service" ou en appelant Jenn-Air. Aux É.-U., composer le 1-800-688-1100. Au Canada, composer le 1-800-807-6777.

# CUBIERTA A GAS EN VIDRIO CON VENTILACIÓN JENN-AIR

## GUÍA DE USO Y CUIDADO

### TABLA DE CONTENIDO

Instrucciones Importantes sobre Seguridad ...	27-30
Información sobre los Conductos .....	30
Cocción en la Cubierta .....	31-34
Cuidado y Limpieza .....	35-36
Localización y Solución de Averías .....	37
Garantía y Servicio .....	Última página

**Instalador:** Por favor deje esta guía junto con el electrodoméstico.

**Consumidor:** Por favor lea y conserve esta guía para referencia futura. Conserve el recibo de compra y/o el cheque cancelado como prueba de compra.

Número de modelo \_\_\_\_\_

Número de serie \_\_\_\_\_

Fecha de compra \_\_\_\_\_

Si tiene preguntas, llame a:

Atención al cliente Jenn-Air

1-800-JENNAIR (1-800-536-6247)

(de lunes a viernes de 8 a.m. a 8 p.m. hora del este)

Internet: <http://www.jennair.com>

En nuestro continuo afán de mejorar la calidad y rendimiento de nuestros electrodomésticos, puede que sea necesario modificar el electrodoméstico sin actualizar esta guía.

*Para información sobre servicio, vea la última página.*

# INSTRUCCIONES IMPORTANTES SOBRE SEGURIDAD

Las advertencias e instrucciones importantes sobre seguridad que aparecen en esta guía no están destinadas a cubrir todas las posibles circunstancias y situaciones que puedan ocurrir. Se debe ejercer sentido común, precaución y cuidado cuando se instale, se realice mantenimiento o se haga funcionar el electrodoméstico.

Siempre póngase en contacto con el fabricante si surgen problemas o condiciones que no entienda.

## Reconozca los símbolos, advertencias y etiquetas de seguridad



### ADVERTENCIA

**ADVERTENCIA** – Peligros o prácticas no seguras que PODRÍAN causar lesiones personales graves o mortales.



### PRECAUCIÓN

**PRECAUCIÓN** – Peligros o prácticas no seguras que PODRÍAN causar lesiones personales menos graves.

**Lea y siga todas las instrucciones antes de usar este electrodoméstico** para evitar el riesgo potencial de incendio, choque eléctrico, lesiones personales o daño al electrodoméstico como resultado de su uso inapropiado. Utilice este electrodoméstico solamente para el propósito para el cual ha sido destinado según se describe en esta guía.

**Para asegurar el funcionamiento correcto y seguro del electrodoméstico:** El electrodoméstico debe ser instalado debidamente y puesto a tierra por un técnico calificado. No intente ajustar, reparar o reemplazar ninguna pieza del electrodoméstico a menos que se recomiende específicamente en esta guía. Todas las otras reparaciones deben ser hechas por un técnico calificado. Haga que el instalador le muestre la ubicación de la válvula de cierre del gas y cómo cerrarla en caso de emergencia.

Siempre desenchufe el electrodoméstico antes de realizar reparaciones.



### ADVERTENCIA

**Si la información presente en esta guía no se sigue con exactitud, puede ocurrir un incendio o explosión que podría causar daños a la propiedad, lesiones personales o la muerte.**

- **No almacene o use gasolina u otros gases y líquidos inflamables cerca de este o cualquier otro electrodoméstico.**
- **SI SIENTE OLOR A GAS:**
  - **No intente encender ningún electrodoméstico.**
  - **No toque ningún interruptor eléctrico.**
  - **No use ningún teléfono en su vivienda.**
  - **Llame inmediatamente a su proveedor de gas desde el teléfono de un vecino. Siga las instrucciones de su proveedor de gas.**
  - **Si no puede localizar a su proveedor de gas, llame al departamento de bomberos.**
- **La instalación y reparaciones deben ser efectuadas por un técnico calificado, una agencia de reparaciones o el proveedor de gas.**



### ADVERTENCIA

Los escapes de gas pueden ocurrir en su sistema y causar una situación peligrosa. Los escapes de gas no necesariamente se detectan únicamente por el olor a gas. Los proveedores de gas recomiendan que compre e instale un detector de gas aprobado por el UL. Instálelo y úselo de acuerdo con las instrucciones del fabricante.

## Para Evitar Daños a Causa de un Incendio o Humo



### PRECAUCIÓN

**NUNCA** deje artículos sobre la cubierta de la estufa. El aire caliente puede encender los artículos inflamables y aumentar la presión en los envases cerrados hasta hacerlos reventar.

Asegúrese de que se hayan retirado todos los materiales de empaque del electrodoméstico antes de su uso.

# INSTRUCCIONES IMPORTANTES SOBRE SEGURIDAD

Mantenga el área alrededor del electrodoméstico libre y exenta de materiales combustibles, gasolina u otros vapores y materiales inflamables.

Si el electrodoméstico está instalado cerca de una ventana, se debe evitar que las cortinas pasen sobre los quemadores.

Muchos envases de tipo aerosol son EXPLOSIVOS cuando son expuesto al calor y pueden ser altamente inflamables. Evite su uso o su almacenamiento cerca de un electrodoméstico.

Muchos plásticos son afectados por el calor. Mantenga los plásticos alejados de las piezas del electrodoméstico que se puedan entibiar o calentar. No deje artículos de plástico sobre la cubierta de la estufa pues se pueden derretir o ablandar si están demasiado cerca de un quemador superior encendido.

Para eliminar el riesgo de pasar sobre los quemadores superiores calientes, no se deben guardar artículos en los armarios que están directamente sobre la estufa. Si existen armarios sobre la cubierta, los mismos sólo deben contener artículos que no se usen frecuentemente y que estén seguros en un área en la que estarán expuestos al calor de un electrodoméstico. Las altas temperaturas pueden ser peligrosas para algunos artículos tales como los líquidos volátiles, los limpiadores o los aerosoles.

Si siente un leve olor a gas puede significar que existe un escape de gas. Si siente un olor a gas, cierre el suministro de gas a la cubierta. Llame al instalador o a la compañía local de gas para verificar el escape. **Nunca use una cerilla o una llama abierta para ubicar un escape de gas.**

## En Caso de Incendio

Apague el electrodoméstico y la campana de ventilación para evitar que las llamas se dispersen. Apague las llamas y luego encienda la campana para expulsar el humo y el olor.

- Apague el fuego o la llama en una sartén con una tapa o una bandeja de hornear.
- **NUNCA** levante o mueva una sartén en llamas.

No use agua en los incendios de grasa. Use bicarbonato de sodio, un producto químico seco o un extinguidor de espuma para apagar un incendio o llama.

## Seguridad para los Niños

### PRECAUCIÓN

**NUNCA** almacene artículos de interés para los niños en los armarios que están sobre el electrodoméstico. Los niños que se trepan sobre el electrodoméstico para alcanzar artículos pueden sufrir lesiones graves.

**NUNCA** deje a los niños solos o sin supervisión cerca del electrodoméstico cuando esté en uso o esté caliente.

**NUNCA** permita que los niños se sienten o se paren en ninguna parte del electrodoméstico pues se pueden lesionar o quemar.

Se le debe enseñar a los niños que el electrodoméstico y los utensilios que están sobre él pueden estar calientes. Deje enfriar los utensilios calientes en un lugar seguro, fuera del alcance de los niños pequeños. Se les debe enseñar a los niños que un electrodoméstico no es un juguete. No se debe permitir que los niños jueguen con los controles u otras piezas de la cubierta.

## Generalidades

### ADVERTENCIA

**NUNCA** use este electrodoméstico como calefactor de área o para elevar la temperatura de la habitación. Esto puede causar envenenamiento por monóxido de carbono y el sobrecalentamiento del horno.

**NUNCA** cubra ninguna rendija, agujero o canal con materiales tales como el papel de aluminio. Esto evita que el aire fluya y puede causar envenenamiento por monóxido de carbono. El papel de aluminio también puede contener el calor y producir un riesgo de incendio.

**NUNCA** obstruya el flujo del aire de combustión y de ventilación cubriendo las entradas o salidas de aire del horno. Esto puede restringir el acceso del aire a los quemadores y causar envenenamiento por monóxido de carbono.

**No** use la cubierta como una área para almacenar alimentos o utensilios de cocina.

Las superficies potencialmente calientes incluyen la cubierta, las áreas dirigidas hacia la cubierta.

## Información de Seguridad sobre la Cocción

Siempre coloque el utensilio sobre el quemador superior antes de encenderlo. Asegúrese de saber cuál perilla corresponde al quemador superior que va a utilizar. Asegúrese de haber activado el quemador correcto y de que el mismo se haya encendido. Una vez que haya terminado la cocción, apague el quemador antes de retirar el utensilio para evitar exponerse a la llama.

Siempre ajuste la llama del quemador superior para que la misma no se extienda más allá del borde inferior del utensilio. Una llama excesiva es peligrosa, malgasta energía y puede dañar el electrodoméstico, el utensilio o los armarios que se encuentran

# INSTRUCCIONES IMPORTANTES SOBRE SEGURIDAD

**NUNCA** deje alimentos cocinándose sin supervisión, especialmente cuando utilice ajustes de temperatura altos o cuando fría en aceite. Los derrames pueden causar humo, y los derrames de grasa se pueden encender. Limpie los derrames de grasa tan pronto como sea posible. No use un ajuste de calor alto para cocinar durante tiempos prolongados.

**NUNCA** caliente un envase cerrado en el quemador superior. La acumulación de presión puede hacer reventar el envase y causar lesiones personales graves o daños al electrodoméstico.

Use tomaollas secos y gruesos. Los tomaollas húmedos pueden causar quemaduras por vapor. Nunca use paños para secar platos u otros artículos similares como tomaollas ya que pueden arrastrarse sobre la superficie caliente de los quemadores y se pueden encender o enredar en las piezas del electrodoméstico. Siempre permita que el aceite utilizado para freír se enfríe antes de mover o manipular el utensilio.

No permita que el aceite para cocinar u otros materiales inflamables se acumulen en el electrodoméstico, en la campana de ventilación, en el respiradero o en las áreas cercanas a estos. Limpie la campana de ventilación frecuentemente para evitar que la grasa se acumule en la misma o en el filtro. Cuando flamee alimentos debajo de la campana, encienda el ventilador.

**NUNCA** use ropa fabricada con materiales inflamables o ropa holgada o de mangas largas para cocinar. La ropa se puede encender o se puede enganchar en las manijas de los utensilios.

**NUNCA** cubra la abertura de ventilación con un utensilio, tomaollas o cualquier otro objeto mientras el ventilador esté encendido en la velocidad alta o baja, ya que se reduciría el rendimiento de la cubierta.

## Cubierta de Vidrio Cerámico

**NUNCA** cocine sobre una cubierta rota. Si la cubierta de la estufa se rompe, los agentes de limpieza y los derrames pueden penetrar la cubierta rota y crear un riesgo de choque eléctrico. Póngase en contacto con un técnico calificado inmediatamente.

Limpie la cubierta con cuidado. Algunos limpiadores pueden producir vapores nocivos si se aplican a una superficie caliente. Si se usa una esponja, paño o toalla de papel húmeda en un área de la cubierta que esté caliente, tenga cuidado para evitar quemaduras por el vapor.

Nunca se pare en la cubierta.

## Información de Seguridad sobre los Utensilios

Use utensilios con fondos planos y manijas que sean fáciles de sostener y que se mantengan frías. Evite usar utensilios

inestables, deformados, que se puedan volcar fácilmente o con manijas sueltas. También evite usar utensilios, especialmente utensilios pequeños, que tengan manijas pesadas, ya que los mismos pueden perder su estabilidad y volcarse fácilmente. Los utensilios que son pesados cuando contienen alimentos también pueden ser peligrosos al moverlos.

Asegúrese de que el utensilio sea lo suficientemente grande para el alimento y para evitar derrames. El tamaño del utensilio es especialmente importante cuando fría en aceite. Asegúrese de que el utensilio sea del tamaño adecuado para la cantidad de alimento que va a cocinar y para el burbujeo del aceite.

Para minimizar las quemaduras, el encendido de materiales inflamables y los derrames por el contacto accidental con el utensilio, no extienda las manijas sobre los quemadores superiores adyacentes. Siempre gire las manijas hacia un lado o hacia la parte trasera del electrodoméstico, y no hacia la habitación donde puedan ser fácilmente alcanzadas o golpeadas por niños pequeños.

Nunca deje que un utensilio hierva hasta quedar seco pues esto puede dañar la cubierta y el utensilio.

Solamente ciertos tipos de utensilios de vidrio, vidrio/cerámico, cerámica porcelanizados son convenientes para cocinar en la cubierta sin que se quiebren debido al repentino cambio de temperatura. Siga las instrucciones del fabricante del utensilio cuando use vidrio.

El rendimiento y funcionamiento seguro de este electrodoméstico se han comprobado usando utensilios de cocina convencionales. No use ningún dispositivo o accesorio que no haya sido específicamente recomendado en esta guía. No use tapas para quemadores o parrillas para cubiertas. El uso de dispositivos o accesorios que no estén expresamente recomendados en esta guía puede crear peligros graves de seguridad, afectar el rendimiento y reducir la vida útil de los componentes de este electrodoméstico.

## Información de Seguridad sobre la Limpieza

Apague todos los controles y espere hasta que las piezas del electrodoméstico se enfríen antes de tocarlas o limpiarlas. No toque las rejillas de los quemadores o las áreas que las rodean hasta que hayan tenido suficiente tiempo para enfriarse.

Limpie el electrodoméstico con cuidado. Tenga cuidado si utiliza un paño o esponja mojada para limpiar derrames en una superficie caliente para evitar quemaduras por vapor. Algunos limpiadores pueden producir vapores nocivos si se aplican a una superficie caliente.

# INSTRUCCIONES IMPORTANTES SOBRE SEGURIDAD

## Aviso y Advertencia Importantes sobre Seguridad

La Propuesta 65 de la Ley sobre Seguridad y Contaminación del Agua Potable del Estado de California de 1986 (California Safe Drinking Water and Toxic Enforcement Act of 1986) exige que el Gobernador de California publique una lista de las sustancias que según el Estado de California causan cáncer o daños al sistema reproductor, y exige que los negocios adviertan a sus clientes de la exposición potencial a tales sustancias.

Los usuarios de este electrodoméstico quedan advertidos que la combustión de gas puede resultar en una exposición de bajo nivel a algunas de las sustancias publicadas tales como el benceno, el formaldehído y el hollín debido primordialmente a la combustión incompleta de los combustibles de gas natural o gas licuado (LP).

Los quemadores ajustados adecuadamente minimizan la combustión incompleta. La exposición a estas sustancias también puede ser minimizada proporcionando una ventilación adecuada de los quemadores hacia el exterior.

### AVISO IMPORTANTE RESPECTO A LOS PÁJAROS

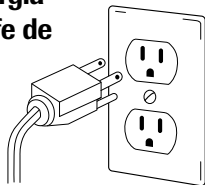
**DOMÉSTICOS:** Nunca mantenga a los pájaros domésticos en la cocina o en habitaciones hasta donde puedan llegar los humos de la cocina. Los pájaros tienen un sistema respiratorio muy sensible. Los vapores producidos durante el ciclo de autolimpieza del horno pueden ser perjudiciales o mortales para los pájaros. Los vapores que despiden el aceite de cocina, la grasa y la margarina sobrecalentados y la vajilla antiadherente sobrecalentada pueden también ser perjudiciales.

## Conexión Eléctrica

Los electrodomésticos que requieren energía eléctrica vienen equipados con un enchufe de tres clavijas con puesta a tierra, el cual debe ser conectado directamente a un tomacorriente de tres alvéolos de 120 V debidamente puesto a tierra.

*Siempre desenchufe el electrodoméstico antes de realizar reparaciones.*

El enchufe de tres clavijas con puesta a tierra ofrece protección contra los riesgos de choque eléctrico. **NO CORTE O REMUEVA LA TERCERA CLAVIJA DEL ENCHUFE DEL CORDÓN ELÉCTRICO.**



Si sólo se cuenta con un tomacorriente de dos alvéolos o de otro tipo sin conexión a tierra, **es responsabilidad del propietario del electrodoméstico reemplazarlo por un tomacorriente de tres alvéolos debidamente puesto a tierra.**

## Información sobre los Conductos

El sistema de ventilación Jenn-Air fue diseñado para capturar el vapor producido durante la cocción y el humo de la superficie de la cubierta. Si el sistema no funciona, verifique las siguientes situaciones en la instalación de los conductos:

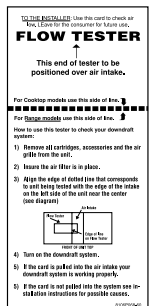
- Se deben usar conductos redondos de 6" (15,24 cm) o rectangulares de 3 1/4" (8,26 cm) x 10" (25,4 cm) para longitudes de 10 a 60 pies (3 a 18 m).

**Nota:** Utilice un conducto redondo de 5" (12,7 cm) de diámetro si la longitud del conducto es de 10 pies (3 m) o menos.

- No se deben utilizar más de tres codos de 90°. La distancia entre los codos debe ser de por lo menos 18" (45 cm).
- Se **DEBE** usar la tapa de pared Jenn-Air recomendada. Asegúrese de que el humidificador se mueva libremente cuando el sistema esté en funcionamiento.
- Debe haber una distancia mínima de despeje de 6" (15,24 cm) entre las cubiertas que sean instaladas cerca de una pared lateral y la pared.
- Debe dejar un espacio de despeje mínimo de 12" (30,5 cm) entre la parte inferior de la tapa de pared y el piso.

Si no existen problemas obvios de instalación, puede existir un problema oculto tal como una junta atascada, un conducto obstruido, etc. La instalación es responsabilidad del instalador, y las preguntas deben ser dirigidas al mismo en primer lugar. El instalador debe verificar muy cuidadosamente las instrucciones de instalación de los conductos.

- Use la tarjeta de pruebas de flujo proporcionada con su electrodoméstico para verificar el flujo de aire.



**Conserve estas instrucciones para referencia futura**

# COCCIÓN EN LA CUBIERTA

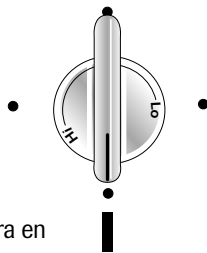
## Controles Superiores

### ! PRECAUCIÓN

- Si la llama se apaga durante la cocción, apague el quemador. Si detecta un fuerte olor a gas, abra una ventana y espere cinco minutos antes de volver a encender el quemador.
- Asegúrese de que todos los controles superiores estén en la posición **"OFF" (apagado)** antes de suministrar gas a la cubierta.
- **NUNCA** toque la cubierta hasta que se haya enfriado. Algunas de las piezas de la cubierta, en especial alrededor de los quemadores, estarán tibias o calientes durante la cocción. Use tomaollas para proteger sus manos.

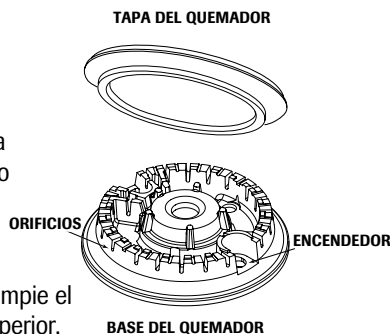
## Perillas de Sontrol de los Elementos Superiores

Use estos controles para encender los quemadores superiores. Se dispone de una selección infinita de ajustes del calor desde **"Lo" (bajo)** hasta **"Hi" (alto)**. Sentirá un tope o ranura en la posición **"Hi" (alto)**.



## Encendido sin Piloto

El encendido sin piloto elimina la necesidad de tener una luz piloto encendida constantemente. Cada quemador superior cuenta con un encendedor de chispa. Tenga cuidado cuando limpie el área alrededor del quemador superior.



Si el quemador superior no se enciende, verifique si el encendedor está roto, sucio o mojado.

## Reencendido Flame-Sensing<sup>MR</sup>

Su cubierta cuenta con quemadores sellados a gas con reencendido Flame-Sensing<sup>MR</sup>. Si cualquier llama del quemador se apaga, el sistema emitirá chispas automáticamente para reencender el quemador (todos los encendedores se activarán cuando se apague una llama; sin embargo, sólo el quemador seleccionado se encenderá).

Si la emisión de chispas es intermitente, aumente la llama (gire la perilla a la derecha) hasta que el sonido de las chispas se detenga.

## Programación de los Controles

Su cubierta tiene quemadores sellados a gas con reencendido automático. Si la llama del quemador se apaga, el sistema emitirá chispas automáticamente para volver a encender el quemador.

1. Coloque un utensilio sobre la rejilla del quemador. (Para mantener el acabado de la rejilla, no haga funcionar los quemadores sin un utensilio sobre la rejilla que absorba el calor de la llama.)
2. Oprima la perilla y gírela inmediatamente a la izquierda hasta el ajuste deseado.
  - Escuchará el sonido de una chispa y el quemador se encenderá. (Todos los encendedores emitirán chispas cuando se active cualquier quemador. Sin embargo, sólo el quemador seleccionado se encenderá.)

## Ajustes de Calor Sugeridos

El tamaño y tipo de utensilio afecta el ajuste de calor.

AJUSTES	USOS
	<p>Use <b>"Hi" (alto)</b> para hacer hervir un líquido o para alcanzar la presión de cocción en una olla a presión. Siempre reduzca el ajuste a un calor más bajo cuando los líquidos comiencen a hervir o cuando los alimentos comiencen a cocinarse.</p> <p>Use una llama intermedia para continuar la cocción. El alimento no se cocinará más rápidamente en un ajuste mayor que en un ajuste que permita mantener un hervor lento. El agua hierve a la misma temperatura ya sea que se esté haciendo hervir rápida o lentamente.</p>
	<p>Use <b>"Lo" (bajo)</b> para cocinar alimentos a fuego lento, mantener alimentos calientes y para derretir chocolate o mantequilla.</p> <p>Parte de la cocción puede realizarse en el ajuste <b>"Lo" (bajo)</b> si el utensilio está cubierto. Es posible reducir el calor girando la perilla hacia la posición <b>"OFF" (apagado)</b>. Asegúrese de que la llama sea estable.</p>



# COCCIÓN EN LA CUBIERTA

## Funcionamiento Durante una Falla Eléctrica

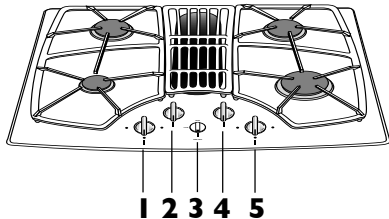
1. Sostenga una cerilla sobre el quemador que desee utilizar.
2. Oprima y gire la perilla de control al ajuste de temperatura deseado.

### ! PRECAUCIÓN

- Cuando encienda los quemadores superiores, asegúrese de que todos los controles estén en la posición **"OFF" (apagado)**. Encienda la cerilla primero y sosténgala sobre el quemador antes de girar la perilla.
- **No** deje la cubierta desatendida cuando cocine durante una falla eléctrica. El reencendido automático no funcionará durante una falla eléctrica.

## Vista General de la Cubierta

MODELO JGD8430



1. Quemador delantero izquierdo (5.000 BTU en "Hi"/alto, 900 BTU en "Lo"/bajo).
2. Quemador trasero izquierdo (10.500 BTU).
3. Control del ventilador.
4. Quemador trasero derecho (9.200 BTU).
5. Quemador delantero derecho (15.000 BTU).

## Quemadores Sellados

Los quemadores sellados están fijados a la cubierta y no están diseñados para ser removidos. Debido a que los quemadores están sellados a la cubierta, los derrames no se escurrirán debajo de la cubierta.

Sin embargo, los quemadores deben limpiarse después de cada uso. El conjunto de la cabeza del quemador se puede retirar fácilmente para la limpieza. (Vea las instrucciones de limpieza en la página 35.)

Las tapas de los quemadores deben estar colocadas de manera apropiada en la base del quemador para que el mismo funcione correctamente.

## Quemador de Alto Rendimiento\*

Su cubierta cuenta con un quemador de alta velocidad y está ubicado en la posición delantera derecha. Este quemador proporciona una mayor velocidad de cocción que se puede usar para llevar el agua rápidamente al hervor y para cocinar grandes cantidades de alimentos.

El rendimiento del hervor con el quemador de alta velocidad es mejor con el ventilador de corriente descendente apagado. Una vez que comience el hervor, encienda el ventilador para eliminar el vapor si es necesario.

## Quemador de Cocción a Fuego Lento\*

Este quemador se encuentra en la posición delantera izquierda. El quemador de cocción a fuego lento proporciona una llama de bajo nivel para:

- Mantener calientes salsas delicadas.
- Derretir chocolate o mantequilla.

El rendimiento de "Melt and Hold" (derretir y mantener caliente) del quemador de cocción a fuego lento puede ser mejorado si se enciende el ventilador de corriente descendente.

Siempre mantenga el alimento a las temperaturas apropiadas. El Departamento de Agricultura de los Estados Unidos (USDA) recomienda temperaturas entre 140° y 170° F (60° y 77° C).

\* La potencia varía cuando se usa gas LP.

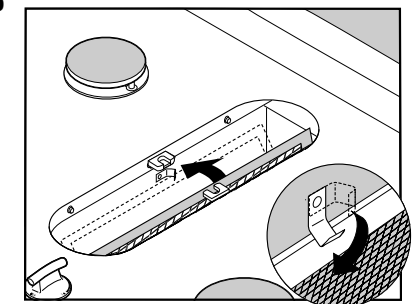
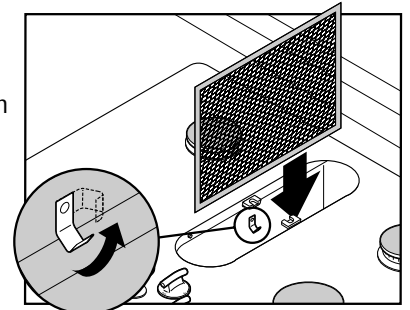
## Filtro de grasa

Instale el filtro de grasa según la ilustración. La unidad no debe ser operada si no se ha instalado primero el filtro adecuadamente como se muestra.

**IMPORTANTE: No use el sistema sin el filtro. El filtro siempre debe ser instalado en ángulo.** Si observa la parte delantera de la cubierta, la parte superior del filtro debe estar apoyado sobre el lado izquierdo de la abertura de ventilación. La parte inferior debe estar apoyada sobre el lado derecho de la cámara de ventilación en su parte inferior.

Si observa la parte delantera de la cubierta, la parte superior del filtro debe estar apoyado sobre el lado izquierdo de la abertura de ventilación. La parte inferior debe estar apoyada sobre el lado derecho de la cámara de ventilación en su parte inferior.

**Nota:** Si el filtro está instalado paralelo y contra la pared del ventilador, se reducirá la efectividad de la ventilación.



## Rejillas de los Quemadores

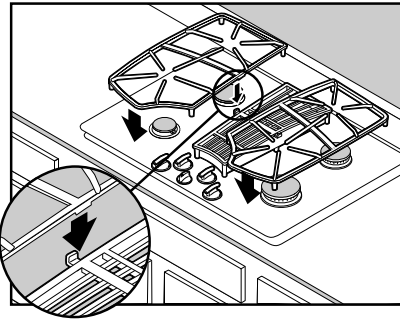
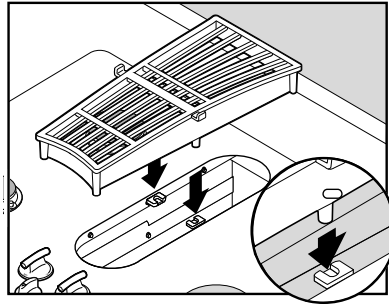
Las rejillas deben estar en la posición correcta antes de la cocción. La instalación inadecuada de las rejillas puede causar picaduras en la cubierta. Para asegurar el posicionamiento correcto de las rejillas, introduzca la rejilla de aire central primero. Asegúrese de que las patas inferiores calcen en las ranuras ubicadas en la cavidad del filtro.

# COCCIÓN EN LA CUBIERTA

A continuación coloque las rejillas izquierda y derecha en su lugar de manera que la lengüeta de la rejilla calce en la ranura de la rejilla de aire central.

**No haga funcionar los quemadores sin un utensilio sobre la rejilla. El acabado de porcelana de la rejilla puede picarse sin un utensilio que absorba el calor de la llama del quemador.**

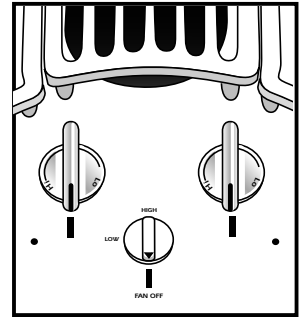
A pesar de que las rejillas son duraderas, las mismas perderán el brillo y/o se decolorarán por las altas temperaturas de las llamas del gas.



## Sistema de Ventilación

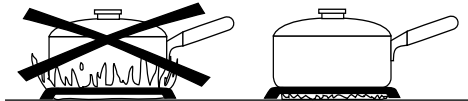
El sistema de ventilación integrado remueve los vapores de la cocción, los olores y el humo producido por los alimentos preparados en la cubierta.

- Para hacer funcionar el sistema de ventilación, gire la perilla del ventilador ubicada en la parte central delantera de la rejilla hacia la derecha a la posición **“Low” (bajo)** o **“High” (alto)**.
- El ventilador puede ser usado para remover olores fuertes de la cocina tales como los producidos al picar cebollas cerca del ventilador.
- Nunca cubra la abertura de ventilación cuando el ventilador esté encendido.



## Notas

- Un quemador ajustado de manera correcta y con orificios limpios se encenderá al cabo de pocos segundos. Si está usando gas natural, la llama será azul con un cono interno azul oscuro. Si la llama del quemador es amarilla y ruidosa, la mezcla aire/gas puede ser incorrecta. Póngase en contacto con un técnico de servicio para ajustar la llama. (Los ajustes de la llama no están cubiertos por la garantía.) Con el gas LP es aceptable que algunas puntas de las llamas sean ligeramente amarillas. Esto es normal y no es necesario realizar ajustes.
- Con algunos tipos de gas, es posible que escuche un golpeteo cuando se apague el quemador superior. Este es un sonido normal de funcionamiento del quemador.
- Para mejorar la eficiencia de la cocción y evitar posibles daños a la cubierta o utensilio, la llama debe ser ajustada de manera que no se extienda más allá del borde del utensilio.



# COCCIÓN EN LA CUBIERTA

---

## Superficie de Vidrio Cerámico

### Notas

- La cubierta puede emitir un olor y humo leve las primeras veces que se use. Esto es normal.
- La superficie de vidrio cerámico puede parecer descolorida cuando está caliente. Esto es normal y desaparecerá cuando la superficie se enfríe.
- Las superficies de vidrio cerámico retienen el calor durante un período de tiempo después de que la estufa se haya apagado.
- No intente levantar la cubierta.

### Sugerencias para Proteger la Superficie de Vidrio Cerámico

- Antes de usar, limpie la cubierta. (Vea la sección de limpieza en la página 36.)
- No permita que se derrita plástico, azúcar o alimentos con un alto contenido de azúcar en la cubierta caliente. Si esto llega a ocurrir, limpie el derrame inmediatamente. (Vea la sección de limpieza en la página 36.)
- Nunca use la cubierta como superficie de trabajo ni como tabla de cortar.
- No deslice utensilios de metal sobre una superficie caliente. Los utensilios pueden dejar marcas que pueden ser difíciles de sacar o permanentes. Cualquier marca debe ser limpiada inmediatamente. (Vea la sección de limpieza en la página 36.)
- Para evitar rayaduras o daño a la cubierta de vidrio cerámico, no deje azúcar, sal ni grasa en el área de cocción. Limpie la superficie de la cubierta con un paño limpio o con una toalla de papel antes de usarla.
- Nunca use un paño o una esponja sucia para limpiar la superficie de la cubierta. Quedará una película que puede causar manchas en la superficie de cocción después de que el área se caliente.
- No use papel ni contenedores de aluminio. El aluminio se puede derretir en el vidrio. Si el metal se derrite sobre la cubierta, no la use. Llame a un técnico de servicio autorizado Jenn-Air.
- No permita que los derrames permanezcan en el área de cocción o en la moldura de la cubierta durante un período de tiempo largo.
- No use polvos de limpieza abrasivos o esponjas de restregar pues pueden rayar la cubierta.
- No use blanqueador con cloro, amoníaco u otros limpiadores que no hayan sido específicamente recomendados para vidrio cerámico.
- Para conservar la apariencia de la cubierta de vidrio cerámico a gas, limpie después de cada uso.

# CUIDADO Y LIMPIEZA

## Procedimientos de Limpieza

### PRECAUCIÓN

- Asegúrese de que el electrodoméstico esté apagado y que todas las piezas estén frías antes de tocarlo o limpiarlo. Esto evitará daños y posibles quemaduras.
- Para evitar manchas o decoloración, limpie la estufa después de cada uso.
- Si se retira alguna pieza, asegúrese de volver a instalarla de manera correcta.


\* Los nombres de los productos son marcas registradas de sus respectivos fabricantes.

\*\* Para hacer un pedido directamente, llame al 1-800-JENNAIR (1-800-536-6247) en EE.UU. y Canadá.

PIEZA	PROCEDIMIENTO
<b>Rejillas de los Quemadores - Porcelana sobre Hierro Fundido</b>	<ul style="list-style-type: none"><li>• Espere a que se enfríen las rejillas. Retire las rejillas izquierda y derecha primero.</li><li>• Lave las rejillas con agua caliente y jabonosa y con una esponja plástica de restregar no abrasiva. Para las manchas difíciles, limpie con una esponja jabonosa no abrasiva o con la crema de limpieza para cubiertas "Cooktop Cleaning Creme"<sup>**</sup> (pieza N° 20000001)<sup>**</sup> y una esponja. Si la mancha no puede ser removida, vuelva a aplicar la crema de limpieza para cubiertas, cubra con una toalla de papel húmedo y deje en remojo por 30 minutos. Vuelva a frotar, enjuague y seque.</li><li>• No limpie en el lavavajillas o en el horno autolimpiante.</li><li>• Vuelva a instalar las rejillas colocando la rejilla de aire primero.</li></ul>
<b>Tapas de los Quemadores y Quemadores Sellados a Gas</b>	<p><b>Tapas Removibles de los Quemadores</b></p> <ul style="list-style-type: none"><li>• Espere a que se enfríe el quemador. Retire la tapa del quemador y lávela en agua jabonosa con una esponja plástica de restregar. Para manchas difíciles, limpie con una esponja jabonosa no abrasiva o con la crema de limpieza para cubiertas "Cooktop Cleaning Creme"<sup>**</sup> (pieza N° 20000001)<sup>**</sup> y una esponja.</li><li>• No limpie en el lavavajillas o en el horno autolimpiante.</li></ul> <p><b>Quemador Sellado a Gas</b></p> <ul style="list-style-type: none"><li>• Limpie después de cada uso. Espere a que se enfríe el quemador. Limpie con jabón y una esponja de plástico para restregar. Para las manchas difíciles, limpie con una esponja jabonosa no abrasiva.</li><li>• Tenga cuidado de no permitir que caiga agua en el centro del quemador.</li><li>• Tenga cuidado cuando limpie el encendedor. Si el mismo se moja o se daña, el quemador superior no se encenderá.</li><li>• Para asegurar un rendimiento uniforme de la cocción, mantenga los orificios de los quemadores libres de manchas de alimentos o desperdicios.</li></ul>
<b>Perillas de Control</b>	<ul style="list-style-type: none"><li>• Retire las perillas tirando de ellas hacia arriba cuando estén en la posición "OFF" (apagado). No retire el sello situado debajo de la perilla.</li><li>• Limpie, enjuague y seque. No use agentes de limpieza abrasivos ya que los mismos pueden rayar el acabado.</li><li>• Encienda cada quemador para asegurarse de que las perillas fueron reinstaladas correctamente.</li><li>• No limpie en el lavavajillas.</li></ul>

cont.

# CUIDADO Y LIMPIEZA

PIEZA	PROCEDIMIENTO
<b>Cubierta – de Vidrio Cerámico</b>	<p><i>Nunca use limpiadores de horno, blanqueador con cloro, amoníaco o limpiavidrios con amoníaco. <b>NOTA:</b> Llame a un técnico de servicio autorizado si la cubierta de vidrio cerámico se agrieta, se quiebra o si se derrite metal o papel de aluminio sobre la superficie.</i></p> <ul style="list-style-type: none"> <li>• <b>Deje que la cubierta se enfríe antes de limpiarla.</b></li> <li>• <b>Generalidades --</b> Limpie la cubierta después de cada uso con una toalla de papel húmeda y la crema de limpieza para cubiertas “Cooktop Cleaning Creme” (pieza N° 20000001)**. Luego, lustre con un paño seco y limpio. <i><b>NOTA:</b> Se desarrollarán manchas permanentes si la suciedad se cocina sobre la superficie con el uso continuo de la cubierta sucia.</i></li> <li>• <b>Suciedad Fuerte o Marcas de Metal --</b> Humedezca una esponja de restregar que no raye o marque. Aplique la crema de limpieza para cubiertas “Cooktop Cleaning Creme” (pieza No. 20000001)** y restriegue para quitar tanta suciedad como sea posible. Aplique una capa delgada de la crema sobre la suciedad, cúbrala con una toalla de papel húmeda y deje reposar por 30 a 45 minutos (2 a 3 horas para manchas fuertes). Mantenga la humedad cubriendo la toalla de papel con envoltura de plástico. Restriegue nuevamente y luego lustre con un paño seco y limpio. <i><b>NOTA:</b> Use solamente una esponja LIMPIA Y HÚMEDA que no raye que sea segura para utensilios con revestimiento antiadherente. Se dañará el vidrio del elemento si la esponja no está húmeda, si la esponja está sucia o si se usa cualquier otro tipo de esponja.</i></li> <li>• <b>Suciedad Quemada o Adherida --</b> Restriegue con una esponja de restregar que no raye o marque y con la crema de limpieza para cubiertas “Cooktop Cleaning Creme”. Sujete un raspador con una hoja de afeitar a un ángulo de 30° y raspe la suciedad restante. Luego limpie como se describió anteriormente.</li> <li>• <b>Azúcar o Plástico Derretidos --</b> Apague inmediatamente el quemador y espere a que se enfríe. Limpie el residuo con un raspador con hoja de afeitar y con la crema de limpieza para cubiertas “Cooktop Cleaning Creme”.</li> </ul> 
<b>Cubierta- Acero inoxidable (modelos selectos)</b>	<ul style="list-style-type: none"> <li>• <b>NO USE NINGÚN PRODUCTO DE LIMPIEZA QUE CONTenga CLORO.</b></li> <li>• <b>SIEMPRE LIMPIE A FAVOR DEL GRANO CUANDO REALICE LA LIMPIEZA.</b></li> <li>• <b>NO USE LIMPIADORES ABRASIVOS O DE NARANJA.</b></li> <li>• <b>Limpieza Diaria/Suciedad Leve –</b> Limpie con uno de los siguientes – agua con jabón, solución de agua y vinagre blanco, limpiador para superficies y vidrio “Formula 409”* o un limpiador para vidrio similar - usando una esponja o un paño suave. Enjuague y seque. Para pulir y evitar marcas de los dedos, use el producto “Stainless Steel Magic Spray”* (pieza N° 20000008)**.</li> <li>• <b>Suciedad Moderada/Manchas Rebeldes --</b> Limpie con uno de los siguientes – “Bon Ami”*, “Smart Cleanser”* o “Soft Scrub”* - usando una esponja húmeda o un paño suave. Enjuague y seque. Las manchas difíciles pueden ser quitadas con una esponja “Scotch-Brite”* multiuso húmeda frotando a favor del grano. Enjuague y seque. Para restaurar el lustre y sacar las marcas, use a continuación el aerosol “Stainless Steel Magic Spray”*.</li> <li>• <b>Decoloración --</b> Usando una esponja mojada o un paño suave, limpie con limpiador para acero inoxidable “Cameo Stainless Steel Cleaner”*. Enjuague inmediatamente y seque. Para sacar las marcas y restaurar el lustre, utilice “Stainless Steel Magic Spray”*.</li> </ul>
<b>Limpieza de la cámara de ventilación y de la cámara del filtro</b>	<ul style="list-style-type: none"> <li>• <b>Rejilla de aire:</b> La rejilla de aire se levanta fácilmente. Limpie con un paño o lave en el fregadero con detergente del hogar suave. Para evitar rayar la superficie, no use limpiadores abrasivos o esponjas de restregar.</li> <li>• <b>Filtro:</b> Apague el sistema de ventilación antes de retirar el filtro. El filtro es de tipo permanente y debe ser limpiado cuando esté sucio. Limpie en el fregadero con agua tibia y detergente.</li> <li>• <b>Cámara de ventilación:</b> Esta área, la cual aloja al filtro, debe ser limpiada en caso de derrames o cada vez que quede recubierta de grasa. Puede ser limpiada con una toalla de papel, un paño húmedo o una esponja y un detergente o limpiador suave del hogar .</li> </ul>

\* Los nombres de los productos son marcas registradas de sus respectivos fabricantes.

\*\* Para hacer un pedido directamente, llame al 1-800-JENNAIR (1-800-536-6247) en EE.UU. y Canadá.

# LOCALIZACIÓN Y SOLUCIÓN DE AVERÍAS

PROBLEMA	SOLUCIÓN
<b>Los quemadores superiores no se encienden.</b>	<ul style="list-style-type: none"> <li>• Verifique que el enchufe esté bien conectado en el tomacorriente.</li> <li>• Verifique o restablezca el disyuntor. Verifique o reemplace el fusible.</li> <li>• Verifique el suministro eléctrico.</li> <li>• Asegúrese de que el quemador haya sido diseñado para el tipo de gas que utilice.</li> <li>• Asegúrese de que los orificios del quemador o del encendedor no estén tapados.</li> <li>• Asegúrese de que el encendedor esté seco y emitiendo chispas. El quemador no se encenderá si el encendedor está dañado, sucio o mojado. Si el encendedor no emite chispas, gire la perilla a la posición "OFF" (apagado).</li> <li>• Asegúrese de que la tapa del quemador esté colocada correctamente en la base del quemador.</li> </ul>
<b>La llama del quemador superior se eleva de los orificios.</b>	<ul style="list-style-type: none"> <li>• Asegúrese de que haya un utensilio sobre la rejilla.</li> <li>• Póngase en contacto con un técnico de servicio autorizado Jenn-Air.</li> </ul>
<b>La llama es disparea.</b>	<ul style="list-style-type: none"> <li>• Los orificios del quemador pueden estar tapados.</li> <li>• Es posible que la llama deba ser ajustada. Póngase en contacto con un técnico de servicio autorizado Jenn-Air.</li> </ul>
<b>La llama del quemador superior es amarillo.</b>	<ul style="list-style-type: none"> <li>• Es aceptable que haya puntas amarillas en las llamas cuando se utilice gas LP.</li> <li>• Póngase en contacto con un técnico de servicio autorizado Jenn-Air.</li> </ul>
<b>Superficie de vidrio cerámico desgaste.</b>	<ol style="list-style-type: none"> <li>1. Rayaduras o abrasiones pequeñas. <ul style="list-style-type: none"> <li>• Asegúrese de que la cubierta y el fondo del utensilio estén limpios. No deslice utensilios de vidrio ni de metal sobre la cubierta. Asegúrese de que el fondo del utensilio no esté áspero. Use los agentes de limpieza recomendados. Vea la página 36.</li> </ul> </li> <li>2. Marcas de metal. <ul style="list-style-type: none"> <li>• No deslice utensilios de metal sobre la cubierta. Cuando esté fría, limpie la cubierta con crema de limpieza para cubiertas. Vea la página 36.</li> </ul> </li> <li>3. Vetas y manchas marrones. <ul style="list-style-type: none"> <li>• Limpie los derrames inmediatamente. Nunca limpie la cubierta con una esponja o paño sucio. Asegúrese de que la cubierta y el fondo del utensilio estén limpios.</li> </ul> </li> <li>4. Áreas con un brillo metálico. <ul style="list-style-type: none"> <li>• Depósitos minerales del agua y del alimento. Use los agentes de limpieza recomendados. Vea la página 36.</li> </ul> </li> <li>5. Picaduras o escamas. <ul style="list-style-type: none"> <li>• Limpie los derrames azucarados inmediatamente. Vea la página 36.</li> </ul> </li> </ol>
<b>El sistema de ventilación no captura el humo de manera eficiente.</b>	<ul style="list-style-type: none"> <li>• Verifique el aire cruzado en la habitación o la compensación de aire.</li> <li>• Se genera una cantidad excesiva de humo.</li> <li>• La tapa de la pared exterior puede estar atascada.</li> <li>• Es posible que la cubierta haya sido mal instalada. Verifique la información sobre los conductos. Vea la pág. 30.</li> </ul>
<b>La base del quemador tiene limitaciones de movimiento.</b>	<p>La base del quemador y la interfaz de vidrio han sido diseñadas para ofrecer servicio de por vida. Algunas limitaciones de movimiento son intencionales en caso de que se use fuerza excesiva.</p> <ul style="list-style-type: none"> <li>• Limite el movimiento del quemador sosteniendo la cabeza del quemador mientras limpia.</li> <li>• No use fuerza excesiva para limpiar.</li> <li>• No apriete los fijadores.</li> <li>• No intente cambiar la orientación de las cabezas del quemador.</li> </ul>

# **NOTAS**

# GARANTÍA DE LOS APARATOS DE COCCIÓN DE JENN-AIR®

## GARANTÍA LIMITADA DE UN AÑO

Durante un año a partir de la fecha de compra, siempre y cuando se dé a este electrodoméstico principal un uso y mantenimiento de conformidad con las instrucciones adjuntas o provistas con el producto, la marca Jenn-Air de Whirlpool Corporation o Whirlpool Canada LP (en lo sucesivo denominado "Whirlpool") se hará cargo del costo de las piezas especificadas de fábrica y del trabajo de reparación para corregir defectos en los materiales o en la mano de obra. El servicio deberá ser suministrado por una compañía de servicio designada por Whirlpool. Esta garantía limitada es válida solamente en Estados Unidos o en Canadá, y se aplica solamente cuando el electrodoméstico principal se use en el país en el que se ha comprado. Esta garantía limitada no tiene vigor fuera de los cincuenta Estados Unidos y Canadá. Se requiere una prueba de la fecha de compra original para obtener servicio bajo esta garantía limitada.

## GARANTÍA LIMITADA DEL SEGUNDO AL QUINTO AÑO EN CIERTAS PIEZAS DE LOS COMPONENTES

Durante el segundo al quinto año desde la fecha de compra, cuando este electrodoméstico sea operado y mantenido de acuerdo a las instrucciones adjuntas o provistas con el producto, Jenn-Air pagará por las piezas especificadas de fábrica para los siguientes componentes (si es aplicable para el producto), para corregir defectos de material o de mano de obra:

- Elemento eléctrico
- Botón táctil y microprocesador
- Superficie de cocción en vidrio de cerámica: si es debido a rupturas por cambios térmicos
- Controles electrónicos
- Tubo del magnetrón
- Quemadores a gas sellados

## EXCLUSIONES DE LA GARANTÍA

Esta garantía limitada no cubre:

1. Visitas de servicio técnico para corregir la instalación de su electrodoméstico principal, para enseñarle a usar su electrodoméstico principal, para cambiar o reparar fusibles domésticos o para corregir la instalación eléctrica o de la tubería de la casa.
2. Visitas de servicio técnico para reparar o reemplazar focos para electrodomésticos, filtros de aire o filtros de agua. Estas piezas de consumo están excluidas de la cobertura de la garantía.
3. Reparaciones cuando su electrodoméstico principal se use de un modo diferente al doméstico normal de una familia, o cuando se use de un modo contrario a las instrucciones publicadas para el usuario u operador y/o las instrucciones de instalación.
4. Daños causados por accidente, alteración, uso indebido, abuso, incendio, inundación, actos fortuitos, instalación incorrecta, instalación que no esté de acuerdo con los códigos eléctricos o de plomería, o el empleo de artículos de consumo o productos de limpieza no aprobados por Whirlpool.
5. Daños estéticos, incluyendo rayaduras, abolladuras, desportilladuras u otro daño al acabado de su electrodoméstico principal, a menos que el mismo sea debido a defectos en los materiales o la mano de obra y se le informe a Whirlpool en un lapso de 30 días a partir de la fecha de compra.
6. Cualquier pérdida de comida debido a fallas del refrigerador o del congelador.
7. Costos relativos a la remoción de su electrodoméstico principal desde su hogar para obtener reparaciones. Este electrodoméstico principal está diseñado para ser reparado en el hogar y únicamente el servicio de reparación en el hogar está cubierto bajo esta garantía.
8. Reparaciones de piezas o sistemas como resultado de modificaciones no autorizadas que se hayan efectuado en el electrodoméstico.
9. Gastos de viaje y transporte para obtener servicio para el producto, si su electrodoméstico principal está ubicado en un lugar remoto en el cual no haya disponible un técnico de servicio autorizado por Whirlpool.
10. La remoción y reinstalación de su electrodoméstico principal, si estuviera instalado en un lugar inaccesible o si no estuviera instalado de conformidad con las instrucciones de instalación publicadas.
11. Electrodomésticos principales con números de modelo/serie que se hayan removido, alterado o que no puedan ser identificados con facilidad. Esta garantía se anulará si el número de serie aplicado en la fábrica ha sido alterado o removido de su electrodoméstico principal.

El costo de la reparación o el reemplazo bajo estas circunstancias excluidas, correrá por cuenta del cliente.

## EXCLUSIÓN DE GARANTÍAS IMPLÍCITAS; LIMITACIÓN DE RECURSOS

EL ÚNICO Y EXCLUSIVO RECURSO DEL CLIENTE SEGÚN LOS TÉRMINOS DE ESTA GARANTÍA LIMITADA SERÁ EL DE REPARAR EL PRODUCTO SEGÚN SE ESTIPULA EN LA PRESENTE. LAS GARANTÍAS IMPLÍCITAS, INCLUYENDO LAS GARANTÍAS DE COMERCIABILIDAD O DE CAPACIDAD PARA UN PROPÓSITO PARTICULAR, SERÁN LIMITADAS A UN AÑO O AL PERÍODO MÁS CORTO PERMITIDO POR LEY. WHIRLPOOL NO SE RESPONSABILIZARÁ POR DAÑOS INCIDENTALES O CONSECUENTES. ALGUNOS ESTADOS Y PROVINCIAS NO PERMITEN LAS EXCLUSIONES O LIMITACIONES POR DAÑOS INCIDENTALES O CONSECUENTES, O LIMITACIONES ACERCA DE CUÁNTO DEBE DURAR UNA GARANTÍA IMPLÍCITA DE COMERCIABILIDAD O CAPACIDAD, DE MODO QUE LAS LIMITACIONES O EXCLUSIONES ARRIBA MENCIONADAS PUEDEN NO APLICARSE EN SU CASO. ESTA GARANTÍA LE OTORGA DERECHOS LEGALES ESPECÍFICOS Y ES POSIBLE QUE USTED TENGA TAMBIÉN OTROS DERECHOS QUE PUEDEN VARIAR DE UN ESTADO A OTRO O DE UNA PROVINCIA A OTRA.

Si usted se encuentra fuera de los cincuenta Estados Unidos y Canadá, póngase en contacto con su distribuidor autorizado de Whirlpool para determinar si corresponde otra garantía.

Si necesita servicio, consulte primero la sección "Solución de problemas" del Manual de uso y cuidado. Después de consultar la sección "Solución de problemas", puede encontrar ayuda adicional en la sección "Ayuda o servicio técnico," o llamando a Whirlpool. En EE.UU., llame al **1-800-688-1100**. En Canadá, llame al **1-800-807-6777**.

9/07