

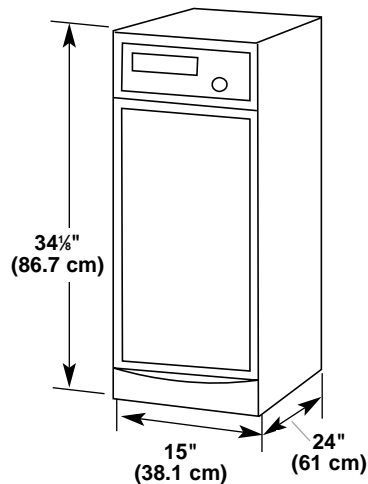
# KitchenAid® Compactor

## PRODUCT MODEL NUMBERS

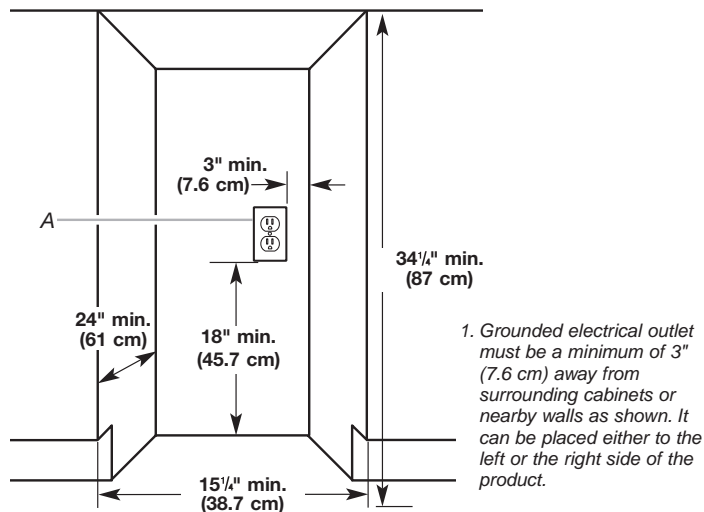
KFCK03IT	KUCP02IR
KFCP02IR	KUCS02CR
KUCK03IT	KUCS03CT

**Electrical:** 115-volt, 60-Hz, AC-only, 15- or 20-amp grounded circuit is required. A separate circuit is recommended.

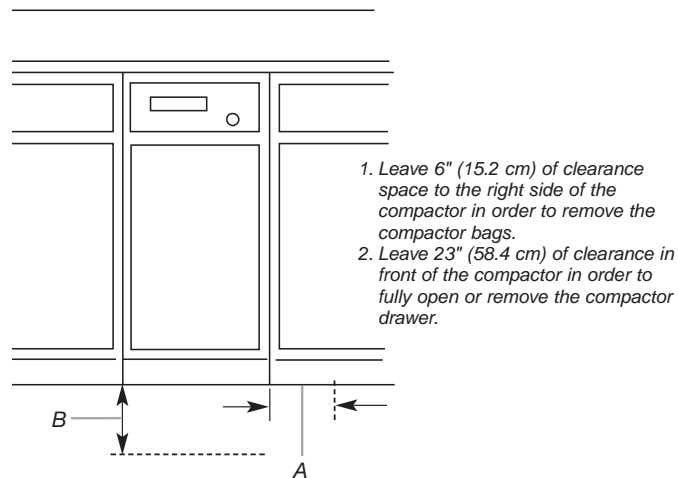
## OVERALL DIMENSIONS



## CABINET OPENING DIMENSIONS



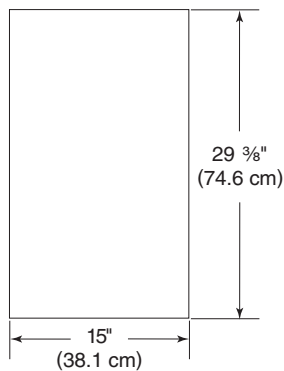
## CLEARANCE DIMENSIONS



## CUSTOM PANELS

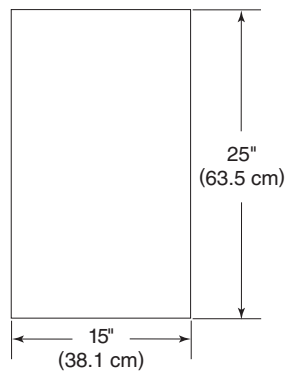
### Without Trim Kit

#### Models with handles



Panel should be 1/2" to 5/8" (13 to 16 mm) thick. NOTE: A thicker panel may need rounded front corners and a cutout for access to the handle.

#### Models without handles



Panel should be 1/2" (13 mm) min. thickness