

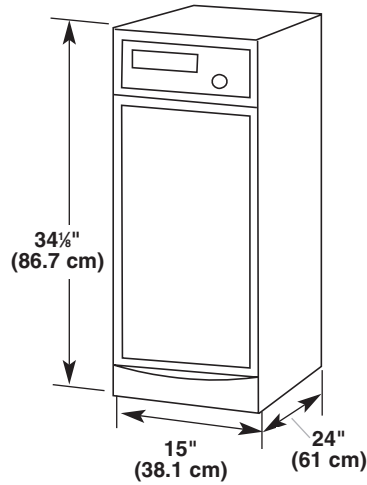
KitchenAid® Compactor

PRODUCT MODEL NUMBER

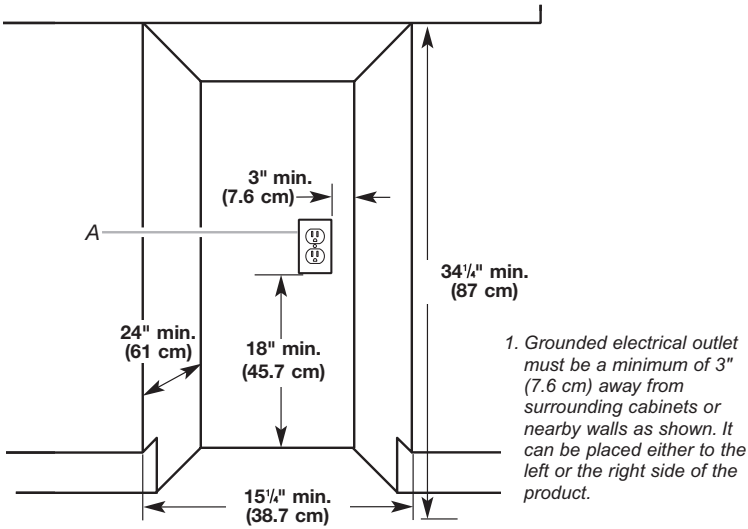
KUCS03FT

Electrical: This compactor is for use on a single phase, 115-volt, 60 Hz, AC only, 15- or 20-amp fused and properly grounded circuit and is equipped with a grounding plug as shown below. It is recommended that a separate circuit serving only this appliance be provided

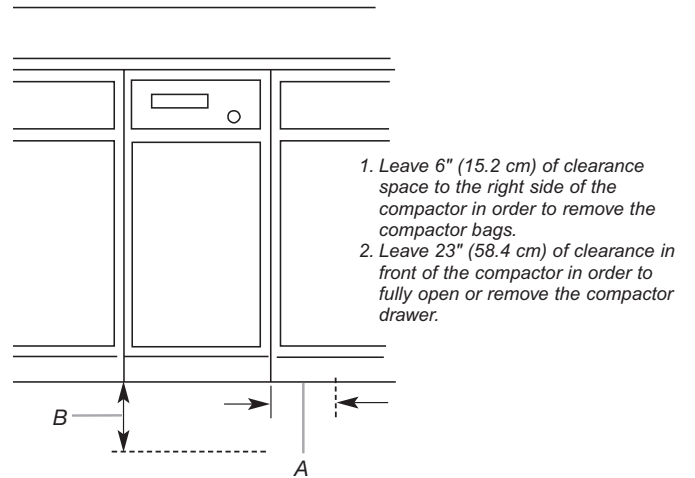
OVERALL DIMENSIONS



CABINET OPENING DIMENSIONS

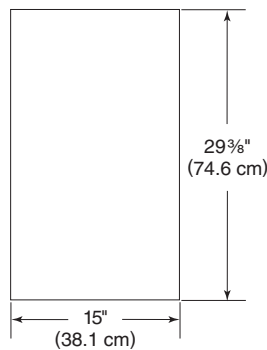


CLEARANCE DIMENSIONS



CUSTOM PANELS

Without Trim Kit



Panel should be a minimum of 1/2" (13 mm) thick.