
INSTALLATION INSTRUCTIONS UNDERCOUNTER DISHWASHER STAINLESS STEEL TUB

LAVAVAJILLAS EMPOTRADA CON TINA DE ACERO INOXIDABLE

INSTRUCTIONS D'INSTALLATION LAVE-VAISSELLE ENCASTRÉ AVEC CUVE EN ACIER INOXYDABLE

Table of Contents.....	2
Indice	27
Table des matières.....	52

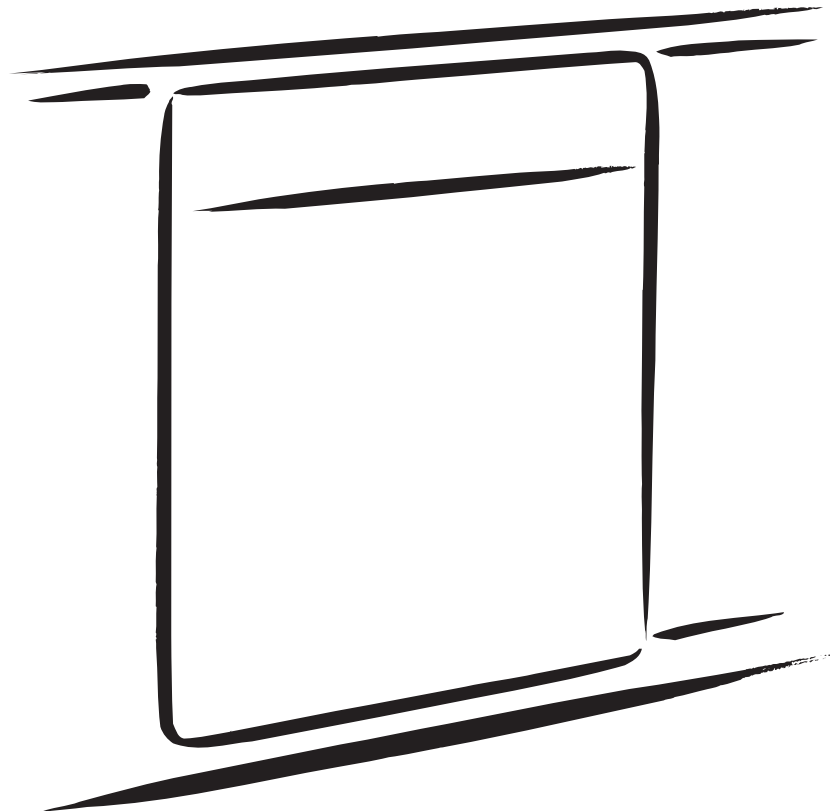


TABLE OF CONTENTS

DISHWASHER SAFETY	3	Drain Hose Connection	13
INSTALLATION REQUIREMENTS.....	4	Power Cord Connection	14
Tools and Parts	4	Install Door Handle	16
Location Requirements.....	6	Place Dishwasher in Cabinet.....	16
Product and Cabinet Opening Dimensions	7	Custom Panel Installation	17
Drain Requirements	8	Choose Anchor Attachment Method	17
Water Supply Requirements	8	Final Installation Check.....	18
Electrical Requirements.....	8	Secure Dishwasher in Cabinet Opening	19
INSTALLATION INSTRUCTIONS.....	9	Direct Wire Connection.....	20
Prepare Cabinet Opening – New Utilities	9	Connect Water Line to House Shutoff Valve.....	22
Install Optional Moisture Barrier	9	Connect Drain Hose	22
Electrical Connection.....	10	Complete Installation	24
Prepare Dishwasher.....	11	Install Access Panel.....	25
Remove Access Panel.....	11	Check Operation.....	26
Connect Water Line to Fill Valve	12	If Dishwasher Does Not Operate	26
Connect Fill Hose to Fill Valve	13	Additional Tips	26

DISHWASHER SAFETY

Your safety and the safety of others are very important.

We have provided many important safety messages in this manual and on your appliance. Always read and obey all safety messages.



This is the safety alert symbol.

This symbol alerts you to potential hazards that can kill or hurt you and others.

All safety messages will follow the safety alert symbol and either the word "DANGER" or "WARNING."

These words mean:

⚠ DANGER

You can be killed or seriously injured if you don't immediately follow instructions.

⚠ WARNING

You can be killed or seriously injured if you don't follow instructions.

All safety messages will tell you what the potential hazard is, tell you how to reduce the chance of injury, and tell you what can happen if the instructions are not followed.

⚠ WARNING



Tip Over Hazard

Do not use dishwasher until completely installed.

Do not push down on open door.

Doing so can result in serious injury or cuts.

You Need to:

- Slowly open dishwasher door while someone grasps the rear of the dishwasher. Remove shipping materials and drain hose. Close dishwasher door until latched.

NOTE: Each dishwasher is tested at the factory and may contain some residual water in the tub as a result of the test.

- Observe all governing codes and ordinances.
- Install this dishwasher as specified in these instructions.
- Installation should be performed by a qualified service technician.
- The dishwasher must be installed to meet all electrical and plumbing national and local codes and ordinances.

Care shall be exercised when the appliance is installed or removed, to reduce the likelihood of damage to the power cord.

WARNING: To reduce the risk of electric shock, fire, or injury to persons, the installer must ensure that the dishwasher is completely enclosed at the time of installation.

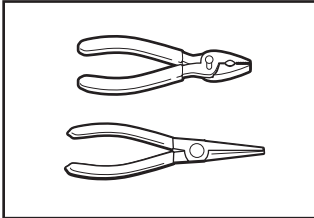
INSTALLATION REQUIREMENTS

TOOLS AND PARTS

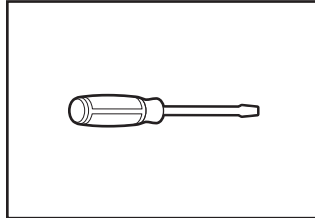
Gather the recommended tools and parts before starting installation. Read and follow the instructions provided with any tools listed here.

All Installations

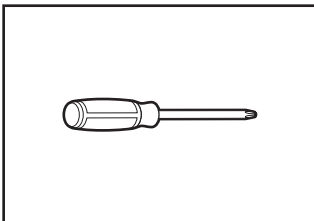
Tools Needed:



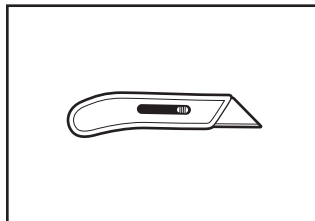
Pliers



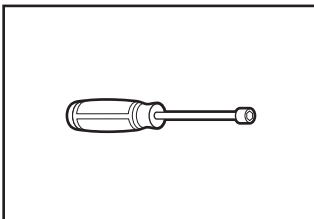
Flat-blade screwdriver



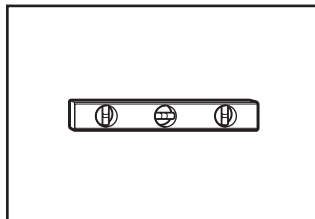
Phillips screwdriver



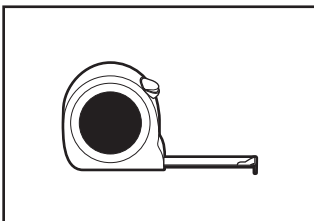
Utility knife



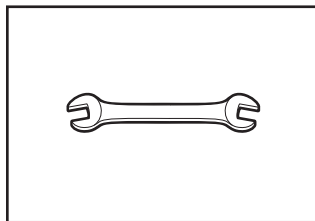
5/16" and 1/4" nut drivers or hex sockets



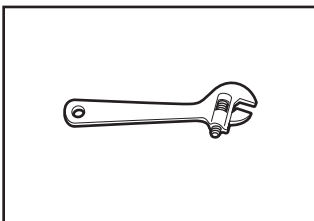
Small level



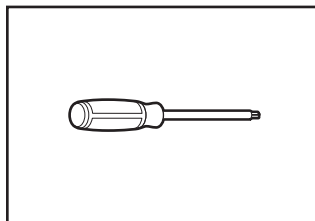
Measuring tape or ruler



5/8" open-end wrench

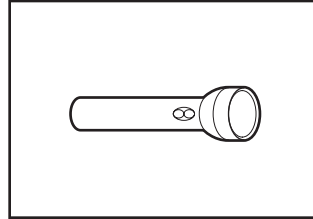


10" adjustable wrench that opens to 1 1/8" (29 mm)

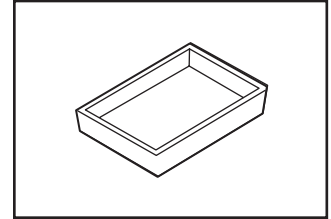


Torx[®]† T20[®] and, if installing custom front panels, Torx[®] T15[®] screwdrivers

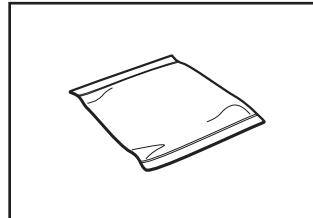
Other Useful Items You May Need:



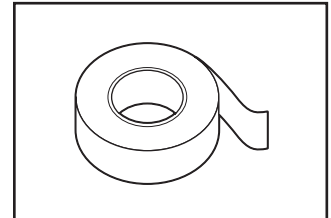
Flashlight



Shallow pan

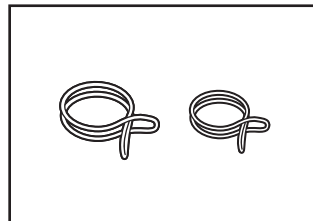


Bath towel



Masking or duct tape

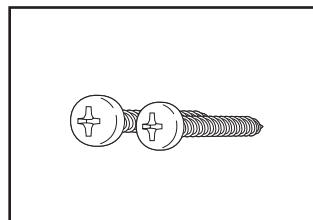
Parts Supplied:



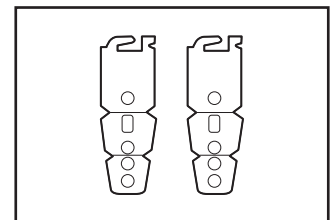
Drain hose clamps (2)
(1 large/red and 1 small/green)



Drain hose

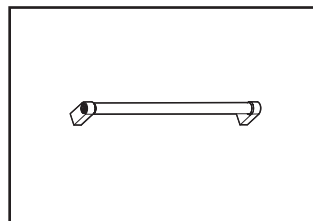


#10 x 1/2" Phillips-head screws (2)



Undercounter mounting brackets (2)

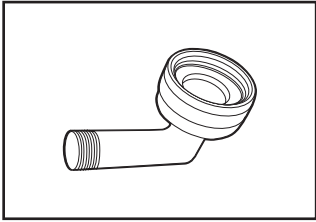
Make sure all these parts are included in the literature package. If parts are not included, call us at our toll-free number or visit our website listed in the User Guide.



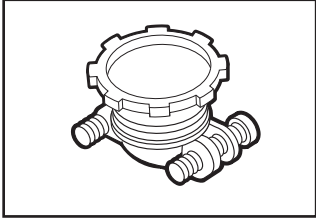
Door handle (on some models)

†[®]TORX, T15, and T20 are registered trademarks of Acument Intellectual Properties, LLC.

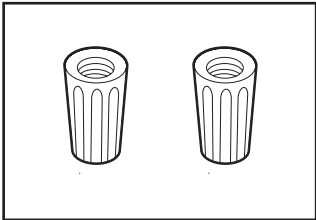
Other Parts Needed (not provided):



3/8" Compression x 3/4" Hose Fitting with rubber seal and 90° elbow (required to properly connect household water line to the dishwasher) (Whirlpool Part Number W10685193)



Household Wiring (Metallic) Strain Relief to fit 7/8" (22 mm) hole (required to properly secure household wiring to the dishwasher terminal box) (Whirlpool Part Number 4396672)



NOTE: Use only UL Listed/CSA Approved part.

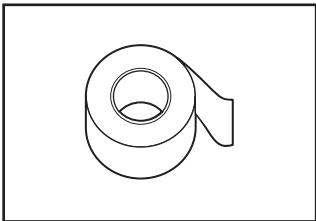
Twist-On Wire Connectors

NOTES:

- Confirm proper size for connecting your gauge of household wiring to the 16-gauge wiring in the dishwasher.
- Use only UL Listed/CSA Approved parts.

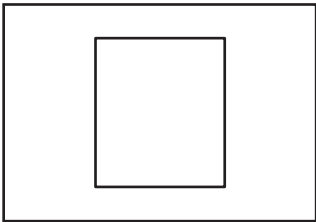
Call us at our toll-free number, visit our website listed in the User Guide for part numbers above, or see local electrical/plumbing supply retailer for equivalent.

Optional Accessory Parts Available:



Moisture Barrier Tape

NOTE: Moisture barrier tape is an optional, added level of protection if installing a dishwasher under a wooden countertop. (Whirlpool Part Number 4396277)



Side Panel Kit

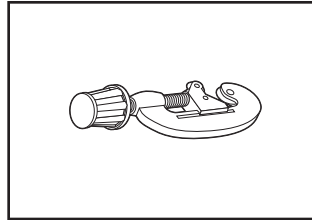
For enclosing the side of the dishwasher when installing it at the end of your cabinetry (Whirlpool Part Number varies with color.)

Call us at our toll-free number or visit our website listed in the User Guide for part numbers above.

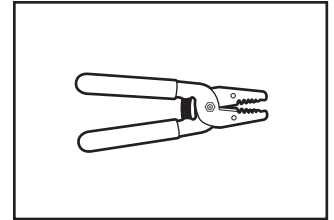
First-Time Installations

Check local codes. Check existing electrical supply. See the "Electrical Requirements" section. It is recommended that electrical connections be made by a licensed electrical installer.

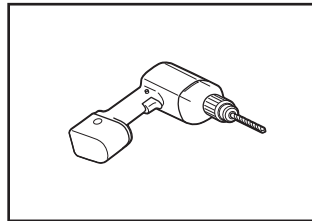
Additional Tools Needed:



Small tubing cutter

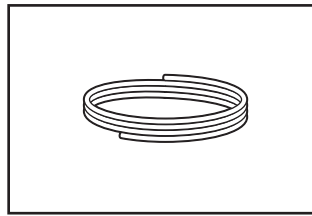


Wire stripper

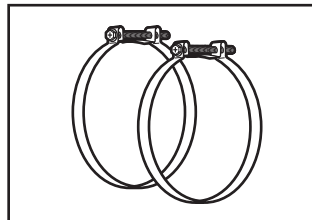


Cordless drill with 1/2", 3/4", and 1 1/2" hole saw bits

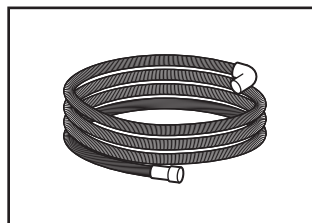
Additional Parts Needed (not provided):



Copper Tubing (3/8" O.D. suggested) or Flexible Braided Water Supply Line Kit (Whirlpool Part Number W10278635RP). Kit includes braided hose and 3/8" compression x 3/4" hose fitting.



Screw-Type Clamps 1 1/2"-2" (38-50 mm) (3 maximum)

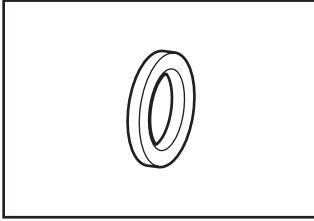


Optional-Longer Drain Hose Maximum length 12 ft (3.7 m) (Whirlpool Part Number 3385556) **NOTE:** Must meet AHAM/IAPMO test standards, fit 1" (25 mm) drain connection, and be resistant to heat and detergent

Call us at our toll-free number, visit our website listed in the User Guide for part numbers above, or see local plumbing supply retailer for equivalent.

NOTE: If using a flexible braided hose, replace inlet hose after 5 years to reduce the risk of hose failure. Record hose installation or replacement dates on the hose for future reference.

For Direct Wire



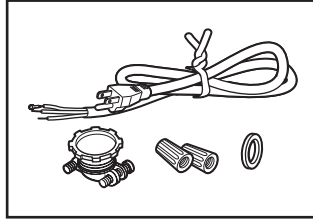
Cabinet Grommet

For 1½" (38 mm) hole in cabinet. (Whirlpool Part Number 302797)

NOTE: Required for metal cabinets

Call us at our toll-free number, visit our website listed in the User Guide for part numbers above, or see local electrical supply retailer for equivalent.

For Power Cord



Power Cord Kit

Kit typically includes power cord, metallic strain relief, grommet, and twist-on wire connectors. (Whirlpool Part Number 4317824)

LOCATION REQUIREMENTS

Dishwasher must be fully enclosed (top, sides, back, and floor) upon installation. A side panel kit is available from your dealer for installing your dishwasher at the end of your cabinetry.

An optional moisture barrier accessory is also available for installing underneath a wooden countertop. See the "Tools and Parts" section at the front of the guide for part details and orders.

Check location where dishwasher will be installed. The location must provide:

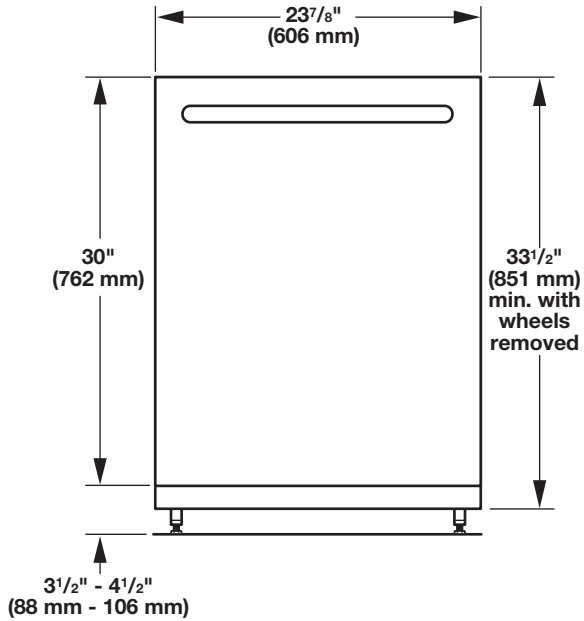
- Convenient access for loading and unloading dishes. Corner locations require a 2" (51 mm) minimum clearance between the side of the dishwasher door and the wall or cabinet.
- Easy access to water, electricity, and drain:
 - Grounded electrical supply is required.
 - This dishwasher has a water heating feature and also requires a connection to a hot water supply line.
 - Make sure pipes, wires and drain hose are within the shaded area shown in the "Product and Cabinet Opening Dimensions" section.
 - Do not run drain lines, water lines, or electrical wiring where they can interfere with or contact dishwasher motor or legs.
 - Shelter dishwasher and water lines leading to dishwasher against freezing. Damage from freezing is not covered by the warranty.

NOTE: If dishwasher will be left unused for a period of time or in a location where it may be subject to freezing, have it winterized by authorized service personnel.
 - If installed in new construction, flush the water supply line of debris before connecting it to the fill valve. If it is not flushed, debris from the water supply could plug the fill valve screen.
- A square opening for proper operation and appearance
- The cabinet front to be perpendicular to floor
- A level floor

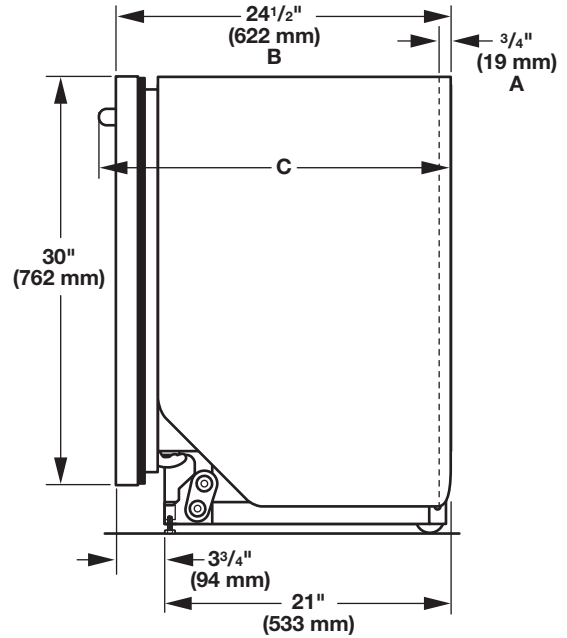
Helpful Hint: If floor at front of opening is not level with floor at rear of opening, shims may be used to level dishwasher.

NOTE: To avoid shifting during dishwasher operation, shims must be securely attached to the floor.
- The location where the dishwasher will be installed must provide clearance between motor and flooring. Motor should not touch the floor.
- Do not install dishwasher over carpeted flooring.

Product and Cabinet Opening Dimensions

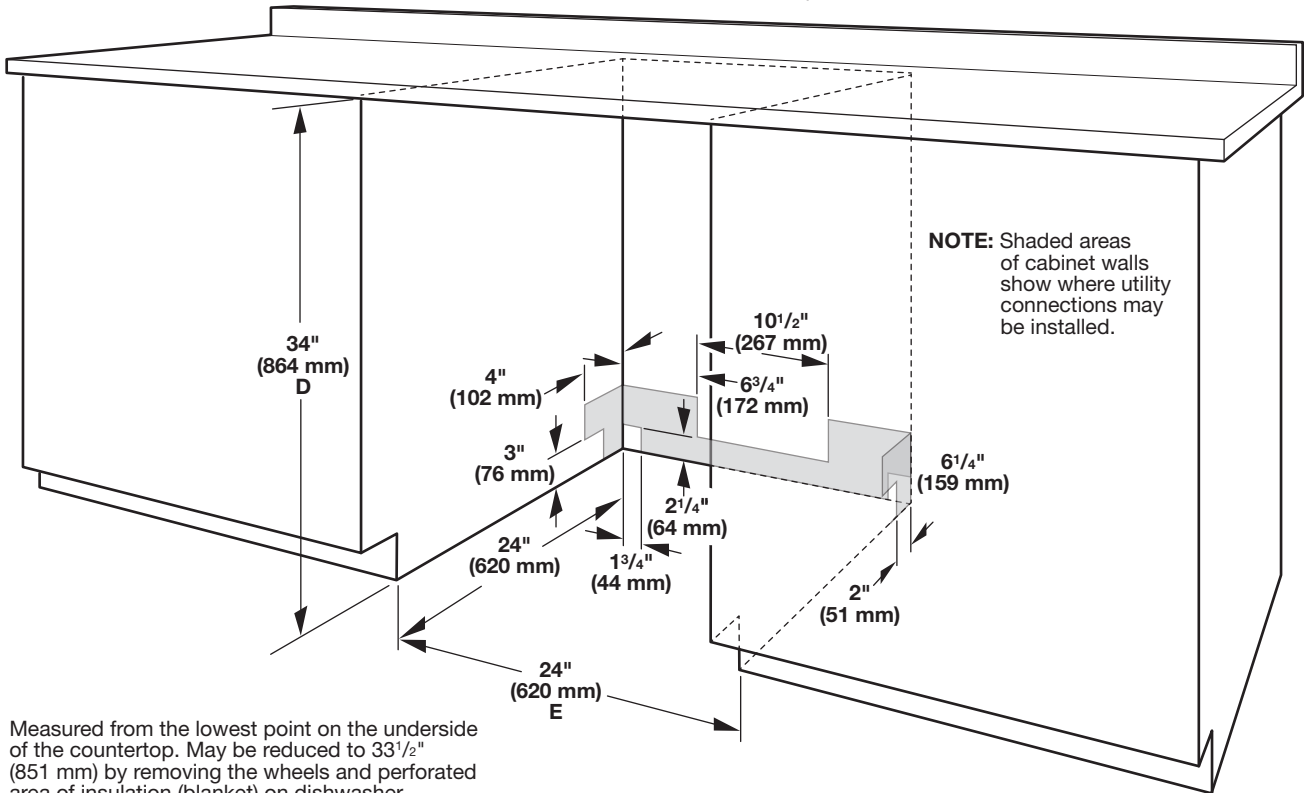


For 4" (100 mm) toe kick, height of cabinet opening is 34¹/₂" (863 mm).



- A. Insulation may be compressed (not used on all models).
- B. For panel-ready models, dishwasher depth is 24" (610 mm), not including the 3/4" (19 mm) custom door panel.
- C. Door handles may protrude forward of the face of the dishwasher, varies by model.

Check that all surfaces have no protrusions that would prohibit dishwasher installation.



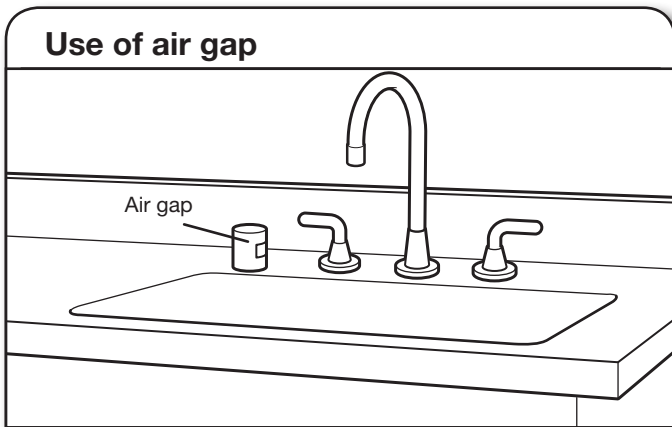
- D. Measured from the lowest point on the underside of the countertop. May be reduced to 33¹/₂" (851 mm) by removing the wheels and perforated area of insulation (blanket) on dishwasher.
- E. Minimum, measured from narrowest point of opening

DRAIN REQUIREMENTS

- A new drain hose is supplied with your dishwasher. If drain hose is not long enough, use a new drain hose with a maximum length of 12 ft (3.7 m) that meets all current AHAM/IAPMO test standards, is resistant to heat and detergent, and fits the 1" (25 mm) drain connector of the dishwasher. See the "Tools and Parts" section at the front of the guide for part details and orders.

NOTE: Do not connect multiple drain hoses together.

- Make sure to connect drain hose to waste tee or disposer inlet above drain trap in house plumbing and 20" (508 mm) minimum above the floor. It is recommended that the drain hose either be looped up and securely fastened to the underside of the counter or be connected to an air gap.
- Make sure to use an air gap if the drain hose is connected to house plumbing lower than 20" (508 mm) above subfloor or floor.



- If required, the air gap should be installed in accordance with the air gap installation instructions. When you are connecting the air gap, a rubber hose (not provided) will be needed to connect to the waste tee or disposer inlet.
- Use 1/2" minimum I.D. drain line fittings.

WATER SUPPLY REQUIREMENTS

- This dishwasher has a water heating feature and also requires a connection to a hot water supply line.
- A hot water line with 20 to 120 psi (138 to 862 kPa) water pressure can be verified by a licensed plumber.
- 120°F (49°C) water at dishwasher
- 3/8" O.D. copper tubing with compression fitting or flexible braided water supply line. See the "Tools and Parts" section at the front of the guide for part details and orders.

NOTE: 1/2" minimum plastic tubing is not recommended.

- A 90° elbow with 3/4" hose connection with rubber washer. See the "Tools and Parts" section at the front of the guide for part details and orders.
- Do not solder within 6" (152 mm) of the water inlet valve.
- If installed in new construction, make sure the house water supply lines have been flushed prior to connecting the dishwasher to remove any debris that may exist in the supply line.

NOTE: If replacing an existing dishwasher, it is recommended to install a new water line (see the "Tools and Parts" section at the front of the guide for part details) and drain hose (supplied) with the new dishwasher.

ELECTRICAL REQUIREMENTS

Be sure that the electrical connection and wire size are adequate and in conformance with the National Electrical Code, ANSI/NFPA 70 - latest edition, and all local codes and ordinances.

A copy of the above code standards can be obtained from:

National Fire Protection Association
1 Batterymarch Park
Quincy, MA 02169-7471

You Must Have:

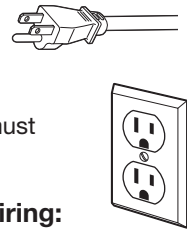
- 120-volt, 60 Hz, AC-only, 15- or 20-amp, fused electrical supply
- Copper wire only
- A maximum of 2 field wiring supply conductors (12 AWG largest size) plus 1 grounding conductor are permitted in the terminal box.

We Recommend:

- A time-delay fuse or circuit breaker
- A separate circuit

If Connecting Dishwasher with a Power Cord:

- Use UL Listed power cord kit marked for use with dishwasher. See the "Tools and Parts" section at the front of the guide for part details and orders.
- Plug into a grounded 3 prong outlet. Outlet must meet all local codes and ordinances.



If Connecting Dishwasher with Direct Wiring:

- Use flexible, armored, or nonmetallic sheathed copper wire with grounding wire that meets the wiring requirements for your home and local codes and ordinances.
- Use a UL Listed/CSA Approved metallic strain relief. See the "Tools and Parts" section at the front of the guide for part details and orders.



INSTALLATION INSTRUCTIONS

⚠ WARNING



Electrical Shock Hazard

Disconnect electrical power at the fuse box or circuit breaker box before installing dishwasher.

Failure to do so can result in death or electrical shock.

1. Disconnect power

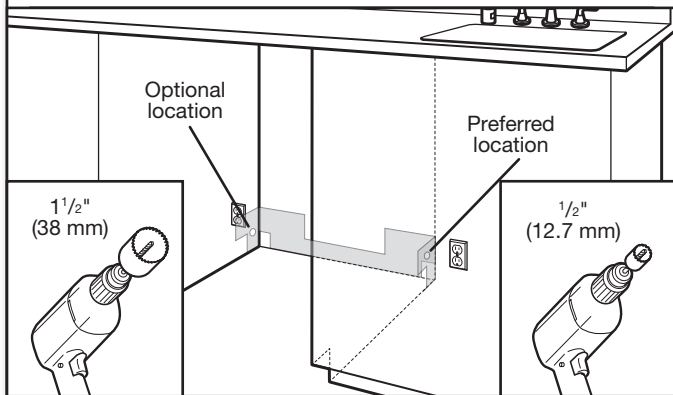
Disconnect electrical power at the fuse box or circuit breaker box before installing dishwasher.

2. Shut off water supply

Shut off the water supply to the dishwasher.

PREPARE CABINET OPENING – NEW UTILITIES

3. Drill hole locations - new construction



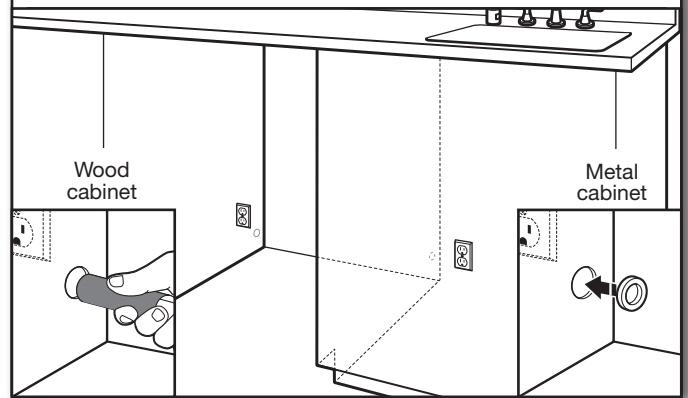
NOTE: Refer to the “Product and Cabinet Opening Dimensions” section for the correct hole placement and dimensions of the shaded area.

Drill a 1 1/2" (38 mm) drain hose hole in the side or rear of cabinet, depending on location of drain hose routing and drain hose connection location.

Drill a 1/2" (12.7 mm) water supply hose hole in the side or rear of cabinet, depending on location of water supply routing and connection location

Drill a 1 1/2" (38 mm) electrical conduit hole in the right-hand side or rear of cabinet.

4. Sand holes smooth



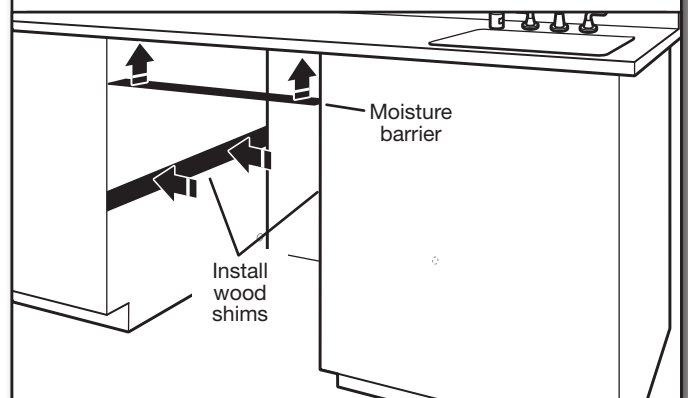
Wood cabinet: Sand the hole until smooth.

Metal cabinet: Cover edges of hole with grommet included with power cord kit. See the “Tools and Parts” section at the front of the guide for part details.

Helpful Tip: Wiring the dishwasher will be easier if you route the cable into the cabinet opening from the right-hand side.

INSTALL OPTIONAL MOISTURE BARRIER – RECOMMENDED FOR WOOD COUNTERTOPS

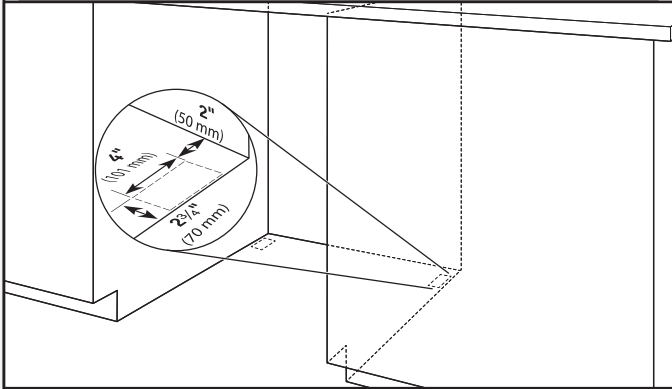
Moisture barrier/wood shims



See the “Tools and Parts” section at the front of the guide for part details and orders. Make sure the area under the cabinet is clean and dry for installation of the moisture barrier. Remove the backing of the moisture barrier, and apply to underside of the countertop along the front edge of the counter.

NOTE: Install wood shims if side anchoring and the gap between the sides of the cabinet and sides of the dishwasher are greater than 1/2" (12.7 mm) on each side or are greater than the length of the side anchor screws.

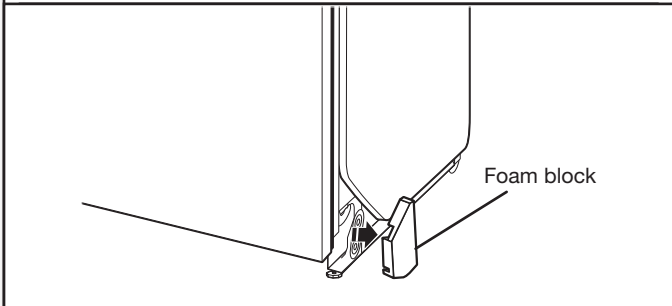
5. Built-up floors – add shims as needed



Built-up floors: If the kitchen floor is higher than the cabinet opening's floor - for example, the kitchen floor tile does not extend into the cabinet opening - add shims, as needed, in the area shown to bring the dishwasher up to 34" (864 mm) below the countertop.

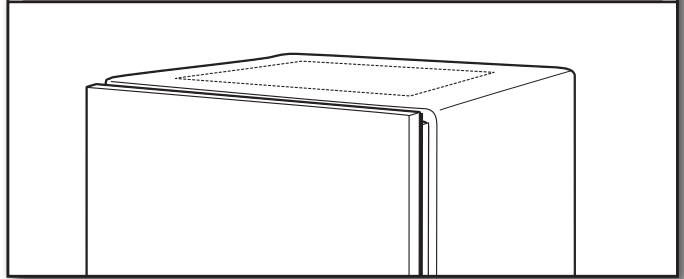
NOTE: Shims must be securely attached to floor to avoid movement when the dishwasher is in use.

6. Remove foam block



Remove and discard the foam blocks (if blocks are present; not all models have them) located above the front legs on each side of the dishwasher. The blocks cover the rope/link pulleys on the dishwasher.

If installing into a 33 1/2" (851 mm) opening

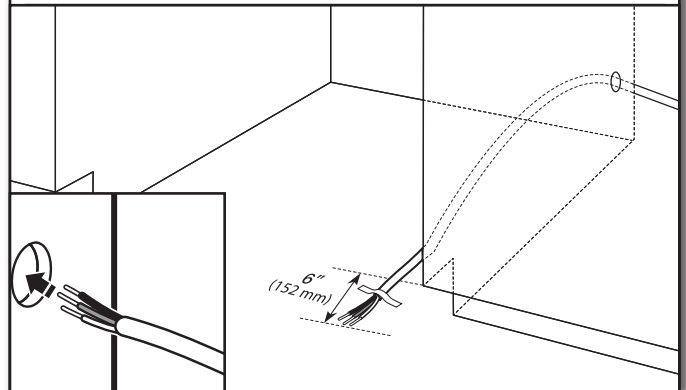


Cut insulation blanket along perforation for cabinet opening height of 33 1/2" (851 mm). For other cabinet opening heights, do not cut the insulation blanket.

ELECTRICAL CONNECTION

- For Direct Wire, begin with Step 7
- For Power Cord, wait until Step 22

7. Direct wire – route cable



If installing with direct wire, route the cable as shown.

Route cable from power supply through cabinet hole. (Cable must extend to the right front side of cabinet opening.) Tape cable to the floor in area shown. This will prohibit cable from moving when dishwasher is moved into cabinet opening.

NOTE: If removing a previous dishwasher with a power cord, you will need to transfer the power cord to the new dishwasher.

PREPARE DISHWASHER

⚠ WARNING



Tip Over Hazard

Do not use dishwasher until completely installed.
Do not push down on open door.
Doing so can result in serious injury or cuts.

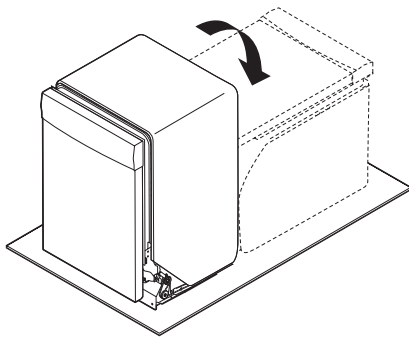
⚠ WARNING

Excessive Weight Hazard

Use two or more people to move and install dishwasher.

Failure to do so can result in back or other injury.

8. Put dishwasher on its back



Helpful Tip: Place cardboard under dishwasher until installed in cabinet opening to avoid damaging floor covering.

Using 2 or more people, grasp sides of dishwasher door frame, and place the dishwasher on its back.

Do not use the door panel as a worktable without first covering it with a towel to avoid scratching the door panel.

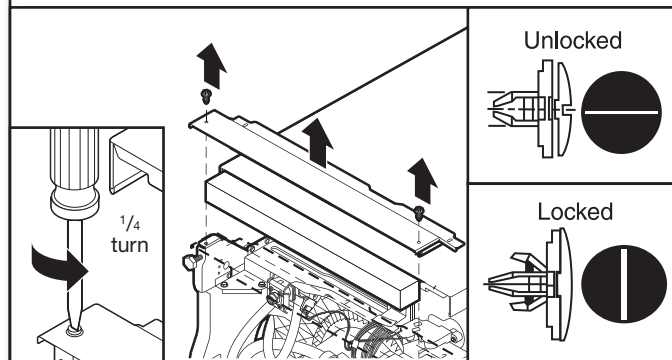
NOTE: On some models, once the dishwasher is on its back, pull on the door handle to remove it from the access panel.

REMOVE ACCESS PANEL

– For Plastic Access Panels, go to Step 9

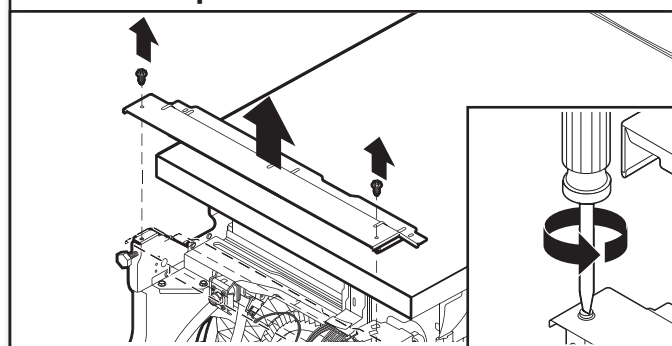
– For Metal Access Panels, go to Step 10

9. Plastic panel



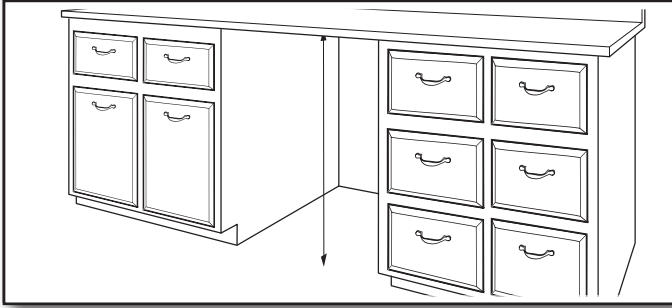
Using a flat-blade screwdriver, turn the plastic fasteners $\frac{1}{4}$ turn counterclockwise to unlock them. Remove panel. Do not remove tech sheet from access panel. Go to Step 11.

10. Metal panel



Using a $\frac{1}{4}$ " nut driver or Phillips screwdriver, remove 2 screws attaching access panel to dishwasher. Do not remove tech sheet from access panel.

11. Measure cabinet opening

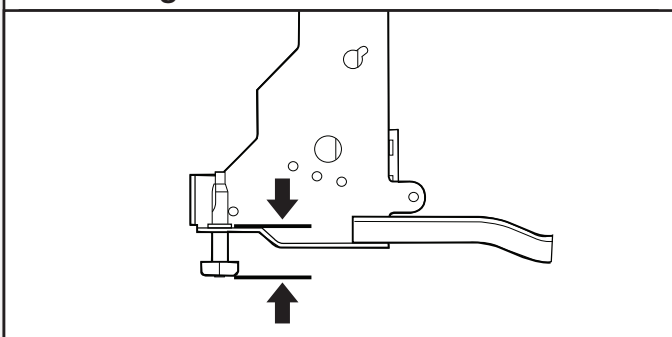


Measure height of cabinet opening from underside of countertop to floor where dishwasher will be installed. Be sure to measure the lowest point on the underside of the countertop and the highest point on the floor.

Dishwasher Height Adjustment Chart

Cabinet opening height	Front legs height	Wheel position	Insulation blanket
33½" (851 mm)	¾" (9.8 mm)	Removed	Cut
34" (864 mm)	9/16" (14 mm)	1	No Cut
34¼" (871 mm)	13/16" (21 mm)	2	No Cut
34½" (876 mm)	11/16" (27 mm)	3	No Cut

Front legs – A

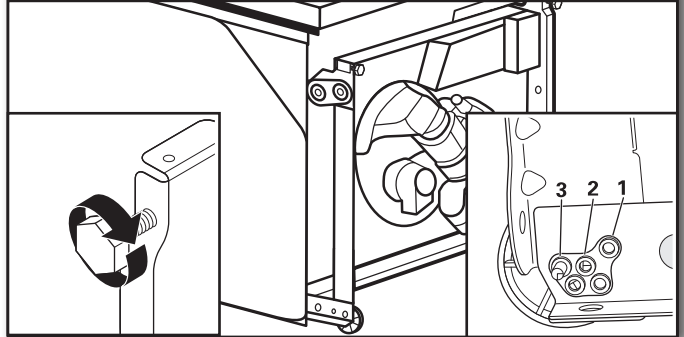


Adjust both front leveling legs to the same height. Put the rear wheels in the correct position according to the "Dishwasher Height Adjustment Chart."

NOTE: If the minimum cabinet opening height is less than 34" (864 mm), the rear wheels can be removed for additional clearance.

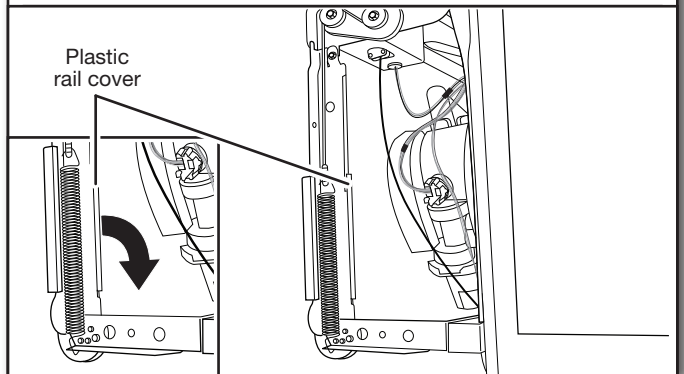
This will allow the dishwasher to fit into a 33½" (851 mm) high cabinet opening, but the dishwasher will be more difficult to move. Measurements are approximate.

12. Adjust wheels and legs



Refer to the "Dishwasher Height Adjustment Chart" for wheel position and for height of front legs needed for your cabinet opening height.

13. Remove plastic rail cover (only on certain models)

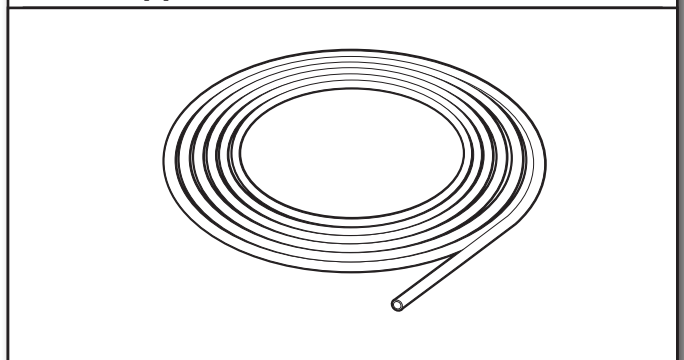


Remove and discard the plastic rail cover on each side of the dishwasher frame. To remove the plastic rail cover, push upward and back to unsnap it from the dishwasher frame.

CONNECT WATER LINE TO FILL VALVE

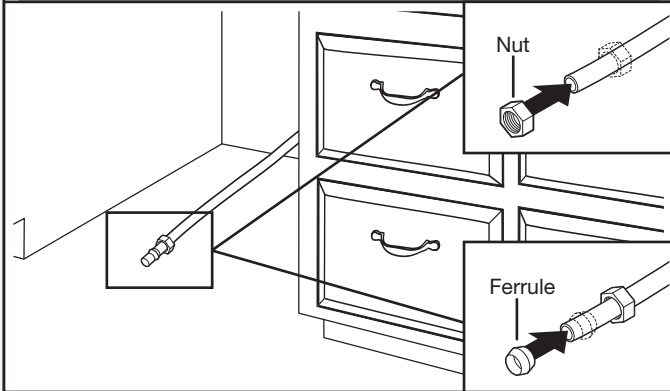
- For Copper line, begin with Step 14
- For Flexible line, begin with Step 16

14. Copper water line



If using copper tubing, measure overall length of copper tubing required to reach the water supply, cut to length, and attach with compression fittings.

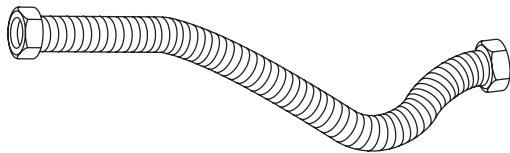
15. Slide nut and ferrule onto tubing (copper tubing only)



Copper tubing only: Put the tubing into the 90° elbow fitting as far as it will go. (The copper tubing bends and kinks easily.) Slide the nut and ferrule forward and start the nut onto the elbow threads.

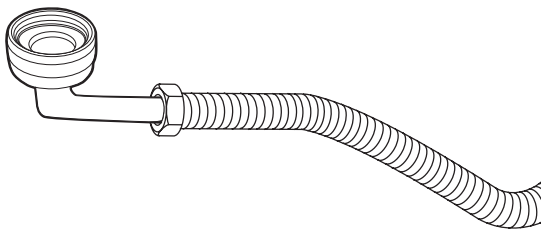
NOTE: To avoid vibration during operation, route the water supply line so that it does not touch the dishwasher base, frame, or motor. Go to Step 17.

16. Flexible line



Flexible braided line: Confirm the flexible braided line is long enough. See the “Tools and Parts” section at the front of the guide for part details and orders.

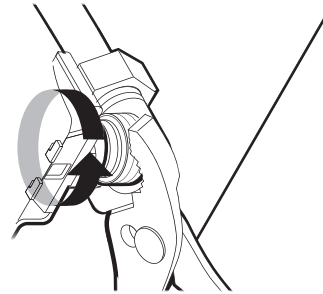
17. Add 90° elbow fitting to the water supply line



Get $\frac{3}{8}$ " compression x $\frac{3}{4}$ " hose fitting with 90° elbow. See the “Tools and Parts” section at the front of the guide for part details and orders. Connect the $\frac{3}{8}$ " compression fitting of the 90° elbow fitting to the water supply line. Attach such that the $\frac{3}{4}$ " connection is facing upward as shown above.

CONNECT FILL HOSE TO FILL VALVE

18. Tighten 90° elbow fitting to valve



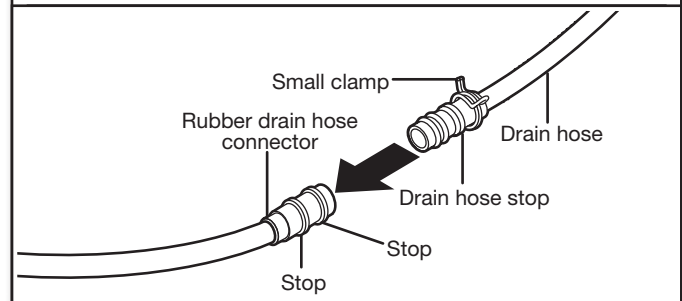
Be sure rubber washer is properly seated in fitting. Slide the $\frac{3}{4}$ " fitting of the 90° elbow up to the valve and hand tighten to avoid cross-threading. Hand tighten until the coupling is tight. Using pliers, check the tightness of the coupling. An additional $\frac{1}{4}$ to $\frac{1}{2}$ turn may be required to seal the rubber gasket. Route fill hose out the rear left side of unit.

NOTES:

- Do not use Teflon[®]† tape with compression fittings.
- Do not over-tighten. Damage to the coupling can result.

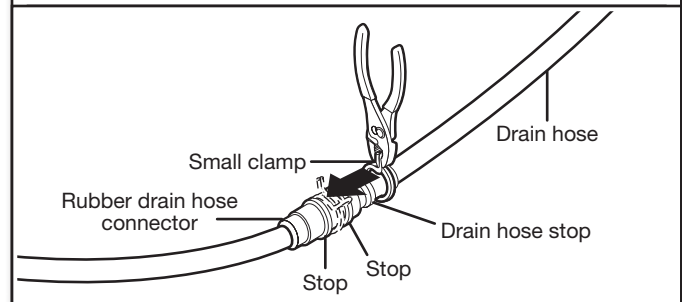
DRAIN HOSE CONNECTION

19. Connect drain hose



Place towel under drain hose to catch any water in drain hose. Place the small (green) drain hose clamp onto the small end of the drain hose. Push the new drain hose into the rubber drain hose connector up to the drain hose stop.

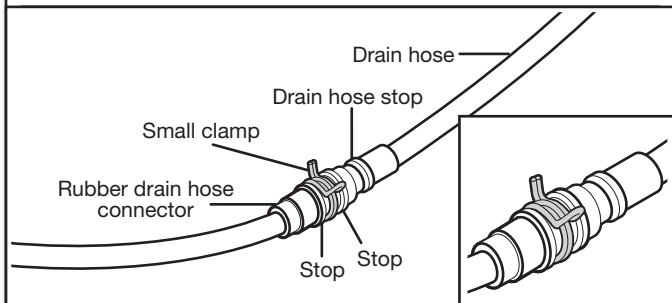
20. Slide clamp onto connector



Using pliers, squeeze open the small drain hose clamp and slide it onto the connector between stops.

†TEFLON is a registered trademark of Chemours.

21. Hose clamp final position

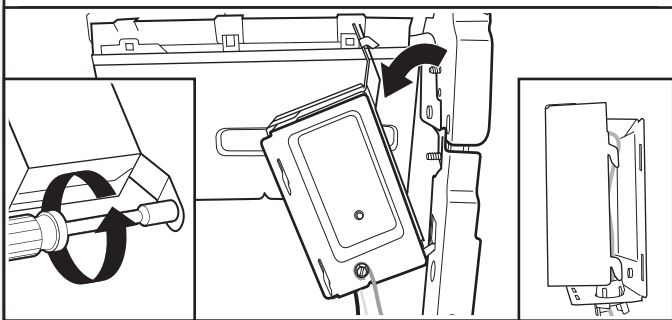


NOTE: Route drain hose out the rear of the dishwasher.

POWER CORD CONNECTION

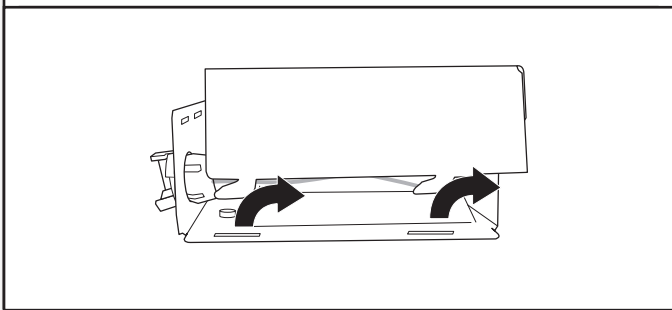
NOTE: If removing a previous dishwasher with a power cord, you will need to transfer the power cord to the new dishwasher.

22. Remove terminal box



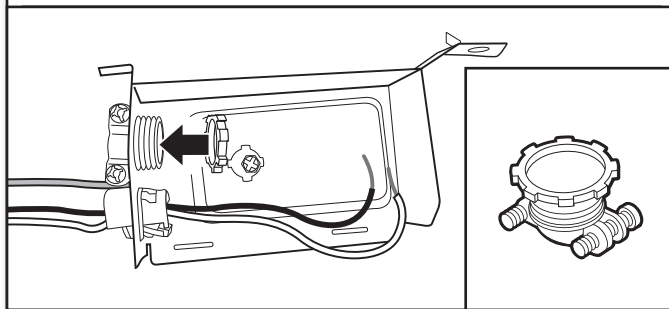
Use a 1/4" nut driver or 1/4" hex head socket wrench to remove the screw that holds the terminal box to the cross brace. Then, tilt the terminal box, free the tab, and lift the terminal box away from the crossbar.

23. Remove cover



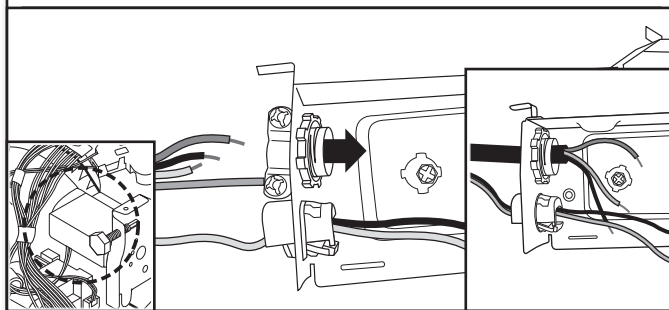
Remove the cover by sliding it up and lifting its hooks out of the slot. Retain cover for later use.

24. Install strain relief



Install a UL Listed/CSA Approved metallic strain relief. Make sure screw heads are facing up when tightening conduit nut. Strain relief is provided with the power cord kit. See the "Tools and Parts" section at the front of the guide for part details and orders.

25. Power cord – route cord into terminal box



Route cord so that it does not touch dishwasher motor or lower part of dishwasher tub. Pull cord through strain relief in terminal box.

NOTE: A maximum of 2 power cord supply conductors (12 AWG largest size) plus 1 grounding conductor are permitted in the terminal box.

⚠ WARNING



Electrical Shock Hazard

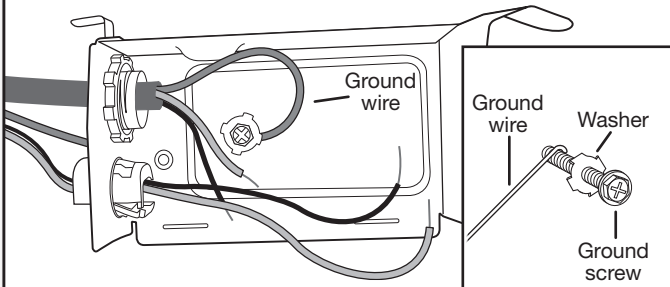
Electrically ground dishwasher.

Connect ground wire to green ground connector in terminal box.

Do not use an extension cord.

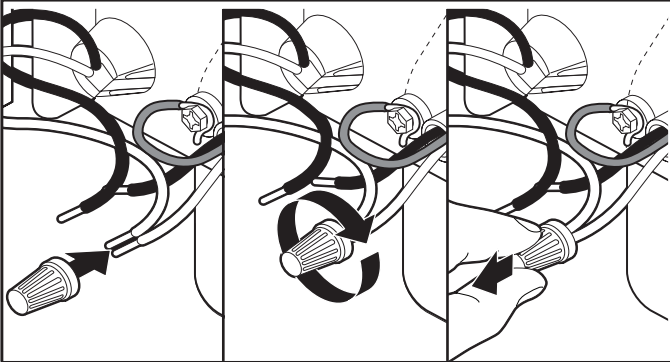
Failure to follow these instructions can result in death, fire, or electrical shock.

26. Power cord – connect ground wire



Remove the ground connector screw on the raised floor inside the box and place it through the ring terminal of the green ground wire of power cord. Reattach and tighten the ground connector screw to the raised floor of the box.

27. Power cord – connect remaining wires



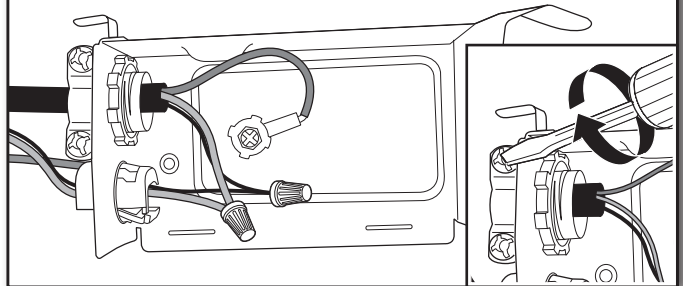
Select UL Listed/CSA Approved twist-on wire connectors of the proper size. See the “Tools and Parts” section at the front of the guide for part details. Connect wires, black-to-black and white-to-white, using the twist-on wire connectors.

NOTE: Do not pre-twist stranded wire. Twist on wire connector. Gently tug on wires to be sure both are secured.

Wiring configuration

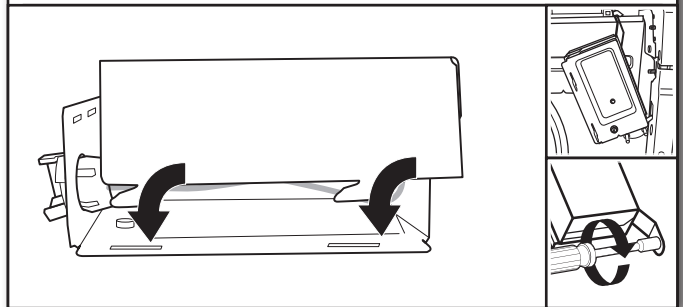
Power supply wire:	←→	Terminal box wire:
white		white
black		black
ground wire		ground connector

28. Power cord – secure cord on strain relief



Tighten strain relief screws to secure cord.

29. Power cord – reinstall terminal box cover and wires



Place wires inside terminal box. Replace the cover by inserting the hooks of the terminal cover into the slots in the floor of the terminal box and sliding the cover tight against the back wall where wires come in. Make sure wires are tucked inside the box and not pinched by the cover.

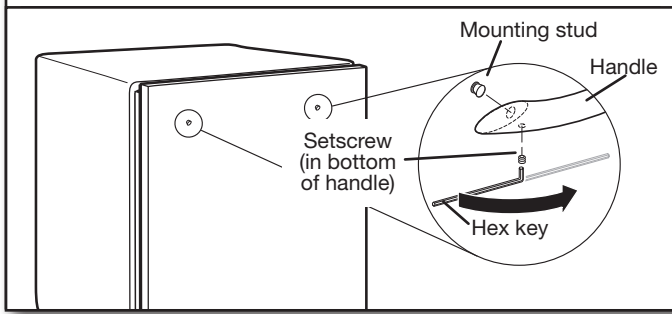
Put the terminal box back on the crossbar with the tab in place. Use a 1/4" nut driver and the screw removed in Step 22 to secure the terminal box to the crossbar.

Once the terminal box has been remounted on the dishwasher, tuck any excess length or slack over nearby components or clip them back into the nearby clips to help keep them off the floor.

NOTE: Route power cord out the rear of the dishwasher. Do not plug cord into an outlet until instructed to do so.

INSTALL DOOR HANDLE (ON SOME MODELS)

30. Install door handle



IMPORTANT: Do not scratch the front panel during this procedure. If door panel has a protective film, peel film back past the point of the handle studs before installing handle. Handle is easiest to install while unit is on its back.

Remove the door handle and hex key from the packaging. Setscrews are already installed in the handle. Place handle on mounting studs with the setscrews facing down. Push the door handle tightly against the door. Insert the short end of the hex key into the setscrews. Tighten the setscrews $\frac{1}{4}$ turn past snug.

Retain hex key with Installation Instructions.

PLACE DISHWASHER IN CABINET

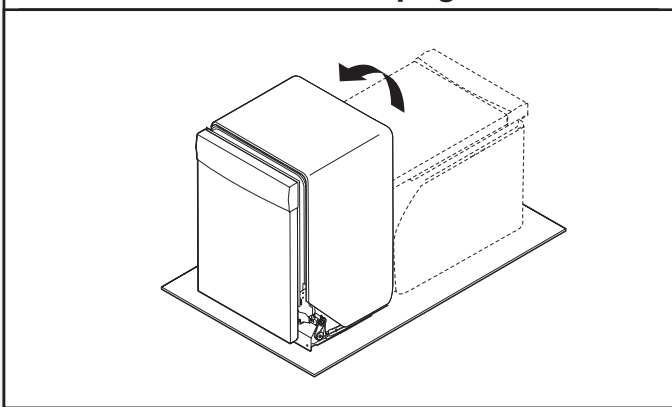
⚠️ WARNING

Excessive Weight Hazard

Use two or more people to move and install dishwasher.

Failure to do so can result in back or other injury.

31. Stand dishwasher upright



Using 2 or more people, stand the dishwasher up.

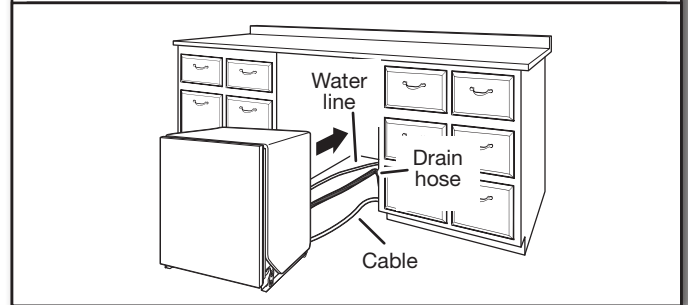
NOTE: Do not install kick plate until instructed to do so.

IMPORTANT: If wheels were removed, cover the floor when moving the dishwasher. Slowly move dishwasher completely into cabinet opening. Do not kink or pinch water line, drain hose, power cord, or direct wire between dishwasher and cabinet. Remove cardboard from under dishwasher.

It is all right if dishwasher fits tightly into cabinet opening. Do not remove insulation blanket – the blanket reduces the sound level.

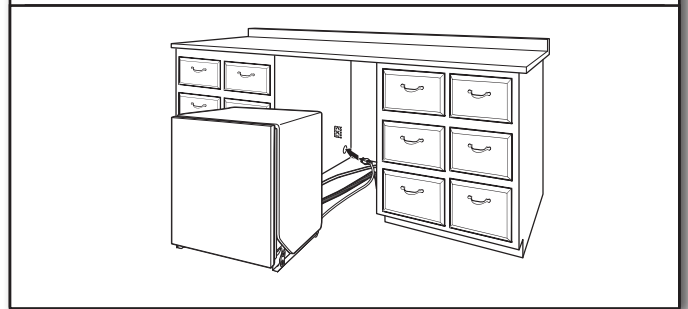
NOTE: Route water supply, drain hose, and power cord out the rear of the dishwasher.

32. Move dishwasher close to cabinet opening



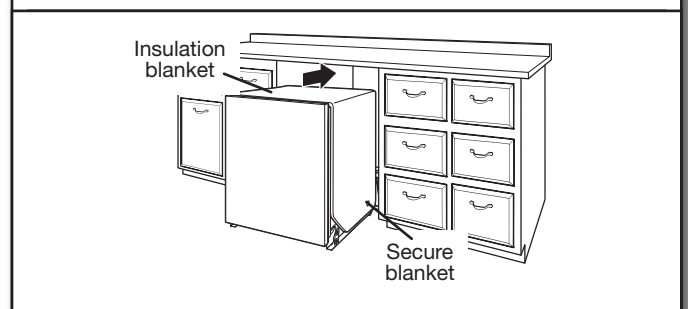
Route the utilities through the holes in the cabinet, and pull the slack out at the same time as the dishwasher is pushed into the cabinet.

33. Route power cord



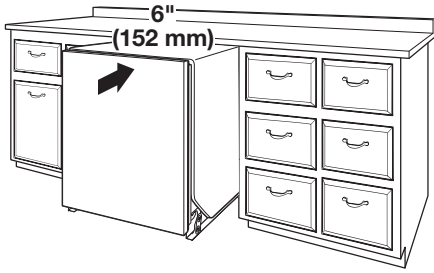
If using a power cord, make sure to route end through hole in cutout before sliding dishwasher into cabinet opening.

34. Secure insulation blanket



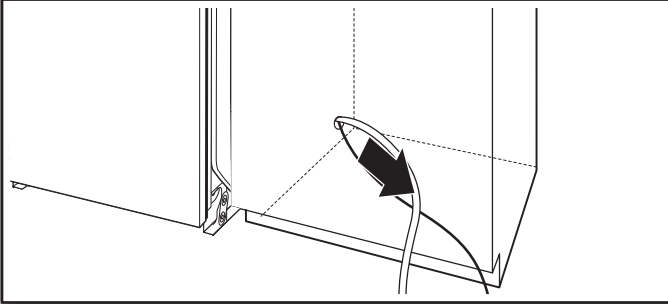
NOTE: Make sure insulation blanket is secured at both left and right rear corners before pushing into cabinet opening to keep the blanket from bunching up in a tight fitting cabinet.

35. Move dishwasher all but 6" (152 mm) into cabinet opening



NOTE: Leave unit about 6" (152 mm) out from cabinet in order to install anchor brackets and adjust door tension if needed.

36. Pull slack from utilities



NOTE: Pull slack out of utilities at the same time the dishwasher is pushed into the cabinet opening to avoid any kinks.

CUSTOM PANEL INSTALLATION (CUSTOM PANEL MODELS ONLY)

For custom panel installation, refer to the Custom Panel Installation Instruction Sheet (Part Number W10750117A). Complete custom panel installation before proceeding to the "Choose Anchor Attachment Method" section.

CHOOSE ANCHOR ATTACHMENT METHOD

IMPORTANT: The dishwasher must be secured to the cabinet as one of the final steps. Prepare the dishwasher for this by attaching the 2 brackets found in the parts bag to the dishwasher.

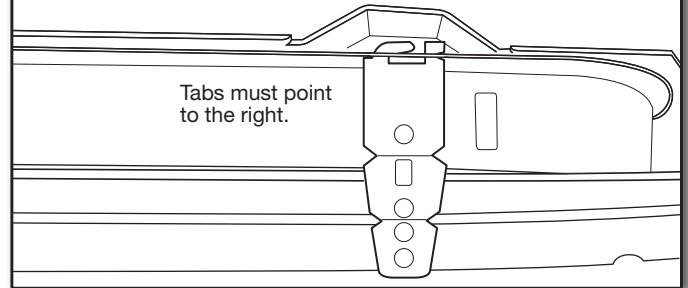
– For countertops that are wood, laminate or another similar surface, use **Countertop Attachment:** go to **Step 37.**

– For countertops that are marble, granite, or another hard surface, use **Side Attachment:** go to **Step 38.**

NOTE: If the gap between the top of the door and the underside of the counter top is tight (less than 1/4" [6,35 mm]), we suggest using Side Attachment to keep from scratching the User Interface or console with the anchor screws.

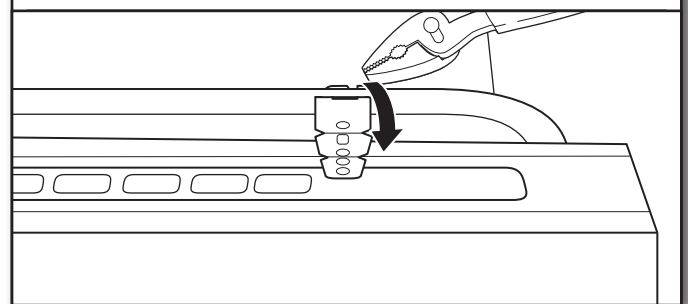
Countertop Attachment:

37. Insert bracket



Remove the brackets from the package, and insert into the open slots on the left- and right-hand top of the dishwasher collar as shown. Go to Step 41.

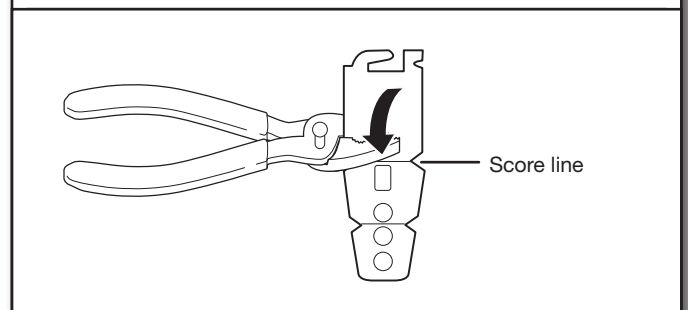
Bend tab



Using pliers, bend/twist tab to lock the brackets in place.

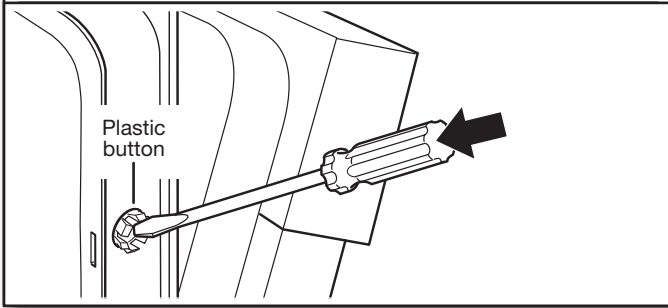
Side Attachment:

38. Break end of bracket



Break off the end of the bracket along the scored line using pliers.

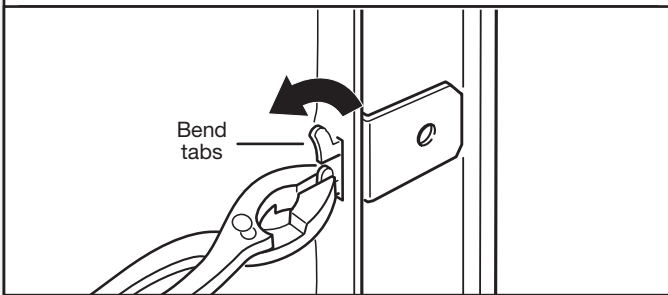
39. Remove plastic buttons



Push the plastic buttons out of the side of the tub.

NOTE: Save the buttons to cover the holes after dishwasher is installed.

40. Install bracket



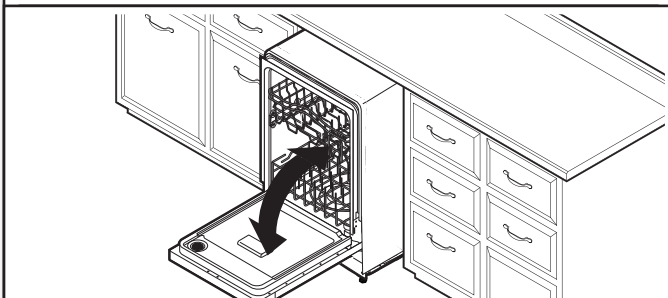
Push bracket into slot on the side of dishwasher, and bend tab in toward the side of the dishwasher so that it keeps the bracket in place. Repeat this step for the other side of the dishwasher.

NOTE: Install wood shims to the inside of the cabinets if the gap between the sides of the cabinet and the sides of the dishwasher are greater than $\frac{1}{2}$ " (13 mm) on each side.

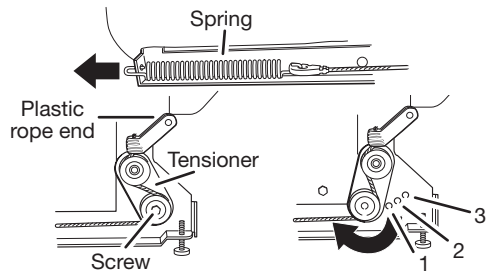
NOTE: Do not attach the dishwasher. This will be done later.

FINAL INSTALLATION CHECK

41. Open and close door



42. Door spring tension adjustment



If door closes too quickly or falls, open and adjust spring tension.

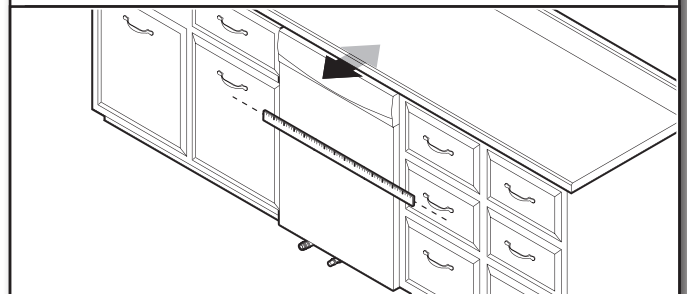
To adjust the door spring tension, remove the white plastic rope end attached to the door hinge. Using a $\frac{5}{16}$ " nut driver or hex socket, remove the screw from the tensioner. The screw can be put into one of 3 holes (1, 2, 3) in the front leg of the dishwasher.

If the door closes by itself: Move the tensioner to a lower-numbered hole and replace the screw. Reattach the white plastic rope end to the door hinge.

If the door opens by itself: Move the tensioner to a higher-numbered hole and replace the screw. Reattach the white plastic rope end to the door hinge.

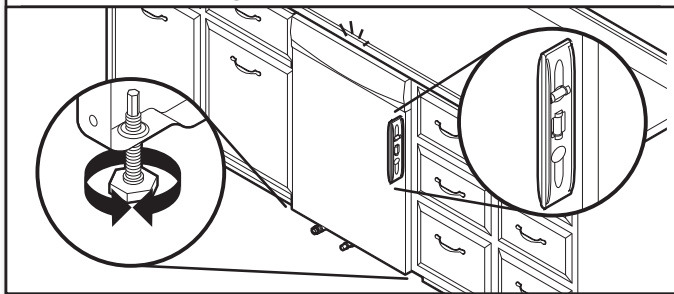
NOTE: Tensioners on both sides of dishwasher should be secured at same holes.

43. Align front of dishwasher with front of cabinet doors



Align front of dishwasher door panel with front of cabinet doors. You may need to adjust alignment to be even with your cabinets.

44. Check for plumb and adjust legs if needed

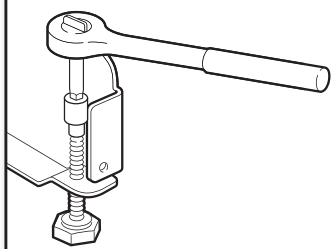


Check that leveling legs are firmly against the floor. Close and latch the door and place level against the front panel. Check that dishwasher is centered from front to back in the opening. If needed, adjust leveling leg until dishwasher is plumb. Repeat for other side of dishwasher.

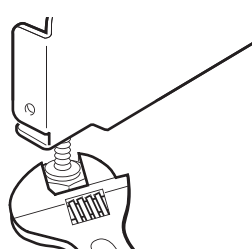
Helpful Tip: Push up on front of dishwasher to raise dishwasher off the ground to adjust front legs. With some installations, it may be easier to adjust the front leg using a $\frac{3}{16}$ " hex head socket or adjustable wrench. If the gap between the top of the door and the underside of the counter top is tight (less than $\frac{1}{4}$ " [6 mm]), we suggest side anchoring to keep from scratching the User Interface or console.

Level legs

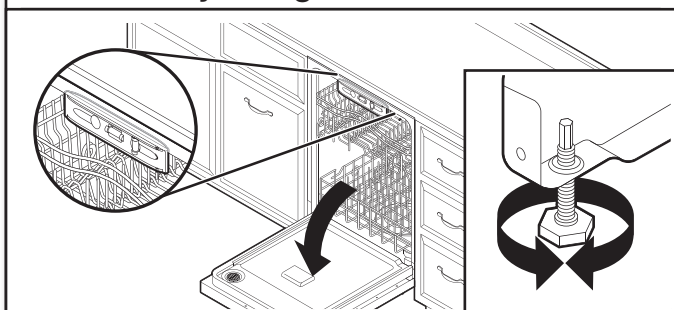
Preferred method



Optional method



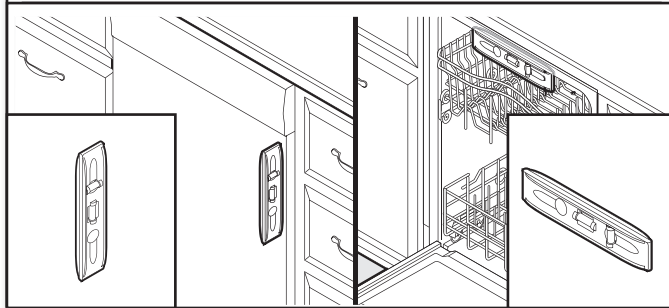
45. Check level side to side and adjust legs if needed



Place level against top front opening of tub. Check that dishwasher is level from side to side. If dishwasher is not level, adjust front legs up or down until dishwasher is level.

SECURE DISHWASHER IN CABINET OPENING

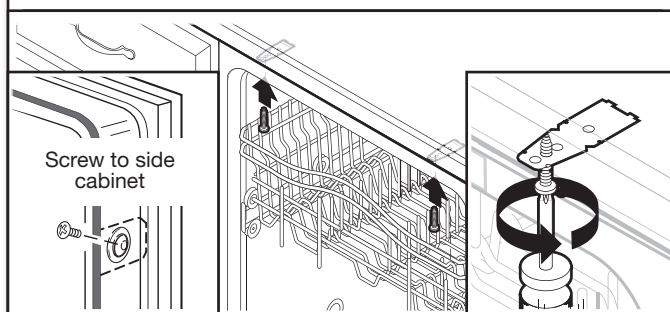
46. Double-check dishwasher alignment in cabinet opening



Check that dishwasher is still level front to back and side-to-side in the cabinet opening.

Open dishwasher door and place towel over pump assembly and spray arm of dishwasher. This will keep screws from falling into pump area when you are securing dishwasher to cabinet.

47. Secure dishwasher

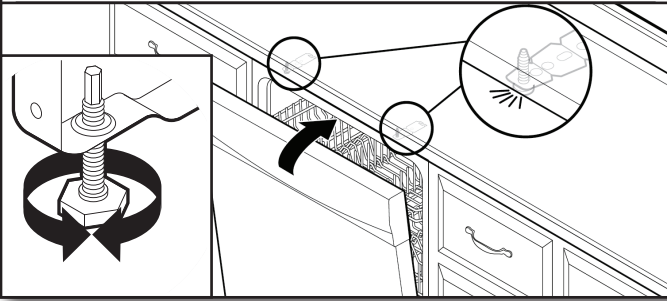


Open dishwasher door to prepare for securing the dishwasher to the countertop or side cabinet.

NOTES:

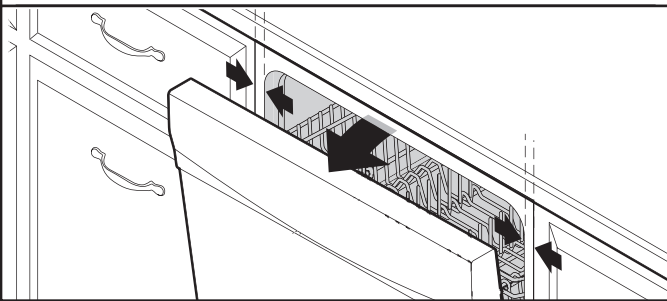
- The dishwasher must be secured to keep it from shifting when the door is opened or closed.
- Do not drop screws into bottom of dishwasher.
- Locate brackets installed in the "Choose Anchor Attachment Method" section, either on top or on the sides of the dishwasher.
- **If countertop anchoring:** Secure dishwasher to the countertop with two #10 x $\frac{1}{2}$ " Phillips-head screws (included).
- **If side anchoring:** Drill pilot holes in cabinet to avoid splitting the wood. Secure dishwasher to cabinet with two #10 x $\frac{1}{2}$ " Phillips-head screws (included). Remove upper rack for easier access. See the Use and Care Guide for instructions how to remove the upper rack if needed.

48. Check door clearance



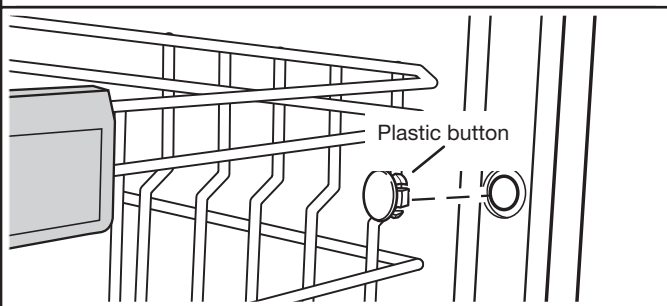
IMPORTANT: Check that top of door does not contact screws, brackets, or countertop. If it does, adjust leveling legs or use the side attachment option.

49. Check inner spacing



Open door and check that space between dishwasher cabinet opening and tub is equal on both sides. If spacing is not equal, loosen bracket screws and shift tub. Tighten bracket screws.

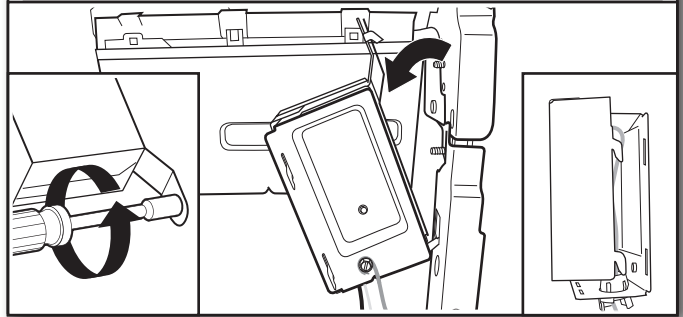
50. Reinstall plastic buttons



If side attachment method was used, reinstall the gray plastic buttons removed in Step 39 to hide the screw holes.

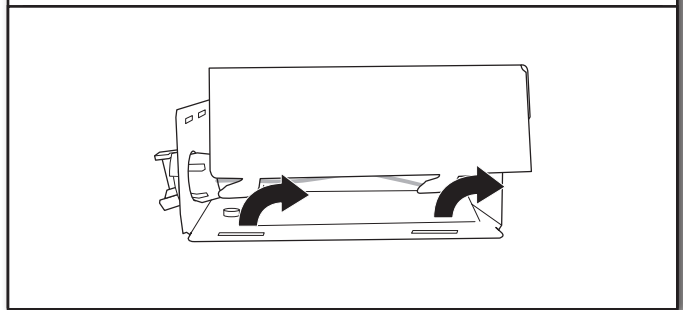
DIRECT WIRE CONNECTION

51. Remove terminal box



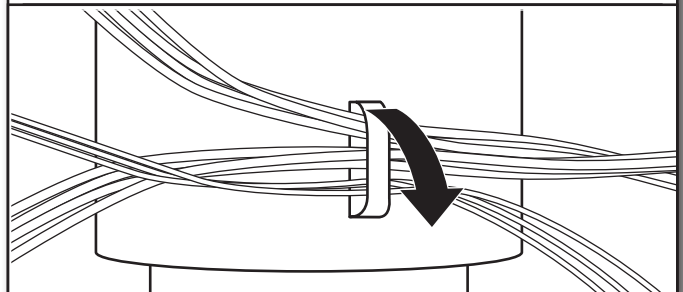
Use a 1/4" nut driver or 1/4" hex head socket wrench to remove the screw that holds the terminal box to the cross brace. Then, tilt the terminal box, free the tab, and lift the terminal box away from the crossbar.

52. Remove cover



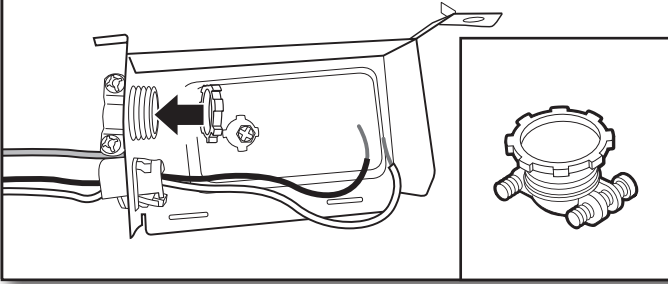
Remove the cover by sliding it up and lifting its hooks out of the slots. Retain cover for later use.

53. Unclip green, white, and black wires



There should be adequate length in the wires to pull the terminal box out from under the dishwasher. Lift the wires off of the nearby clips or components to extend the length of wire harness for easier access.

54. Install strain relief



Install a UL Listed/CSA Approved metallic strain relief. See the “Tools and Parts” section at the front of the guide for part details and orders.

⚠ WARNING



Electrical Shock Hazard

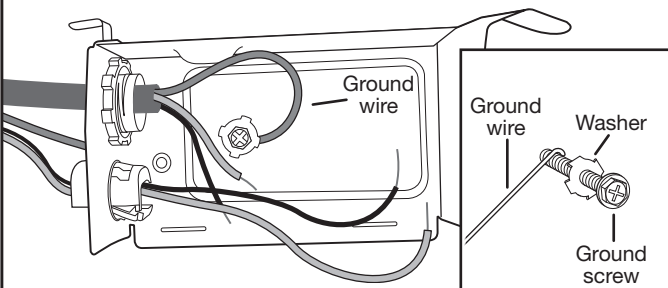
Electrically ground dishwasher.

Connect ground wire to green ground connector in terminal box.

Do not use an extension cord.

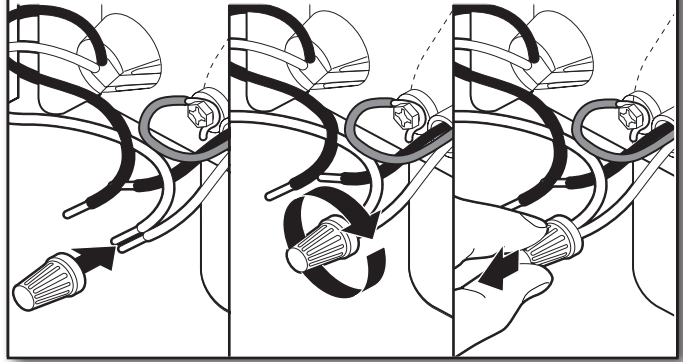
Failure to follow these instructions can result in death, fire, or electrical shock.

55. Direct wire – connect ground wire



Form bare ground wire into a U-shaped hook. Wrap ground wire hook clockwise around the ground connector screw on the raised floor inside the box and under the dishwasher. Securely tighten ground connector.

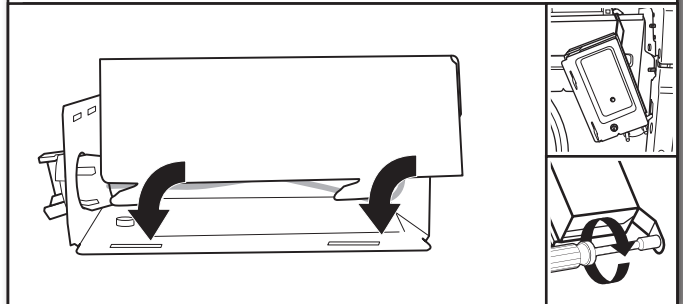
56. Direct wire – connect remaining wires



Select UL Listed/CSA Approved twist-on wire connectors of the proper size. See the “Tools and Parts” section at the front of the guide for part details. Connect wires, black-to-black and white-to-white, using the twist-on wire connectors.

NOTE: Do not pre-twist stranded wire. Twist on wire connector. Gently tug on wires to be sure both are secured.

57. Direct wire – reinstall terminal box cover and wires



Place wires inside terminal box. Replace the cover by inserting the hooks of the terminal cover into the slots in the floor of the terminal box and sliding the cover tight against the back wall where wires come in. Make sure wires are tucked inside the box and not pinched by the cover.

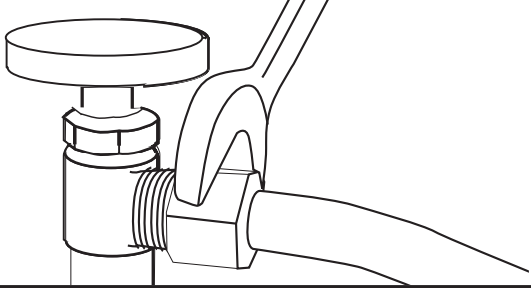
Put the terminal box back on the crossbar with the tab in place. Use a 1/4" nut driver and the screw removed in Step 51 to secure the terminal box to the crossbar.

Once the terminal box has been remounted on the dishwasher, tuck any excess length or slack over nearby components or clip them back into the nearby clips to help keep them off the floor.

CONNECT WATER LINE TO HOUSE SHUT-OFF VALVE

NOTE: If using a flexible braided hose, replace inlet hose after 5 years to reduce the risk of hose failure. Record hose installation or replacement dates on the hose for future reference.

58. Attach water supply line



Attach the water supply line (copper tubing or flexible braided line) to the hot water line using a connection configuration that is in compliance with local codes and ordinances. The water supply to the dishwasher should have a manual shut-off valve located under the sink.

CONNECT DRAIN HOSE

59. Connect drain hose

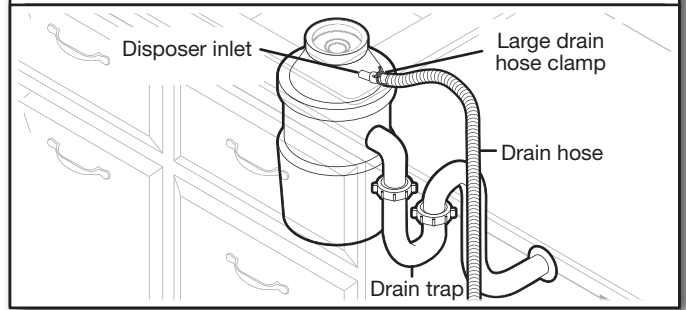
Connect drain hose to waste tee or waste disposer using one of the following options:

- Option A: Waste disposer – no air gap
- Option B: No waste disposer – no air gap
- Option C: Waste disposer – with air gap
- Option D: No waste disposer – with air gap

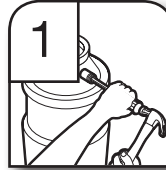
IMPORTANT: The drain hose connection of the disposer or a waste tee must be made before the drain trap and at least 20" (508 mm) above the floor where the dishwasher will be installed.

Helpful Tip: To reduce vibration of the hose, keep the hose away from the floor.

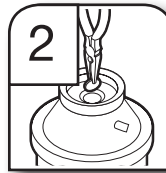
Option A: Waste disposer – no air gap



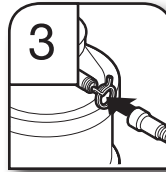
Helpful Tip: Remove disposer knockout plug.



1. Using a hammer and screwdriver, knock plug into disposer.

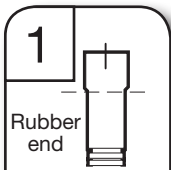
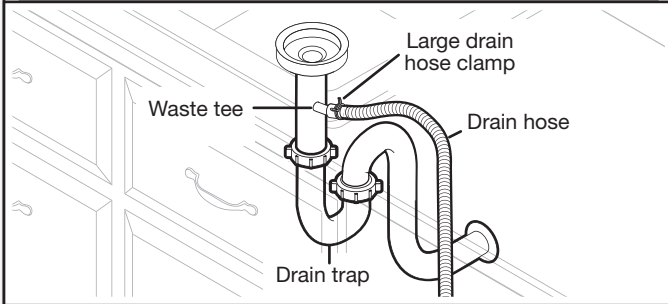


2. Use needle-nose pliers to remove plug.



3. Attach drain hose to disposer inlet with large drain hose clamp (provided). Use pliers to squeeze clamp open and move into position.

Option B: No waste disposer – no air gap



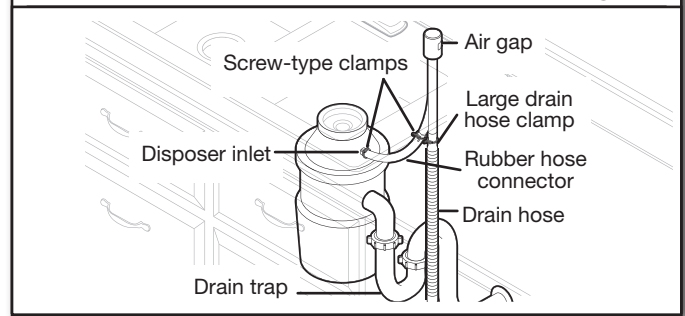
1. Fit rubber end of drain hose to waste tee and cut if needed.

NOTE: Do not cut ribbed section.

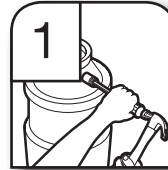


2. Attach rubber end of drain hose to waste tee with a large drain hose clamp (provided). Use pliers to squeeze clamp open and move into position. If the drain hose was cut, use a 1½" to 2" (38 to 50 mm) screw-type clamp (not provided).

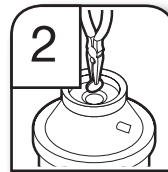
Option C: Waste disposer – with air gap



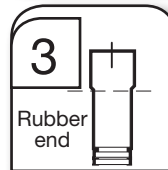
Helpful Tip: Remove disposer knockout plug.



1. Using a hammer and screwdriver, knock plug into disposer.



2. Use needle-nose pliers to remove plug.

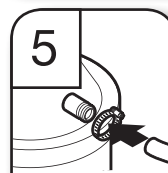


3. Connect rubber end of drain hose to air gap and cut if needed.

NOTE: Do not cut ribbed section.

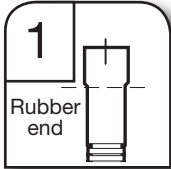
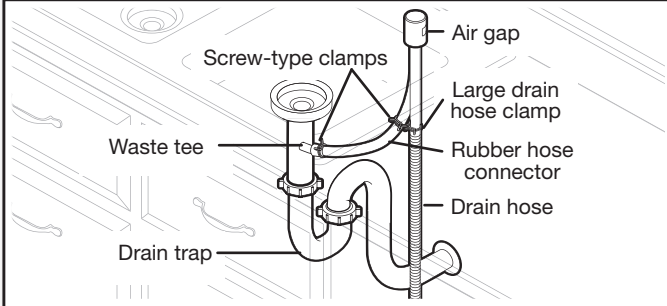


4. Attach drain hose to air gap with large drain hose clamp (provided). Use pliers to squeeze clamp open and move into position. If the drain hose was cut, use a 1½" to 2" (38 to 50 mm) screw-type clamp (not provided).



5. Use a rubber hose (not provided) with screw-type clamps (not provided) to connect from air gap to disposer inlet.

Option D: No waste disposer – with air gap

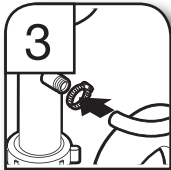


1. Connect rubber end of drain hose to air gap and cut if needed.

NOTE: Do not cut ribbed section.



2. Attach drain hose to air gap with large drain hose clamp (provided). Use pliers to squeeze clamp open and move into position. If the drain hose was cut, use a 1 1/2" to 2" (38 to 50 mm) screw-type clamp (not provided).



3. Use a rubber hose (not provided) with screw-type clamps (not provided) to connect from waste tee to air gap.

COMPLETE INSTALLATION

Check that the power supply wire or cord does not touch dishwasher motor or the lower part of the dishwasher tub.

⚠ WARNING



Electrical Shock Hazard

Plug into a grounded 3 prong outlet.

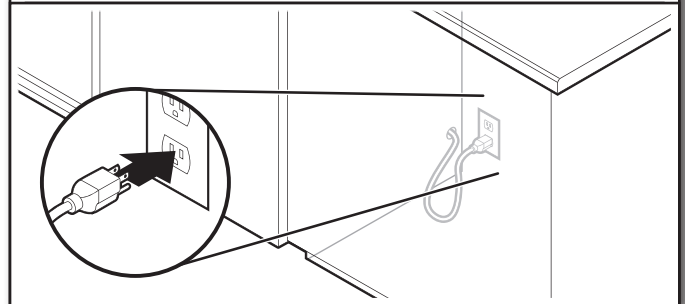
Do not remove ground prong.

Do not use an adapter.

Do not use an extension cord.

Failure to follow these instructions can result in death, fire, or electrical shock.

60. Power supply cord – Plug into a grounded 3 prong outlet



Plug into a grounded 3 prong outlet.

61. Reconnect power

Reconnect electrical power at the fuse box or circuit breaker box.

NOTE: With the access panel off, start the dishwasher and allow it to complete the shortest wash cycle. After the first 2 minutes, unlatch door, wait 5 seconds, then open door. Check that there is water in the bottom of the dishwasher tub. Check that dishwasher is working properly.

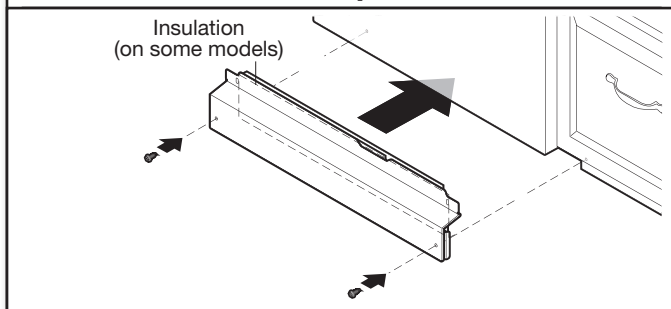
INSTALL ACCESS PANEL

– For Plastic: Begin with Step 62

– For Metal: Begin with Step 65

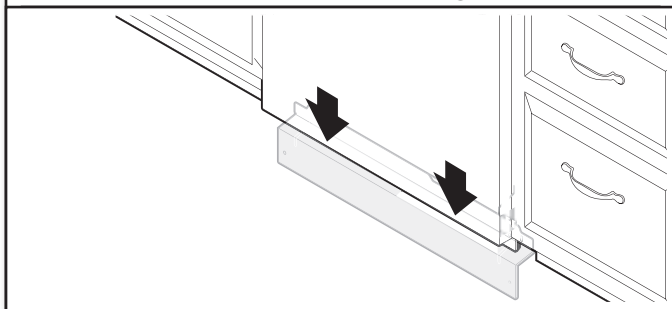
Plastic Panel:

62. Reinstall access panel and fasteners



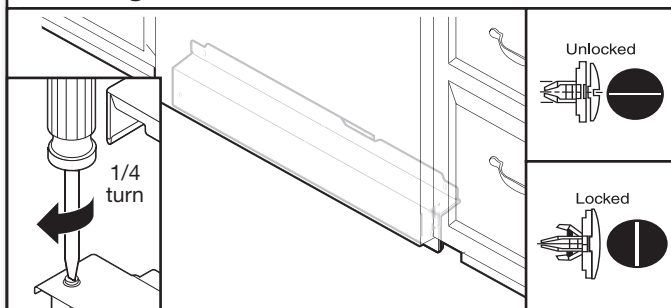
Place the plastic access panel against the dishwasher leg. Make sure insulation does not interfere with the float assembly.

63. Check access panel edge



Check that the lower edge of the access panel touches the floor. Adjust if necessary.

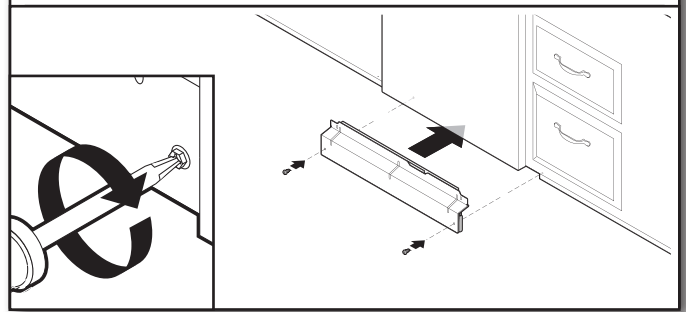
64. Tighten fasteners



Using a flat-blade screwdriver, turn the fasteners $\frac{1}{4}$ turn clockwise to lock into place. The fastener slot will be straight up and down when properly locked. Go to Step 67.

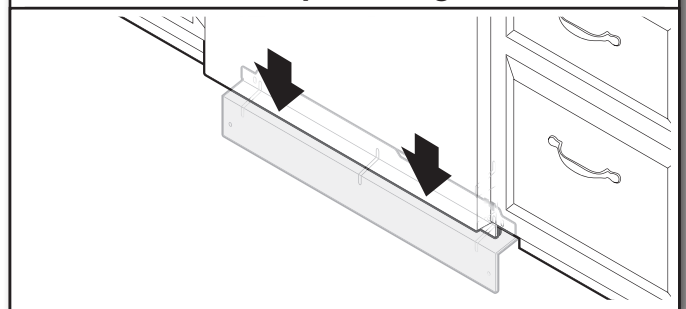
Metal Panel:

65. Reinstall access panel



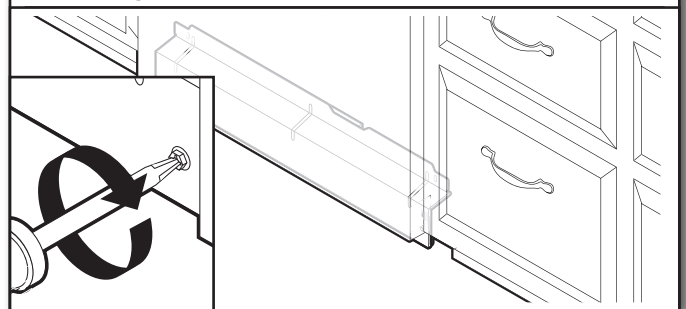
Place the panel against dishwasher legs. Using a Phillips screwdriver or $\frac{1}{4}$ " nut driver, reinstall the screws through the holes in the access panel.

66. Check lower panel edge



Check that the lower edge of the access panel touches the floor. Adjust if necessary.

67. Tighten screws



Tighten access panel screws.

CHECK OPERATION

- Read the dishwasher User Guide that came with your dishwasher.
- Check that all parts have been installed and no steps were skipped. Check that you have all tools used.

If the dishwasher is not working properly, disconnect power or unplug dishwasher and refer to the “If Dishwasher Does Not Operate” section.

IF DISHWASHER DOES NOT OPERATE

First try the solutions suggested here to possibly avoid the cost of a service call.

- Has the circuit breaker tripped or the house fuse blown?
- Is the door closed tightly and latched?
- Has the cycle been set correctly to start the dishwasher?
- Is the water turned on?

If none of these possible solutions work, please see the User Guide for service contact information.

ADDITIONAL TIPS

Expect longer wash times. Your new dishwasher will average 2-5 hours per load but use nearly 40% less energy than older models. Designed with a low wattage, low energy consumption motor, your dishwasher washes longer to ensure exceptional cleaning. Certain models are equipped with an optical water sensor, so the first cycle will run longer to calibrate to optical sensor. Selecting certain options could increase cycle time past 3.5 hours.

Rinse Aid is necessary for good drying results:

This dishwasher is designed to be used with rinse aid for good drying performance and controlling hard water deposit buildup. Energy efficient dishwashers use less water and energy, so they depend on the water sheeting action of rinse aid for good drying performance.

Start/Resume light may flash:

When pressing Start/Resume, you must make sure the door is closed within 3 seconds. If you do not close the door within 3 seconds, the Start/Resume light will flash until you press it again. (You must also do this when adding a dish during the middle of a cycle.)

ÍNDICE

SEGURIDAD DE LA LAVAVAJILLAS	28	Conexión de la manguera de desagüe.....	39
REQUISITOS DE INSTALACIÓN	29	Conexión del cable de alimentación.....	39
Herramientas y piezas	29	Instalación del asa de la puerta	41
Requisitos de ubicación	31	Coloque la lavavajillas en el gabinete.....	41
Medidas del producto y de la abertura del gabinete.....	32	Instalación del panel personalizado	42
Requisitos de desagüe.....	33	Selección del método de sujeción de anclaje	42
Requisitos del suministro de agua.....	33	Verificación final de la instalación.....	43
Requisitos eléctricos.....	33	Fijación de la lavavajillas a la abertura del gabinete.....	45
INSTRUCCIONES DE INSTALACIÓN	34	Conexión por cable directo	46
Preparación de la abertura del gabinete:		Conexión de la tubería de agua a la válvula de cierre	
instalaciones nuevas.....	34	de la casa	47
Instalación de la barrera contra la humedad opcional	34	Conexión de la manguera de desagüe.....	47
Conexión eléctrica	35	Finalización de la instalación	50
Preparación de la lavavajillas.....	36	Instalación del panel de acceso	50
Retiro del panel de acceso	36	Comprobación del funcionamiento	51
Conexión de la tubería de agua a la válvula de llenado	37	Funcionamiento inadecuado de la lavavajillas	51
Conexión de la manguera de llenado a la válvula		Consejos adicionales.....	51
de llenado	38		

SEGURIDAD DE LA LAVAVAJILLAS

Su seguridad y la seguridad de los demás es muy importante.

Hemos incluido muchos mensajes importantes de seguridad en este manual y en su electrodoméstico. Lea y obedezca siempre todos los mensajes de seguridad.



Este es el símbolo de alerta de seguridad.

Este símbolo le llama la atención sobre peligros potenciales que pueden ocasionar la muerte o una lesión a usted y a los demás.

Todos los mensajes de seguridad irán a continuación del símbolo de advertencia de seguridad y de la palabra "PELIGRO" o "ADVERTENCIA". Estas palabras significan:

⚠ PELIGRO

Si no sigue las instrucciones de inmediato, usted puede morir o sufrir una lesión grave.

⚠ ADVERTENCIA

Si no sigue las instrucciones, usted puede morir o sufrir una lesión grave.

Todos los mensajes de seguridad le dirán el peligro potencial, le dirán cómo reducir las posibilidades de sufrir una lesión y lo que puede suceder si no se siguen las instrucciones.

⚠ ADVERTENCIA



Peligro de Vuelco

No use la lavavajillas antes de estar completamente instalada.

No se apoye en la puerta abierta.

No seguir estas instrucciones puede ocasionar heridas serias o cortaduras.

Usted necesita:

- Abra despacio la puerta de la lavavajillas mientras otra persona agarra la parte posterior de la lavavajillas. Retire los materiales de embalaje y la manguera de desagüe. Cierre la puerta de la lavavajillas hasta que quede asegurada.

NOTA: Cada lavavajillas se prueba en la fábrica y puede contener agua residual en la tina debido a la prueba.

- Respete todos los códigos y ordenanzas aplicables.
- Instale esta lavavajillas como indican estas instrucciones.
- La instalación se debe llevar a cabo por un técnico de servicio cualificado.
- La lavavajillas se debe instalar conforme a todos los códigos y ordenanzas relativas a la electricidad y plomería nacionales y locales.

Se debe tener cuidado al instalar o desinstalar el electrodoméstico para reducir la posibilidad de dañar el cable de alimentación.

ADVERTENCIA: Para reducir el riesgo de descarga eléctrica, incendio o daños a personas, el instalador debe comprobar que la lavavajillas quede totalmente enclaustrada tras la instalación.

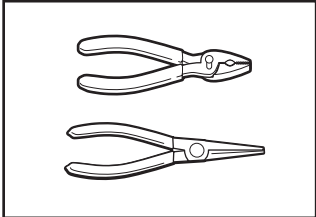
REQUISITOS DE INSTALACIÓN

HERRAMIENTAS Y PIEZAS

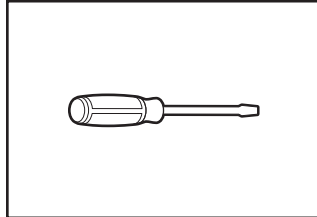
Reúna todas las herramientas y piezas recomendadas antes de comenzar la instalación. Lea y siga las instrucciones proporcionadas con cualquiera de las herramientas mencionadas aquí.

Todas las instalaciones

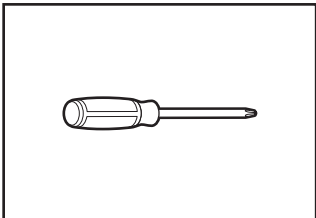
Herramientas necesarias:



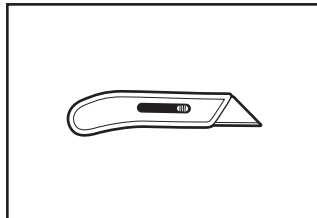
Alicates



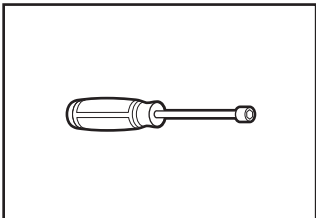
Destornillador de hoja plana



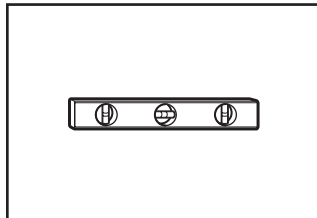
Destornillador Phillips



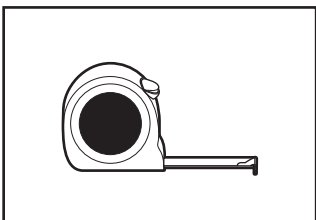
Cuchillo para uso general



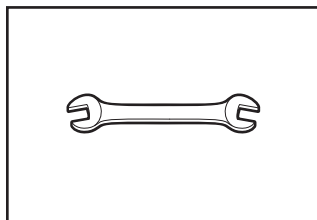
Aprietatuercas o llaves de tubo de 5/16" y 1/4"



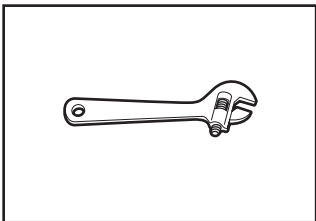
Nivel pequeño



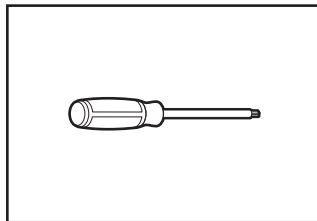
Cinta de medir o regla



Llave fija de 5/8"

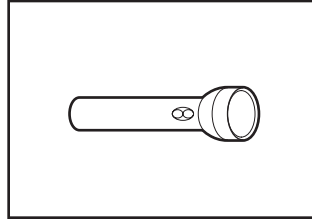


Llave ajustable de 10" que se abra hasta 1 1/8" (29 mm)

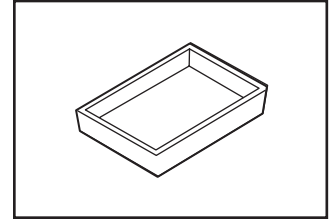


Destornilladores Torx^{®†} T20[®] y, si se instalan paneles frontales a la medida, Torx[®] T15[®]

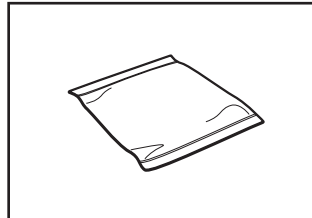
Otros elementos útiles que puede necesitar:



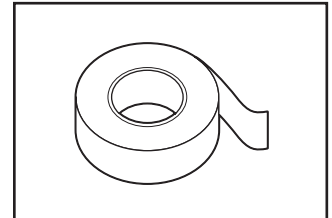
Linterna



Bandeja llana

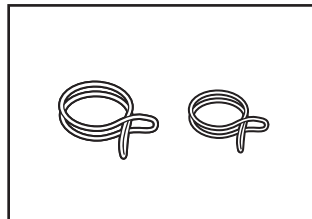


Toalla de baño



Cinta para ductos o cinta adhesiva protectora

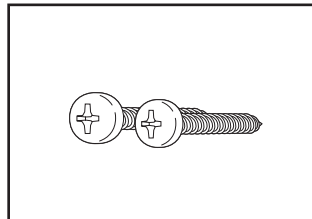
Piezas suministradas:



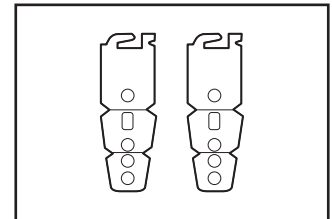
Abrazaderas para manguera de desagüe (2) (1 grande/roja y 1 pequeña/verde)



Manguera de desagüe

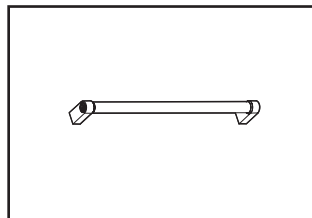


Tornillos Phillips (2) n.º 10 x 1/2"



Soportes de montaje bajo barra de cocina (2)

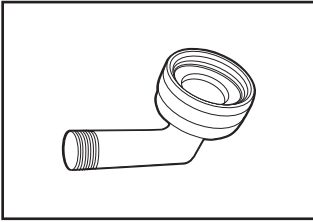
Compruebe que se han incluido todas estas piezas en el paquete con el material impreso. Si no se han incluido piezas, contacte con nosotros a través del teléfono gratuito o visite nuestra página web mencionada en la Guía del usuario.



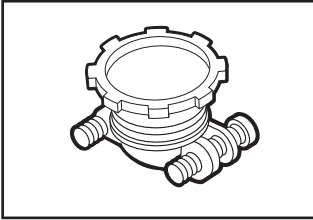
Asa de la puerta (en algunos modelos)

†[®]TORX, T15, y T20 son marcas registradas de Acument Intellectual Properties, LLC.

Otras piezas requeridas (no proporcionadas):

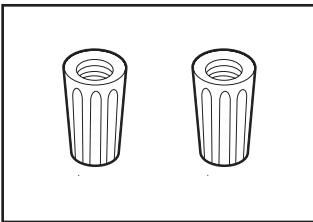


Racor de manguera con conexión de compresión de 3/8" (9,8 mm) x 3/4" (19 mm) con junta de goma y codo de 90° (necesario para conectar de forma adecuada la tubería de agua del hogar a la lavavajillas) (número de referencia de pieza Whirlpool W10685193)



Protector de cables (de metal) para cableado doméstico que encaje en un orificio de 7/8" (22 mm) (necesario para fijar de forma correcta el cableado del hogar a la caja de terminales de la lavavajillas) (número de referencia de pieza Whirlpool 4396672)

NOTA: Utilice solo piezas con certificación UL/homologación CSA.



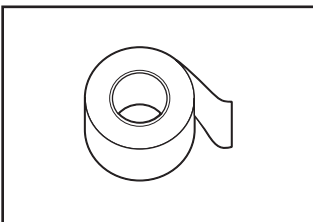
Conectores de torsión

NOTAS:

- Compruebe el tamaño adecuado para conectar el calibre del cableado del hogar al calibre 16 de la lavavajillas.
- Utilice solo piezas con certificación UL/homologación CSA.

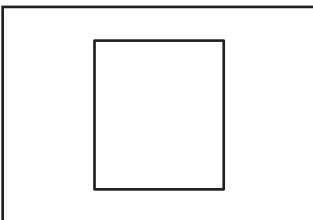
Contacte con nosotros mediante el número gratuito o visite nuestra página web mencionada en la Guía del usuario para los números de pieza anteriormente mencionadas, o bien contacte con un punto local de distribución de componentes eléctricos/plomería para la pieza equivalente.

Piezas opcionales disponibles:



Cinta de barrera contra la humedad

NOTA: La cinta de barrera contra la humedad es un nivel de protección adicional y opcional para la instalación de una lavavajillas bajo una barra de cocina de madera. (Número de referencia de pieza Whirlpool 4396277)



Kit de panel lateral

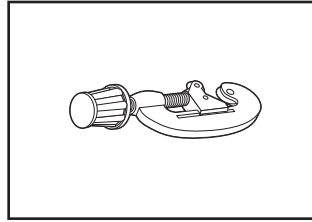
Para cubrir el lado de la lavavajillas al instalarla en el extremo de un conjunto de gabinetes. (El número de referencia de pieza Whirlpool varía según el color)

Contacte con nosotros mediante el número gratuito o visite nuestra página web mencionada en la Guía del usuario para los números de pieza anteriormente mencionados.

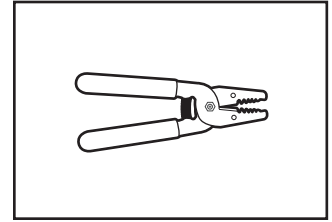
Instalaciones nuevas

Compruebe los códigos locales. Compruebe el suministro eléctrico existente. Consulte la sección "Requisitos eléctricos". Se recomienda que todas las conexiones eléctricas se realicen por un instalador eléctrico autorizado.

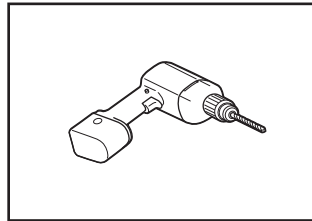
Herramientas adicionales requeridas:



Cortador de tubos pequeño

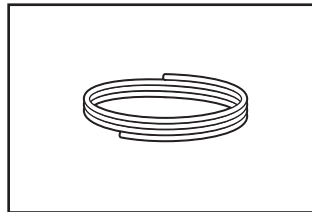


Pelacables

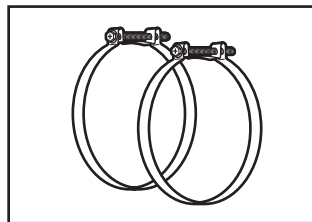


Taladro inalámbrico con fresas de 1/2" (12,7 mm), 3/4" (19 mm), y 1 1/2" (38 mm).

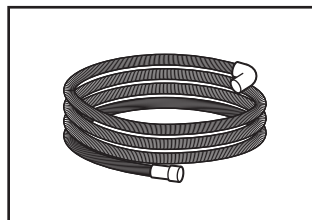
Herramientas adicionales requeridas (no proporcionadas):



Canalización de cobre (se recomienda un diámetro exterior de 9,8 mm, 3/8") o kit de tubería trenzada flexible de suministro de agua (número de pieza de Whirlpool W10278635RP). El kit incluye la manguera trenzada y el racor de manguera con conexión de compresión de 3/8" (9,8 mm) x 3/4" (19 mm)



Abrazaderas de tipo tornillo 1 1/2" – 2" (38 – 50 mm) (máximo 3)



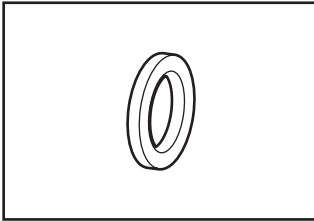
Longitud máxima de la manguera de desagüe más larga opcional 3,7 m (12 pies) (número de referencia de pieza Whirlpool 3385556)

NOTA: Debe estar conforme a los estándares de comprobación AHAM/IAPMO, compatible con una conexión de desagüe de 1" (25 mm), y ser resistente al calor y al detergente

Contacte con nosotros mediante nuestro número gratuito o visite nuestra página web mencionada en la Guía del usuario para los números de pieza anteriormente mencionadas, o bien contacte con un distribuidor local de plomería para la pieza equivalente.

NOTA: Si se utiliza una manguera trenzada flexible, sustituya la manguera de entrada después de 5 años para reducir el riesgo de fallas. Apunte las fechas de instalación o sustitución en la manguera para su consulta en el futuro.

Para cable directo

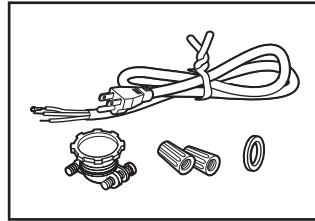
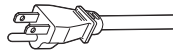


Pasacables de gabinete

Para orificio de 1 1/2" (38 mm) en el gabinete.
(Número de referencia de pieza Whirlpool 302797)

NOTA: Requerido para gabinetes de metal

Para cable de alimentación



Kit de cable eléctrico

El kit incluye generalmente el cable eléctrico, protector de cables de metal, pasacables y conectores de torsión.
(Número de referencia de pieza Whirlpool 4317824)

Contacte con nosotros mediante nuestro número gratuito o visite nuestra página web mencionada en la Guía del usuario para los números de pieza anteriormente mencionadas, o bien contacte con un distribuidor local de productos eléctricos para la pieza equivalente.

REQUISITOS DE UBICACIÓN

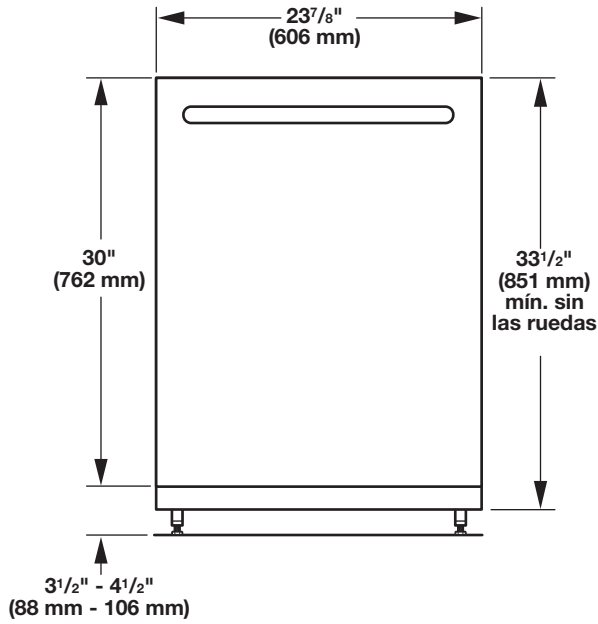
La lavavajillas debe estar totalmente enclaustrada (cara superior, lateral, posterior e inferior) tras la instalación. Un kit de panel lateral está disponible mediante el distribuidor para la instalación de la lavavajillas en un extremo del conjunto de gabinetes.

También está disponible un accesorio de barrera contra la humedad opcional para la instalación bajo una barra de cocina de madera. Consulte la sección "Herramientas y piezas" al principio de la guía para los detalles de pieza.

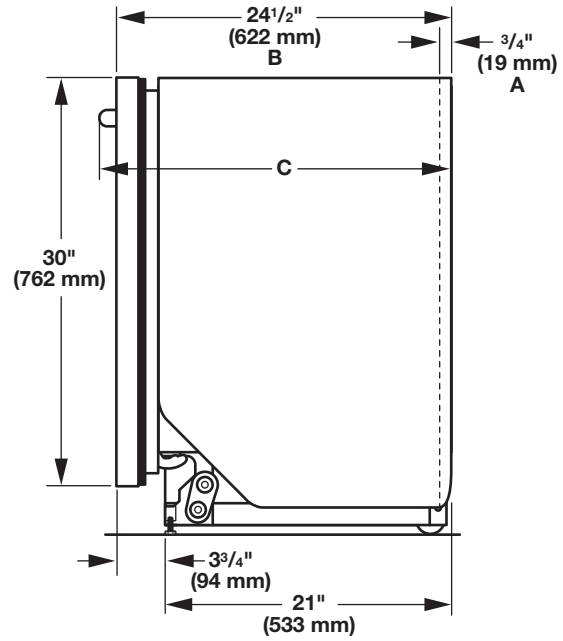
Revise la ubicación donde se instalará la lavavajillas. La ubicación debe ofrecer:

- Un acceso adecuado para cargar y descargar la vajilla. Las ubicaciones en esquinas requieren de un huelgo mínimo de 2" (51 mm) entre el lado de la puerta de la lavavajillas y la pared o el gabinete.
- Un acceso fácil a los sistemas de agua, electricidad y desagüe:
 - Se requiere un suministro eléctrico conectado a tierra.
 - Esta lavavajilla tiene una función de calentamiento de agua y también requiere una conexión a una línea de suministro de agua caliente.
 - Compruebe que las tuberías, los cables y el desagüe estén dentro de la zona sombreada que se muestra en la sección "Dimensiones del producto y de la abertura del gabinete".
 - No pase las líneas de desagüe, de agua o el cableado eléctrico por donde puedan interferir o hacer contacto con el motor o las patas de la lavavajillas.
 - Proteja la lavavajillas y las tuberías de agua que van a la lavavajillas contra el congelamiento. Los daños ocasionados por congelamiento no están cubiertos bajo la garantía.
NOTA: Si no se va a utilizar la lavavajillas durante un tiempo o si se encuentra en un punto donde pueda sufrir riesgo congelación, solicite a personal de servicio autorizado que la acondicione para el invierno.
 - Si se instala en una construcción nueva, drene la tubería de suministro de agua para eliminar residuos antes de conectarla a la válvula de llenado. Si no se desagua, los residuos del suministro de agua pueden obstruir el filtro de la válvula de llenado.
- Una abertura cuadrada para el funcionamiento y la apariencia adecuados.
- La parte frontal del gabinete debe estar perpendicular respecto al piso.
- Un piso nivelado.
Consejo útil: si el piso frente a la abertura no está nivelado con el piso detrás de la abertura, se pueden utilizar suplementos para nivelar la lavavajillas.
NOTA: Para evitar que se muevan durante el funcionamiento de la lavavajillas, los suplementos deben estar sujetos firmemente al piso.
- La ubicación donde se instalará la lavavajillas debe ofrecer huelgo entre el motor y el piso. El motor no debe hacer contacto con el piso.
- No instale la lavavajillas sobre pisos alfombrados.

Medidas del producto y de la abertura del gabinete

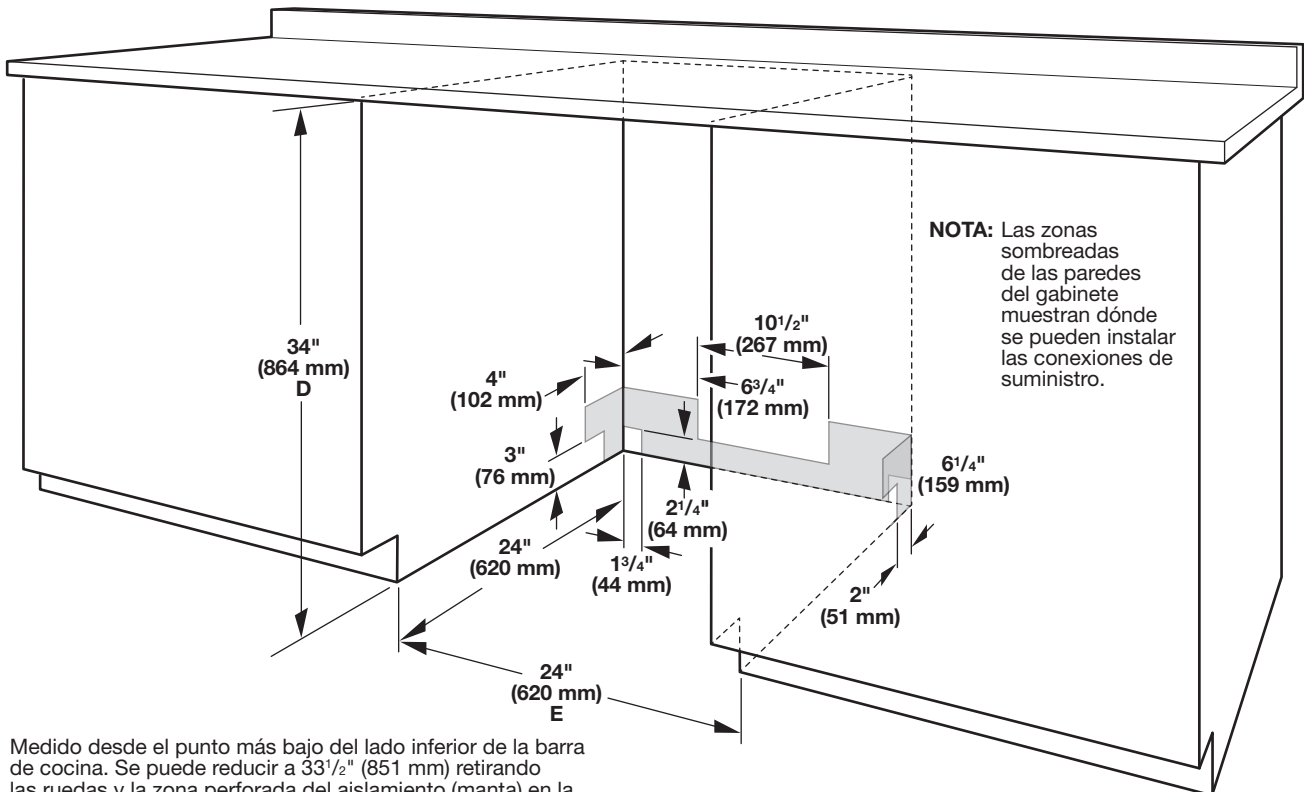


Para un zócalo de 4" (100 mm), la altura de la abertura del gabinete es de 34 1/2" (863 mm).



- A. El aislamiento puede estar comprimido (no se utiliza para todos los modelos).
- B. Para los modelos adaptados a la instalación de panel, la profundidad de la lavavajillas es de 24" (610 mm) sin incluir el panel de la puerta a la medida de 3/4" (19 mm).
- C. Las asas de la puerta pueden sobresalir del lado frontal de la lavavajillas, dependiendo del modelo.

Compruebe que ninguna superficie presente protuberancias que puedan impedir la instalación de la lavavajillas.



NOTA: Las zonas sombreadas de las paredes del gabinete muestran dónde se pueden instalar las conexiones de suministro.

D. Medido desde el punto más bajo del lado inferior de la barra de cocina. Se puede reducir a 33 1/2" (851 mm) retirando las ruedas y la zona perforada del aislamiento (manta) en la lavavajillas.

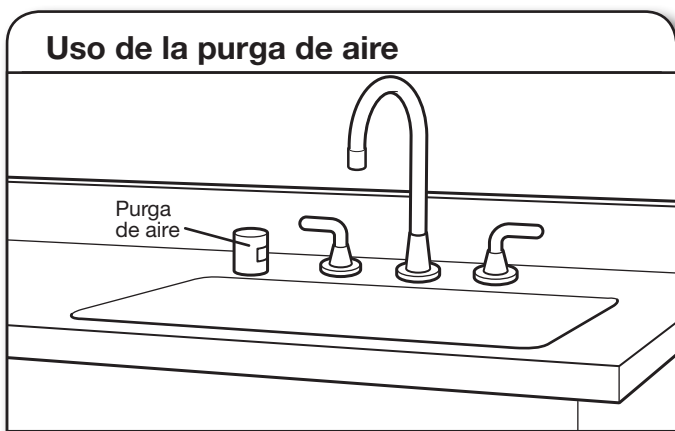
E. Mínimo, medido desde el punto más estrecho de la abertura

REQUISITOS DE DESAGÜE

- Se provee una manguera nueva de desagüe con su lavavajillas. Si la manguera de desagüe no es lo suficientemente larga, utilice una manguera de desagüe nueva con una longitud máxima de 12 pies (3,7 m) que cumpla con todos los estándares de comprobación actuales de AHAM/IAMPO, que sea resistente al calor y al detergente, y que encaje en el conector de desagüe de 1" (25 mm) de la lavavajillas. Consulte la sección "Herramientas y piezas" al principio de la guía para los detalles y pedidos de pieza.

NOTA: No use múltiples mangueras de desagüe.

- Asegúrese de conectar la manguera de desagüe al conector de residuos en "T" o a la entrada del colector de residuos sobre el sifón de desagüe en la plomería de la casa, y a un mínimo de 20" (508 mm) por encima del piso. Se recomienda que la manguera de desagüe se enrolle y fije con firmeza a la parte inferior de la barra de cocina, o que se conecte a una purga de aire.
- Asegúrese de utilizar una purga de aire si la manguera de desagüe está conectada a la plomería de la casa a una altura menor de 20" (508 mm) sobre el contrapiso o el piso.



- Si se requiere, la purga de aire se debe instalar siguiendo las instrucciones de instalación de la misma. Al conectar la purga de aire, se requiere una manguera de goma (no proporcionada) para conectar al tubo de residuos en "T" o la entrada del colector de residuos.
- Utilice racores para líneas de desagüe con un diámetro interior mínimo de 1/2" (12,7 mm).

REQUISITOS DEL SUMINISTRO DE AGUA

- Esta lavavajilla tiene una función de calentamiento de agua y también requiere una conexión a una línea de suministro de agua caliente.
- Un plomero cualificado puede comprobar una tubería de agua caliente con una presión de agua de 20 a 120 psi (138 a 862 kPa).
- Temperatura del agua en la lavavajillas de 120 °F (49 °C).
- Tubería de cobre con un diámetro externo de 3/8" con racor a compresión o tubería trenzada flexible de suministro de agua. Consulte la sección "Herramientas y piezas" al principio de la guía para los detalles y pedidos de pieza.

NOTA: No es conveniente utilizar una tubería de plástico de 1/2" como mínimo.

- Un codo de 90° con una conexión de manguera de 3/4" y con una arandela de goma. Consulte la sección "Herramientas y piezas" al principio de la guía para los detalles y pedidos de pieza.
- No suelde a una distancia inferior a 6" (152 mm) de la válvula de entrada del agua.
- Si la instalación se realiza en una construcción nueva, asegúrese de drenar las tuberías de suministro de agua del hogar antes de conectar la lavavajillas para eliminar cualquier residuo que pueda haber en la tubería de suministro.

NOTA: Si se sustituye una lavavajillas, se recomienda instalar una tubería de agua (consulte la sección "Herramientas y piezas" al principio de la guía para los detalles de pieza) y una manguera de desagüe (proporcionada) nuevas con la lavavajillas nueva.

REQUISITOS ELÉCTRICOS

Asegúrese de que la conexión eléctrica y el tamaño del cable sean adecuados y de conformidad con el Código Nacional Eléctrico, ANSI/NFPA 70 - última edición y con todos los códigos y ordenanzas locales.

Puede obtener una copia de las normas de los códigos arriba indicadas en:

National Fire Protection Association
1 Batterymarch Park
Quincy, MA 02169-7471

Se requiere:

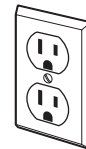
- Un suministro eléctrico de 120 voltios, 60 hertzios, solo CA, de 15 o 20 amperios y protegido con fusibles.
- Solo cable de cobre.
- La caja de terminales admite un máximo de dos conductores de suministro de cableado de campo (tamaño máximo 12 AWG) y un conductor a tierra en la caja de terminales.

Se recomienda:

- Un fusible retardador o un cortacircuitos
- Un circuito separado

Conexión de la lavavajillas con un cable de alimentación:

- Utilice un cable de alimentación con certificación UL para su uso con la lavavajillas. Consulte la sección "Herramientas y piezas" al principio de la guía para los detalles y pedidos de pieza.
- Conecte el producto a una toma de 3 terminales con conexión a tierra. La toma debe respetar todos los códigos y ordenanzas locales.



Conexión de la lavavajillas con cableado directo:

- Utilice un cable de cobre flexible, blindado o con una funda no metálica con un cable de conexión a tierra que cumpla con los requisitos de cableado para su hogar y con los códigos y ordenanzas locales.
- Utilice un protector de cables con certificación UL/homologación CSA. Consulte la sección "Herramientas y piezas" al principio de la guía para los detalles y pedidos de pieza.



INSTRUCCIONES DE INSTALACIÓN

⚠️ ADVERTENCIA



Peligro de Choque Eléctrico

Desconecte el suministro de energía en la caja de fusibles o cortacircuitos antes de instalar la lavavajillas.

No seguir esta instrucción puede ocasionar la muerte o choque eléctrico.

1. Desconecte el suministro eléctrico

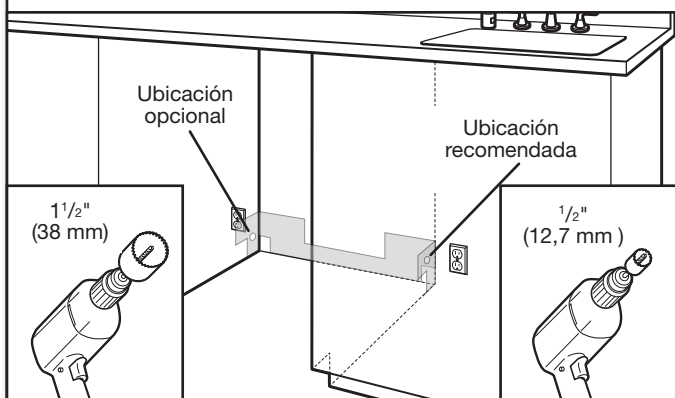
Desconecte el suministro eléctrico en la caja de fusibles o la caja de cortacircuitos antes de instalar la lavavajillas.

2. Cierre el suministro de agua

Cierre el suministro de agua a la lavavajillas.

PREPARACIÓN DE LA ABERTURA DEL GABINETE: INSTALACIONES NUEVAS

3. Ubicaciones de creación de orificios: construcción nueva



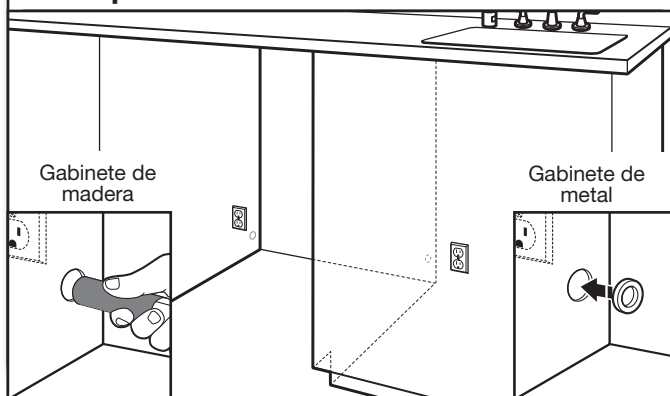
NOTA: Consulte la sección “Medidas del producto y de la abertura del gabinete” para la ubicación correcta del orificio y las medidas de la zona sombreada.

Taladre un orificio para la manguera de desagüe de 1 1/2" (38 mm) en la parte trasera o lateral del gabinete, dependiendo de la ubicación del paso de la manguera de desagüe y de la conexión a la manguera de desagüe.

Taladre un orificio para la manguera de suministro de agua de 1 1/2" (12,7 mm) en la parte trasera o lateral del gabinete, dependiendo de la ubicación del paso de la manguera de suministro de agua y de la ubicación de la conexión.

Taladre un orificio de 1 1/2" (38 mm) para el orificio del cable eléctrico en la parte derecha o trasera del gabinete.

4. Lije los orificios hasta que queden lisos



Gabinete de madera: lije el orificio hasta que quede liso.

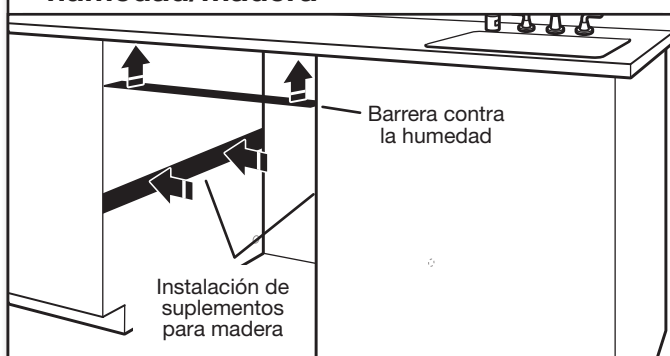
Gabinete de metal: cubra los bordes del orificio con el pasacables incluido en el kit del cable de alimentación. Consulte la sección “Herramientas y piezas” al principio de la guía para los detalles de pieza.

Consejo útil: Las conexiones a la lavavajillas son más sencillas si se dirige el cable al interior de la abertura del gabinete desde el lado derecho.

INSTALACIÓN DE LA BARRERA CONTRA LA HUMEDAD OPCIONAL –

RECOMENDADO PARA BARRAS DE COCINA DE MADERA

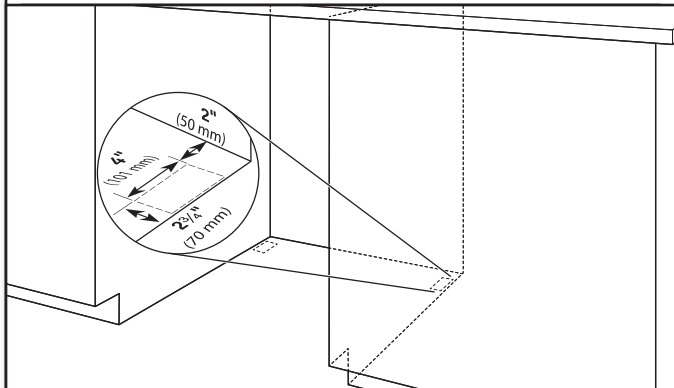
Suplementos para barrera contra la humedad/madera



Consulte la sección “Herramientas y piezas” al principio de la guía para los detalles y pedidos de pieza. Compruebe que la zona bajo el gabinete esté limpia y seca para la instalación de la barrera contra la humedad. Retire la parte trasera de la barrera contra la humedad y aplique a la parte inferior de la barra de cocina a lo largo del borde delantero.

NOTA: Instale suplementos de madera si el anclaje lateral y el huelgo entre los lados del gabinete y de la lavavajillas son superiores a 1/2" (12,7 mm) a cada lado, o si son superiores a la longitud de los tornillos de anclaje laterales.

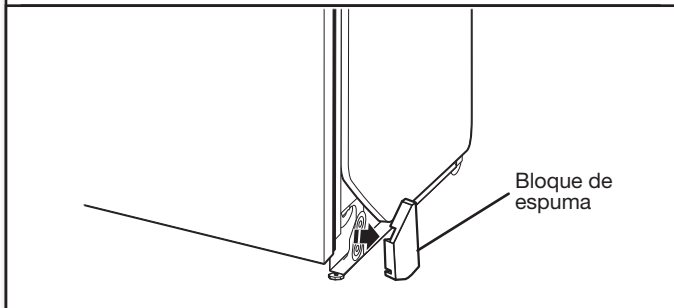
5. Pisos falsos: añade suplementos según sea necesario



Pisos falsos: Si el piso de la cocina es más alto que el piso de la abertura del gabinete, por ejemplo, si las baldosas del piso de la cocina no se extienden hasta el interior de la abertura del gabinete, añade suplementos según sea necesario en la zona que se muestra para elevar la lavavajillas hasta 34" (864 mm) debajo de la barra de cocina.

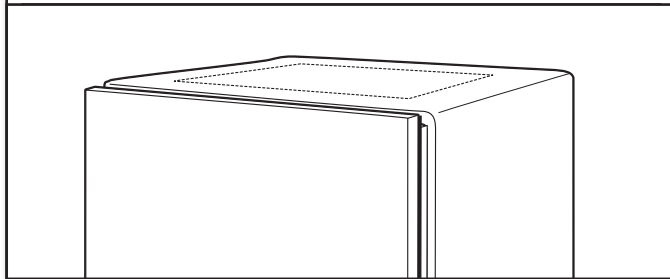
NOTA: los suplementos se deben sujetar al piso con firmeza para evitar el movimiento cuando la lavavajillas esté en uso.

6. Retire el bloque de espuma



Retire y deseche los bloques de espuma (si están presentes; no todos los modelos los incluyen) situados sobre las patas delanteras a cada lado de la lavavajillas. Los bloques cubren las poleas de cable/cadena en la lavavajillas.

Instalación en una abertura de 33 1/2" (851 mm)

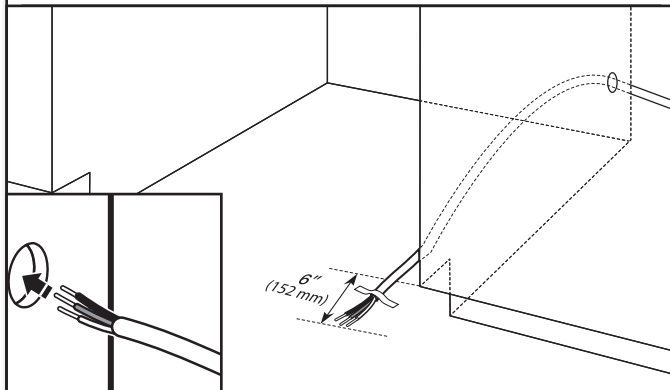


Recorte la manta aislante a lo largo de la línea de puntos para una altura de abertura de gabinete de 33 1/2" (851 mm). Para otras alturas de gabinete, no recorte la manta aislante.

CONEXIÓN ELÉCTRICA

- Para un cable directo, continúe con el paso 7
- Para un cable de alimentación, espere al paso 22

7. Cable directo: paso del cable



Para la instalación con cable directo, disponga el cable como se indica.

Dirija el cable desde el suministro de energía a través del orificio en el gabinete (el cable se debe extender hacia el lado derecho frontal de la abertura del gabinete). Pegue el cable al piso con cinta adhesiva en la zona indicada. Esto evitará que se mueva al colocar la lavavajillas dentro de la abertura del gabinete.

NOTA: si se retira una lavavajillas anterior con cable de alimentación, debe conectar dicho cable a la lavavajillas nueva.

PREPARACIÓN DE LA LAVAVAJILLAS

⚠ ADVERTENCIA



Peligro de Vuelco

No use la lavavajillas antes de estar completamente instalada.

No se apoye en la puerta abierta.

No seguir estas instrucciones puede ocasionar heridas serias o cortaduras.

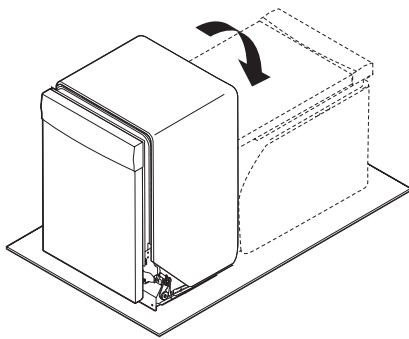
⚠ ADVERTENCIA

Peligro de Peso Excesivo

Use dos o más personas para mover e instalar la lavavajillas.

No seguir esta instrucción puede ocasionar una lesión en la espalda u otro tipo de lesiones.

8. Coloque la lavavajillas sobre su lado posterior



Consejo útil: Coloque un cartón debajo de la lavavajillas y no lo quite hasta que quede instalada en la abertura del gabinete para no dañar el revestimiento del piso.

Con la ayuda de dos o más personas, sujete los lados del marco de la puerta de la lavavajillas y apoye la lavavajillas sobre su parte posterior.

No utilice el panel de la puerta como mesa de trabajo sin antes cubrirlo con una toalla para no rayarlo.

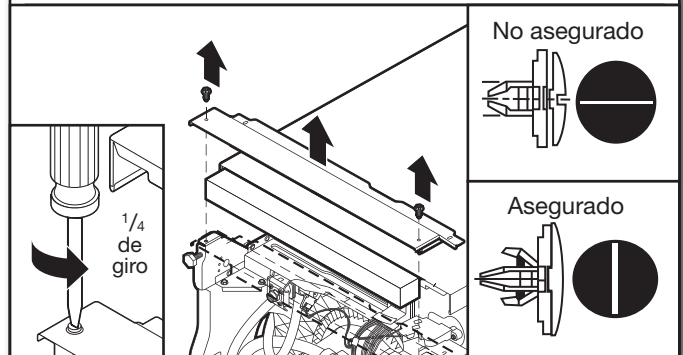
NOTA: Para algunos modelos, cuando la lavavajillas esté apoyada sobre su parte trasera, tire del asa de la puerta para retirarla del panel de acceso.

RETIRE EL PANEL DE ACCESO

– Para paneles de acceso de plástico, continúe con el paso 9

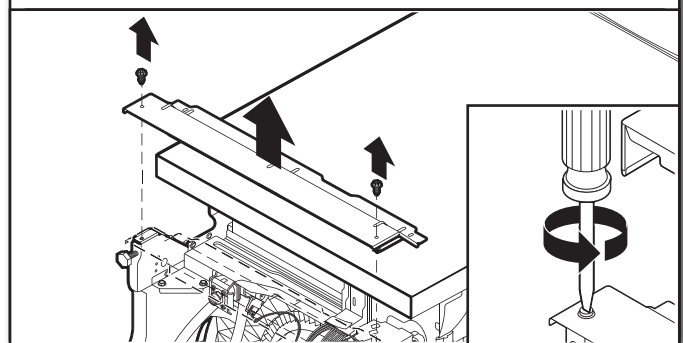
– Para paneles de acceso metálicos, continúe con el paso 10

9. Panel de plástico



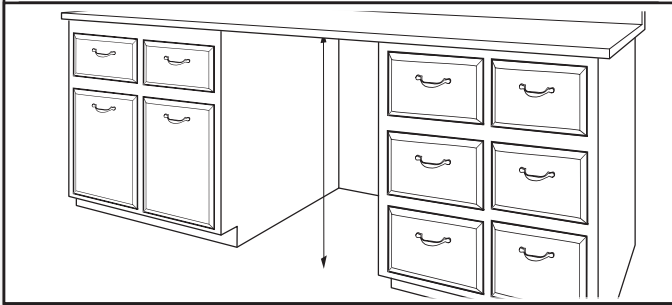
Utilice un destornillador plano para girar los elementos de sujeción de plástico $\frac{1}{4}$ de giro hacia la izquierda para soltarlos. Quite el panel. No quite la hoja técnica del panel de acceso. Vaya al paso 11.

10. Panel de metal



Utilice una llave de tuercas de $\frac{1}{4}$ " (6 mm) o un destornillador Phillips para retirar los dos tornillos que fijan el panel de acceso a la lavavajillas. No quite la hoja técnica del panel de acceso.

11. Mida la abertura del gabinete

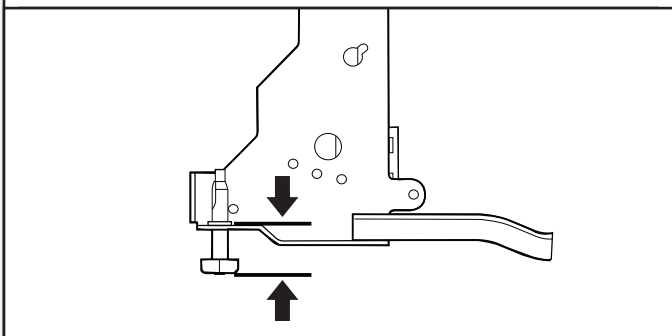


Determine la altura de la abertura del gabinete del lado inferior de la barra de cocina al piso donde se va a instalar la lavavajillas. Asegúrese de medir desde el punto más bajo del lado inferior de la barra de cocina y desde el punto más elevado del piso.

Cuadro de ajuste de la altura de la lavavajillas

Altura de la abertura del gabinete	Altura de las patas delanteras	Posición de las ruedas	Manta aislante
33 ¹ / ₂ " (851 mm)	³ / ₈ " (9,8 mm)	Sin ruedas	Con recorte
34" (864 mm)	⁹ / ₁₆ " (14 mm)	1	Sin recorte
34 ¹ / ₄ " (871 mm)	¹³ / ₁₆ " (21 mm)	2	Sin recorte
34 ¹ / ₂ " (876 mm)	¹¹ / ₁₆ " (27 mm)	3	Sin recorte

Patas delanteras - A

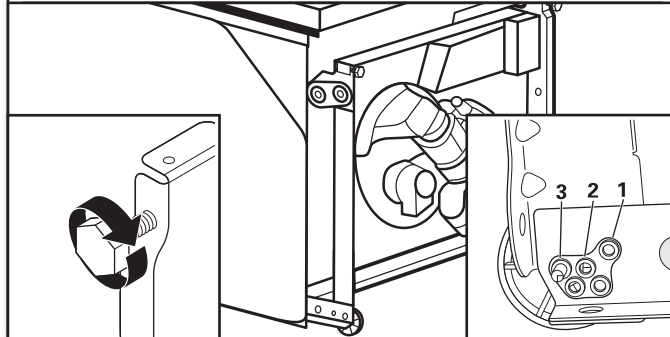


Ajuste las dos patas niveladoras delanteras a la misma altura. Ponga las ruedas traseras en la posición correcta según el "Cuadro de ajuste de la altura de la lavavajillas".

NOTA: Si la altura mínima de la abertura del gabinete es inferior a 34" (864 mm), se pueden retirar las ruedas traseras para obtener un hueco adicional.

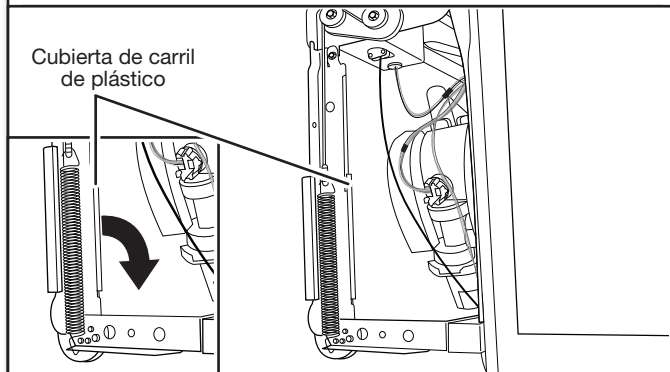
Esto permitirá que la lavavajillas encaje en una abertura de gabinete con una altura de 33¹/₂" (851 mm), pero será más difícil mover la lavavajillas. Las medidas son aproximadas.

12. Ajuste las ruedas y las patas



Consulte el "Cuadro de ajuste de altura de la lavavajillas" para la posición de las ruedas y para la altura de las patas delanteras requeridas para la altura de la abertura del gabinete.

13. Retire la cubierta de carril de plástico (solo en ciertos modelos)

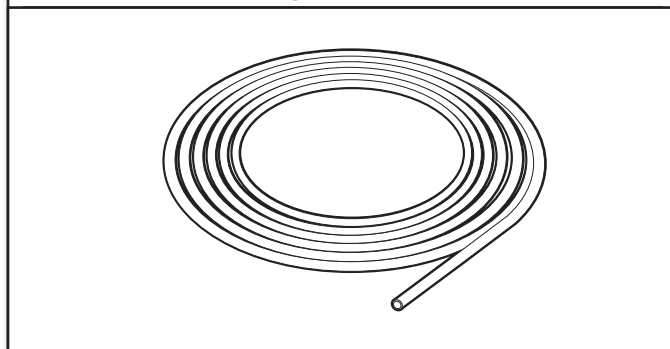


Retire y deseche la cubierta de carril plástica a cada lado del marco de la lavavajillas. Para retirar la cubierta de carril plástica, empuje hacia arriba y hacia atrás para desengancharla del marco de la lavavajillas.

CONEXIÓN DE LA TUBERÍA DE AGUA A VÁLVULA DE LLENADO

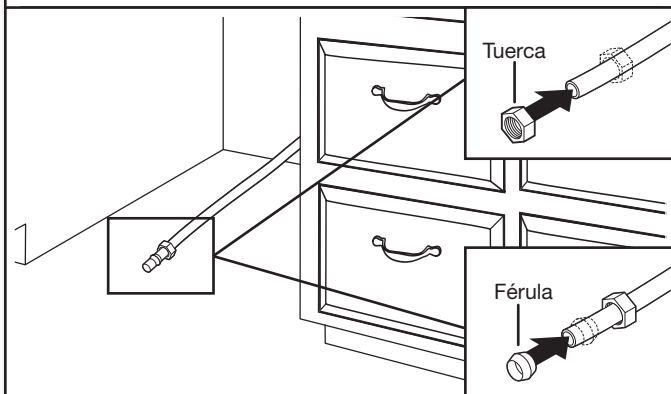
- Para una tubería de cobre, continúe con el paso 14
- Para una tubería flexible, continúe con el paso 16

14. Tubería de agua de cobre



Si se utiliza una tubería de cobre, determine la longitud total de la tubería de cobre necesaria para llegar al suministro de agua, corte a la longitud necesaria y conecte con racores de compresión.

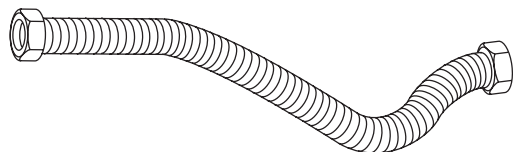
15. Deslice la tuerca y la férula sobre la tubería (solo para tubería de cobre)



Solo tubería de cobre: Coloque la tubería en el codo de 90° hasta donde sea posible. (La tubería de cobre se dobla y se retuerce con facilidad.) Deslice la tuerca y la férula hacia delante y comience a enroscar la tuerca en las roscas del codo.

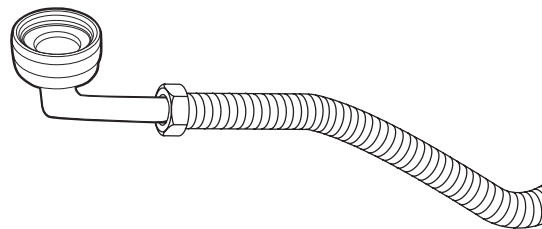
NOTA: Para evitar vibraciones durante el funcionamiento, disponga la tubería de suministro de agua de modo que no toque la base, el marco o el motor de la lavavajillas. Vaya al paso 17.

16. Tubería flexible



Tubería trenzada flexible: Compruebe que la tubería trenzada flexible posea la longitud suficiente. Consulte la sección "Herramientas y piezas" al principio de la guía para los detalles y pedidos de pieza.

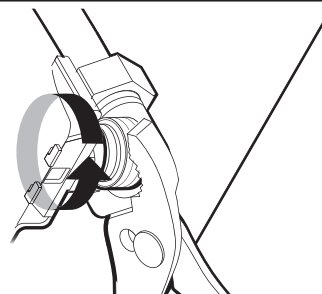
17. Añada un codo 90° a la tubería de suministro de agua



Utilice un racor de manguera con conexión de compresión de $\frac{3}{8}$ " (9,5 mm) x $\frac{3}{4}$ " (19 mm) con un codo de 90°. Consulte la sección "Herramientas y piezas" al principio de la guía para los detalles y pedidos de pieza. Conecte el racor de compresión de $\frac{3}{8}$ " (9,5 mm) del racor acodado de 90° a la tubería de suministro de agua. Fíjelo orientando hacia arriba la conexión de $\frac{3}{4}$ " (19 mm) como se indica más arriba.

CONEXIÓN DE LA MANGUERA DE LLENADO A LA VÁLVULA DE LLENADO

18. Apriete el codo de 90° a la válvula



Compruebe que la arandela de goma esté encajada debidamente en el conector. Deslice el racor de $\frac{3}{4}$ " (19 mm) del codo de 90° hacia la válvula, y apriete a mano para no dañar la rosca. Apriete a mano hasta que el acoplamiento quede ajustado. Utilice alicates para comprobar que el acoplamiento está apretado. Puede que sea necesario entre $\frac{1}{4}$ y $\frac{1}{2}$ giro adicional para sellar la junta de goma. Pase la manguera de llenado por el lado izquierdo trasero de la unidad.

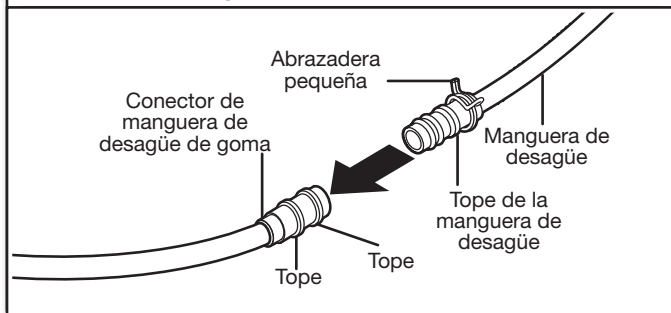
NOTAS:

- No use cinta Teflon^{®†} con los conectores a compresión.
- No apriete en exceso. Puede dañar el acoplamiento.

†TEFLON es una marca registrada de Chemours..

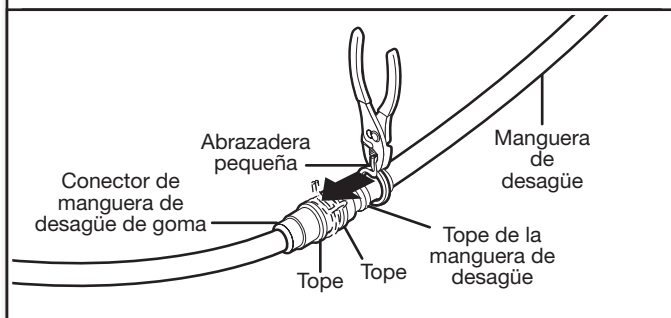
CONEXIÓN DE LA MANGUERA DE DESAGÜE

19. Conexión de la manguera de desagüe



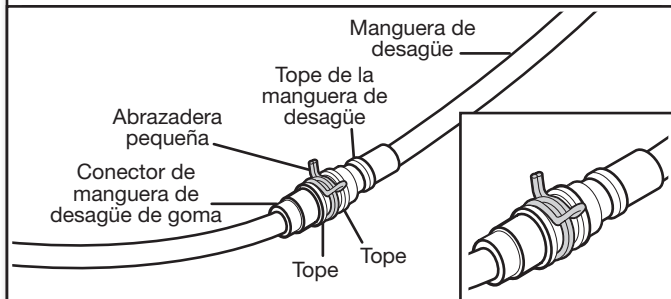
Coloque una toalla bajo la manguera de desagüe para absorber el agua que pueda haber en su interior. Coloque la abrazadera pequeña (verde) para manguera de desagüe en el extremo pequeño de la manguera de desagüe. Empuje la manguera de desagüe nueva hacia el interior del conector de goma de manguera de desagüe hasta el tope de la manguera de desagüe.

20. Deslice la abrazadera sobre el conector



Utilice alicates para abrir mediante presión la abrazadera pequeña de la manguera de desagüe y deslice al conector entre los topes.

21. Posición final de la abrazadera de la manguera

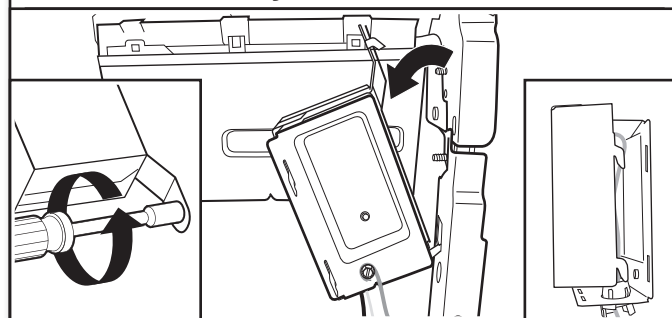


NOTA: Pase la manguera de desagüe por la parte trasera de la lavavajillas.

CONEXIÓN DEL CABLE DE ALIMENTACIÓN

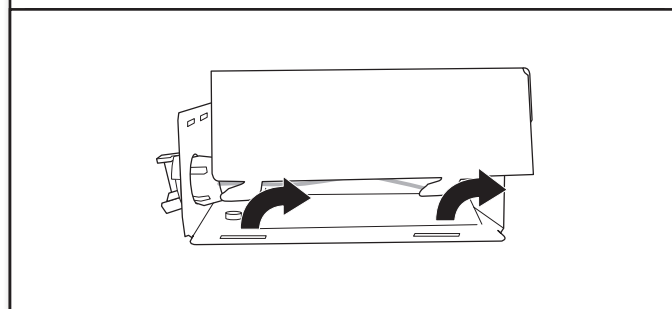
NOTA: Si se retira una lavavajillas anterior con cable de alimentación, debe conectar dicho cable a la lavavajillas nueva.

22. Retire la caja de terminales



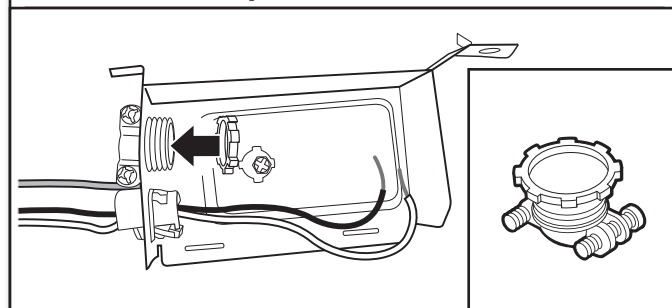
Utilice una llave de tuercas de 1/4" o una llave de tubo de 1/4" para retirar el tornillo que fija la caja de terminales al travesaño. A continuación, incline la caja de terminales, suelte la lengüeta y eleve la caja de terminales separándola del travesaño.

23. Retire la cubierta



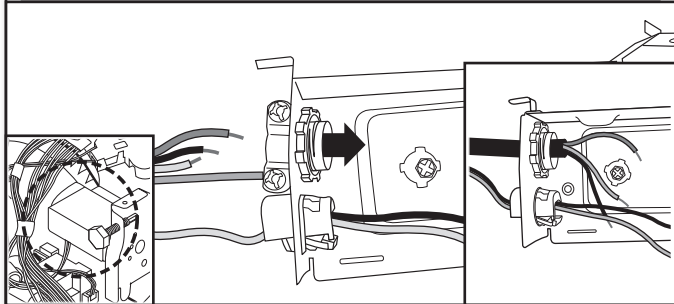
Retire la cubierta deslizándola hacia arriba y sacando sus enganches del orificio. Guarde la cubierta para su uso en posterior.

24. Instale el protector de cables



Instale un protector de cables con certificación UL/ homologación CSA. Compruebe que las cabezas de los tornillos están orientadas hacia arriba al apretar la tuerca de la tubería. Se proporciona un protector de cables con el kit de cable de suministro eléctrico. Consulte la sección "Herramientas y piezas" al principio de la guía para los detalles y pedidos de pieza.

25. Cable de alimentación: dirija el cable a la caja de terminales



Disponga el cable de forma que no toque el motor o la parte inferior de la tina de la lavavajillas. Tire del cable a través del protector de cables en la caja de terminales.

NOTA: Se permite un máximo de 2 conductores de cable de alimentación eléctrica (tamaño máximo 12 AWG) y 1 conductor de conexión a tierra en la caja de terminales.

⚠ ADVERTENCIA



Peligro de Choque Eléctrico

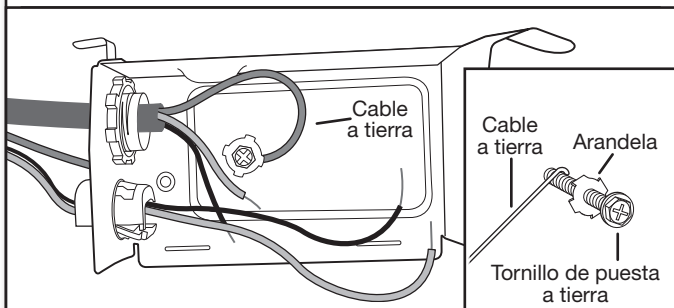
Conecte a tierra la lavavajillas.

Conecte el alambre de conexión a tierra al conector verde de conexión a tierra en la caja de terminales.

No use un cable eléctrico de extensión.

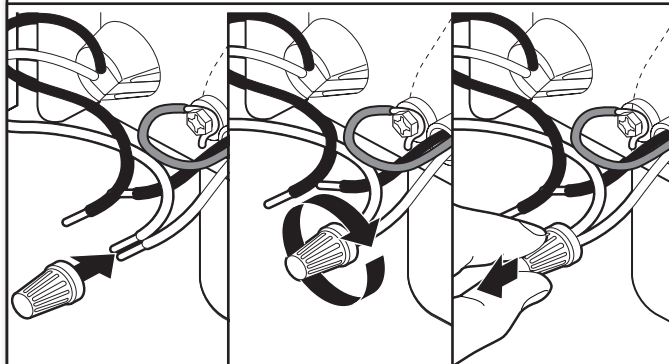
No seguir estas instrucciones puede ocasionar la muerte, incendio o choque eléctrico.

26. Cable de alimentación: conecte el cable a tierra



Retire el tornillo del conector a tierra en la superficie elevada dentro de la caja y pásela por la anilla de terminal del cable a tierra verde del cable de alimentación. Reinstale y apriete el tornillo del conector a tierra a la superficie elevada de la caja.

27. Cable de alimentación: conecte los cables restantes



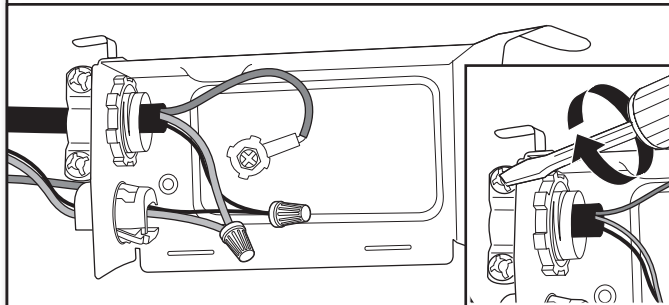
Seleccione conectores de torsión con certificación UL/ homologación CSA del tamaño adecuado. Consulte la sección "Herramientas y piezas" al principio de la guía para los detalles de pieza. Conecte los cables, negro a negro y blanco a blanco, mediante los conectores de torsión.

NOTA: No enrosque el cable trenzado previamente. Gire el conector de torsión. Tire con suavidad de los cables para comprobar que estén firmes.

Configuración del cableado

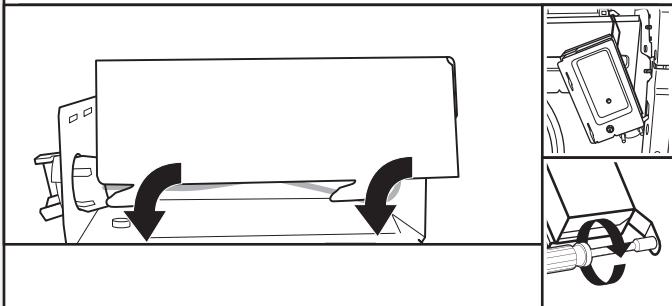
Cable de suministro eléctrico:		Cable de la caja de terminales:
blanco	←→	blanco
negro	←→	negro
hilo de puesta a tierra	←→	conector de puesta a tierra

28. Cable de alimentación: fije el cable al protector de cables



Apriete los tornillos del protector de cables para asegurar el cable.

29. Cable de alimentación: vuelva a instalar la cubierta y los cables de la caja de terminales



Coloque los cables dentro de la caja de terminales. Sustituya la cubierta insertando los enganches de la cubierta de la caja de terminales en los orificios de la parte inferior de la caja de terminales, y deslice la cubierta apretándola contra la pared inferior donde se introducen los cables. Compruebe que los cables estén dentro de la caja y no aprisionados contra la cubierta.

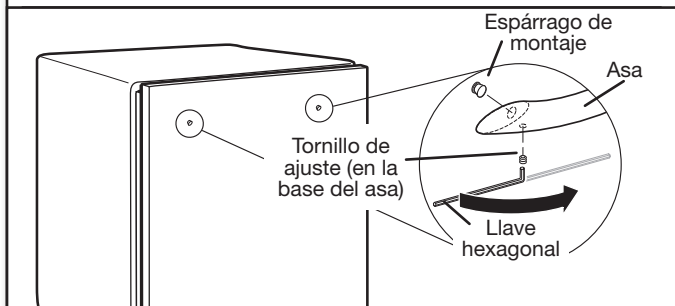
Vuelva a poner la caja de terminales en el travesaño colocando la lengüeta en su posición. Utilice una llave de tuercas de 1/4" y el tornillo retirado en el paso 22 para fijar la caja de terminales al travesaño.

Después de reinstalar la caja de terminales en la lavavajillas, coloque el sobrante o la parte floja de los cables sobre componentes cercanos o sujételos en las abrazaderas cercanas para mantenerlos alejados del piso.

NOTA: Pase el cable de alimentación por la parte trasera de la lavavajillas. No enchufe el cable a una toma hasta que se le indique.

INSTALACIÓN DEL ASA DE LA PUERTA (PARA ALGUNOS MODELOS)

30. Instalación del asa de la puerta



IMPORTANTE: No raye el panel delantero durante este procedimiento. Si el panel de puerta tiene una película de protección, despéguela más allá del punto de los espárragos del asa antes de instalar el asa. La instalación del asa es más sencilla cuando la unidad está tumbada.

Retire el asa de la puerta y la llave hexagonal del embalaje. Los tornillos de ajuste ya están instalados en el asa. Coloque el asa sobre los espárragos de montaje con los tornillos de ajuste orientados hacia abajo. Empuje con firmeza el asa de la puerta contra la puerta. Inserte el extremo corto de la llave hexagonal en los tornillos de ajuste. Apriete los tornillos de ajuste 1/4 de giro adicional tras apretarlos.

Conserve la llave hexagonal con las instrucciones de instalación.

COLOQUE LA LAVAVAJILLAS EN EL GABINETE

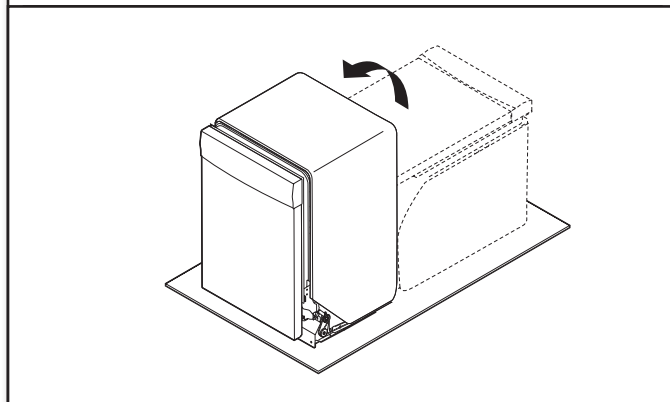
⚠ ADVERTENCIA

Peligro de Peso Excesivo

Use dos o más personas para mover e instalar la lavavajillas.

No seguir esta instrucción puede ocasionar una lesión en la espalda u otro tipo de lesiones.

31. Ponga la lavavajillas de pie



Con la ayuda de 2 o más personas, ponga la lavavajillas en posición vertical.

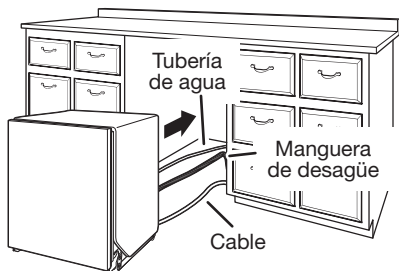
NOTA: No instale la placa de protección hasta que se le indique.

IMPORTANTE: Si se han retirado las ruedas, proteja el piso al desplazar la lavavajillas. Introduzca lentamente la lavavajillas por completo en la abertura del gabinete. No retuerza ni apriete la tubería de agua, la manguera de desagüe, el cable de alimentación o el cable directo entre la lavavajillas y el gabinete. Quite el cartón que está debajo de la lavavajillas.

Es correcto que la lavavajillas encaje de forma ajustada en la abertura del gabinete. No quite la manta aislante, ya que reduce el nivel de sonido.

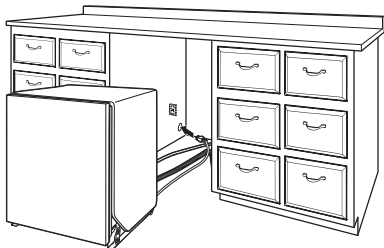
NOTA: Pase el suministro de agua, la manguera de desagüe y el cable de alimentación por la parte trasera de la lavavajillas.

32. Mueva la lavavajillas cerca de la abertura del gabinete



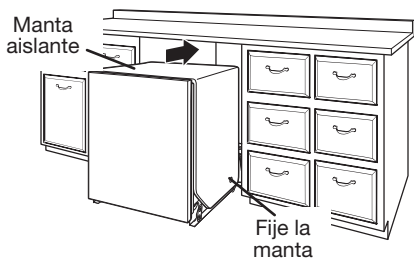
Pase los elementos a través de los orificios en el gabinete y tire para tensarlos mientras se introduce la lavavajillas en el gabinete.

33. Pase el cable de alimentación



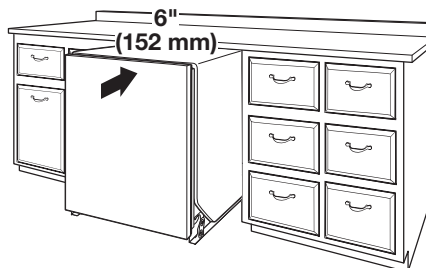
Si se utiliza un cable de alimentación, asegúrese de pasar el extremo por el orificio en la parte recortada antes de deslizar la lavavajillas en la abertura del gabinete.

34. Fije la manta aislante



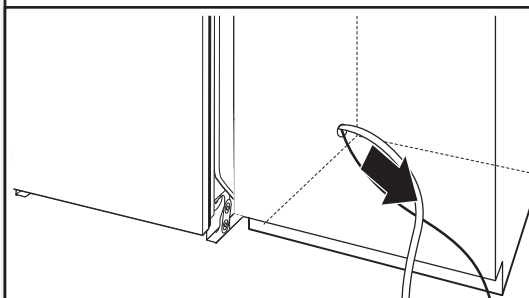
NOTA: Compruebe que la manta aislante esté fijada a las esquinas izquierda y derecha trasera antes de empujar a la abertura del gabinete para evitar que la manta se pliegue en un gabinete estrecho.

35. Introduzca la lavavajillas en la abertura del gabinete dejando que sobresalga 6" (152 mm)



NOTA: Deje que la unidad sobresalga unas 6" (152 mm) del gabinete para instalar los soportes de anclaje y ajustar la tensión de la puerta si es necesario.

36. Tire del cableado flojo de la lavavajillas



NOTA: Tire de los elementos de suministro para tensarlos mientras se introduce la lavavajillas en la abertura del gabinete para evitar dobleces.

INSTALACIÓN DEL PANEL A LA MEDIDA (SOLO PARA MODELOS CON PANEL A LA MEDIDA)

Para la instalación del panel a la medida, consulte la Hoja de instalación del panel a la medida (número de referencia de pieza W10750117A). Complete la instalación del panel a la medida antes de pasar a la sección "Selección del método de sujeción de anclaje".

SELECCIÓN DEL MÉTODO DE SUJECIÓN DE ANCLAJE

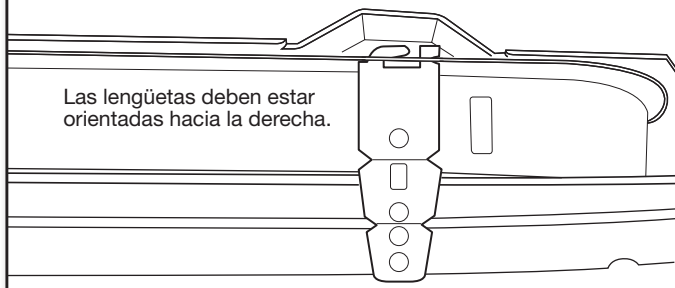
IMPORTANTE: La fijación de la lavavajillas al gabinete debe ser uno de los últimos pasos. Prepare la lavavajillas para este proceso fijando a la lavavajillas los 2 soportes que se encuentran en la bolsa de piezas.

- Para barras de cocina de madera, laminados o superficie similar, realice la Sujeción a la barra de cocina del paso 37.
- Para barras de cocina de mármol, granito u otra superficie sólida, realice la Sujeción lateral del paso 38.

NOTA: Si el huelgo entre la parte superior de la puerta y la parte inferior de la barra de cocina es estrecho (inferior a 1/4" [6,35 mm]), se recomienda realizar la Sujeción lateral para no arañar la interfaz del usuario o consola con los tornillos de anclaje.

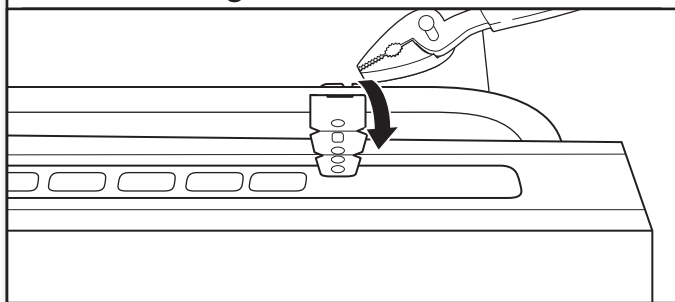
Sujeción a la barra de cocina:

37. Inserte el soporte



Retire los soportes del paquete e insértelos en las ranuras abiertas de la parte superior izquierda y derecha del collar de la lavavajillas como se indica. Vaya al paso 41.

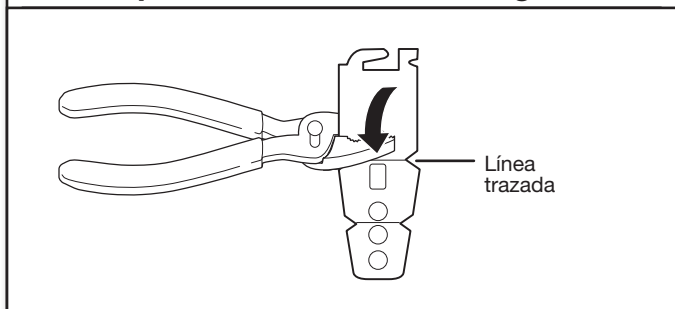
Doble la lengüeta



Utilice alicates para doblar/torcer la lengüeta y bloquear los soportes en su posición.

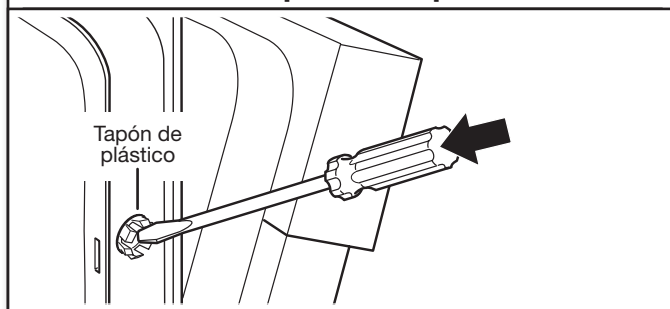
Sujeción lateral:

38. Separe el extremo de la lengüeta



Utilice alicates para separar el extremo del soporte a lo largo de la línea marcada.

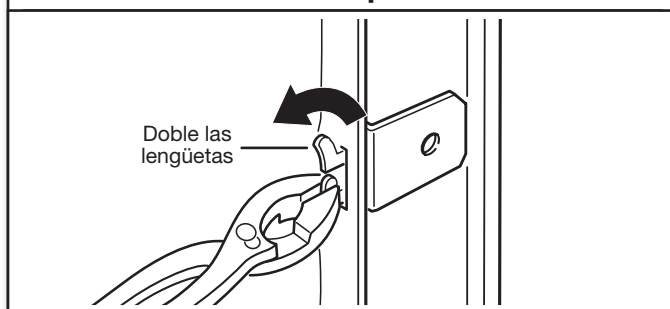
39. Retire los tapones de plástico



Empuje los tapones de plástico fuera del lado de la tina.

NOTA: Guarde los tapones para cubrir los orificios después de instalar la lavavajillas.

40. Instalación del soporte



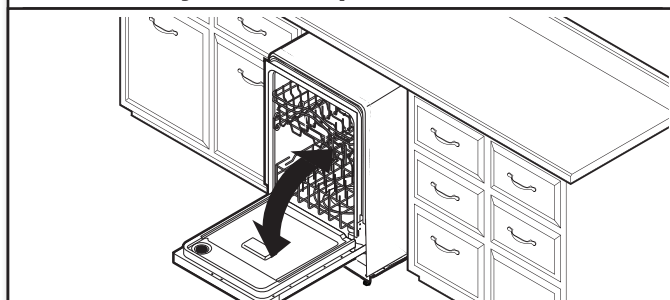
Empuje el soporte en la ranura del lado de la lavavajillas y doble la lengüeta hacia dentro y hacia el lado de la lavavajillas para mantener el soporte en su lugar. Repita este paso para el otro lado de la lavavajillas.

NOTA: Instale suplementos de madera en el interior del gabinete si el huelgo entre los lados del gabinete y de la lavavajillas es superior a 1/2" (13 mm) en cada lado.

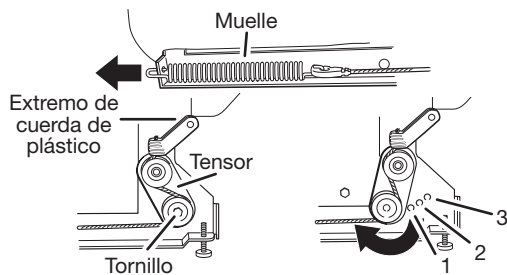
NOTA: No fije la lavavajillas. Esto se hará más tarde.

VERIFICACIÓN FINAL DE LA INSTALACIÓN

41. Abra y cierre la puerta



42. Ajuste de la tensión de muelle de puerta



Si la puerta se abre con demasiada rapidez o cae, ajuste la tensión del muelle de apertura.

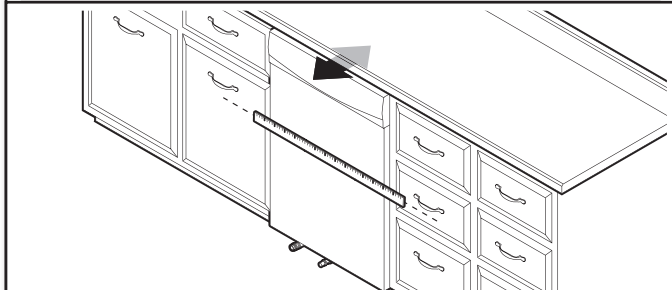
Para ajustar la tensión del muelle de la puerta, retire el extremo de cuerda plástica blanca fijada a la bisagra de la puerta. Retire el tornillo del tensor con una llave de tuercas o una llave de tubo de $\frac{5}{16}$ ". El tornillo se puede colocar en uno de los tres orificios (1,2,3) en la pata delantera de la lavavajillas.

Si la puerta se cierra sola: Ponga el tensor en un orificio con un número menor y sustituya el tornillo. Vuelva a fijar el extremo de cuerda plástica blanca a la bisagra de puerta.

Si la puerta se abre sola: Ponga el tensor en un orificio con un número mayor y sustituya el tornillo. Vuelva a fijar el extremo de cuerda plástica blanca a la bisagra de puerta.

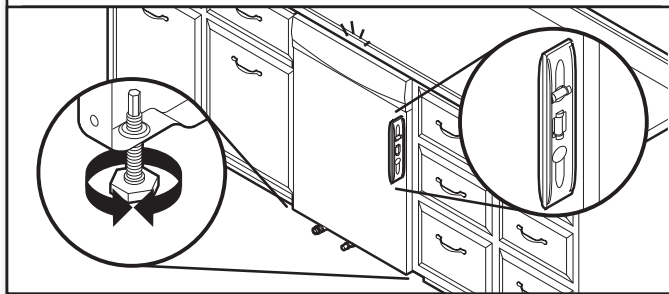
NOTA: Los tensores que se encuentran a ambos lados de la lavavajillas se deben fijar a los mismos orificios.

43. Alinee la parte frontal de la lavavajillas con la parte frontal de las puertas del gabinete



Alinee la parte frontal del panel de la puerta de la lavavajillas con la parte frontal de las puertas del gabinete. Tal vez necesite ajustar el alineamiento para que quede pareja con los armarios.

44. Compruebe la verticalidad y ajuste las patas si es necesario

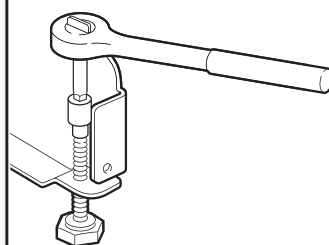


Revise que las patas niveladoras estén firmes contra el piso. Cierre y trabe la puerta y coloque el nivel contra el panel frontal. Verifique que la lavavajillas esté centrada de frente hacia atrás en la abertura. Si es necesario, ajuste la pata niveladora hasta que la lavavajillas esté en posición vertical. Repita el procedimiento para el otro lado de la lavavajillas.

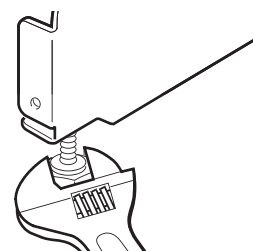
Consejo útil: Levante la parte frontal de la lavavajillas para separarla del piso y ajustar las patas frontales. En algunas instalaciones, puede ser más sencillo ajustar la pata delantera con una llave de tubo de $\frac{3}{16}$ " o con una llave ajustable. Si el huelgo entre la parte superior de la puerta y la parte inferior de la barra de cocina es estrecho (inferior a $\frac{1}{4}$ " [6,35 mm]), se recomienda realizar la sujeción lateral para no arañar la interfaz del usuario o consola.

Patas niveladoras

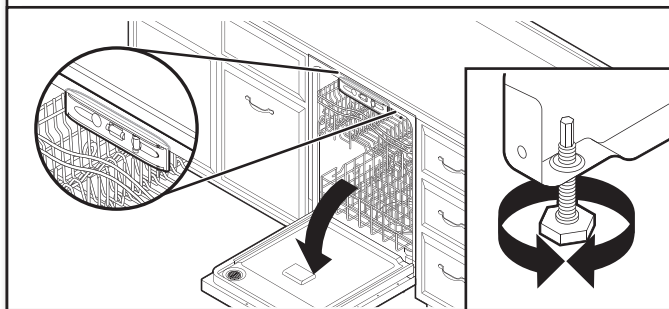
Método preferido



Método optativo



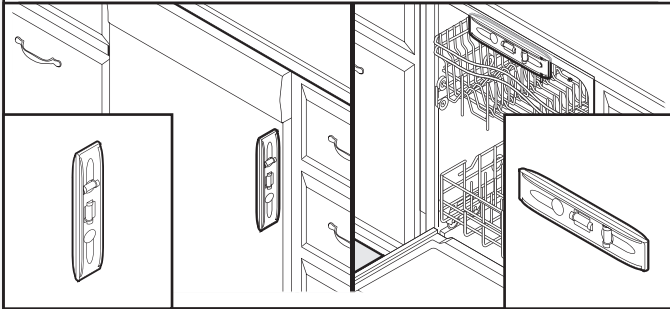
45. Compruebe la nivelación de lado a lado y ajuste las patas si es necesario



Coloque el nivel contra la abertura superior frontal de la tina. Compruebe que la lavavajillas esté nivelada a cada lado. Si la lavavajillas no está nivelada, ajuste las patas delanteras hacia arriba o hacia abajo hasta que la lavavajillas esté nivelada.

FIJACIÓN DE LA LAVAVAJILLAS A LA ABERTURA DEL GABINETE

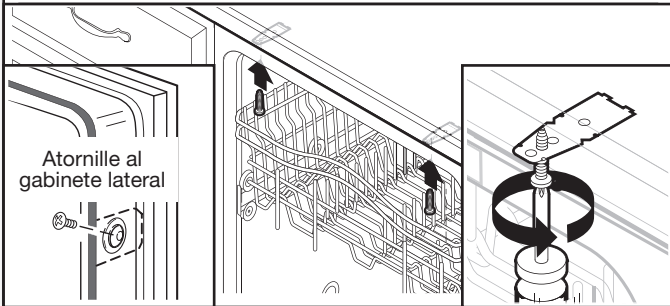
46. Compruebe otra vez el alineamiento de la lavavajillas con la abertura del gabinete



Compruebe que la lavavajillas sigue nivelada de frente hacia atrás y de lado a lado en la abertura del gabinete.

Abra la puerta de la lavavajillas y coloque una toalla sobre el conjunto de la bomba y el brazo pulverizador de la puerta de la lavavajillas. Esto evitará que los tornillos caigan en la zona de la bomba al fijar la lavavajillas al gabinete.

47. Fije la lavavajillas

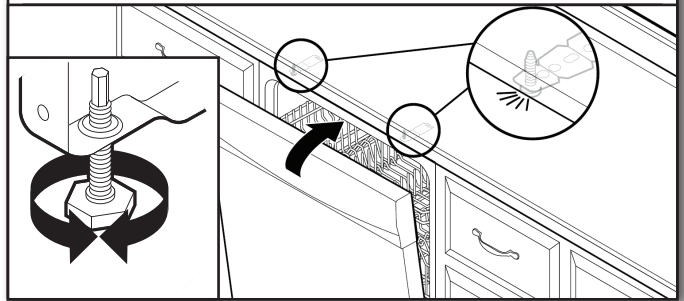


Abra la puerta de la lavavajillas como preparativo para fijar la lavavajillas a la barra de cocina o al lado del gabinete.

NOTAS:

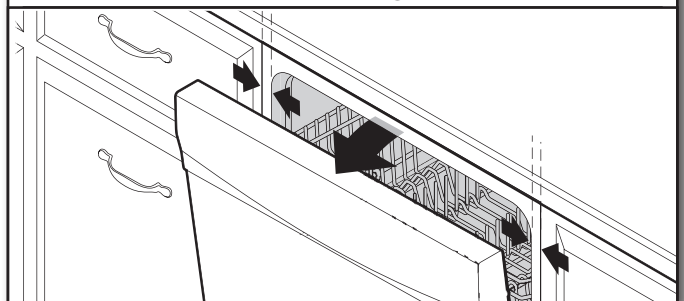
- La lavavajillas se debe fijar para que no se mueva al abrir o cerrar la puerta.
- No deje que los tornillos caigan al fondo de la lavavajillas.
- Localice los soportes instalados en la sección "Selección de método de fijación de anclaje", bien en la parte superior o los lados de la lavavajillas.
- **Para el anclaje a la barra de cocina:** fije la lavavajillas a la barra de cocina con dos tornillos Phillips n.º 10 x 1/2" (proporcionados).
- **Para el anclaje lateral:** taladre orificios de guía en el gabinete para no agrietar la madera. Fije la lavavajillas al gabinete con dos tornillos Phillips n.º 10 x 1/2" (proporcionados). Retire el estante superior para facilitar el acceso. Consulte las instrucciones en la Guía de uso y cuidados para retirar el estante superior si es necesario.

48. Compruebe el huelgo de la puerta



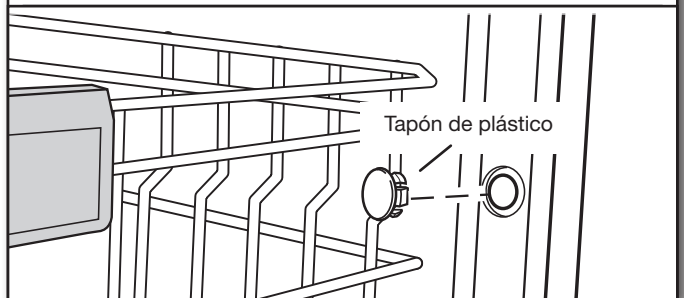
IMPORTANTE: Compruebe que la parte superior de la puerta no haga contacto con los tornillos, los soportes o la barra de cocina. En caso contrario, ajuste las patas de nivelado o utilice la opción de fijación lateral.

49. Compruebe el huelgo interior



Abra la puerta y compruebe que el espacio entre la abertura del gabinete de la lavavajillas y la tina sea igual en ambos lados. Si los espacios no son iguales, afloje los tornillos del soporte y mueva la tina. Apriete los tornillos del soporte.

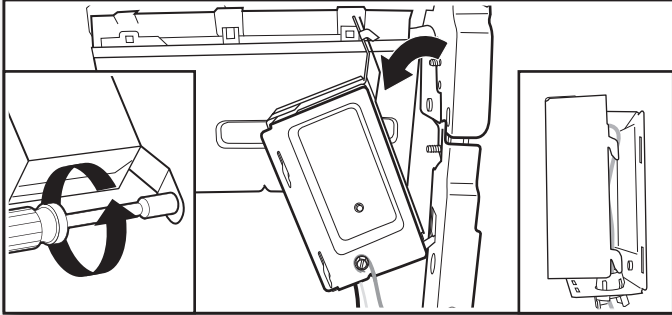
50. Vuelva a instalar los tapones de plástico



Si se ha utilizado el método de fijación lateral, vuelva a instalar los tapones de plástico gris retirados en el paso 39 para ocultar los orificios de tornillo.

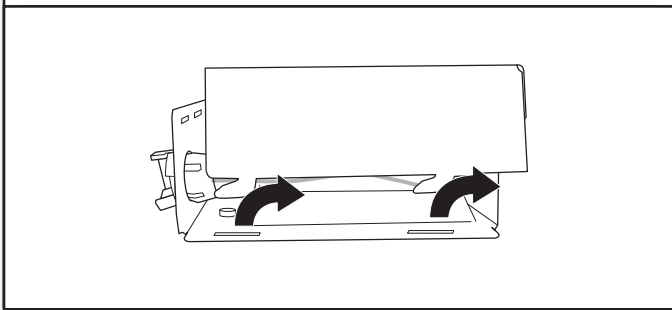
CONEXIÓN POR CABLE DIRECTO

51. Retire la caja de terminales



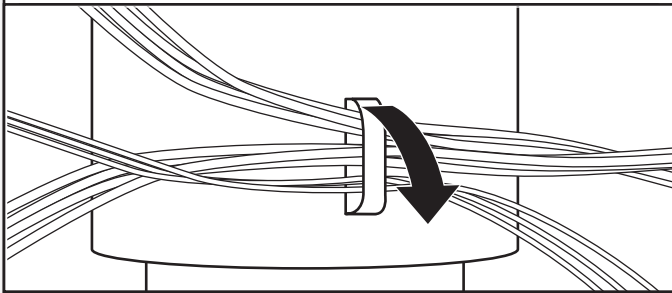
Utilice una llave de tuercas de 1/4" o una llave de tubo de 1/4" para retirar el tornillo que fija la caja de terminales al travesaño. A continuación, incline la caja de terminales, suelte la lengüeta y eleve la caja de terminales separándola del travesaño.

52. Retire la cubierta



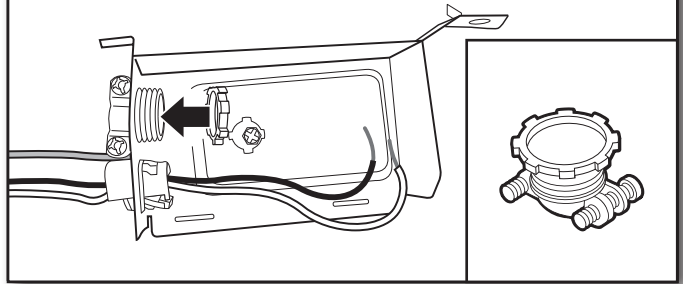
Retire la cubierta deslizándola hacia arriba y sacando sus enganches de los orificios. Guarde la cubierta para su uso en posterior.

53. Suelte los cables verde, blanco, y negro



Los cables deben poseer la longitud adecuada para poder extraer la caja de terminales de la parte inferior de la lavavajillas. Separe los cables de las abrazaderas cercanas o componentes para extender el cableado por completo y facilitar el acceso.

54. Instale el protector de cables



Instale un protector de cables con certificación UL/ homologación CSA. Consulte la sección "Herramientas y piezas" al principio de la guía para los detalles y pedidos de pieza.

⚠ ADVERTENCIA



Peligro de Choque Eléctrico

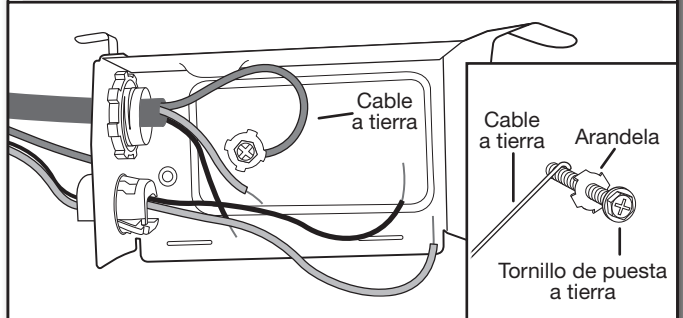
Conecte a tierra la lavavajillas.

Conecte el alambre de conexión a tierra al conector verde de conexión a tierra en la caja de terminales.

No use un cable eléctrico de extensión.

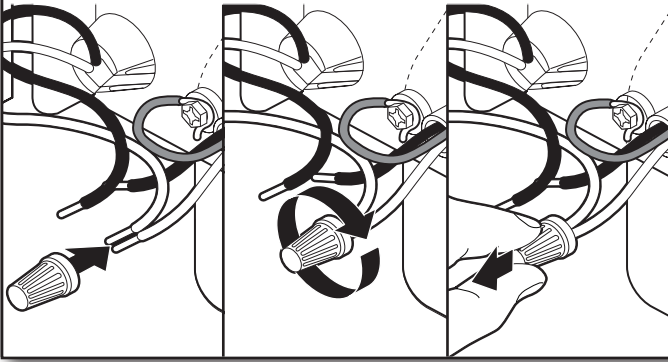
No seguir estas instrucciones puede ocasionar la muerte, incendio o choque eléctrico.

55. Cable directo: conecte el cable a tierra



Haga un gancho en forma de "U" con el cable a tierra pelado. Enrolle el gancho de cable a tierra hacia la derecha en el tornillo de conexión a tierra de la superficie elevada dentro de la caja y bajo la lavavajillas. Apriete el conector a tierra con firmeza.

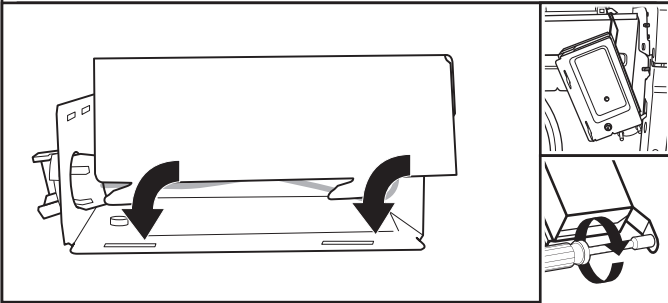
56. Cable directo: conecte los cables restantes



Seleccione conectores de torsión con certificación UL/homologación CSA del tamaño adecuado. Consulte la sección "Herramientas y piezas" al principio de la guía para los detalles de pieza. Conecte los cables, negro a negro y blanco a blanco, mediante los conectores de torsión.

NOTA: No enrosque el cable trenzado previamente. Gire el conector de torsión. Tire con suavidad de los cables para comprobar que están firmes.

57. Cable directo: vuelva a instalar la cubierta y los cables de la caja de terminales



Coloque los cables dentro de la caja de terminales. Sustituya la cubierta insertando los enganches de la cubierta de la caja de terminales en los orificios de la parte inferior de la caja de terminales, y deslice la cubierta apretándola contra la pared inferior donde se introducen los cables. Compruebe que los cables están dentro de la caja y no aprisionados contra la cubierta.

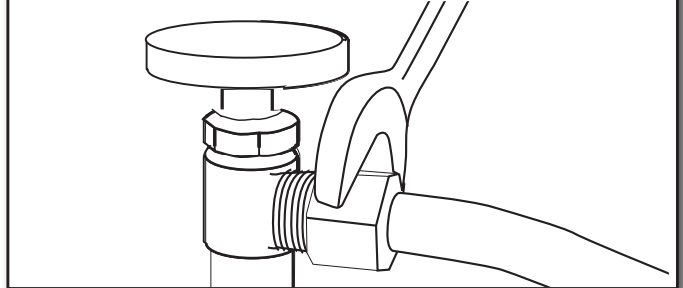
Vuelva a poner la caja de terminales en el travesaño colocando la lengüeta en su posición. Utilice una llave de tuercas de 1/4" y el tornillo retirado en el paso 51 para fijar la caja de terminales al travesaño.

Después de reinstalar la caja de terminales en la lavavajillas, coloque el sobrante o la parte floja de los cables sobre componentes cercanos o sujételos en las abrazaderas cercanas para mantenerlos alejados del piso.

CONEXIÓN DE LA TUBERÍA DE AGUA A LA VÁLVULA DE CIERRE DE LA CASA

NOTA: Si se utiliza una manguera trenzada flexible, sustituya la manguera de entrada después de 5 años para reducir el riesgo de fallas. Apunte las fechas de instalación o sustitución en la manguera para su consulta en el futuro.

58. Fije la tubería de suministro de agua



Fije la tubería de suministro de agua (tubería de cobre o tubería trenzada flexible de suministro de agua) a la tubería de suministro de agua caliente mediante una conexión que cumpla con los códigos y ordenanzas locales. El suministro de agua a la lavavajillas deberá tener una válvula de cierre manual ubicada debajo del lavadero.

CONEXIÓN DE LA MANGUERA DE DESAGÜE

59. Conexión de la manguera de desagüe

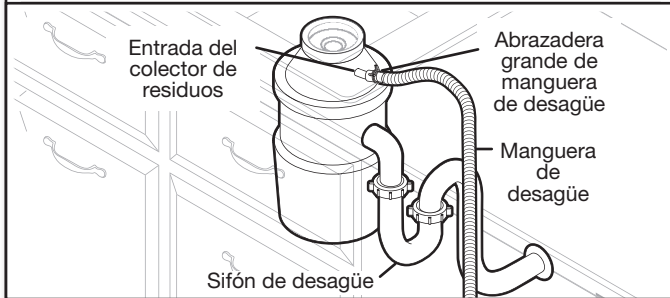
Conecte la manguera de desagüe al tubo de residuos en "T" o al colector de residuos mediante una de las siguientes opciones:

- Opción A: colector de residuos, sin purga de aire
- Opción B: sin colector de residuos, sin purga de aire
- Opción C: colector de residuos, con purga de aire
- Opción D: sin colector de residuos, con purga de aire

IMPORTANTE: La conexión de la manguera de desagüe del colector de residuos o del tubo de residuos en "T" se debe realizar antes de la purga de aire y como mínimo a 20" (508 mm) sobre el piso donde se instalará la lavavajillas.

Consejo útil: Para reducir la vibración de la manguera, manténgala lejos del piso.

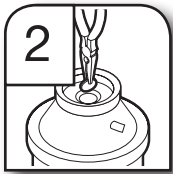
Opción A: colector de residuos, sin purga de aire



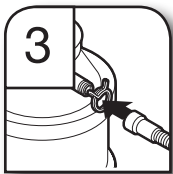
Consejo útil: Retire el tapón de knockout del colector de residuos.



1. Golpee el tapón del colector de residuos con un martillo y un destornillador.

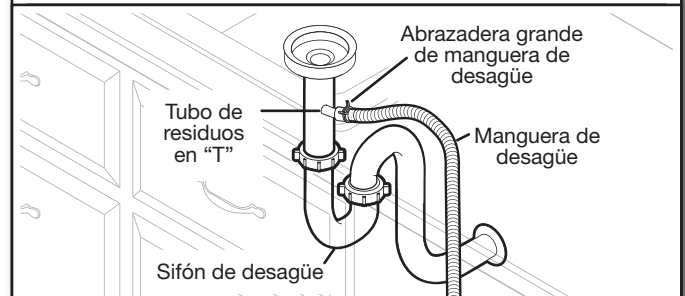


2. Utilice alicates de punta fina para quitar el tapón.



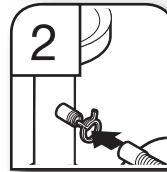
3. Fije la manguera de desagüe a la entrada del colector de residuos con una abrazadera grande de manguera de desagüe (proporcionada). Utilice alicates para abrir la abrazadera y moverla hacia su posición.

Opción B: sin colector de residuos, sin purga de aire



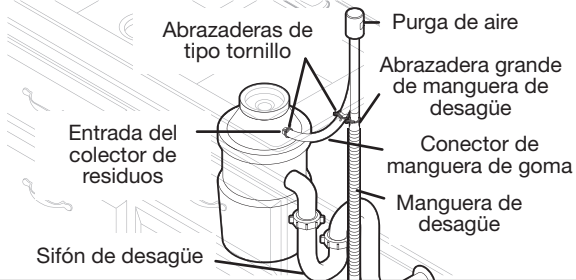
1. Conecte el extremo de goma de la manguera de desagüe al tubo de residuos en "T" y córtela si es necesario.

NOTA: No corte la sección en relieve.



2. Sujete el extremo de goma de la manguera de desagüe al tubo de residuos en "T" con una abrazadera grande de manguera de desagüe (proporcionada). Utilice alicates para abrir la abrazadera y moverla hacia su posición. Si se recortó la manguera de desagüe, utilice una abrazadera de tipo tornillo de 1 1/2" a 2" (38 a 50 mm (no proporcionada).

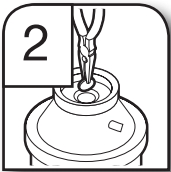
Opción C: colector de residuos, con purga de aire



Consejo útil: Retire el tapón de knockout del colector de residuos.



1. Golpee el tapón del colector de residuos con un martillo y un destornillador.



2. Utilice alicates de punta fina para quitar el tapón.



3. Conecte el extremo de goma de la manguera de desagüe a la purga de aire y recorte si es necesario.

NOTA: No corte la sección en relieve.

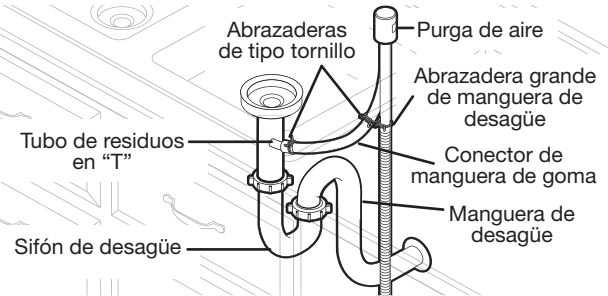


4. Sujete la manguera de desagüe a la purga de aire con la abrazadera grande de manguera de desagüe (proporcionada). Utilice alicates para abrir la abrazadera y moverla hacia su posición. Si se recortó la manguera de desagüe, utilice una abrazadera de tipo tornillo de 1½" a 2" (38 a 50 mm) (no proporcionada).



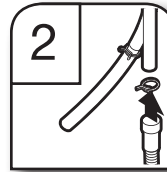
5. Use una manguera de goma (no provista) con las abrazaderas tipo tornillo (no provistas) para conectarlas desde la purga de aire hasta la entrada del recipiente de desechos.

Opción D: sin colector de residuos, con purga de aire

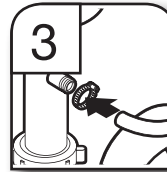


1. Conecte el extremo de goma de la manguera de desagüe a la purga de aire y recorte si es necesario.

NOTA: no corte la sección en relieve.



2. Sujete la manguera de desagüe a la purga de aire con la abrazadera grande de manguera de desagüe (proporcionada). Utilice alicates para abrir la abrazadera y moverla hacia su posición. Si se recortó la manguera de desagüe, utilice una abrazadera de tipo tornillo de 1½" a 2" (38 a 50 mm) (no proporcionada).



3. Utilice una manguera de goma (no proporcionada) con las abrazaderas de tipo tornillo (no proporcionadas) para conectarlas desde el tubo de residuos en "T" hasta la purga de aire.

FINALIZACIÓN DE LA INSTALACIÓN

Compruebe que el cable de suministro eléctrico no entra en contacto con el motor o con la parte inferior de la tina de la lavavajillas.

⚠ ADVERTENCIA



Peligro de Choque Eléctrico

Conecte a un contacto de pared de conexión a tierra de 3 terminales.

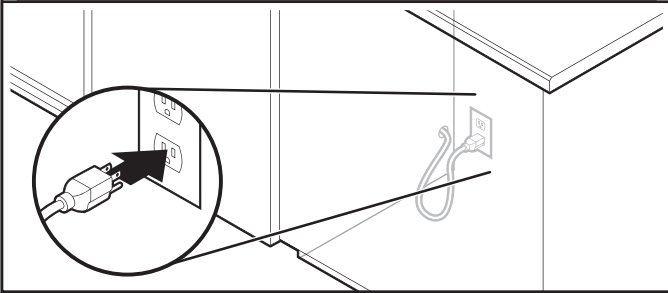
No quite la terminal de conexión a tierra.

No use un adaptador.

No use un cable eléctrico de extensión.

No seguir estas instrucciones puede ocasionar la muerte, incendio o choque eléctrico.

60. Cable de suministro eléctrico: enchufe a una toma de 3 terminales con conexión a tierra



Conecte a una toma de 3 terminales con conexión a tierra.

61. Reconecte el suministro de energía

Reconecte el suministro de energía en la caja de fusibles o la caja de cortacircuitos.

NOTA: Con el panel de acceso retirado, ponga la lavavajillas en marcha y deje que complete el ciclo de lavado más corto. Después de los 2 primeros minutos, desbloquee la puerta, espere 5 segundos y luego ábrala. Compruebe si hay agua en la parte inferior de la tina de la lavavajillas. Compruebe que la lavavajillas funciona de forma adecuada.

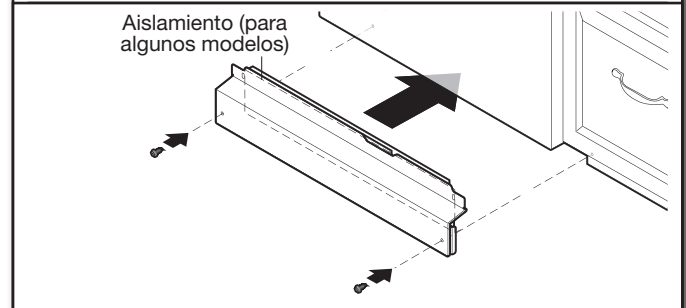
INSTALACIÓN DEL PANEL DE ACCESO

– Para plástico: continúe con el Paso 62

– Para metal: continúe con el Paso 65

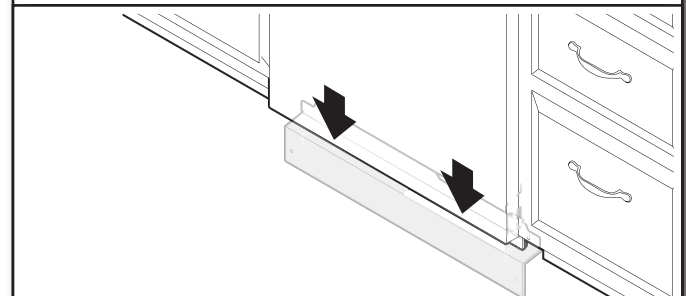
Panel de plástico:

62. Vuelva a instalar el panel de acceso y los elementos de sujeción



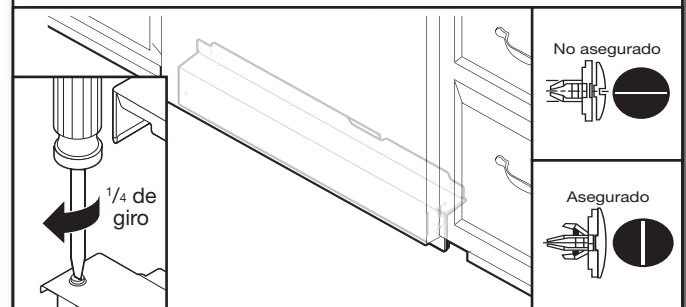
Coloque el panel de acceso de plástico contra la pata de la lavavajillas. Compruebe que el aislamiento no interfiere con el conjunto de flotación.

63. Compruebe el borde del panel de acceso



Compruebe que el borde inferior del panel de acceso está en contacto con el piso. Ajustelo si es necesario.

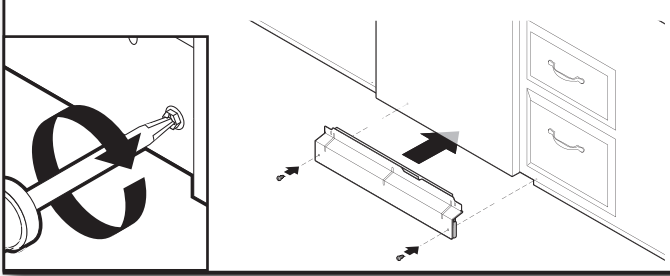
64. Apriete los elementos de sujeción



Con un destornillador plano, gire los elementos de sujeción $\frac{1}{4}$ hacia la derecha para fijarlos en su lugar. La ranura de los elementos de sujeción estará completamente vertical cuando se asegure correctamente. Vaya al paso 67.

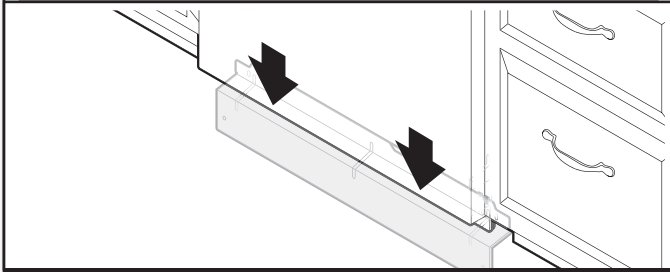
Panel de metal:

65. Vuelva a instalar los panel de acceso



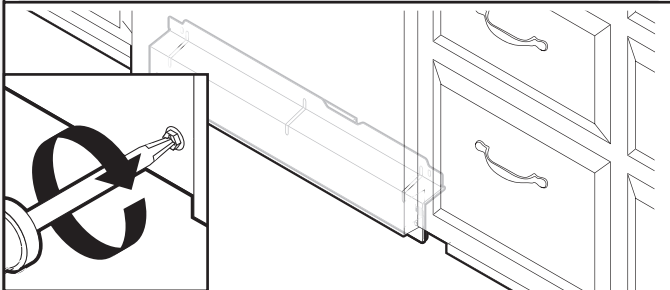
Coloque el panel contra las patas de la lavavajillas. Use un destornillador Phillips o un aprietatuercas de 1/4" para volver a instalar los tornillos a través de los orificios en el panel de acceso.

66. Compruebe el borde del panel inferior



Compruebe que el borde inferior del panel de acceso está en contacto con el piso. Ajústelo si es necesario.

67. Apriete los tornillos



Apriete los tornillos del panel de acceso.

COMPROBACIÓN DEL FUNCIONAMIENTO

- Consulte el Guía del usuario de la lavavajillas proporcionado con la lavavajillas.
- Compruebe que se han instalado todas las piezas y que no se ha omitido ningún paso. Compruebe que tiene todas las herramientas que utilizó.

Si la lavavajillas no funciona de forma adecuada, desconecte el suministro de energía o desenchufe la lavavajillas y consulte la sección "Funcionamiento inadecuado de la lavavajillas".

FUNCIONAMIENTO INADECUADO DE LA LAVAVAJILLAS

Pruebe primero las soluciones aquí sugeridas y posiblemente se evite el costo de una visita de servicio técnico.

- ¿Se ha disparado el cortacircuitos o se ha quemado el fusible de la casa?
- ¿Se ha cerrado y bloqueado bien la puerta?
- ¿Se ha seleccionado correctamente el ciclo para poner en marcha la lavavajillas?
- ¿Está abierta la llave del agua?

Si no funciona ninguna de estas soluciones, consulte el Guía del usuario para obtener la información de contacto del servicio técnico.

CONSEJOS ADICIONALES

El lavado tomará más tiempo. Su nueva lavavajillas tardará un promedio de 2 a 5 horas por carga, pero utiliza un 40 % menos de electricidad que modelos anteriores. Su lavavajillas se ha diseñado con un motor de bajo voltaje y de bajo consumo de energía; por ello, lava durante períodos más prolongados para garantizar una limpieza excepcional. Algunos modelos están equipados con un sensor de agua óptico, de modo que el primer ciclo funcionará por más tiempo para calibrar el sensor óptico. La selección de ciertas opciones puede aumentar la duración del ciclo a más de 3,5 horas.

El agente de enjuague es esencial para lograr buenos resultados en el secado:

esta lavavajillas se ha diseñado para usarse con un agente de enjuague para obtener un buen secado y para limitar la acumulación de depósitos de agua dura. Las lavavajillas eficientes utilizan menos agua y energía, y por ello dependen de la acción de difusión del agente de enjuague para realizar un buen secado.

Es posible que la luz de Start/Resume (Inicio/Reanudar) parpadee:

Al presionar Start/Resume, asegúrese de cerrar la puerta antes de 3 segundos. Si no cierra la puerta antes de 3 segundos, la luz de Start/Resume parpadeará hasta que la presione nuevamente. (También debe hacer esto al añadir vajilla durante un ciclo.)

TABLE DES MATIÈRES

SÉCURITÉ DU LAVE-VAISSELLE	53	Raccord du tuyau de vidange.....	63
EXIGENCES D'INSTALLATION	54	Branchement du câble électrique.....	64
Outils et pièces	54	Installation de la poignée de porte	66
Exigences d'emplacement	56	Placer le lave-vaisselle dans l'armoire.....	66
Dimensions du produit et de l'emplacement d'installation.....	57	Installation du panneau personnalisé	67
Exigences d'évacuation.....	58	Choix de l'option de fixation.....	67
Spécifications de l'alimentation en eau	58	Vérification de l'installation finale.....	68
Spécifications électriques.....	58	Fixation du lave-vaisselle dans l'ouverture d'encastrement de l'armoire	69
INSTRUCTIONS D'INSTALLATION	59	Méthode de raccordement direct	70
Préparation de l'emplacement – nouvelles unités	59	Branchement de l'arrivée d'eau au robinet d'arrêt de la maison	72
Installer la barrière anti-humidité optionnelle.....	59	Raccordement du tuyau de vidange.....	72
Raccordement électrique.....	60	Terminer l'installation	74
Préparation du lave-vaisselle.....	61	Installation du panneau d'accès.....	75
Retrait du panneau d'accès.....	61	Contrôle du fonctionnement	76
Branchement de l'arrivée d'eau à la valve de distribution.....	62	Si le lave-vaisselle ne fonctionne pas.....	76
Branchement du tuyau de distribution à la valve de distribution.....	63	Conseils supplémentaires.....	76

Votre sécurité et celle des autres est très importante.

Nous donnons de nombreux messages de sécurité importants dans ce manuel et sur votre appareil ménager. Assurez-vous de toujours lire tous les messages de sécurité et de vous y conformer.



Voici le symbole d'alerte de sécurité.

Ce symbole d'alerte de sécurité vous signale les dangers potentiels de décès et de blessures graves à vous et à d'autres.

Tous les messages de sécurité suivront le symbole d'alerte de sécurité et le mot "DANGER" ou "AVERTISSEMENT". Ces mots signifient :

⚠ DANGER

Risque possible de décès ou de blessure grave si vous ne suivez pas immédiatement les instructions.

⚠ AVERTISSEMENT

Risque possible de décès ou de blessure grave si vous ne suivez pas les instructions.

Tous les messages de sécurité vous diront quel est le danger potentiel et vous disent comment réduire le risque de blessure et ce qui peut se produire en cas de non-respect des instructions.

⚠ AVERTISSEMENT



Risque de basculement

Ne pas utiliser le lave-vaisselle jusqu'à ce qu'il soit complètement installé.

Ne pas appuyer sur la porte ouverte.

Le non-respect de ces instructions peut causer des blessures graves ou des coupures.

Il faut :

- Ouvrir lentement la porte du lave-vaisselle tandis qu'une autre personne saisit l'arrière de l'appareil. Enlever le matériau d'expédition et le tuyau de vidange. Fermer la porte du lave-vaisselle; elle doit s'enclencher.

REMARQUE : Chaque lave-vaisselle a été testé en usine – en raison de ces tests, il est possible qu'il reste un peu d'eau dans la cuve du lave-vaisselle.

- Observer les dispositions de tous les codes et règlements en vigueur.
- Installer le lave-vaisselle conformément aux prescriptions des présentes instructions.
- L'installation doit être exécutée par un technicien qualifié.
- Le lave-vaisselle doit être installé conformément aux dispositions de tous les codes et règlements locaux et nationaux régissant les installations de plomberie et d'électricité.

L'installation ou le retrait de l'appareil doit se faire avec précaution afin de réduire le risque d'endommagement du cordon d'alimentation.

AVERTISSEMENT : Afin de réduire le risque d'incendie, de choc électrique ou de blessures corporelles, l'installateur doit s'assurer que le lave-vaisselle est complètement encastré au moment de l'installation.

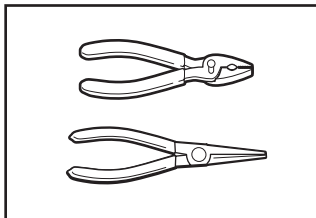
EXIGENCES D'INSTALLATION

OUTILS ET PIÈCES

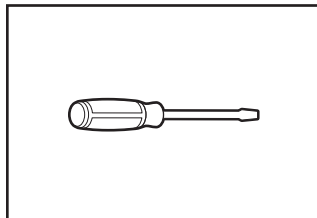
Rassembler les outils et composants nécessaires avant d'entreprendre l'installation. Lire et observer les instructions fournies avec chacun des outils de la liste ci-dessous.

Toutes les installations

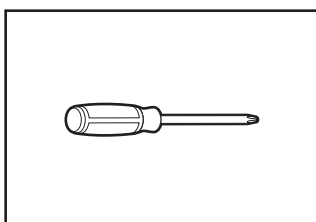
Outils nécessaires :



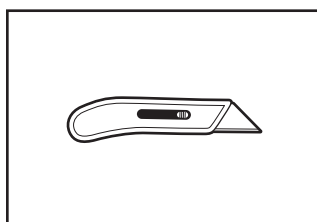
Pince



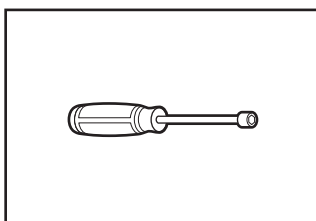
Tournevis à lame plate



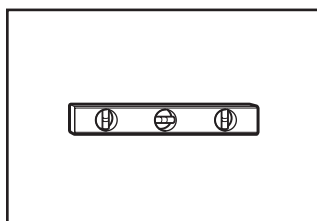
Tournevis Phillips



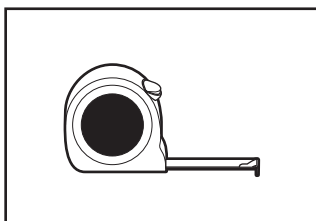
Couteau utilitaire



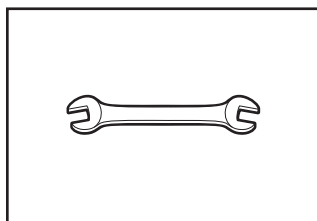
Tourne-écrou ou clé à douille de 5/16" 1/4"



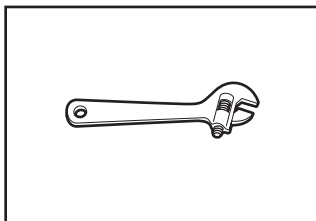
Petit niveau



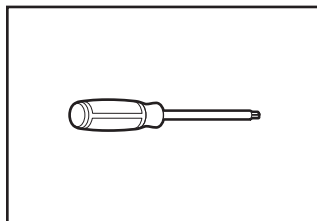
Mètre-ruban ou règle



Clé plate de 5/8"

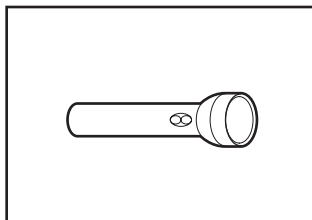


Clé à molette de 10 po avec ouverture jusqu'à 1 1/8" (29 mm)

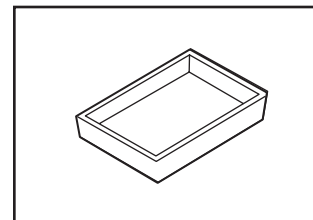


Tournevis Torx®† T20®. Si l'on installe des panneaux avant personnalisés, tournevis Torx® T15®.

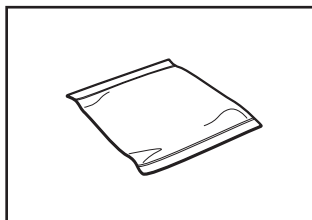
Autres articles utiles pouvant être nécessaires :



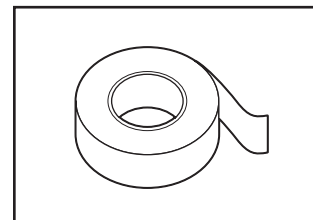
Lampe de poche



Plat peu profond

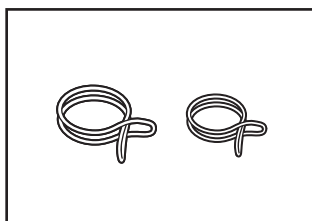


Serviette de bain

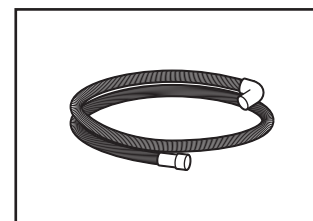


Ruban de masquage ou ruban adhésif

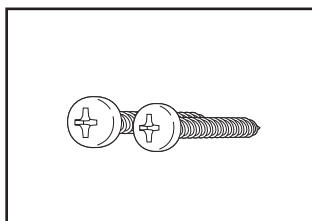
Pièces fournies :



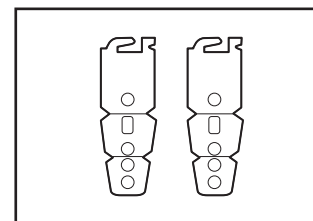
Brides pour tuyau de décharge (2) (1 grosse/rouge et 1 petite/verte)



Tuyau de décharge

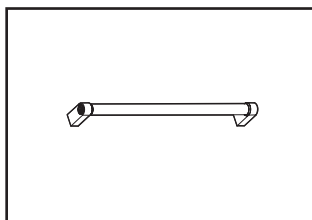


Vis Phillips no 10 x 1/2" (2)



Brides de soutien (au-dessous du plan de travail) (2)

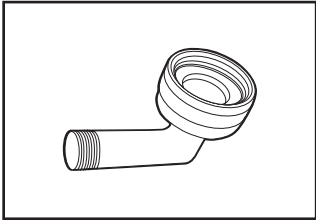
S'assurer que toutes ces pièces sont comprises dans le sachet de documentation. Si les pièces ne sont pas incluses, nous contacter au numéro sans frais ou visiter notre site Web (voir le Guide d'utilisation).



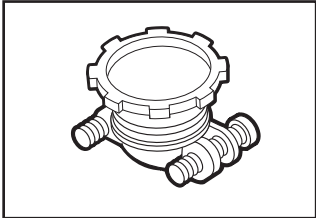
Poignée de porte (sur certains modèles)

†® TORX, T15 et T20 sont des marques déposées de Acument Intellectual Properties, LLC.

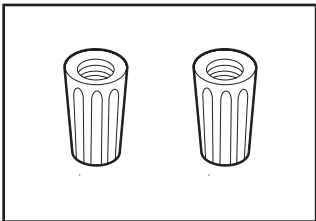
Autres pièces nécessaires (non fournies) :



Raccord de tuyau coudé à 90° de $\frac{3}{8}$ " (9,8 mm) x $\frac{3}{4}$ " (19 mm) d'extrémité de compression avec joint de caoutchouc (nécessaire pour raccorder correctement la canalisation d'eau du domicile au lave-vaisselle) (no de pièce Whirlpool W10685193)



Serre-câbles métallique pour câblage du domicile qui convient à l'orifice de $\frac{7}{8}$ " (22 mm) (nécessaire pour raccorder correctement le câble du domicile au boîtier de connexion du lave-vaisselle) (no de pièce Whirlpool 4396672)



REMARQUE : Utiliser uniquement une pièce homologuée UL ou CSA.

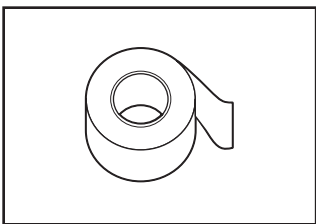
Capuchon de connexion

REMARQUES :

- Confirmer une taille correcte pour connecter le calibre du câblage du domicile au câblage de calibre 16 du lave-vaisselle.
- Utiliser uniquement des pièces homologuées UL ou CSA.

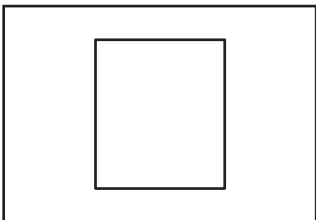
Nous contacter au numéro sans frais ou visiter notre page Web (voir le Guide d'utilisation) pour obtenir les numéros des pièces ci-dessus ou visiter un détaillant de fournitures électriques et de plomberie pour une équivalence.

Accessoires facultatifs disponibles :



Ruban de barrière anti-humidité

REMARQUE : Le ruban de barrière anti-humidité ajoute une protection facultative supplémentaire si le lave-vaisselle est installé sous un plan de travail en bois. (No de pièce Whirlpool 4396277)



Ensemble de panneaux latéraux

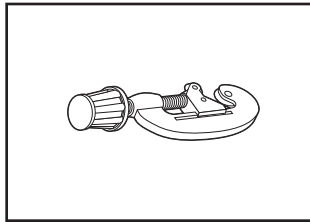
Pour fermer le côté du lave-vaisselle lorsqu'il est installé à l'extrémité de l'armoire. (le numéro de référence Whirlpool varie selon la couleur)

Nous contacter au numéro sans frais ou visiter notre page Web (voir le Guide d'utilisation) pour obtenir les numéros des pièces ci-dessus.

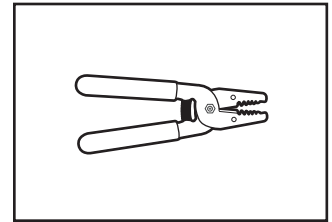
Première installation

Consulter les codes locaux. Vérifier l'alimentation électrique existante. Voir la section "Spécifications électriques". Il est recommandé de faire réaliser tous les raccordements électriques par un électricien qualifié agréé.

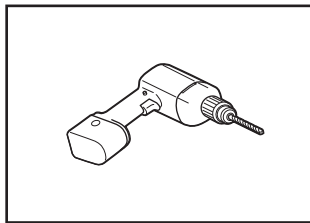
Outils supplémentaires nécessaires :



Petit coupe-tube

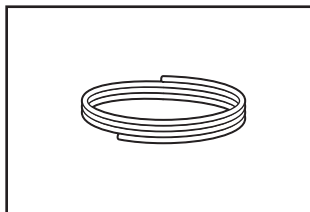


Pince à dénuder



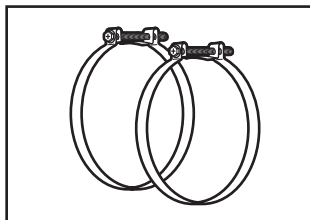
Perceuse électrique avec mèches scie-cloche de $\frac{1}{2}$ ", $\frac{3}{4}$ " et $1\frac{1}{2}$ "

Pièces supplémentaires nécessaires (non fournies) :

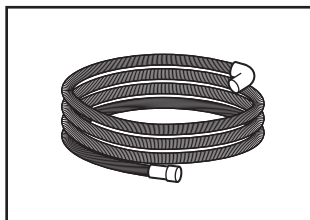


Canalisation de cuivre

(diamètre externe suggéré de $\frac{3}{8}$ ") ou ensemble de canalisation d'arrivée d'eau flexible à tresse d'acier (numéro de pièce Whirlpool W10278635RP). L'ensemble inclut un tuyau tressé et un raccord de tuyau de $\frac{3}{8}$ " x $\frac{3}{4}$ " d'extrémité de compression



Bride à vis $1\frac{1}{2}$ " à 2" (38 à 50 mm) (maximum 3)



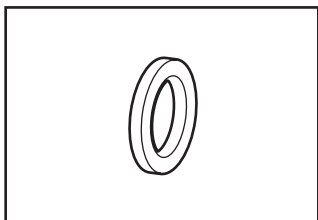
Plus long tuyau de vidange optionnel d'une longueur maximale de 12' (3,7 m) (numéro de pièce Whirlpool 3385556)

REMARQUE : Doit être conforme à toutes les normes de test AHAM/IAPMO, convenir à des raccordements de vidange de 1" (25 mm) et être résistant à la chaleur et aux détergents.

Nous contacter au numéro sans frais ou visiter notre page Web (voir le Guide d'utilisation) pour obtenir les numéros des pièces ci-dessus ou visiter un détaillant de fournitures électriques et de plomberie pour une équivalence.

REMARQUE : Si l'on utilise un tuyau flexible tressé, remplacer le tuyau d'alimentation après 5 ans d'utilisation pour réduire le risque de défaillance du tuyau. Inscrive la date d'installation ou de remplacement du tuyau sur celui-ci, pour référence ultérieure.

Pour les installations à raccordement direct

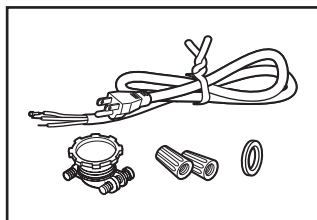
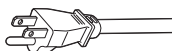


Entretoise d'armoire

Pour un trou de 1 1/2" (38 mm) dans une armoire. (No de pièce Whirlpool 302797)

REMARQUE : Requis pour les armoires en métal.

Pour un cordon d'alimentation



Ensemble pour cordon d'alimentation

L'ensemble comprend habituellement un cordon d'alimentation, un serre-câbles métallique, un œillet et des connecteurs de fils. (No de pièce Whirlpool 4317824)

Nous contacter au numéro sans frais ou visiter notre page Web (voir le Guide d'utilisation) pour obtenir les numéros des pièces ci-dessus ou visiter un détaillant de fournitures électriques pour une équivalence.

EXIGENCES D'EMPLACEMENT

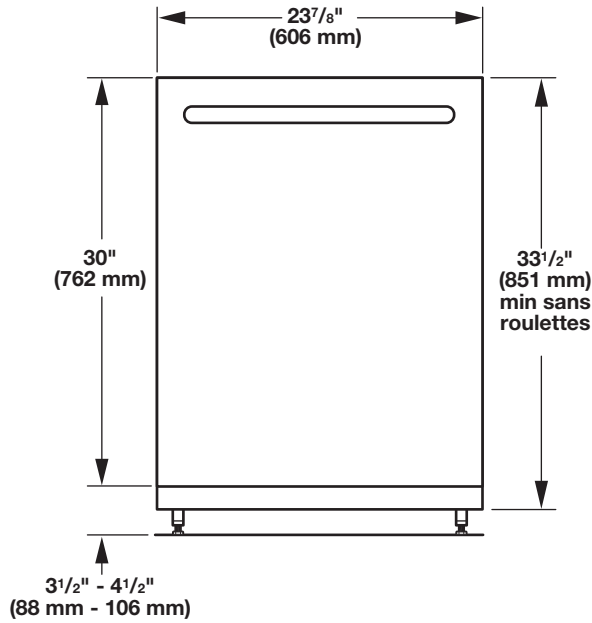
L'appareil doit être entièrement encastré (sur le dessus, les côtés, l'arrière et au sol) dès l'installation. Un ensemble de panneaux latéraux est disponible chez votre marchand pour l'installation du lave-vaisselle à l'extrémité d'une rangée d'armoires.

Une barrière anti-humidité en option est également disponible pour l'installation sous un plan de travail en bois. Voir la section "Outils et pièces" sur la couverture du guide pour des détails sur les pièces et pour commander.

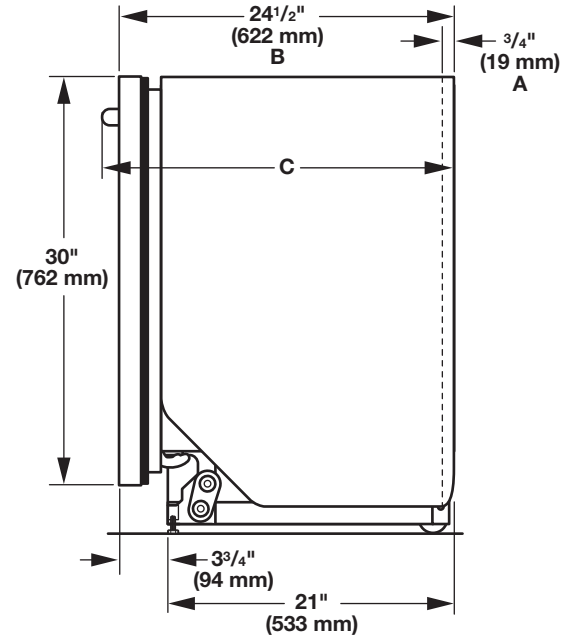
Inspecter l'emplacement d'installation du lave-vaisselle. Il doit comporter les caractéristiques suivantes :

- Accès facile pour chargement et déchargement de la vaisselle. Dans le cas de l'installation dans un angle, on doit pouvoir établir un dégagement de 2" (51 mm) ou plus entre le côté de la porte du lave-vaisselle et le mur ou l'armoire.
- Facilité d'accès aux canalisations d'eau et d'évacuation et à la source d'électricité.
 - Une source d'électricité avec liaison à la terre est nécessaire.
 - Ce lave-vaisselle est doté d'une fonction de chauffage de l'eau et doit être raccordé à la canalisation d'alimentation en eau chaude.
 - Veiller à ce que les canalisations d'eau et d'évacuation et les câbles électriques se trouvent dans les limites de la zone marquée en gris illustrée dans la section "Dimensions du produit et de l'emplacement d'installation".
 - Ne pas placer de canalisation d'évacuation, canalisation d'eau ou câblage électrique à un endroit où cela susciterait interférence ou contact avec les pieds ou le moteur du lave-vaisselle.
 - Protéger du gel le lave-vaisselle et les canalisations d'eau qui l'alimentent. La garantie de l'appareil ne couvre pas les dommages imputables au gel.
- **REMARQUE :** Si le lave-vaisselle ne doit pas être utilisé pendant une période prolongée ou s'il est laissé à un endroit qui pourrait être exposé au gel, veiller à faire exécuter les opérations de pré-hivernage par un technicien compétent.
- S'il est installé dans une nouvelle construction, enlever tout débris de l'arrivée d'eau avant de la brancher à la valve de distribution. Les débris qui ne sont pas enlevés de l'eau pourraient obturer le filtre de la valve de distribution.
- Une ouverture carrée offrant l'esthétique appropriée et permettant un fonctionnement correct.
- La façade des armoires perpendiculaire au plancher.
- Un plancher horizontal et plat
 - **Conseil utile :** S'il y a un écart de niveau sur le plancher entre l'avant et l'arrière de l'emplacement d'installation, il pourrait être nécessaire d'utiliser des cales pour établir l'aplomb de l'appareil.
 - **REMARQUE :** Pour éviter tout déplacement des cales durant le fonctionnement du lave-vaisselle, les cales doivent être solidement fixées au plancher.
- À l'emplacement d'installation du lave-vaisselle, on doit pouvoir établir le dégagement approprié entre le moteur et le plancher. Le moteur ne doit pas toucher le plancher.
- Ne pas installer le lave-vaisselle par-dessus un tapis.

Dimensions du produit et de l'emplacement d'installation

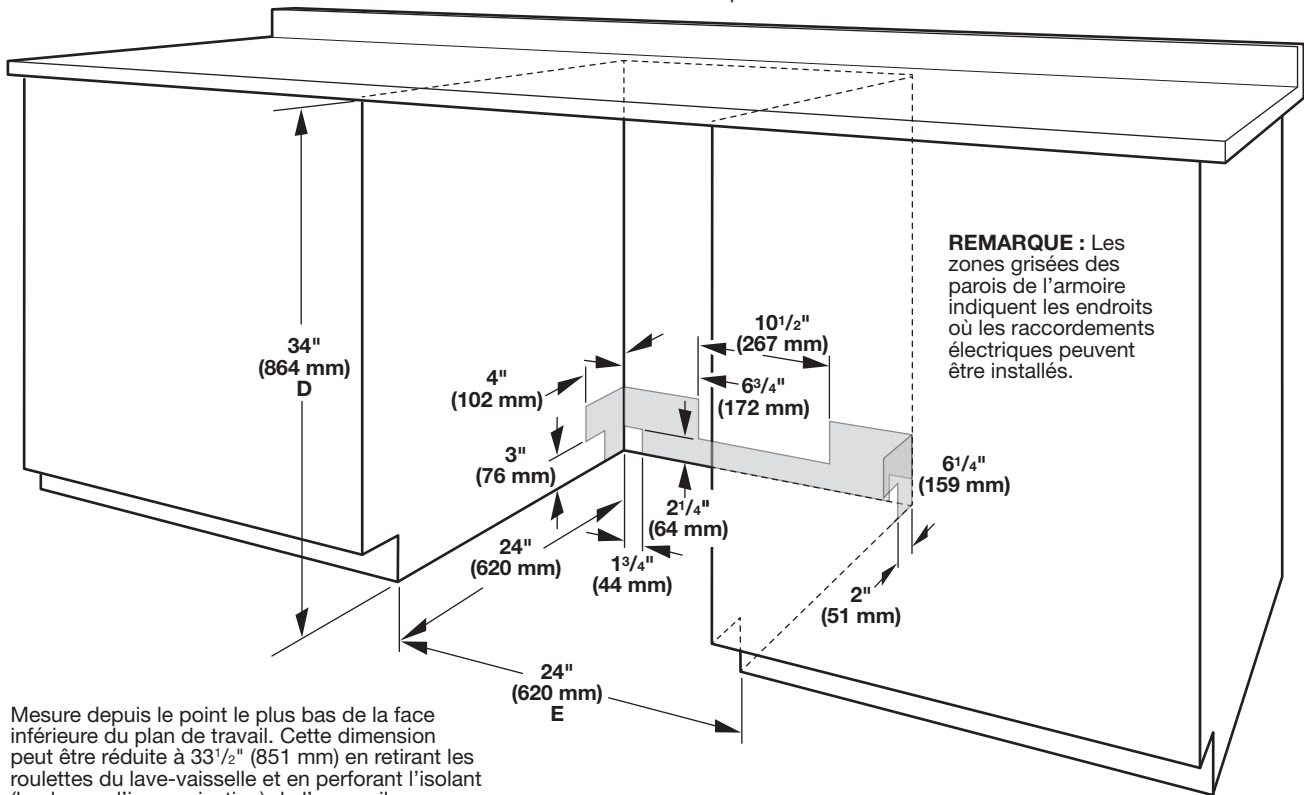


Pour un coup-de-pied de 4" (100 mm), la hauteur de l'ouverture est de 34 1/2" (863 mm).



- A. L'isolant peut être comprimé (utilisé sur certains modèles).
- B. Pour les modèles avec panneaux prêts à installer, la profondeur du lave-vaisselle est de 24" (610 mm) – sans le panneau de porte personnalisé de 3/4" (19 mm).
- C. Les poignées de porte peuvent dépasser vers la façade du lave-vaisselle; varie selon le modèle.

Vérifier que toutes les surfaces n'ont aucune aspérité qui empêcherait l'installation du lave-vaisselle.



REMARQUE : Les zones grisées des parois de l'armoire indiquent les endroits où les raccordements électriques peuvent être installés.

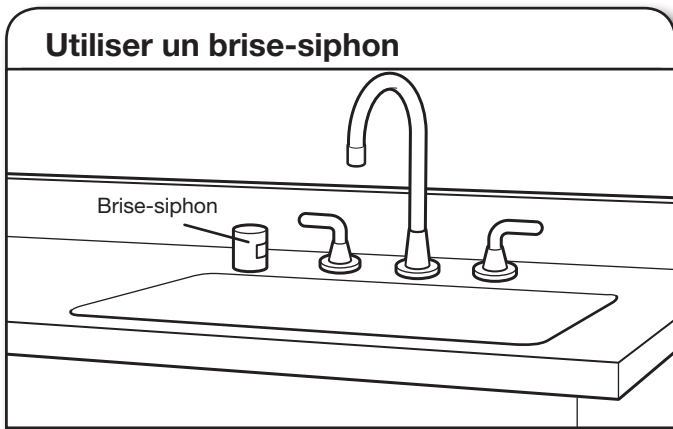
- D. Mesure depuis le point le plus bas de la face inférieure du plan de travail. Cette dimension peut être réduite à 33 1/2" (851 mm) en retirant les roulettes du lave-vaisselle et en perforant l'isolant (la plaque d'insonorisation) de l'appareil.
- E. Dimension minimale mesurée au point le plus étroit de l'ouverture

EXIGENCES D'ÉVACUATION

- Un tuyau d'évacuation neuf est fourni avec le lave-vaisselle. Si le tuyau d'évacuation n'est pas suffisamment long, utiliser un tuyau d'évacuation neuf d'une longueur maximale de 12 pi (3,7 m) satisfaisant à toutes les normes de test AHAM/IAPMO en vigueur, qui soit résistant à la chaleur et au détergent et qui convienne au raccord d'évacuation de 1" (25 mm) du lave-vaisselle. Voir la section "Outils et pièces" sur la couverture du guide pour des détails sur les pièces et pour commander.

REMARQUE : Ne pas utiliser plusieurs tuyaux de vidange.

- Veiller à raccorder le tuyau d'évacuation à la canalisation d'égout en T ou au raccord de broyeur à déchets en amont du siphon du circuit de plomberie du domicile, et à au moins 20" (508 mm) au-dessus du sol. On recommande de lover le tuyau d'évacuation et de le fixer solidement sur la face inférieure du plan de travail ou de le raccorder à un dispositif de brise-siphon.
- Utiliser un dispositif de brise-siphon si le tuyau d'évacuation est raccordé au circuit de plomberie du domicile à moins de 20" (508 mm) au-dessus du sous-plancher ou du plancher.



- Si nécessaire, le dispositif de brise-siphon doit être installé conformément aux instructions d'installation de ce dernier. Lors du raccordement du dispositif de brise-siphon à la canalisation d'égout en T ou au raccord de broyeur à déchets, un tuyau en caoutchouc (non fourni) sera nécessaire.
- Utiliser des raccords de canalisation d'évacuation de diamètre intérieur de 1/2" minimum.

SPÉCIFICATIONS DE L'ALIMENTATION EN EAU

- Ce lave-vaisselle est doté d'une fonction de chauffage de l'eau et doit être raccordé à la canalisation d'alimentation en eau chaude.
- Une canalisation d'eau chaude, sous pression de 20 à 120 lb/po² (138 à 862 kPa), peut être inspectée par un plombier certifié.
- Température de 120 °F (49 °C) à l'entrée du lave-vaisselle
- Tube de cuivre de 3/8" de diamètre externe avec raccord de compression ou canalisation d'alimentation en eau flexible à tresse d'acier. Voir la section "Outils et pièces" sur la couverture du guide pour des détails sur les pièces et pour commander.

REMARQUE : L'emploi d'un tuyau de plastique d'un minimum de 1/2" n'est pas recommandé.

- Raccord coudé à 90° avec raccord de tuyau de 3/4" et rondelle de caoutchouc. Voir la section "Outils et pièces" sur la couverture du guide pour des détails sur les pièces et pour commander.
- Ne pas souder à moins de 6" (152 mm) de l'électrovanne d'admission d'eau.
- S'il est installé dans une nouvelle construction, vous assurer que l'entrée d'eau de la maison a été nettoyée avant d'effectuer le branchement au lave-vaisselle pour enlever les débris possibles.

REMARQUE : S'il remplace un lave-vaisselle existant, il est recommandé d'installer une nouvelle entrée d'eau (voir la section "Outils et pièces" au début du guide pour les renseignements sur les pièces) et vider le tuyau de vidange (fourni) avec le nouveau lave-vaisselle.

SPÉCIFICATIONS ÉLECTRIQUES

S'assurer que le raccordement électrique est adéquat et conforme au code national de l'électricité, ANSI/NFPA 70 – dernière édition, et à tous les codes et règlements locaux en vigueur.

Pour obtenir un exemplaire des normes des codes ci-dessus, contacter :

National Fire Protection Association
1 Batterymarch Park
Quincy, MA 02169-7471

Il vous faut :

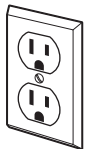
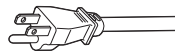
- Une source d'alimentation de 120 V CA, 60 Hz, 15 ou 20 A CA seulement, protégée par fusible
- Conducteurs de cuivre uniquement
- Un maximum de 2 conducteurs d'alimentation (calibre 12 AWG maximum) plus 1 conducteur de mise à la terre est autorisé dans le boîtier de connexion.

Nous recommandons :

- L'utilisation d'un fusible ou disjoncteur temporisé
- Un circuit séparé

Pour le raccordement du lave-vaisselle avec un cordon d'alimentation électrique :

- Utiliser un cordon d'alimentation (homologation UL) conçu pour utilisation avec un lave-vaisselle. Voir la section "Outils et pièces" sur la couverture du guide pour des détails sur les pièces et pour commander.
- Brancher l'appareil sur une prise 3 alvéoles reliée à la terre. La prise doit être conforme à tous les codes et règlements locaux.



Pour le raccordement direct du lave-vaisselle :

- Utiliser des conducteurs de cuivre gainés non métalliques ou blindés souples avec conducteur de liaison à la terre qui satisfassent aux exigences de l'installation électrique du domicile, et qui soient conformes aux prescriptions des codes et règlements locaux.
- Utiliser un serre-câbles (homologation UL ou CSA). Voir la section "Outils et pièces" sur la couverture du guide pour des détails sur les pièces et pour commander.



INSTRUCTIONS D'INSTALLATION

⚠ AVERTISSEMENT



Risque de choc électrique

Interrompre l'alimentation électrique avant d'installer le lave-vaisselle (au niveau du tableau de distribution - fusible ou disjoncteur)

Le non-respect de cette instruction peut causer un décès ou un choc électrique.

1. Déconnecter la source de courant électrique

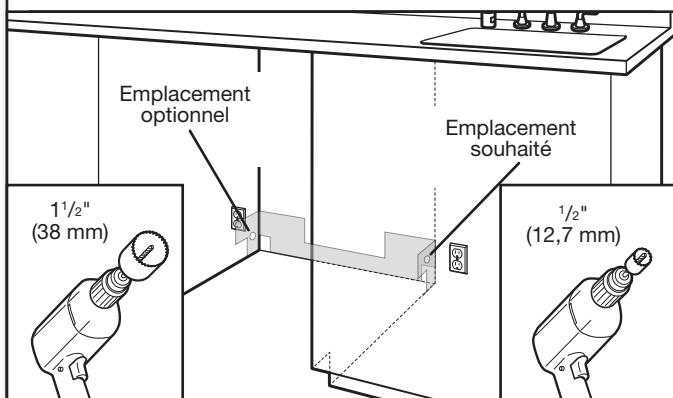
Interrompre l'alimentation électrique à la boîte de fusibles (fusible ou disjoncteur) avant d'installer le lave-vaisselle.

2. Couper l'arrivée d'eau

Fermer l'approvisionnement en eau du lave-vaisselle.

PRÉPARATION DE L'EMPLACEMENT – NOUVELLES UNITÉS

3. Emplacement des trous à percer – nouvelle construction



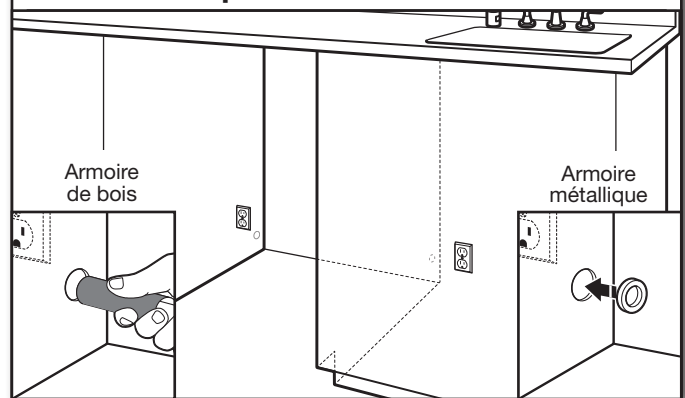
REMARQUE : Consulter la section "Dimensions du produit et de l'emplacement d'installation" pour connaître l'emplacement exact des trous et les dimensions des zones grises.

Percer un trou de 1/2" (38 mm) pour le tuyau de vidange sur le côté ou l'arrière de l'armoire, en fonction de la position du tuyau de vidange et de son emplacement de connexion.

Percer un trou de 1/2" (12,7 mm) pour le tuyau d'arrivée d'eau sur le côté ou l'arrière de l'armoire, en fonction de la position du tuyau d'arrivée d'eau et de son emplacement de connexion.

Percer un trou de 1/2" (38 mm) pour le câblage électrique sur le côté droit ou à l'arrière de l'armoire.

4. Poncer pour obtenir des trous lisses



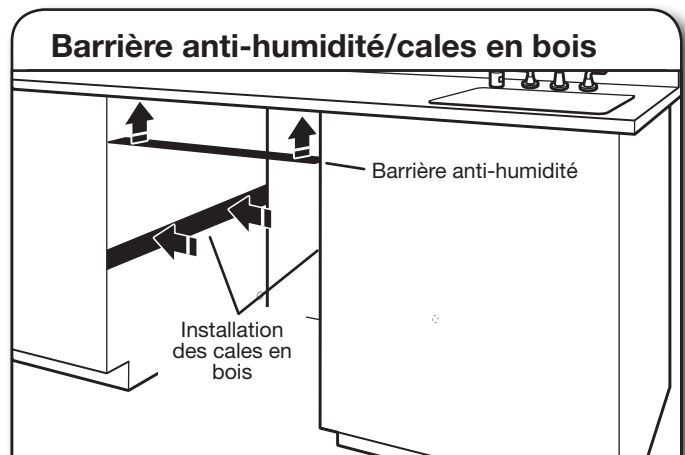
Armoire de bois : Poncer le trou jusqu'à obtenir une surface lisse.

Armoire métallique : Couvrir le contour du trou avec l'œillet fourni avec l'ensemble du cordon d'alimentation. Voir la section "Outils et pièces" sur la couverture du guide pour des détails sur les pièces.

Conseil utile : Le raccordement au lave-vaisselle sera plus facile si on achemine le câble par le côté droit de l'ouverture d'encastrement de l'armoire.

INSTALLER LA BARRIÈRE ANTI-HUMIDITÉ OPTIONNELLE –

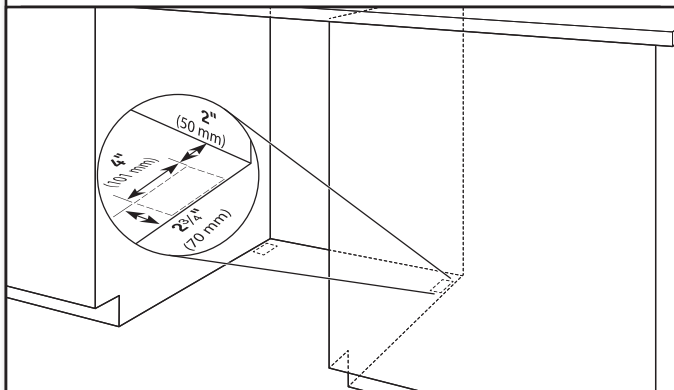
RECOMMANDER POUR LES DESSUS DE COMPTOIR EN BOIS



Voir la section "Outils et pièces" sur la couverture du guide pour des détails sur les pièces et pour commander. Veiller à ce que la zone se trouvant sous l'armoire soit propre et sèche avant d'installer la barrière anti-humidité. Ôter la protection de la barrière anti-humidité et appliquer la barrière sur le dessous du plan de travail, le long de la rive avant du comptoir.

REMARQUE : Utiliser des cales en bois si la fixation de côté et l'espacement entre les côtés de l'armoire et du lave-vaisselle est supérieur à 1/2" (12,7 mm) de chaque côté ou supérieur à la longueur des vis d'ancrage.

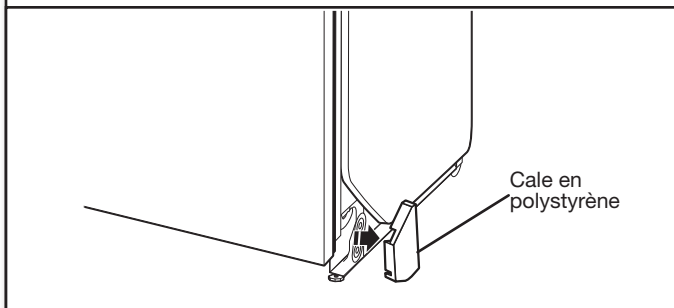
5. Surélever le plancher – ajouter des cales au besoin



Surélever le plancher : Si le plancher de la cuisine est plus élevé que le plancher de l'ouverture de l'armoire (par exemple, le carrelage du plancher de la cuisine n'arrive pas jusque dans l'ouverture de l'armoire), ajouter des cales selon le besoin dans la zone indiquée pour placer le lave-vaisselle à une hauteur maximale de 34" (864 mm) sous le plan de travail.

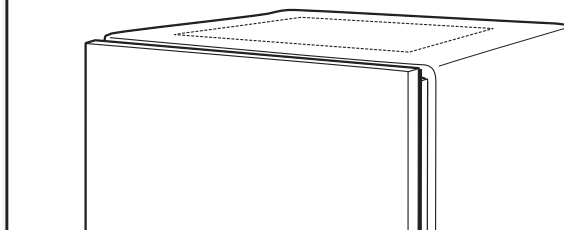
REMARQUE : Pour éviter tout déplacement des cales durant le fonctionnement du lave-vaisselle, les cales doivent être solidement fixées au plancher.

6. Retrait de la cale en polystyrène



Enlever et jeter les cales en polystyrène (si présents; car tous les modèles n'en sont pas pourvus) situées au-dessus des pieds avant, de chaque côté du lave-vaisselle. Les cales permettent de couvrir les poulies à cordon/chaîne du lave-vaisselle.

Si installé dans une ouverture de 33 1/2" (851 mm)



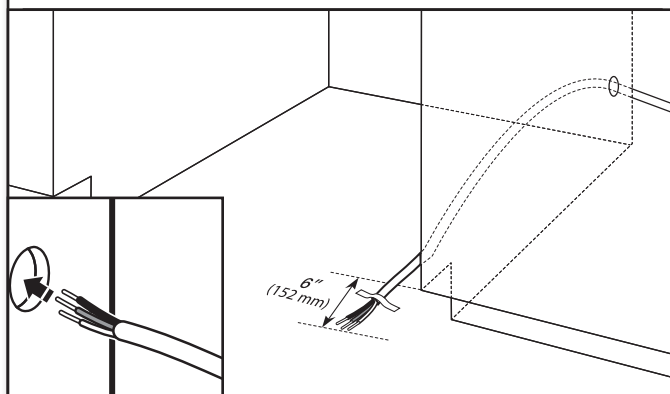
Découper la plaque d'insonorisation le long des perforations pour une ouverture d'armoire d'une hauteur de 33 1/2" (851 mm). Pour les autres hauteurs d'ouverture d'armoire, ne pas découper.

RACCORDEMENT ÉLECTRIQUE

– Pour un raccordement direct, commencer à l'étape 7

– Pour un cordon d'alimentation, attendre jusqu'à tape 22

7. Raccordement direct – position du câble



Passer le câble comme indiqué pour un raccordement direct.

Acheminer le câble de l'alimentation électrique à travers le trou dans l'armoire (le câble doit dépasser par le côté avant droit de l'ouverture d'encastrement de l'armoire). Fixer le câble au plancher avec du ruban adhésif dans la zone indiquée. Cela empêchera le câble de bouger lors du déplacement du lave-vaisselle dans l'ouverture de l'armoire.

REMARQUE : Si un vieux lave-vaisselle avec cordon d'alimentation est enlevé, il faudra transférer ce cordon d'alimentation au nouveau lave-vaisselle.

PRÉPARATION DU LAVE-VAISSELLE

⚠ AVERTISSEMENT



Risque de basculement

Ne pas utiliser le lave-vaisselle jusqu'à ce qu'il soit complètement installé.

Ne pas appuyer sur la porte ouverte.

Le non-respect de ces instructions peut causer des blessures graves ou des coupures.

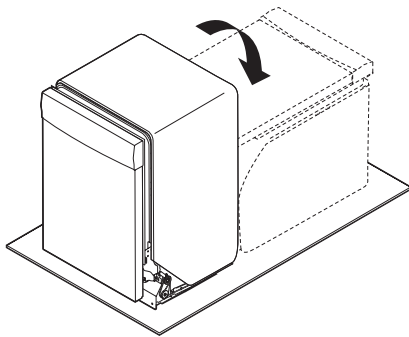
⚠ AVERTISSEMENT

Risque du poids excessif

Utiliser deux personnes ou plus pour déplacer et installer le lave-vaisselle.

Le non-respect de cette instruction peut causer une blessure au dos ou d'autre blessure.

8. Placer le lave-vaisselle sur le dos



Conseil utile : Placer une feuille de carton sous le lave-vaisselle jusqu'à son installation dans l'ouverture d'encastrement de l'armoire pour éviter d'endommager le revêtement de sol.

À l'aide d'au moins deux personnes, saisir les côtés de l'encadrement de la porte du lave-vaisselle et placer le lave-vaisselle sur le dos.

Afin d'éviter d'érafler le panneau de porte, ne pas se servir du panneau de porte comme planche de travail sans l'avoir recouvert d'une serviette au préalable.

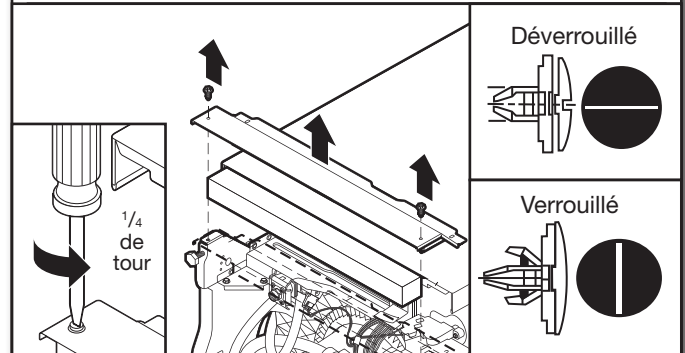
REMARQUE : Sur certains modèles, une fois le lave-vaisselle sur le dos, tirer sur la poignée de porte pour l'enlever du panneau d'accès.

RETRAIT DU PANNEAU D'ACCÈS

– Pour les panneaux d'accès en plastique, continuer à l'étape 9

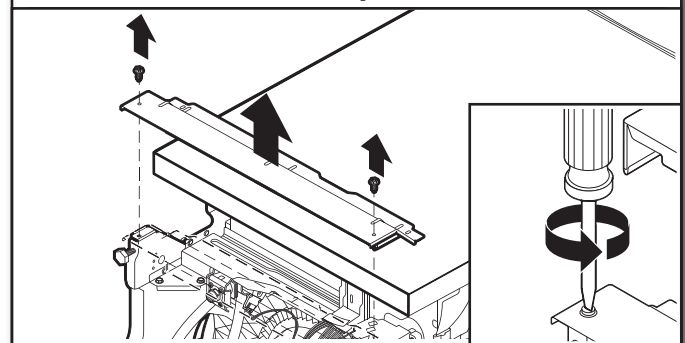
– Pour les panneaux d'accès en métal, continuer à l'étape 10

9. Panneau en plastique



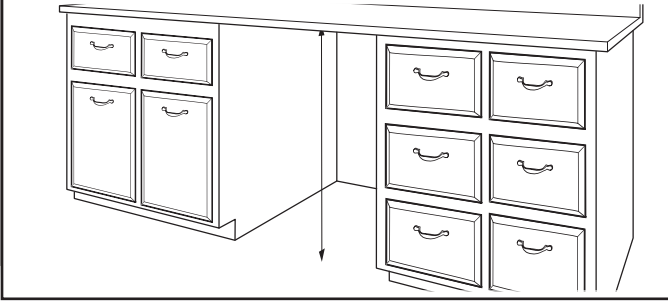
À l'aide d'un tournevis à lame plate, tourner les dispositifs de fixation d'un quart de tour dans le sens antihoraire pour les déverrouiller. Retirer le panneau. Ne pas retirer la fiche technique du panneau d'accès. Passer à l'étape 11.

10. Panneau métallique



À l'aide d'un tourne-écrou ou un tournevis Phillips de 1/4", ôter les deux vis fixant le panneau d'accès au lave-vaisselle. Ne pas retirer la fiche technique du panneau d'accès.

11. Mesure de l'ouverture d'encastrement

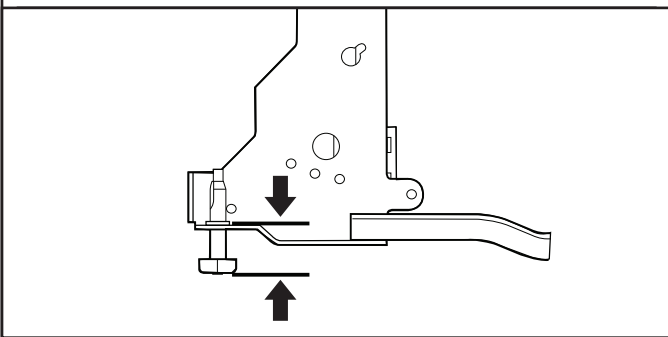


Mesurer la hauteur libre de l'espace d'installation, sous le plan de travail. Vous assurer de mesurer le point le plus bas sous le plan de travail et le point le plus sur le sol.

Tableau de réglage de la hauteur du lave-vaisselle

Hauteur de l'encastrement	Hauteur des pieds avant	Position des roues	Plaque d'insonorisation
33 ¹ / ₂ " (851 mm)	³ / ₈ " (9,8 mm)	Retirer	Coupe
34" (864 mm)	⁹ / ₁₆ " (14 mm)	1	Pas de coupe
34 ¹ / ₄ " (871 mm)	¹³ / ₁₆ " (21 mm)	2	Pas de coupe
34 ¹ / ₂ " (876 mm)	¹¹ / ₁₆ " (27 mm)	3	Pas de coupe

Pieds arrière - A

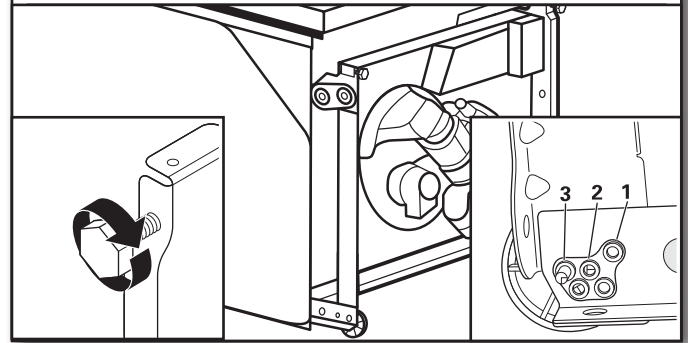


Ajuster les pieds de réglage de l'aplomb avant à la même hauteur. Placer les roues arrière à la position requise déterminée à partir du "Tableau de réglage de la hauteur du lave-vaisselle".

REMARQUE : Si la hauteur libre minimale de l'ouverture d'encastrement de l'armoire est inférieure à 34" (864 mm), on peut enlever les roulettes arrière pour obtenir un dégagement supplémentaire.

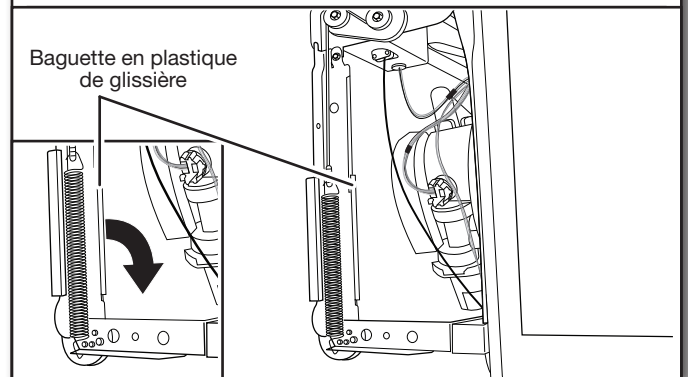
On pourra ainsi installer le lave-vaisselle dans une ouverture d'encastrement d'armoire élevée de 33¹/₂" (851 mm), mais il sera plus difficile de déplacer le lave-vaisselle. Les mesures ne sont pas exactes.

12. Réglage des roues et pieds



Consulter le "Tableau de réglage de la hauteur du lave-vaisselle" pour la position des roulettes et la position et la hauteur des pieds avant requise pour la hauteur de l'ouverture de l'armoire.

13. Enlever la baguette en plastique de la glissière (seulement sur certains modèles)

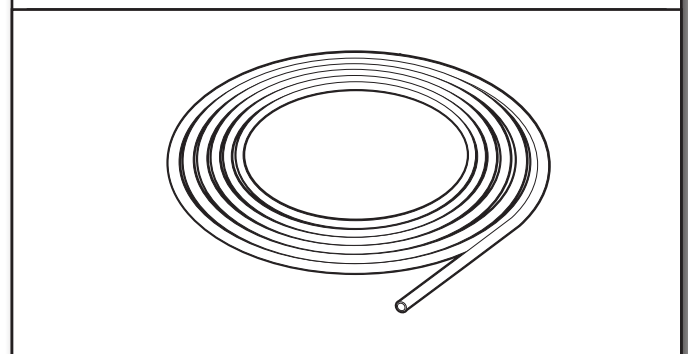


Enlever et jeter la baguette en plastique de glissière de chaque côté du châssis du lave-vaisselle. Pour retirer la baguette en plastique de glissière, la pousser vers le haut puis vers l'arrière et la déboîter du châssis du lave-vaisselle.

BRANCHEMENT DE L'ARRIVÉE D'EAU À LA VALVE DE DISTRIBUTION

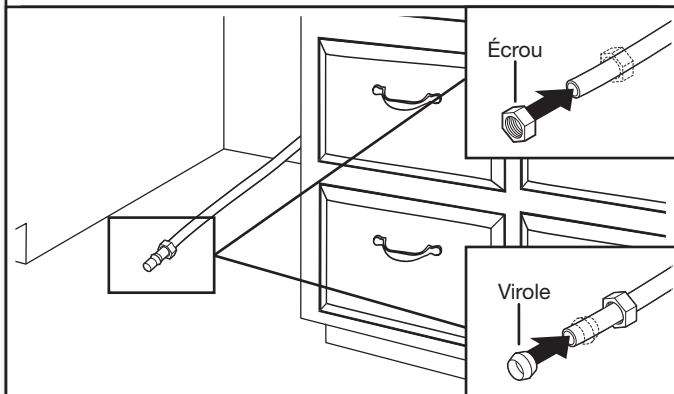
- Pour un tuyau en cuivre, commencer à l'étape 14
- Pour un tuyau flexible, commencer à l'étape 16

14. Canalisation d'eau en cuivre



Si l'on utilise un tuyau en cuivre, mesurer la longueur de tuyau en cuivre nécessaire pour atteindre l'alimentation en eau, couper à cette longueur et fixer les raccords de compression.

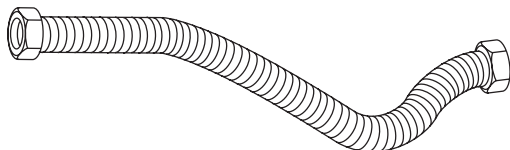
15. Enfiler l'écrou et la virole sur le tuyau (tuyau de cuivre uniquement)



Canalisation en cuivre uniquement : Insérer la canalisation dans le raccord coudé de 90° aussi loin que possible. La canalisation en cuivre se plie et s'écrase facilement. Faire glisser l'écrou et la virole vers l'avant et engager l'écrou sur le filetage du raccord coudé.

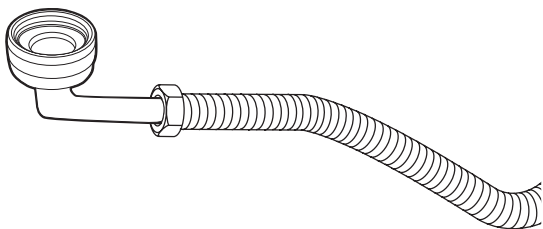
REMARQUE : Pour réduire les vibrations durant le fonctionnement, acheminer la canalisation d'alimentation en eau de telle manière qu'elle ne touche pas la base, le châssis ou le moteur de l'appareil. Passer à l'étape 17.

16. Tuyau flexible



Tuyau flexible à tresse d'acier : Vérifier que le tuyau flexible à tresse d'acier est suffisamment long. Voir la section "Outils et pièces" sur la couverture du guide pour des détails sur les pièces et pour commander.

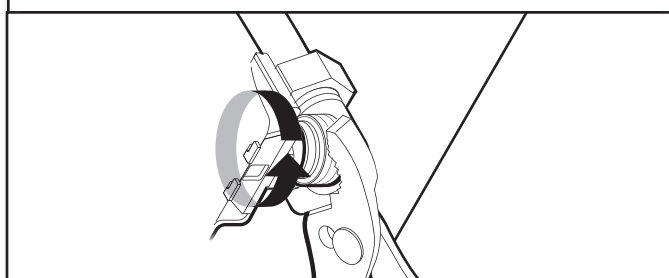
17. Raccorder le raccord coudé de 90° à la canalisation d'alimentation en eau



Prendre le raccord de tuyau coudé à 90° de $\frac{3}{8}$ " x $\frac{3}{4}$ ". Voir la section "Outils et pièces" sur la couverture du guide pour des détails sur les pièces et pour commander. Brancher le raccord de tuyau coudé à 90° de $\frac{3}{8}$ " à l'arrivée d'eau. Le fixer de façon à ce que le raccord de $\frac{3}{4}$ " soit orienté vers le haut, tel qu'illustré ci-dessus.

BRANCHEMENT DU TUYAU DE DISTRIBUTION À LA VALVE DE DISTRIBUTION

18. Raccorder le raccord coudé de 90° à la valve



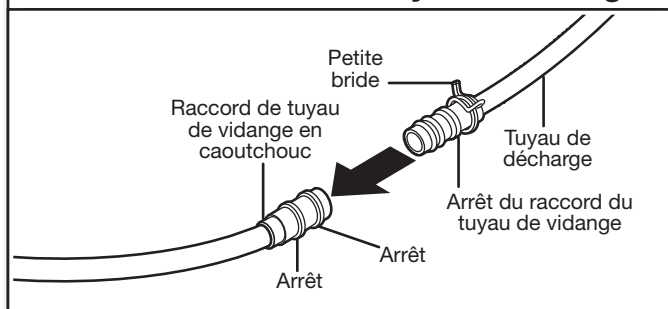
S'assurer que la rondelle de caoutchouc est correctement installée dans le raccord. Enfiler le raccord de $\frac{3}{4}$ " du coude à 90° jusqu'au robinet et serrer à la main pour éviter de visser de travers. Serrer à la main jusqu'à ce que le raccord soit serré. À l'aide d'une pince, vérifier l'étanchéité du raccord. Un serrage supplémentaire de $\frac{1}{4}$ à $\frac{1}{2}$ tour peut être nécessaire pour sceller le joint d'étanchéité en caoutchouc. Passer le tuyau par le côté arrière gauche de l'unité.

REMARQUES :

- Ne pas utiliser de ruban adhésif Teflon^{®†} avec les raccords de compression.
- Ne pas serrer excessivement. Le raccord risque d'être endommagé.

RACCORD DU TUYAU DE VIDANGE

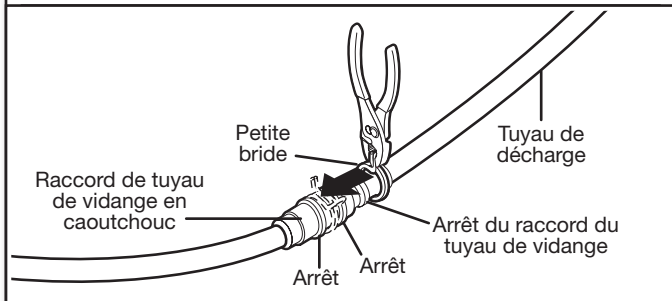
19. Raccordement du tuyau de vidange



Placer une serviette sous le tuyau d'évacuation pour récupérer l'eau restée dans le tuyau d'évacuation. Placer la petite bride (verte) pour tuyau d'évacuation sur la petite extrémité du tuyau d'évacuation. Enfoncer le tuyau d'évacuation neuf dans le connecteur de tuyau d'évacuation en caoutchouc jusqu'à la butée d'arrêt du tuyau d'évacuation.

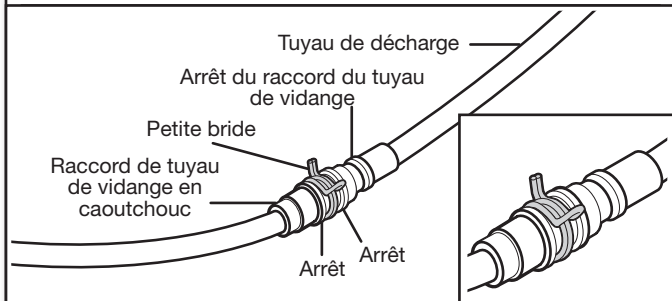
† *TEFLON est une marque déposée de Chemours..

20. Glisser la bride dans le connecteur



À l'aide d'une pince, ouvrir la petite bride de tuyau d'évacuation en la serrant et la glisser sur le connecteur, entre les butées.

21. Position finale de la bride de tuyau

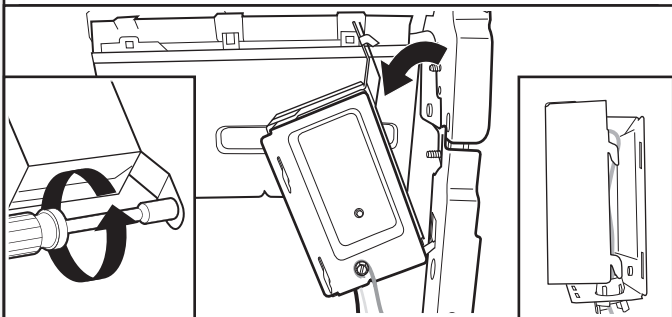


REMARQUE : Passer le tuyau de vidange par l'arrière du lave-vaisselle.

BRANCHEMENT DU CÂBLE ÉLECTRIQUE

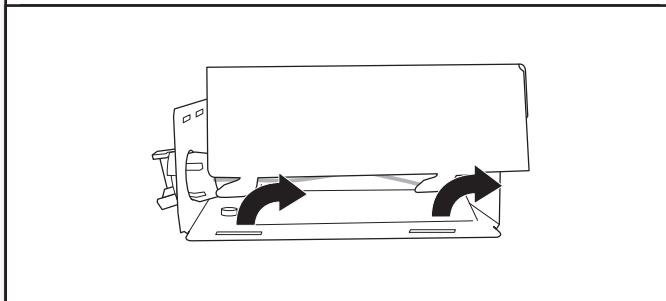
REMARQUE : Si un vieux lave-vaisselle avec cordon d'alimentation est enlevé, il faudra transférer ce cordon d'alimentation au nouveau lave-vaisselle.

22. Retirer la boîte de connexion



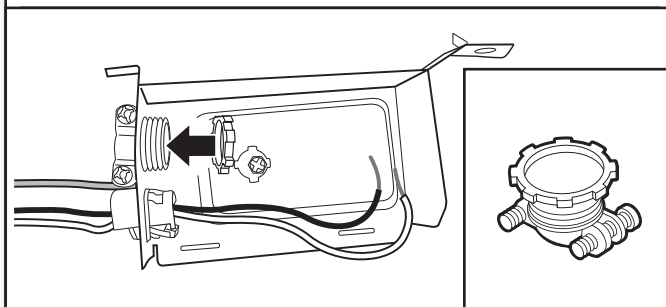
À l'aide d'un tourne-écrou de 1/4" ou d'une clé à douille hexagonale de 1/4", retirer la vis maintenant le boîtier de connexion sur l'entretoise. Ensuite, incliner le boîtier de connexion, dégager la languette et sortir le boîtier de connexion de la grille transversale.

23. Ôter le couvercle



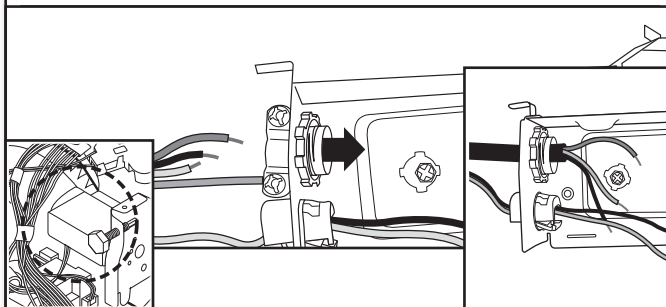
Retirer le couvercle en le faisant coulisser vers le haut et en dégageant ses crochets hors de l'encoche. Conserver le couvercle pour utilisation ultérieure.

24. Installation du serre-câbles



Installer un serre-câbles métallique (homologation UL ou CSA). S'assurer que les têtes de vis soient orientées vers le haut lors du serrage de l'écrou à conduit. Un serre-câbles est fourni dans l'ensemble du cordon d'alimentation. Voir la section "Outils et pièces" sur la couverture du guide pour des détails sur les pièces et pour commander.

25. Cordon d'alimentation – acheminement du cordon dans la boîte de connexion



Acheminer le cordon d'alimentation de façon à ce qu'il ne touche ni le moteur du lave-vaisselle ni la partie inférieure de la cuve du lave-vaisselle. Tirer le câble pour le faire passer à travers le serre-câbles dans le boîtier de connexion.

REMARQUE : Un maximum de 2 câbles d'alimentation (calibre 12 AWG maximum) plus 1 conducteur de mise à la terre est autorisé dans le boîtier de connexion.

⚠ AVERTISSEMENT



Risque de choc électrique

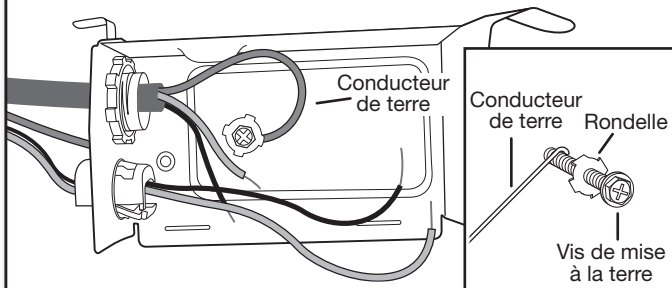
Relier le lave-vaisselle à la terre d'une méthode électrique.

Brancher le fil relié à la terre au connecteur vert relié à la terre dans la boîte de la borne.

Ne pas utiliser un câble de rallonge.

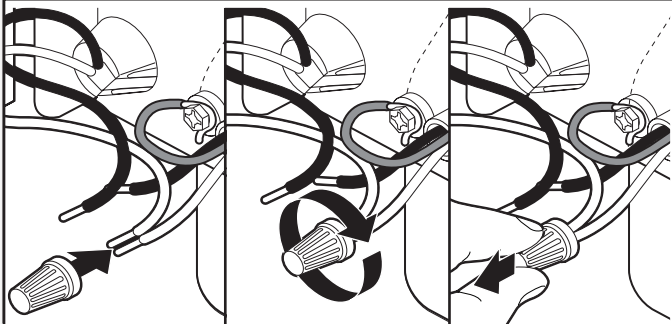
Le non-respect de ces instructions peut causer un décès, un incendie ou un choc électrique.

26. Cordon d'alimentation – branchement du conducteur de terre



Retirer la vis de liaison à la terre du plancher surélevé à l'intérieur du boîtier et la placer à travers la borne en anneau de la vis verte de mise à la terre du cordon d'alimentation. Réattacher et serrer la vis de liaison à la terre sur le plancher surélevé du boîtier.

27. Cordon d'alimentation – branchement des autres conducteurs



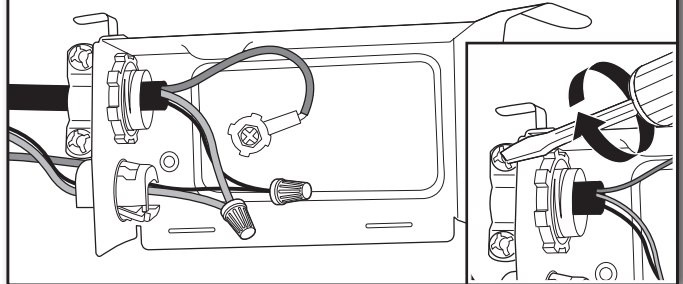
Sélectionner des connecteurs de fils (homologation UL ou CSA) de la taille correcte. Voir la section "Outils et pièces" sur la couverture du guide pour des détails sur les pièces. Connecter le conducteur noir avec le noir et le conducteur blanc avec le blanc à l'aide des connecteurs de fils.

REMARQUE : Ne pas pré-torsader les brins de conducteurs. Installer le connecteur de fils en le faisant pivoter. Tirer doucement sur les conducteurs pour vérifier qu'ils sont bien fixés.

Configuration de câblage

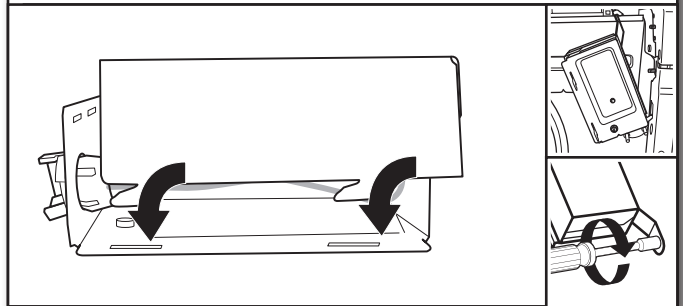
Câblage de l'alimentation électrique		Câblage du boîtier de connexion :
Blanc	←→	Blanc
Noir	←→	Noir
Conducteur de liaison à la terre	←→	Conducteur de liaison à la terre

28. Cordon d'alimentation – fixation du cordon à l'aide du serre-câbles



Resserrer les vis de serre-câbles pour fixer le cordon.

29. Cordon d'alimentation – réinstallation du couvercle de la boîte de connexion et des câbles



Placer les conducteurs à l'intérieur du boîtier de connexion. Remettre le couvercle en place en insérant les crochets du couvercle du boîtier de connexion dans les encoches du fond du boîtier de connexion, et en enfilaient le couvercle bien serré contre le mur arrière où passent les câbles. S'assurer que les câbles sont bien logés à l'intérieur du boîtier et ne sont pas coincés sous le couvercle.

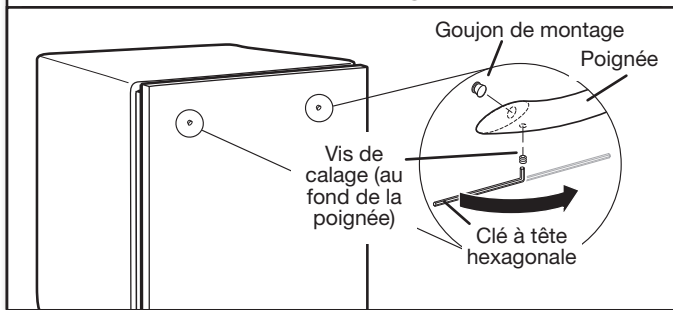
Réinstaller le boîtier de connexion sur la grille transversale avec la languette en place. À l'aide d'un tourne-écrou de 1/4" et de la vis précédemment ôtée, fixer le couvercle du boîtier de connexion sur la grille transversale.

Une fois le boîtier de connexion réinstallé sur le lave-vaisselle, glisser tout excès sur les composants situées à proximité ou l'agrafer à l'aide des agrafes situées à proximité pour aider à le maintenir loin du sol.

REMARQUE : Passer le cordon d'alimentation par l'arrière du lave-vaisselle. Ne pas brancher le cordon dans une prise avant d'en avoir reçu l'instruction.

INSTALLATION DE LA POIGNÉE DE PORTE (SUR CERTAINS MODÈLES)

30. Installation de la poignée de porte



IMPORTANT : Ne pas érafler le panneau avant au cours de ce processus. Si le panneau de porte est muni d'une pellicule de protection, l'enlever jusqu'au point de fixation de la poignée avant d'installer cette dernière. La poignée est plus facile à installer lorsque l'unité est sur le dos.

Retirer les poignées de porte et la clé à tête hexagonale de leur emballage. Des vis de blocage sont pré-installées sur la poignée. Placer la poignée sur les poteaux de colombage avec les vis de blocage orientées vers le bas. Pousser la poignée de porte fermement en appui contre la porte. Insérer le côté court de la clé à tête hexagonale dans les vis de blocage. Serrer les vis de $\frac{1}{4}$ de tour au-delà de la butée.

Conserver la clé à tête hexagonale avec les instructions d'installation.

PLACER LE LAVE-VAISSELLE DANS L'ARMOIRE

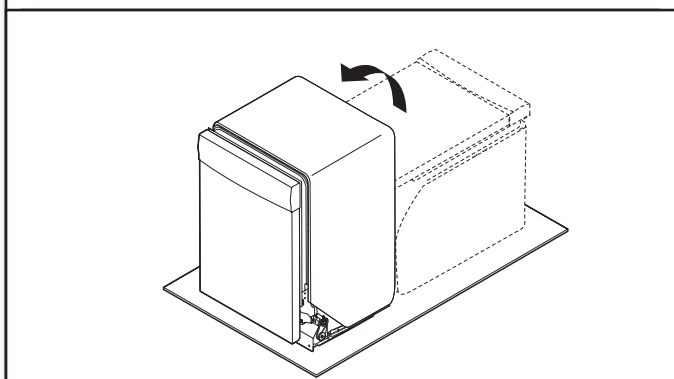
⚠ AVERTISSEMENT

Risque du poids excessif

Utiliser deux personnes ou plus pour déplacer et installer le lave-vaisselle.

Le non-respect de cette instruction peut causer une blessure au dos ou d'autre blessure.

31. Redresser le lave-vaisselle



À l'aide d'au moins 2 personnes, mettre le lave-vaisselle en position verticale.

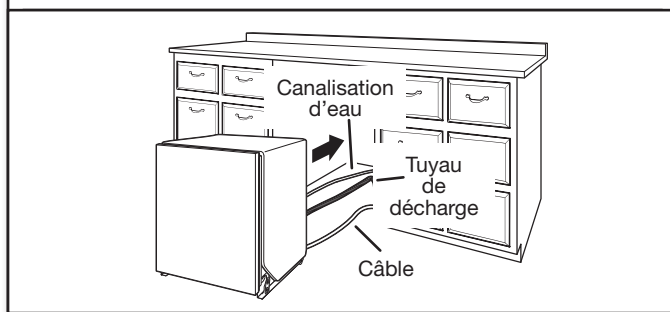
REMARQUE : Ne pas installer le garde-pieds avant d'avoir reçu l'instruction.

IMPORTANT : Si on enlève les roulettes, couvrir le plancher lors des déplacements du lave-vaisselle. Insérer lentement et complètement le lave-vaisselle dans l'ouverture d'encastrement de l'armoire. Veiller à ne pas coincer la canalisation de cuivre, le tuyau d'évacuation, le cordon d'alimentation ou le câble de raccordement direct entre le lave-vaisselle et l'armoire. Enlever la feuille de carton placée sous le lave-vaisselle.

Le fait qu'il n'y ait que peu d'espace entre le lave-vaisselle et l'ouverture d'encastrement de l'armoire ne pose pas de problème. Ne pas enlever la plaque d'insonorisation – celle-ci réduit le niveau sonore.

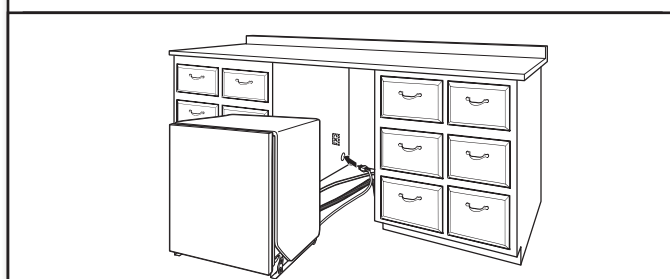
REMARQUE : Passer l'arrivée d'eau, le tuyau de vidange et le cordon d'alimentation par l'arrière du lave-vaisselle.

32. Déplacer le lave-vaisselle près de l'ouverture d'encastrement



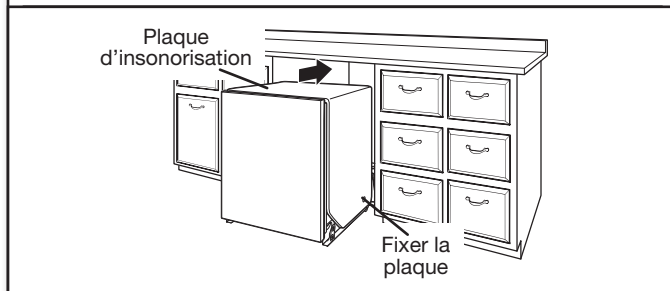
Passer les raccordements par les trous du cabinet et tirer l'excédent en même temps que le lave-vaisselle est positionné dans son espace.

33. Acheminement du cordon d'alimentation



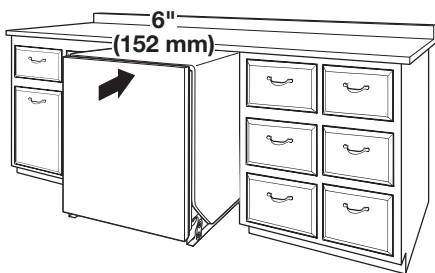
En cas d'utilisation d'un cordon d'alimentation, veiller à acheminer l'extrémité de celui-ci dans le trou de l'ouverture découpée avant de pousser le lave-vaisselle à sa place.

34. Fixer la plaque d'insonorisation



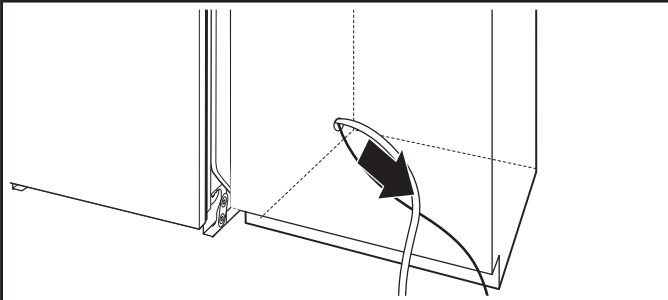
REMARQUE : S'assurer que l'insonorisation est bien fixée aux coins arrière gauche et droit avant de pousser le lave-vaisselle en place pour qu'elle ne s'entasse pas lorsque l'espace est restreint.

35. Insérer le lave-vaisselle en laissant 6" (152 mm) dépasser de l'avant des armoires



REMARQUE : Laisser sorti d'environ 6" (152 mm) de l'armoire pour permettre l'installation des brides d'ancrage et régler la tension de porte au besoin.

36. Tirer l'excédent des raccordements



REMARQUE : Tirer l'excédent en même temps que le lave-vaisselle est poussé en place dans son ouverture pour éviter la formation de coudes.

INSTALLATION DU PANNEAU PERSONNALISÉ

(MODÈLES À PANNEAU PERSONNALISÉ UNIQUEMENT)

Pour l'installation du panneau personnalisé, consulter les instructions d'installation du panneau personnalisé (numéro de pièce W10750117A). Terminer l'installation du panneau personnalisé avant de passer à la section "Choix de l'option de fixation".

CHOIX DE L'OPTION DE FIXATION

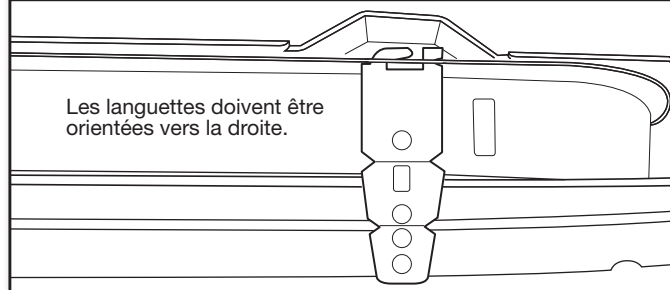
IMPORTANT : Le lave-vaisselle doit être fixé à l'armoire lors de l'une des étapes finales. Préparer le lave-vaisselle pour cette opération en y fixant les deux attaches placées dans le sachet de pièces.

- Pour une surface de travail en bois, stratifiée ou une autre surface semblable, utiliser les fixations pour plan de travail : passer à l'étape 37.
- Pour une surface de travail en marbre, granite ou une autre surface semblable, utiliser les fixations pour les côtés : passer à l'étape 38.

REMARQUE : Si l'espace entre le haut de la porte et le dessous du plan de travail est petit (moins de 1/4" [6,35 mm]), il est suggéré d'utiliser les fixations de côtés pour éviter de rayer l'interface utilisateur ou la console avec les vis de fixation.

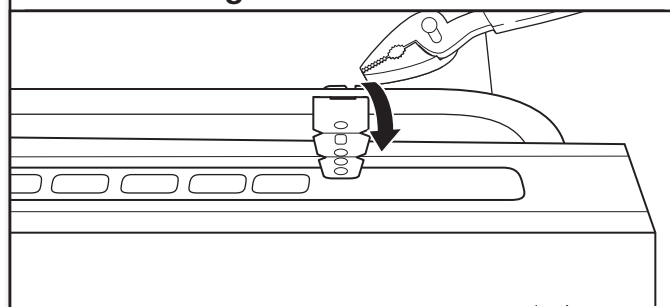
Fixation à la surface de travail :

37. Insérer les brides



Retirer les brides de l'emballage et les insérer dans les fentes ouvertes sur les côtés supérieurs droit et gauche du collet du lave-vaisselle, comme indiqué. Passer à l'étape 41.

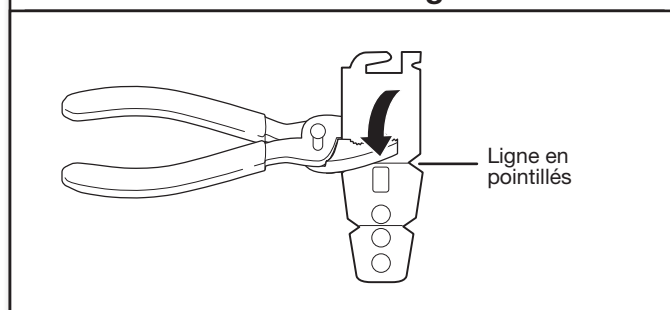
Plier les languettes



À l'aide des pinces, plier/tordre la languette pour verrouiller les brides en place.

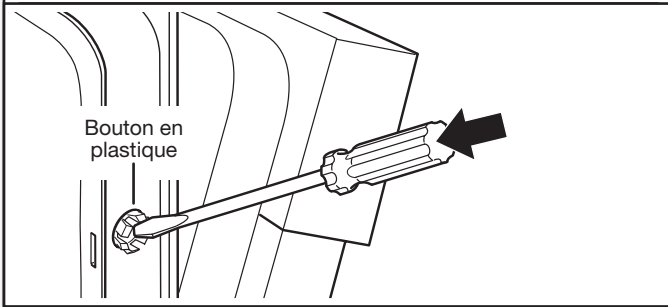
Fixation sur les côtés :

38. Briser le bout des languettes



Briser l'extrémité de la bride le long des pointillés à l'aide de pinces.

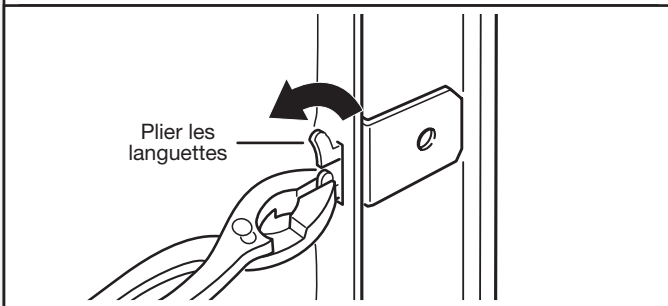
39. Retirer les boutons en plastique



Pousser sur les boutons en plastique pour les extraire du côté de la cuve.

REMARQUE : Conserver les boutons à part pour recouvrir les trous une fois le lave-vaisselle installé.

40. Installation des brides



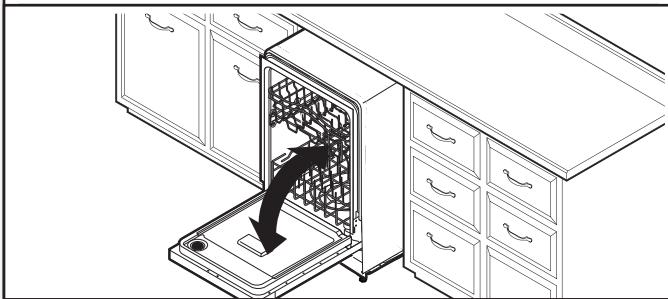
Enfoncer la bride dans la fente sur le côté du lave-vaisselle et replier la languette vers le côté du lave-vaisselle afin de maintenir la bride en place. Répéter cette étape pour l'autre côté du lave-vaisselle.

REMARQUE : Utiliser des cales en bois si l'espace entre les côtés de l'armoire et du lave-vaisselle est supérieur à 1/2" (13 mm) de chaque côté.

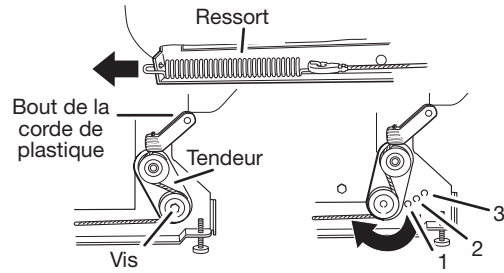
REMARQUE : Ne pas fixer le lave-vaisselle. Ceci sera fait ultérieurement.

VÉRIFICATION FINALE DE L'INSTALLATION

41. Ouvrir et fermer la porte



42. Régler le ressort de tension de la porte



Si la porte se referme trop rapidement ou tombe ouverte, régler le ressort de tension.

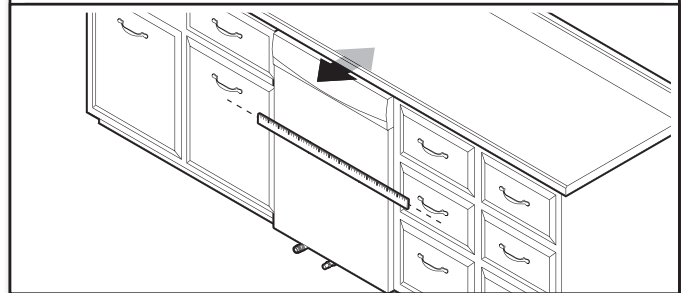
Pour régler le ressort de tension de la porte, retirer le bout de la corde en plastique blanc fixé à la charnière de la porte. À l'aide d'un tourne-écrou ou d'une clé à douille de 5/16", ôter la vis du tendeur. La vis peut être placée dans l'un des trois trous (1, 2, 3), dans le pied avant du lave-vaisselle.

Si la porte se referme toute seule : Déplacer le tendeur vers un trou au plus gros chiffre et replacer la vis. Replacer la corde de plastique blanc sur la charnière de la porte.

Si la porte s'ouvre toute seule : Déplacer le tendeur vers un trou au plus petit chiffre et replacer la vis. Replacer la corde de plastique blanc sur la charnière de la porte.

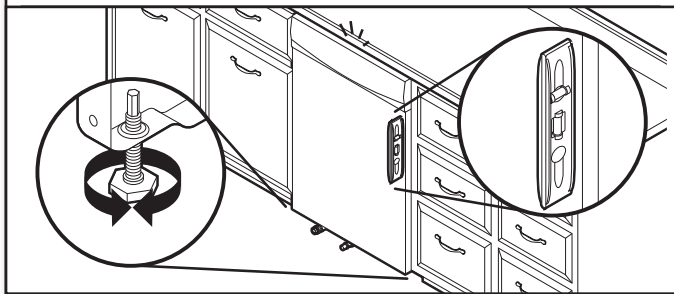
REMARQUE : Les tendeurs des deux côtés du lave-vaisselle doivent être fixés aux mêmes trous.

43. Aligner l'avant du lave-vaisselle avec les portes des armoires



Aligner l'avant du panneau de porte du lave-vaisselle avec les portes des armoires. Il faudra peut-être ajuster l'alignement de celui-ci pour qu'il soit en affleurement avec les armoires.

44. Vérifier l'aplomb et régler les pieds au besoin

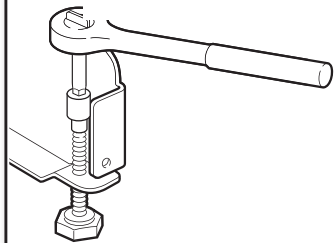


Vérifier que chaque pied de réglage de l'aplomb est fermement en appui sur le sol. Fermer et verrouiller la porte; placer un niveau contre le panneau avant. Vérifier que le lave-vaisselle est centré de l'avant vers l'arrière dans l'ouverture. Si nécessaire, régler le pied de nivellement jusqu'à ce que le lave-vaisselle soit d'aplomb. Répéter ces opérations pour l'autre côté du lave-vaisselle.

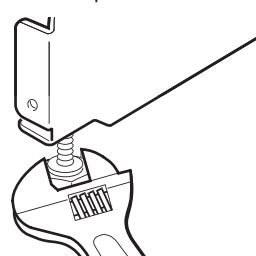
Conseil utile : Pousser contre l'avant du lave-vaisselle pour le soulever et pouvoir ajuster les pieds avant. Pour certaines installations, il peut être plus facile de régler le pied avant à l'aide d'une clé à douille hexagonale ou une clé à molette de $\frac{3}{16}$ ". Si l'espace entre le haut de la porte et le dessous du plan de travail est petit (moins de $\frac{1}{4}$ " [6,35 mm]), il est suggéré d'utiliser les fixations de côtés pour éviter de rayer l'interface utilisateur ou la console.

Pieds de réglage de l'aplomb

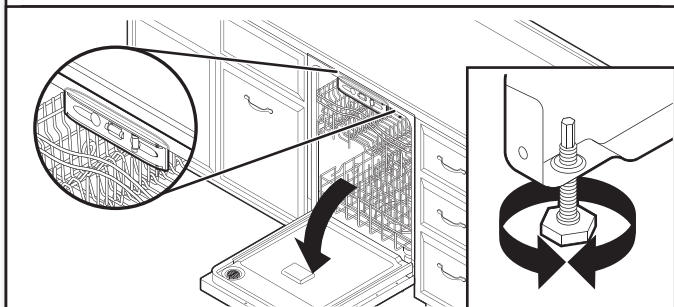
Méthode souhaitée



Méthode optionnelle



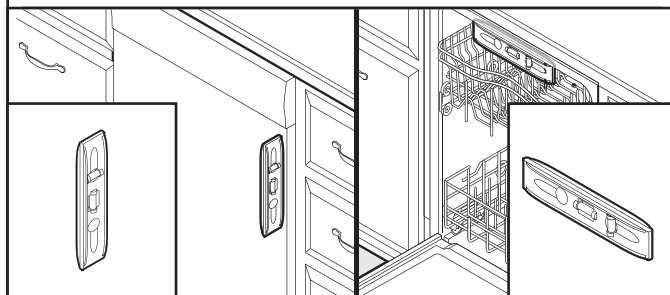
45. Vérifier l'aplomb transversal et régler les pieds au besoin



Placer le niveau contre la partie supérieure de l'ouverture avant de la cuve. Vérifier l'aplomb transversal de l'appareil. Si le lave-vaisselle n'est pas d'aplomb, régler la hauteur des pieds avant vers le haut ou vers le bas jusqu'à ce que le lave-vaisselle soit d'aplomb.

FIXATION DU LAVE-VAISSELLE DANS L'OUVERTURE D'ENCASTREMENT DE L'ARMOIRE

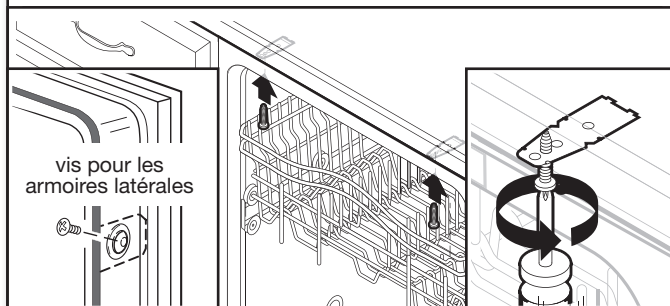
46. Vérifier de nouveau l'alignement du lave-vaisselle avec l'ouverture



Vérifier que le lave-vaisselle est toujours d'aplomb d'avant en arrière et transversalement dans l'ouverture d'encastrement de l'armoire.

Ouvrir la porte du lave-vaisselle, placer une serviette sur la pompe et le bras d'aspersion du lave-vaisselle. Ceci empêchera les vis de tomber dans la pompe lors de la fixation du lave-vaisselle à l'armoire.

47. Fixer le lave-vaisselle

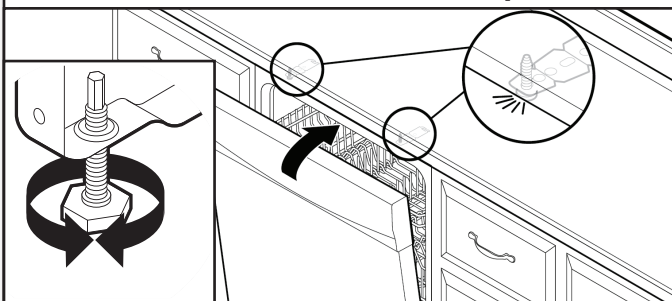


Ouvrir la porte du lave-vaisselle pour préparer la fixation de l'appareil à la surface de travail ou au côté de l'armoire.

REMARQUES :

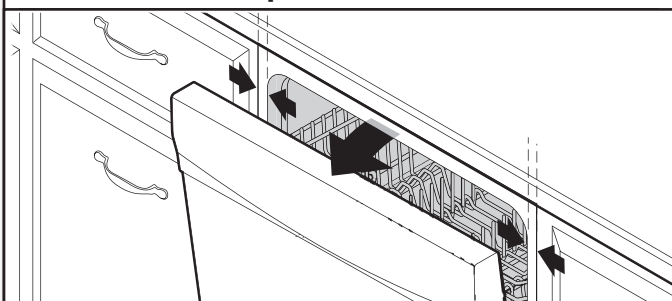
- Le lave-vaisselle doit être immobilisé pour l'empêcher de basculer lors de l'ouverture ou de la fermeture de la porte.
- Ne pas faire tomber de vis au fond du lave-vaisselle.
- Situer les brides fixées à la section "Choix de l'option de fixation", soit sur le dessus ou les côtés du lave-vaisselle.
- **Pour une fixation à la surface de travail :** Assujettir le lave-vaisselle sur le plan de travail ou sur les côtés des armoires avec deux vis Phillips n° 10 x $\frac{1}{2}$ ".
- **Pour une fixation sur les côtés :** Percer des avant-trous dans l'armoire pour éviter toute fente dans le bois. Assujettir le lave-vaisselle aux côtés avec deux vis Phillips n° 10 x $\frac{1}{2}$ ". Retirer le panier du haut pour faciliter l'accès. Consulter le Guide d'utilisation et d'entretien pour savoir comment enlever le panier supérieur.

48. Contrôler l'ouverture de la porte



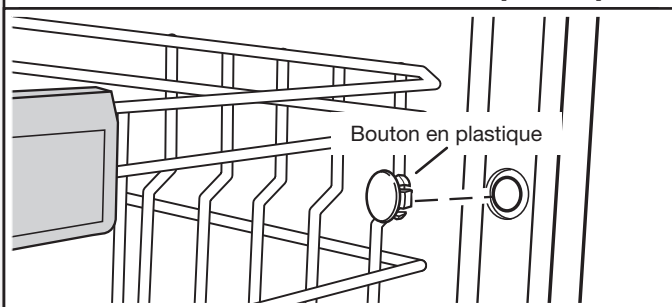
IMPORTANT : Vérifier qu'il n'y a aucun contact entre le sommet de la porte et les vis, les brides ou le plan de travail. Si un tel contact se produit, régler le niveau des pattes ou utiliser l'option de fixation sur les côtés.

49. Vérifier l'espace intérieur



Ouvrir la porte et vérifier que la distance entre l'ouverture de l'armoire pour l'installation du lave-vaisselle et la cuve est la même des deux côtés. Si l'espace n'est pas identique des deux côtés, desserrer les vis des brides d'arrimage et déplacer légèrement la cuve. Resserrer les vis de brides.

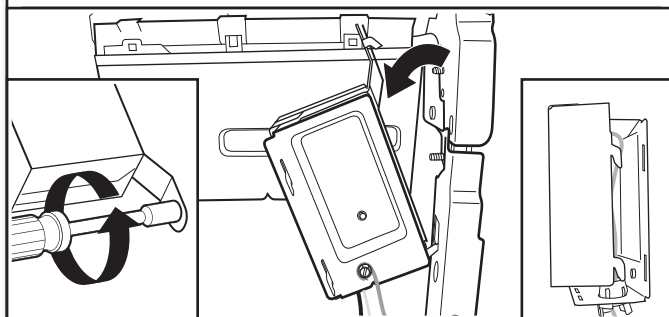
50. Réinstaller les boutons en plastique



Si le lave-vaisselle a été fixé par les côtés, réinstaller les boutons de plastique gris enlevés à l'étape 39 pour cacher les trous de vis.

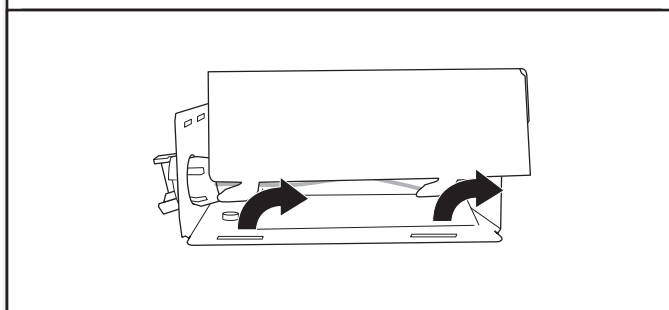
MÉTHODE DE RACCORDEMENT DIRECT

51. Retirer la boîte de connexion



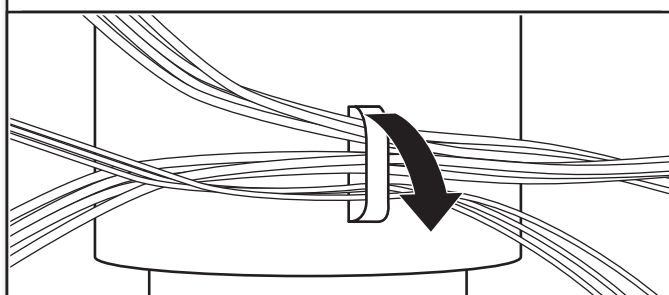
À l'aide d'un tourne-écrou de 1/4" ou d'une clé à douille hexagonale de 1/4", retirer la vis maintenant le boîtier de connexion sur l'entretoise. Ensuite, incliner le boîtier de connexion, dégager la languette et sortir le boîtier de connexion de la grille transversale.

52. Ôter le couvercle



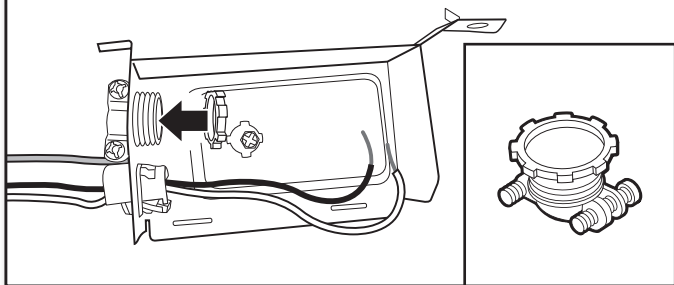
Retirer le couvercle en le faisant coulisser vers le haut et en dégageant ses crochets hors des encoches. Conserver le couvercle pour utilisation ultérieure.

53. Débrancher les câbles vert, blanc, et noir



Il devrait y avoir suffisamment de longueurs de câble pour tirer la boîte de connexion de sous le lave-vaisselle. Retirer les câbles des agrafes les plus proches ou des composants pour en augmenter la longueur et en faciliter l'accès.

54. Installation du serre-câbles



Installer un serre-câbles métallique (homologation UL ou CSA). Voir la section "Outils et pièces" sur la couverture du guide pour des détails sur les pièces et pour commander.

⚠ AVERTISSEMENT



Risque de choc électrique

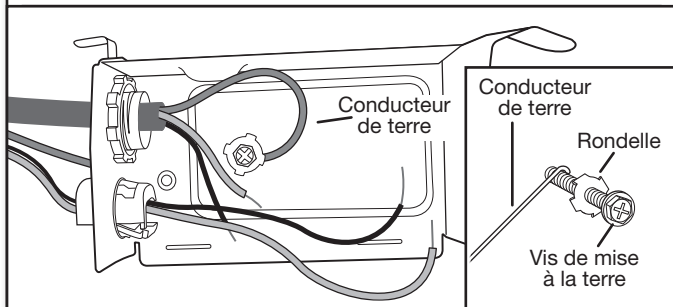
Relier le lave-vaisselle à la terre d'une méthode électrique.

Brancher le fil relié à la terre au connecteur vert relié à la terre dans la boîte de la borne.

Ne pas utiliser un câble de rallonge.

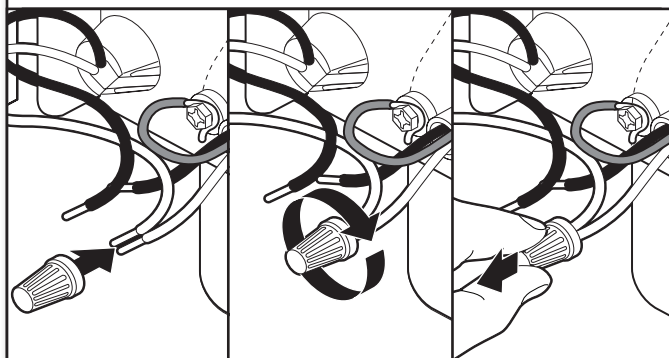
Le non-respect de ces instructions peut causer un décès, un incendie ou un choc électrique.

55. Raccordement direct – branchement du conducteur de terre



Former un crochet en U avec le conducteur nu de liaison à la terre. Enrouler le crochet du conducteur de liaison à la terre sur la vis de liaison à la terre sur le plancher surélevé à l'intérieur de la boîte et sous le lave-vaisselle (dans le sens horaire). Serrer fermement le connecteur de liaison à la terre.

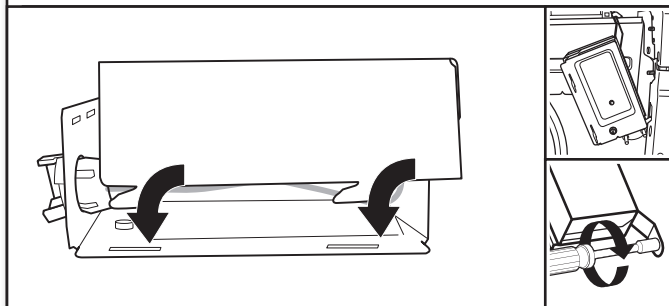
56. Raccordement direct – branchement des autres conducteurs



Sélectionner des connecteurs de fils (homologation UL ou CSA) de la taille correcte. Voir la section "Outils et pièces" sur la couverture du guide pour des détails sur les pièces. Connecter le conducteur noir avec le noir et le conducteur blanc avec le blanc à l'aide des connecteurs de fils.

REMARQUE : Ne pas prétorsader les brins de conducteurs. Installer le connecteur de fils en le faisant pivoter. Tirer doucement sur les conducteurs pour vérifier qu'ils sont bien fixés.

57. Raccordement direct – réinstallation du couvercle de la boîte de connexion et des câbles



Placer les conducteurs à l'intérieur du boîtier de connexion. Remettre le couvercle en place en insérant les crochets du couvercle du boîtier de connexion dans les encoches du fond du boîtier de connexion, et en enfilant le couvercle bien serré contre le mur arrière où passent les câbles. S'assurer que les câbles sont bien logés à l'intérieur du boîtier et ne sont pas coincés sous le couvercle.

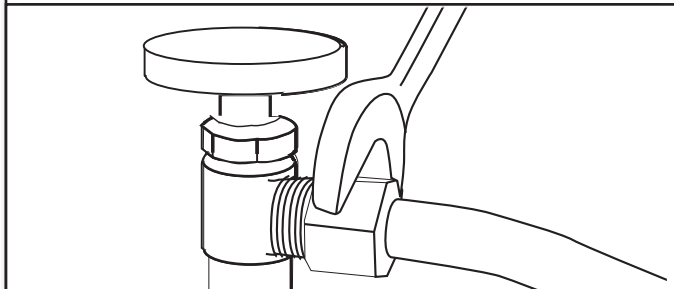
Réinstaller le boîtier de connexion sur la grille transversale avec la languette en place. À l'aide d'un tourne-écrou de 1/4" et de la vis ôtée à l'étape 51, fixer le couvercle du boîtier de connexion sur la grille transversale.

Une fois le boîtier de connexion réinstallé sur le lave-vaisselle, glisser tout excès sur les composantes situées à proximité ou l'agrafer à l'aide des agrafes situées à proximité pour aider à le maintenir loin du sol.

BRANCHEMENT DE L'ARRIVÉE D'EAU AU ROBINET D'ARRÊT DE LA MAISON

REMARQUE : Si l'on utilise un tuyau flexible tressé, remplacer le tuyau d'alimentation après 5 ans d'utilisation pour réduire le risque de défaillance du tuyau. Inscrive la date d'installation ou de remplacement du tuyau sur celui-ci, pour référence ultérieure.

58. Fixer la canalisation d'alimentation en eau



Fixer la canalisation d'alimentation en eau (tube de cuivre ou canalisation flexible à tresse d'acier) à la canalisation d'eau chaude à l'aide d'une configuration de raccordement qui soit conforme à tous les codes et règlements locaux. La canalisation d'alimentation en eau raccordée au lave-vaisselle doit comporter un robinet d'arrêt manuel situé sous l'évier.

RACCORDEMENT DU TUYAU DE VIDANGE

59. Raccordement du tuyau de vidange

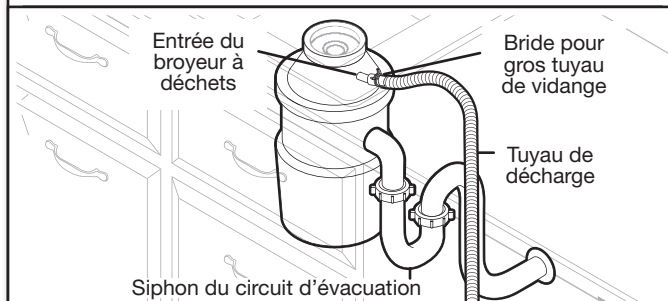
Employer l'une des options suivantes pour raccorder le tuyau d'évacuation sur un raccord T ou sur un broyeur à déchets.

- Option A : Broyeur de déchets – sans brise-siphon
- Option B : Sans broyeur de déchets – sans brise-siphon
- Option C : Broyeur de déchets – avec brise-siphon
- Option D : Sans broyeur de déchets – avec brise-siphon

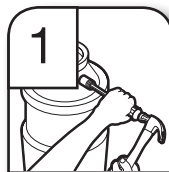
IMPORTANT : Le raccordement du tuyau d'évacuation à la canalisation d'égout en T ou au raccord de broyeur à déchets doit être réalisé en amont du siphon du circuit d'évacuation et à au moins 20" (508 mm) au-dessus du plancher de l'espace d'installation du lave-vaisselle.

Conseil utile : Afin de minimiser les vibrations du tuyau, le tenir à distance du plancher.

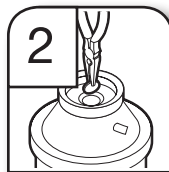
Option A : Broyeur de déchets – sans brise-siphon



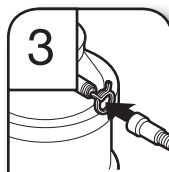
Conseil utile : Ôter l'opercule escamotable du broyeur à déchets.



1. À l'aide d'un marteau et d'un tournevis, enfonce le bouchon d'obturation dans le broyeur à déchets.

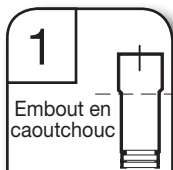
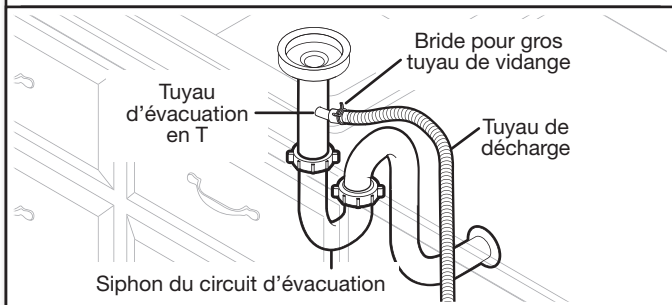


2. Retirer le bouchon d'obturation à l'aide de pinces à bec fin.



3. Fixer le tuyau d'évacuation sur le raccord de broyeur à déchets à l'aide de la grosse bride de tuyau d'évacuation (fournie). À l'aide de pinces, serrer la bride pour l'ouvrir et la mettre en position.

Option B : Sans broyeur de déchets – sans brise-siphon



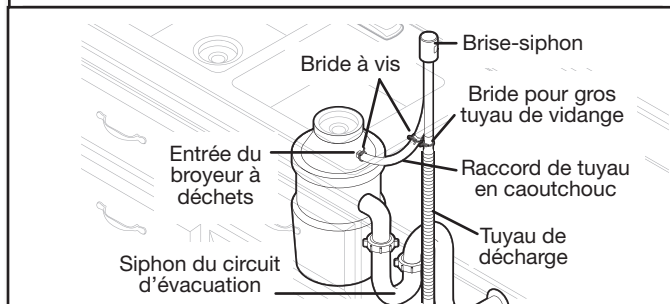
1. Raccorder l'extrémité en caoutchouc du tuyau d'évacuation à la canalisation d'égout en T et couper si nécessaire.

REMARQUE : Ne pas couper la section ondulée.



2. Fixer l'extrémité du tuyau d'évacuation en caoutchouc à la canalisation d'égout en T à l'aide d'une grosse bride pour tuyau d'évacuation (fournie). À l'aide de pinces, serrer la bride pour l'ouvrir et la mettre en position. Si le tuyau d'évacuation a été coupé, utiliser une bride à vis de 1 1/2 à 2" (38 à 50 mm) (non fournie).

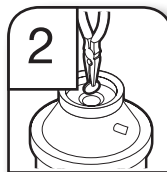
Option C : Broyeur de déchets – avec brise-siphon



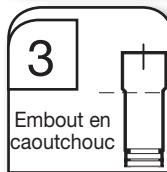
Conseil utile : Ôter l'opercule escamotable du broyeur à déchets.



1. À l'aide d'un marteau et d'un tournevis, enfoncer le bouchon d'obturation dans le broyeur à déchets.

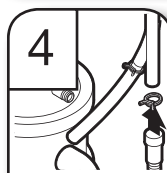


2. Retirer le bouchon d'obturation à l'aide de pinces à bec fin.

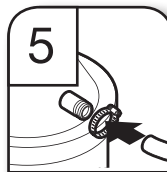


3. Raccorder l'extrémité en caoutchouc du tuyau d'évacuation au dispositif de brise-siphon et couper si nécessaire.

REMARQUE : Ne pas couper la section ondulée.

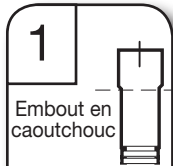
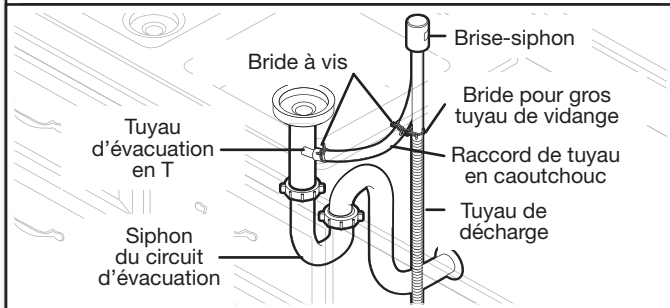


4. Fixer le tuyau d'évacuation sur le dispositif de brise-siphon à l'aide de la grosse bride de tuyau d'évacuation (fournie). À l'aide de pinces, serrer la bride pour l'ouvrir et la mettre en position. Si le tuyau d'évacuation a été coupé, utiliser une bride à vis de 1 1/2 à 2" (38 à 50 mm) (non fournie).



5. Utiliser un tuyau en caoutchouc (non fourni) et une bride à vis (non fournie) pour le raccordement du dispositif de brise-siphon à l'entrée du broyeur à déchets.

Option D : Sans broyeur de déchets – avec brise-siphon

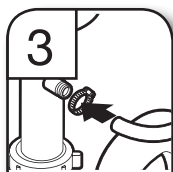


1. Raccorder l'extrémité en caoutchouc du tuyau d'évacuation au dispositif de brise-siphon et couper si nécessaire.

REMARQUE : Ne pas couper la section ondulée.



2. Fixer le tuyau d'évacuation sur le dispositif de brise-siphon à l'aide de la grosse bride de tuyau d'évacuation (fournie). À l'aide de pinces, serrer la bride pour l'ouvrir et la mettre en position. Si le tuyau d'évacuation a été coupé, utiliser une bride à vis de 1/2 2" (38 à 50 mm) (non fournie).



3. Utiliser un tuyau en caoutchouc (non fourni) et une bride à vis (non fournie) pour le raccordement de la canalisation d'égout en T au dispositif de brise-siphon.

TERMINER L'INSTALLATION

Vérifier l'absence de tout contact entre le fil ou le cordon d'alimentation et le moteur du lave-vaisselle ou la partie inférieure de la cuve du lave-vaisselle.

⚠ AVERTISSEMENT



Risque de choc électrique

Brancher sur une prise à 3 alvéoles reliée à la terre.

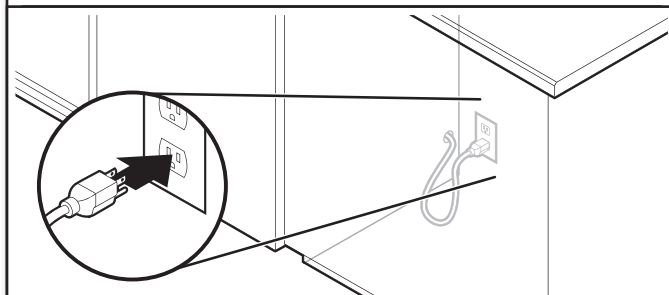
Ne pas enlever la broche de liaison à la terre.

Ne pas utiliser un adaptateur.

Ne pas utiliser un câble de rallonge.

Le non-respect de ces instructions peut causer un décès, un incendie ou un choc électrique.

60. Cordon d'alimentation électrique – brancher dans une prise à trois alvéoles reliée à la terre



Brancher l'appareil sur une prise 3 alvéoles reliée à la terre.

61. Reconnecter la source de courant électrique

Reconnecter l'alimentation électrique de la boîte de fusibles (fusible ou disjoncteur).

REMARQUE : Avec le panneau d'accès fermé, mettre le lave-vaisselle en marche et le laisser effectuer complètement le programme de lavage le plus court. Après les deux premières minutes, déverrouiller la porte; attendre cinq secondes, puis ouvrir la porte. Vérifier qu'il y a bien de l'eau au fond de la cuve du lave-vaisselle. Vérifier que le lave-vaisselle fonctionne correctement.

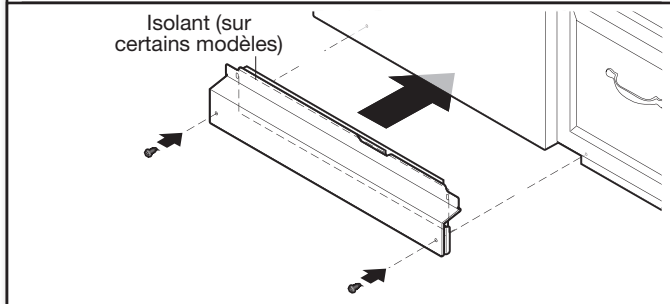
INSTALLATION DU PANNEAU D'ACCÈS

– Pour le plastique : Commencer à l'étape 62

– Pour le métal : Commencer à l'étape 65

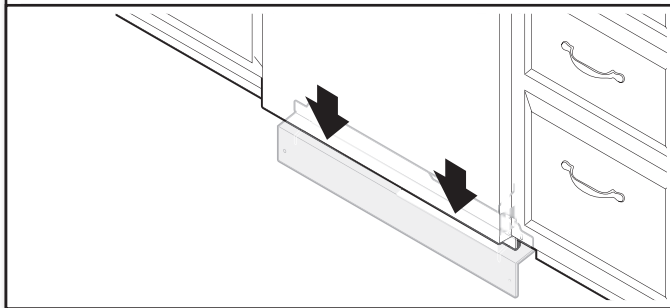
Panneau en plastique :

62. Réinstaller le panneau d'accès et les dispositifs de fixation



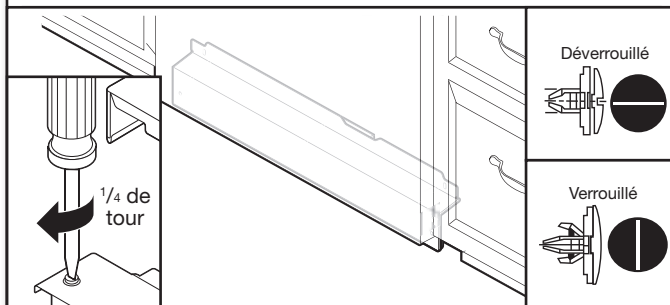
Placer le panneau d'accès en plastique contre le pied du lave-vaisselle. Vous assurer que l'isolant ne dérange pas le flotteur.

63. Inspecter le bord du panneau d'accès



Vérifier que la rive inférieure du panneau d'accès est au contact du plancher. La réajuster au besoin.

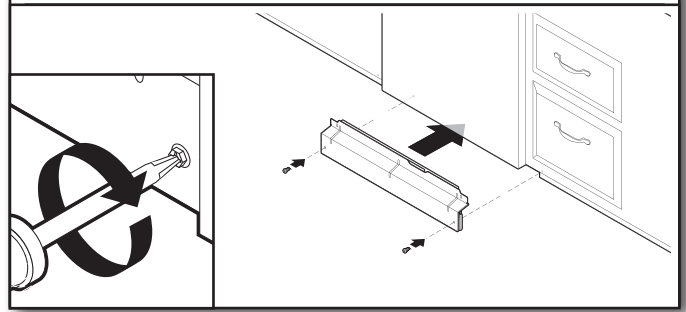
64. Serrer les dispositifs de fixation



À l'aide d'un tournevis à lame plate, tourner les dispositifs de fixation d'un quart de tour dans le sens horaire pour les emboîter. L'encoche des dispositifs de fixation est complètement à la verticale lorsqu'ils sont correctement emboîtés. Passer à l'étape 67.

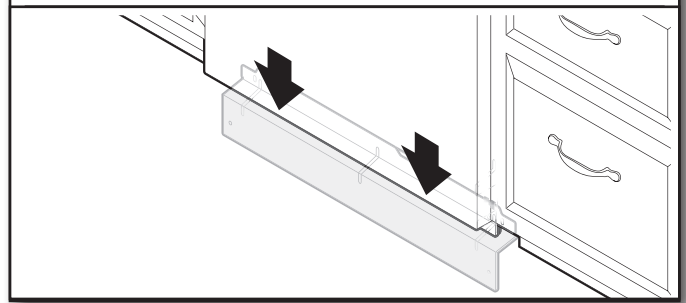
Panneau métallique :

65. Réinstaller les panneau d'accès



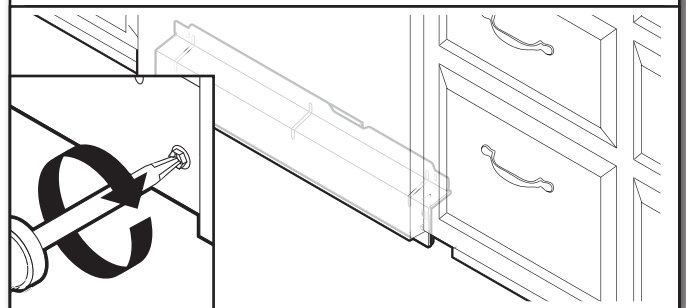
Placer le panneau contre le pied du lave-vaisselle. À l'aide d'un tournevis Phillips ou d'un tournevis de 1/4", réinstaller les vis à travers les trous du panneau d'accès.

66. Inspecter le bord inférieur du panneau d'accès



Vérifier que la rive inférieure du panneau d'accès est au contact du plancher. La réajuster au besoin.

67. Resserrer les vis



Serrer les vis du panneau d'accès.

CONTRÔLE DU FONCTIONNEMENT

- Lire le guide d'utilisation du lave-vaisselle compris avec le lave-vaisselle.
- Vérifier que toutes les pièces ont été installées et qu'aucune étape n'a été omise. Vérifier la présence de tous les outils.

Si le lave-vaisselle ne fonctionne pas correctement, déconnecter la source de courant électrique ou débrancher le lave-vaisselle et consulter la section "Si le lave-vaisselle ne fonctionne pas".

SI LE LAVE-VAISSELLE NE FONCTIONNE PAS

Essayer d'abord les solutions suggérées ici pour éviter le coût d'une intervention de dépannage.

- Un disjoncteur est-il ouvert ou un fusible grillé?
- La porte est-elle bien fermée et enclenchée?
- Le programme a-t-il été correctement sélectionné pour que le lave-vaisselle puisse se mettre en marche?
- L'arrivée d'eau est-elle ouverte?

Si aucune de ces solutions ne fonctionne, veuillez consulter le guide d'utilisation pour obtenir les renseignements de contact pour l'entretien.

CONSEILS SUPPLÉMENTAIRES

Prévoir des durées de lavage plus longues. La durée d'exécution des programmes de votre nouveau lave-vaisselle est d'environ 2 à 5 heures par charge, mais il utilise presque 40 % moins d'énergie que des modèles plus anciens. Conçu pour une faible consommation d'ensemble avec un moteur à faible consommation d'énergie, votre lave-vaisselle lave plus longtemps pour garantir un lavage d'exception. Certains modèles sont dotés d'un capteur optique de niveau d'eau; pour ces modèles, le premier programme doit se calibrer en fonction du capteur optique et est donc plus long que les autres. La sélection de certaines options peut entraîner l'allongement de la durée du programme et mener à une durée totale de plus de 3 heures et demie.

L'agent de rinçage est essentiel pour un séchage satisfaisant : Afin d'obtenir un bon séchage et pour limiter l'accumulation de dépôts d'eau dure, ce lave-vaisselle est conçu pour être utilisé avec un agent de rinçage. Un lave-vaisselle éconergique consomme moins d'eau et d'énergie. Il dépend donc de l'effet « nappe d'eau » d'un agent de rinçage pour fournir un bon séchage.

Il est possible que le témoin lumineux Start/Resume (mise en marche/reprise) clignote : Lorsque l'on appuie sur Start/Resume (mise en marche/reprise), refermer la porte dans les 3 secondes qui suivent. Si l'on ne ferme pas la porte dans les 3 secondes qui suivent, le témoin lumineux Start/Resume (mise en marche/reprise) continue de clignoter jusqu'à ce que l'on appuie à nouveau dessus. (Cette opération est également nécessaire lors de l'ajout d'un plat au cours d'un programme.)