

# INSTALLATION INSTRUCTIONS 27" (68.6 CM) AND 30" (76.2 CM) ELECTRIC BUILT-IN CONVECTION MICROWAVE OVEN

## INSTRUCTIONS D'INSTALLATION FOUR À MICRO-ONDES ENCASTRÉ ÉLECTRIQUE À CONVECTION DE 27" (68,6 CM) ET 30" (76,2 CM)

### Table of Contents/Table des matières

<b>BUILT-IN MICROWAVE OVEN SAFETY</b> .....	1	<b>SÉCURITÉ DU FOUR À MICRO-ONDES ENCASTRÉ</b> .....	7
<b>INSTALLATION REQUIREMENTS</b> .....	2	<b>EXIGENCES D'INSTALLATION</b> .....	7
Tools and Parts .....	2	Outils et pièces .....	7
Location Requirements .....	2	Exigences d'emplacement .....	7
Electrical Requirements.....	3	Spécifications électriques .....	9
<b>INSTALLATION INSTRUCTIONS</b> .....	4	<b>INSTRUCTIONS D'INSTALLATION</b> .....	10
Spacer Kit Installation .....	4	Installation de la trousse d'entretoise.....	10
Prepare Built-In Microwave Oven.....	4	Préparation du four à micro-ondes encastré .....	10
Make Electrical Connection.....	5	Raccordement électrique .....	10
Install Microwave Oven .....	5	Installation du four à micro-ondes.....	11
Complete Installation .....	6	Achever l'installation .....	12

## BUILT-IN MICROWAVE OVEN SAFETY

### Your safety and the safety of others are very important.

We have provided many important safety messages in this manual and on your appliance. Always read and obey all safety messages.



This is the safety alert symbol.

This symbol alerts you to potential hazards that can kill or hurt you and others.

All safety messages will follow the safety alert symbol and either the word "DANGER" or "WARNING."

These words mean:

**⚠ DANGER**

You can be killed or seriously injured if you don't immediately follow instructions.

**⚠ WARNING**

You can be killed or seriously injured if you don't follow instructions.

All safety messages will tell you what the potential hazard is, tell you how to reduce the chance of injury, and tell you what can happen if the instructions are not followed.

# INSTALLATION REQUIREMENTS

## Tools and Parts

Gather the required tools and parts before starting installation. Read and follow the instructions provided with any tools listed here.

### Tools Needed

- Phillips screwdriver
- Flat-blade screwdriver
- Measuring tape
- Level
- Drill (for wall cabinet installations)
- 1/8" (3 mm) drill bit (for wall cabinet installations)
- 1" (2.5 cm) drill bit (for wall cabinet installations)

### Parts Needed

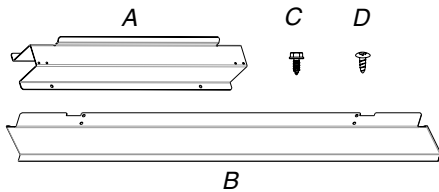
- A UL listed or CSA approved conduit connector
- UL listed wire connectors

### Parts Needed - Flush Installation

- W10752697 Stainless steel flush installation kit for 30" (76.2 cm) models
- W10752698 Stainless steel flush installation kit for 27" (68.6 cm) models
- W10839402 Limited edition black flush installation kit for 30" (76.2 cm) models

To order, see the "Assistance or Service" section of the Use and Care Guide.

### Parts Supplied



- A. Spacer bars (2)
- B. Bottom vent (1)
- C. 3/8" hex-head washer screws (4)
- D. 3/4" pan-head screws (4)

Check local codes. Check existing electrical supply. See "Electrical Requirements."

It is recommended that all electrical connections be made by a licensed, qualified electrical installer.

## Location Requirements

**IMPORTANT:** Observe all governing codes and ordinances.

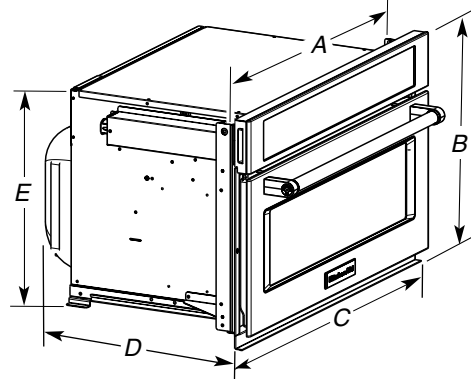
- Cabinet opening dimensions that are shown must be used. Given dimensions provide minimum clearance with microwave oven.
- Recessed installation area must provide complete enclosure around the recessed portion of the microwave oven.
- Grounded electrical supply is required. See "Electrical Requirements" section.
- Electrical supply junction box should be located 3" (7.6 cm) maximum below the support surface when the microwave oven is installed in a wall cabinet. A 1" (2.5 cm) minimum diameter hole should have been drilled in the left rear corner of the support surface to pass the appliance cable through to the junction box.

- For installation above single built-in oven, the junction box must be located inside upper cabinet.
- If you are installing the junction box on rear wall behind the microwave oven, the junction box must be recessed and located in the upper or lower right or left corner of the cabinet; otherwise, the microwave oven will not fit into the cabinet opening.
- Microwave oven support surface must be solid, level and flush with bottom of cabinet cutout. Floor must be able to support a weight of 90 lbs (41.0 kg).

**IMPORTANT:** To avoid damage to your cabinets, check with your builder or cabinet supplier to make sure that the materials used will not discolor, delaminate or sustain other damage. This oven has been designed in accordance with the requirements of UL and CSA International and complies with the maximum allowable wood cabinet temperatures of 194°F (90°C).

## Product Dimensions

### 27" (68.6 cm) and 30" (76.2 cm) Microwave Ovens



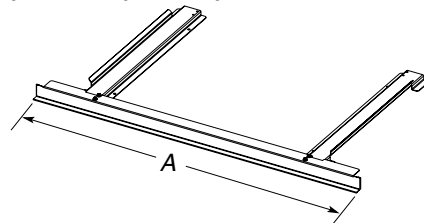
#### 27" (68.6 cm) Models

- A. 25 5/8" (64.5 cm)
- B. 18 5/8" (47.3 cm) overall height
- C. 26 3/4" (68.0 cm) overall width
- D. 21 1/2" (54.6 cm)
- E. 17 3/8" (44.1 cm)

#### 30" (76.2 cm) Models

- A. 28 5/8" (72.1 cm)
- B. 18 5/8" (47.3 cm) overall height
- C. 29 3/4" (75.6 cm) overall width
- D. 21 1/2" (54.6 cm)
- E. 17 3/8" (44.1 cm)

### 27" (68.6 cm) and 30" (76.2 cm) Microwave Oven Spacer Kit



#### 27" (68.6 cm) Models

- A. 26 3/4" (67.9 cm) overall width

#### 30" (76.2 cm) Models

- A. 29 3/4" (75.6 cm) overall width

**NOTE:** The microwave oven spacer kit will allow the microwave oven to be installed in a 17 3/8" to 17 3/4" (44.1 to 45.1 cm) maximum cutout height.

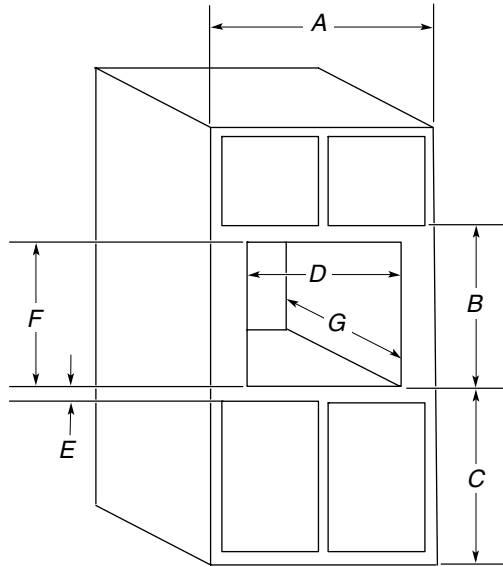
A microwave oven spacer kit is available from your dealer that will allow the microwave oven to be installed in a 19 1/4" to 19 11/16" (48.9 - 50.0 cm) maximum cutout height. Match the oven size to the following kits:

- 27" (68.6 cm) Stainless Steel - Spacer Kit W10469901
- 30" (76.2 cm) Stainless Steel - Spacer Kit W10469903
- 30" (76.2 cm) Limited Edition Black - Spacer Kit W10842584

To order, see the "Assistance or Service" section of the Use and Care Guide.

## Cabinet Dimensions

### 27" (68.6 cm) and 30" (76.2 cm) Microwave Ovens



#### 27" (68.6 cm) Models

- A. 27" (68.6 cm) min. cabinet width
- B. 18<sup>5</sup>/<sub>8</sub>" (47.3 cm) from bottom of cutout to bottom of upper cabinet door
- C. 40" (101.6 cm) bottom of cutout to floor (recommended)
- D. 25<sup>1</sup>/<sub>2</sub>" (64.8 cm) cutout width
- E. 1<sup>1</sup>/<sub>2</sub>" (3.8 cm) min. bottom of cutout to top of cabinet door
- F. 17<sup>7</sup>/<sub>8</sub>" (44.7 cm) recommended cutout height (will fit cutout height from 17<sup>3</sup>/<sub>8</sub>" [44.1 cm] to 17<sup>3</sup>/<sub>4</sub>" [45.1 cm])
- G. 21<sup>7</sup>/<sub>8</sub>" (55.5 cm) min. cutout depth

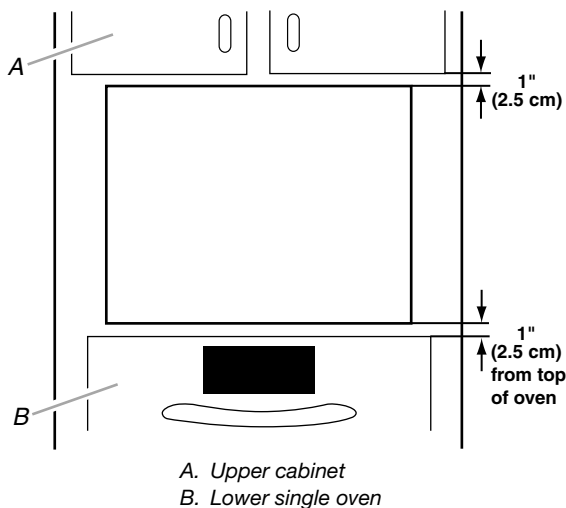
#### 30" (76.2 cm) Models

- A. 30" (76.2 cm) min. cabinet width
- B. 18<sup>5</sup>/<sub>8</sub>" (47.3 cm) from bottom of cutout to bottom of upper cabinet door
- C. 40" (101.6 cm) bottom of cutout to floor (recommended)
- D. 28<sup>1</sup>/<sub>2</sub>" (72.4 cm) cutout width
- E. 1<sup>1</sup>/<sub>2</sub>" (3.8 cm) min. bottom of cutout to top of cabinet door
- F. 17<sup>7</sup>/<sub>8</sub>" (44.7 cm) recommended cutout height (will fit cutout height from 17<sup>3</sup>/<sub>8</sub>" [44.1 cm] to 17<sup>3</sup>/<sub>4</sub>" [45.1 cm])
- G. 21<sup>7</sup>/<sub>8</sub>" (55.5 cm) min. cutout depth

## Minimum Installation Clearances

For proper installation, the following minimum clearances must exist above and below the cabinet opening.

### Installation Above Single Built-In Oven



Approved models: KMBP100E and KMBP107E

## Electrical Requirements

### GROUNDING INSTRUCTIONS

#### For a permanently connected microwave oven:

The microwave oven must be connected to a grounded, metallic, permanent wiring system, or an equipment grounding conductor should be run with the circuit conductors and connected to the equipment grounding terminal or lead on the microwave oven.

### SAVE THESE INSTRUCTIONS

If codes permit and a separate ground wire is used, it is recommended that a qualified electrical installer determine that the ground path and wire gauge are in accordance with local codes.

Check with a qualified electrical installer if you are not sure the microwave oven is properly grounded.

This microwave oven must be connected to a grounded metal, permanent wiring system.

Be sure that the electrical connection and wire size are adequate and in conformance with the National Electrical Code, ANSI/NFPA 70-latest edition or CSA Standards C22.1-94, Canadian Electrical Code, Part 1 and C22.2 No. O-M91-latest edition, and all local codes and ordinances.

A copy of the above code standards can be obtained from:

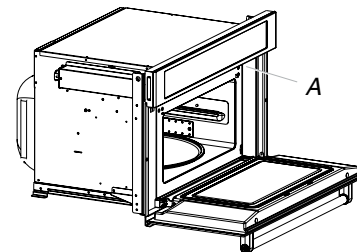
National Fire Protection Association  
1 Batterymarch Park  
Quincy, MA 02169-7471

CSA International  
8501 East Pleasant Valley Road  
Cleveland, OH 44131-5575

### Electrical Connection

To properly install your microwave oven, you must determine the type of electrical connection you will be using and follow the instructions provided for it here.

- Microwave oven must be connected to the proper electrical voltage and frequency as specified on the model/serial/rating plate. The model/serial/rating plate is located underneath the control panel, along the oven vent.



A. Model/serial/rating plate

- The microwave oven rated 120/240 volt, 20-amp, has 4 wires (L1, L2, N and G) in the flex conduit and should be connected to a 20-amp maximum rated circuit, overcurrent protected on both the L1 and L2 circuits.
- A time-delay fuse or circuit breaker is recommended.
- Flexible cable from the microwave oven should be connected directly to the junction box.
- Do not cut the conduit. The length of conduit provided is for serviceability of the microwave oven.

- A UL listed or CSA approved conduit connector must be provided.
- If the house has aluminum wiring follow the procedure below:
  1. Connect a section of solid copper wire to the pigtail leads.
  2. Connect the aluminum wiring to the added section of copper wire using special connectors and/or tools designed and UL listed for joining copper to aluminum.
 Follow the electrical connector manufacturer's recommended procedure. Aluminum/copper connection must conform with local codes and industry accepted wiring practices.

For power requirements, refer to the following table:

Voltage	Microwave With Convection Oven
120/240 VAC	19.9 A/3250 W
120/208 VAC	19.9 A/3250 W

## INSTALLATION INSTRUCTIONS

### Spacer Kit Installation

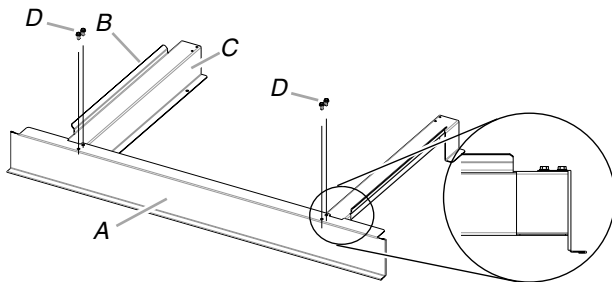
#### NOTES:

- The microwave oven spacer kit allows the microwave oven to be installed in an 17<sup>7</sup>/<sub>16</sub>" to 17<sup>7</sup>/<sub>8</sub>" (44.1 cm to 45.3 cm) maximum cutout height.
- If your cabinet cutout height is more than 17<sup>7</sup>/<sub>16</sub>" (44.1 cm), you must install the spacer kit. Proceed to "Assemble Spacer Kit."
- If your cabinet cutout height is less than 17<sup>7</sup>/<sub>16</sub>" (44.1 cm), you do not have to install the spacer kit. Proceed to "Prepare Built-In Microwave Oven."

#### Assemble Spacer Kit

1. Attach the bottom vent to spacer bars using four 3/8" hex-head washer screws.

**NOTE:** Spacer bar flanges should be facing out.

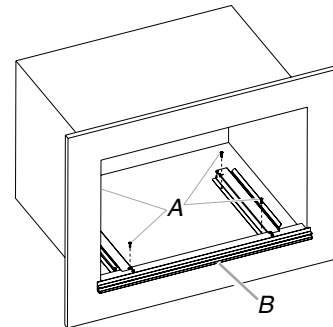


A. Bottom vent  
 B. Spacer bar flange  
 C. Spacer bars  
 D. 3/8" hex-head washer screws

#### Install Spacer Kit

1. Center assembled microwave oven spacer kit against lower front edge of the cabinet cutout.
2. Using an 1/8" (0.32 cm) drill bit, drill through the mounting holes in the spacer bars to create pilot holes.

3. Attach the assembled spacer kit to the cabinet using four 3/4" flat-head screws. Do not overtighten screws.



A. 3/4" pan-head screws  
 B. Spacer kit assembly

### Prepare Built-In Microwave Oven

1. Locate existing wiring to avoid drilling into or severing wiring during installation.

## ⚠ WARNING

### Excessive Weight Hazard

**Use two or more people to move and install microwave oven.**

**Failure to do so can result in back or other injury.**

2. To avoid floor damage, set the microwave oven onto cardboard prior to installation. Do not use handle or any portion of the front frame for lifting.
3. Remove the shipping materials and tape from the microwave oven.
4. Remove and set aside racks and other items from inside the microwave oven.
5. Remove the hardware package from inside the bag containing literature.
6. Move the microwave oven and cardboard close to the microwave oven's final location.

## Make Electrical Connection

### **⚠ WARNING**



#### Electrical Shock Hazard

**Disconnect power before servicing.**

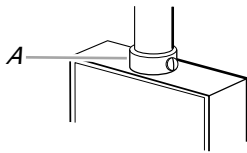
**Use 12 gauge solid copper wire.**

**Electrically ground oven.**

**Failure to follow these instructions can result in death, fire, or electrical shock.**

This microwave oven is manufactured with a neutral (white) power supply wire and a cabinet-connected green (or bare) ground wire.

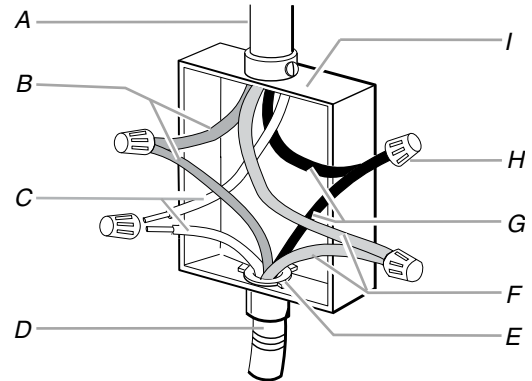
1. Disconnect power.
2. Feed the flexible cable conduit from the microwave oven through the opening in the cabinet.
3. Remove junction box cover if it is present.
4. Install a UL listed or CSA approved conduit connector to the junction box.



A. UL listed or CSA approved conduit connector

5. Route the flexible cable conduit from the microwave oven to the junction box through a UL listed or CSA approved conduit connector.
6. Tighten screws on conduit connector.
7. Complete electrical connection.

## 3-Wire Cable with Ground from Home Power Supply to Microwave Oven Cable with 4-Wires

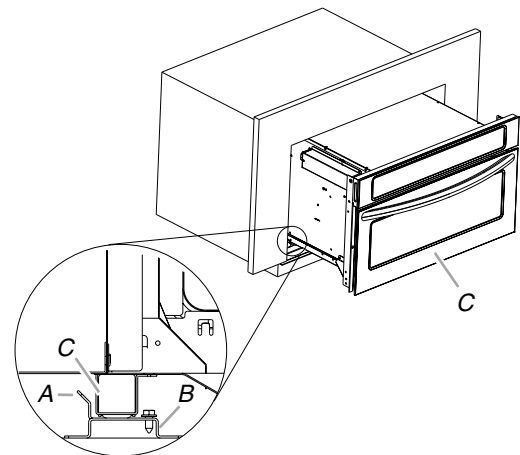


- |  |                             |
|--|-----------------------------|
| A. Cable from home power supply                | F. Red wires                |
| B. Green (or bare) wires                       | G. Black wires              |
| C. White wires                                 | H. UL listed wire connector |
| D. 4-wire cable from microwave oven            | I. Junction box             |
| E. UL listed or CSA approved conduit connector |                             |

1. Connect the 2 black wires (G) together using a UL listed wire connector.
2. Connect the 2 white wires (C) using a UL listed wire connector.
3. Connect the 2 red wires (F) together using a UL listed wire connector.
4. Connect the 2 green (or bare) wires (B) together using a UL listed wire connector.
5. Install junction box cover.

## Install Microwave Oven

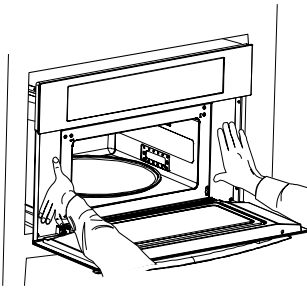
1. Using 2 or more people, lift the microwave oven partially into the cabinet cutout. If a spacer kit has been installed, lift the microwave oven over it and position the microwave between the guide strips.



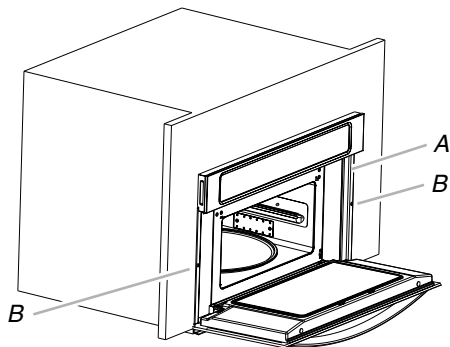
- |                      |
|----------------------|
| A. Spacer bar flange |
| B. Spacer bar        |
| C. Microwave oven    |

2. Push against the front frame of the microwave oven to insert oven into cabinet. Push microwave oven completely into cabinet and center in cabinet cutout.

**NOTE:** Open microwave oven door and push against seal area of microwave oven front frame when pushing microwave oven into cabinet. Do not push against outside edges.



3. Using an 1/8" (0.32 cm) drill bit, predrill pilot holes through the mounting rails on each side of the microwave oven.
4. Securely fasten microwave oven to cabinet using two 3/4" flathead screws provided. Insert the screws through holes in mounting rails. Do not overtighten screws.



A. Mounting rail  
B. Flat-head screws

5. Replace convection grid, turntable and support hub.
6. Reconnect power.
7. Display panel will light briefly, and the clock should appear in the display.
8. If display panel does not light, please reference the "Assistance or Service" section of the Use and Care Guide or contact the dealer from whom you purchased your microwave oven.

## Complete Installation

1. Check that all parts are now installed. If there is an extra part, go back through the steps to see which step was skipped.
2. Check that you have all of your tools.
3. Dispose of/recycle all packaging materials.
4. For microwave oven use and cleaning, read the Use and Care Guide.

### Check Operation of Microwave Oven

1. Fill a microwave-safe container with 1 cup (250 mL) of water and place container on the turntable inside the microwave oven. Close door firmly.
2. Touch COOK.
3. Set power level, temperature and cook time to "2:00" minutes.
4. Touch START.

#### If microwave does not operate, check the following:

- Household fuse is intact and tight; or circuit breaker has not tripped.
- Electrical supply is connected;
- See "Troubleshooting" section in the Use and Care Guide.

When the display reads "1:00" minute, open the microwave oven door. The microwave oven should stop cooking. Close door firmly. The interior microwave oven light should turn off.

5. Touch START to resume a preset cycle. The microwave oven should begin cooking, and the microwave oven interior light should be on.  
Let microwave oven complete cooking time. Tones will sound at the end of the cooking time, and the microwave oven will shut off.
6. Open microwave oven door and slowly remove container. Water in container should be hot.
7. To set the clock and other microwave oven functions, refer to the Use and Care Guide.

#### If you need Assistance or Service:

Please reference the "Assistance or Service" section of the Use and Care Guide or contact the dealer from whom you purchased your built-in microwave oven.

# SÉCURITÉ DU FOUR À MICRO-ONDES ENCASTRÉ

## Votre sécurité et celle des autres est très importante.

Nous donnons de nombreux messages de sécurité importants dans ce manuel et sur votre appareil ménager. Assurez-vous de toujours lire tous les messages de sécurité et de vous y conformer.



Voici le symbole d'alerte de sécurité.

Ce symbole d'alerte de sécurité vous signale les dangers potentiels de décès et de blessures graves à vous et à d'autres.

Tous les messages de sécurité suivront le symbole d'alerte de sécurité et le mot "DANGER" ou "AVERTISSEMENT". Ces mots signifient :

**⚠ DANGER**

**Risque possible de décès ou de blessure grave si vous ne suivez pas immédiatement les instructions.**

**⚠ AVERTISSEMENT**

**Risque possible de décès ou de blessure grave si vous ne suivez pas les instructions.**

Tous les messages de sécurité vous diront quel est le danger potentiel et vous disent comment réduire le risque de blessure et ce qui peut se produire en cas de non-respect des instructions.

## EXIGENCES D'INSTALLATION

### Outils et pièces

Rassembler les outils et pièces nécessaires avant d'entreprendre l'installation. Lire et observer les instructions fournies avec chacun des outils de la liste ci-dessous.

#### Outils nécessaires

- Tournevis Phillips
- Tournevis à lame plate
- Mètre ruban
- Niveau
- Perceuse (pour l'installation dans un placard mural)
- Foret de 1/8" (3 mm) (pour installations dans un placard mural)
- Foret de 1" (2,5 cm) (pour installation dans un placard mural)

#### Pièces nécessaires

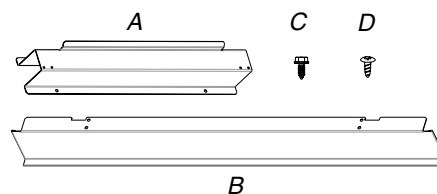
- Un connecteur de conduit (homologation UL ou CSA)
- Connecteurs de fils (homologation UL)

#### Outillage nécessaire - Installation en affleurement

- Ensemble en acier inoxydable pour installation en affleurement pour modèles de 30" (76,2 cm), pièce numéro W10752697
- Ensemble en acier inoxydable pour installation en affleurement pour modèles de 27" (68,6 cm), pièce numéro W10752698
- Ensemble édition limitée noire pour installation en affleurement pour modèles de 30" (76,2 cm), pièce numéro W10839402
- Ensemble édition limitée noire pour installation en affleurement pour modèles de 27" (68,6 cm), pièce numéro W10839401

Pour commander, voir la section "Assistance ou service" du Guide d'utilisation et d'entretien.

### Pièces fournies



- A. Barres de calage (2)
- B. Évent inférieur (1)
- C. Vis rondelle à tête hexagonale de 3/8" (4)
- D. Vis à tête bombée de 3/4" (4)

Consulter les codes locaux. Vérifier l'alimentation électrique existante. Voir "Spécifications électriques".

Il est recommandé de faire réaliser tous les raccordements électriques par un électricien qualifié agréé.

### Exigences d'emplacement

**IMPORTANT :** Observer les dispositions de tous les codes et règlements en vigueur.

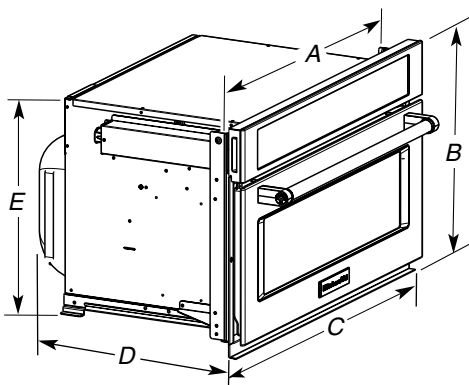
- Respecter les dimensions indiquées pour les ouvertures à découper dans les placards. Ces dimensions tiennent compte des dégagements de séparation minimaux nécessaires pour le four à micro-ondes.
- L'espace d'installation dans un encastrement doit permettre la formation d'une enceinte complète autour de la partie encastrée du four à micro-ondes.
- Une source d'électricité avec liaison à la terre est nécessaire. Voir la section "Spécifications électriques".
- Le boîtier de connexion doit être situé 3" (7,6 cm) maximum au-dessous de la surface d'appui lorsque le four est installé dans un placard mural. Un trou d'un diamètre minimal de 1" (2,5 cm) doit avoir été percé dans l'angle arrière gauche de la surface de support pour le passage du câble d'alimentation de l'appareil jusqu'au boîtier de connexion.

- Pour une installation au-dessus d'un seul four encastré, le boîtier de connexion doit se trouver à l'intérieur du placard mural.
- Si l'on installe le boîtier de connexion sur le mur arrière, derrière le four à micro-ondes, le boîtier de connexion doit être encastré et placé dans l'angle inférieur ou supérieur du placard, à gauche ou à droite, sans quoi le four ne pourra pas passer dans l'ouverture de placard destinée à le recevoir.
- La surface de support du four à micro-ondes doit être robuste, horizontale et en affleurement avec le bas de l'ouverture découpée dans le placard. Le plancher doit pouvoir supporter un poids de 90 lbs (41,0 kg).

**IMPORTANT :** Afin d'éviter d'endommager les placards, consulter l'installateur ou le fabricant des placards pour déterminer si les matériaux utilisés peuvent subir un changement de couleur, une déstratification ou d'autres dommages. Ce four a été conçu conformément aux exigences des normes UL et CSA International et respecte les températures maximales permises de 194°F (90°C) pour les placards en bois.

### Dimensions du produit

#### Fours à micro-ondes de 27" (68,6 cm) et 30" (76,2 cm)



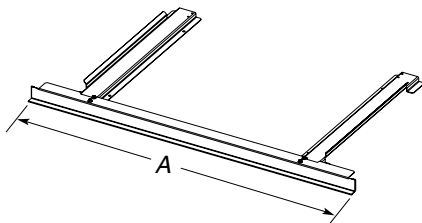
#### Modèles de 27" (68,6 cm)

- A. 25<sup>3</sup>/<sub>8</sub>" (64,5 cm)
- B. 18<sup>5</sup>/<sub>8</sub>" (47,3 cm) de hauteur totale
- C. 26<sup>3</sup>/<sub>4</sub>" (68,0 cm) de largeur totale
- D. 21<sup>1</sup>/<sub>2</sub>" (54,6 cm)
- E. 17<sup>3</sup>/<sub>8</sub>" (44,1 cm)

#### Modèles de 30" (76,2 cm)

- A. 28<sup>3</sup>/<sub>8</sub>" (72,1 cm)
- B. 18<sup>5</sup>/<sub>8</sub>" (47,3 cm) de hauteur totale
- C. 29<sup>3</sup>/<sub>4</sub>" (75,6 cm) de largeur totale
- D. 21<sup>1</sup>/<sub>2</sub>" (54,6 cm)
- E. 17<sup>3</sup>/<sub>8</sub>" (44,1 cm)

#### Trousse d'entretoise pour four à micro-ondes de 27" (68,6 cm) et 30" (76,2 cm)



#### Modèles de 27" (68,6 cm)

- A. 26<sup>3</sup>/<sub>4</sub>" (67,9 cm) de largeur totale

#### Modèles de 30" (76,2 cm)

- A. 29<sup>3</sup>/<sub>4</sub>" (75,6 cm) de largeur totale

**REMARQUE :** La trousse d'entretoise du four à micro-ondes permet d'installer le four dans un encastrement d'une hauteur maximale comprise entre 17<sup>3</sup>/<sub>8</sub>" et 17<sup>3</sup>/<sub>4</sub>" (44,1 et 45,1 cm).

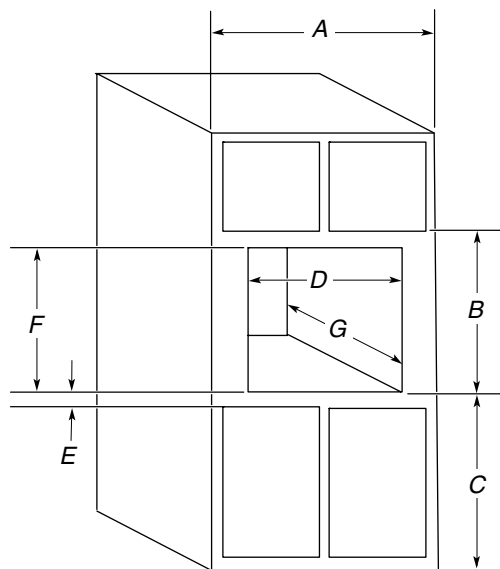
La trousse d'entretoise du four à micro-ondes (à acheter auprès de votre revendeur) permet d'installer le four à micro-ondes dans un encastrement d'une hauteur maximale de 19<sup>1</sup>/<sub>4</sub>" à 19<sup>1</sup>/<sub>16</sub>" (48,9 à 50,0 cm). Utiliser les troupes suivantes en fonction de la taille du four :

- Acier inoxydable 27" (68,6 cm) – Ensemble espaceur W10469901
- Acier inoxydable 30" (76,2 cm) – Ensemble espaceur W10469903
- Édition limitée noire 30" (76,2 cm) – Ensemble espaceur W10842584
- Édition limitée noire 27" (68,6 cm) – Ensemble espaceur W10842586

Pour commander, voir la section "Assistance ou service" du Guide d'utilisation et d'entretien.

### Dimensions du placard

#### Fours à micro-ondes de 27" (68,6 cm) et 30" (76,2 cm)



#### Modèles de 27" (68,6 cm)

- A. 27" (68,6 cm) min. de largeur de placard
- B. 18<sup>5</sup>/<sub>8</sub>" (47,3 cm) entre le bas de l'encastrement et le bas de la porte du placard supérieur
- C. 40" (101,6 cm) du fond de l'encastrement au plancher (recommandé)
- D. 25<sup>1</sup>/<sub>2</sub>" (64,8 cm) de largeur d'encastrement
- E. 1<sup>1</sup>/<sub>2</sub>" (3,8 cm) min. du fond de l'encastrement au dessus de la porte du placard
- F. Hauteur recommandée pour l'encastrement de 17<sup>3</sup>/<sub>8</sub>" (44,7 cm) (convient à une hauteur d'encastrement comprise entre 17<sup>3</sup>/<sub>8</sub>" [44,1 cm] et 17<sup>3</sup>/<sub>4</sub>" [45,1 cm])
- G. 21<sup>7</sup>/<sub>8</sub>" (55,5 cm) min. de profondeur d'encastrement

#### Modèles de 30" (76,2 cm)

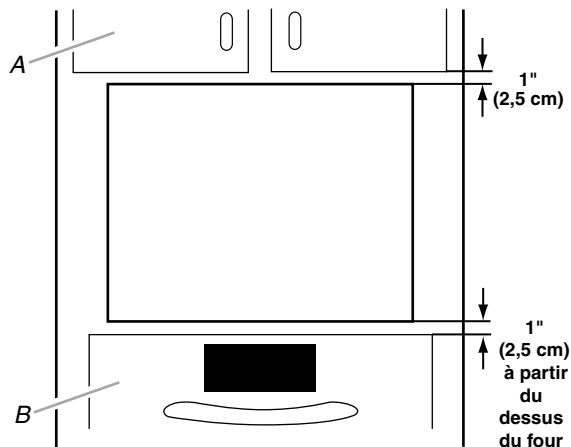
- A. 30" (76,2 cm) min. de largeur de placard
- B. 18<sup>5</sup>/<sub>8</sub>" (47,3 cm) entre le bas de l'encastrement et le bas de la porte du placard supérieur
- C. 40" (101,6 cm) du fond de l'encastrement au plancher (recommandé)
- D. 28<sup>1</sup>/<sub>2</sub>" (72,4 cm) de largeur d'encastrement
- E. 1<sup>1</sup>/<sub>2</sub>" (3,8 cm) min. du fond de l'encastrement au dessus de la porte du placard
- F. Hauteur recommandée pour l'encastrement de 17<sup>3</sup>/<sub>8</sub>" (44,7 cm) (convient à une hauteur d'encastrement comprise entre 17<sup>3</sup>/<sub>8</sub>" [44,1 cm] et 17<sup>3</sup>/<sub>4</sub>" [45,1 cm])
- G. 21<sup>7</sup>/<sub>8</sub>" (55,5 cm) min. de profondeur d'encastrement



## Distances de dégagement minimales pour l'installation

Pour une installation correcte, les distances de dégagement minimales suivantes doivent être respectées au-dessus et au-dessous de l'ouverture dans le placard.

### Installation par le dessus – Four encastré simple



A. Placard supérieur  
B. Four inférieur simple

Modèles approuvés : KMBP100E et KMBP107E.

## Spécifications électriques

### INSTRUCTIONS DE LIAISON À LA TERRE

#### Pour un four à micro-ondes raccordé en permanence :

Le four à micro-ondes doit être raccordé à un système de câblage permanent en métal relié à la terre, ou le câblage d'alimentation doit inclure un conducteur de liaison à la terre connecté à la borne ou à un fil de liaison à la terre sur le four à micro-ondes.

### CONSERVER CES INSTRUCTIONS

Si l'on utilise un conducteur distinct de liaison à la terre lorsque les codes le permettent, il est recommandé qu'un électricien qualifié vérifie que la liaison à la terre et le calibre des conducteurs sont conformes aux codes locaux.

En cas de doute quant à la qualité de la liaison à la terre du four à micro-ondes, consulter un électricien qualifié.

Ce four à micro-ondes doit être raccordé à un système permanent, métallique de câblage relié à la terre.

S'assurer que la connexion électrique et le calibre des fils sont appropriés et conformes au National Electrical Code, aux normes ANSI/NFPA 70 – dernière édition, ou aux normes CSA C22.1-94, au Code canadien de l'électricité, Partie 1 et C22.2 N° O-M91 – dernière édition, et à tous les codes et règlements locaux.

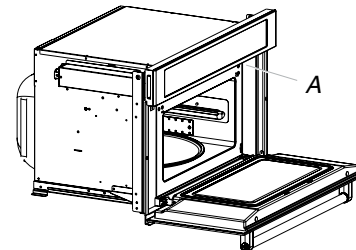
Pour obtenir un exemplaire des normes des codes ci-dessus, contacter :

National Fire Protection Association  
1 Batterymarch Park  
Quincy, MA 02169-7471  
CSA International  
8501 East Pleasant Valley Road  
Cleveland, OH 44131-5575

## Raccordement électrique

Pour installer le four à micro-ondes correctement, il faut établir le type de raccords électriques que l'on utilisera et suivre les instructions indiquées ici.

- Le four à micro-ondes doit être alimenté par une source d'électricité appropriée (caractéristiques de tension et fréquence spécifiées sur la plaque signalétique). La plaque signalétique se trouve sous le tableau de commande, le long de l'évent du four.



A. Plaque signalétique

- Le four à micro-ondes est alimenté par une tension nominale de 120/240 volts sous 20 A, contient 4 conducteurs (L1, L2, N et terre) dans le câble flexible et doit être connecté à un circuit de 20 A d'intensité nominale maximale, protégé contre les surintensités sur les circuits L1 et L2.
- On recommande d'utiliser un fusible ou un disjoncteur temporisé.
- Le câble flexible du four à micro-ondes doit être connecté directement dans le boîtier de connexion.
- Ne pas couper le conduit. La longueur du conduit fourni est destinée à faciliter l'entretien/le dépannage éventuel du four.
- L'installateur doit fournir un connecteur de conduit (homologation UL ou CSA).
- Si le domicile est équipé d'un câblage en aluminium, suivre les instructions suivantes :
  - Raccorder une section de câble en cuivre massif aux conducteurs en queue de cochon.
  - Connecter le câblage en aluminium à la section ajoutée de câblage en cuivre en utilisant des connecteurs et/ou des outils spécialement conçus et homologués UL pour fixer le cuivre à l'aluminium.

Suivre la procédure recommandée par le fabricant de connecteurs électriques. Les raccordements aluminium/cuivre doivent satisfaire aux prescriptions des codes locaux et de l'industrie, et être conformes aux pratiques de câblage reconnues.

Pour les critères d'alimentation électrique, se reporter au tableau suivant.

Tension	Four à micro-ondes avec convection
120/240 VCA	19,9 A/3250 W
120/208 VCA	19,9 A/3250 W

# INSTRUCTIONS D'INSTALLATION

## Installation de la trousse d'entretoise

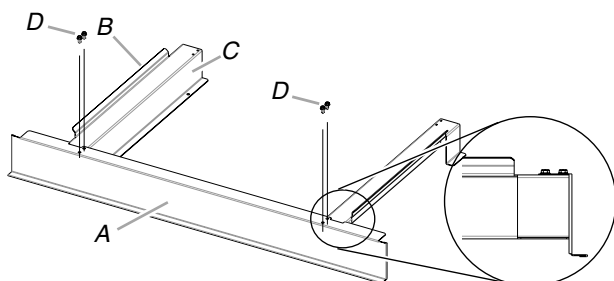
### REMARQUES :

- La trousse d'entretoise du four à micro-ondes permet d'installer le four dans un encastrement d'une hauteur maximale comprise entre 17 $\frac{7}{16}$ " (44,1 cm) et 17 $\frac{7}{8}$ " (45,3 cm).
- Si la hauteur d'ouverture du placard est supérieure à 17 $\frac{7}{16}$ " (44,1 cm), on doit installer la trousse d'entretoise. Passer à "Assemblage de la trousse d'entretoise".
- Si la hauteur d'ouverture du placard est inférieure à 17 $\frac{7}{16}$ " (44,1 cm), il n'est pas nécessaire d'installer la trousse d'entretoise. Passer à "Préparation du four à micro-ondes encastré".

### Assemblage de la trousse d'entretoise

1. Fixer l'évent du bas aux barres de calage à l'aide des quatre vis rondelle à tête hexagonale de  $\frac{3}{8}$ ".

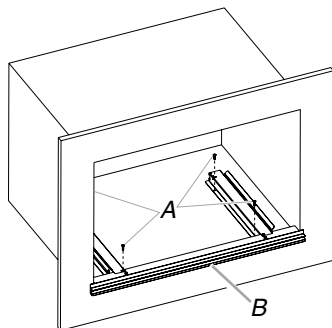
**REMARQUE :** Les rebords de la barre de calage doivent être orientés vers l'extérieur.



- A. Évent inférieur
- B. Rebord de la barre de calage
- C. Barres de calage
- D. Vis rondelle à tête hexagonale de  $\frac{3}{8}$ "

### Installation de la trousse d'entretoise

1. Centrer la trousse d'entretoise pour four à micro-ondes assemblée contre le rebord inférieur avant de l'ouverture découpée dans le placard.
2. À l'aide d'un foret de  $\frac{1}{8}$ " (0,32 cm), percer dans les trous de montage des barres de calage pour créer des avant-trous.
3. Fixer la trousse d'entretoise assemblée au placard à l'aide des quatre vis à tête plate de  $\frac{3}{4}$ ". Ne pas serrer excessivement les vis.



- A. Vis à tête cylindrique bombée de  $\frac{3}{4}$ "
- B. Trousse d'entretoise

## Préparation du four à micro-ondes encastré

1. Repérer le câblage existant pour éviter de le percer ou de l'endommager lors de l'installation.

### ⚠ AVERTISSEMENT

#### Risque du poids excessif

Utiliser deux ou plus de personnes pour déplacer et installer le four à micro-ondes.

Le non-respect de cette instruction peut causer une blessure au dos ou d'autre blessure.

2. Pour éviter d'endommager le plancher, placer le four à micro-ondes sur une feuille de carton avant l'installation. Lors des opérations de levage, ne pas prendre prise sur la poignée ou sur une quelconque partie du châssis avant.
3. Retirer les matériaux d'emballage et les rubans adhésifs du four à micro-ondes.
4. Retirer et conserver à part les grilles et autres articles se trouvant à l'intérieur du four à micro-ondes.
5. Retirer le matériel à l'intérieur du sachet de documentation.
6. Rapprocher le four à micro-ondes et la feuille de carton de l'emplacement final du four à micro-ondes.

## Raccordement électrique

### ⚠ AVERTISSEMENT



#### Risque de choc électrique

Déconnecter la source de courant électrique avant d'entreprendre le travail.

Utiliser du fil en cuivre rigide de calibre 12.

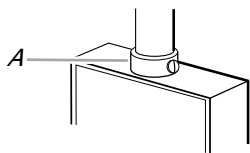
Relier le four à la terre.

Le non-respect de ces instructions peut causer un décès, un incendie ou un choc électrique.

Le câblage de ce four à micro-ondes comporte un conducteur d'alimentation électrique neutre (blanc) et un conducteur de liaison à la terre vert (ou nu) connecté à la caisse.

1. Déconnecter la source de courant électrique.
2. Faire passer le conduit de câble flexible depuis le four à micro-ondes jusqu'à l'espace d'installation dans le placard.
3. Le cas échéant, enlever le couvercle du boîtier de connexion.

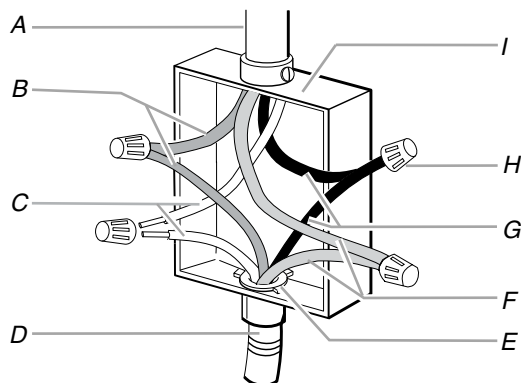
4. Installer un connecteur de conduit (homologation UL ou CSA) sur le boîtier de connexion.



A. Connecteur de conduit (homologation UL ou CSA)

5. Acheminer le conduit de câble flexible depuis le four à microondes jusqu'au boîtier de connexion – utiliser un connecteur de conduit (homologation UL ou CSA).
6. Serrer les vis sur le connecteur de conduit.
7. Achever le raccordement électrique.

### Raccordement du câble à 3 conducteurs avec terre de l'alimentation du domicile au câble du four à microondes à 4 conducteurs

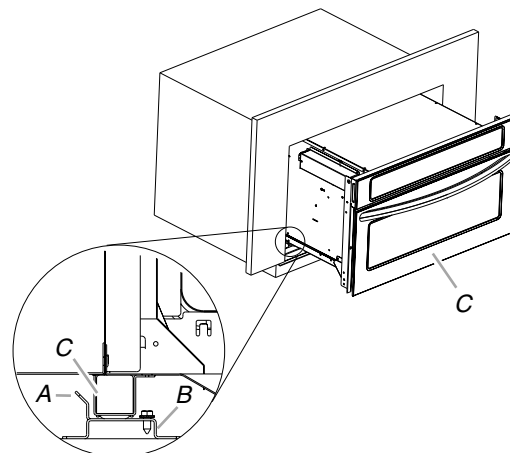


- |   |   |
|---|---|
| A. Câble de l'alimentation électrique du domicile | F. Conducteurs rouges                   |
| B. Conducteurs verts (ou nus)                     | G. Conducteurs noirs                    |
| C. Conducteurs blancs                             | H. Connecteur de fils (homologation UL) |
| D. Câble à 4 conducteurs du four à micro-ondes    | I. Boîtier de connexion                 |
| E. Connecteur de conduit (homologation UL ou CSA) |   |

1. Connecter ensemble les 2 conducteurs noirs (G) avec un connecteur de fils (homologation UL).
2. Connecter les 2 conducteurs blancs (C) avec un connecteur de fils (homologation UL).
3. Connecter ensemble les 2 conducteurs rouges (F) avec un connecteur de fils (homologation UL).
4. Connecter ensemble les 2 conducteurs verts (ou nus) avec un connecteur de fils (homologation UL).
5. Installer le couvercle du boîtier de connexion.

## Installation du four à micro-ondes

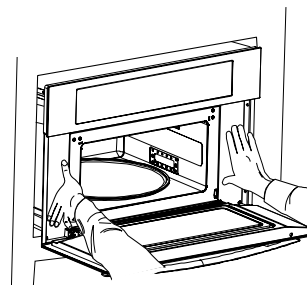
1. À l'aide d'au moins 2 personnes, soulever le four à microondes et l'introduire partiellement dans l'ouverture d'encastrement du placard. Si l'on a installé une trousse d'entretoise, soulever le four à micro-ondes et le placer par dessus celle-ci puis placer le micro-ondes entre les languettes de guidage.



A. Rebord de la barre de calage  
B. Barre de calage  
C. Four à micro-ondes

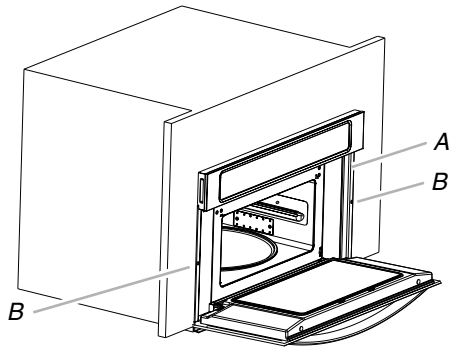
2. Pousser contre le châssis avant du four à micro-ondes pour introduire le four dans le placard. Enfoncer complètement le four à micro-ondes dans le placard et le centrer dans la cavité du placard.

**REMARQUE :** Ouvrir la porte du four à micro-ondes et pousser sur la zone du joint du châssis avant du four à micro-ondes lorsque l'on introduit le four à micro-ondes dans le placard. Ne pas pousser contre les bords externes.



3. À l'aide d'un foret de 1/8" (0,32 cm), percer des avant-trous dans les glissières de montage situées de chaque côté du four à micro-ondes.

4. Fixer solidement le four à micro-ondes au placard à l'aide des deux vis à tête plate de  $\frac{3}{4}$ " fournies. Insérer les vis à travers les trous des glissières de montage. Ne pas serrer excessivement les vis.



A. Glissière de montage  
B. Deux vis

5. Réinstaller la grille de convection, le plateau rotatif et l'axe de support.
6. Reconnecter la source de courant électrique.
7. Le tableau d'affichage s'allume brièvement et l'horloge devrait apparaître sur l'affichage.
8. Si le tableau d'affichage ne s'allume pas, consulter la section "Assistance ou service" du Guide d'utilisation et d'entretien ou contacter le marchand qui vous a vendu le four à micro-ondes.

## Achever l'installation

1. Vérifier que toutes les pièces sont maintenant installées. S'il reste une pièce, passer en revue les différentes étapes pour découvrir laquelle aurait été oubliée.
2. Vérifier la présence de tous les outils.
3. Jeter/recycler tous les matériaux d'emballage.
4. Pour l'utilisation et le nettoyage du four à micro-ondes, lire le Guide d'utilisation et d'entretien.

### Vérification du fonctionnement du four à micro-ondes

1. Remplir un récipient adapté aux micro-ondes avec 1 tasse (250 mL) d'eau et le placer sur le plateau rotatif du four à micro-ondes. Bien fermer la porte.
2. Appuyer sur COOK (cuisson).
3. Régler le niveau de puissance, la température et le temps de cuisson à "2:00" minutes.
4. Appuyer sur START (mise en marche).

#### Si le four à micro-ondes ne fonctionne pas, contrôler ce qui suit :

- Le fusible du domicile est intact et bien serré. Le disjoncteur ne s'est pas déclenché.
- L'appareil est sous tension.
- Voir la section "Dépannage" dans le Guide d'utilisation et d'entretien.

Lorsque l'afficheur indique "1:00" minute, ouvrir la porte du four à micro-ondes. La cuisson au four à micro-ondes doit s'arrêter la cuisson. Bien fermer la porte. La lampe intérieure du four à micro-ondes doit s'éteindre.

5. Appuyer sur START (mise en marche) pour poursuivre le programme préréglé. Le four à micro-ondes doit commencer la cuisson et la lampe intérieure du four à micro-ondes doit être allumée.  
Laisser le four à micro-ondes terminer la durée de cuisson. Des signaux sonores retentissent à la fin de la durée de cuisson et le four à micro-ondes s'éteint.
6. Ouvrir la porte du four à micro-ondes et retirer lentement le contenant. L'eau dans le contenant doit être chaude.
7. Pour le réglage de l'horloge et d'autres fonctions du four à micro-ondes, consulter le Guide d'utilisation et d'entretien.

#### Si vous avez besoin d'assistance ou de service :

Consulter la section "Assistance ou service" du Guide d'utilisation et d'entretien ou contacter le marchand chez qui le four à micro-ondes encastré a été acheté.