

KitchenAid®

MICROWAVE OVEN

Use & Care Guide

For questions about features, operations/performance, parts, accessories, or service, call: **1-800-422-1230** or visit our website at **www.kitchenaid.com/owners**.

In Canada, call: **1-800-807-6777** or visit our website at **www.kitchenaid.ca/owners**.

FOUR À MICRO-ONDES

Guide d'utilisation et d'entretien

Pour des questions à propos des caractéristiques, du fonctionnement/rendement, des pièces, accessoires ou service, composer le : **1 800 422-1230** ou visiter notre site Web au **www.kitchenaid.com/owners**.

Au Canada, composer le : **1 800 807-6777** ou visiter notre site Web au **www.kitchenaid.ca/proprietaire**.

TABLE OF CONTENTS

MICROWAVE OVEN SAFETY	3
INSTALLATION INSTRUCTIONS	5
Unpacking	5
Location Requirements	5
Electrical Requirements	5
PARTS AND FEATURES	6
Turntable.....	6
MICROWAVE OVEN CONTROL	6
Keypad Instructions	7
Display	11
Standby mode.....	11
START.....	11
Quick Start/Add 30 seconds.....	11
Express Start.....	11
STOP/UNLOCK.....	11
To use Non-Sensor Menu	11
Clocks.....	11
Timer.....	11
Tones ON/OFF.....	11
Cooking End.....	11
To use Sensor Menu	11
MICROWAVE OVEN USE	12
Food Characteristics	12
Cooking Guidelines	12
Cookware and Dinnerware.....	13
Aluminum Foil and Metal	13
Cook Menu.....	13
Popcorn.....	13
Potato.....	14
Reheat Menu	14
Soften Menu.....	14
Melt Menu	14
Defrost Menu.....	15
Steam Clean.....	15
Keep Warm.....	15
MICROWAVE OVEN USE	16
General Cleaning.....	16
TROUBLESHOOTING	17
ASSISTANCE OR SERVICE	18
In the U.S.A.	18
In Canada	18
Replacement Parts.....	18
Built-in Kits	18

TABLE DES MATIÈRES

SÉCURITÉ DU FOUR À MICRO-ONDES	19
INSTRUCTIONS D'INSTALLATION	21
Déballage	21
Exigences d'emplacement.....	21
Spécifications électriques	21
PIÈCES ET CARACTÉRISTIQUES	22
Plateau rotatif	22
COMMANDE DU FOUR À MICRO-ONDES	22
Instructions du clavier	23
Affichage	27
Mode Standby (Veille)	27
START (MISE EN MARCHÉ).....	27
Quick start/Add 30 seconds (Démarrage rapide/Ajouter 30 secondes).....	27
Express Start (Démarrage Express).....	28
STOP/UNLOCK (ARRÊT/DÉVERROUILLAGE).....	28
Utilisation du menu sans détection	28
Clocks (Horloge).....	28
Timer (Minuterie).....	28
Tones ON/OFF (Signaux sonores de MARCHÉ/ARRÊT).....	28
Fin de cuisson	28
Utilisation du menu avec détection	28
UTILISATION DU FOUR À MICRO-ONDES	29
Caractéristiques des aliments.....	29
Guide de cuisson	29
Ustensiles de cuisson et vaisselle	30
Papier d'aluminium et métal	30
Menu de cuisson.....	30
Maïs à éclater	30
Pomme de terre.....	31
Menu de Réchauffage.....	31
Menu Ramollir	31
Menu Faire fondre	31
Menu de DÉCONGÉLATION.....	32
Steam Clean (Nettoyage à la vapeur)	32
Keep Warm (Maintien au chaud).....	32
UTILISATION DU FOUR À MICRO-ONDES	33
Nettoyage général	33
DÉPANNAGE	34
ASSISTANCE OU DÉPANNAGE	35
Aux É.-U.	35
Au Canada.....	35
Pièces de rechange.....	35
Trousses pour fours encastrés.....	35

MICROWAVE OVEN SAFETY

Your safety and the safety of others are very important.

We have provided many important safety messages in this manual and on your appliance. Always read and obey all safety messages.



This is the safety alert symbol.

This symbol alerts you to potential hazards that can kill or hurt you and others.

All safety messages will follow the safety alert symbol and either the word “DANGER” or “WARNING.”

These words mean:

⚠ DANGER

You can be killed or seriously injured if you don't immediately follow instructions.

⚠ WARNING

You can be killed or seriously injured if you don't follow instructions.

All safety messages will tell you what the potential hazard is, tell you how to reduce the chance of injury, and tell you what can happen if the instructions are not followed.

IMPORTANT SAFETY INSTRUCTIONS

When using electrical appliances basic safety precautions should be followed, including the following:

WARNING: To reduce the risk of burns, electric shock, fire, injury to persons, or exposure to excessive microwave energy:

- Read all instructions before using the microwave oven.
- Read and follow the specific “PRECAUTIONS TO AVOID POSSIBLE EXPOSURE TO EXCESSIVE MICROWAVE ENERGY” found in this section.
- The microwave oven must be grounded. Connect only to properly grounded outlet. See “GROUNDING INSTRUCTIONS” found in the “INSTALLATION INSTRUCTIONS” section.
- Install or locate the microwave oven only in accordance with the provided Installation Instructions.
- Some products such as whole eggs in the shell and sealed containers - for example, closed glass jars - are able to explode and should not be heated in the microwave oven.
- Use the microwave oven only for its intended use as described in the manual. Do not use corrosive chemicals or vapors in the microwave oven. This type of oven is specifically designed to heat, cook, or dry food. It is not designed for industrial or laboratory use.
- As with any appliance, close supervision is necessary when used by children.
- Do not operate the microwave oven if it has a damaged cord or plug, if it is not working properly, or if it has been damaged or dropped.
- The microwave oven should be serviced only by qualified service personnel. Call an authorized service company for examination, repair, or adjustment.
- Do not cover or block any openings on the microwave oven.
- Do not store this microwave oven outdoors. Do not use the microwave oven near water - for example, near a kitchen sink, in a wet basement, near a swimming pool, or similar locations.
- Do not immerse cord or plug in water.
- Keep cord away from heated surfaces.
- Do not let cord hang over edge of table or counter.
- See door surface cleaning instructions in the “Microwave Oven Care” section.
- To reduce the risk of fire in the oven cavity:
 - Do not overcook food. Carefully attend the microwave oven when paper, plastic, or other combustible materials are placed inside the oven to facilitate cooking.
 - Remove wire twist-ties from paper or plastic bags before placing bags in oven.
 - If materials inside the oven ignite, keep oven door closed, turn oven off, and disconnect the power cord, or shut off power at the fuse or circuit breaker panel.
 - Do not use the cavity for storage purposes. Do not leave paper products, cooking utensils, or food in the cavity when not in use.

SAVE THESE INSTRUCTIONS

IMPORTANT SAFETY INSTRUCTIONS

- Liquids, such as water, coffee, or tea are able to be overheated beyond the boiling point without appearing to be boiling. Visible bubbling or boiling when the container is removed from the microwave oven is not always present. THIS COULD RESULT IN VERY HOT LIQUIDS SUDDENLY BOILING OVER WHEN THE CONTAINER IS DISTURBED OR A SPOON OR OTHER UTENSIL IS INSERTED INTO THE LIQUID.

To reduce the risk of injury to persons:

- Do not overheat the liquid.
- Stir the liquid both before and halfway through heating it.
- Do not use straight-sided containers with narrow necks.
- After heating, allow the container to stand in the microwave oven for a short time before removing the container.
- Use extreme care when inserting a spoon or other utensil into the container.

SAVE THESE INSTRUCTIONS

PRECAUTIONS TO AVOID POSSIBLE EXPOSURE TO EXCESSIVE MICROWAVE ENERGY

- (a) Do not attempt to operate this oven with the door open since open-door operation can result in harmful exposure to microwave energy. It is important not to defeat or tamper with the safety interlocks.
- (b) Do not place any object between the oven front face and the door or allow soil or cleaner residue to accumulate on sealing surfaces.
- (c) Do not operate the oven if it is damaged. It is particularly important that the oven door close properly and that there is no damage to the:
 - (1) Door (bent),
 - (2) Hinges and latches (broken or loosened),
 - (3) Door seals and sealing surfaces.
- (d) The oven should not be adjusted or repaired by anyone except properly qualified service personnel.

This device complies with Part 18 of the FCC Rules.
This device complies with Industry Canada ICES-001.

INSTALLATION INSTRUCTIONS

Unpacking

1. Empty the microwave oven of any packing materials.
2. Clean the inside with a soft, damp cloth.
3. Check for damage, such as:
 - A door that is not lined up correctly,
 - Damage around the door, or
 - Dents on the interior or exterior of the microwave oven.If there is any damage, do not operate the microwave oven until a designated service technician has checked it and made any needed repairs.

NOTE: To avoid damage to the microwave oven, do not remove microwave inlet cover. See the “Parts and Features” section.

Location Requirements

⚠ WARNING

Excessive Weight Hazard

Use two or more people to move and install microwave oven.

Failure to do so can result in back or other injury.

IMPORTANT: The control side of the microwave oven is the heavy side. Handle the microwave oven gently. The weight of the microwave oven is over 35 lbs (15.9 kg).

- Place the microwave oven on a cart, counter, table, or shelf that is strong enough to hold the microwave oven and the food and utensils you place inside it.
- The microwave oven should be at a temperature above 50°F (10°C) for proper operation.

NOTE: Some models can be built into a wall or cabinet by using one of the trim kits listed in the “Assistance or Service” section.

- Do not block the exhaust vents or air intake openings. Allow a few inches of space at the back and side of the microwave oven where the exhaust vents are located. Blocking the exhaust vents could cause damage to the microwave oven as well as poor cooking results.
- Make sure the microwave oven legs are in place to ensure proper airflow. If vents are blocked, a sensitive thermal device may automatically turn the microwave oven off. The microwave oven should work properly once it has cooled.

Electrical Requirements

⚠ WARNING



Electrical Shock Hazard

Plug into a grounded 3 prong outlet.

Do not remove ground prong.

Do not use an adapter.

Do not use an extension cord.

Failure to follow these instructions can result in death, fire, or electrical shock.

Observe all governing codes and ordinances.

Required:

- A 120 V, 60 Hz, AC only, 15 A or 20 A electrical supply with a fuse or circuit breaker.

Recommended:

- A time-delay fuse or time-delay circuit breaker.
- A separate circuit serving only this microwave oven.

GROUNDING INSTRUCTIONS

■ For all cord connected appliances:

The microwave oven must be grounded. In the event of an electrical short circuit, grounding reduces the risk of electric shock by providing an escape wire for the electric current. The microwave oven is equipped with a cord having a grounding wire with a grounding plug. The plug must be plugged into an outlet that is properly installed and grounded.

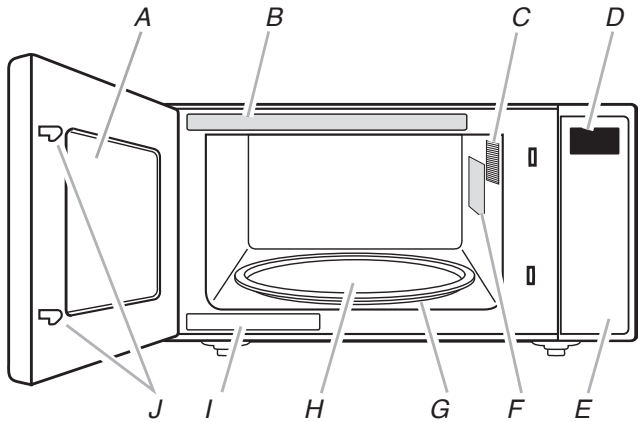
WARNING: Improper use of the grounding plug can result in a risk of electric shock. Consult a qualified electrician or serviceman if the grounding instructions are not completely understood, or if doubt exists as to whether the microwave oven is properly grounded.

Do not use an extension cord. If the power supply cord is too short, have a qualified electrician or serviceman install an outlet near the microwave oven. A short power supply cord is provided to reduce the risks resulting from becoming entangled in or tripping over a longer cord.

SAVE THESE INSTRUCTIONS

PARTS AND FEATURES

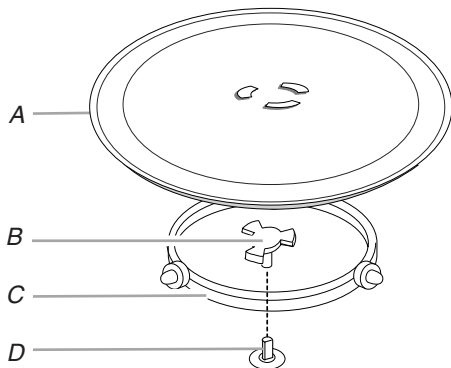
This manual may cover several different models. The model you have purchased may have some or all of the features shown here. The appearance of your particular model may differ slightly from the illustrations in this manual.



- A. Window
- B. Cooking guide label
- C. Microwave oven light
- D. Display
- E. Control panel
- F. Microwave inlet cover*
- G. Removable turntable support
- H. Glass turntable
- I. Model and serial number plate
- J. Door lock system

***NOTE:** To avoid damage to the microwave oven, do not remove microwave inlet cover. See the "Parts and Features" section.

Turntable



- A. Turntable
- B. Hub
- C. Support
- D. Shaft

The turntable can rotate in either direction to help cook food more evenly. For best cooking results, do not operate the microwave oven without having the turntable in place. See the "Assistance or Service" section to reorder any of the parts.

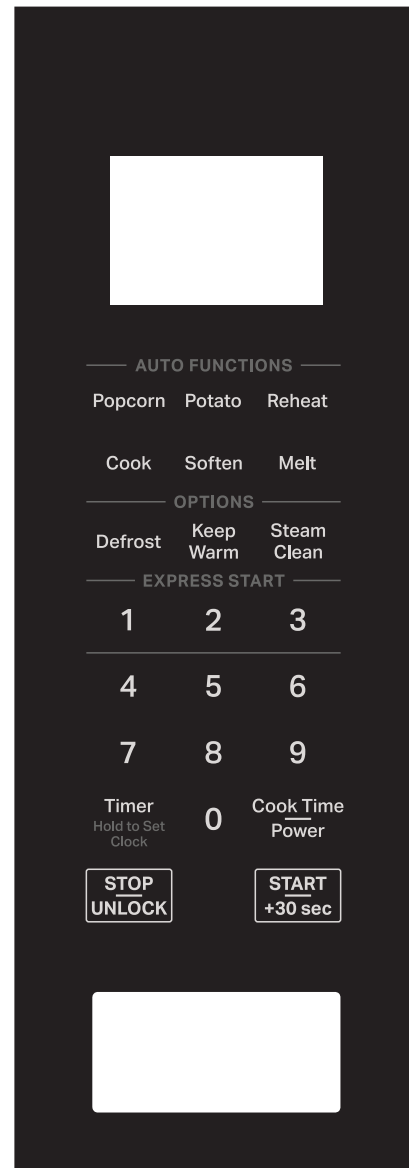
To Install:

1. Place the support on the microwave oven cavity bottom.
2. Place the turntable on the support.
Fit the raised, curved wedges in the center of the turntable bottom between the three spokes of the hub. The rollers on the support should fit inside the turntable bottom ridge.

MICROWAVE OVEN CONTROL

Melt Soften POWER

Defrost					Reheat Menu
Keep Warm		99:99			Qty
Tone ON/OFF					Stick
Microwave					Lbs Weight-Lbs
					Oz Weight-Ounce
					Door Lock
					Cook Menu
					Timer/ Clock
					Steam Clean



Keypad Instructions

Keypad	Feature	Instructions
Timer (Hold to Set Clock)	Hold to Set the Clock	<p>To set the clock, follow the instructions below:</p> <ol style="list-style-type: none"> 1. Press Timer for 3 seconds to enter the clock setting. 2. Press the keypad 0-9 button to set desired time.. 3. Press START/+30 sec button. <p>NOTE: The microwave oven must be in standby. It will also appear every time the product is plugged in. The screen shows “12 Hr” (“12” flashing). Press Timer button to change 12 or 24 hour format, press START to confirm; then the screen shows “12:00”.</p>
Timer (Hold to Set Clock)	Set Kitchen Timer	<p>The kitchen timer functions like a stop watch. To set the kitchen timer, following the instructions below:</p> <ol style="list-style-type: none"> 1. Press Timer button. 2. Press the keypad 0-9 button to enter desired time. 3. Press START/+30 sec button. <p>NOTE: While the Timer countdown is active in the display, touch STOP/UNLOCK to stop the Timer. The timer does not start or stop the microwave oven.</p>
START +30 sec	Add 30 Seconds	<p>The button START can be used in two ways:</p> <ol style="list-style-type: none"> 1. To start the microwave by cooking for 30 seconds with full power in standby mode. 2. To increase a cooking time using increments of 30 seconds. Each press adds 30 seconds.
START +30 sec	Start Function	<p>Press the START button to start any cooking function. If cooking is interrupted by opening the door, touch the START button after the door is closed again to resume the cycle.</p>
STOP/UNLOCK	Microwave Pause/Stop Function	<p>The STOP/UNLOCK button stops any microwave oven function except for the clock.</p> <p>The microwave oven will also turn off when the door is opened. When the door is opened, the element(s) will turn off, but the microwave oven light will remain on. Close the door and touch the START button to resume the preset cycle.</p>

Keypad	Feature	Instructions
STOP/UNLOCK	2-Step Door Opening	<p>This microwave comes with the added feature of a 2-step door opening functionality to avoid unintended access.</p> <p>The STOP/UNLOCK button can be used to pause/cancel the function during or after cook time.</p> <p>The STOP/UNLOCK button can be used for 2-step door opening:</p> <ol style="list-style-type: none"> Once you set the cooking time and press the START button, the Door Lock icon will appear on the display. To open the microwave: <ul style="list-style-type: none"> Press STOP/UNLOCK. Press door release button. <p>NOTE: Once you press the STOP/UNLOCK button to stop/pause any function, the Door Lock icon will disappear for 10 seconds and you will be able to press the door release button to open the door.</p> <p>The Door Lock icon will reappear after 10 seconds and require you to repeat steps 1 and 2 to open the door.</p> <p>NOTE: When the machine is powered on after plug-in, the 2-Step Door function will not be triggered. If a cooking cycle starts after the door closes, then 2 steps are required to open the door. Once the 2 steps have been used to open the door, if the door closes and no cooking power is applied, then you can open the door by just pressing the door release button.</p> <p>NOTE: This microwave comes with the added feature of a 2-step door opening functionality to avoid unintended access. When children do not have access to the appliance, there is a disable function if the 2-step functionality is not needed.</p> <p>Disable/Enable 2-step door function operation on the display</p> <p>Steps to disable the 2-step door function operation:</p> <ol style="list-style-type: none"> After pressing the STOP/UNLOCK button for 3 seconds, “DI:_0” will show on the display. After pressing the “0” button, “DI:_1” will show on the display. Press the START/+30 sec button to confirm. <p>NOTE: DI (Disable)</p> <p>NOTE: If you unplug the microwave, it will remember the last operation. You will not need to disable or enable the 2 step door function again.</p> <p>Steps to enable the 2-step door function operation:</p> <ol style="list-style-type: none"> After pressing the STOP/UNLOCK button for 3 seconds, “EA:_0” will show on the display. After pressing the “0” button, “EA:_1” will show on the display. Press the START/+30 sec button to confirm. <p>NOTE: EA (Enable)</p> <p>IMPORTANT: Disabling this feature should only be done when the owner is certain and children are not present.</p>
0-9	Keypad Number Express Start	<ol style="list-style-type: none"> User can press 0-9 keypad number to select cook time, food class, food weight under relevant functions. In standby mode, press the keypad button 1 or 2 or 3, the microwave oven at 100% power for 1 min, 2 min, 3 min of cook time directly. No need to press START/+30 sec button to confirm.
Cook Time/Power	Set Manual Cooking	<p>Press “Cook Time/Power” button to set manual cooking. For example, to set the time to 2:30 in 90% power:</p> <ol style="list-style-type: none"> Press “Cook Time/Power” button, “00:00” will show on the display. Press the keypad 0-9 button to adjust the cooking time to “2:30”. <p>NOTE: Press START button directly after step 2, oven will start cooking with 100% power level as default.</p> <ol style="list-style-type: none"> Press the “Power Level” button again, P100 will show on the display. Press keypad 0-9 button to decrease power level to 90% (P90 on display). Press START button.

Keypad	Feature	Instructions
Defrost	Defrost Menu	<p>The Defrost function helps that frozen food. To defrost, follow the instructions below:</p> <ol style="list-style-type: none"> 1. Press “Defrost” button, P01 will show on display. 2. Press “Defrost” button or keypad 0-9 button to select Manual defrost or the desired food class, P01...P04. 3. Press START button to confirm. <p>P01-Manual Defrost</p> <ol style="list-style-type: none"> 4. Time “00:30” will shown on the display 5. Press keypad 0-9 button to adjust defrost cooking time. 6. Press START button. <p>P02-P05</p> <ol style="list-style-type: none"> 4. Display will show the default weight. 5. Press keypad 0-9 button to adjust desired weight. 6. Press START button. <p>NOTE: See the “Defrost Menu” section in page #15 of this guide for food category or reference sticker on the front plate of the microwave which you can see it after opening the oven door.</p>
Reheat	Reheat Menu	<p>To reheat using preset functions, follow the instructions</p> <ol style="list-style-type: none"> 1. Press “Reheat” button, the “P01” will show on the display. 2. Press “Reheat” button or keypad 0-9 button to select the food class, P01...P04. 3. Press START button. <p>NOTE: See the “Reheat Menu” section in page #14 of this guide for the food category or reference sticker on the front plate of the microwave which you can see it after opening the oven door.</p> <ol style="list-style-type: none"> 4. Sensor Cooking (except Sauce, Soap and Beverage): A sensor in the microwave oven detects humidity released from the food as it heats and adjusts the cook time accordingly. (For non-sensor cooking, the display will show the default weight. Press the keypad 0-9 button to adjust desired weight. Press the START button).
Popcorn	Popcorn	<p>To use the popcorn preset, follow the instructions below:</p> <ol style="list-style-type: none"> 1. Press “Popcorn” button repeatedly to select the bag size (3.0 or 3.5 oz). 2. Press START button.
Potato	Potato cooking	<p>To use the potato preset, follow the instructions below:</p> <ol style="list-style-type: none"> 1. Press “Potato” button repeatedly to select L (Large) or S (Small) potato size. 2. Press START to confirm, press keypad 0-9 to adjust quantity. 3. Press START button.

Keypad	Feature	Instructions
Cook	Cook Menu	<p>To use auto cook presets, follow the instructions below:</p> <ol style="list-style-type: none"> 1. Press “Cook” button, the “P01” will show on the display. 2. Press “Cook” button or keypad 0-9 button to select a food class, P01...P04. 3. Press START button. 4. Sensor Cooking: A sensor in the microwave oven detects humidity released from the food as it heats and adjusts the cook time accordingly. (For non-sensor cooking, the display will show the default weight. Press the keypad 0-9 button to adjust desired weight. Press the START button). <p>NOTE: See the “Cook Menu” section in page #13 of this guide for the food category or reference sticker on the front plate of the microwave which you can see it after opening the oven door</p>
Soften	Soften Menu	<p>The Soften function is used to soften food. To use:</p> <ol style="list-style-type: none"> 1. Press “Soften”, the display will show “P01”. 2. Use “Soften Menu” button or keypad 0-9 button to select a food category. Press START button to confirm. 3. Use keypad 0-9 button to adjust the quantity. 4. Press START button. <p>NOTE: See the “Soften Menu” section in page #14 of this guide for the food category or reference sticker on the front plate of the microwave which you can see it after opening the oven door.</p>
Melt	Melt Menu	<p>The Melt function is used to melt food. To use:</p> <ol style="list-style-type: none"> 1. Press “Melt”, the display will show “P01”. 2. Use “Melt” button or keypad 0-9 button to select a food category. Press START button to confirm. 3. Use keypad 0-9 button to adjust the quantity. 4. Press START button. <p>NOTE: See the “Melt Menu” section in page #14 of this guide for the food category or reference sticker on the front plate of the microwave which you can see it after opening the oven door.</p>
Keep Warm	Keep Warm	<p>The function allows to keep your dishes warm. To use:</p> <ol style="list-style-type: none"> 1. Press “Keep Warm” button, default time “30:00” will show on the display. 2. Press “Keep Warm” or keypad 0-9 button button to select 15 min, 30 min, 45 min, or 60 min. 3. Press START button. <p>NOTE: The Keep Warm cycle last for a duration of 15 minutes (default 30 minutes), the maximum time is 60 minutes. Each 15 minutes cycle, microwave will be turned on 1.5 minutes, then cavity lamp and fan are off, only the countdown time is shown.</p>
Steam Clean	Auto cleaning cycle	<p>The cleaning cycle will help to clean the microwave oven cavity.</p> <ol style="list-style-type: none"> 1. Place 1 cup of water (~250 mL) on the middle of the cavity. 2. Press “Steam Clean” button, default “13:00” time will show on display. 3. Press START button to start the function. (After finishing the water heat-up cycle (3 minutes), the cavity lamp and fan will be off, the countdown time is shown.) <p>NOTE: See the “Steam Clean” section in page #15 of this guide and follow Tips and Suggestions accordingly.</p>
Tone ON/OFF	Turn on or off beep sound	<p>The function allows to turn on or off the beep sound:</p> <ol style="list-style-type: none"> 1. Press Keep Warm button and hold for 3 seconds to put into mute, the Tone Off icon will be shown on display. 2. Hold the button again for 3 seconds to turn on the sound.

Display

When power is first supplied to the microwave oven, "12 Hr" will appear in the display. User can press TIMER/Clock button to toggle between 12 Hr or 24 Hr within 10 seconds..

Press START button to confirm. If the "12:00" appears in the display at any other time, a power failure has occurred. Reset the clock if needed. See the "Clock" section.

Standby mode

When no functions are being used, the microwave oven will switch to Standby mode.

After function selection, press the STOP/UNLOCK key to exit the function selection. If you again press the STOP/UNLOCK button, an invalid beep sounds.

When cooking mode is activated, press STOP/UNLOCK button to pause the relevant cooking mode, press the STOP/UNLOCK button again to cancel the function and return to Standby mode.

START

After function selection completed, press START button to start cooking mode. If non-sensor cooking is interrupted by opening the door, pressing START button will resume the cycle.

NOTE: To avoid unintentional operation of the microwave oven, a cooking function cannot be started if the microwave oven door has been closed for about 1 minute. The word "door" will appear in the display until the door is opened and closed.

Quick Start/Add 30 seconds

In standby mode, pressing START automatically starts the microwave oven at 100% power for 30 seconds and adds 30 seconds of cook time, with each additional touch of the control. Time may be added to any manual cooking cycle in 30 second increments, at the moment power level, by pressing START button during cooking.

Express Start

Press the keypad number 1 or 2 or 3, the microwave oven at 100% power for 1 min, 2 min, 3 cooking time directly. No need to press START button to confirm.

NOTE: The function can be active only in standby mode. The microwave oven will alert user with invalid input sound if press key 4, 5, 6, 7, 8, 9, 0.

STOP/UNLOCK

The STOP/UNLOCK button clears any incorrect command and cancels any program during cooking. Press the STOP/UNLOCK button to stop the cycle. It will not erase the time of day.

The microwave oven will also turn off when the door is opened. Close the door and press START to resume the cycle.

To use Non-Sensor Menu (Popcorn, Potato)

1. Place food on the turntable and close the door.
2. Touch desired menu control. The first programmed amount will appear in the display. Touch control keypad repeatedly or touch number keypads to change quantity.
3. Touch START. When the cycle ends, "END" will appear in the display and the end-of-cycle tone will sound.
4. Touch STOP/UNLOCK or open the door to clear the display.

Clocks

The microwave oven must be in standby.

1. Press Timer for 3 seconds to enter the clock setting.
 2. Press the keypad 0-9 button to set desired time.
 3. Press START/+30 sec button
-

Timer

To Set:

1. Press Timer button
2. Press keypad 0-9 button to enter desired time.
3. Press START button. When the set time ends, the end-of-timer.
4. When the timer countdown on the display is completed, tone will sound. Press STOP/UNLOCK to stop the timer.

NOTE: The Timer does not start or stop the microwave oven. The function can be set only in Standby mode.

Tones ON/OFF

This function allows the user to activate/deactivate all the sounds played by the appliances, includes button press, warnings, alarm, even end audio feedback.

Press Keep Warm button and hold for 3 seconds to put into mute, hold the button again for 3 seconds to turn on the sound.

Cooking End

When the cooking is finished, the display will show the text "END". A reminder acoustic beep will signal.

1. After the Cooking End, If you press the STOP/UNLOCK button, takes out the food and closes the door again, the interface will display the clock, it will switch to 1-step door opening.
 2. If you will not remove the food within 30 minutes, it will consistently display "END" for 30 minutes, and automatically return to standby mode and unlock after 30 minutes and it will switch to 1-step door opening.
-

To use Sensor Menu (Dinner Plate/Reheat, Cook Menu)

1. Place food on the turn table and close the door.
2. Touch the desired menu control.
3. Press START, the running segment animation will appear in the display. The microwave oven will start and sensor cooking will begin.

The running segment will remain in the display until the sensor has determined the remaining cook time.



4. When the cycle end, "END" will appear in the display and the end-of-cycle tones will sound.
 5. Touch STOP/UNLOCK or open the door to clear the display.
- (Note:** Sauce, Soup, Beverage in Reheat Menu without using Sensor cooking).

MICROWAVE OVEN USE

A magnetron in the microwave oven produces microwaves which reflect off the metal floor, walls, and ceiling and pass through the turntable and appropriate cookware to the food. Microwaves are attracted to and absorbed by fat, sugar, and water molecules in the food, causing them to move, producing friction and heat which cooks the food.

- To avoid damage to the microwave oven, do not lean on or allow children to swing on the microwave oven door.
- To avoid damage to the microwave oven, do not operate microwave oven when it is empty.
- Baby bottles and baby food jars should not be heated in microwave oven.
- Clothes, flowers, fruit, herbs, wood, gourds, and paper, including brown paper bags and newspaper, should not be dried in the microwave oven.
- Paraffin wax will not melt in the microwave oven because it does not absorb microwaves.
- Use oven mitts or pot holders when removing containers from microwave oven.
- Do not overcook potatoes. At the end of the recommended cook time, potatoes should be slightly firm. Let potatoes stand for 5 minutes. They will finish cooking while standing.
- Do not cook or reheat whole eggs inside the shell. Steam buildup in whole eggs may cause them to burst, requiring significant cleanup of microwave oven cavity. Cover poached eggs and allow a standing time.

Food Characteristics

When microwave cooking, the amount, size and shape, starting temperature, composition, and density of the food affect cooking results.

Amount of Food

The more food heated at once, the longer the cook time needed. Check for doneness and add small increments of time if necessary.

Size and Shape

Smaller pieces of food will cook more quickly than larger pieces, and uniformly shaped foods cook more evenly than irregularly shaped food.

Starting Temperature

Room temperature foods will heat faster than refrigerated foods, and refrigerated foods will heat faster than frozen foods.

Composition and Density

Foods high in fat and sugar will reach a higher temperature and will heat faster than other foods. Heavy, dense foods, such as meat and potatoes, require a longer cook time than the same size of a light, porous food, such as cake.

Cooking Guidelines

Covering

Covering food helps retain moisture, shorten cook time, and reduce spattering. Use the lid supplied with cookware. If a lid is not available, wax paper, paper towels, or plastic wrap approved for microwave ovens may be used. Plastic wrap should be turned back at one corner to provide an opening to vent steam. Condensation on the door and cavity surfaces is normal during heavy cooking.

Stirring and Turning

Stirring and turning redistribute heat evenly to avoid overcooking the outer edges of food. Stir from outside to center. If possible, turn food over from bottom to top.

Arranging

If heating irregularly shaped or different-sized foods, arrange the thinner parts and smaller-sized items toward the center. If cooking several items of the same size and shape, place them in a ring pattern, leaving the center of the ring empty.

Piercing

Before heating, use a fork or small knife to pierce or prick foods that have a skin or membrane, such as potatoes, egg yolks, chicken livers, hot dogs, and sausage. Prick in several places to allow steam to vent.

Shielding

Use small, flat pieces of aluminum foil to shield the thin pieces of irregularly shaped foods, bones and foods such as chicken wings, leg tips, and fish tails. See the "Aluminum Foil and Metal" section first.

Standing Time

Food will continue to cook by the natural conduction of heat even after the microwave cooking cycle ends. The length of standing time depends on the volume and density of the food.

Cookware and Dinnerware

Cookware and dinnerware must fit on the turntable. Always use oven mitts or pot holders when handling because any dish may become hot from heat transferred from the food. Do not use cookware and dinnerware with gold or silver trim. Use the following chart as a guide, then test before using.

Material	Recommendations
Aluminum Foil, Metal	See the "Aluminum Foil and Metal" section.
Browning Dish	Bottom must be at least 3/16" (5 mm) above the turntable. Follow manufacturer's recommendations.
Ceramic Glass, Glass	Acceptable for use
China, Earthenware	Follow manufacturer's recommendations.
Melamine	Follow manufacturer's recommendations.
Paper: Towels, Dinnerware, Napkins	Use non-recycled and those approved by the manufacturer for microwave oven use.
Plastic: Wraps, Bags, Covers, Dinnerware, Containers	Use those approved by the manufacturer for microwave oven use.
Pottery and Clay	Follow manufacturer's recommendations.
Silicone Bakeware	Follow manufacturer's recommendations.
Straw, Wicker, Wooden Containers	Do not use in microwave oven.
Wax Paper	Acceptable for use

To Test Cookware or Dinnerware for Microwave Use:

1. Place cookware or dinnerware in microwave oven with 1 cup (250 mL) of water beside it.
2. Cook at 100% cooking power for 1 minute.

Do not use cookware or dinnerware if it becomes hot and the water stays cool.

Aluminum Foil and Metal

Always use oven mitts or pot holders when removing dishes from the microwave oven.

Aluminum foil and some metal can be used in the microwave oven. If not used properly, arcing (a blue flash of light) can occur and cause damage to the microwave oven.

OK for Use

Racks and bakeware supplied with the microwave oven (on some models), aluminum foil for shielding, and approved meat thermometers may be used with the following guidelines:

- To avoid damage to the microwave oven, do not allow aluminum foil or metal to touch the inside cavity walls, ceiling, or floor.
- Always use the turntable.
- To avoid damage to the microwave oven, do not allow contact with another metal object during microwave cooking.

Do Not Use

Metal cookware and bakeware, gold, silver, pewter, non-approved meat thermometers, skewers, twist ties, foil liners such as sandwich wrappers, staples, and objects with gold or silver trim or a metallic glaze should not be used in the microwave oven.

Cook Menu

The microwave oven has been programmed with common microwave foods, relevant quantity, cook power, and cook time. Use the following chart as a guide for preset cooking.

Item	Food Category	Quantity
P1	Fresh Vegetables From room temperature. Put food into microwave safe dish. Add 2 tablespoons water to 1-2 cups, add 4 tablespoons water to 3-4 cups. Cover the dish, leaving an air ventilation. Stir and let stand 2-3 minutes after cooking.	1-4 cups (Sensor cooking)
P2	Frozen Vegetables From frozen temperature. Place in microwave-safe container. Add 2 tablespoons water to 1-2 cups, add 4 tablespoons water to 3-4 cups. Cover the dish, leaving an air ventilation. Stir and let stand 3 minutes after cooking.	1-4 cups (Sensor cooking)
P3	Oatmeal Place in microwave-safe container and add water depends on package directions adds water cover with plastic wrap and fold back one edge about 1/4" (6 mm) to make a vent. Place container in the center of the oven. After cooking stir with spoon or whisk until uniform.	1-4 cups (Sensor cooking)
P4	Frozen Entrée Remove entrée from package and loosen film covering on 3 sides of the container leaving one of the short sides still attached. Loosely cover with film.	10 oz, 20 oz (Sensor cooking)

Popcorn

3.0 or 3.5 oz bags.

- Do not use regular paper bags or glassware.
- Pop only one package of popcorn at a time.
- Follow manufacturer's instructions when using a microwave popcorn popper.
- Listen for popping to slow to one pop every 1 or 2 seconds, and then stop the cycle.
- Do not reppop unpopped kernels.
- For best results, use fresh bags of popcorn.
- Cooking results may vary by brand and fat content.

NOTE: Follow the instructions provided by the microwave popcorn manufacture.

Potato

Item	Food Category	Quantity
L-Large	Enter 1-4 pieces, 8-10 oz (227-283 g) each. Pierce each potato several times with a fork. Place on paper towel on turntable center. Let stand 5 minutes after cooking.	1, 2, 3, 4 pieces/ 1 piece
S-Small Potato	Enter 1-16 pieces, 4-7 oz (110-200 g) each. Pierce each potato several times with a fork. Place on paper towel on turntable center. Let stand 5 minutes after cooking.	1-16 pieces/1 piece

Reheat Menu

Time and cooking power have been preset for reheating a number of food types.

Use the following chart as a guide.

Item	Food Category	Quantity
P1	Dinner plate Place food on plate. Cover with plastic wrap and vent. Let stand 2-3 minutes after reheating.	10-15 oz (283-425 g) (Sensor Cooking)
P2	Sauce Place in microwave-safe container. Cover with plastic wrap and vent. Stir and let stand 2-3 minutes after reheating.	1, 2, 3, 4 cups
P3	Soup Place in microwave-safe container. Cover with plastic wrap and vent. Stir and let stand 2-3 minutes after reheating.	1, 2, 3, 4 cups
P4	Beverage Do not cover.	1, 2, 3, 4 cups
P5	Reheat Pizza Place on paper towel lined microwave-safe plate.	1-3 sliced, 4 oz (113 g) per slice (Sensor cooking)

Soften Menu

Soften function may be used to soften your food. Time and cooking power have been preset for a number of food types. Use the following chart as a guide.

Item	Food Category	Quantity
P1	Butter Unwrap and place in microwave-safe container.	0.5-2.0 sticks/0.5 stick
P2	Ice-cream Place ice-cream container on turntable.	16-64 oz/16 oz (454 g-1.8 kg/454 g)
P3	Cream Cheese Unwrap and place in microwave-safe container.	3 oz, 8 oz (85 g, 227 g)
P4	Brown Sugar Place in microwave-safe container.	3 oz, 8 oz (85 g, 227 g)
P5	Frozen Juice Remove lid.	8 oz, 12 oz (227 g, 340 g)
P6	Caramel Dip Remove lid from caramel dip and place in center of microwave oven.	8-16 oz/8 oz (227 g, 454 g)

Melt Menu

Melt function may be used to melt your food. Time and cooking power have been preset for a number of food types. Use the following chart as a guide.

Item	Food Category	Quantity
P1	Butter Unwrap and place in microwave-safe container.	0.5-2.0 sticks/ 0.5 stick
P2	Chocolate Chips Place in microwave-safe container.	4-12 oz/4 oz (113-340 g/113 g)
P3	Cheese Unwrap and place in microwave-safe container.	8 oz, 16 oz (227 g, 454 g)
P4	Caramel Dip Unwrap and place in microwave-safe container.	8 oz, 16 oz (227 g, 454 g)

Defrost Menu

- For optimal result, food should be 0°F (-18°C) or colder when defrosting.
- Unwrap foods and remove lids (from fruit juice) before defrosting.
- Shallow packages will defrost more quickly than deep blocks.
- Separate food pieces as soon as possible during or at the end of the cycle for more even defrosting.
- Foods left outside the freezer for more than 20 minutes or frozen ready-made food should not be defrosted using the Defrost feature but should be defrosted manually.
- Use small pieces of aluminum foil to shield parts of food such as chicken wings leg tips, and fish tails. See the 'Aluminum Foil and Metal' section first.
- Time and cooking power have been preset for defrosting a number of food types.

Item	Food Category	Weight
P1 (Manual Defrost)	-	-
P2	Poultry	0.2 lbs-6.6 lbs/0.1 lbs
P3	Meat	0.2 lbs-6.6 lbs/0.1 lbs
P4	Fish	0.2 lbs-6.6 lbs/0.1 lbs

DEFROST PREPARATION CHART

POULTRY

Chicken: whole and cut up
Cornish hens
Turkey: breast

Place in a microwave safe container, chicken breast side up. Remove giblets from whole chicken.

MEAT

Beef: ground, steaks, roast, stew
Lamb: stew and chops
Pork: chops, ribs, roasts, sausage

The narrow or fatty areas of irregular-shaped cuts should be shielded with foil before defrosting.
 Do not defrost less than 1/4 lb (113 g) or two 4 oz (113 g) patties.
 Place all meats in a microwave-safe container.

FISH

Fillets, Steaks, Whole, Shellfish

Place in a microwave-safe container.

Steam Clean

This automatic cleaning cycle will help you to clean the microwave oven cavity and to remove unpleasant odors.

Before starting the cycle:

1. Put 250 mL water into a container (see our recommendations in the below section "Tips and suggestions").
2. Place the container directly on the middle of the cavity.

To Start The Cycle:

1. Press the Steam Clean button, the cleaning cycle duration will be visible on the display.
2. Press the START button to start the function.

When The Cycle Is Finished:

1. Press the STOP/UNLOCK button.
2. Remove the container.
3. Use a soft cloth or a paper towel with mild detergent to clean the interior surfaces.

Tips and suggestions:

For a better cleaning result, it is recommended to use a container with a diameter of 17-20 cm, and a height that is lower than 6.5 cm.

It is recommended to use a container of light plastic material that is suitable for the microwave.

As the container will be hot after the cleaning cycle is completed, it is recommended to use a heat resistant glove when removing the container from the microwave.

For a better cleaning effect and removal of unpleasant odors, add some lemon juice or vinegar to the water.

Keep Warm

This function allows you to keep your dishes warm.

1. Touch "Keep Warm" button.
2. Press keypad 0-9 button to select suitable time, then press START/+30 sec button to start. Default time is 30 minutes, maximum time is 60 minutes.

Food	Weight Container	Temperature	Container
Tuna	4 cups	165°F (73.8°C)	Microwave safe dish
Noodle	(880 g)		
Casserole			

MICROWAVE OVEN USE

General Cleaning

IMPORTANT: Before cleaning, make sure all controls are off and the microwave oven is cool. Always follow label instructions on cleaning products.

Soap, water, and a soft cloth or sponge are suggested unless otherwise noted.

MICROWAVE OVEN CAVITY

To avoid damage to the microwave oven cavity, do not use soap-filled scouring pads, abrasive cleaners, steel-wool pads, gritty washcloths, or some recycled paper towels.

To avoid damage to stainless steel models, rub in direction of grain.

The area where the microwave oven door and frame touch when closed should be kept clean.

Average soil

- Mild, nonabrasive soaps and detergents:
Rinse with clean water and dry with soft, lint-free cloth.

Heavy soil

- Mild, nonabrasive soaps and detergents:
Heat 1 cup (250 mL) of water for 2 to 5 minutes in microwave oven. Steam will soften soil. Rinse with clean water and dry with soft, lint-free cloth.

Odors

- Lemon juice or vinegar:
Heat 1 cup (250 mL) of water with 1 tbs (15 mL) of either lemon juice or vinegar for 2 to 5 minutes in microwave oven.

Microwave Inlet Cover

To avoid arcing and microwave oven damage, the microwave inlet cover (see the “Parts and Features” section) should be kept clean.

- Wipe with wet cloth.

MICROWAVE OVEN DOOR AND EXTERIOR

The area where the microwave oven door and frame touch when closed should be kept clean.

- Mild, nonabrasive soaps and detergents:
Rinse with clean water and dry with soft, lint-free cloth.
- Glass cleaner and paper towels or nonabrasive plastic scrubbing pad:
Apply glass cleaner to towel, not directly to surface.

Stainless Steel (on some models)

To avoid damage to microwave oven door and exterior, do not use soap-filled scouring pads, abrasive cleaners, steel-wool pads, gritty washcloths, or some paper towels. Rub in direction of grain.

- Stainless steel cleaner (not included):
See “Assistance or Service” section to order.
- Liquid detergent or all-purpose cleaner:
Rinse with clean water and dry with soft, lint-free cloth.
- Vinegar for hard water spots

CONTROL PANEL

- Sponge or soft cloth and water:
Dampen sponge with water and wipe panel. Dry with soft cloth.
- To avoid damage to the control panel, do not use chemical or abrasive cleansers.

TURNTABLE

Replace turntable immediately after cleaning. Do not operate the microwave oven without the turntable in place.

- Mild cleanser and scouring pad
- Dishwasher

TROUBLESHOOTING

First try the solutions suggested here. If you need further assistance or more recommendations that may help you avoid a service call, refer to the warranty or visit www.kitchenaid.com/owners. In Canada, visit www.kitchenaid.ca/owners.

Contact us by mail with any questions or concerns at the address below:

In the U.S.A.:

KitchenAid Brand Home Appliances
Customer eXperience Center
553 Benson Road
Benton Harbor, MI 49022-2692

In Canada:

KitchenAid Brand Home Appliances
Customer eXperience Center
200 – 6750 Century Ave.
Mississauga, Ontario L5N 0B7

Please include a daytime phone number in your correspondence.

If you experience	Recommended Solutions
Nothing will operate	<p>Check the following:</p> <ul style="list-style-type: none">■ Household fuse or circuit breaker: If a household fuse has blown or a circuit breaker has tripped, replace the fuse or reset the circuit breaker. If the problem continues, call an electrician.
Microwave oven will not operate	<p>Check the following:</p> <ul style="list-style-type: none">■ Magnetron: Try to heat 1 cup (250 mL) of cold water for 2 minutes at 100% cooking power. If water does not heat, try the steps in the bullets below. If microwave oven still does not operate, call for service.■ Door: Firmly close door. On some models, if a packaging spacer is attached to the inside of the door, remove it, then firmly close door. If a message about the door appears in the display, the door has been closed for 5 minutes or more without the microwave oven being started. This occurs to avoid unintended starting of the microwave oven. Open and close the door, then start the cycle.■ STOP/UNLOCK: Make sure STOP/UNLOCK is OFF. Make sure Demo mode (on some models) is OFF.
Microwave oven makes humming noise	<ul style="list-style-type: none">■ This is normal and occurs when the power supply in the magnetron cycles on.
Microwave oven door looks wavy	<ul style="list-style-type: none">■ This is normal and will not affect performance.
Turntable will not operate	<p>Check the following:</p> <ul style="list-style-type: none">■ Turntable: Make sure turntable is correct side up and is sitting securely on the turntable support. See the “Turntable” section.■ Turntable support: Remove turntable. Remove and clean turntable hub, support, and rollers. Replace hub, support, and turntable. Place 1 cup (250 mL) of water on the turntable, then restart microwave oven. If it still is not working, call for service. See the “Warranty” section. Do not operate the microwave oven without turntable and turntable support working properly.
Turntable alternates rotation directions	<ul style="list-style-type: none">■ This is normal and depends on motor rotation at the beginning of the cycle.
Display shows messages	<ul style="list-style-type: none">■ A flashing “0:00” means there has been a power failure. Reset the clock.
Display shows time countdown, but the microwave oven is not operating	<p>Check the following:</p> <ul style="list-style-type: none">■ Timer: See the “Timer” section.
Tones are not sounding	<p>Check the following:</p> <ul style="list-style-type: none">■ Tones: See the “Tones” section.
Cooking times seem too long	<p>Check the following:</p> <ul style="list-style-type: none">■ Cooking power: See the “Microwave Cooking Power” section.■ Amount of food: Larger amounts of food need longer cooking times.■ Voltage: Have a qualified electrician check the electrical system in the home.
Radio, TV, or cordless phone interference	<p>Check the following:</p> <ul style="list-style-type: none">■ Proximity: Move the receiver away from the microwave oven or adjust the radio or TV antenna. If the microwave oven is plugged into the same outlet, try a different outlet for the electronic device.■ Soil: Make sure the microwave oven door and sealing surfaces are clean.■ Frequency: Some 2.4 GHz based cordless phones and home wireless networks may experience static or noise while microwave oven is ON. Use a corded phone, a different frequency cordless phone, or avoid using these items during microwave oven operation.

ASSISTANCE OR SERVICE

If you need service:

For information on warranty, please visit www.kitchenaid.com/owners.

If you need replacement parts:

If you need to order replacement parts, we recommend that you use only factory specified parts. These factory specified parts will fit right and work right because they are made with the same precision used to build every new KitchenAid appliance.

To locate factory specified parts in your area, call us or your nearest KitchenAid designated service center.

In the U.S.A.

Call the Whirlpool Customer eXperience Center toll-free: **1-800-422-1230** or visit our website at www.kitchenaid.com/owners.

Our consultants provide assistance with:

- Scheduling of service. Whirlpool appliances designated service technicians are trained to fulfill the product warranty and provide after-warranty service anywhere in the United States.
- Features and specifications on our full line of appliances.
- Referrals to local Whirlpool appliance dealers.
- Installation information.
- Use and maintenance procedures.
- Accessory and repair parts sales.
- Specialized customer assistance (Spanish speaking, hearing impaired, limited vision, etc.).

For further assistance:

If you need further assistance, you can write to Whirlpool with any questions or concerns at:

KitchenAid Brand Home Appliances
Customer eXperience Center
553 Benson Road
Benton Harbor, MI 49022-2692

Please include a daytime phone number in your correspondence.

In Canada

Call the Whirlpool Customer eXperience Center toll-free: **1-800-807-6777** or visit our website at www.kitchenaid.ca/owners.

Our consultants provide assistance with:

- Scheduling of service. Whirlpool appliances designated service technicians are trained to fulfill the product warranty and provide after-warranty service anywhere in Canada.
- Features and specifications on our full line of appliances.
- Referrals to local Whirlpool appliance dealers.
- Use and maintenance procedures.
- Accessory and repair parts sales.

For further assistance:

If you need further assistance, you can write to Whirlpool with any questions or concerns at:

KitchenAid Brand Home Appliances
Customer eXperience Centre
200 - 6750 Century Ave.
Mississauga, Ontario L5N 0B7

Please include a daytime phone number in your correspondence.

Replacement Parts

Glass Turntable
Part Number W11664476
Turntable Support and Rollers
Part Number W11664467

Turntable Hub
Part Number W11664468

Built-in Kits

This counter top microwave oven can be built in by using one of the following trim kits*. These kits are available from the dealer or can be ordered by kit model number. See the "Assistance or Service" section for the toll-free number.

Kit Size	Kit Model Numbers/Color
27" (68.6 cm)	MTK1627PB/MTK1627PZ
30" (76.2 cm)	MTK1630PB/MTK1630PZ

*The built-in trim kits can be installed over any (electric) built-in wall oven, up to 30" (76.2 cm).

SÉCURITÉ DU FOUR À MICRO-ONDES

Votre sécurité et celle des autres est très importante.

Nous donnons de nombreux messages de sécurité importants dans ce manuel et sur votre appareil ménager. Assurez-vous de toujours lire tous les messages de sécurité et de vous y conformer.



Voici le symbole d'alerte de sécurité.

Ce symbole d'alerte de sécurité vous signale les dangers potentiels de décès et de blessures graves à vous et à d'autres.

Tous les messages de sécurité suivront le symbole d'alerte de sécurité et le mot "DANGER" ou "AVERTISSEMENT". Ces mots signifient :

⚠ DANGER

Risque possible de décès ou de blessure grave si vous ne suivez pas immédiatement les instructions.

⚠ AVERTISSEMENT

Risque possible de décès ou de blessure grave si vous ne suivez pas les instructions.

Tous les messages de sécurité vous diront quel est le danger potentiel et vous disent comment réduire le risque de blessure et ce qui peut se produire en cas de non-respect des instructions.

IMPORTANTES INSTRUCTIONS DE SÉCURITÉ

Lors de l'utilisation de tout appareil ménager électrique on doit observer certaines précautions de sécurité fondamentales, dont les suivantes :

AVERTISSEMENT : Pour réduire le risque de brûlures, de choc électrique, d'incendie, de blessures et l'exposition excessive à l'énergie des micro-ondes :

- Lire la totalité des instructions avant d'utiliser le four à micro-ondes.
- Lire et observer les instructions spécifiques de "PRÉCAUTIONS CONTRE LE RISQUE D'EXPOSITION EXCESSIVE À L'ÉNERGIE DES MICRO-ONDES" dans cette section.
- Le four à micro-ondes doit être relié à la terre. Brancher l'appareil uniquement sur une prise de courant convenablement reliée à la terre. Voir les "INSTRUCTIONS DE LIAISON À LA TERRE" présentées dans la section "INSTRUCTIONS D'INSTALLATION".
- Installer ou placer le four à micro-ondes uniquement selon les instructions d'installation fournies.
- Certains produits, comme les œufs entiers dans leur coquille et les récipients fermés - par exemple les bocaux en verre fermés - peuvent exploser et on ne doit pas les faire chauffer dans le four à micro-ondes.
- Utiliser le four à micro-ondes uniquement pour les applications auxquelles il est destiné, telles qu'elles sont décrites dans ce manuel. Ne pas utiliser de vapeurs ou de produits chimiques corrosifs dans le four à micro-ondes. Ce type de four est spécifiquement conçu pour chauffer, cuire ou sécher des aliments. Il n'est pas conçu pour des applications industrielles ou de laboratoire.
- Comme pour tout appareil ménager, les enfants ne devraient utiliser ce four que sous une supervision adéquate.
- Ne pas faire fonctionner le four à micro-ondes si le cordon d'alimentation ou la fiche de branchement est endommagé, s'il ne fonctionne pas correctement, s'il a subi des dommages ou s'il est tombé.
- Tous les travaux de service doivent être exécutés exclusivement par un personnel d'entretien qualifié. Contacter un centre de service autorisé pour les opérations d'inspection, de réparation ou de réglage.
- Ne pas couvrir ni obstruer toute ouverture sur le four à micro-ondes.
- Ne pas remiser ce four à micro-ondes à l'extérieur. Ne pas utiliser le four à micro-ondes à proximité d'eau - par exemple, près d'un évier de cuisine, dans un sous-sol humide ou près d'une piscine ou à un emplacement similaire.
- Ne pas immerger le cordon ou la fiche de branchement dans l'eau.
- Garder le cordon d'alimentation loin des surfaces chauffées.
- Ne pas laisser le cordon d'alimentation pendre sur le bord d'une table ou d'un comptoir.
- Voir les instructions de nettoyage de la surface de la porte à la section "Entretien du four à micro-ondes".
- Pour réduire le risque d'incendie dans la cavité du four :
 - Ne pas faire cuire les aliments excessivement. Surveiller attentivement le four à micro-ondes après y avoir placé des produits en papier, en plastique ou autres matériaux combustibles pour faciliter la cuisson des aliments.
 - Enlever les attaches métalliques des sachets en papier ou en plastique avant de placer de tels sachets dans le four.
 - En cas d'inflammation de matériaux placés à l'intérieur du four, maintenir la porte du four fermée, arrêter le four, débrancher le four, ou interrompre l'alimentation électrique au niveau du tableau de distribution (fusible ou disjoncteur).
 - Ne pas utiliser la cavité du four comme espace de rangement. Ne pas laisser dans le four des produits en papier, ustensiles de cuisine ou produits alimentaires, lorsqu'il n'est pas utilisé.

CONSERVEZ CES INSTRUCTIONS

IMPORTANTES INSTRUCTIONS DE SÉCURITÉ

- Les liquides tels que l'eau, le café ou le thé peuvent trop chauffer - au-delà du point d'ébullition - sans sembler bouillir. Il n'y a pas toujours des bulles ou une ébullition lorsqu'on retire le récipient du four à micro-ondes. À CAUSE DE CECI, DES LIQUIDES TRÈS CHAUDS POURRAIENT DÉBORDER LORSQU'ON BOUGE LE RÉCIPENT OU QUE L'ON UTILISE UNE CUILLÈRE OU UN AUTRE USTENSILE POUR LE REMUER.

Pour réduire le risque de blessures corporelles :

- Ne pas trop faire chauffer le liquide.
- Remuer le liquide avant et pendant le chauffage.
- Ne pas utiliser de récipients à parois droites avec des ouvertures étroites.
- Une fois chaud, laisser le récipient dans le four à micro-ondes un moment avant de le retirer.
- Faire très attention lorsqu'on utilise une cuillère ou un autre ustensile dans le récipient.

CONSERVEZ CES INSTRUCTIONS

PRÉCAUTIONS CONTRE LE RISQUE D'EXPOSITION EXCESSIVE À L'ÉNERGIE DES MICRO-ONDES

- (a) Ne pas tenter de faire fonctionner ce four lorsque la porte est ouverte, car ceci pourrait susciter une exposition dangereuse à l'énergie des micro-ondes. Il est important de ne pas entraver le fonctionnement correct du dispositif de verrouillage de sécurité.
- (b) Ne pas placer d'objet entre la surface avant du four et la porte, et ne jamais laisser des souillures ou résidus de produits de nettoyage s'accumuler sur les surfaces d'étanchéité.
- (c) Ne pas faire fonctionner le four lorsqu'il est endommagé. Il est particulièrement important que la porte du four ferme convenablement et que les composants suivants ne soient pas endommagés :
 - (1) Porte (déformation),
 - (2) Charnières et dispositif de verrouillage (brisés ou desserrés),
 - (3) Joints de porte et surfaces d'étanchéité.
- (d) Seul un personnel d'entretien qualifié est habilité à exécuter des réparations ou réglages sur cet appareil.

Ce dispositif est conforme à la section 18 des règlements FCC.
Ce dispositif est conforme à la norme ICES-001 d'Industrie Canada.

INSTRUCTIONS D'INSTALLATION

Déballage

1. Ôter du four à micro-ondes tous les matériaux d'emballage divers.
2. Nettoyer l'intérieur du four avec un chiffon doux humide.
3. Vérifier l'absence de dommages tels que :
 - porte qui n'est pas alignée correctement,
 - dommages autour de la porte, ou
 - bosses à l'intérieur ou à l'extérieur du four à micro-ondes.

En cas de dommage quelconque, ne pas faire fonctionner le four à micro-ondes avant qu'un technicien de service désigné n'ait vérifié le four et ait effectué les réparations nécessaires.

REMARQUE : Pour éviter les dommages au four à micro-ondes, ne pas enlever le capot d'orifice du four à micro-ondes. Consulter la section « Pièces et caractéristiques ».

Exigences d'emplacement

⚠ AVERTISSEMENT

Risque du poids excessif

Utiliser deux ou plus de personnes pour déplacer et installer le four à micro-ondes.

Le non-respect de cette instruction peut causer une blessure au dos ou d'autre blessure.

IMPORTANT : Le côté de l'appareil où se trouve la commande est le plus lourd. Manipuler le four à micro-ondes délicatement. Le poids du four à micro-ondes est supérieur à 35 lb (15,9 kg).

- Placer le four à micro-ondes sur un chariot, un comptoir, une table ou une tablette suffisamment solide pour supporter le four à micro-ondes ainsi que les aliments et ustensiles placés à l'intérieur.
- Le four à micro-ondes doit se trouver à une température supérieure à 50 °F (10 °C) pour un fonctionnement correct.

REMARQUE : Certains modèles peuvent être encastrés dans un mur ou une armoire à l'aide d'un des ensembles de finition mentionnés dans la section « Assistance ou dépannage ».

- Ne pas obstruer les conduits d'évacuation ou les ouvertures de prise d'air. Laisser quelques centimètres à l'arrière du four et sur le côté du micro-ondes à l'emplacement des conduits d'évacuation. L'obstruction des conduits d'évacuation peut entraîner des dommages au four à micro-ondes, de même que de médiocres résultats de cuisson.
- Veiller à ce que les pieds du four à micro-ondes soient bien en place pour assurer un flux d'air approprié. Si les événements sont obstrués, un dispositif de sécurité thermique sensible peut commander l'extinction automatique du four à micro-ondes. Le four à micro-ondes devrait fonctionner correctement une fois refroidi.

Spécifications électriques

⚠ AVERTISSEMENT



Risque de choc électrique

Brancher sur une prise à 3 alvéoles reliée à la terre.

Ne pas enlever la broche de liaison à la terre.

Ne pas utiliser un adaptateur.

Ne pas utiliser un câble de rallonge.

Le non-respect de ces instructions peut causer un décès, un incendie ou un choc électrique.

Observer les dispositions de tous les codes et règlements en vigueur.

Exigences :

- Alimentation de 120 V, 60 Hz, CA seulement, et protégée par un fusible ou un disjoncteur temporisé de 15 A ou 20 A.

Recommandation :

- Fusible ou disjoncteur temporisé.
- Circuit distinct exclusif au four à micro-ondes.

INSTRUCTIONS DE LIAISON À LA TERRE

■ Pour tout appareil ménager connecté par un cordon de courant électrique :

Il faut que le four à micro-ondes soit relié à la terre. En cas de court-circuit électrique, la liaison à la terre réduit le risque de choc électrique car le courant électrique dispose d'un itinéraire direct d'acheminement à la terre. Le four à micro-ondes est doté d'un cordon de courant électrique qui comporte un fil de liaison à la terre, avec broche de liaison à la terre. On doit brancher la fiche sur une prise de courant convenablement installée et reliée à la terre.

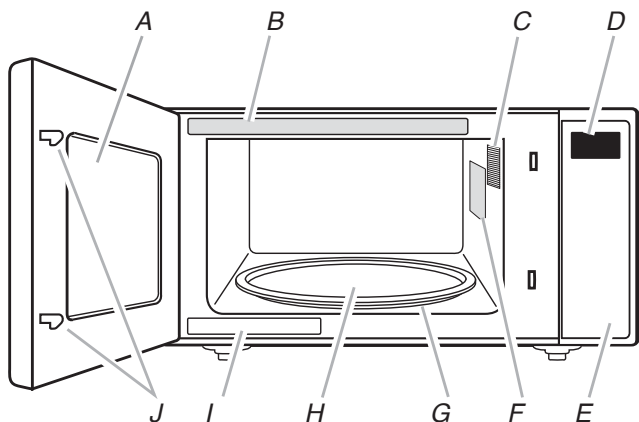
AVERTISSEMENT : L'utilisation incorrecte du dispositif de liaison à la terre peut susciter un risque de choc électrique. L'utilisateur qui ne comprend pas bien les instructions de liaison à la terre, ou qui n'est pas certain que le four à micro-ondes soit convenablement relié à la terre, devrait consulter un électricien ou un technicien qualifié.

Ne pas utiliser un câble de rallonge. Si le cordon de courant électrique est trop court, demander à un électricien ou un technicien qualifié d'installer une prise de courant à proximité du four à micro-ondes.

CONSERVEZ CES INSTRUCTIONS

PIÈCES ET CARACTÉRISTIQUES

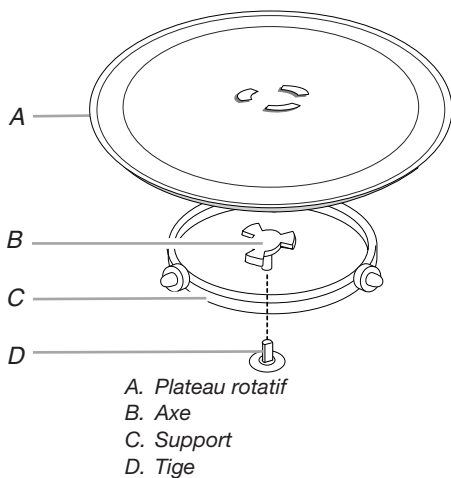
Ce manuel peut couvrir plusieurs modèles différents. Le modèle acheté peut comporter certains (ou l'ensemble) des éléments présentés dans ce document. L'apparence de votre modèle peut différer légèrement des illustrations figurant dans ce manuel.



- A. Fenêtre
- B. Étiquette du guide de cuisson
- C. Éclairage du four à micro-ondes
- D. Affichage
- E. Tableau de commande
- F. Capot d'orifice du four à micro-ondes*
- G. Support du plateau rotatif amovible
- H. Plateau rotatif en verre
- I. Plaque signalétique des numéros de modèle et de série
- J. Système de verrouillage de la porte

***REMARQUE :** Pour éviter les dommages au four à micro-ondes, ne pas enlever le capot d'orifice du four à micro-ondes. Consulter la section « Pièces et caractéristiques ».

Plateau rotatif



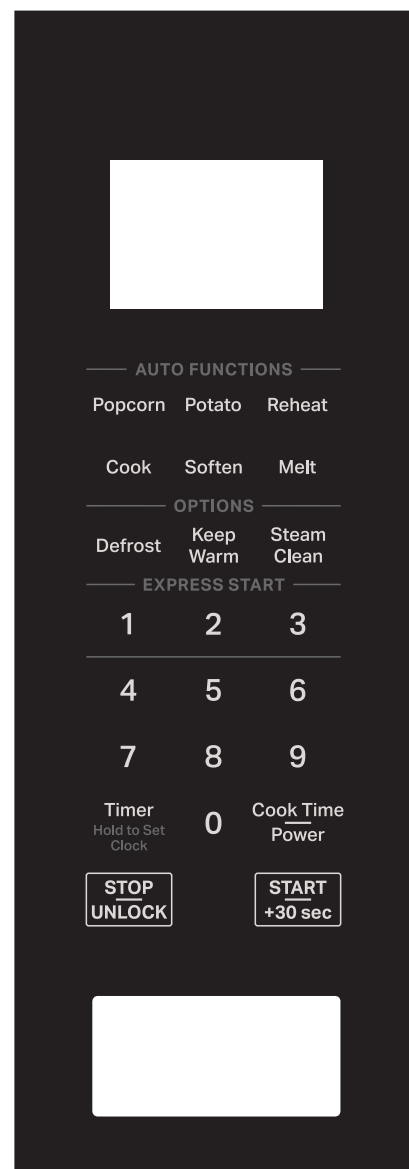
- A. Plateau rotatif
- B. Axe
- C. Support
- D. Tige

Le plateau rotatif peut tourner dans les deux sens pour permettre une cuisson plus uniforme. Pour de meilleurs résultats, ne pas faire fonctionner le four à micro-ondes lorsque le plateau rotatif est enlevé. Voir la section « Assistance ou service » pour commander de nouvelles pièces.

Installation :

1. Placer le support dans la cavité du bas du four à micro-ondes.
2. Placer le plateau rotatif sur le support.
Insérer les protubérances arrondies au centre du dessous du plateau rotatif entre les 3 rayons de l'axe. Les roulettes sur le support devraient se loger à l'intérieur du pourtour cranté du dessous du plateau rotatif.

COMMANDE DU FOUR À MICRO-ONDES



Instructions du clavier

Bouton	Fonction	Instructions
Timer (Minuterie) (Hold to Set Clock [Maintenir enfoncée pour régler l'horloge])	Maintenir enfoncée pour régler l'horloge	Pour régler l'horloge, suivre les instructions suivantes : <ol style="list-style-type: none"> 1. Appuyer sur Timer (Minuterie) pendant 3 secondes pour accéder au réglage de l'horloge. 2. Appuyer sur les boutons 0-9 pour saisir la durée désirée. 3. Appuyer sur le bouton START/+ 30 Sec (MISE EN MARCHÉ/+ 30 s). <p>REMARQUE : Le four à micro-ondes doit être en mode de veille. Il apparaît également chaque fois que le produit est branché. L'écran affiche « 12 Hr » (« 12 » clignotant). Appuyer sur le bouton Timer (Minuterie) pour changer le format 12 ou 24 heures, appuyer sur START (MISE EN MARCHÉ) pour confirmer; l'écran affiche alors « 12:00 ».</p>
Timer (Minuterie) (Hold to Set Clock [Maintenir enfoncée pour régler l'horloge])	Réglage de la minuterie de cuisine	La minuterie fonctionne comme un chronomètre. Pour régler la minuterie de cuisine, suivre les instructions suivantes : <ol style="list-style-type: none"> 1. Appuyer sur le bouton Timer (Minuterie). 2. Appuyer sur les boutons 0-9 pour entrer la durée désirée. 3. Appuyer sur le bouton START/+ 30 Sec (MISE EN MARCHÉ/+ 30 s). <p>REMARQUE : Si la minuterie est active sur l'affichage, appuyer sur STOP/UNLOCK (ARRÊT/DÉVERROUILLAGE) pour l'annuler. La minuterie ne se met pas en marche et n'arrête pas le four à micro-ondes.</p>
START +30 sec (MISE EN MARCHÉ + 30 s)	Ajouter 30 secondes	Le bouton START (MISE EN MARCHÉ) peut être utilisé de deux façons : <ol style="list-style-type: none"> 1. Pour mettre en marche le four à micro-ondes en lançant une cuisson de 30 secondes à pleine puissance en mode veille. 2. Pour augmenter la durée de cuisson de 30 secondes. Chaque pression ajoute 30 secondes.
START +30 sec (MISE EN MARCHÉ + 30 s)	Fonction de mise en marche	Appuyer sur le bouton START (MISE EN MARCHÉ) pour lancer une fonction de cuisson. Si la cuisson est interrompue en ouvrant la porte, appuyer sur le bouton START (MISE EN MARCHÉ) une fois la porte refermée pour relancer le programme.
STOP/UNLOCK (ARRÊT/ DÉVERROUILLAGE)	Fonction pause/arrêt du four à micro-ondes	Le bouton STOP/UNLOCK (ARRÊT/DÉVERROUILLAGE) arrête toutes les fonctions du four à micro-ondes, sauf l'horloge. Le four à micro-ondes s'arrête aussi lorsque la porte est ouverte. Lorsque la porte est ouverte, l'élément ou les éléments s'arrêteront, mais l'ampoule du four à micro-ondes restera allumée. Fermer la porte et appuyer sur le bouton START (MISE EN MARCHÉ) pour reprendre le programme pré-régulé.

Bouton	Fonction	Instructions
STOP/UNLOCK (ARRÊT/ DÉVERROUILLAGE)	Ouverture de la porte en 2 étapes	<p>Ce four à micro-ondes est doté d'une fonction supplémentaire d'ouverture de la porte en deux étapes afin d'éviter tout accès involontaire.</p> <p>Le bouton STOP/UNLOCK (ARRÊT/DÉVERROUILLAGE) peut être utilisé pour annuler la fonction pendant ou une fois la durée de cuisson terminée.</p> <p>Le bouton STOP/UNLOCK (ARRÊT/DÉVERROUILLAGE) peut être utilisé pour l'ouverture de la porte en deux étapes :</p> <ol style="list-style-type: none"> 1. Une fois la durée de cuisson réglée et que le bouton START (MISE EN MARCHE) a été enfoncé, l'icône Door Lock (Verrouillage de porte) apparaît à l'écran. 2. Pour ouvrir le micro-ondes : <ul style="list-style-type: none"> ■ Appuyer sur STOP/UNLOCK (ARRÊT/DÉVERROUILLAGE). ■ Appuyer sur le bouton d'ouverture de la porte. <p>REMARQUE : Après avoir appuyé sur le bouton STOP/UNLOCK (ARRÊT/DÉVERROUILLAGE) pour arrêter/mettre sur pause une fonction, l'icône Door Lock (Verrouillage de porte) disparaît pendant 10 secondes et il est possible d'appuyer sur le bouton d'ouverture de la porte pour l'ouvrir.</p> <p>L'icône Door Lock (Verrouillage de porte) réapparaît après 10 secondes et il est possible de répéter les étapes 1 et 2 pour ouvrir la porte.</p> <p>REMARQUE : Lorsque la machine est mise sous tension après avoir été branchée, la fonction de porte en deux étapes n'est pas déclenchée. Si un programme de cuisson démarre après la fermeture de la porte, deux étapes sont nécessaires pour ouvrir la porte. Une fois les deux étapes utilisées pour ouvrir la porte, si la porte se ferme et qu'aucune puissance de cuisson n'est appliquée, la porte pourra être ouverte en appuyant simplement sur le bouton d'ouverture de la porte.</p> <p>REMARQUE : Ce four à micro-ondes est doté d'une fonction supplémentaire d'ouverture de la porte en deux étapes afin d'éviter tout accès involontaire. Si les enfants n'ont pas accès à l'appareil, il existe une fonction de désactivation si la fonctionnalité en deux étapes n'est pas nécessaire.</p> <p>Désactivation/activation de la fonction de porte en 2 étapes sur l'écran</p> <p>Étapes pour désactiver la fonction de porte en 2 étapes :</p> <ol style="list-style-type: none"> 1. Après avoir appuyé sur le bouton STOP/UNLOCK (ARRÊT/DÉVERROUILLAGE) pendant 3 secondes, l'écran affiche « DI: 0 ». 2. Après avoir appuyé sur le bouton « 0 », l'écran affiche « DI: 1 ». 3. Appuyer sur le bouton START/+ 30 sec (MISE EN MARCHE/+ 30 s) pour confirmer. <p>REMARQUE : DI (Désactiver)</p> <p>REMARQUE : Si le micro-ondes est débranché, il se souviendra de la dernière opération. Il ne sera pas nécessaire de désactiver ou d'activer à nouveau la fonction de porte en 2 étapes.</p> <p>Étapes pour activer la fonction de porte en 2 étapes :</p> <ol style="list-style-type: none"> 1. Après avoir appuyé sur le bouton STOP/UNLOCK (ARRÊT/DÉVERROUILLAGE) pendant 3 secondes, l'écran affiche « EA: 0 ». 2. Après avoir appuyé sur le bouton « 0 », l'écran affiche « EA: 1 ». 3. Appuyer sur le bouton START/+ 30 sec (MISE EN MARCHE/+ 30 s) pour confirmer. <p>REMARQUE : EA (Activer)</p> <p>IMPORTANT : La désactivation de cette fonction ne doit être effectuée que lorsque le propriétaire est sûr de lui et qu'aucun enfant n'est présent.</p>
0-9	Clavier numérique Démarrage Express	<ol style="list-style-type: none"> 1. L'utilisateur peut appuyer sur les touches 0-9 pour sélectionner la durée de cuisson, la catégorie et le poids des aliments pour les fonctions désirées. 2. En mode veille, appuyer sur le bouton 1, 2 ou 3, le four à micro-ondes fonctionne directement à 100 % pendant 1 min, 2 min, 3 min de temps de cuisson. Il n'est pas nécessaire d'appuyer sur le bouton START/+ 30 Sec (MISE EN MARCHE/+ 30 s) pour confirmer.

Bouton	Fonction	Instructions
Cook Time/Power (Durée/Puissance de cuisson)	Réglage manuel de cuisson	<p>Appuyer sur le bouton « Cook Time/Power » (Durée/puissance de cuisson) pour régler la cuisson manuelle. Par exemple, pour régler la minuterie à 2:30 et la puissance à 90 % :</p> <ol style="list-style-type: none"> 1. Appuyer sur le bouton « Cook Time/Power » (Durée/puissance de cuisson), « 00:00 » s'affiche à l'écran. 2. Appuyer sur les boutons 0-9 pour régler le temps de cuisson sur « 2:30 ». <p>REMARQUE : Appuyer sur le bouton START (MISE EN MARCHÉ) directement après l'étape 2, le four commencera la cuisson avec un niveau de puissance par défaut de 100 %.</p> <ol style="list-style-type: none"> 3. Appuyer de nouveau sur le bouton « Power Level » (Niveau de puissance), P100 s'affiche à l'écran. 4. Appuyer sur les boutons 0-9 pour réduire le niveau de puissance à 90 % (P90 à l'écran). 5. Appuyer sur le bouton START (MISE EN MARCHÉ).
Defrost (Décongélation)	Menu Defrost (Menu de décongélation)	<p>La fonction de décongélation aide avec les aliments surgelés. Pour décongeler, suivre les instructions ci-dessous :</p> <ol style="list-style-type: none"> 1. Appuyer sur le bouton « Defrost » (Décongélation); P01 s'affiche à l'écran. 2. Appuyer sur le bouton « Defrost » (Décongélation) ou sur les boutons 0-9 pour sélectionner la décongélation manuelle ou la catégorie d'aliments souhaitée, P01...P04. 3. Appuyer sur le bouton START (MISE EN MARCHÉ) pour confirmer. P01 – Manual Defrost (Décongélation manuelle) 4. La durée « 00:30 » s'affiche à l'écran 5. Appuyer sur les boutons 0-9 pour régler le temps de décongélation. 6. Appuyer sur le bouton START (MISE EN MARCHÉ). P02-P05 4. Le poids par défaut s'affiche à l'écran. 5. Appuyer sur les boutons 0-9 pour modifier le poids souhaité. 6. Appuyer sur le bouton START (MISE EN MARCHÉ). <p>REMARQUE : Voir la section « Menu de décongélation » à la page 15 de ce guide pour la catégorie d'aliments ou l'autocollant de référence sur la plaque avant du four à micro-ondes visible après avoir ouvert la porte du four.</p>
Reheat (Réchauffage)	Menu Reheat (Réchauffage)	<p>Pour réchauffer en utilisant les fonctions pré-réglées, suivre les instructions.</p> <ol style="list-style-type: none"> 1. Appuyer sur le bouton « Reheat » (Réchauffage), « P01 » s'affiche à l'écran. 2. Appuyer sur le bouton « Reheat » (Réchauffage) ou sur les boutons 0-9 pour sélectionner la catégorie d'aliments, P01...P04. 3. Appuyer sur le bouton START (MISE EN MARCHÉ). <p>REMARQUE : Voir la section « Menu (Reheat réchauffage) » à la page 14 de ce guide pour la catégorie d'aliments ou l'autocollant de référence sur la plaque avant du four à micro-ondes visible après avoir ouvert la porte du four.</p> <ol style="list-style-type: none"> 4. Cuisson par détection (sauf sauce, soupe et boisson) : Un capteur dans le four à micro-ondes détecte l'humidité dégagée par l'aliment au fur et à mesure qu'il chauffe et règle automatiquement la durée de cuisson en conséquence. (Pour la cuisson sans détection, le poids par défaut à l'écran. Appuyez sur les boutons 0-9 du clavier pour régler le poids souhaité. Appuyer sur le bouton START (MISE EN MARCHÉ)).
Popcorn (Maïs à éclater)	Maïs à éclater	<p>Pour utiliser le pré-réglage de maïs à éclater, suivre les instructions suivantes :</p> <ol style="list-style-type: none"> 1. Appuyer plusieurs fois sur le bouton « Popcorn » (Maïs à éclater) pour sélectionner la taille du sac (3,0 ou 3,5 oz). 2. Appuyer sur le bouton START (MISE EN MARCHÉ).
Potato (Pomme de terre)	Cuisson des pommes de terre	<p>Pour utiliser le pré-réglage de pomme de terre, suivre les instructions suivantes :</p> <ol style="list-style-type: none"> 1. Appuyer plusieurs fois sur le bouton « Potato » (Pomme de terre) pour sélectionner la taille de pomme de terre L (Grosse) ou S (Petite). 2. Appuyer sur START (MISE EN MARCHÉ) pour confirmer, appuyer sur les boutons 0-9 pour choisir la quantité. 3. Appuyer sur le bouton START (MISE EN MARCHÉ).

Bouton	Fonction	Instructions
Cook (Cuisson)	Menu Cook (Cuisson)	<p>Pour utiliser les pré-réglages de cuisson automatique, suivre les instructions suivantes :</p> <ol style="list-style-type: none"> 1. Appuyer sur le bouton « Cook » (Cuisson), « P01 » s'affiche à l'écran. 2. Appuyer sur le bouton « Cook » (Cuisson) ou sur les boutons 0-9 pour sélectionner la catégorie d'aliments, P01...P04. 3. Appuyer sur le bouton START (MISE EN MARCHÉ). 4. Cuisson par détection : Un capteur dans le four à micro-ondes détecte l'humidité dégagée par l'aliment au fur et à mesure qu'il chauffe et règle automatiquement la durée de cuisson en conséquence. (Pour la cuisson sans détection, le poids par défaut à l'écran. Appuyer sur les boutons 0-9 pour régler le poids souhaité. Appuyer sur le bouton START (MISE EN MARCHÉ)). <p>REMARQUE : Voir la section « Menu Cook (Cuisson) » à la page 13 de ce guide pour la catégorie d'aliments ou l'autocollant de référence sur la plaque avant du four à micro-ondes visible après avoir ouvert la porte du four</p>
Soften (Faire ramollir)	Menu Soften (Faire ramollir)	<p>La fonction Soften (Faire ramollir) est utilisée pour faire ramollir des aliments. Utilisation :</p> <ol style="list-style-type: none"> 1. Appuyer sur « Soften » (Faire ramollir), « P01 » s'affiche à l'écran. 2. Utiliser le bouton « Soften » (Faire ramollir) ou les boutons 0-9 pour sélectionner la catégorie d'aliments. Appuyer sur le bouton START (MISE EN MARCHÉ) pour confirmer. 3. Utiliser les boutons 0-9 pour modifier la quantité. 4. Appuyer sur le bouton START (MISE EN MARCHÉ). <p>REMARQUE : Voir la section « Menu Soften (Faire ramollir) » à la page 14 de ce guide pour la catégorie d'aliments ou l'autocollant de référence sur la plaque avant du four à micro-ondes visible après avoir ouvert la porte du four.</p>
Melt (Faire fondre)	Menu Melt (Faire fondre)	<p>La fonction Melt (Faire fondre) est utilisée pour faire fondre des aliments. Utilisation :</p> <ol style="list-style-type: none"> 1. Appuyer sur « Melt » (Faire fondre), « P01 » s'affiche à l'écran. 2. Utiliser le bouton « Melt » (Faire fondre) ou les boutons 0-9 pour sélectionner la catégorie d'aliments. Appuyer sur le bouton START (MISE EN MARCHÉ) pour confirmer. 3. Utiliser les boutons 0-9 pour modifier la quantité. 4. Appuyer sur le bouton START (MISE EN MARCHÉ). <p>REMARQUE : Voir la section « Menu Melt (Faire fondre) » à la page 14 de ce guide pour la catégorie d'aliments ou l'autocollant de référence sur la plaque avant du four à micro-ondes visible après avoir ouvert la porte du four.</p>
Keep Warm (Maintien au chaud)	Maintien au chaud	<p>Cette fonction permet de garder les plats au chaud. Utilisation :</p> <ol style="list-style-type: none"> 1. Appuyer sur le bouton « Keep Warm » (Maintien au chaud), la durée par défaut « 30:00 » s'affiche à l'écran. 2. Appuyer sur le bouton « Keep Warm » (Maintien au chaud) ou les boutons 0-9 pour sélectionner 15 minutes, 30 minutes, 45 minutes ou 60 minutes. 3. Appuyer sur le bouton START (MISE EN MARCHÉ). <p>REMARQUE : Le programme de maintien au chaud dure 15 minutes (30 minutes par défaut), la durée maximale est de 60 minutes. Pour chaque programme de 15 minutes, le micro-ondes s'allume pendant 1,5 minute, puis la lampe de la cavité et le ventilateur s'éteignent; seul le compte à rebours s'affiche.</p>

Steam Clean
(Nettoyage à la
vapeur)

Programme de nettoyage
automatique

Le programme de nettoyage permet de décoller les saletés dans la cavité du four à micro-ondes.

1. Placer 1 tasse d'eau (~ 250 ml) au milieu de la cavité.
2. Appuyer sur le bouton « Steam Clean » (Nettoyage à la vapeur); la durée par défaut « 13:00 » s'affiche à l'écran.
3. Appuyer sur le bouton START (MISE EN MARCHÉ) pour démarrer la fonction.
(Après avoir terminé le programme de chauffage de l'eau [3 minutes], la lampe de la cavité et le ventilateur s'éteignent, le compte à rebours s'affiche.)

REMARQUE : Voir la section « Steam Clean (Nettoyage à la vapeur) » à la page 15 de ce guide et suivre les conseils et suggestions.

Tone ON/OFF
(Signaux sonores de
MARCHÉ/ARRÊT)

Pour mettre en marche ou éteindre
les bips

La fonction permet d'activer ou de désactiver le bip :

1. Appuyer sur le bouton Keep Warm (Maintien au chaud) pendant 3 secondes pour mettre en sourdine; l'icône de signaux sonores désactivés s'affiche à l'écran.
2. Appuyer sur le bouton de nouveau pendant 3 secondes pour désactiver le son.

Affichage

Lorsque l'alimentation électrique arrive au four à micro-ondes pour la première fois, « 12 Hr » clignote à l'affichage. L'utilisateur peut appuyer sur le bouton TIMER/Clock (MINUTERIE/Horloge) pour basculer entre 12 h ou 24 h dans les 10 secondes.

Appuyer sur le bouton START (MISE EN MARCHÉ) pour confirmer. Si « 12:00 » apparaît à l'affichage en tout autre moment, cela signifie qu'il y a eu coupure de courant. Régler de nouveau l'horloge si nécessaire. Voir la section « Horloge ».

Mode Standby (Veille)

Lorsqu'aucune fonction n'est utilisée, le four à micro-ondes passe en mode Standby (Veille).

Après la sélection de la fonction, appuyer sur le bouton STOP/UNLOCK (ARRÊT/DÉVERROUILLAGE) pour quitter la sélection de la fonction. Appuyer de nouveau sur le bouton STOP/UNLOCK (MISE EN MARCHÉ/PAUSE) produira un bip.

Lorsque le mode de cuisson est activé, appuyer sur STOP/UNLOCK (ARRÊT/DÉVERROUILLAGE) pour mettre sur pause le mode de cuisson en question, appuyer de nouveau sur le bouton STOP/UNLOCK (ARRÊT/DÉVERROUILLAGE) pour annuler la fonction et revenir au mode veille.

START (MISE EN MARCHÉ)

Une fois la sélection des fonctions terminée, appuyer sur le bouton START (MISE EN MARCHÉ) pour lancer le mode de cuisson. Si la cuisson sans détection est interrompue par l'ouverture de la porte, appuyer sur le bouton START (MISE EN MARCHÉ) pour poursuivre le programme.

REMARQUE : Pour éviter l'utilisation involontaire du four à micro-ondes, il est impossible de lancer une fonction de cuisson si la porte du four à micro-ondes est restée fermée pendant 1 minute. Le mot « door » (porte) apparaît sur l'affichage jusqu'à ce que la porte soit ouverte, puis fermée.

Quick start/Add 30 seconds (Démarrage rapide/Ajouter 30 secondes)

En mode veille, appuyer sur START (MISE EN MARCHÉ) allume le four à micro-ondes automatiquement à puissance maximale pendant 30 secondes, et ajoute 30 secondes de cuisson supplémentaire à chaque fois qu'on appuie à nouveau sur la commande. Il est possible d'ajouter du temps à tout programme de cuisson manuel par incréments de 30 secondes, au niveau de puissance actuel, en appuyant sur le bouton START (MISE EN MARCHÉ) pendant la cuisson.

Express Start (Démarrage Express)

Appuyer le chiffre 1, 2 ou 3, le four à micro-ondes fonctionne directement à 100 % pendant 1 min, 2 min, 3 min de cuisson. Il n'est pas nécessaire d'appuyer sur le bouton START (MISE EN MARCHÉ) pour confirmer.

REMARQUE : La fonction ne peut être activée qu'en mode veille. Le four à micro-ondes avertit l'utilisateur par un son de saisie non valide s'il appuie sur le bouton 4, 5, 6, 7, 8, 9, 0.

STOP/UNLOCK (ARRÊT/ DÉVERROUILLAGE)

Le bouton STOP/UNLOCK (ARRÊT/DÉVERROUILLAGE) permet d'effacer toute commande invalide et d'annuler n'importe quel programme durant une cuisson. Appuyer sur le bouton STOP/UNLOCK (ARRÊT/DÉVERROUILLAGE) pour arrêter le programme. Cette fonction n'effacera pas l'heure.

Le four à micro-ondes s'arrête aussi lorsque la porte est ouverte. Fermer la porte et appuyer sur START (MISE EN MARCHÉ) pour reprendre le programme.

Utilisation du menu sans détection (Mais à éclater, pomme de terre)

1. Placer l'aliment sur le plateau rotatif et fermer la porte.
 2. Appuyer sur la commande du menu souhaité. La première quantité programmée apparaît sur l'affichage. Appuyer à plusieurs reprises sur le bouton de commande ou appuyer sur les boutons numériques pour modifier la quantité.
 3. Appuyer sur START (MISE EN MARCHÉ). Lorsque le programme est terminé, « END » (FIN) apparaît sur l'afficheur, et les signaux de fin de programme retentissent.
 4. Appuyer sur STOP/UNLOCK (ARRÊT/DÉVERROUILLAGE) ou ouvrir la porte pour effacer l'affichage.
-

Clocks (Horloge)

Le four à micro-ondes doit être en mode de veille.

1. Appuyer sur Timer (Minuterie) pendant 3 secondes pour accéder au réglage de l'horloge.
 2. Appuyer sur les boutons 0-9 pour saisir la durée désirée.
 3. Appuyer sur le bouton START/+ 30 sec (MISE EN MARCHÉ/+ 30 s).
-

Timer (Minuterie)

Réglage :

1. Appuyer sur le bouton Timer (Minuterie)
2. Appuyer sur les boutons 0-9 pour entrer la durée désirée.
3. Appuyer sur le bouton START (MISE EN MARCHÉ). Lorsque la durée réglée est écoulée, le signal sonore de fin de programme retentit.
4. Lorsque le compte à rebours de la minuterie est atteint sur l'afficheur, un signal sonore retentit. Appuyer sur STOP/UNLOCK (ARRÊT/DÉVERROUILLAGE) pour arrêter la minuterie.

REMARQUE : La minuterie ne se met pas en marche et n'arrête pas le four à micro-ondes. La fonction ne peut être définie qu'en mode veille.

Tones ON/OFF (Signaux sonores de MARCHÉ/ARRÊT)

Cette fonction permet à l'utilisateur d'activer/désactiver tous les sons joués par les appareils, y compris la pression de bouton, les avertissements, l'alarme et même la fin des signaux sonores.

Appuyer sur le bouton Keep Warm (Maintien au chaud) pendant 3 secondes pour mettre en sourdine, l'appuyer à nouveau pendant 3 secondes pour activer le son.

Fin de cuisson

Une fois la cuisson terminée, « END » (FIN) s'affiche à l'écran. Un bip de rappel retentit.

1. Une fois la cuisson terminée, appuyer sur le bouton STOP/UNLOCK (ARRÊT/DÉVERROUILLAGE), sortir les aliments et refermer la porte pour que l'interface affiche l'horloge et que l'appareil passe à l'ouverture de la porte en une seule étape.
 2. Si les aliments ne sont pas retirés dans les 30 minutes, l'appareil affichera en permanence « END »(FIN) pendant 30 minutes, reviendra automatiquement en mode veille, puis se déverrouillera au bout de 30 minutes et passera à l'ouverture de la porte en une seule étape.
-

Utilisation du menu avec détection (Dinner Plate/Reheat, Cook Menu [Assiettée/ Réchauffage, Menu de cuisson])

1. Placer l'aliment sur le plateau rotatif et fermer la porte.
2. Appuyer sur la commande du menu souhaité.
3. Appuyer sur START (MISE EN MARCHÉ), l'animation du segment en cours apparaîtra à l'écran. Le four à micro-ondes démarre et la cuisson par détection commence. Le segment en cours reste affiché jusqu'à ce que le capteur détermine la durée de cuisson restante.



4. Lorsque le programme est terminé, « END » (FIN) apparaît sur l'afficheur, et les signaux de fin de programme retentissent.
5. Appuyer sur STOP/UNLOCK (ARRÊT/DÉVERROUILLAGE) ou ouvrir la porte pour effacer l'affichage.

(Remarque : Sauce, soupe, boisson dans le menu Reheat [Réchauffage] sans utiliser la cuisson avec détection).

UTILISATION DU FOUR À MICRO-ONDES

Un magnétron dans le four produit des micro-ondes qui rebondissent sur le plancher, les parois et la voûte en métal et passent à travers le plateau rotatif et les ustensiles de cuisson appropriés pour atteindre l'aliment. Les micro-ondes sont attirées et absorbées par le gras, le sucre et les molécules d'eau des aliments, elles font bouger ces molécules, ce qui produit la friction et la chaleur qui fait cuire les aliments.

- Afin d'éviter d'endommager le four à micro-ondes, ne pas laisser les enfants s'appuyer sur la porte du four à micro-ondes ou s'y balancer.
- Afin d'éviter d'endommager le four à micro-ondes, ne pas le faire fonctionner lorsqu'il est vide.
- Les biberons et les petits pots d'aliments pour bébé ne doivent pas être chauffés dans le four à micro-ondes.
- Les vêtements, fleurs, fruits, herbes, bois, gourdes, papiers, y compris les sacs en papier d'emballage et les journaux ne doivent pas être séchés dans le four à micro-ondes.
- La paraffine ne fondra pas dans le four, car elle n'absorbe pas les micro-ondes.
- Utiliser des mitaines de four ou des maniques pour enlever les contenants du four à micro-ondes.
- Ne pas faire cuire les pommes de terre excessivement. À la fin de la durée de cuisson recommandée, les pommes de terre devraient être légèrement fermes. Laisser les pommes de terre reposer pendant 5 minutes. Elles achèveront de cuire pendant cette période.
- Ne pas faire cuire ou réchauffer des œufs entiers avec leur coquille. L'accumulation de vapeur dans les œufs entiers peut les faire éclater et obligera à nettoyer en profondeur la cavité du four à micro-ondes. Recouvrir les œufs pochés et les laisser reposer.

Caractéristiques des aliments

Lors de la cuisson au four à micro-ondes, la quantité, la taille, la forme, la température de mise en marche, la composition et la densité de l'aliment affectent les résultats de cuisson.

Quantité d'aliments

La quantité d'aliments chauffés à la fois a une incidence sur la durée de cuisson. Vérifier le degré de cuisson et rallonger légèrement la durée si nécessaire.

Taille et forme

Des aliments de petite taille cuiront plus vite que de gros morceaux, et des aliments uniformes cuiront de façon plus égale que des aliments de forme irrégulière.

Température à la mise en marche

Les aliments à température ambiante chaufferont plus vite que les aliments réfrigérés, et les aliments réfrigérés chaufferont plus vite que les aliments surgelés.

Composition et densité

Les aliments à haute teneur en gras et en sucre atteindront une température plus élevée et chaufferont plus vite que les autres. Les aliments lourds et denses, comme la viande et les pommes de terre, demandent une durée de cuisson plus longue que les aliments de même taille, mais plus légers et poreux, comme les gâteaux.

Guide de cuisson

Recouvrement

Recouvrir les aliments aide à retenir l'humidité, réduire la durée de cuisson et limiter les éclaboussures. Utiliser le couvercle fourni avec l'ustensile de cuisson. S'il n'y a pas de couvercle, du papier paraffiné, un essuie-tout ou un emballage en plastique approuvé pour les micro-ondes peut être utilisé. L'emballage en plastique doit être replié à un coin pour laisser échapper la vapeur. La condensation sur les surfaces de la porte et de la cavité est normale pendant une cuisson intense.

Remuer et tourner

Remuer et tourner les aliments redistribue la chaleur de manière uniforme pour éviter la cuisson excessive du bord des aliments. Mélanger de l'extérieur vers le centre. Si possible, retourner les aliments.

Disposition

S'il s'agit d'aliments de formes irrégulières ou de dimensions différentes, les parties plus minces et les morceaux plus petits doivent être disposés près du centre. Si l'on cuit plusieurs aliments de même taille et de même forme, les placer en cercle, en laissant le centre du cercle vide.

Perforation

Avant le chauffage, utiliser une fourchette ou un petit couteau pour percer les aliments qui ont une peau ou une membrane, comme les pommes de terre, jaunes d'œufs, foies de poulet, hot dogs et saucisses. Percer plusieurs endroits pour laisser échapper la vapeur.

Protection

Utiliser du papier d'aluminium en petits morceaux pour protéger les parties minces d'aliments de forme irrégulière, les os et les aliments comme les ailes et pilons de poulet et les queues de poisson. Voir d'abord la section « Papier d'aluminium et métal ».

Temps de repos

Les aliments continuent à cuire par conduction naturelle de la chaleur même lorsque le programme du micro-ondes est terminé. La durée du repos dépend du volume et de la densité de l'aliment.

Ustensiles de cuisson et vaisselle

La vaisselle et les ustensiles de cuisson doivent pouvoir être placés sur le plateau rotatif. Toujours utiliser des mitaines de four ou des poignées lors de la manipulation, car les plats peuvent devenir chauds puisqu'ils sont en contact avec des aliments. Ne pas utiliser des ustensiles de cuisson ou de la vaisselle avec garniture en or ou en argent. Utiliser le tableau suivant comme guide, ensuite faire un test avant utilisation.

Matériau	Recommandations
Papier d'aluminium, métal	Voir la section « Papier d'aluminium et métal ».
Plat brunisseur	La partie inférieure doit se trouver au moins à 3/16 po (5 mm) au-dessus du plateau tournant. Suivre les recommandations du fabricant.
Vitrocéramique, verre	Peut être utilisé
Porcelaine, terre cuite	Suivre les recommandations du fabricant.
Mélatamine	Suivre les recommandations du fabricant.
Papier : Chiffons, vaisselle, serviettes de table	Utiliser des produits non recyclés et ceux qui sont approuvés par le fabricant pour l'utilisation dans un four à micro-ondes.
Plastique : Emballages, sacs, couvercles, vaisselle, contenants	Utiliser des produits approuvés par le fabricant pour l'utilisation dans un four à micro-ondes.
Poterie et argile	Suivre les recommandations du fabricant.
Ustensiles de cuisson en silicone	Suivre les recommandations du fabricant.
Paille, osier, contenants en bois	Ne pas utiliser au four à micro-ondes.
Papier paraffiné	Peut être utilisé

Pour vérifier si la vaisselle ou l'ustensile de cuisson peut être utilisé dans un four à micro-ondes :

1. Placer l'ustensile de cuisson ou la vaisselle dans le four à micro-ondes avec une tasse (250 ml) d'eau à côté de l'article.
2. Faire cuire à la puissance de cuisson maximale pendant 1 minute.

Ne pas utiliser cet ustensile de cuisson ou cet article de vaisselle s'il devient chaud alors que l'eau demeure froide.

Papier d'aluminium et métal

Toujours utiliser des mitaines de four ou des poignées pour enlever un contenant du four à micro-ondes.

Le papier d'aluminium et certains métaux peuvent être utilisés dans le four à micro-ondes. Si ces articles ne sont pas correctement utilisés, des arcs (éclairs bleus) peuvent se produire et causer des dommages au four à micro-ondes.

Peut être utilisé

Les grilles et les ustensiles de cuisson fournis avec le four à micro-ondes (sur certains modèles), la feuille d'aluminium pour protection et les thermomètres à viande approuvés peuvent être utilisés en respectant les précautions suivantes :

- Afin d'éviter d'endommager le four à micro-ondes, ne pas laisser les grilles en contact avec les parois internes, la voûte ou le fond du four.
- Toujours utiliser le plateau rotatif.
- Pour éviter d'endommager le four à micro-ondes, ne pas laisser un autre objet métallique entrer en contact avec le four à micro-ondes pendant la cuisson.

Ne pas utiliser

Les ustensiles de cuisson en métal, or, argent ou étain, les thermomètres à viande non approuvés, les brochettes, les attaches, les doublures de papier d'aluminium comme les emballages de sandwich, les agrafes et autres objets avec garniture en or, en argent ou avec un enduit métallique.

Menu de cuisson

Le four à micro-ondes a été programmé avec des aliments communs allant au four à micro-ondes, ainsi que leurs quantités, puissances de cuisson et durées de cuisson.

Utiliser le tableau suivant comme guide pour la cuisson prérégulée.

Article	Catégories d'aliment	Quantité
P1	Légumes frais À partir de la température ambiante. Mettre l'aliment dans un plat allant au four à micro-ondes. Ajouter 2 cuillères à table d'eau à 1 ou 2 tasses, ajouter 4 cuillères à table d'eau à 3 ou 4 tasses. Couvrir le plat en laissant une ouverture pour l'aération. Remuer et laisser reposer 2 à 3 minutes après la cuisson.	1-4 tasses (cuisson avec détection)
P2	Légumes surgelés Mettre les légumes surgelés. Placer dans un plat allant au four à micro-ondes. Ajouter 2 cuillères à table d'eau à 1 ou 2 tasses, ajouter 4 cuillères à table d'eau à 3 ou 4 tasses. Couvrir le plat en laissant une ouverture pour l'aération. Remuer et laisser reposer 3 minutes après la cuisson.	1-4 tasses (cuisson avec détection)
P3	Gruau Mettre le gruau dans un plat allant au four à micro-ondes et ajouter de l'eau selon les instructions sur l'emballage, couvrir avec pellicule plastique et replier un bord environ 1/4 po (6 mm) pour faire un évent. Placer le plat au centre du four. Après la cuisson, remuer avec une cuillère ou un fouet jusqu'à consistance homogène.	1-4 tasses (cuisson avec détection)
P4	Plat surgelé Retirer le plat surgelé de l'emballage et desserrer la pellicule qui recouvre les 3 côtés du récipient en laissant l'un des petits côtés encore attaché. Couvrir lâchement de pellicule.	10 oz/ 20 oz (cuisson avec détection)

Maïs à éclater

Sacs de 3,0 ou 3,5 oz.

- Ne pas utiliser de sachets de papier ordinaire ou d'articles en verre.
- Ne préparer qu'un sac de maïs à éclater à la fois.
- Suivre les instructions du fabricant lors de l'utilisation d'un éclateur de maïs pour four à micro-ondes.
- Attendre que l'éclatement ralentisse à 1 éclatement toutes les 1 ou 2 secondes, puis mettre fin au programme.
- Ne pas essayer de faire éclater les grains qui n'ont pas éclaté la première fois.
- Pour de meilleurs résultats, utiliser des sachets de maïs à éclater frais.
- Les résultats de cuisson peuvent varier en fonction de la marque et de la teneur en matières grasses.

REMARQUE : Suivre les instructions par le fabricant de maïs à éclater pour four à micro-ondes.

Pomme de terre

Article	Catégories d'aliment	Quantité
L – grosse	Entrer 1 à 4 morceaux, 8 à 10 oz (227 à 283 g) chacun. Percer plusieurs fois chaque pomme de terre avec une fourchette. Placer sur de l'essuie-tout ou le centre du plateau rotatif. Laisser reposer 5 minutes après la cuisson.	1, 2, 3, 4 morceaux/1 morceau
S – Petite pomme de terre	Entrer 1 à 16 morceaux, 4 à 7 oz (110 à 200 g) chacun. Percer plusieurs fois chaque pomme de terre avec une fourchette. Placer sur de l'essuie-tout ou le centre du plateau rotatif. Laisser reposer 5 minutes après la cuisson.	1-16 morceaux/1 morceau

Menu de Réchauffage

La durée et la puissance de cuisson ont été préréglées pour réchauffer plusieurs types d'aliments.

Utiliser le tableau suivant comme guide.

Article	Catégories d'aliment	Quantité
P1	Assiettée Placer les aliments sur l'assiette. Recouvrir d'une pellicule de plastique et laisser une ouverture pour laisser l'air s'échapper. Laisser reposer 2 à 3 minutes après le réchauffage.	10 à 15 oz (283 à 425 g) (Cuisson par détection)
P2	Sauce Placer dans un plat allant au four à micro-ondes. Recouvrir d'une pellicule de plastique et laisser une ouverture pour laisser l'air s'échapper. Remuer et laisser reposer 2 à 3 minutes après le réchauffage.	1, 2, 3, 4 tasses
P3	Soupe Placer dans un plat allant au four à micro-ondes. Recouvrir d'une pellicule de plastique et laisser une ouverture pour laisser l'air s'échapper. Remuer et laisser reposer 2 à 3 minutes après le réchauffage.	1, 2, 3, 4 tasses
P4	Boisson Ne pas couvrir.	1, 2, 3, 4 tasses
P5	Réchauffer la pizza Placer sur une assiette résistante aux micro-ondes avec un essuie-tout posé par-dessus.	1-3 pointes, 4 oz (113 g) par pointe (cuisson par détection)

Menu Ramollir

La fonction Soften (Faire ramollir) peut être utilisée pour faire ramollir vos aliments. La durée et la puissance de cuisson ont été préréglées pour plusieurs types d'aliments. Utiliser le tableau suivant comme guide.

Article	Catégories d'aliment	Quantité
P1	Beurre Déballer et placer dans un récipient résistant aux micro-ondes.	0,5 à 2,0 bâtons/0,5 bâton
P2	Crème glacée Placer le pot de crème glacée sur le plateau rotatif.	16-64 oz/16 oz (454 g-1,8 kg/454 g)
P3	Fromage à la crème Déballer et placer dans un récipient résistant aux micro-ondes.	3 oz, 8 oz (85 g, 227 g)
P4	Cassonade Placer dans un plat allant au four à micro-ondes.	3 oz, 8 oz (85 g, 227 g)
P5	Jus congelé Retirer le couvercle.	8 oz, 12 oz (227 g, 340 g)
P6	Trempe au caramel Retirer le couvercle de la trempe au caramel et placer au centre du four à micro-ondes.	8-16 oz/8 oz (227 g, 454 g)

Menu Faire fondre

La fonction Melt (Faire fondre) peut être utilisée pour faire fondre vos aliments. La durée et la puissance de cuisson ont été préréglées pour plusieurs types d'aliments. Utiliser le tableau suivant comme guide.

Article	Catégories d'aliment	Quantité
P1	Beurre Déballer et placer dans un récipient résistant aux micro-ondes.	0,5-2,0 bâtons/ 0,5 bâton
P2	Pépites de chocolat Placer dans un plat allant au four à micro-ondes.	4 à 12 oz/4 oz (113 g à 340 g/113 g)
P3	à la crème Déballer et placer dans un récipient résistant aux micro-ondes.	8 oz, 16 oz (227 g, 454 g)
P4	Trempe au caramel Déballer et placer dans un récipient résistant aux micro-ondes.	8 oz, 16 oz (227 g, 454 g)

Menu de DÉCONGÉLATION

- Pour des résultats optimaux, la température de l'aliment doit être inférieure ou égale à 0 °F (-18 °C) lors de la décongélation.
- Déballez les aliments et enlevez les couvercles (des jus de fruits) avant la décongélation.
- Les paquets peu épais décongèlent plus rapidement que les morceaux épais.
- Séparer les morceaux d'aliments le plus tôt possible durant ou à la fin du programme pour une décongélation plus uniforme.
- Les aliments laissés hors du congélateur pendant plus de 20 minutes ou les plats préparés surgelés ne doivent pas être décongelés en utilisant la caractéristique Defrost (Décongélation), mais doivent être décongelés manuellement.
- Utiliser de petits morceaux de papier d'aluminium pour protéger les aliments comme les ailes et pilons de poulet ainsi que les queues de poisson. Voir d'abord la section « Papier d'aluminium et métal ».
- La durée et la puissance de cuisson ont été pré-réglées pour décongeler plusieurs types d'aliments.

Article	Catégories d'aliment	Poids
P1 (Décongélation manuelle)	–	–
P2	Volaille	0,2 lb-6,6 lb/0,1 lb
P3	Viande	0,2 lb-6,6 lb/0,1 lb
P4	Poisson	0,2 lb-6,6 lb/0,1 lb

TABLEAU DE PRÉPARATION DE DÉCONGÉLATION

VOLAILLE Poulet : entier et en morceaux Poulets de Cornouailles Dinde : poitrine	Placer dans un contenant allant au micro-ondes, la poitrine de poulet vers le haut. Enlever les abats du poulet entier.
VIANDE Bœuf : haché, bifteck, rôti, ragoût Agneau : ragoût et côtelettes Porc : côtelettes, côtes, rôtis, saucisse	Les sections étroites ou grasses des morceaux de forme irrégulière doivent être recouvertes de papier d'aluminium avant la décongélation. Ne pas décongeler moins de 1/4 lb (113 g) ou deux galettes de 4 oz (113 g). Placer toutes les viandes dans un contenant allant au micro-ondes.
POISSON Filets, dardes, entier, crustacés	Placer dans un contenant allant au four à micro-ondes.

Steam Clean (Nettoyage à la vapeur)

Ce programme de nettoyage automatique vous aidera à nettoyer la cavité du four à micro-ondes et à éliminer les odeurs désagréables.

Avant de démarrer le programme :

1. Verser 250 ml d'eau dans un récipient (voir nos recommandations dans la section ci-dessous « Conseils et suggestions »).
2. Placer le récipient directement au milieu de la cavité.

Pour démarrer le programme :

1. Appuyer sur le bouton Steam Clean (Nettoyage à la vapeur), la durée du programme de nettoyage sera visible sur l'afficheur.
2. Appuyer sur le bouton START (MISE EN MARCHÉ) pour démarrer la fonction.

Une fois le programme terminé :

1. Appuyer sur le bouton STOP/UNLOCK (MISE EN MARCHÉ/PAUSE).
2. Retirer le récipient.
3. Utiliser un chiffon doux ou une serviette en papier avec du détergent doux pour nettoyer les surfaces intérieures.

Conseils et suggestions :

Pour un meilleur résultat de nettoyage, il est recommandé d'utiliser un récipient d'un diamètre de 17-20 cm et d'une hauteur inférieure à 6,5 cm.

Il est recommandé d'utiliser un récipient en matière plastique légère qui convient au micro-ondes.

Étant donné que le récipient sera chaud une fois le programme de nettoyage terminé, il est recommandé d'utiliser un gant résistant à la chaleur pour retirer le récipient du four à micro-ondes.

Pour un meilleur effet nettoyant et une élimination des odeurs désagréables, ajouter du jus de citron ou du vinaigre à l'eau.

Keep Warm (Maintien au chaud)

Cette fonction permet de garder les plats au chaud.

1. Appuyer sur le bouton Keep Warm (Maintien au chaud).
2. Appuyer sur les boutons 0-9 pour sélectionner une durée appropriée, puis appuyer sur le bouton START/+30 Sec (MISE EN MARCHÉ/+ 30 s) pour démarrer. La durée par défaut est de 30 minutes, la durée maximale est de 60 minutes.

Aliment	Poids du récipient	Température	Plat
Thon	4 tasses	165 °F	Plat allant au micro-ondes
Nouille	(880 g)	(73,8 °C)	
Casserole			

UTILISATION DU FOUR À MICRO-ONDES

Nettoyage général

IMPORTANT : Avant le nettoyage, s'assurer que toutes les commandes sont désactivées et que le four à micro-ondes est froid. Toujours suivre les instructions figurant sur les étiquettes des produits de nettoyage.

L'usage de savon, d'eau et d'un chiffon doux ou d'une éponge est suggéré, sauf indication contraire.

CAVITÉ DU FOUR À MICRO-ONDES

Afin d'éviter d'endommager la cavité du four à micro-ondes, ne pas utiliser de tampons à récurer savonneux, de nettoyants abrasifs, de tampons en laine d'acier, de chiffons de lavage rêches ou certains essuie-tout.

Pour éviter d'endommager les modèles en acier inoxydable, frotter dans le sens du grain.

La zone de contact entre la porte fermée et le cadre du four à micro-ondes doit être maintenue propre.

Saleté moyenne

- Savons et détergents doux, non abrasifs : Rincer à l'eau propre et sécher avec un chiffon doux sans charpie.

Saleté tenace

- Savons et détergents doux, non abrasifs : Faire chauffer une tasse (250 ml) d'eau pendant 2 à 5 minutes dans le four à micro-ondes. La vapeur amollira la saleté. Rincer à l'eau propre et sécher avec un chiffon doux sans charpie.

Odeurs

- Jus de citron ou vinaigre : Faire chauffer une tasse (250 ml) d'eau avec 1 c. à soupe (15 ml) de jus de citron ou de vinaigre pendant 2 à 5 minutes dans le four à micro-ondes.

Capot d'orifice du tiroir à micro-ondes

Pour éviter de créer des arcs ou d'endommager le four à micro-ondes, le capot d'orifice (vois la section « Pièces et caractéristiques ») devrait toujours être propre.

- L'essuyer à l'aide d'un chiffon humide.

EXTÉRIEUR ET PORTE DU FOUR À MICRO-ONDES

La zone de contact entre la porte fermée et le cadre du four à micro-ondes doit être maintenue propre.

- Savons et détergents doux, non abrasifs : Rincer à l'eau propre et sécher avec un chiffon doux sans charpie.
- Nettoyant à vitre et serviette de papier ou tampon à récurer non abrasif en plastique : Vaporiser du nettoyant à vitre sur la serviette, pas directement sur la surface.

Acier inoxydable (sur certains modèles)

Afin d'éviter d'endommager l'extérieur et la porte du four à micro-ondes, ne pas utiliser de tampons à récurer savonneux, de nettoyants abrasifs, de tampons en laine d'acier, de chiffons de lavage rêches ou certains essuie-tout. Frotter dans le sens du grain.

- Nettoyant pour acier inoxydable (vendu séparément) : Voir la section « Assistance ou service » pour commander.
- Détergent liquide ou nettoyant tout usage : Rincer à l'eau propre et sécher avec un chiffon doux sans charpie.
- Vinaigre pour les taches d'eau dure

TABLEAU DE COMMANDE

- Éponge ou chiffon doux et eau : Mouiller l'éponge et essuyer le panneau. Sécher avec un chiffon doux.
- Afin d'éviter d'endommager le tableau de commande, ne pas utiliser de nettoyants chimiques ou abrasifs.

PLATEAU ROTATIF

Remettre le plateau rotatif en place immédiatement après le nettoyage. Ne pas faire fonctionner le four à micro-ondes lorsque le plateau rotatif est enlevé.

- Nettoyant doux et tampon à récurer
- Lave-vaisselle

DÉPANNAGE

Essayer d'abord les solutions suggérées ici. Pour obtenir de l'aide ou des recommandations supplémentaires pour éviter un appel de service, consulter la garantie ou visiter le www.kitchenaid.com/owners. Au Canada, visiter le www.kitchenaid.ca/propretaire.

Il est possible d'adresser ses commentaires ou questions par courrier à l'adresse suivante :

Aux États-Unis :

KitchenAid Brand Home Appliances
Customer eXperience Center
553 Benson Road
Benton Harbor, MI 49022-2692

Au Canada :

KitchenAid Brand Home Appliances
Customer eXperience Center
200 – 6750 Century Ave.
Mississauga, Ontario L5N 0B7

Indiquer dans votre correspondance un numéro de téléphone où l'on peut vous joindre dans la journée.

Si les problèmes suivants surviennent	Solutions recommandées
Rien ne fonctionne	Vérifier ce qui suit : <ul style="list-style-type: none">■ Fusible ou disjoncteur : Si le fusible est grillé ou que le disjoncteur s'est déclenché, remplacer le fusible ou réenclencher le disjoncteur. Si le problème persiste, appeler un électricien.
Le four à micro-ondes ne fonctionne pas	Vérifier ce qui suit : <ul style="list-style-type: none">■ Magnétron : Faire chauffer 1 tasse (250 ml) d'eau froide pendant 2 minutes à puissance de cuisson maximale. Si l'eau ne chauffe pas, essayer les étapes ci-dessous. Si le four à micro-ondes ne fonctionne toujours pas, faire un appel de service.■ Porte : Bien fermer la porte. Sur certains modèles, si une cale d'espacement est fixée à l'intérieur de la porte, la retirer puis bien fermer la porte. Si un message concernant la porte s'affiche, la porte a été fermée depuis au moins 5 minutes sans que le four à micro-ondes ait été mis en marche. Le but du message est d'éviter une mise en marche accidentelle du four à micro-ondes. Ouvrir et fermer la porte, puis démarrer le programme.■ STOP/UNLOCK (ARRÊT/DÉVERROUILLAGE) : Vérifier que STOP/UNLOCK (ARRÊT/DÉVERROUILLAGE) est désactivé. Vérifier que le mode Demo (Démonstration) (sur certains modèles) est éteint.
Le four à micro-ondes bourdonne	<ul style="list-style-type: none">■ Ce bruit est normal et se produit lorsque le bloc d'alimentation dans le magnétron se met en marche.
La porte du four à micro-ondes semble gondolée	<ul style="list-style-type: none">■ Ceci est normal et n'affecte pas la performance.
Le plateau rotatif ne fonctionne pas	Vérifier ce qui suit : <ul style="list-style-type: none">■ Plateau rotatif : S'assurer que le plateau rotatif est à l'endroit et repose bien sur son support. Voir la section « Plateau rotatif ».■ Support du plateau rotatif : Retirer le plateau rotatif. Retirer et nettoyer l'axe, les roulettes et le support du plateau rotatif. Replacer l'axe, le support et le plateau rotatif. Placer une tasse (250 ml) d'eau sur le plateau rotatif, puis remettre le four à micro-ondes en marche. S'il ne fonctionne toujours pas, faire un appel de service. Voir la section « Garantie ». Ne pas faire fonctionner le four à micro-ondes si le plateau rotatif et son support ne fonctionnent pas correctement.
Le plateau rotatif tourne dans les deux sens	<ul style="list-style-type: none">■ Ceci est normal et dépend de la rotation du moteur au début du programme.
Des messages s'affichent	<ul style="list-style-type: none">■ L'affichage clignotant « 0:00 » signifie qu'il y a eu une panne de courant. Régler à nouveau l'horloge.
L'afficheur indique le compte à rebours, mais le four à micro-ondes ne fonctionne pas	Vérifier ce qui suit : <ul style="list-style-type: none">■ Timer (Minuterie) : Consulter la section « Minuterie ».
Les signaux sonores ne retentissent pas	Vérifier ce qui suit : <ul style="list-style-type: none">■ Signaux sonores : Voir la section « Signaux sonores ».
Les durées de cuisson semblent trop longues	Vérifier ce qui suit : <ul style="list-style-type: none">■ La puissance de cuisson : Consulter le « Tableau de puissance de cuisson du four à micro-ondes ».■ Quantité d'aliments : Les quantités plus grandes d'aliments nécessitent des durées de cuisson plus longues.■ Tension : Faire vérifier le système électrique du domicile par un électricien qualifié.
Interférence des signaux radio, de télévision et de téléphones sans fil	Vérifier ce qui suit : <ul style="list-style-type: none">■ Proximité : Déplacer le récepteur pour l'éloigner du four à micro-ondes ou régler l'antenne de la radio ou du téléviseur. Si le four à micro-ondes est branché sur la même prise, essayer une autre prise pour l'appareil électronique.■ Saleté : Vérifier que la porte du four à micro-ondes et les surfaces d'étanchéité sont propres.■ Fréquence : Certains téléphones sans fil et réseaux domestiques sans fil à 2,4 GHz peuvent être parasites lorsque le four à micro-ondes est en marche. Utiliser un téléphone avec fil, un téléphone sans fil avec une fréquence différente ou éviter d'utiliser ces appareils pendant le fonctionnement du four à micro-ondes.

ASSISTANCE OU DÉPANNAGE

Pour obtenir un dépannage :

Pour plus d'informations sur la garantie, visiter le www.kitchenaid.com/owners.

Pour obtenir des pièces de rechange :

Pour commander des pièces de rechange, nous vous recommandons d'utiliser seulement des pièces spécifiées par l'usine. Les pièces de rechange spécifiées par l'usine conviendront et fonctionneront bien parce qu'elles sont fabriquées selon la même précision que celle utilisée pour fabriquer chaque nouvel appareil KitchenAid.

Pour savoir où trouver des pièces spécifiées par l'usine dans votre région, nous appelons ou contactons le centre de service désigné par KitchenAid le plus proche.

Aux É.-U.

Appeler sans frais le Whirlpool Customer eXperience Center au : **1 800 422-1230** ou visiter notre site Web au www.kitchenaid.com/owners.

Nos conseillers peuvent vous aider sur les points suivants :

- Programmation d'une intervention de dépannage. Les techniciens de service désignés par la gamme des appareils électroménagers Whirlpool sont formés pour remplir la garantie des produits et fournir un service après garantie partout aux États-Unis.
- Caractéristiques et spécifications de notre gamme complète d'appareils ménagers.
- Consulter le revendeur local d'appareils Whirlpool.
- Renseignements sur l'installation.
- Procédures d'utilisation et d'entretien.
- Vente d'accessoires et de pièces de rechange.
- Assistance spécialisée au client (langue espagnole, malentendants, malvoyants, etc.).

Pour plus d'assistance :

Pour obtenir plus d'assistance, écrire à Whirlpool en soumettant tout question ou problème à :

KitchenAid Brand Home Appliances
Customer eXperience Center
553 Benson Road
Benton Harbor, MI 49022-2692

Indiquer dans votre correspondance un numéro de téléphone où l'on peut vous joindre dans la journée.

Au Canada

Appeler sans frais le Whirlpool Customer eXperience Center au : **1 800 807-6777** ou visiter notre site Web au www.kitchenaid.ca/proprietaire.

Nos conseillers peuvent vous aider sur les points suivants :

- Programmation d'une intervention de dépannage. Les techniciens de service désignés par la gamme d'appareils électroménagers Whirlpool sont formés pour remplir la garantie des produits et fournir un service après la garantie, partout au Canada.
- Caractéristiques et spécifications de notre gamme complète d'appareils ménagers.
- Consulter le revendeur local d'appareils Whirlpool.
- Procédures d'utilisation et d'entretien.
- Vente d'accessoires et de pièces de rechange.

Pour plus d'assistance :

Pour obtenir plus d'assistance, écrire à Whirlpool en soumettant tout question ou problème à :

KitchenAid Brand Home Appliances
Customer eXperience Center
200 - 6750 Century Ave.
Mississauga, Ontario L5N 0B7

Indiquer dans votre correspondance un numéro de téléphone où l'on peut vous joindre dans la journée.

Pièces de rechange

Plateau rotatif en verre
Numéro de pièce W11664476
Support et roulettes du plateau rotatif
Numéro de pièce W11664467

Axe du plateau rotatif
Numéro de pièce
W11664468

Trousses pour fours encastrés

Ce four à micro-ondes de comptoir peut être encastré à l'aide de l'une des trousse suivantes*. Ces trousse sont disponibles auprès du marchand ou peuvent être commandées en indiquant le numéro de modèle de la trousse. Voir la section « Assistance ou dépannage » pour le numéro sans frais.

Taille de la trousse	Numéros de modèles de la trousse/couleur
27 po (68,6 cm)	MTK1627PB/MTK1627PZ
30 po (76,2 cm)	MTK1630PB/MTK1630PZ

*Les garnitures intégrées (trousse de garniture) peuvent être installées par-dessus n'importe quel four (électrique) encastré dans le mur, jusqu'à 30 po (76,2 cm).