

KitchenAid® 36" (91.4 cm) Classic Commercial Style Dual Fuel Convection Range

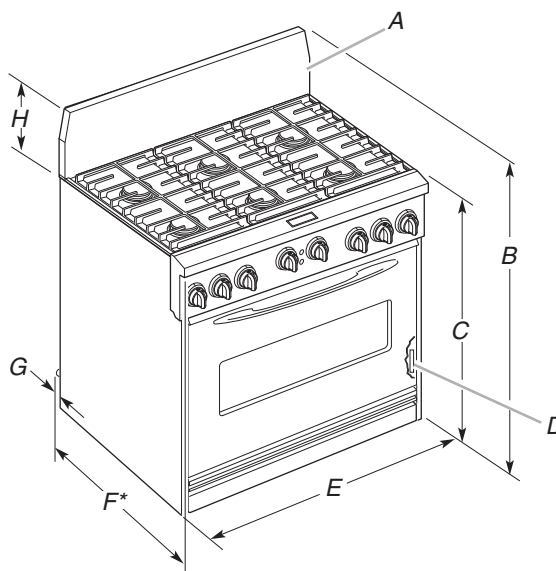
PRODUCT MODEL NUMBERS

KDRP467K

Gas supply: Use 3/4" (1.9 cm) rigid pipe gas supply line to the range location. A smaller size pipe on longer runs may result in insufficient gas supply. With L.P. gas, piping or tubing size can be 1/2" (1.3 cm) minimum. If local codes permit, it is recommended that new flexible metal tubing, design-certified by CSA, 4-5 feet (122-152.4 cm) long, 5/8" (1.6 cm) or 3/4" (1.9 cm) I.D., be used for connecting the range to the rigid gas supply line. A 1/2" (1.3 cm) male pipe thread is needed for connection to pressure regulator female pipe threads. An individual manual shutoff valve must be located in the same room, but external to the range.

Electrical: A four-wire or three-wire, single phase, 120/240-volt, 60-Hz, AC-only, electrical supply is required on a separate 30-amp circuit, fused on both sides of the line. A time-delay fuse or circuit breaker is recommended.

PRODUCT DIMENSIONS



- A. Backguard (required for some installations)
- B. 45" (114.3 cm) overall height
- C. 36" (91.4 cm) cooktop height with feet loosened 3/4 turn
- D. Model/serial rating plate (right vertical surface of oven door frame.)
- E. 36" (91.4 cm) width
- F. 26-1/2" (67.3 cm) depth with control panel*
- G. 1/4" (0.64 cm) spacer
- H. 9-1/4" (23.5 cm) backguard height

*When installed in a 24" (61 cm) base cabinet with 25" (63.5 cm) countertop; front of oven door protrudes 1-7/8" (4.8 cm) beyond 24" (61 cm) base cabinet.

CABINET OPENING DIMENSIONS

Cabinet opening dimensions shown are for 25" (64 cm) countertop depth, 24" (61 cm) base cabinet depth and 36" (91.4 cm) countertop height.

IMPORTANT: If installing a range hood above the range, follow the range hood instructions for dimensional clearances above the cooktop surface.

- A. 18" (45.7 cm) upper cabinet to countertop
- B. 28" (71.1 cm)
- C. Junction box to be located in this shaded area. See NOTE*.
- D. 4" (10.2 cm)
- E. 20" (50.8 cm)
- F. 12" (30.5 cm)
- G. 5-1/2" (14 cm)
- H. Gas line opening to be located in this shaded area
- I. 3-1/2" (8.9 cm)
- J. 8" (20.3 cm)
- K. 36-1/4" (92.1 cm)
- L. 4" (10.2 cm) min. clearance from both sides of range to side wall or other combustible material
- M. For minimum clearance to top of range, see NOTE**.
- N. 36" (91.4 cm) minimum upper cabinet width
- O. 13" (33 cm) maximum upper cabinet depth

*NOTE: Receptacle must be rotated 90° for Canadian installation.

**NOTE: 42" (106.7 cm) minimum when bottom of wood or metal cabinet is covered by not less than 1/4" (0.64 cm) flame retardant millboard covered with not less than No. 28 MSG sheet steel, 0.015" (0.4 mm) stainless steel, 0.024" (0.6 mm) aluminum or 0.020" (0.5 mm) copper.

48" (121.9 cm) minimum clearance between the top of the cooking platform and the bottom of an uncovered wood or metal cabinet.

