

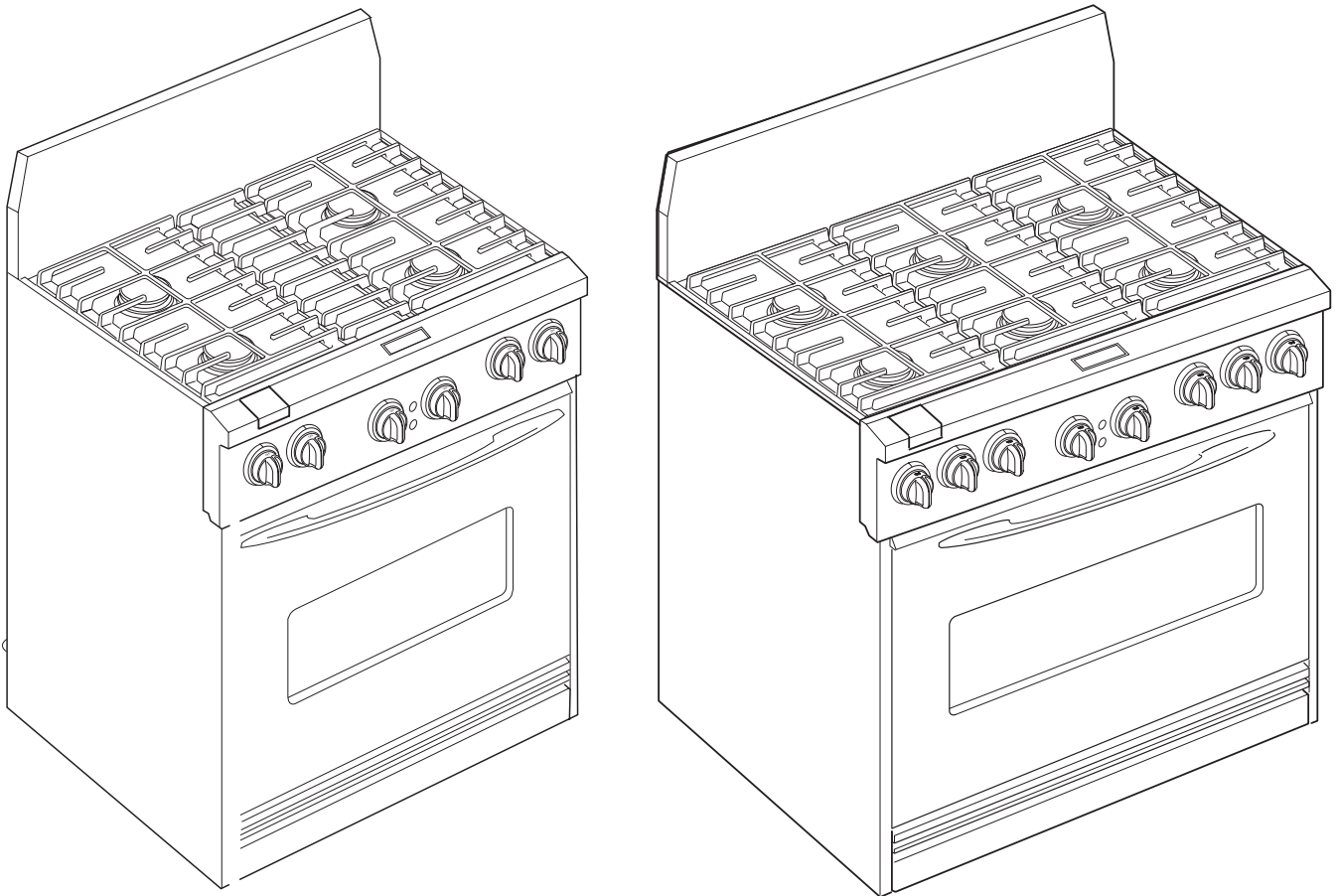
**KitchenAid®**

---

**30" (76.2 CM) AND 36" (91.4 CM)  
CLASSIC COMMERCIAL-STYLE DUAL FUEL  
CONVECTION RANGE WITH STEAM-ASSIST  
INSTALLATION INSTRUCTIONS**  
for residential use only

---

Table of Contents.....2



---

# TABLE OF CONTENTS

|  |           |
|--|-----------|
| <b>RANGE SAFETY .....</b>              | <b>3</b>  |
| <b>INSTALLATION REQUIREMENTS .....</b> | <b>4</b>  |
| Tools and Parts .....                  | 4         |
| Location Requirements .....            | 4         |
| Electrical Requirements .....          | 7         |
| Gas Supply Requirements .....          | 7         |
| <b>INSTALLATION INSTRUCTIONS .....</b> | <b>9</b>  |
| Unpack Range.....                      | 9         |
| Level Range.....                       | 9         |
| Install Anti-Tip Bracket.....          | 9         |
| Make Electrical Connection .....       | 10        |
| Attach Backguard or Island Trim .....  | 11        |
| Make Gas Connection .....              | 11        |
| Electronic Ignition System .....       | 12        |
| Reinstall Bottom Vent .....            | 13        |
| Complete Installation .....            | 13        |
| <b>WIRING DIAGRAMS.....</b>            | <b>13</b> |

# RANGE SAFETY

## Your safety and the safety of others are very important.

We have provided many important safety messages in this manual and on your appliance. Always read and obey all safety messages.



This is the safety alert symbol.

This symbol alerts you to potential hazards that can kill or hurt you and others.

All safety messages will follow the safety alert symbol and either the word "DANGER" or "WARNING."

These words mean:

**⚠ DANGER**

You can be killed or seriously injured if you don't immediately follow instructions.

**⚠ WARNING**

You can be killed or seriously injured if you don't follow instructions.

All safety messages will tell you what the potential hazard is, tell you how to reduce the chance of injury, and tell you what can happen if the instructions are not followed.

**WARNING: For your safety, the information in this manual must be followed to minimize the risk of fire or explosion, or to prevent property damage, personal injury, or death.**

- Do not store or use gasoline or other flammable vapors and liquids in the vicinity of this or any other appliance.
- **WHAT TO DO IF YOU SMELL GAS:**
  - Do not try to light any appliance.
  - Do not touch any electrical switch; do not use any phone in your building.
  - Clear the room, building, or area of all occupants.
  - Immediately call your gas supplier from a neighbor's phone. Follow the gas supplier's instructions.
  - If you cannot reach your gas supplier, call the fire department.
- Installation and service must be performed by a qualified installer, service agency, or the gas supplier.

In the State of Massachusetts, the following installation instructions apply:

- Installations and repairs must be performed by a qualified or licensed contractor, plumber, or gasfitter qualified or licensed by the State of Massachusetts.
- If using a ball valve, it shall be a T-handle type.
- A flexible gas connector, when used, must not exceed 3 feet.

## ⚠ WARNING

### Tip Over Hazard

A child or adult can tip the range and be killed.

Connect anti-tip bracket to wall behind range.

Reconnect the anti-tip bracket, if the range is moved.

Failure to follow these instructions can result in death or serious burns to children and adults.



## INSTALLATION REQUIREMENTS

### Tools and Parts

Gather the required tools and parts before starting installation. Read and follow the safety instructions provided with any tools listed here.

#### Tools needed

- Tape measure
- Flat-blade screwdriver
- Phillips screwdriver
- Level
- Hand or electric drill
- Channel lock pliers
- Pipe wrench
- $\frac{1}{16}$ " combination wrench
- Marker or pencil
- Masking tape
- Pipe-joint compound resistant to LP gas
- Noncorrosive leak-detection solution
- Stud finder

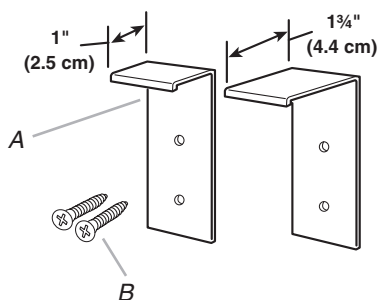
#### Parts needed

- A UL listed or CSA approved conduit connector
- UL listed wire nuts

#### Parts supplied

Check that all parts are included.

- Anti-tip bracket kit



A. Anti-tip bracket

B. #10 x 2" Phillips head screws (2)

**NOTE:** Brackets must be securely attached to wall stud. Thickness of finished wall may require longer screws to anchor bracket to wall. Longer screws are available from your local hardware store. See "Install Anti-Tip Bracket" section.

- Backguard and attachment screws (7).  
**NOTE:** The backguard included with the range is required if installed with less than 1" (2.5 cm) clearance from a combustible rear wall.
- Island trim and attachment screws (3).  
**NOTE:** The island trim included with the range may be used if installed with 1" (2.5 cm) clearance from a combustible rear wall or with 0" (0 cm) clearance from a noncombustible rear wall.
- LP conversion kit.  
**NOTE:** The cooktop is manufactured for use with Natural gas. To convert to LP gas, see the gas conversion instructions provided in the literature package.

Check local codes and consult gas supplier. Check existing gas supply and electrical supply. See "Electrical Requirements" and "Gas Supply Requirements" sections.

All electrical connections should be made by a licensed, qualified electrical installer.

### Location Requirements

**IMPORTANT:** Observe all governing codes and ordinances. Do not obstruct flow of combustion and ventilation air.

- It is the installer's responsibility to comply with installation clearances specified on the model/serial rating plate. The model/serial rating plate is located on the vertical surface below the control panel on the right.
- It is recommended that a 600 CFM range hood be installed above the range.
- Recessed installations must provide complete enclosure of the sides and rear of the range.
- To eliminate the risk of burns or fire by reaching over heated surface units, cabinet storage space located above the surface units should be avoided. If cabinet storage is to be provided, the risk can be reduced by installing a range hood that projects horizontally a minimum of 5" (12.7 cm) beyond the bottom of the cabinets.
- All openings in the wall or floor where range is to be installed must be sealed.

- Do not seal the range to the side cabinets.
- Cabinet opening dimensions that are shown must be used. Given dimensions are minimum clearances.
- The wall anti-tip bracket must be installed. To install the anti-tip bracket shipped with the range, see "Install Anti-Tip Bracket" section.
- Grounded electrical supply is required. See "Electrical Requirements" section.
- Proper gas supply connection must be available. See "Gas Supply Requirements" section.
- Contact a qualified floor covering installer to check that the floor covering can withstand at least 200°F (93°C). Use an insulated pad or ¼" (0.64 cm) plywood over carpet and under range if installing range over carpeting.

**IMPORTANT:** Some cabinet and building materials are not designed to withstand the heat produced by the oven for baking and self-cleaning. Check with your builder or cabinet supplier to make sure that the materials used will not discolor, delaminate or sustain other damage.

**Mobile Home - Additional Installation Requirements**

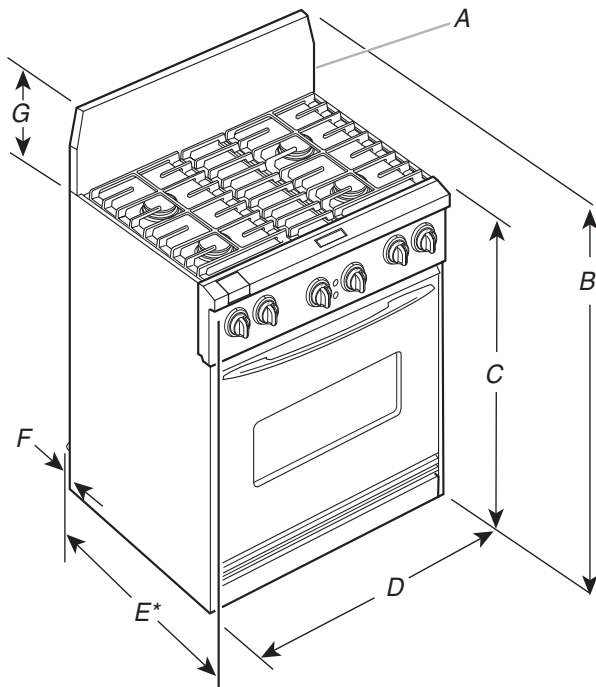
The installation of this range must conform to the Manufactured Home Construction and Safety Standard, Title 24 CFR, Part 3280 (formerly the Federal Standard for Mobile Home Construction and Safety, Title 24, HUD Part 280). When such standard is not applicable, use the Standard for Manufactured Home Installations, ANSI A225.1/NFPA 501A or with local codes.

**Mobile home installations require:**

- When this range is installed in a mobile home, it must be secured to the floor during transit. Any method of securing the range is adequate as long as it conforms to the standards listed above.

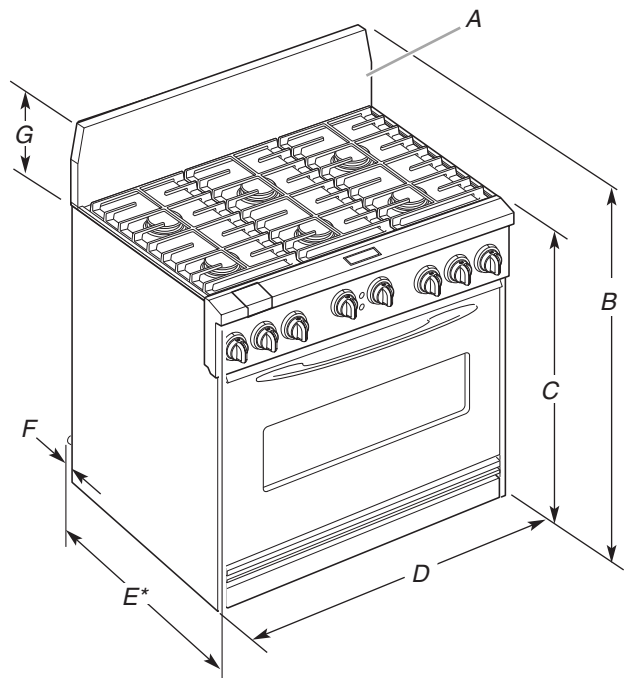
**Product Dimensions**

**30" (76.2 cm) models**



- A. Backguard (required for some installations)
- B. 45" (114.3 cm) overall height
- C. 36" (91.4 cm) cooktop height with feet loosened ¼ turn
- D. 30" (76.2 cm) width
- E. 26½" (67.3 cm) width with control panel, see NOTE\*
- F. ¼" (6.4 cm) spacer
- G. 9¼" (23.5 cm) backguard height

**36" (91.7 cm) models]**



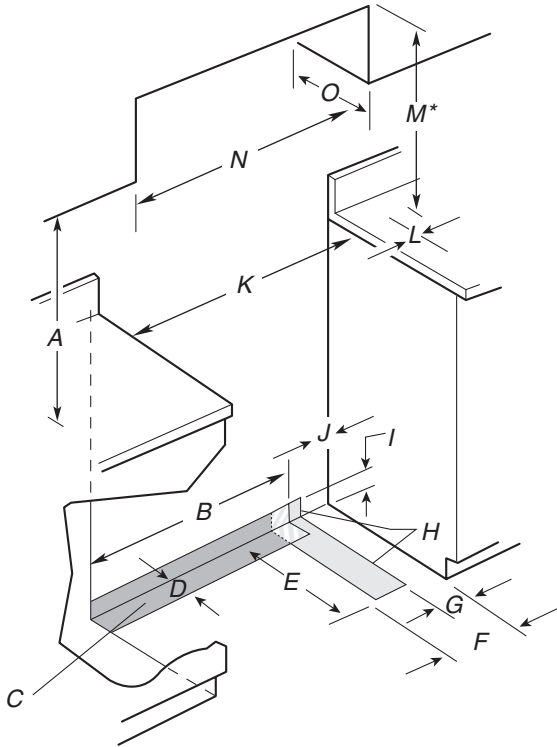
- A. Backguard (required for some installations)
- B. 45" (114.3 cm) overall height
- C. 36" (91.4 cm) cooktop height with feet loosened ¼ turn
- D. 36" (91.4 cm) width
- E. 26½" (67.3 cm) width with control panel, See NOTE\*
- F. ¼" (6.4 cm) spacer
- G. 9¼" (23.5 cm) backguard height

\*When installed in a 24" (61 cm) base cabinet with 25" (63.5 cm) countertop; front of oven door protrudes 17⁄8" (4.8 cm) beyond 24" (61 cm) base cabinet.

## Installation Clearances

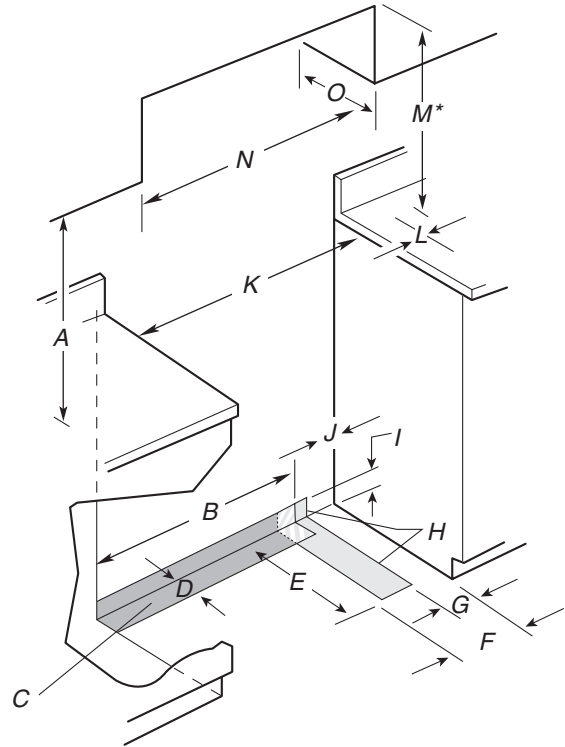
Cabinet opening dimensions shown are for 25" (64 cm) countertop depth, 24" (61 cm) base cabinet depth and 36" (91.4 cm) countertop height.

### 30" (76.2 cm) models



- A. 18" (45.7 cm) upper cabinet to countertop
- B. 30" (76.2 cm) model: B = 22" (55.9 cm)
- C. Junction box to be located in this shaded area
- D. 4" (10.2 cm)
- E. 20" (50.8 cm)
- F. 12" (30.5 cm)
- G. 5½" (14 cm)
- H. Gas line opening to be located in this shaded area
- I. 3½" (8.9 cm)
- J. 8" (20.3 cm)
- K. 30" (76.2 cm) model: K = 30¼" (76.8 cm)
- L. 4" (10.2 cm) min. clearance from both sides of range to side wall or other combustible material
- M. For minimum clearance to top of range, see NOTE\*
- N. 30" (76.2 cm) model: 30" (76.2 cm) min. upper cabinet width
- O. 13" (33 cm) max. upper cabinet depth

### 36" (91.4 cm) models



- A. 18" (45.7 cm) upper cabinet to countertop
- B. 36" (91.4 cm) model: B = 28" (71.1 cm)
- C. Junction box to be located in this shaded area
- D. 4" (10.2 cm)
- E. 20" (50.8 cm)
- F. 12" (30.5 cm)
- G. 5½" (14 cm)
- H. Gas line opening to be located in this shaded area
- I. 3½" (8.9 cm)
- J. 8" (20.3 cm)
- K. 36" (91.4 cm) model: K = 36¼" (92.1 cm)
- L. 4" (10.2 cm) min. clearance from both sides of range to side wall or other combustible material
- M. For minimum clearance to top of range, see NOTE\*
- N. 36" (91.4 cm) model: 36" (91.4 cm) min. upper cabinet width
- O. 13" (33 cm) max. upper cabinet depth

#### \*NOTE: Minimum Clearances

30" (76.2 cm) models: 36" (91.4 cm) minimum clearance

36" (91.4 cm) models: 42" (106.7 cm) minimum clearance

When bottom of wood or metal cabinet is protected by not less than ¼" (0.64 cm) flame retardant millboard covered with not less than No. 28 MSG sheet steel, 0.015" (0.4 mm) stainless steel, 0.024" (0.6 mm) aluminum or 0.020" (0.5 mm) copper.

30" (76.2 cm) models: 42" (106.7 cm) minimum clearance

36" (91.4 cm) models: 48" (121.9 cm) minimum clearance

Between the top of the cooking platform and the bottom of an unprotected wood or metal cabinet.

If installing a hood or a microwave hood combination above the range, follow the hood instructions for dimensional clearances above the cooktop surface.

---

## Electrical Requirements

If codes permit and a separate ground wire is used, it is recommended that a qualified electrical installer determine that the ground path and wire gauge are in accordance with local codes.

If codes permit and a separate ground wire is used, it is recommended that a qualified electrician determine that the ground path is adequate.

Do not use an extension cord.

Make sure that the electrical connection and wire size are adequate and in conformance with the National Electrical Code, ANSI/NFPA 70-latest edition and all local codes and ordinances.

A copy of the above code standards can be obtained from:

National Fire Protection Association,  
One Batterymarch Park,  
Quincy, MA 02269

### Electrical Connection

To properly install your range, you must determine the type of electrical connection you will be using and follow the instructions provided for it here.

- Do not ground to a gas pipe.
- Check with a qualified electrical installer if you are not sure the range is properly grounded.
- Do not have a fuse in the neutral or ground circuit.
- Range must be connected to the proper electrical voltage and frequency as specified on the model/serial number rating plate. (The model/serial number rating plate is located on the vertical surface below the control panel on the right.)
- Range must be connected to a grounded metal, permanent wiring system.
- A 4-wire or 3-wire, single phase, 240 volt, 60 Hz., AC only electrical supply is required on a separate, 30-amp circuit, fused on both sides of the line.
- A time-delay fuse or circuit breaker is recommended. The fuse size must not exceed the circuit rating of the range specified on the model/serial rating plate located on the horizontal surface below the control panel.
- The range can be connected directly to the fused disconnect (or circuit breaker box) through flexible, armored or nonmetallic sheathed, copper or aluminum cable. The flexible, armored cable extending from the fuse box or circuit breaker box should be connected directly to the junction box. See "Make Electrical Connection."
- Locate the junction box to allow as much slack as possible between the junction box and the range so that the range can be moved if servicing is ever necessary. Do not cut the conduit.
- A UL listed conduit connector must be provided at each end of the power supply cable (at the cooktop and at the junction box).
- Wire sizes and connections must conform with the rating of the range (30 amps).

- If the house has aluminum wiring, follow the procedure below:
  - a) Connect the aluminum wiring to the copper wiring using special connectors designed and UL listed for joining copper to aluminum. Follow the electrical connector manufacturer's recommended procedure.
  - b) Aluminum/copper connection must conform with local codes and industry-accepted wiring practices.

---

## Gas Supply Requirements

### ⚠ WARNING



#### Explosion Hazard

**Use a new CSA International approved gas supply line.**

**Install a shut-off valve.**

**Securely tighten all gas connections.**

**If connected to LP, have a qualified person make sure gas pressure does not exceed 14" (36 cm) water column.**

**Examples of a qualified person include:**

**licensed heating personnel,  
authorized gas company personnel, and  
authorized service personnel.**

**Failure to do so can result in death, explosion, or fire.**

Observe all governing codes and ordinances.

**IMPORTANT:** This installation must conform with all local codes and ordinances. In the absence of local codes, installation must conform with American National Standard, National Fuel Gas Code ANSI Z223.1 - latest edition.

**IMPORTANT:** Range cooktop must be connected to a regulated gas supply.

---

### Type of Gas

---

#### Natural Gas:

This range is design-certified by CSA International for use with Natural gas or, after proper conversion, for use with LP gas.

- This range is factory set for use with Natural gas. The model/serial rating plate located on the right vertical surface of the oven door frame has information on the types of gas that can be used. If the types of gas listed do not include the type of gas available, check with the local gas supplier.

#### LP Gas conversion:

**Conversion must be done by a qualified service technician.**

No attempt shall be made to convert the appliance from the gas specified on the model/serial rating plate for use with a different gas without consulting the serving gas supplier. To convert to LP gas, use the LP gas conversion kit provided with your range. The parts for this kit are in the literature package supplied with the range.

---

## Gas Supply Line

---

- Provide a gas supply line of  $\frac{3}{4}$ " (1.9 cm) rigid pipe to the range location. A smaller size pipe on longer runs may result in insufficient gas supply. Pipe-joint compounds that resist the action of LP gas must be used. Do not use TEFLON<sup>®†</sup> tape. With LP gas, piping or tubing size can be  $\frac{1}{2}$ " (1.3 cm) minimum. Usually, LP gas suppliers determine the size and materials used in the system.

### Flexible metal appliance connector:

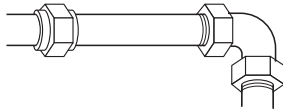
- If local codes permit, a new CSA design-certified, 4 - 5 ft (122 - 152.4 cm) long,  $\frac{5}{8}$ " (1.6 cm) or  $\frac{3}{4}$ " (1.9 cm) I.D., flexible metal appliance connector may be used for connecting range to the gas supply line.



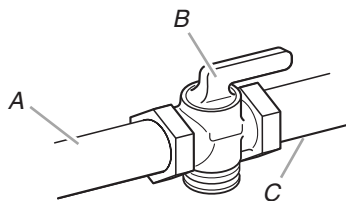
- A  $\frac{1}{2}$ " (1.3 cm) male pipe thread is needed for connection to the female pipe threads of the inlet to the appliance pressure regulator.
- Do not kink or damage the flexible metal tubing when moving the range.

### Rigid pipe connection:

The rigid pipe connection requires a combination of pipe fittings to obtain an in-line connection to the range. The rigid pipe must be level with the range connection. All strains must be removed from the supply and fuel lines so range will be level and in line.



- Must include a manual shutoff valve: The supply line must be equipped with a manual shutoff valve. This valve should be located in the same room but external to the range. It should be in a location that allows ease of opening and closing. Do not block access to shutoff valve. The valve is for turning on or shutting off gas to the range.



A. Gas supply line  
B. Shutoff valve "open" position  
C. To range

---

## Gas Pressure Regulator

---

The gas pressure regulator supplied with this range must be used. The inlet pressure to the regulator should be as follows for proper operation:

### Natural Gas:

Minimum pressure: 6" (15.2 cm) WCP

Maximum pressure: 14" (35.6 cm) WCP

### LP Gas:

Minimum pressure: 11" (27.9 cm) WCP

Maximum pressure: 14" (35.6 cm) WCP

Contact local gas supplier if you are not sure about the inlet pressure.

---

## Burner Input Rating - Altitude

---

Input ratings shown on the model/serial rating plate are for elevations up to 2,000 ft (609.6 m).

For elevations above 2,000 ft (609.6 m), ratings are reduced at a rate of 4% for each 1,000 ft (304.8 m).

---

## Gas Supply Pressure Testing

---

### Line pressure testing above $\frac{1}{2}$ psi gauge (14" WCP)

The range and its individual manual shutoff valve must be disconnected from the gas supply piping system during any pressure testing of that system at test pressures greater than  $\frac{1}{2}$  psi (3.5 kPa).

### Line pressure testing at $\frac{1}{2}$ psi gauge (14" WCP) or lower

The range must be isolated from the gas supply piping system by closing its individual manual shutoff valve during any pressure testing of that system at test pressures equal to or less than  $\frac{1}{2}$  psi (3.5 kPa).

†TEFLON is a registered trademark of E.I. Du Pont De Nemours and Company.



# INSTALLATION INSTRUCTIONS

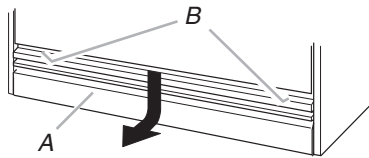
## Unpack Range

### **⚠ WARNING**

#### **Excessive Weight Hazard**

**Use two or more people to move and install range.**  
**Failure to do so can result in back or other injury.**

1. Remove shipping materials, tape and protective film from range. Keep shipping pallet under range. Remove oven racks, grates and parts package from inside oven.
2. Remove the 2 screws on each side of the top of the bottom vent. Slide the vent down and pull toward you. Lay this part to the side to avoid scratching the stainless steel.

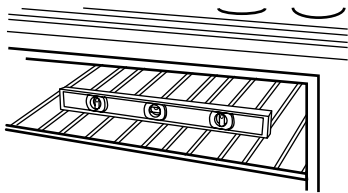


A. Bottom vent  
B. Remove these screws

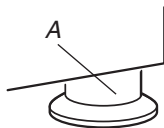
3. Lay a piece of cardboard from side packing on the floor behind range. Using 2 or more people, firmly grasp each side of range. Lift range up about 3" (8 cm) and move it back until range is off shipping pallet. Set range on cardboard to avoid damaging floor.

## Level Range

1. Move range close to the cabinet opening.
2. Place a rack in oven.
3. Place level on rack, first side to side, then front to back.



4. If the range is not level, adjust the feet up or down. Turn leveling leg sleeves to level range and to raise or lower range to the desired countertop height.

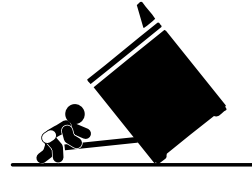


A. Leveling leg sleeves

**NOTE:** Oven must be level for satisfactory baking performance.

## Install Anti-Tip Bracket

### **⚠ WARNING**



#### **Tip Over Hazard**

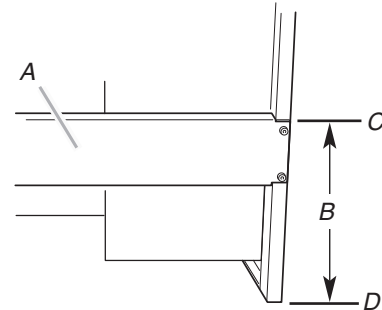
**A child or adult can tip the range and be killed.**

**Connect anti-tip bracket to wall behind range.**

**Reconnect the anti-tip bracket, if the range is moved.**

**Failure to follow these instructions can result in death or serious burns to children and adults.**

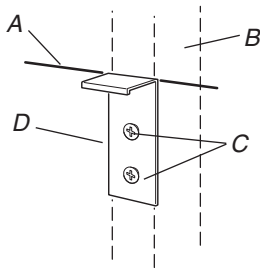
1. Choose the correct anti-tip bracket for your installation.
  - If the wall behind the range has no baseboard or has a baseboard up to  $\frac{3}{8}$ " (0.95 cm) thick, use the shorter 1" (2.5 cm) anti-tip bracket.
  - If the wall behind the range has a baseboard thicker than  $\frac{3}{8}$ " (0.95 cm), use the longer 1  $\frac{3}{4}$ " (4.4 cm) anti-tip bracket.
2. Locate a stud on the wall behind the range. Measure the distance from top of rear brace to floor.



A. Rear brace  
B. Top of rear brace to floor  
C. Top of rear brace  
D. Floor

3. Add  $\frac{5}{16}$ " (0.79 cm) to the measurement from Step 2. This will allow the anti-tip bracket to slide over rear brace.

4. Using the final measurement from Step 3, measure from the floor up and mark a horizontal line on the wall where a wall stud is located.



A. Horizontal line marked from Step 4.  
B. Wall stud  
C. Mounting screws  
D. Anti-tip bracket

5. Position top of anti-tip bracket at line marked in Step 4 and mark holes. Drill two 1/8" holes at the positions marked on the wall. Use screws provided to fasten anti-tip bracket to wall. Anti-tip bracket must be mounted securely to stud in wall behind the range. Depending on thickness of the wall, longer screws may be required. Longer screws are available from your local hardware store.

## Make Electrical Connection

### ⚠ WARNING



#### Electrical Shock Hazard

**Disconnect power before servicing.**

**Use 8 gauge solid copper wire.**

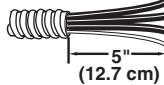
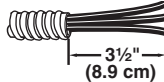
**Electrically ground range.**

**Failure to follow these instructions can result in death, fire, or electrical shock.**

This range must be connected to a grounded, metallic permanent wiring system or a ground connector should be connected to the ground terminal or wire lead on the range.

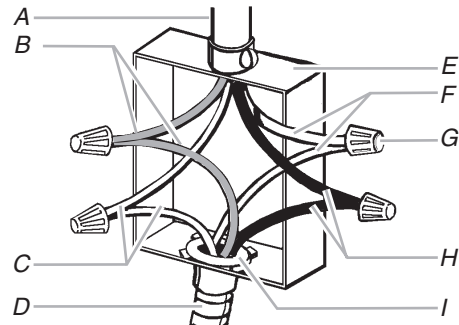
This range is manufactured with a frame connected, green or bare ground wire. Connect the range cable to the junction box through the UL listed or CSA approved conduit connector.

## Electrical Connection Options

| If your home has:   | And you will be connecting to:            | Go to Section:                 |
|---|---|--------------------------------|
| 4-wire direct<br> | A fused disconnect or circuit breaker box | 4-Wire Cable from Power Supply |
| 3-wire direct<br> | A fused disconnect or circuit breaker box | 3-Wire Cable from Power Supply |

## 4-Wire Cable from Power Supply

**IMPORTANT:** Use the 4-wire cable from power supply where local codes do not permit connecting the frame-ground conductor to the neutral (white) junction box wire.

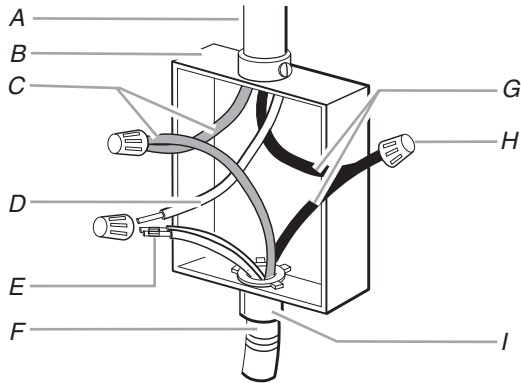


A. Cable from power supply  
B. Red wires  
C. Green (or bare) ground wires  
D. 4-Wire cable from range  
E. Junction box  
F. White wires  
G. UL listed wire nuts  
H. Black wires  
I. UL listed or CSA approved conduit connector

1. Disconnect power.
2. Remove junction box cover if present.
3. Connect the flexible armored cable from the range to the junction box using a UL listed or CSA approved conduit connector.
4. Tighten screws on conduit connector if present.
5. Connect the two black wires together using the UL listed wire nuts.
6. Separate the factory-crimped bare and white range wires.
7. Connect the two white wires together using the UL listed wire nuts.
8. Connect the green or bare ground wire from the range cable to the green or bare grounded wire (in the junction box) using the UL listed wire nuts.
9. Install junction box cover.
10. Reconnect power.

## 3-Wire Cable from Power Supply

**IMPORTANT:** Use the 3-wire cable from power supply where local codes permit connecting the frame-ground conductor to the neutral (white) junction box wire.



- |   |  |
|---|--|
| A. Cable from power supply  | F. 4-wire cable from range                     |
| B. Junction box   | G. Black wires                                 |
| C. Red wires  | H. UL listed wire nuts                         |
| D. White wire (from power supply)   | I. UL listed or CSA approved conduit connector |
| E. White and green (or bare) grounding wires (from range) - factory crimped |  |

1. Disconnect power.
2. Remove junction box cover if present.
3. Connect the flexible armored cable from the range to the junction box using a UL listed or CSA approved conduit connector.
4. Tighten screws on conduit connector if present.
5. Connect the two black wires together using UL listed wire nuts.
6. Connect the two red wires together using UL listed wire nuts.
7. Connect the factory-crimped bare and white range cable wires to the white (neutral) wire in the junction box using UL listed wire nuts.
8. Install junction box cover.
9. Reconnect power.

## Attach Backguard or Island Trim

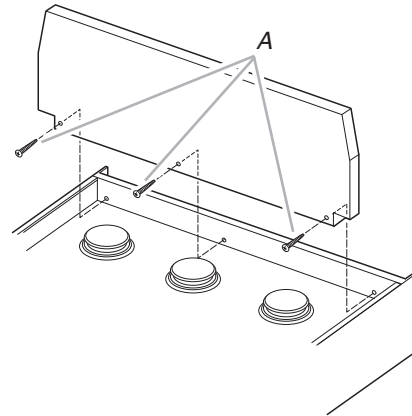
### **! WARNING**

#### Excessive Weight Hazard

**Use two or more people to move and install range.**  
**Failure to do so can result in back or other injury.**

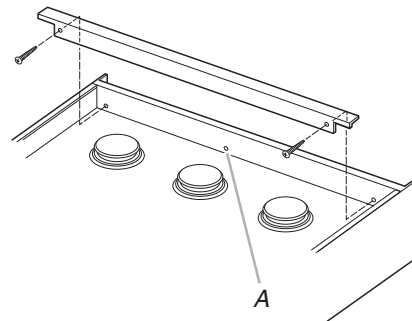
1. Using 2 or more people, move range close to cabinet opening.
2. Remove cardboard or hardboard from under range. Move range into final position.
3. Attach the backguard or island trim as required for your installation. See "Tools and Parts." Attachment screws are included in the literature package.

## Attaching the Backguard 36" model shown



A. 3 front screws (4 rear screws required but not shown)

## Attaching the Island Trim 36" model shown

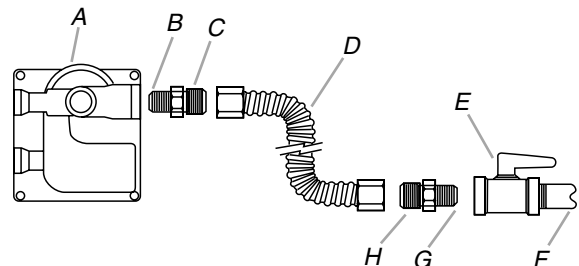


A. Center hole not used

4. Using 2 or more people, tip the range back so that the front feet lift off the ground. Slide range toward the wall until the rear brace is under the anti-tip bracket. Stand range up, making sure the anti-tip bracket catches the rear brace.

## Make Gas Connection

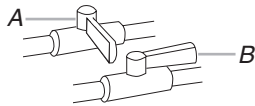
1. Assemble flexible connector from gas supply pipe to pressure regulator located in the middle front of the range.
2. Apply pipe-joint compound made for use with LP gas to the smaller thread ends of the flexible connector adapters (see B and G in following illustration).
3. Attach one adapter to the gas pressure regulator and the other adapter to the gas shutoff valve. Tighten both adapters.
4. Use a  $1\frac{5}{16}$ " combination wrench and channel lock pliers to attach the flexible connector to the adapters. Check that connector is not kinked.



- |   |  |
|---|--|
| A. Gas pressure regulator                               | E. Manual gas shutoff valve                    |
| B. Use pipe-joint compound                              | F. $\frac{1}{2}$ " or $\frac{3}{4}$ " gas pipe |
| C. Adapter (must have $\frac{1}{2}$ " male pipe thread) | G. Use pipe-joint compound                     |
| D. Flexible connector                                   | H. Adapter                                     |

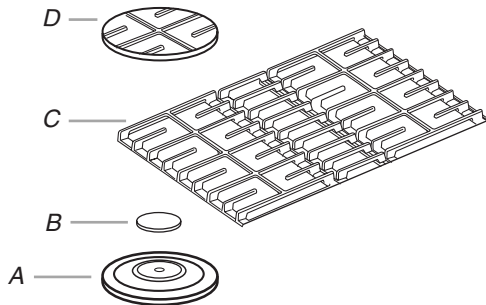
## Complete Connection

1. Open the manual shutoff valve in the gas supply line. The valve is open when the handle is parallel to the gas pipe.



A. Closed valve  
B. Open valve

2. Test all connections by brushing on an approved noncorrosive leak-detection solution. Bubbles will show a leak. Correct any leak found.
3. Remove cooktop burner caps, grates and simmer plate from parts package. Align notches in burner caps with pins in burner base. Burner caps should be level when properly positioned. If burner caps are not properly positioned, surface burners will not light. Place burner grates over burners and caps.



A. Burner base  
B. Burner cap  
C. Burner grate  
D. Simmer plate

4. Turn on power supply. "PF" should appear on the clock display. For further information, please refer to the user instructions located in the Use and Care Guide.

## Electronic Ignition System

### Initial lighting and gas flame adjustments

Cooktop and oven burners use electronic igniters in place of standing pilots. When the cooktop control knob is turned to the "LITE" position, the system creates a spark to light the burner. This sparking continues, as long as the control knob is turned to "LITE."

### Check Operation of Cooktop Burners

Push in and turn each control knob to the "LITE" position.

The flame should light within 4 seconds. The first time a burner is lit it may take longer than 4 seconds to light because of air in the gas line.

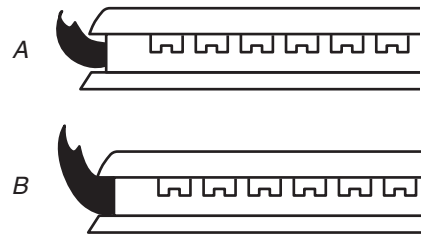
#### If burners do not light properly:

- Turn cooktop control knob to the "OFF" position.
- Check that the range is plugged in and the circuit breaker has not tripped or the fuse blown.
- Check that the gas shutoff valves are set to the "open" position.
- Check that burner caps are properly positioned on burner bases.

Repeat start-up. If a burner does not light at this point, contact your dealer or authorized service company for assistance.

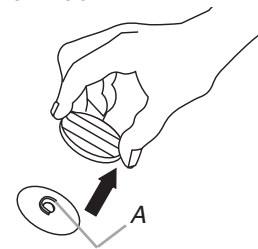
## Adjust Flame Height

Adjust the height of top burner flames. The cooktop "low" burner flame should be a steady blue flame approximately  $\frac{1}{4}$ " (0.64 cm) high.



A. Low flame  
B. High flame

The flame can be adjusted using the adjustment screw in the center of the valve stem. The valve stem is located directly underneath the control knob.



A. Adjustment screw

#### If the "low" flame needs to be adjusted:

1. Remove the control knob.
2. Hold the knob stem with a pair of pliers. Use a small flat-blade screwdriver to turn the screw located in the center of the control knob stem until the flame is the proper size.
3. Replace the control knob.
4. Test the flame by turning the control from "LO" to "HI," checking the flame at each setting.

### Check Operation of Oven Element

1. Turn oven selector to BAKE. Default temperature appears in the temperature display.
2. Press ENTER. The display reads "PrE" when the oven temperature begins to rise.
3. Wait 2 minutes, open oven door and hold hand above oven floor and feel for heat. Do not touch oven floor. Press CANCEL and turn oven selector to RESET.

### Check Operation of Oven Broil Element

1. Close the oven door.
2. Turn oven selector to BROIL. "HI" will appear in the temperature display.
3. Press ENTER. Look through oven window. The top element should glow red, and heat should be radiating out of the door. Press CANCEL and turn oven selector to RESET.

### Check Operation of Steam Assist Technology

1. Turn oven selector to "SELECT STEAM." The indicator light will flash next to "HIGH STEAM."
2. Pour water into the water inlet until the "HALF" indicator lights up.

3. Press ENTER and default temperature appears in the display.
4. Press ENTER and the default cook time appears in the display.  
Set the cook time to 10 minutes.
5. The display will indicate "LoAd." Open and close the oven door.
6. After the 10 minutes counts down, open the oven door. The cavity should be warm and moist.
7. Press CANCEL and turn the oven selector and RESET.

**If oven does not operate:**

- Check that power supply is turned on.
- Check that the range is plugged in and the circuit breaker has not tripped or the household fuse blown.

Repeat start-up. If the oven still does not operate at this point, contact your dealer or authorized service company for assistance.

## Complete Installation

1. Check that all parts are now installed. If there is an extra part, go back through the steps to see which step was skipped.
2. Check that range is correctly positioned in countertop cutout and that the range is level. See "Level Range."
3. Check that the specified distances to cabinet surfaces were maintained. See "Location Requirements."
4. Check that burner caps are positioned properly on sealed burner bases.
5. Check that backguard or island trim is installed. (If horizontal clearance to combustible materials behind cooking surface is less than 1" [2.5 cm]).
6. Check that the range is connected only to the type of gas for which it is certified for use.
7. Use a mild solution of liquid household cleaner and warm water to remove waxy residue caused by protective shipping material. Dry thoroughly with a soft cloth. For more information, see the "Range Care" section of the Use and Care Guide.
8. Read "Range Use" in the range Use and Care Guide.
9. Turn on surface burners and oven. See your Use and Care Guide for specific instruction on range operation.
10. Once the oven has cooled down, you may drain the water reservoir. Read "Water Reservoir Drain Operation" in the Use and Care Guide.

**If range does not operate, check the following:**

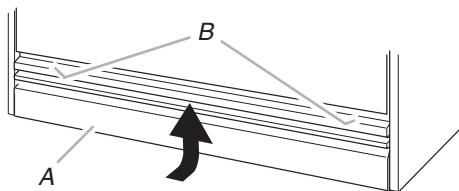
- Household fuse has not blown or circuit breaker has not tripped.
- Gas valves are turned to the "ON" position.
- Electrical supply is connected.
- See "Troubleshooting" in the Use and Care Guide.

### Install Burner Grates

Place burner grates over burner caps. The simmer plate may sit on one of the grates or be stored for future use.

### Reinstall Bottom Vent

1. Insert lower vent tabs into the slots on the front trim.
2. Push vent upward until the holes line up at top of vent.
3. Reattach the vent using the 4 screws.



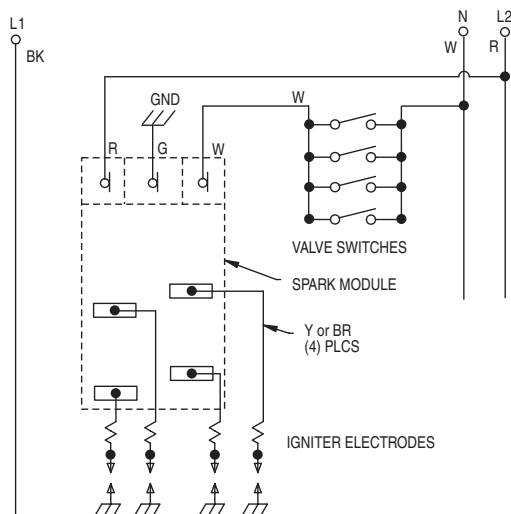
A. Bottom vent  
B. Reattach these screws

# WIRING DIAGRAMS

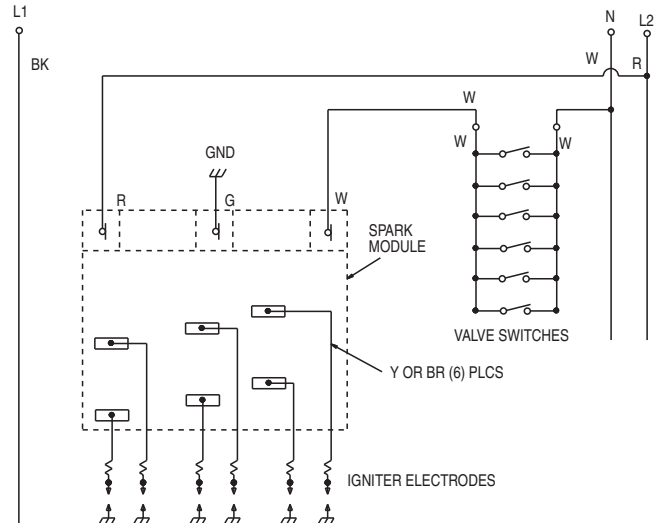
**CAUTION:** Label all wires prior to disconnection when servicing controls. Wiring errors can cause improper and dangerous operation.

## Cooktop Schematic

### 30" (76.2 cm) model

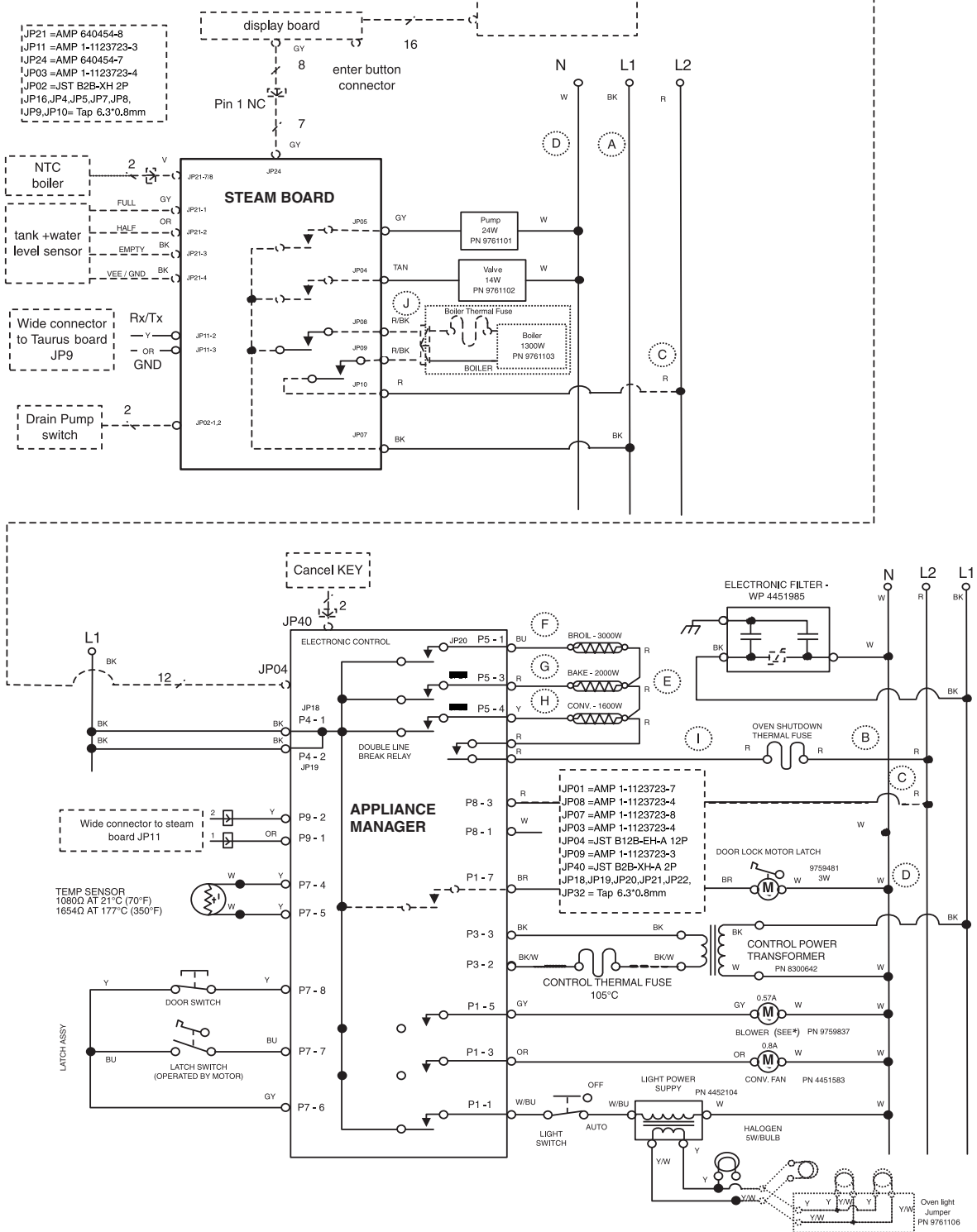


### 36" (91.4 cm) model



# Oven Schematic

**CLASSIC COMMERCIAL STYLE OVEN WITH STEAM ASSIST**  
**WIRING DIAGRAM**  
 Models KDRP767RSS00 & KDRP707RS00      VER 12  
 17th May '05  
 MAIN HARNESS      #9758951  
 SIGNAL HARNESS (display)      #9761098  
 OVEN LIGHT JUMPER      #9761106  
 HARNESS SENSOR      #9758957



\*Blower remains off until oven reaches 190°F (88°C) and may continue running up to 45 minutes after oven has turned off.

**NOTE:** Circuit is shown in standby/off mode with oven door closed.

---

## Notes

