

KitchenAid®

GAS RANGE ARCHITECT® SERIES II

Use & Care Guide

For questions about features, operation/performance, parts, accessories or service, call: 1-800-422-1230
or visit our website at www.kitchenaid.com

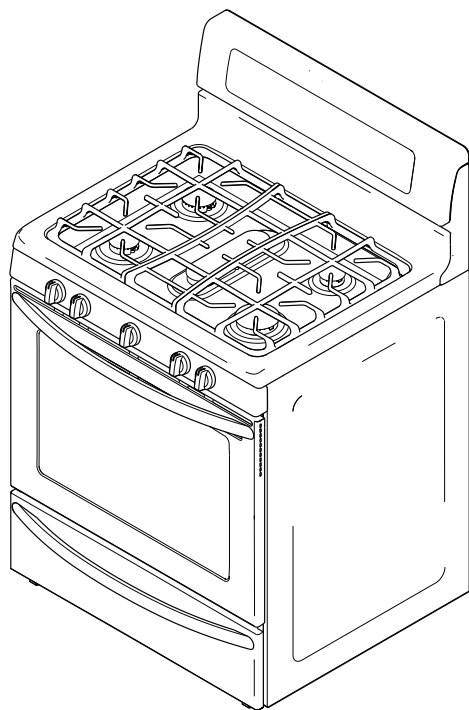
In Canada, call for assistance, installation and service, call: 1-800-807-6777
or visit our website at www.KitchenAid.ca

CUISINIÈRE À GAZ ARCHITECT® SÉRIE II

Guide d'utilisation et d'entretien

Au Canada, pour assistance, installation ou service composez le 1-800-807-6777 ou visitez notre site web à...
www.KitchenAid.ca

Table of Contents/Table des matières..... 2



Models/Modèles KGRS308X

W10336759A

316902705

Table of Contents

Product Record/Serial Plate Location	2	Setting Cook Time	16
Important Safety Instructions	3-6	Setting Delay Start	16
Before Setting Oven	7	Broil	17
Removing, replacing & arranging the oven rack	7-8	Convect Bake	18
Before Setting Surface Controls	9	Convect Roast	18
Using proper cookware	9	EasyConvect™ Feature Meats & Baked Goods	
Cookware material types	9	(some models)	19
Setting Surface Controls	10	Meat Probe	19-20
Care and seasoning of the Griddle Grate	11	Adjusting Oven Temperature	21
Home canning	11	Operating Oven Light	21
Oven Control Functions	12	Restoring Default Settings	21
Setting Oven Controls	13-20	Sabbath Oven Controls	22
Setting clock	13	Setting Warming Drawer Controls	23-25
Setting timer	13	Self Clean	26-27
Changing between continuous bake setting		Care & Cleaning	28-31
or 12-Hour Energy Saving feature	13	Cleaning recommendation table	28
Setting silent or audible control mode	14	Cleaning the cooktop and surface burners	29
Changing temperature display (°F or °C)	14	Caution for aluminum use	30
Setting Control Lock	14	Replacing oven light	30
Setting Oven Controls	15-22	Removing and replacing the lift-off oven door	31
Setting Bake	15	Before You Call - Solutions to common problems	32-34
Bread Proof	15	Assistance or Service	35
		Appliance Warranty	back cover

Product Record

In this space below, record the date of purchase, model and serial number of your product. You will find the model and serial number printed on an identification plate. See bottom of this page for serial plate location.

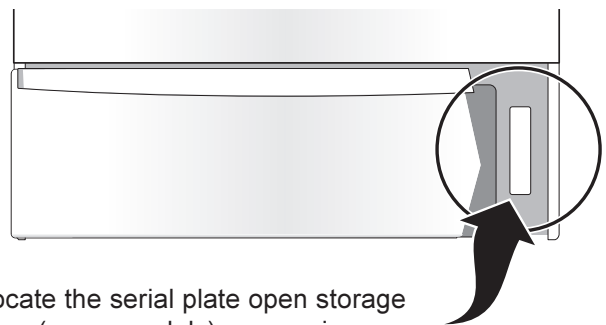
Model No. _____

Serial No. _____

Date of Purchase _____

Save sales receipt for future reference.

Serial Plate Location



To locate the serial plate open storage drawer (some models) or warming drawer (some models). The serial plate is attached to the lower right oven frame.

Important Safety Instructions

Read all instructions before using this appliance.

This manual contains important safety symbols and instructions. Please pay attention to these symbols and follow all instructions given.

Definitions

⚠ This is the safety alert symbol. It is used to alert you to potential personal injury hazards. Obey all safety messages that follow this symbol to avoid possible injury or death.

Do not attempt to install or operate your appliance until you have read the safety precautions in this manual. Safety items throughout this manual are labeled with a WARNING or CAUTION statement based on the risk type.

⚠ WARNING - indicates a potentially hazardous situation which, if not avoided, may result in death or serious injury.

⚠ CAUTION - indicates a potentially hazardous situation which, if not avoided, may result in minor or moderate injury.

- Remove all tape and packaging before using the range. Destroy the carton and plastic bags after unpacking the range. Never allow children to play with packaging material.
- Proper Installation—Be sure your appliance is properly installed and grounded by a qualified technician in accordance with the National Fuel Gas Code ANSI Z223.- latest edition, or in Canada CAN/CGA B149.1, and CAN/CGA B149.2, and the National Electrical Code ANSI/NFPA No.70-latest edition, or in Canada CSA Standard C22.1, Canadian Electrical Code, Part 1, and local code requirements. Install only per installation instructions provided in the literature package for this range. Ask your dealer to recommend a qualified technician and an authorized repair service. Know how to disconnect the power to the range at the circuit breaker or fuse box in case of an emergency.
- User servicing—Do not repair or replace any part of the appliance unless specifically recommended in the manuals. All other servicing should be done only by a qualified technician, This may reduce the risk of personal injury and damage to the range.
- Ask your dealer to recommend a qualified technician and an authorized repair service. Know how to disconnect the power to the range at the circuit breaker or fuse box in case of an emergency.

⚠ WARNING If the information in this manual is not followed exactly, a fire or explosion may result causing property damage, personal injury or death.

FOR YOUR SAFETY:

- Do not store or use gasoline or other flammable vapors and liquids in the vicinity of this or any other appliance.
- WHAT TO DO IF YOU SMELL GAS:
 - Do not try to light any appliance.
 - Do not touch any electrical switch; do not use any phone in your building.
 - Immediately call your gas supplier from a neighbor's phone. Follow the gas supplier's instructions.
 - If you cannot reach your gas supplier, call the fire department.
- Installation and service must be performed by a qualified installer, servicer or the gas supplier.

⚠ WARNING

- All ranges can tip.
- Injury to persons could result.
- Install anti-tip device packed with range.
- See Installation Instructions.

To reduce the risk of tipping, the range must be secured by properly installed anti-tip bracket provided with the range. To check if the bracket is installed properly, visually check that rear leveling leg is inserted into and fully secured by the anti-tip bracket by removing lower front panel or storage drawer from the range.



For models equipped with a warming drawer or lower oven, grasp the top rear edge of the range and carefully attempt to tilt it forward. Refer to the installation instructions for proper anti- tip bracket installation.

- Never modify or alter the construction of a range by removing the leveling legs, panels, wire covers, anti-tip brackets/screws, or any other part of the range.
- Remove the oven door from any unused range if it is to be stored or discarded.

Save these instructions for future reference.

Important Safety Instructions

Air curtain or other overhead range hoods, which operate by blowing a downward air flow on to a range, shall not be used in conjunction with gas ranges other than when the hood and range have been designed, tested and listed by an independent test laboratory for use in combination with each other.

For electric ignition models only: Do not attempt to operate the range during a power failure. If the power fails, always turn off the range. If the range is not turned off and the power resumes, the range will begin to operate again. Once the power resumes, reset the clock and oven function.

⚠ WARNING NEVER use this appliance as a space heater to heat or warm the room. Doing so may result in CARBON MONOXIDE poisoning.

⚠ WARNING NEVER cover any slots, holes or passages in the oven bottom or cover an entire oven rack with materials such as aluminum foil. Doing so blocks air flow through the oven and may cause CARBON MONOXIDE poisoning. Aluminum foil linings may trap heat, causing a fire hazard.

⚠ WARNING Stepping, leaning or sitting on the door or drawers of a range can result in serious injuries and also cause damage to the appliance. DO NOT allow children to climb or play around the range. The weight of a child on an open oven door may cause the range to tip, resulting in serious burns or other injury.

⚠ WARNING Storage in or on appliance — flammable materials should not be stored in an oven, near surface units or in the storage drawer, warming drawer or lower oven. This includes paper, plastic and cloth items, such as cookbooks, plasticware and towels, as well as flammable liquids. Do not store explosives, such as aerosol cans, on or near the range.

⚠ WARNING DO NOT LEAVE CHILDREN ALONE — children should not be left alone or unattended in the area where appliance is in use. They should never be allowed to sit or stand on any part of the appliance, including the storage drawer, lower broiler drawer, warming drawer or lower double oven.

⚠ CAUTION Do not store items of interest to children in the cabinets above a range or on the backguard of the range. Children climbing on the range to reach items could be seriously injured.

⚠ CAUTION DO NOT leave small children unattended near the appliance. The outside of the range can become very hot to touch and can cause burns or serious injury.

⚠ CAUTION Do not use water or flour on grease fires — smother the fire with a pan lid, or use baking soda, a dry chemical or foam-type extinguisher.

⚠ CAUTION When heating fat or grease, watch it closely. Fat or grease may catch fire if allowed to become too hot.

⚠ CAUTION Use dry potholders — moist or damp potholders on hot surfaces may result in burns from steam. Do not let potholders touch hot heating elements. Do not use a towel or other bulky cloth instead of a potholder.

⚠ CAUTION Do not heat unopened food containers — buildup of pressure may cause container to burst and result in injury.

IMPORTANT INSTRUCTIONS FOR USING YOUR OVEN

⚠ CAUTION Protective Liners — DO NOT use aluminum foil to line the oven bottom. Only use aluminum foil as recommended in this manual. Improper installation of these liners may result in risk of electric shock, or fire.

- **Use care when opening oven door , warming drawer or lower oven door** — Stand to the side of the range when opening the door of a hot oven. Let hot air or steam escape before you remove or replace food in the oven.
- **Keep oven vent ducts unobstructed.** The oven vent is located below the backguard. Touching the surfaces in this area when the oven is operating may cause severe burns. Also, do not place plastic or heat-sensitive items on or near the oven vent. These items could melt or ignite.
- **Placement of Oven Racks.** Always place oven racks in desired location while oven is cool. If rack must be moved while oven is hot use extreme caution. Use potholders and grasp the rack with both hands to reposition. Do not let potholders contact the hot heating elements in the oven. Remove all utensils from the rack before moving.
- **Do not use the broiler pan without its insert.** The broiler pan and its insert allow dripping fat to drain and be kept away from the high heat of the broiler.
- **Do not cover the broiler insert with aluminum foil.** Exposed fat and grease could ignite.

Save these instructions for future reference.

Important Safety Instructions

Important safety notice

The California Safe Drinking Water and Toxic Enforcement Act requires the Governor of California to publish a list of substances known to the state to cause cancer, birth defects or other reproductive harm, and requires businesses to warn customers of potential exposure to such substances.

IMPORTANT INSTRUCTIONS FOR USING YOUR COOKTOP

⚠ WARNING Use Proper Flame Size — Adjust flame size so it does not extend beyond the edge of the utensil. The use of undersized utensils will expose a portion of the burner flame to direct contact and may result in ignition of clothing. Proper relationship of utensil to flame will also improve efficiency.

- **Know which knob controls each surface burner.** Place a pan of food on the burner before turning it on, and turn the burner off before removing the pan.
- **Always turn knob to the full LITE position when igniting top burners.** Visually check that burner has lit. Then adjust the flame so it does not extend beyond the edge of the utensil.
- **Utensil handles should be turned inward and not extend over adjacent surface burners** — To reduce the risk of burns, ignition of flammable materials, and spillage due to unintentional contact with the utensil, the handle of the utensil should be positioned so that it is turned inward, and does not extend over adjacent surface burners.
- **Never leave surface burners unattended at high heat settings** — Boilovers cause smoking and greasy spillovers that may ignite, or a pan that has boiled dry may melt.
- **Glazed cooking utensils** — Only certain types of glass, glass/ceramic, ceramic, earthenware, or other glazed utensils are suitable for cook top service without breaking due to the sudden change in temperature. Check the manufacturer's recommendations for cook top use.
- **When flaming foods under a ventilating hood, turn the fan on.**

IMPORTANT INSTRUCTIONS FOR SELF-CLEANING OVENS

- **Clean in the self-cleaning cycle only the parts listed in this Use & Care Manual.** Before self-cleaning the oven, remove the oven racks, broil pan, broil pan insert and any cookware, cooking utensils or foods from the oven.
- **Do Not Use Oven Cleaners** — No commercial oven cleaner or oven liner protective coating of any kind should be used in or around any part of the oven.
- **Do Not Clean Door Gasket** — The door gasket is essential for a good seal. Care should be taken not to rub, damage or move the gasket.
- The health of some birds is extremely sensitive to the fumes given off during the self-cleaning cycle of any range. Move birds to another well-ventilated room.

IMPORTANT INSTRUCTIONS FOR CLEANING YOUR RANGE

⚠ CAUTION Before manually cleaning any part of the range, be sure all controls are turned OFF and the range is COOL. **The range may be hot** and can cause burns.

- **Clean the range regularly to keep all parts free of grease that could catch fire.** Pay particular attention to the area around each surface burner. Do not allow grease to accumulate.
- **Kitchen cleaners and aerosols** — **Always follow the manufacturer's recommended directions for use.** Be aware that excess residue from cleaners and aerosols may ignite causing damage and injury.
- **Clean ventilating hoods frequently** — **Grease should not be allowed to accumulate on the hood or filter.** Follow the manufacturer's instructions for cleaning hoods.

Save these instructions for future reference.

Important Safety Instructions

Grounding Instructions

⚠ WARNING Avoid fire hazard or electrical shock. **DO NOT** use an adapter plug, an extension cord, or remove grounding prong from electrical power cord. Failure to follow this warning can cause serious injury, fire or death.

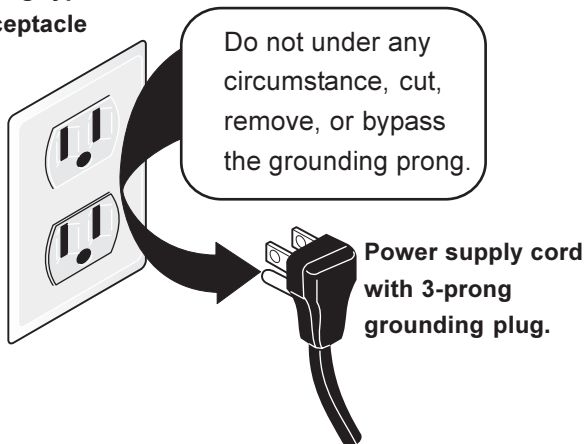
This appliance is equipped with a 3-prong grounding plug for your protection against shock hazard and should be plugged directly into a properly grounded receptacle. **DO NOT** cut or remove the grounding prong from this plug.

For personal safety, the range must be properly grounded. For maximum safety, the power cord must be plugged into an electrical outlet that is correctly polarized and properly grounded.

If a 2-prong wall receptacle is the only available outlet, it is the personal responsibility of the consumer to have it replaced with a properly grounded 3-prong wall receptacle installed by a qualified electrician.

See the INSTALLATION INSTRUCTIONS packaged with this range for complete installation and grounding instructions.

Grounding type wall receptacle



Conversion to L.P. Gas

⚠ WARNING Personal injury or death from electrical shock may occur if the range is not installed by a qualified installer or electrician.

⚠ WARNING Any additions, changes or conversions required in order for this appliance to satisfactorily meet the application needs must be made by a qualified technician.

This appliance allows for conversion to Liquefied Petroleum (L.P.) Gas.

If L.P. conversion is needed, contact your local L.P. Gas provider for assistance. The L.P. conversion kit is provided with this appliance and is located on the lower REAR (back side) panel of the range. Before installing the kit be sure to follow the L.P. Installation Instructions carefully.

Save these instructions for future reference.

Before Setting Oven Controls

Oven vent location

The oven vent is located below the control panel (See Fig. 1). When the oven is on, warm air passes through this vent. This venting is necessary for proper air circulation in the oven and good baking results. **Do not block oven vent.**

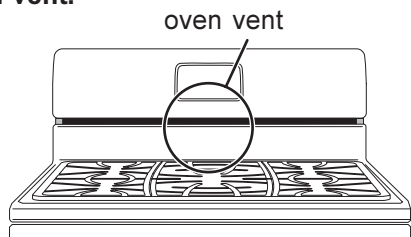


Fig. 1

Removing, replacing or arranging racks

⚠ CAUTION Always use pot holders or oven mitts when using the oven. When cooking, the oven interior and exterior, oven racks and cooktop will become very hot which can cause burns.

⚠ CAUTION DO NOT line the oven walls, racks, bottom or any other part of the range with aluminum foil. Doing so will destroy heat distribution, produce poor baking results and cause permanent damage to the oven interior. Aluminum foil will melt to the interior of the oven.

To arrange - always arrange the oven racks when the oven is cool (prior to operating the oven).

To remove - pull the rack forward until it stops. Lift up front of rack and slide out.

To replace - fit oven rack onto the rack guides on both sides of oven walls. Tilt the front of oven rack upward and slide the rack back into place. Be sure oven racks are level before using.

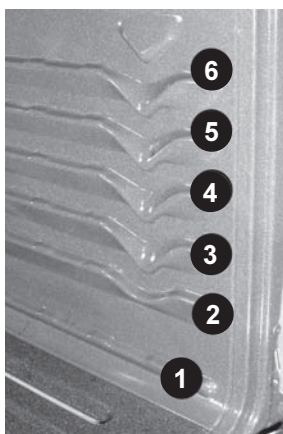


Fig. 2

Recommended oven rack positions by food type:

Food type	Position
Broiling	See broil
Cookies, cakes, pies, biscuits & muffins	3 or 4
Frozen pies, angel food cake, yeast, bread and casseroles	2 or 3
Small cuts of meat or poultry	1 or 2
Turkey, roast or ham	1 or 2

Baking layer cakes with 1 or 2 oven racks

For best results when baking cakes or cookies using 2 oven racks, place cookware on rack positions 2 or 5 for flat racks and 2 or 4 for glide racks. For best results when baking cakes or cookies using a single oven rack, place cookware on rack in positions 3 or 4 for flat racks and positions 2 or 3 for glide racks. (See Fig. 2).

Air circulation in the oven

For best results when baking cakes or cookies using 2 oven racks, place cookware on rack positions 2 and 5 for flat racks or 2 for flat and 4 for glide racks. For best results when baking cakes or cookies using a single oven rack, place cookware on rack in positions 3 or 4 for flat racks and positions 2 or 3 for glide racks. (See Fig. 2).

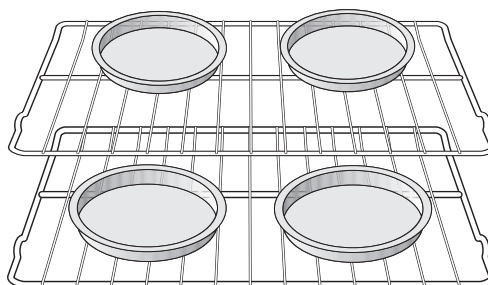
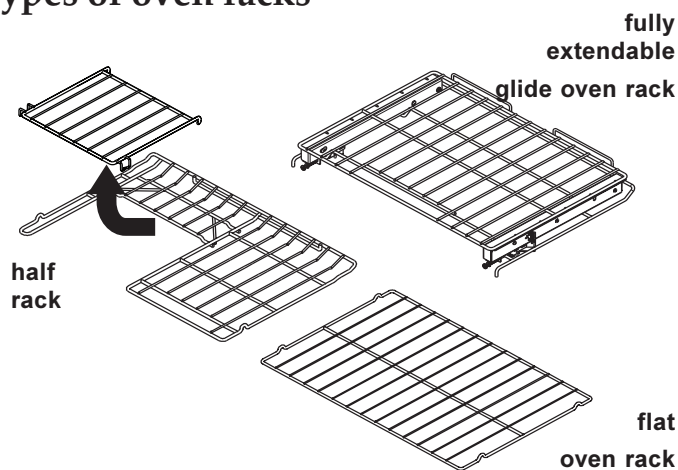


Fig. 3

Types of oven racks



The **flat oven rack** (some models) or **glide oven rack** (some models) may be used for most cooking needs. The **half rack** (some models) design comes with a removable section that allows for taller cooking utensils.

⚠ CAUTION REMOVE ALL OVEN RACKS and parts before starting a self-clean cycle. If the oven racks are left in the oven during the self-clean cycle, the glide ability of the gliding racks will be damaged and will cause all oven racks to lose their shiny finish and or turn blue. Remove all oven racks and clean according to instructions provided in the Care & Cleaning section of this manual.

Before Setting Oven Controls

Removing and replacing the glide oven racks

To remove:

Use thumbs to press in both left and right spring-loaded release levers, and then pull the rack straight out slightly. (See Fig. 1). Release thumb levers, and grab both the upper and lower portions of the glide rack while pulling rack straight out until reaching the stop position. (See Fig. 2). At the stop, lift up front of rack slightly and continue to pull rack away from oven. (See Fig. 3). Be sure to hold onto both upper and lower rack portions when removing from or handling rack outside of the the oven - these rack portions move independently and are difficult to handle unless held together.

To replace:

Grasping both upper and lower portions of glide rack, lift and place the rack resting evenly between the oven cavity walls. Tilt the front of the rack upward slightly and slide the rack completely into position. Some force may be necessary to make sure the oven rack has snapped completely back into place.

DO NOT attempt to close the oven door until all the oven racks are properly positioned inside the oven cavity. Be sure the glide oven racks make contact with the vertical rack sensor located at the left rear oven cavity wall.

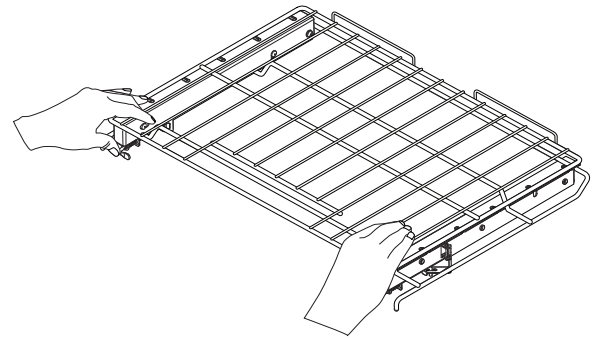


Fig. 1

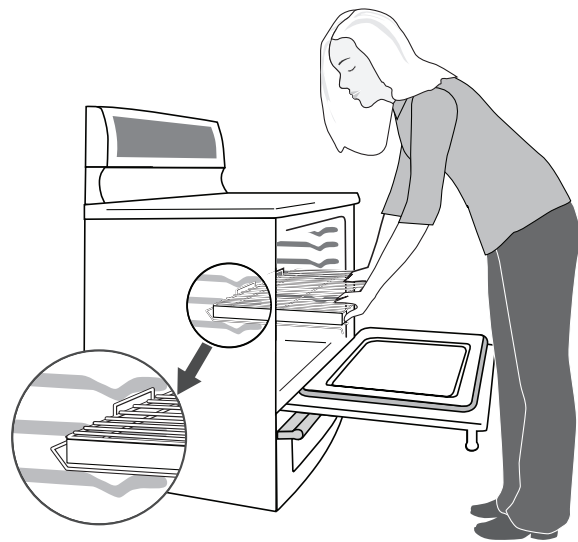


Fig. 2



Fig. 3

Before Setting Surface Controls

Using proper cookware

⚠ CAUTION DO NOT place flammable items such as plastic salt and pepper shakers, spoon holders or plastic wrappings on the cooktop when it is in use. These items could melt or ignite. Potholders, towels or wooden spoons could catch fire if placed too close to the range cooktop.

Important note:

DO NOT place aluminum foil, or ANY material that can melt on the range cooktop. If these items melt they may damage the cooktop.

For best cooking results, cookware should have flat bottoms that rest level on the surface burner grate.

Before using cookware, check for flatness by rotating a ruler across the bottom of the cookware (Fig. 1).

The size and type of utensil used, and the amount and type of food being cooked will influence the burner flame setting needed for best cooking results.

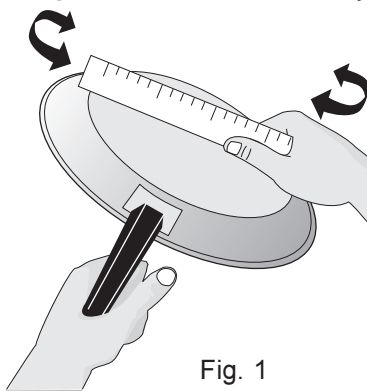


Fig. 1

Cookware material types

The most popular materials available are:

Aluminum - Excellent heat conductor. Some types of food will cause it to darken (Anodized aluminum cookware resists staining & pitting).

Copper - Excellent heat conductor but discolors easily.

Stainless - Slow heat conductor with uneven cooking results. Is durable, easy to clean and resists staining.

Cast Iron - A slow heat conductor however will retain heat very well. Cooks evenly once cooking temperature is reached.

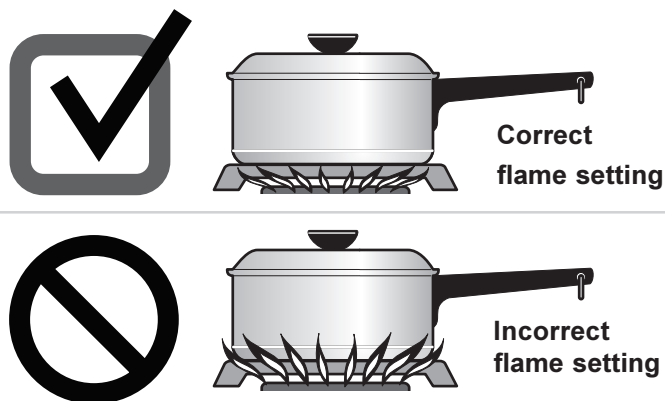
Porcelain-enamel on metal - Heating characteristics will vary depending on base material.

Glass - Slow heat conductor.

Setting proper burner flame size

⚠ CAUTION Never extend the flame beyond the outer edge of the cooking utensil. A higher flame wastes energy, and increases your risk of being burned by the flame.

The color of the flame is the key to proper burner adjustment. A good flame is clear, blue and hardly visible in a well-lighted room. Each cone of flame should be steady and sharp. Adjust or clean burner if flame is yellow-orange.



For most cooking; start on the highest setting and then turn to a lower setting to complete the process. Use the recommendations below as a guide for determining proper flame size for various types of cooking (Fig. 2)

For deep fat frying; use a thermometer and adjust the surface knob accordingly. If the fat is too cool, the food will absorb the fat and be greasy. If the fat is too hot, the food will brown so quickly that the center will be undercooked. Do not attempt to deep fat fry too much food at once as the food will neither brown or cook properly.

Flame size*	Type of cooking
High flame	Start most foods; bring water to a boil; pan broiling.
Medium flame	Maintain a slow boil; thicken sauces, gravies; steaming.
Low flame	Keep foods cooking; poach; stewing.

Fig. 2

*These settings are based for medium-weight metal or aluminum pans with lids. Settings may vary when using cookware made from different materials.

Setting Surface Controls

Setting surface burners

⚠ CAUTION Do not place flammable items such as plastic salt and pepper shakers, spoon holders or plastic wrappings on the cooktop when it is in use. These items could melt or ignite. Potholders, towels or wooden spoons could catch fire if placed too close to the range cooktop.

⚠ CAUTION Do not place aluminum foil, or ANY material that can melt on the range cooktop. If these items melt they may permanently damage the cooktop surface.

Your gas appliance may be equipped with different sized surface burners. The ability to heat food quicker and in larger volumes increases as the burner size increases. It is important to select cookware that is suitable for the amount and type of food being prepared.

The smaller simmer burner (on some models) is best suited for simmering delicate sauces, etc.

The standard size burners may be used for most surface cooking needs. Some models are equipped with a center burner.

The larger power burners (on some models) or Ultra Power™ burners are recommended for bringing large quantities of liquid to temperature and when preparing larger quantities of food.

To set surface burners:

1. Place cooking utensil on center of surface burner grate. Be sure the cooking utensil sets stable on the burner grate.
2. Push the desired surface control knob in and turn counterclockwise out of the **OFF** position (Fig. 1).
3. Release the surface control knob and rotate to the **LITE** position. Visually check that the burner has lit.
4. Once the burner has a flame, push the control knob in and turn counterclockwise to the desired flame size. Use the control knob markings and adjust the flame as needed.

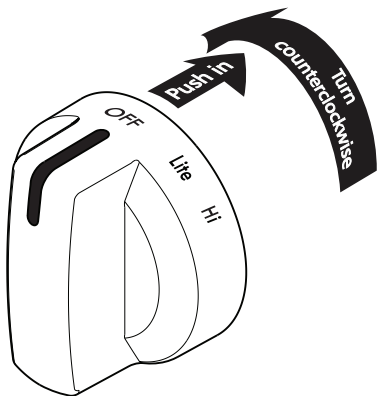


Fig. 1

Important notes:

- **DO NOT cook with the surface control knob left in the LITE position.** The electronic ignitor will continue to spark if the control knob setting remains in the LITE position .
- When setting any surface control knob to the LITE position, all electronic surface ignitors will spark at the same time. However, only the surface burner you are setting will ignite.
- **NEVER place or straddle a cooking utensil over 2 different surface cooking areas at the same time.** This can cause uneven heating results.
- In the event of an electrical power outage, the surface burners can be lit manually. Use caution when lighting surface burners manually. To light a surface burner, hold a lit match to the burner head, then slowly turn the surface control knob to LITE. After burner lights push in and turn knob to desired setting.

Setting Surface Controls

Care and seasoning of the Griddle Grate

Before first use:

1. Wash the griddle grate in hot soapy water. Rinse and then dry completely.
2. Apply a thin coat of vegetable oil to the entire surface (front and back of griddle grate).
3. Preheat your oven to 350°F. Place the griddle grate on the upper rack in your oven.
4. Bake griddle grate for 1 hour at 350°F, then turn oven OFF and let cool before removing.
5. The surface may seem tacky from the seasoning process. If desired, wash the griddle in hot soapy water, rinse well, and dry completely.

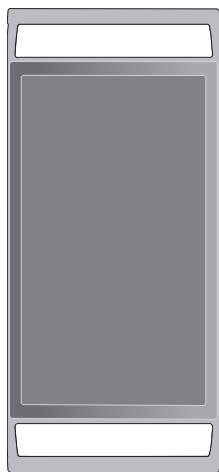
Using the griddle:

1. Remove the center burner grate and carefully replace with the griddle (some models).
2. Preheat the griddle for 5 minutes on **Medium** to **Medium Low** setting. Slow preheat ensures even heat distribution during the cooking process. DO NOT preheat the griddle on HI setting. Preheating on **Hi** may warp the griddle and prevent even heat distribution.

After each use:

DO NOT CLEAN GRIDDLE IN DISHWASHER.

1. Clean with a stiff brush and hot water only.
2. Dry Immediately and apply a light coating of vegetable oil to griddle before storing.
3. To prevent rusting, store in a dry place and keep uncovered.



griddle grate
Fig. 1

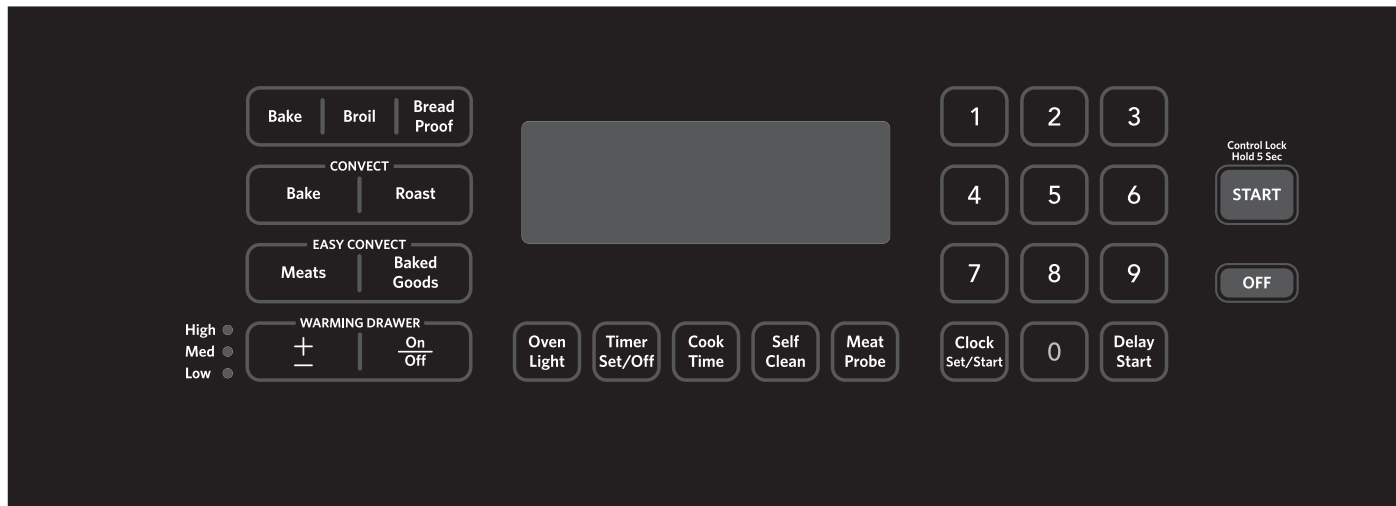
Home canning

Be sure to read and observe all the following points when home canning with your appliance. Check with the USDA (United States Department of Agriculture) website and be sure to read all the information they have available as well as follow their recommendations for home canning procedures.

- Use only quality flat bottom canners when home canning. Use a straight-edge to check canner bottom.
- Use only a completely flat bottom canner.
- Make sure the diameter of the canner does not exceed 1 inch beyond the surface element markings or burner.
- Start with hot tap water to bring water to boil more quickly.
- Use the highest heat setting when first bringing the water to a boil. Once boiling is achieved, reduce heat to lowest possible setting to maintain that boil.

Oven Control Functions

For satisfactory use of your oven, become familiar with the various keypad functions and features of the oven.



Bake

Use to enter a normal Bake function.

Broil

Use to select variable Broil function.

Bread Proof

Use to set oven for proofing bread.

Convect Bake

Use to select Convect Bake function.

Convect Roast

Use to select the Convect Roast function.

EasyConvect™ Feature Meats

Use to select EasyConvect™ Feature Meats.

EasyConvect™ Feature Baked Goods

Use to select EasyConvect™ Feature Baked Goods.

Warming Drawer

Use to set Warming Drawer temperature.

Oven Light

Use to turn the oven light ON and OFF.

Timer Set/Off

Use to set or cancel Timer.

Cook Time

Use to enter the length of cook time needed.

Self Clean

Use to set a 2-4 hour self-clean cycle.

Meat Probe

Use to program Meat Probe.

Clock Set/Start

Use to set the time of day.

0-9 number keypads

Use to enter temperature and time.

Delay Start

Use with various oven functions to program a delay start time or delay start self-cleaning cycle.

START

Use to start all oven functions except oven light. Use to activate or cancel **Control Lock**.

OFF

Use to cancel any oven mode previously entered except clock and timer. Press OFF to stop cooking.

Minimum & maximum control settings

All of the features listed have minimum and maximum time and temperature settings that may be entered into the control. An entry acceptance beep will sound each time a control pad is touched (the Control Lock pad is delayed by 5 seconds).

An entry error tone (3 short beeps) will sound if the entry of the temperature or time is below the minimum or above the maximum settings for the feature.

Feature	Min. temp. /time	Max. temp. /time
Bake	170°F / 77°C	550°F / 288°C
Broil	400°F / 205°C	550°F / 288°C
Timer	1 Min.	11 Hrs. 59 Mins.
Cook Time	1 Min.	11 Hrs. 59 Mins.
Self Clean	2 hours	4 hours
Convect Bake	300°F / 149°C	550°F / 288°C
Convect Roast	300°F / 149°C	550°F / 288°C
EasyConvect Meats	300°F / 149°C	550°F / 288°C
EasyConvect Baked Goods	300°F / 149°C	550°F / 288°C
Delay Start 12 Hr	1:00	12:59
Delay Start 24 Hr	0:00	23:59

Setting Oven Controls

Setting Clock

When the appliance is first powered up, 12:00 will flash in the display (See Fig. 1). The time of day must first be set before operating the oven.



Fig. 1

Example — To set the clock to 1:30:

1. Press **Clock Set/Start** keypad.
2. Enter **1 3 0** using numeric keypads.
3. Press **START**.

Important note:

The clock cannot be changed when a Cook Time or Delay Start feature is active.

Setting Timer

The minute timer allows you to track your cooking times without interfering with the cooking process. The timer may be set from 1 minute up to 11 hours and 59 minutes.

Example — To set the timer for 5 minutes:

1. Press **Timer Set/Off** keypad.
2. Enter **5** using numeric keypad.
3. Press **START** keypad to start timer.

To cancel the timer when active press **Timer Set/Off** keypad again.

Important notes:

- The timer does not start or stop the cooking process. It serves as an extra minute timer in the kitchen that will beep when the set time has run out. The timer may be used alone or while using any of the other oven functions.
- The timer will display hours and minutes until 1 hour remains. When less than 1 hour remains, the display will count down in minutes and seconds. Once the timer has less than 1 minute remaining only seconds will display.
- When the timer is active during a cooking process, the minute timer will show in the display. To view the information of any other active oven function, press the keypad once for the other function to view the status.

Setting 12 or 24 hour display mode

The clock display mode allows you to choose between 12 or 24 hr modes. The factory pre-set clock display mode is 12 hours.

Example — To set 12 or 24 hour display mode:

1. Press and hold **Clock Set/Start** keypad for 6 seconds.
2. Press **Self Clean** keypad to toggle between 12 Hr day or 24 Hr day display modes (See Figs. 2 & 3).
3. Press **START** to accept choice.

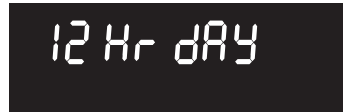


Fig. 2



Fig. 3

Changing between continuous bake setting or 12-Hour Energy Saving feature

The oven control has a factory preset built-in 12 Hour Energy Saving feature that will turn off the oven if the oven is left on for more than 12 hours. The control may be programmed to override this feature to continuously bake.

Example — To change between continuous bake or 12-Hour Energy saving feature:

1. Press and hold **Timer Set/Off** keypad for 6 seconds.
2. Press **Self Clean** to toggle between 12 Hour OFF (Fig. 4) or Stay On (Fig. 5) feature.
3. Press **START** to accept choice.



Fig. 4



Fig. 5

Setting Oven Controls

Changing oven temperature display

The oven control is preset to display °F (Fahrenheit) when shipped from the factory. The control can be changed to display either Fahrenheit or Celsius.

Example — To change the temperature to display °C (Celsius) or °F (Fahrenheit):

1. Press and hold **Broil** keypad for 6 seconds.
2. Press **Self Clean** keypad to toggle between Fahrenheit (F) or Celsius (C) temperature display modes (Figs. 1 & 2).
3. Press **START** to accept choice.

Important note:

The oven temperature display cannot be modified if Bake or Self Clean is active.



Fig. 1



Fig. 2

Setting silent or audible control mode

Silent mode allows the oven control to operate without audible tones. The control may be programmed for silent operation and later returned to operating with all the normal audible tones.

Example — To set for silent or audible mode:

1. Press and hold **Delay Start** keypad for 6 seconds.
2. Press **Self Clean** keypad to toggle between beep on or beep off. (See Figs. 3 & 4).
3. Press **START** to accept choice.



Fig. 3



Fig. 4

Setting Control Lock

Control Lock
Hold 5 Sec

The control may be programmed to lock the oven control keypads.

To activate the Control Lock feature:

1. Press and hold **START** until you hear a tone indicating Control Lock has been activated.
2. **Loc** will appear in the display (See Fig. 5).



Fig. 5

To cancel the Control Lock feature:

1. Press and hold **START** until you hear a tone indicating Control Lock has been deactivated.
2. When the **Loc** message is no longer displayed, the oven control keypads will be available for use.

Important note:

If a control keypad is pressed when Control Lock is active, the control may triple beep indicating the keypad action is not available when the Control Lock feature is active.

Setting Oven Controls

Setting Bake

Use the bake feature whenever the recipe calls for baking using normal temperatures. A reminder tone will sound indicating when the set Bake temperature is reached and to place the food in the oven.

Bake may be set for any oven temperature between 170°F (77°C) to 550°F (288°C).

⚠ CAUTION Always use pot holders or oven mitts when using the oven. When cooking, the oven interior, oven racks and cooktop will become very hot which can cause burns.

Example — To set Bake with default oven temperature of 350°F:

1. Press **Bake** keypad.
2. Press **START**.

To cancel bake at anytime press **OFF**.

Example — To set Bake for oven temperature of 425°F:

1. Press **Bake** keypad.
2. Enter **4 2 5** using numeric keypads.
3. Press **START**.

To cancel Bake at anytime press **OFF**.

Important notes:

- The oven will bake no longer than 12 hours. If you wish to continuously bake, see Changing between continuous bake setting or 12-Hour Energy Saving feature for detailed information.
- Dark or dull pans absorb more heat than shiny bakeware resulting in dark or overbrowning of foods. It may be necessary to reduce the oven temperature or cook time to prevent overbrowning of some foods. Dark pans are recommended for pies. Shiny pans are recommended for cakes, cookies and muffins.

Bread Proof

This range has a Bread Proof feature for preparing bread dough. The recommended length of time to keep the bread dough in the oven is about 45-60 minutes. Be sure however to follow the recipe's recommended times.

Since the bread dough will nearly double in volume be sure to place the prepared dough in a large bowl and arrange the oven racks to allow for this increase in size.

To activate Bread Proof feature:

1. Place dough in the oven.
2. Press the **Bread Proof** keypad. The oven temperature will reach 100°F and the convection fan will turn. (See Fig. 1).

To cancel Bread Proof at anytime press **OFF**.



Fig. 1

Setting Oven Controls

Setting Cook Time

Use Cook Time to program the oven control to automatically turn the oven function off after a desired length of time.

⚠ WARNING FOOD POISONING HAZARD. Do not let food sit for more than one hour before or after cooking. Doing so can result in food poisoning or sickness. Foods that can easily spoil such as milk, eggs, fish, meat or poultry, should be chilled in the refrigerator first. Even when chilled, they should not stand in the oven for more than 1 hour before cooking begins, and should be removed promptly when finished cooking.

Example — To program oven to Bake with oven default temperature of 350°F and to shut-off after 30 minutes:

1. Press **Cook Time** keypad.
2. Enter **3 0** using numeric keypads.
3. Press **START** to accept.
4. Press **Bake** keypad.
5. Press **START**.



Fig. 1

When the programmed cook time runs out:

1. **END** will appear in the display window and the oven will shut-off automatically (See Fig. 1).
2. The oven control will provide a beep 3 times every 30 seconds as a reminder until **OFF** keypad is pressed.

Important notes:

- The Cook Time feature may be set with Bake, Convection Bake and Convection Roast, Preheat, EasyConvection™ Feature Meats, and EasyConvection™ Feature Baked Goods. Cook Time or Delay Start will not operate with the Broil function.
- The maximum default Cook Time setting is 11 hours and 59 minutes.
- After the Cook Time feature has been activated, press the **Cook Time** keypad to display any cook time remaining.

Setting Delay Start

Delay Start sets a delayed starting time to oven cooking or cleaning functions. Prior to setting a delay start, be sure the time of day is set correctly.

⚠ WARNING FOOD POISONING HAZARD. Do not let food sit for more than one hour before or after cooking. Doing so can result in food poisoning or sickness. Foods that can easily spoil such as milk, eggs, fish, meat or poultry, should be chilled in the refrigerator first. Even when chilled, they should not stand in the oven for more than 1 hour before cooking begins, and should be removed promptly when finished cooking.

Example — To program oven for a delayed start beginning at 5:30 and to shut-off automatically after 50 minutes and for baking at 375 F:

1. Press **Cook Time** keypad.
2. Enter **5 0** using numeric keypads.
3. Press **START** to accept.
4. Press **Delay Start** keypad.
5. Enter **5 3 0** using numeric keypads.
6. Press **START** to accept.
7. Press **Bake** keypad.
8. Enter **3 7 5** using numeric keypads.
9. Press **START**.

When the programmed cook time runs out:

1. **END** will appear in the display window and the oven will shut-off automatically (See Fig. 1).
2. The oven control will provide a beep 3 times every 30 seconds as a reminder until **OFF** keypad is pressed.

Important notes:

- Delay Start may be set using a 24 hour clock. See Setting 12 or 24 hour display modes for more information.
- The Delay Start feature may be used with the Bake, Convection Bake, Convection Roast, EasyConvection™ Meats, and EasyConvection™ Feature Baked Goods cooking functions and Self Clean. Delay Start or Cook Time will not operate with the Broil function.

Setting Oven Controls

Broil

Use the broil function to cook meats that require direct exposure to radiant heat for optimum browning results. The Broil feature is factory preset to broil at 550°F. The Broil function temperature may be set at any temperature between 400°F (205°C) and 550°F (288°C).

Be aware that the suggested broil settings table (Fig. 2) are recommendations only. Increase or decrease broiling times, or move to a different rack position to suit for doneness. If the food you are broiling is not listed in the table, follow the instructions provided in your cookbook and watch the item closely.

Example — To set Broil with the default broil oven temperature of 550°F:

1. Arrange the oven racks when cool. For optimum browning results, preheat oven for 5 minutes before adding food.
 2. Position cookware in oven. **Close the oven door.**
 3. Press **Broil** keypad.
 4. Press **START**.
 5. Broil on one side until food is browned; turn and broil on other side.
 6. When finished broiling press **OFF**.
- To cancel Broil at anytime press **OFF**.

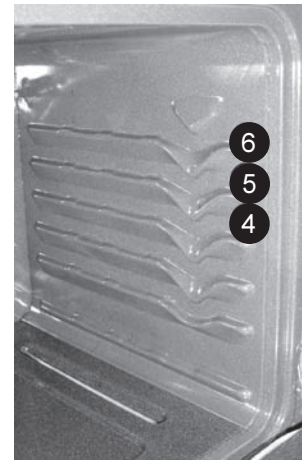


Fig. 1

⚠ WARNING Should an oven fire occur, close the oven door and turn the oven OFF. If the fire continues, use a fire extinguisher. **DO NOT** put water or flour on the fire. Flour may be explosive.

⚠ CAUTION Always use pot holders or oven mitts when using the oven. When cooking, the oven interior, exterior, oven racks and cooktop will become very hot which can cause burns

Important notes:

- Always arrange oven racks when the oven is cool.
- For best results when broiling, use a quality broil pan along with a broil pan insert. A broil pan is designed to drain the fat from the food, help avoid spatter and reduce smoking.
- When broiling, always pull the oven rack out to the stop position before turning or removing food.
- Cook Time or Delay Start will not operate with the Broil function.

Suggested broil settings table (gas oven)

Food	Rack position (See Fig. 1)	Setting	Cook time in minutes		Doneness
			1st side	2nd side	
Steak 1" thick	5th or 6th*	550°	8	6	Medium
Steak 1" thick	5th or 6th*	550°	10	8	Medium-well
Steak 1" thick	5th or 6th*	550°	11	10	Well
Pork chops 3/4" thick	5th	550°	12	8	Well
Chicken-bone in	4th	450°	25	15	Well
Chicken-boneless	5th	450°	10	8	Well
Fish	5th	550°	- as directed -		Well
Shrimp	4th	550°	- as directed -		Well
Hamburger 1" thick	5th or 6th*	550°	12	10	Medium
Hamburger 1" thick	5th	550°	14	12	Well

*Use the off-set rack only in rack position 6.

Cook times given are approximate and should be used only as a guide.

Fig. 2

Setting Oven Controls

Benefits of the convection features

- Foods may cook up to 25 to 30% faster, saving time and energy.
- Multiple rack baking.
- No special pans or bakeware needed.

Convection functions use a fan to circulate the oven's heat uniformly and continuously around the oven (See Fig. 1). This improved heat distribution allows for fast, even cooking and browning results. It also gives better baking results when using two oven racks at the same time.

Suggestions for convection features:

- For optimum cooking results it is recommended to preheat the oven when baking foods such as cookies, biscuits and breads.
- Reduce oven temperature 25°F from recipe's recommended oven temperature. Follow the remainder of the recipe's instructions using the minimum recommended cook time.
- When using 2 oven racks at the same time, place in positions 2 and 4 for best results (See Fig. 1).

Convect Bake

Heated air flows around the food from all sides, sealing in juices and flavors. Breads and pastry brown more evenly. Most foods baked in a standard will cook faster and more evenly with the convection feature.

Convect Bake may be set for any oven temperature between 300°F (149°C) to 550°F (288°C).

Example — To set Convect Bake with a default oven set temperature of 350°F:

1. Press **Convect Bake** keypad.
2. Press **START**.

To cancel Convect Bake at anytime press **OFF**.

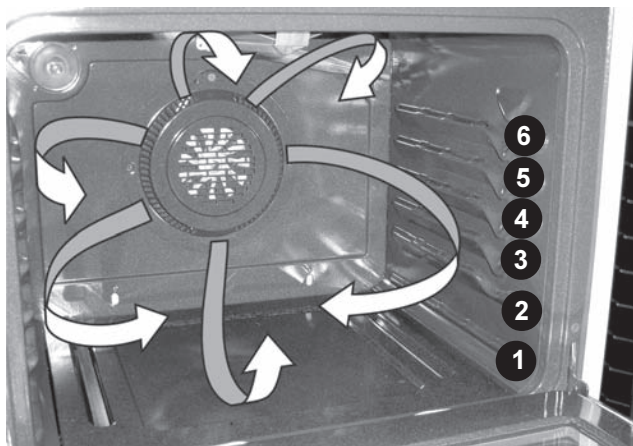


Fig. 1

Convect Roast

Meats cooked with Convect Roast function will be juicier and poultry will be crisp on the outside while staying tender and moist on the inside.

Convect Roast may be set for any oven temperature between 300°F (149°C) to 550°F (288°C).

Suggestions for Convect Roast:

- Preheating is not necessary when roasting foods using Convect Roast.
- Since Convect Roast cooks food faster, reduce the cook time by 25% from the recommended cook time of your recipe (check the food at this time). If necessary, increase cook time until the desired doneness is obtained.
- Do not cover foods when dry roasting - this will prevent the meat from browning properly.

Example — To set Convect Roast with a default oven set temperature of 350°F:

1. Press **Convect Roast** keypad.
2. Press **START**.

To cancel Convect Roast at anytime press **OFF**.

Important notes:

- The Convection fan will take 6 minutes to begin rotating after Conv Convert has been activated. This is normal.
- If the oven door is opened when any convection function is active, the convection fan will stop rotating until the oven door is closed.
- When using convection bake cook time reductions may vary depending on the amount and type of food being cooked.
- Dark or dull pans absorb more heat than shiny bakeware resulting in dark or overbrowning of foods. It may be necessary to reduce the oven temperature or cook time to prevent overbrowning of some foods. Dark pans are recommended for pies. Shiny pans are recommended for cakes, cookies and muffins.

Setting Oven Controls

EasyConvect™ Meats and Baked Goods

The **EasyConvect™ Feature Meats** and **Baked Goods** functions allows the conversion of a standard meat roasting or baked good recipe for convection baking. These controls use the normal recipe settings and adjust to a lower temperature for convection baking. After the preheat temperature is reached this feature is designed to display the oven set converted (reduced) temperature in the display.

EasyConvect™ Feature Meats and Baked Goods are designed to give optimum cooking performance when preparing roasts and baked goods by providing a gentle cycling of heat giving cakes more volume and allowing roasts to brown more evenly.

When using either **EasyConvect™ Feature Meats** or **Baked Goods** with a Cook Time or a delay start setting, the range will display a **CF** as a reminder to check food when the bake time is 75% complete (See Fig. 1). At this time the oven control will sound 1 long beep at regular intervals until the set cook time has finished.



Fig. 1

Example — To set EasyConvect™ Feature Meats:

1. Press **EASY Convect Meats** keypad.
2. Enter the recipe temperature using the numeric keypad.
3. Press **START** and the oven set temperature adjustment will appear in the display (for example; if 400° F is entered, 375 will appear).

To cancel **EasyConvect™ Feature Meats** at anytime press **OFF**.

Example — To set EasyConvect™ Feature Baked Goods:

1. Press **EASY Convect Baked Goods** keypad.
2. Enter the recipe temperature using the numeric keypad.
3. Press **START** and the oven set temperature adjustment will appear in the display (for example; if 400° F is entered, 375 will appear).

To cancel **EasyConvect™ Feature Baked Goods** at anytime press **OFF**.

Example — To add Cook Time to EasyConvect™ Feature Meats or Baked Goods using default oven set temperature:

1. Press **Cook Time**.
2. Enter **3 0** (for 30 minutes).
3. Press **Start**.
4. Press **EASY Convect Meats** or **Baked Goods**.
5. Press **Start** (or enter another temperature then press **Start**).
6. Press **Easy Convect**.

To cancel EasyConvect™ at anytime press **OFF**.

Important notes:

- The Convection fan will take 6 minutes to begin rotating after Conv Convert has been activated. This is normal.
- If the oven door is opened when any convection function is active, the convection fan will **stop rotating** until the oven door is closed.
- When using either EasyConvect™ Feature Meats or Baked Goods bake time reductions may vary depending on the oven set temperature.
- The minimum amount of Cook Time that may be entered using the EasyConvect™ Feature Meats and Baked Goods function is 20 minutes.

Meat Probe

When cooking meat such as roasts, hams or poultry, use the meat probe function to check the internal temperature without any guesswork. For some foods, especially poultry and roasts, testing the internal temperature is the best method to insure properly cooked meats.

Proper meat probe placement

- Always insert meat probe so that the probe tip rests in the center of the thickest part of meat. Do not allow meat probe to touch bone, fat, gristle or cookware.
- For bone-in ham or lamb, insert meat probe into the center of lowest large muscle or joint. For dishes such as meat loaf or casseroles, insert meat probe into center of food. To find center of the food visually measure using probe as a guide (See Fig. 2). When cooking fish, insert meat probe just above the gill.
- For whole poultry or turkey, insert meat probe into the thickest part of inner thigh, below the leg (See Fig. 3).

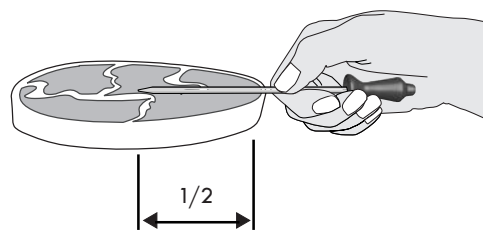


Fig. 2

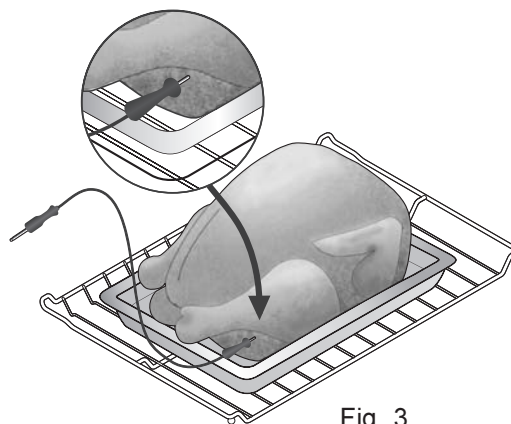



Fig. 3

Setting Oven Controls

To set meat probe:

1. Prepare the food and properly insert the temperature probe into the food. **DO NOT PREHEAT** or start cooking before inserting the meat probe. The probe should be inserted into the food and receptacle while the oven is still cool.
 2. Place the prepared food on the desired oven rack position and slide into the oven.
 3. Plug the meat probe into the probe receptacle located on the left front oven cavity side (See Fig. 1 for location of probe receptacle).
 4. The oven control detects if the meat probe is correctly plugged in to receptacle and when recognized will illuminate the  icon in the oven control display.
 5. To set the target temperature press Meat Probe keypad once then enter the desired target internal temperature using the numeric key pads (default setting is 170°F/77°C)†. Press **START** to accept the meat probe target temperature. Close the oven door.
 6. Set the oven control for Bake, Conv Bake or Conv Roast and the desired oven temperature. You may use the meat probe with some other baking features, but the meat probe cannot be set with Broil or Self Clean.
 7. While cooking, the actual meat probe temperature will display by default. To view the target temperature press the Meat Probe keypad once. After 6 seconds the display will return to the actual meat probe temperature. If the target temperature needs to be changed during the cooking process, press the Meat Probe keypad once and use the numeric keypads to adjust the target temperature. Press the **START** key to accept any change.
 8. The oven control will beep three times and turn off when the internal target temperature is reached. Instructions for changing how the oven reacts after reaching the internal target temperature may be found later in this section.
- Press **OFF** to cancel cooking at any time.

Important notes:

- Use **ONLY** the meat probe supplied with appliance. Using any other probe or device may damage the appliance and the meat probe receptacle.
- Never leave or store meat probe inside oven.
- Handle the meat probe carefully when inserting and removing from food or probe receptacle. Do not use tongs to pull on meat probe cable or to insert or remove from food or receptacle.
- Defrost food completely before inserting meat probe to avoid damaging probe.
- To avoid possibility of burns, after cooking carefully unplug meat probe using a pot holder to protect hands.
- Changing how the oven reacts after reaching the target temperature must be done before starting the cooking process.

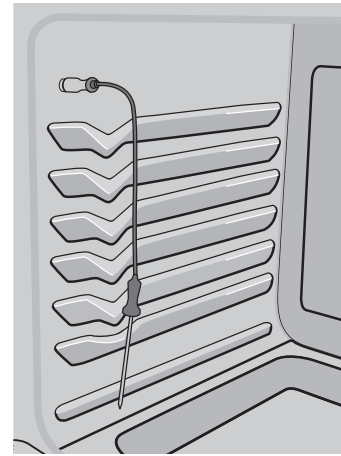


Fig. 1

To set the oven to continue cooking after reaching the probe target temperature:

1. Press **Meat Probe** keypad and hold for 6 seconds.
2. Press **Self Clean** keypad and toggle until the “Continu” message appears (Fig. 2) then press **START** to accept.

To set the oven to cancel cooking after reaching the probe target temperature:

1. Press **Meat Probe** keypad and hold for 6 seconds.
2. Press **Self Clean** keypad and toggle until “CAnCEL” message appears (Fig. 3) then press **START** to accept.



Fig. 2



Fig. 3

† The U.S. Department of Agriculture states, “Rare fresh beef is popular, but you should know that cooking it to only 140°F/60°C means some food poisoning organisms may survive.” (Source: Safe Food Book, Your Kitchen Guide, USDA Rev. June 1985.)

The lowest temperature recommended by the USDA is 145°F/63°C for medium rare fresh beef.

Setting Oven Controls

Adjusting Oven Temperature

Your appliance has been factory calibrated and tested to ensure an accurate baking temperature. For the first few uses, follow your recipe times and temperature recommendations carefully. If you think the oven is cooking too hot or too cool for your recipe times, you may adjust the control so the oven cooks hotter or cooler than the oven temperature displayed.

The oven temperature may be increased as much as +35°F (+19°C) or decreased -35°F (-19°C) from the factory calibrated settings.

Example — To increase (+) or decrease (-) the oven temperature by 20°F:

1. Press and hold **Bake** keypad until the control provides the 2nd audible tone (about 6 seconds).
2. Enter **2 0** using numeric keypad.
3. Press **Self Clean** keypad to toggle between plus (+) if increasing temperature or minus (-) if decreasing the temperature. These symbols will show in the display.
4. Press **START** to accept change.

Important notes:

- Oven temperature adjustments made will not change the Broil or Self Clean function temperatures.
- If the temperature shows an adjustment of -20°F, and a +20°F adjustment is needed, you can toggle between the minus (-) or plus (+) in the display when pressing Self Clean keypad (See step 3).
- **DO NOT USE** oven thermometers such as those found in grocery stores to check the temperature settings inside your oven. These oven thermometers may vary as much as 20 to 40°F degrees from actual temperatures.
- The oven temperature adjustment may be made if your oven control has been set to display °C (Celsius) temperatures. Maximum and minimum settings for Celsius are plus (+) or minus (-) 19°C respectively.

Operating Oven Light

The interior oven light will automatically turn ON when the oven door is opened.

Press **Oven Light** to turn the interior oven light ON and OFF whenever the oven door is closed. Note that the light will not operate during Self Clean.

The interior oven light is located at the upper left rear wall of the oven interior and is covered with a glass shield held by a wire holder. The glass shield protects the bulb from high temperatures and should always be in place whenever the oven is in use.

To replace the interior oven light, see **Replacing oven light** in the Care & Cleaning section.

Restoring Default Settings

Important note:

Restoring your default settings will reset all recipes and other adjustments to factory settings. These include 12 or 24 hour display, continuous bake or 12-Hour Energy Savings mode, silent or audible control mode, Fahrenheit or Celsius temperature display and any oven temperature adjustment settings that have been made.

1. Press and hold the **7** keypad until the first single tone sounds (6 seconds).
2. After the first tone press **START** once.

Setting Oven Controls

Sabbath Feature (for use on the Jewish Sabbath & Holidays)



For further assistance, guidelines for proper usage and a complete list of models with the Sabbath feature, please visit the web at <http://www.star-k.org>.

The **Cook Time** and **Delay Start** keypads are used to set the Sabbath feature. The Sabbath feature may only be used after the Bake function is active.

Once the oven is properly set using the **Bake** function and the Sabbath mode is active, the oven will remain continuously ON until the Sabbath feature is cancelled. The Sabbath feature will override the factory preset 12-Hour Energy Saving feature and start the continuous bake mode.

⚠ WARNING FOOD POISONING HAZARD. Do not let food sit for more than one hour before or after cooking. Doing so can result in food poisoning or sickness. Foods that can easily spoil such as milk, eggs, fish, meat or poultry, should be chilled in the refrigerator first. Even when chilled, they should not stand in the oven for more than 1 hour before cooking begins, and should be removed promptly when finished cooking.

Example — To program the oven to Bake at default oven temperature of 350°F and activate the Sabbath feature:

1. Be sure the clock is set with the correct time of day.
2. Arrange oven racks, place cookware in oven and close oven door.
3. Press **Bake** keypad.
4. Press **START**.
5. If Cook Time or Delay Start are not needed, **skip this step and continue to step 6**. If a Cook Time or Delay Start are desired enter the times and press **START**. Refer to the Cook Time and Delay Start sections for detailed instructions.
6. Press and hold both **Cook Time** and **Delay Start** keypads simultaneously for about 3 seconds to set the Sabbath feature. The control will provide an acceptance tone and SAb (See Fig. 1) will appear in the display indicating the oven is properly set for the Sabbath feature.

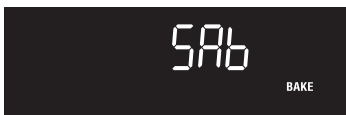


Fig. 1



Fig. 2

Example — To turn the oven off and keep the Sabbath feature active:

Press **OFF**.

Example — To turn off the Sabbath feature:

Press and hold both **Cook Time** and **Delay Start** keypads simultaneously for at least 3 seconds to turn the Sabbath feature off. The control will provide an acceptance tone and SAb will disappear from the display. The oven is no longer programmed for the Sabbath feature.

What to do during a power failure or power interruption after the Sabbath feature was activated:

Should you experience a power failure or interruption, the oven will shut-off. When power is restored the oven will not turn back on automatically, but will remember that it is set for the Sabbath. The display will show the message **SF** for Sabbath failure (Fig. 2).

Food may be safely removed from the oven while still in the Sabbath feature, however the oven cannot be turned back on until after the Sabbath/Holidays. After the Sabbath observance turn **OFF** the Sabbath feature. Press and hold both **Cook Time** and **Delay Start** keypads for at least 3 seconds simultaneously and SF will disappear from the display.

Important notes:

- It is not advised to attempt activating any other oven function except Bake while the Sabbath feature is active. **ONLY** the following keypads will function correctly when the Sabbath feature is active: 0-9 number keypads, **Bake**, **START** and **OFF**. **ALL OTHER KEYPADS** should not be used once the Sabbath feature is activated.
- You may change the oven temperature once baking has started. Press **Bake** keypad, use the numeric keypads to enter the oven temperature change (170 to 550°F) and press **START** (for Jewish Holidays only). Remember that the oven control will no longer provide audible tones or display any further changes once the Sabbath feature is active.
- It is recommended that any oven temperature change with the Sabbath feature active be followed with 2 presses of the **START** keypad to insure the oven remains ON even if the oven temperature is set incorrectly. If an incorrect oven temperature is set, the oven will default to 170°F or 550°F. Try to set the desired oven temperature again.
- If the oven light is needed during the Sabbath, press the **Oven Light** keypad **before** activating the Sabbath feature. Once the oven light is turned on and the Sabbath feature is active, the oven light will remain on until the Sabbath feature is turned OFF. If the oven light needs to be off, be sure to turn the oven light off **before** activating the Sabbath feature.
- Remember the oven will shut-off automatically after completing a **Cook Time**, **Delay Start** or **Keep Warm** and therefore may only be used once during the Sabbath/Jewish Holidays.
- If a Delay Start time longer than the default 11 hours and 59 minutes in advance is desired, set the oven control for the 24 hour day display mode setting. For detailed instructions see **Setting 12 or 24 hour display modes**.

Setting Warming Drawer Controls

Warming Drawer

The purpose of the warming drawer is to keep hot cooked foods at serving temperatures. Examples are vegetables, gravies, meats, casseroles, biscuits, rolls and pastries. It is not recommended to heat cold food in the warming drawer; always start with hot food.

The warming drawer may also be used to warm dinner plates. All food placed in the warming drawer should be covered with a lid or aluminum foil to maintain quality.

Arranging warming drawer rack positions

The keep warming drawer rack may be used in 2 ways:

- In the **upright position** (See Fig. 1) to allow low profile food items to be placed both under and on top of the rack (for example, rolls or biscuits on top of the rack and a casserole dish underneath).
- In the **downward position** (See Fig. 2) to allow for light weight food items and empty cookware (for example, rolls or pastries and dinner plates) on the rack.

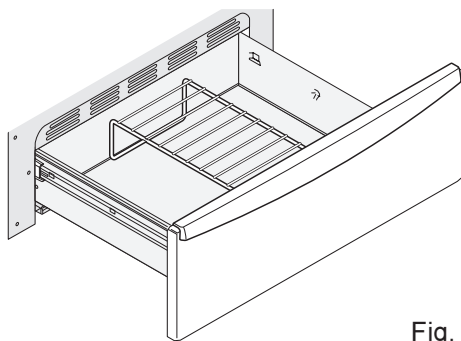


Fig. 1

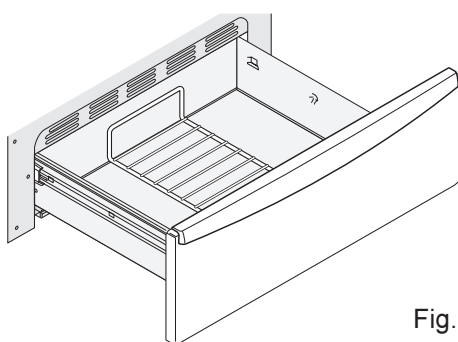


Fig. 2

Setting Warming Drawer

The Warming Drawer control, located on the control panel, is used to select the temperature for the warming drawer. The temperatures are marked **Low**, **Med** and **High** (See Fig. 3).



Fig. 3

⚠ WARNING FOOD POISONING HAZARD. Do not let food sit for more than one hour before or after cooking. Doing so can result in food poisoning or sickness.

⚠ WARNING Storage in or on appliance—flammable materials should not be stored in an oven, warming drawer, near surface units. This includes paper, plastic and cloth items, such as cookbooks, plasticware and towels, as well as flammable liquids. Do not store explosives, such as aerosol cans, on or near the range.

⚠ WARNING DO NOT LEAVE CHILDREN ALONE — children should not be left alone or unattended in the area where appliance is in use. They should never be allowed to sit or stand on any part of the appliance, including the warming drawer.

⚠ WARNING DO NOT LEAVE CHILDREN ALONE unattended where appliance is in use. The outside of the range can become very hot to touch and can cause burns or serious injury.

⚠ CAUTION Always use potholders or oven mitts when removing food from the warming drawer as cookware and plates will be hot and you can be burned.

To set warming drawer:

1. Open warming drawer when cool and arrange Warming Drawer rack as needed. Close the Warming Drawer.
2. Press the Warming Drawer's **On/Off** keypad. If a temperature setting is not selected within 6 seconds the control will turn off.
3. Scroll through the **Low**, **Med** and **High** temperature settings by repeatedly pressing the **+/-** keypad
4. For best results preheat the drawer before adding food or plates. An empty warming drawer will fully preheat in approximately 15 minutes.
5. Place food in warming drawer that is already at serving temperature on warming drawer rack. Dinner plates may be warmed also.
6. After use, press Warming Drawer's **On/Off** keypad to turn the Warming Drawer off.

Important notes:

- Always start with hot food when using the warming drawer. **DO NOT** heat cold food in the warming drawer.
- Self Clean can not be set when the warming drawer is active.
- The warming drawer is equipped with a catch that may require extra force to open and close the drawer.
- Do not use plastic wrap to cover food. Plastic may melt onto the drawer and be very difficult to clean up. Use only utensils and cookware recommended by the manufacturer for use in the keep warm drawer.

Setting Warming Drawer Control

Warming drawer recommended settings

The recommended warming drawer food settings is provided in Fig. 3. Remember the settings provided are meant to be used as recommendations only. If a particular food is not listed, start with the **Med** (medium) setting. If more crispness is desired, remove the lid or aluminum foil from the food.

Most foods can be maintained at serving temperatures on the **Med** setting. When a combination of foods are to be kept warm (for example, a meat with 2 vegetables and rolls) use the **High** setting. To minimize heat loss, avoid opening the warming drawer frequently while in use.

Warming drawer recommended food settings

Food Item	Setting
Bacon	High
Hamburger patties	High
Poultry	High
Pork chops	High
Fried foods	High
Pizza	High
Gravies	Med (Medium)
Casseroles	Med (Medium)
Eggs	Med (Medium)
Roasts	Med (Medium)
Vegetables	Med (Medium)
Biscuits	Med (Medium)
Rolls (hard)	Med (Medium)
Pastries	Med
Rolls (soft)	Low
Empty dinner plates	Low

Fig. 3

Warming Drawer

Removing and replacing the Warming Drawer

⚠ WARNING Electrical shock hazard can occur and result in serious injury or death. Disconnect appliance from electric power before cleaning and servicing the warming drawer.

To remove the warming drawer:

1. Turn power OFF to the appliance **before** removing the warming drawer.
2. Open the warming drawer completely.
3. On left warming drawer rail, locate black release lever and press up with finger while pulling out slightly on the oven drawer handle. On right warming drawer rail, locate black release lever and press down with finger while pulling out slightly on the warming drawer handle (See Fig. 1).
4. The warming drawer should now be released from the rails. Remove warmer oven drawer (using level & square motion) completely out and away from the appliance.

To replace the warming drawer:

1. Pull the bearing glides to the front of the outer compartment glide channels until they snap into place (See Fig. 3).
2. Carefully line up both sides of the warming drawer glide rails to the outer compartment glide channels located inside the empty warming drawer compartment (See Fig. 2).
3. While holding the warming drawer level and square using the warming drawer handle, push (**do not force**) the warming drawer all the way into the outer compartment glide channels all the way into the range. Open the warming drawer again to verify the glides have seated.
4. If you do not hear the levers “click” or the bearing glides do not feel seated remove the warming drawer and repeat steps 1 through 3 again. This will minimize possible damage to the bearing glides.

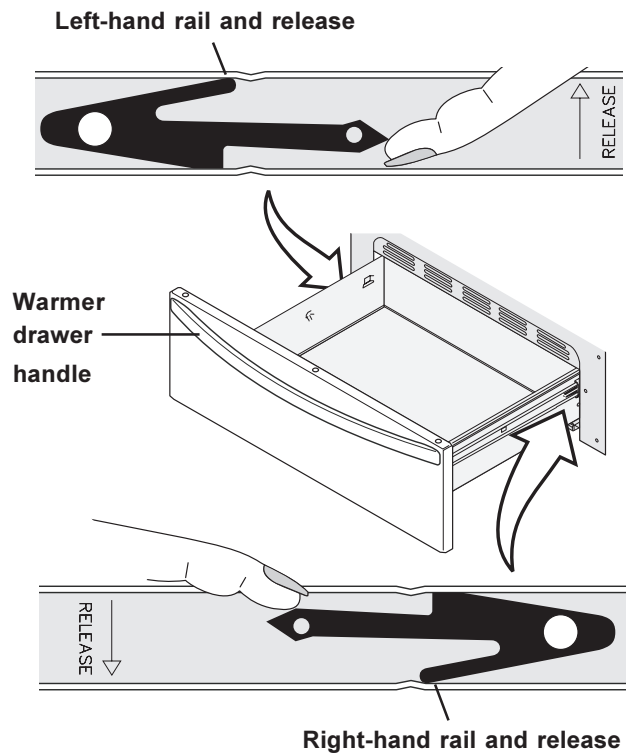
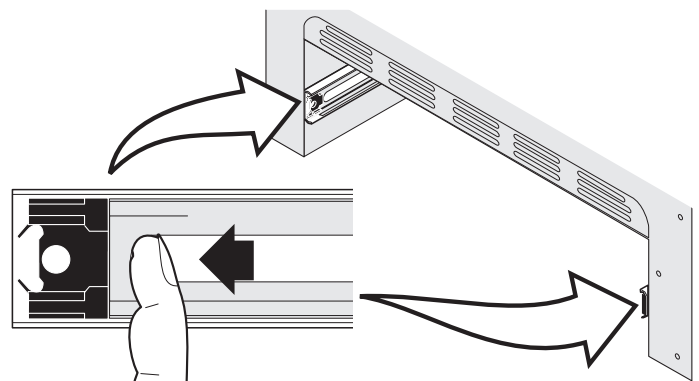


Fig. 1



Fig. 2



Self Clean

A self-cleaning oven cleans itself with high temperatures (well above normal cooking temperatures) which eliminate soils completely or reduces them to a fine powdered ash you can wipe away afterwards with a damp cloth.

The Self Clean function allows you to set any amount of cleaning time from 2 hours to 4 hours. A 3-hour cleaning time is best used for normal cleaning; 2-hour time for light soils and a 4-hour clean time for heavier stubborn soils.

Read before starting Self Clean

Be sure to read all the following caution and important statements BEFORE starting a self-clean cycle:

⚠ CAUTION DO NOT leave small children unattended near the appliance. During the self-cleaning cycle, the outside of the range can become very hot to touch and can cause burns or serious injury.

⚠ CAUTION REMOVE ALL OVEN RACKS and parts before starting a self-clean cycle. If the oven racks are left in the oven during the self-clean cycle, the glide ability of the gliding racks will be damaged and will cause all oven racks to lose their shiny finish and or turn blue. Remove all oven racks and clean according to instructions provided in the Care & Cleaning section of this manual.

⚠ CAUTION DO NOT line the oven walls, racks, bottom or any other part of the range with aluminum foil. Doing so will destroy heat distribution, produce poor baking results and cause permanent damage to the oven interior. Aluminum foil will melt to the interior of the oven.

⚠ CAUTION Move birds to another well-ventilated room. The health of some birds is extremely sensitive to the fumes given off during the self-cleaning cycle of any range.

⚠ CAUTION DO NOT force the oven door open. This can damage the automatic door locking system.

⚠ CAUTION Use caution when opening the oven door after self-cleaning. The oven may still be VERY HOT and can cause burns. To avoid possible burns stand to the side of the oven when opening the oven door to allow hot air or steam to escape.

To prepare for Self Clean:

- Completely remove **ALL OVEN RACKS** and **ANY ACCESSORIES FROM OVEN CAVITY to avoid damage to oven racks.** If the oven racks are not removed they may discolor.
- Remove ALL items from the oven and cooktop including cookware, utensils and **ANY ALUMINUM FOIL.** Aluminum foil will not withstand high temperatures from a self-clean cycle and will melt.
- **DO NOT** use oven cleaners or oven protective coatings in or around any part of the oven interior.

- Clean any soil from the oven frame, the door liner outside the oven door gasket and the small area at the front center of the oven bottom (See Fig. 1). These areas heat sufficiently to burn soil on. Clean using soap and water prior to starting Self Clean (See Fig. 1).
- Oven light will not work during a Self Clean cycle.
- Remove any excessive spillovers. Any spills on the oven bottom should be wiped-up and removed before starting a self-clean cycle. To clean, use hot, soapy water and a cloth. Large spillovers can cause heavy smoke or fire when subjected to high temperatures. **DO NOT** allow food spills with a high sugar or acid content (such as milk, tomatoes, sauerkraut, fruit juices or pie filling) to remain on the surface as they may leave a dull spot even after cleaning.
- **DO NOT clean the oven door gasket** (See Fig. 1). The woven material of the oven door gasket is essential for a good seal. Care should be taken not to rub, damage or remove the gasket. **DO NOT use any cleaning materials on the oven door gasket.** Doing so could cause damage to the door gasket.

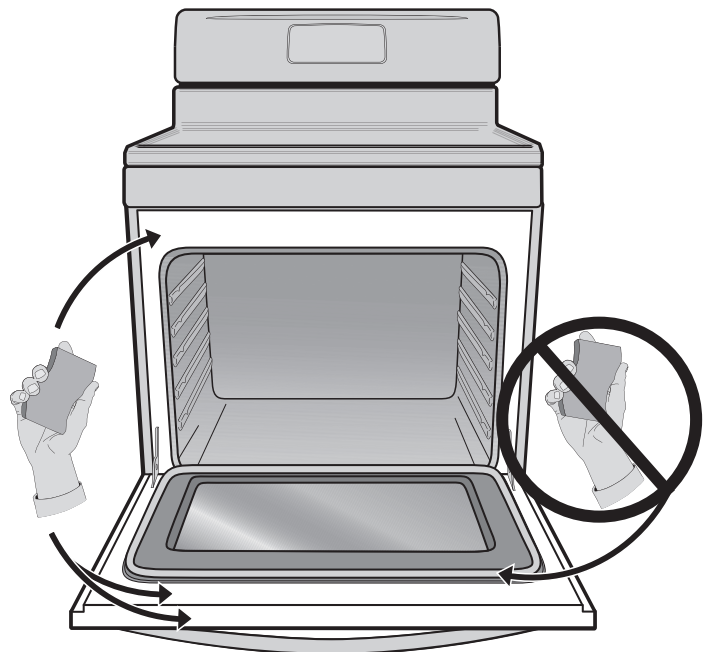


Fig. 1

Setting Self Clean

Example — To set Self Clean to start immediately:

1. Be sure the oven is empty and **ALL** oven racks are removed. Remove all items from the cooktop. Be sure oven door is completely closed.
2. Press **Self Clean** keypad once for a default 3-hour clean time. Press it again for the option of a 4-hour clean time or a third time to give you the option of a 2-hour clean time. Keep pressing the keypad to toggle back through the cleaning time options.
3. Press **START** to activate Self Clean.

Self Clean

As soon as Self Clean becomes active, a motor driven lock mechanism will begin locking the oven door automatically, and **door Loc** will appear in the display (See Fig. 1). **DO NOT** open the oven door when **door Loc** is displayed (allow 15 seconds for the lock mechanism to lock the oven).

Once the oven door has locked, **CLn** will appear in the display indicating Self Clean has started (Fig. 2).



Fig. 1



Fig. 2



Fig. 3

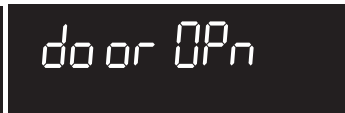


Fig. 4

When Self Clean is finished:

⚠ CAUTION Use caution when opening the oven door after self-cleaning. The oven may still be **VERY HOT and can cause burns**. To avoid possible burns stand to the side of the oven when opening the oven door to allow hot air or steam to escape.

1. **CLn** message will turn off and **Hot** will appear in display window (See Fig. 3).
2. Once the oven has cooled down (about 1 hour) and **Hot** is no longer displayed the **door OPn** message will appear (Fig. 4). **When this message turns off the oven door may be opened.**
3. When the oven interior has completely cooled, wipe away any residue or powdered ash with a damp cloth or paper towel.

Important notes:

- The kitchen area should be well ventilated using an open window, ventilation fan or exhaust hood during the 1st self-clean cycle. This will help eliminate the normal odors associated with the 1st self-clean cycle.
- If Self Clean is active and then interrupted by power failure or cancelled before the oven was thoroughly cleaned, it may be necessary to run a self-clean cycle again. If the oven temperature was high enough when interrupted you may need to allow up to 4 hours for the oven to cool before Self Clean can be started again.
- When the clean time finishes the oven door will remain locked until the range has cooled sufficiently. In addition to the clean time that was programmed, you must allow about 1 additional hour for the oven to cool before you will be able to open the oven door.
- The Self Clean function will not operate whenever a Control Lock is active.

Delayed Start Self Clean

Example — To start a delay Self Clean with default clean time of 3 hours and a start time of 9:00 o'clock:

1. Be sure the clock is set with the correct time of day, the oven is empty and ALL oven racks are removed. Be sure oven door is completely closed.
2. Press **Delay Start** keypad.
3. Using numeric keypad enter **9 0 0** for time to start.
4. Press **START** to accept.
5. Press **Self Clean** keypad.
6. Press **START**.

If it becomes necessary to stop Self Clean when active:

1. Press **OFF**.
2. If Self Clean has heated the oven to a high temperature, allow enough time for the oven to cool and for the **door OPn** message to appear (Fig. 4). When this message turns OFF the oven door may be opened.
3. Restart Self Clean if needed.

Important notes:

- When Self Clean function is active you may check the amount of clean time remaining by pressing the Self Clean keypad once.
- If your control is set with the default 12 hour display mode, the Delay Self Clean can only be set to start up to 11 hours and 59 minutes in advance. To set a Delay Start Self Clean to begin 12 or more hours (maximum is 23 hours and 59 minutes) in advance, be sure to set the control for 24 hour display mode.

Care & Cleaning

Cleaning recommendation table

Surface type	Recommendation
Control knobs Painted body parts Painted decorative trim Aluminum, plastic or vinyl trim pieces	For general cleaning, use hot, soapy water and a cloth. For more difficult soils and built-up grease, apply a liquid detergent directly onto the soil. Leave on soil for 30-60 minutes. Rinse with a damp cloth and dry. Do not use abrasive cleaners on any of these materials; they can scratch. To remove control knobs, turn to OFF position; grasp firmly and pull straight off the shaft. To replace knobs after cleaning, line up the flat sides of both knob and shaft; then push knob into place.
Control panel Control keypad membrane Decorative trim (some models)	Before cleaning the control panel, turn all controls OFF, activate Control Lock (on some models) and if needed remove any knobs from panel. Do not use abrasive cleaners on any of these materials; they can scratch. Clean using hot, soapy water and a dishcloth. Be sure to squeeze excess water from dishcloth before wiping control panel; especially when wiping around the controls area. Excess water in or around the controls may cause damage to the appliance. When rinsing, use clean water and a dishcloth and be sure to squeeze excess water from dishcloth before wiping the control panel.
Porcelain enamel parts & door liner (some models)	Gentle scrubbing with a soapy no-scratch cleaning pad will remove most spots. Rinse with a 1:1 solution of clear water and ammonia. If necessary, cover difficult spots with an ammonia-soaked paper towel for 30 to 40 minutes. Rinse with clean water and a damp cloth, and then scrub with a soap-filled no-scratch cleaning pad. Rinse and wipe dry with a clean cloth. Do not allow food spills with a high sugar or acid content (milk, tomatoes, sauerkraut, fruit juices or pie filling) to remain on the surface; they may cause a dull spot even after cleaning.
Oven interior	For oven interior remove excessive spillovers from oven cavity bottom before starting Self Clean. Clean any soils from oven frame and door liner outside the oven door gasket. For very important cleaning precautions be sure to read all the instructions in the Self Clean section.
Oven racks	Remove oven racks from oven cavity before starting Self Clean. Clean by using a mild, abrasive cleaner following manufacturer's instructions. Rinse with clean water, dry and then replace in oven.
Oven door	Use soap & water to thoroughly clean the top, sides and front of the oven door. Rinse well. You may use a glass cleaner on the outside glass of the oven door. Do not immerse the door in water. Do not spray or allow water or the glass cleaner to enter the door vents. Do not use oven cleaners, cleaning powders or any harsh abrasive cleaning materials on the outside of the oven door.
Cooktop surface Surface burners Burner grates	Do not use spray oven cleaners on the cooktop. See Cleaning the cooktop and burner grates instructions provided in the Care & Cleaning section.
Stainless Steel (some models)	Only use cleaners and polishes that are specifically manufactured for cleaning stainless steel. Always rub in direction of metal grain to avoid damaging. Do not use cleaners with high concentrations of chlorides or chlorine. Do not use harsh scrubbing cleaners. Polish with a lint-free cloth. Always be sure to wipe excess cleaner/polish off from the metal surface as bluish stains may occur during future oven heating that cannot be removed. Clean heavier soils with hot, soapy water and a dishcloth. Rinse and dry using clean water and a cloth.

Care & Cleaning

Cleaning the cooktop and surface burners

⚠ CAUTION To avoid possible burns **DO NOT** attempt any of the cooktop cleaning instructions provided before turning OFF all of the surface burners and allow them to completely cool.

⚠ CAUTION Any additions, changes or conversions required in order for this appliance to satisfactorily meet the application needs must be made by an authorized qualified agency.

Routinely clean the cooktop. Wipe with a clean, damp cloth and wipe dry to avoid scratches.

Keeping the surface burner head ports and slots clean will prevent improper ignition and an uneven flame. See the following sections for more instructions.

Cleaning recessed or contoured areas of cooktop

If a spill occurs on or in the recessed or contoured areas, blot up spill with an absorbent cloth. Rinse with a clean, damp cloth and wipe dry.

Cleaning surface burner grates

- Clean only after the grates are completely cool.
- Use nonabrasive plastic scrubbing pad and mild abrasive cleanser or clean in the dishwasher.
- Food soils containing acids may affect the finish. Clean immediately after the grates are cool.
- Thoroughly dry grates immediately following cleaning.

Cleaning burner caps

- Remove caps from burner heads after they have cooled.
- Clean heavy soils with a plastic scrubbing pad and absorbent cloth.
- Thoroughly dry burner caps immediately following cleaning including the bottom and inside of cap.
- Do not use abrasive cleaners. They can scratch porcelain.
- Do not clean burner caps in the dishwasher.
- **Do not operate surface burners without burner caps properly in place. Read important notes.**

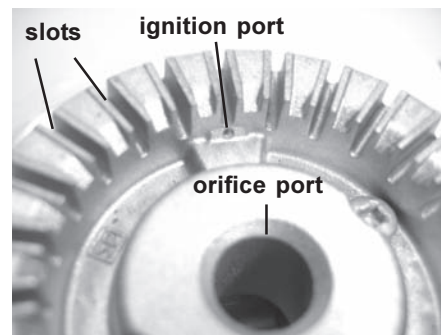


Fig. 1 - Cooktop burner head

Cleaning surface burner heads

For proper gas flow it may be necessary to clean the burner head and slots. To clean, first use a clean damp cloth to soak up any spills. Remove any food from between the burner slots using a small nonabrasive brush like a toothbrush and afterwards wipe up using a damp cloth. For stubborn soils located in the slots, use a small-gauge wire or needle to clean.

Any spill on or around the electrode must be carefully cleaned. Take care not to hit the electrode with anything hard or it could be damaged.

To clean the burner head ignition ports

Each burner head has a small ignition port located as shown. Should you experience ignition problems it may be that this port hole is partially blocked with soil. With the burner head in place, use a small wire gauge needle or the end of a paper clip to clear the ignition port (Refer to Fig. 1; round style shown; oval burner on some models not shown).

Important notes:

- The surface burner heads are secured to the cooktop and must be cleaned in place on the cooktop.
- **Always** keep the surface burner caps in place **whenever a surface burner is in use.**
- When replacing the burner caps, be sure the burner caps are **seated firmly on top of the burner heads.**
- For proper flow of gas and ignition of burners **DO NOT** allow spills, food, cleaning agents or any other material to enter the gas orifice port opening.

Care & Cleaning

General cleaning

Refer to the **Cleaning recommendation table** in the Care & Cleaning section for more detailed information about cleaning specific parts of the range.

⚠ CAUTION Before manually cleaning any part of the range, be sure all controls are turned OFF and the range is COOL. The range may be hot and can cause burns.

⚠ CAUTION Ammonia must be rinsed before operating the oven. Provide adequate ventilation.

Aluminum foil and utensils

⚠ WARNING NEVER cover any slots, holes or passages in the oven bottom or cover an entire oven rack with materials such as aluminum foil. Doing so blocks air flow through the oven and may cause CARBON MONOXIDE poisoning. Aluminum foil linings may trap heat, causing a fire hazard.

- **Aluminum foil** - Use of aluminum foil on a hot cooktop can damage the cooktop. Do not use thin aluminum cooking utensils or allow aluminum foil to touch the surface burners under ANY circumstances.
- **Aluminum utensils** - The melting point of aluminum is much lower than that of other metals. Care must be taken when aluminum pots or pans are used on the cooktop. If aluminum pans are allowed to boil dry when using the cooktop, the utensil may be damaged or destroyed.

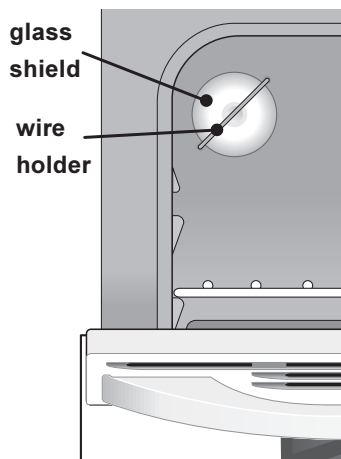
Replacing oven light

⚠ CAUTION Be sure the range is unplugged and all parts are COOL before replacing oven light. Wear a leather-faced glove for protection against possible broken glass.

The oven light is located at the rear of the oven cavity and is covered with a glass shield held by a wire holder. The glass shield protects the light bulb and must be in place whenever the oven is in use.

To replace the interior oven light bulb:

1. Turn electrical power off at the main source or unplug the range.
2. Press wire holder to one side to release the glass shield that covers the light bulb.
3. Replace light with a new 40 watt appliance bulb.
4. Replace glass shield over bulb and snap wire holder back into place.
5. Turn power on at the main source (or plug the appliance in to an electrical outlet).
6. The clock will then need to be reset. To reset, see **Setting clock** in this Use & Care Guide.



Care & Cleaning

Removing and replacing the lift-off oven door

⚠ CAUTION To avoid possible injury when removing or replacing the oven door, follow the instructions below **carefully** and always hold the oven door with both hands positioned **away from the door hinge area**.

⚠ CAUTION The door is heavy. For safe, temporary storage, lay the door flat with the inside of the door facing down.

To remove oven door:

1. Open oven door completely (horizontal with floor - Fig.1).
2. Pull the door hinge locks on both left and right door hinges down from the oven frame completely towards the oven door (Fig. 2). A tool such as a small flat-blade screwdriver may be required.
3. Firmly grasp both sides of oven door along the door sides (Do not use the oven door handle - Fig. 3).
4. Close the door to the broil stop position (the oven door will stop into this position just before fully closing).
5. With the oven door in the broil stop position, lift the oven door hinge arms over the roller pins located on each side of the oven frame (Fig. 4).

To replace oven door:

1. Firmly grasp both sides of oven door along the door sides (Do not use the oven door handle - Fig. 3).
2. Holding the oven door at the same angle as the removal position, seat the hook of the hinge arm over the roller pins located on each side of the oven door frame (Fig. 4). The hook of the hinge arms must be fully seated onto the roller pins.
3. Fully open the oven door (horizontal with floor - Fig. 1).
4. Push the door hinge locks up towards and into the oven frame on both left and right oven door hinges (Fig. 2) to the locked position; then close the oven door.

Special door care instructions

Most oven doors contain glass that can break. Read the following recommendations:

- Do not close the oven door until all the oven racks are fully in place inside the oven cavity.
- Do not hit the glass with pots, pans, or any other object.
- Scratching, hitting, jarring or stressing the glass may weaken its structure causing an increased risk of breakage at a later time.

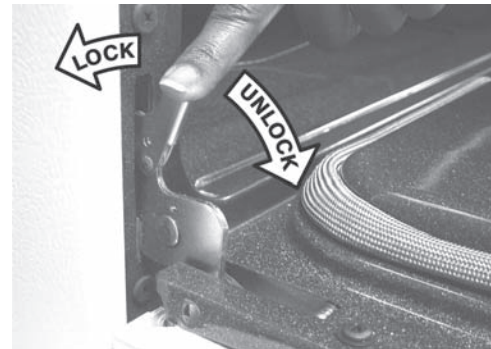
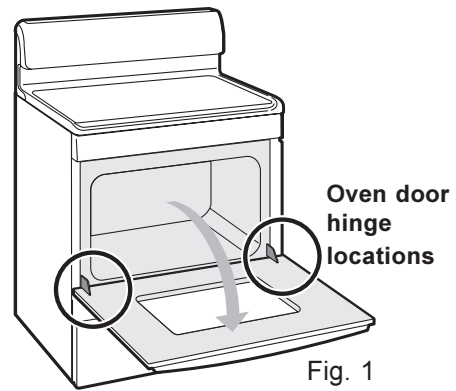


Fig. 2

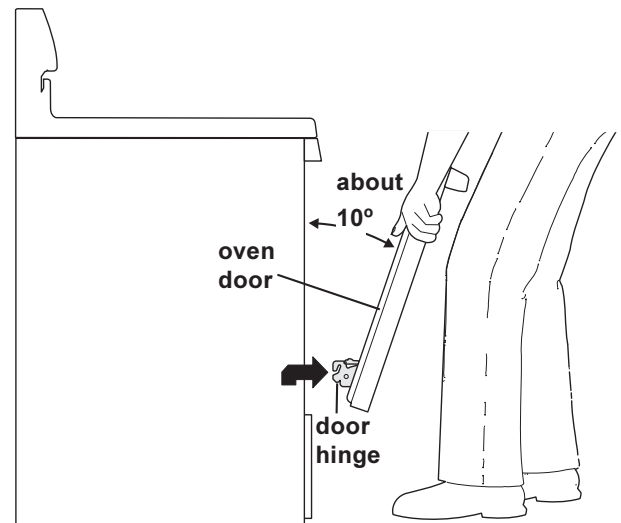


Fig. 3

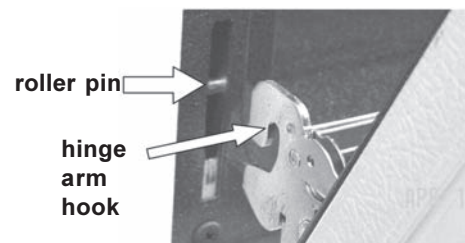


Fig. 4

Before You Call • Solutions to common problems

Before you call for service, review the following list. It may save you time & expense. Possible solutions to these problems are provided with the problem listed:

Problem	Solution
Poor baking results.	Many factors affect baking results. Make sure the proper oven rack position is used. Center food in the oven and space pans to allow air to circulate. Allow the oven to preheat to the set temperature before placing food in the oven. Try adjusting the recipe's recommended temperature or baking time. If you feel the oven is too hot or cool, see Adjusting oven temperature in Setting Oven Controls section.
Appliance is not level.	<ul style="list-style-type: none">• Be sure floor is level, strong & stable enough to adequately support range.• If floor is sagging or sloping, contact a carpenter to correct the situation.• Poor installation. Place oven rack in center of oven. Place a level on the oven rack. Adjust leveling legs at base of appliance until the rack is level.• Kitchen cabinet alignment may make range appear not level. Be sure cabinets are square & have sufficient room for appliance clearance.
Cannot move appliance easily. Appliance must be accessible for service.	<ul style="list-style-type: none">• Cabinets not square or are built in too tightly. Contact builder or installer to make appliance accessible.• Carpet interferes with appliance. Provide sufficient space so appliance can be lifted over carpet.• Gas line is hard-plumbed. Have a flexible CSA International approved metal appliance connector installed.
Oven portion of appliance does not operate.	<ul style="list-style-type: none">• Be sure regulator gas valve is turned to ON. See installation instructions.• The time of day is not set. The time of day must first be set in order to operate the oven. See Setting clock in Setting Oven Controls section.• Be sure the oven controls are set properly for the desired function. See Setting Oven Controls section and review instructions for the desired cooking function in this manual or see "Entire appliance does not operate" in this checklist.
Entire appliance does not operate.	<ul style="list-style-type: none">• Make sure power cord is plugged properly into outlet.• Electrical power outage. Check house lights to be sure. Call your local electric company for service outage information.• Service wiring is not complete. See Assistance or Service section of manual for assistance contact information.
Oven control beeps and displays F code error.	Oven control has detected a fault or error condition. Press OFF keypad to clear the error code. Try Bake or Broil function. If the F code error repeats, remove power from appliance, wait 5 minutes and then repower appliance and set clock with the correct time of day. Try Bake or Broil function again. If the fault recurs, press OFF to clear and see Assistance or Service section of manual for assistance contact information.

Before You Call • Solutions to common problems

Problem	Solution
Oven smokes excessively when broiling.	<ul style="list-style-type: none">• Incorrect setting. Follow broiling instructions in Setting Oven Controls section.• Be sure oven door is closed when broiling.• Meat too close to upper burner. Reposition the oven rack to provide proper clearance between the meat & the upper burner. Preheat oven when searing.• Meat not properly prepared. Remove excess fat from meat. Cut remaining fatty edges to prevent curling, but do not cut into lean.• Grease has built up on oven surfaces. Regular cleaning is necessary when broiling frequently. Old grease or food spatters cause excessive smoking.
Flames inside oven or smoking from oven vent.	Excessive spillovers in oven. For example this will happen for pie spillovers or large amounts of grease left on the oven bottom. Wipe up excessive spillovers before starting oven. If flames or excessive smoke are present see Broil in Setting Oven Controls section.
Convection fan does not rotate.	<ul style="list-style-type: none">• Allow 6 minutes for convection fan to start rotating after setting Convection.• Oven door is open. Convection fan will turn off if oven door is opened when Convection is active. Close oven door.
Self Clean does not work.	Oven control not set properly. Review instructions in Self Clean section.
Soil not completely removed after running Self Clean cycle.	<ul style="list-style-type: none">• Self Clean was interrupted. Review instructions in Self Clean section.• Excessive spillovers on oven bottom. Remove before starting Self Clean.• Failure to clean soil from the oven frame, the door liner outside the oven door gasket and the small area at the front center of the oven bottom. These areas are not in the self-cleaning area, but get hot enough to burn on residue. Clean these areas before the self-cleaning cycle is started. Burned-on residue can be cleaned with a stiff nylon brush and water or a nylon scrubber. Be careful not to damage the oven gasket.
Oven racks discolored.	Oven racks left in oven cavity during Self Clean. Always remove oven racks from oven cavity before starting a self-clean cycle. Clean by using a mild, abrasive cleaner following manufacturer's instructions. Rinse with clean water, dry and replace in oven.
Oven light does not work.	Be sure the oven light is secure in the socket. Also see Replacing oven light in the Care & Cleaning section.

Before You Call • Solutions to common problems

Problem	Solution
Surface burners do not ignite.	<ul style="list-style-type: none">• Surface control knob was not completely turned to LITE. Push in & turn the surface control knob to LITE until burner ignites and then turn control knob to desired flame size.• Burner ports are clogged. With the burner OFF, use a small-gauge wire or needle to burner head slots and ignition ports. See Cleaning the cooktop and surface burners in the Care & Cleaning section for additional cleaning instructions.• Range power cord is disconnected from outlet (electric ignition models only). Be sure power cord is securely plugged into the power outlet.• Electrical power outage. Burners may be lit manually. See section on Setting Surface Controls.
Surface burner flame only part way around burner cap.	<ul style="list-style-type: none">• Burner slots or ports are clogged. With the surface burner OFF, clean ports with a small-gauge wire or needle.• Moisture is present after cleaning. Lightly fan the flame and allow burner to operate until flame is full.
Surface burner flame is orange.	Dust particles in main gas line. Allow the burner to operate a few minutes until flame turns blue. In coastal areas, a slightly orange flame is unavoidable due to salt content in air.

Assistance or Service

Before calling for assistance or service, please check “Troubleshooting.” It may save you the cost of a service call. If you still need help, follow the instructions below.

When calling, please know the purchase date and the complete model and serial number of your appliance. This information will help us to better respond to your request.

If you need replacement parts

If you need to order replacement parts, we recommend that you use only factory specified parts. These factory specified parts will fit right and work right because they are made with the same precision used to build every new KITCHENAID® appliance.

To locate factory specified parts in your area, call us or your nearest KitchenAid designated service center.

In the U.S.A.

Call the KitchenAid Customer eXperience Center toll free: 1-800-422-1230.

Our consultants provide assistance with:

- Features and specifications on our full line of appliances.
- Installation information.
- Use and maintenance procedures.
- Accessory and repair parts sales.
- Specialized customer assistance (Spanish speaking, hearing impaired, limited vision, etc.).
- Referrals to local dealers, repair parts distributors and service companies. KitchenAid designated service technicians are trained to fulfill the product warranty and provide afterwarranty service, anywhere in the United States.

To locate the KitchenAid designated service company in your area, you can also look in your telephone directory Yellow Pages.

For further assistance

If you need further assistance, you can write to KitchenAid with any questions or concerns at:

KitchenAid Brand Home Appliances
Customer eXperience Center
553 Benson Road
Benton Harbor, MI 49022-2692

Please include a daytime phone number in your correspondence.

Accessories

Accessories U.S.A.

To order accessories, call the KitchenAid Customer eXperience Center toll free at 1-800-422-1230 and follow the menu prompts. Or visit our website at www.KitchenAid.com and click on “Accessories.” Portable appliances, bakeware, cookware, gadgets and textiles are also available.

KitchenAid® Stainless Steel Cleaner and Polish

(stainless steel models)
Order Part Number 4396920

KitchenAid® Stainless Steel Wipes

(stainless steel models)
Order Part Number 8212510

Cooktop Cleaner

(porcelain or glass cooktop surfaces)
Order Part Number 31464

Cooktop Protectant

(porcelain or glass cooktop surfaces)
Order Part Number 31463

Cooktop Scraper

(ceramic glass models)
Order Part Number WA906B

Brick Pizza Stone

Order Part Number 4378577

In Canada

Call the KitchenAid Canada Customer eXperience Centre toll free: 1-800-807-6777.

Our consultants provide assistance with:

- Features and specifications on our full line of appliances.
- Use and maintenance procedures.
- Accessory and repair parts sales.
- Referrals to local dealers, repair parts distributors and service companies. KitchenAid Canada designated service technicians are trained to fulfill the product warranty and provide after-warranty service, anywhere in Canada.

For further assistance

If you need further assistance, you can write to KitchenAid Canada with any questions or concerns at:

Customer eXperience Centre
KitchenAid Canada
200 - 6750 Century Ave
Mississauga, Ontario L5N 0B7

Please include a daytime phone number in your correspondence.

KITCHENAID® GAS RANGE WARRANTY

LIMITED WARRANTY

For one year from the date of purchase, when this major appliance is operated and maintained according to instructions attached to or furnished with the product, KitchenAid brand of Whirlpool Corporation or Whirlpool Canada LP (hereafter "KitchenAid") will pay for Factory Specified Parts and repair labor to correct defects in materials or workmanship. Service must be provided by a KitchenAid designated service company. This limited warranty is valid only in the United States or Canada and applies only when the major appliance is used in the country in which it was purchased. Outside the 50 United States and Canada, this limited warranty does not apply. Proof of original purchase date is required to obtain service under this limited warranty.

SECOND THROUGH FIFTH YEAR LIMITED WARRANTY ON CERTAIN COMPONENT PARTS

In the second through fifth years from the date of purchase, when this appliance is operated and maintained according to instructions attached to or furnished with the product, KitchenAid will pay for Factory Specified Parts for the following components if defective in materials or workmanship:

- Any gas burner
- Solid state touch control system parts

ITEMS EXCLUDED FROM WARRANTY

This limited warranty does not cover:

1. Service calls to correct the installation of your major appliance, to instruct you on how to use your major appliance, to replace or repair house fuses, or to correct house wiring or plumbing.
2. Service calls to repair or replace appliance light bulbs, air filters or water filters. Consumable parts are excluded from warranty coverage.
3. Repairs when your major appliance is used for other than normal, single-family household use or when it is used in a manner that is contrary to published user or operator instructions and/or installation instructions.
4. Damage resulting from accident, alteration, misuse, abuse, fire, flood, acts of God, improper installation, installation not in accordance with electrical or plumbing codes, or use of consumables or cleaning products not approved by KitchenAid.
5. Cosmetic damage, including scratches, dents, chips or other damage to the finish of your major appliance, unless such damage results from defects in materials or workmanship and is reported to KitchenAid within 30 days from the date of purchase.
6. Costs associated with the removal from your home of your major appliance for repairs. This major appliance is designed to be repaired in the home and only in-home service is covered by this warranty.
7. Repairs to parts or systems resulting from unauthorized modifications made to the appliance.
8. Expenses for travel and transportation for product service if your major appliance is located in a remote area where service by an authorized KitchenAid servicer is not available.
9. The removal and reinstallation of your major appliance if it is installed in an inaccessible location or is not installed in accordance with published installation instructions.
10. Major appliances with original model/serial numbers that have been removed, altered or cannot be easily determined. This warranty is void if the factory applied serial number has been altered or removed from your major appliance.

The cost of repair or replacement under these excluded circumstances shall be borne by the customer.

DISCLAIMER OF IMPLIED WARRANTIES; LIMITATION OF REMEDIES

CUSTOMER'S SOLE AND EXCLUSIVE REMEDY UNDER THIS LIMITED WARRANTY SHALL BE PRODUCT REPAIR AS PROVIDED HEREIN. IMPLIED WARRANTIES, INCLUDING WARRANTIES OF MERCHANTABILITY OR FITNESS FOR A PARTICULAR PURPOSE, ARE LIMITED TO ONE YEAR OR THE SHORTEST PERIOD ALLOWED BY LAW. KITCHENAID SHALL NOT BE LIABLE FOR INCIDENTAL OR CONSEQUENTIAL DAMAGES. SOME STATES AND PROVINCES DO NOT ALLOW THE EXCLUSION OR LIMITATION OF INCIDENTAL OR CONSEQUENTIAL DAMAGES, OR LIMITATIONS ON THE DURATION OF IMPLIED WARRANTIES OF MERCHANTABILITY OR FITNESS, SO THESE EXCLUSIONS OR LIMITATIONS MAY NOT APPLY TO YOU. THIS WARRANTY GIVES YOU SPECIFIC LEGAL RIGHTS, AND YOU MAY ALSO HAVE OTHER RIGHTS WHICH VARY FROM STATE TO STATE OR PROVINCE TO PROVINCE.

If outside the 50 United States and Canada, contact your authorized KitchenAid dealer to determine if another warranty applies.

If you need service, first see the "Troubleshooting" section of the Use & Care Guide. After checking "Troubleshooting," you may find additional help by checking the "Assistance or Service" section or by calling KitchenAid. In the U.S.A., call **1-800-422-1230**. In Canada, call **1-800-807-6777**.

KitchenAid®

GAS RANGE ARCHITECT® SERIES II

Use & Care Guide

For questions about features, operation/performance, parts, accessories or service, call: 1-800-422-1230
or visit our website at www.kitchenaid.com

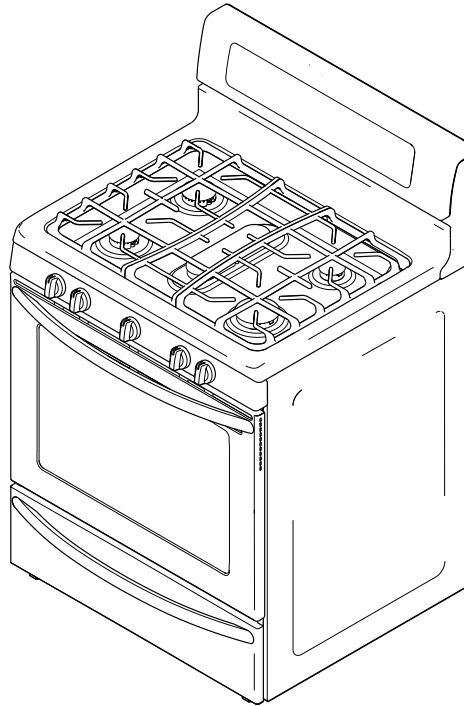
In Canada, call for assistance, installation and service, call: 1-800-807-6777
or visit our website at www.KitchenAid.ca

CUISINIÈRE À GAZ ARCHITECT® SÉRIE II

Guide d'utilisation et d'entretien

Au Canada, pour assistance, installation ou service composez le 1-800-807-6777 ou visitez notre site web à...
www.KitchenAid.ca

Table of Contents/Table des matières.....2



Models/Modèles KGRS308X

W10336759A

316902705

Table des matières

Emplacement du numéro de série et enregistrement du produit.....	2	Réglage du temps de cuisson	16
Mesures de sécurité importantes	3-6	Réglage de la mise en marche différée	16
Avant l'utilisation du four	7	Gril	17
Retrait, remise en place et disposition des grilles	7-8	Cuisson à convection	18
Avant l'utilisation des commandes des brûleurs de surface ...	9	Rôtissage à convection	18
Utilisation d'ustensiles appropriés	9	Fonction de cuisson des viandes et des produits de boulangerie EasyConvect ^{MC} (certains modèles)	19
Type de matériau des ustensiles	9	Sonde thermique	19-20
Réglage des commandes des brûleurs de surface	10	Ajustement de la température du four	21
Entretien et conditionnement de la plaque chauffante	11	Utilisation de l'éclairage du four	21
Mise en conserve	11	Rétablir les réglages par défaut	21
Fonctions des commandes du four	12	Réglage des commandes du four en mode sabbat	22
Réglage des commandes du four	13-20	Commandes du tiroir chauffant	23-25
Réglage de l'horloge	13	Autonettoyage	26-27
Réglage de la minuterie	13	Entretien et nettoyage	28-31
Passer de la fonction de cuisson au four continue à la fonction d'économie d'énergie 12 heures	13	Recommandations de nettoyage	28
Réglage du mode de commande silencieux ou sonore	14	Nettoyage de la table de cuisson et des brûleurs de surface ..	29
Modification de l'affichage de la température du four (°F ou °C)	14	Précaution concernant l'utilisation de l'aluminium	30
Réglage du verrouillage des commandes	14	Remplacement de l'ampoule du four	30
Réglage des commandes du four	15-22	Retrait et remise en place de la porte du four	31
Réglage de la cuisson au four	15	Avant de faire appel au service après-vente - Solutions aux problèmes courants	32-34
Fermentation du pain	15	Assistance ou service après-vente	35
		Garantie sur les appareils	dernière de couverture

Enregistrement du produit

Notez ci-dessous la date d'achat, les numéros de modèle et de série de votre produit. Vous trouverez les numéros de modèle et de série inscrite sur la plaque signalétique. Reportez-vous au bas de cette page pour connaître l'emplacement du numéro de série.

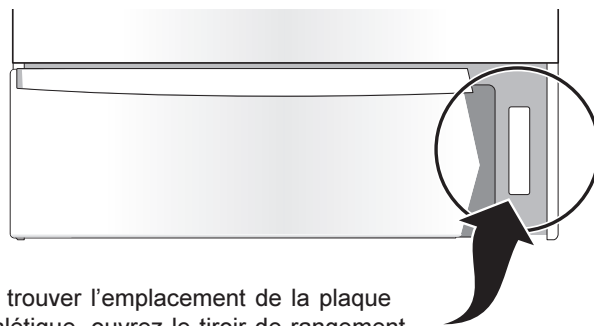
N° de modèle _____

N° de série _____

Date d'achat _____

Conservez le reçu pour vous y reporter ultérieurement.

Emplacement du numéro de série



Pour trouver l'emplacement de la plaque signalétique, ouvrez le tiroir de rangement (certains modèles) ou le tiroir chauffant (certains modèles). Cette plaque est fixée sur la partie inférieure droite du cadre du four.

Mesures de sécurité importantes

Lisez toutes les instructions avant d'utiliser cet appareil.

Ce guide contient des symboles et des renseignements importants concernant la sécurité. Veuillez porter une attention particulière à ces symboles et respecter toutes les directives.

Définitions

⚠ Voici le symbole d'avertissement concernant la sécurité. Il est utilisé pour vous avertir des risques de blessures potentiels. Respectez toutes les mesures de sécurité qui accompagnent ce symbole afin de prévenir les blessures ou d'éviter la mort.

Ne tentez pas d'installer ou d'utiliser votre appareil avant d'avoir lu les mesures de sécurité décrites dans ce guide. Les mesures de sécurité présentées dans ce guide sont identifiées par le mot AVERTISSEMENT ou ATTENTION selon le type de risque.

⚠ AVERTISSEMENT - indique une situation potentiellement dangereuse qui, si elle n'est pas évitée, peut entraîner des blessures graves, voire la mort.

⚠ ATTENTION - indique une situation potentiellement dangereuse qui, si elle n'est pas évitée, pourrait causer des blessures mineures ou modérées.

- Enlevez tout le ruban adhésif et le matériel d'emballage avant d'utiliser la cuisinière. Détruisez le cartonnage et les sacs en plastique après avoir déballé l'appareil. Ne laissez jamais les enfants jouer avec le matériel d'emballage.
- Installation adéquate : assurez-vous que l'appareil est correctement installé et mis à la terre par un technicien qualifié, conformément à la dernière édition du National Fuel Gas Code ANSI Z223.1 aux États-Unis ou aux normes CAN/ACG B149.1 et CAN/ACG B149.2 au Canada, et conformément à la dernière édition du National Electrical Code ANSI/NFPA N° 70 aux États-Unis ou à la norme C22.1 de la CSA, Code canadien de l'électricité, partie 1, au Canada, ainsi qu'aux codes locaux. N'installez la cuisinière que selon les instructions d'installation fournies avec l'appareil. Demandez à votre marchand de vous recommander un technicien qualifié ainsi qu'un centre de réparation autorisé. En cas d'urgence, sachez comment couper l'alimentation électrique de la cuisinière à la boîte de fusibles ou au disjoncteur.
- Entretien par l'utilisateur : ne réparez pas et ne remplacez pas des pièces de l'appareil à moins d'une recommandation précise fournie dans ce guide. Afin de réduire les risques de blessures et pour éviter d'endommager l'appareil, toutes les réparations doivent être faites par un technicien qualifié.
- Demandez à votre marchand de vous recommander un technicien qualifié ainsi qu'un centre de réparation autorisé. En cas d'urgence, sachez comment couper l'alimentation électrique de la cuisinière à la boîte de fusibles ou au disjoncteur.

⚠ AVERTISSEMENT Si les directives contenues dans ce guide ne sont pas suivies à la lettre, un feu ou une explosion pourrait se produire et entraîner des dommages matériels, des blessures, voire la mort.

POUR VOTRE SÉCURITÉ :

- Vous ne devez ni entreposer, ni utiliser d'essence ou d'autres vapeurs ou liquides inflammables à proximité de cet appareil ou de tout autre appareil électroménager.
- QUE FAIRE SI VOUS DÉTECTEZ UNE ODEUR DE GAZ :
 - Ne mettez pas d'appareil en marche.
 - Ne touchez à aucun commutateur électrique; n'utilisez aucun téléphone de votre domicile.
 - En utilisant le téléphone d'un voisin, appelez immédiatement le fournisseur de gaz. Suivez les directives données par votre fournisseur de gaz.
 - Si vous ne pouvez joindre votre fournisseur de gaz, appelez les pompiers.
- L'installation et l'entretien de cet appareil doivent être effectués par un installateur qualifié, un technicien de service ou le fournisseur de gaz.

⚠ AVERTISSEMENT

- Toutes les cuisinières peuvent se renverser.
- Le renversement de la cuisinière peut causer des blessures.
- Installez le dispositif anti-renversement inclus avec cette cuisinière.
- Reportez-vous aux instructions d'installation.



Afin de réduire les risques de renversement, la cuisinière doit être fixée par le support anti-renversement fourni avec la cuisinière. Ce dernier doit être installé correctement. Pour vous assurer que le support est installé correctement, vérifiez que le pied de mise à niveau arrière est inséré et fixé solidement dans le support anti-renversement en enlevant le panneau inférieur ou le tiroir de rangement de la cuisinière.



Dans le cas des modèles comportant un tiroir chauffant ou un four inférieur, agrippez le bord supérieur arrière de la cuisinière et essayez de la pencher doucement vers l'avant. Reportez-vous aux instructions d'installation pour installer correctement le support anti-renversement.

- Ne modifiez jamais la cuisinière, que ce soit en enlevant les pieds de mise à niveau, les panneaux, les protège-fils, les supports ou les vis anti-renversement, ou toute autre pièce de la cuisinière.
- Enlevez la porte du four si vous rangez ou mettez la cuisinière au rebut.

Conservez ces instructions pour vous y reporter ultérieurement.

Mesures de sécurité importantes

Les rideaux d'air ou les hottes de cuisinières en hauteur, qui projettent de l'air vers la cuisinière en contrebas, ne doivent pas être utilisés avec des cuisinières à gaz, sauf si la hotte et la cuisinière ont été conçues, testées et répertoriées par un laboratoire d'essais indépendant pour pouvoir fonctionner conjointement.

Pour modèles à allumage électrique seulement : N'essayez pas de faire fonctionner la cuisinière lors d'une panne de courant. En cas de panne, éteignez toujours la cuisinière. Si la cuisinière n'est pas éteinte et que le courant se rétablit, le four se mettra à fonctionner de nouveau. Une fois le courant rétabli, reprogrammez l'horloge et les fonctions du four.

⚠ AVERTISSEMENT N'UTILISEZ JAMAIS cet appareil comme radiateur indépendant pour chauffer la pièce. Le non-respect de cette directive peut causer une intoxication par MONOXYDE DE CARBONE.

⚠ AVERTISSEMENT NE RECOUVREZ JAMAIS les fentes, les trous ni les passages d'air au bas du four et ne recouvrez jamais une grille dans sa totalité avec du papier d'aluminium. Vous bloqueriez la circulation de l'air autour du four, ce qui pourrait entraîner une intoxication par MONOXYDE DE CARBONE. Le papier d'aluminium peut retenir la chaleur et présenter un risque d'incendie.

⚠ AVERTISSEMENT S'appuyer sur la cuisinière ou s'asseoir sur ses portes ou tiroirs pourrait entraîner des blessures graves et endommager l'appareil. NE LAISSEZ PAS les enfants grimper sur la cuisinière ni jouer autour de celle-ci. Le poids d'un enfant sur une porte de four ouverte peut suffire à faire renverser la cuisinière et ainsi entraîner de graves brûlures ou d'autres blessures.

⚠ AVERTISSEMENT Rangement à l'intérieur de l'appareil ou sur l'appareil : les articles inflammables ne doivent pas être rangés dans le four, près des brûleurs de surface, dans le tiroir chauffant ou dans le four intérieur. Cela inclut les articles en papier, en plastique et en tissu (p. ex. les livres de cuisine, les objets en plastique et les chiffons), ainsi que tout liquide inflammable. Ne rangez pas de produits explosifs comme des bombes aérosol sur la cuisinière ou près de celle-ci.

⚠ AVERTISSEMENT NE LAISSEZ PAS LES ENFANTS SEULS : les enfants ne devraient jamais être laissés seuls ou sans surveillance lorsque l'appareil fonctionne. Ne les laissez jamais s'asseoir ou se tenir debout sur une partie quelconque de l'appareil, notamment le tiroir de rangement, le tiroir-grill inférieur, le tiroir chauffant ou le four double inférieur.

⚠ ATTENTION Ne rangez pas d'objets pouvant intéresser les enfants dans les armoires situées au-dessus de la cuisinière ou sur son dossier. En voulant atteindre ces articles, les enfants risqueraient de se blesser gravement.

⚠ ATTENTION NE LAISSEZ PAS un enfant en bas âge sans surveillance près de l'appareil. L'extérieur de la cuisinière peut devenir très chaud au toucher et provoquer des brûlures.

⚠ ATTENTION Ne tentez pas d'éteindre les feux de friture avec de l'eau ni de la farine : étouffez les feux avec un couvercle ou du bicarbonate de soude, ou encore avec un extincteur à poudre sèche ou à mousse.

⚠ ATTENTION Lorsque vous faites chauffer de l'huile ou de la graisse, restez près de la cuisinière. La graisse ou l'huile peuvent prendre feu si elles deviennent trop chaudes.

⚠ ATTENTION N'utilisez que des maniques sèches : des maniques mouillées ou humides en contact avec des surfaces chaudes peuvent causer des brûlures par la vapeur. Ne laissez pas les maniques venir en contact avec les éléments chauffants. Ne vous servez pas d'un chiffon ni d'un linge épais à la place d'une manique.

⚠ ATTENTION Ne chauffez pas de contenants fermés : l'augmentation de la pression pourrait faire exploser le contenant et causer des blessures.

INSTRUCTIONS IMPORTANTES CONCERNANT L'UTILISATION DU FOUR

⚠ ATTENTION Revêtements protecteurs : N'UTILISEZ PAS de papier d'aluminium pour recouvrir la sole du four. N'utilisez le papier d'aluminium que selon les recommandations données dans ce guide. Une mauvaise installation de ces revêtements peut entraîner un risque de choc électrique ou d'incendie.

- **Faites preuve de prudence lorsque vous ouvrez la porte du four, la porte du four inférieur ou le tiroir chauffant :** tenez-vous sur le côté de la cuisinière lorsque vous ouvrez la porte du four et que ce dernier est chaud. Laissez l'air chaud ou la vapeur s'échapper du four avant d'en retirer ou d'y placer des aliments.
- **Ne bloquez pas les conduits de ventilation du four.** L'évent est situé sous le dossier. Si vous touchez les surfaces de cette zone lorsque le four fonctionne, vous risquez de vous brûler gravement. Ne placez pas d'articles en plastique ni d'articles sensibles à la chaleur sur l'évent du four ou à proximité de ce dernier. Ces articles pourraient fondre ou s'enflammer.
- **Installation des grilles de four.** Disposez toujours les grilles à l'emplacement désiré lorsque le four est froid. Faites preuve d'une extrême prudence si vous devez déplacer une grille lorsque le four est chaud. Utilisez des maniques et tenez la grille fermement avec les deux mains pour la remettre en place. Ne laissez pas les maniques entrer en contact avec les éléments chauffants du four lorsque ceux-ci sont chauds. Retirez tous les ustensiles qui se trouvent sur la grille avant de l'enlever.
- **Ne vous servez pas de la lèchefrite sans sa grille :** la lèchefrite et sa grille permettent à la graisse de s'écouler et de rester à l'écart de la forte chaleur.
- **Ne recouvrez pas la grille de la lèchefrite de papier d'aluminium.** La graisse ainsi exposée pourrait prendre feu.

Conservez ces instructions pour vous y reporter ultérieurement.

Mesures de sécurité importantes

Avis de sécurité important

En vertu de la loi sur l'eau potable et les produits toxiques « Safe Drinking Water and Toxic Enforcement Act », la Californie publie une liste des substances chimiques reconnues par l'État comme pouvant causer le cancer ou perturber les fonctions normales de reproduction. Les fabricants sont tenus d'ajouter des avertissements sur les étiquettes de leurs produits si ces derniers contiennent l'une ou l'autre des substances chimiques figurant sur la liste.

INSTRUCTIONS IMPORTANTES CONCERNANT L'UTILISATION DE LA TABLE DE CUISSON

⚠ AVERTISSEMENT **Bonne dimension de la flamme** : réglez la flamme pour qu'elle ne dépasse pas du bord de l'ustensile. Si vous utilisez des ustensiles de dimension insuffisante, une partie de la flamme du brûleur sera à découvert et pourrait enflammer les vêtements qui entrent en contact avec la flamme. Un bon contact entre l'ustensile et la flamme améliore aussi l'efficacité du brûleur.

- **Connaissez le bouton correspondant à chaque brûleur de surface.** Placez un ustensile contenant de la nourriture sur le brûleur avant de le mettre en marche et éteignez le brûleur avant d'enlever l'ustensile.
- **Tournez toujours le bouton à la position LITE (allumage) pour allumer les brûleurs de surface.** Vérifiez que le brûleur s'est allumé. Réglez ensuite la flamme pour qu'elle ne dépasse pas du bord de l'ustensile.
- **Tournez toujours les ustensiles pour que les poignées se trouvent vers l'intérieur et non au-dessus d'autres brûleurs de surface** : pour réduire les risques de brûlure, d'inflammation de matériaux et de renversement causés par le contact accidentel avec l'ustensile, la poignée des ustensiles doit être placée vers l'intérieur et non au-dessus des autres brûleurs de surface.
- **Ne laissez jamais les brûleurs de surface sans surveillance à des réglages élevés** : les débordements peuvent causer de la fumée, la graisse peut s'enflammer ou une casserole laissée vide peut fondre.
- **Ustensiles émaillés** : en raison des brusques changements de température, seuls certains types d'ustensiles en verre, en vitrocéramique, en céramique, en terre cuite ou d'autres ustensiles émaillés peuvent être utilisés avec la table de cuisson sans risquer qu'ils se fendent. Vérifiez les recommandations du fabricant quant à leur utilisation sur une table de cuisson.
- **Pour flamber des aliments sous une hotte, mettez le ventilateur en marche.**

INSTRUCTIONS IMPORTANTES POUR LES FOURS AUTONETTOYANTS

- **Nettoyez seulement au cycle d'autonettoyage les pièces indiquées dans ce guide.** Avant de procéder à l'autonettoyage du four, retirez les grilles de four, la lèchefrite et sa grille, ainsi que tout ustensile ou aliment du four.
- **N'utilisez pas de produits de nettoyage pour fours** : aucun produit de nettoyage commercial ni aucun revêtement protecteur ne doivent être utilisés dans le four ou sur l'une de ses pièces.
- **Ne nettoyez pas le joint de la porte** : le joint de la porte est essentiel à une bonne étanchéité. Ne frottez pas le joint, ne l'endommagez pas et ne le déplacez pas.
- Certains oiseaux sont extrêmement sensibles aux fumées dégagées pendant l'autonettoyage d'une cuisinière. Déplacez les oiseaux dans une pièce bien ventilée.

INSTRUCTIONS DE NETTOYAGE IMPORTANTES

⚠ ATTENTION Avant de nettoyer une partie de votre cuisinière à la main, assurez-vous que toutes les commandes sont ÉTEINTES et que la cuisinière a REFROIDI. **La cuisinière peut être encore chaude** et vous pourriez vous brûler.

- **Nettoyez régulièrement votre cuisinière pour enlever la graisse sur toutes ses pièces, car cette graisse risque de prendre feu.** Faites particulièrement attention à la zone se trouvant à proximité des brûleurs de surface. Ne laissez pas la graisse s'y accumuler.
- **Nettoyants/aérosols : suivez toujours les recommandations du fabricant, quant à leur utilisation.** N'oubliez pas que les résidus de produits de nettoyage et d'aérosols risquent de s'enflammer et d'entraîner des dommages et/ou des blessures.
- **Nettoyez fréquemment les hottes de ventilation : ne laissez pas la graisse s'accumuler sur la hotte ni sur son filtre.** Suivez les instructions du fabricant de la hotte pour le nettoyage de cette dernière.

Conservez ces instructions pour vous y reporter ultérieurement.

Mesures de sécurité importantes

Instructions de mise à la terre

⚠ AVERTISSEMENT Évitez tout risque d'incendie ou de choc électrique. **N'UTILISEZ PAS** de rallonge électrique ou de fiche d'adaptation, et **n'enlevez pas la broche de mise à la terre du cordon d'alimentation. Le non-respect de cet avertissement peut entraîner des blessures graves, un incendie ou la mort.**

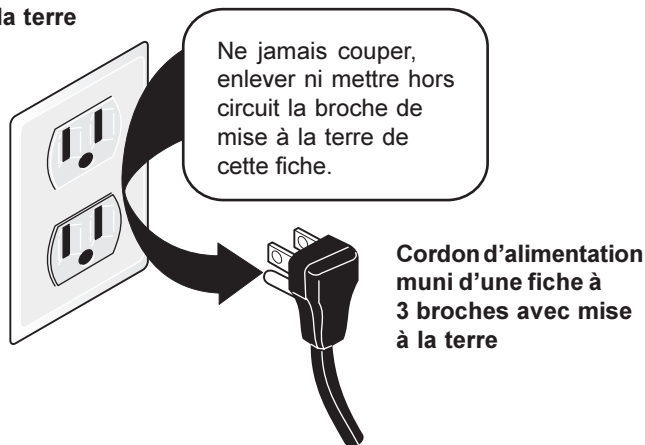
Cet appareil est muni d'une fiche à trois broches avec mise à la terre pour assurer votre protection contre les chocs électriques. Cette fiche doit être branchée directement dans une prise correctement mise à la terre. **N'ENLEVEZ PAS** la broche de mise à la terre de cette fiche.

Pour des raisons de sécurité, cette cuisinière doit être correctement mise à la terre. Pour un maximum de sécurité, cette cuisinière doit être correctement mise à la terre. La fiche doit être branchée dans une prise correctement polarisée et mise à la terre.

Si une prise murale à deux alvéoles est la seule prise à votre disposition, il vous revient de demander à un électricien qualifié de la remplacer par une prise murale à trois alvéoles correctement mise à la terre.

Reportez-vous aux INSTRUCTIONS D'INSTALLATION fournies avec cette cuisinière pour trouver les renseignements sur l'installation et la mise à la terre.

Prise murale avec mise à la terre



Conversion au GPL

⚠ AVERTISSEMENT Pour éviter les blessures ou même la mort causées par un choc électrique, l'installation de la cuisinière doit être effectuée par un installateur ou un électricien qualifié.

⚠ AVERTISSEMENT Les ajouts, changements ou conversions requis doivent être faits par un technicien qualifié afin de répondre de façon satisfaisante aux exigences d'utilisation.

Cet appareil est conçu pour permettre la conversion au gaz de pétrole liquéfié (GPL).

Si une conversion au GPL est nécessaire, communiquez avec votre fournisseur de GPL pour obtenir de l'aide. Le nécessaire de conversion au GPL est fourni avec cet appareil. Il est situé sur le panneau inférieur gauche ARRIÈRE de l'appareil. Avant l'installation du nécessaire de conversion au GPL, assurez-vous de lire attentivement et de bien comprendre les instructions d'installation. Lors de l'installation, suivez ces instructions à la lettre.

Conservez ces instructions pour vous y reporter ultérieurement.

Avant l'utilisation du four

Emplacement de l'évent du four

L'évent du four est situé sous le panneau de commande (fig. 1). Lorsque le four fonctionne, l'air chaud s'échappe par l'évent. Cette ventilation est nécessaire pour assurer une bonne circulation d'air et de bons résultats de cuisson. **Ne bloquez pas l'évent du four.**

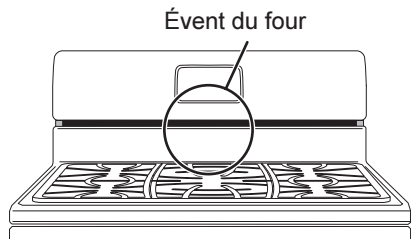


Fig. 1

Retrait, remise en place et disposition des grilles

ATTENTION Servez-vous toujours de maniques ou de gants isolants pour utiliser les grilles de four. Lors de la cuisson, l'intérieur et l'extérieur du four, ainsi que les grilles du four et la surface de cuisson deviennent très chauds, ce qui pourrait causer des brûlures.

ATTENTION NE RECOUVREZ PAS les parois, les grilles, la sole ni toute autre partie du four au moyen de papier d'aluminium. Cela nuit à la répartition de la chaleur et il en résulterait de mauvais résultats de cuisson avec risque d'endommager de façon permanente l'intérieur du four. Le papier d'aluminium fondra sur l'intérieur du four.

Pour disposer les grilles de four, veuillez le faire uniquement lorsque ce dernier est froid (ou avant de l'allumer).

Pour enlever une grille, tirez-la vers l'avant jusqu'à ce qu'elle bloque. Soulevez l'avant et sortez la grille.

Pour remettre la grille en place, appuyez-la sur les guides des deux parois latérales du four. Soulevez l'avant de la grille du four et poussez-la en place. Assurez-vous que les grilles du four sont de niveau avant toute utilisation.

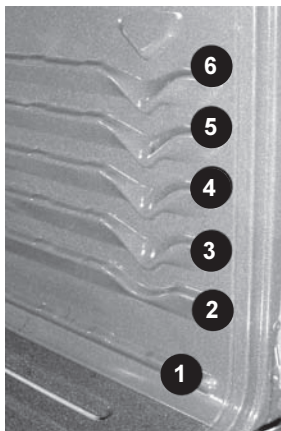


Fig. 2

Positions recommandées des grilles par type d'aliment :

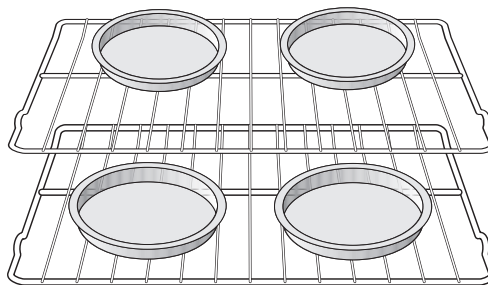
Type d'aliments	Position
Cuisson au grill	Reportez-vous à la section « Gril »
Biscuits, gâteaux, tartes, petits pains et muffins	3 ou 4
Tartes congelées, gâteau des anges, levure, pain et plats mijotés	2 ou 3
Petites coupes de viande ou de poulet	1 ou 2
Dinde, rôti ou jambon	1 ou 2

Cuisson d'un gâteau étagé sur 1 ou 2 grilles

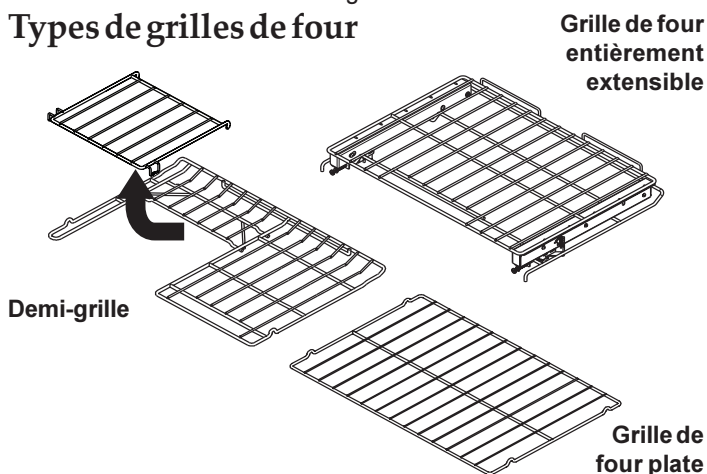
Pour de meilleurs résultats lorsque vous utilisez 2 grilles de four pour la cuisson de gâteaux ou de biscuits, placez les ustensiles à la position de grille 2 ou 5 si vous utilisez des grilles plates et à la position 2 ou 4 si vous utilisez des grilles à glissière. Pour de meilleurs résultats lorsque vous n'utilisez qu'une seule grille de four pour la cuisson de gâteaux ou de biscuits, placez les ustensiles à la position de grille 3 ou 4 si vous utilisez des grilles plates et à la position 2 ou 3 si vous utilisez des grilles à glissière (fig. 2).

Circulation d'air dans le four

Pour de meilleurs résultats lorsque vous utilisez 2 grilles de four pour la cuisson de gâteaux ou de biscuits, placez les ustensiles à la position de grille 2 ou 5 si vous utilisez des grilles plates et à la position 2 ou 4 si vous utilisez des grilles à glissière. Pour de meilleurs résultats lorsque vous n'utilisez qu'une seule grille de four pour la cuisson de gâteaux ou de biscuits, placez les ustensiles à la position de grille 3 ou 4 si vous utilisez des grilles plates et à la position 2 ou 3 si vous utilisez des grilles à glissière (fig. 2).



Types de grilles de four



La grille de four plate (certains modèles) ou la grille de four extensible (certains modèles) peut être utilisée pour la plupart de vos cuissons. La demi-grille (certains modèles) comprend une section amovible qui permet de placer des ustensiles de cuisson plus grands dans le four.

ATTENTION ENLEVEZ TOUTES LES GRILLES et accessoires du four avant de commencer un cycle d'autonettoyage. Si vous laissez les grilles dans le four pendant le cycle d'autonettoyage, la grille coulissera moins bien et le brillant de la finition des grilles du four ternira ou deviendra bleu. Enlevez toutes les grilles du four et nettoyez-les conformément aux instructions de la section Entretien et nettoyage du présent manuel.

Avant l'utilisation du four

Retrait et remise en place de la grille de four à glissière

Pour retirer la grille :

Avec vos deux pouces, appuyez sur les leviers de dégagement à ressort gauche et droit, puis tirez légèrement la grille vers vous (fig. 1). Relâchez les leviers, puis, en tenant la grille à glissière par le haut et le bas, tirez la grille directement vers vous jusqu'à sa position d'arrêt (fig. 2). De la position d'arrêt, soulevez légèrement le devant de la grille et continuez à la retirer du four (fig. 3). Assurez-vous de bien tenir les parties supérieure et inférieure de la grille lorsque vous la sortez du four ou que vous la manipulez à l'extérieur de ce dernier, car ces parties de la grille se déplacent indépendamment l'une de l'autre et sont difficiles à manipuler, à moins qu'elles ne soient tenues ensemble.

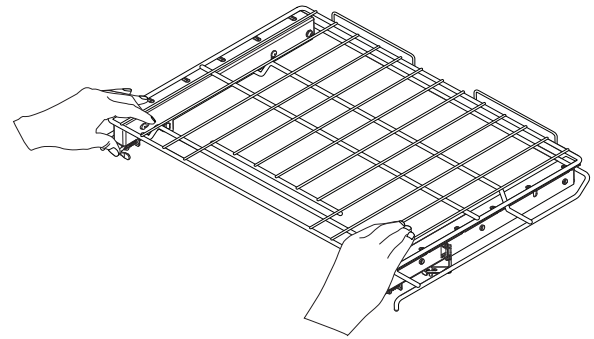


Fig. 1

Pour remettre en place les pièces des brûleurs :

Saisissez les parties supérieure et inférieure de la grille à glissière, soulevez la grille et placez-la de niveau entre les parois de la cavité du four. Inclinez l'avant de la grille légèrement vers le haut et faites-la glisser complètement en place. Il se peut que vous deviez exercer une certaine force pour vous assurer que la grille de four est bien enclenchée.

NE TENTEZ PAS de fermer la porte du four avant que toutes les grilles soient bien en place à l'intérieur du four. Assurez-vous que la grille de four à glissière entre en contact avec le capteur de grille vertical situé sur la paroi arrière gauche du four.

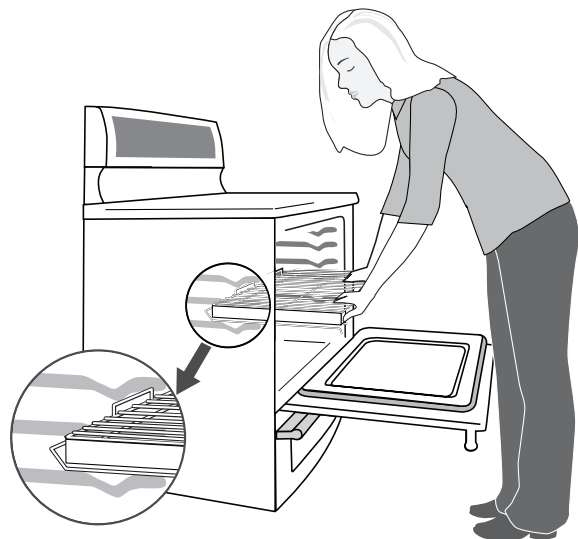


Fig. 2



Fig. 3

Avant l'utilisation des commandes des brûleurs de surface

Utilisation d'ustensiles appropriés

ATTENTION NE PLACEZ PAS d'articles inflammables

comme une salière ou une poivrière, un porte-cuillère ou des sacs d'emballage sur la surface de cuisson lorsque la cuisinière est en cours d'utilisation. Ces articles pourraient fondre ou s'enflammer. Les maniques, les serviettes ou les cuillères en bois peuvent prendre feu si elles sont placées trop près de la table de cuisson de la cuisinière.

Remarque importante :

NE LAISSEZ PAS de papier d'aluminium ou TOUT AUTRE matériau qui peut fondre, entrer en contact avec la table de cuisson de la cuisinière. S'ils fondent, ces articles peuvent endommager la table de cuisson.

Pour les meilleurs résultats de cuisson possible, les ustensiles doivent disposer d'un fond plat qui repose à plat sur la grille du brûleur.

Avant d'utiliser les ustensiles, vérifiez que leur fond est bien plat en y faisant tourner une règle (fig. 1).

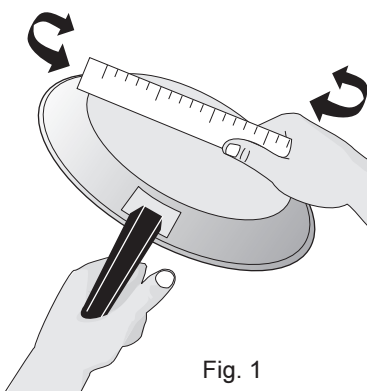


Fig. 1

La dimension et le type d'ustensiles utilisés ainsi que la quantité et le genre des aliments à cuire influencent le réglage des brûleurs nécessaire pour obtenir la meilleure cuisson.

Type de matériau des ustensiles

Les matériaux les plus utilisés sont :

Aluminium - Excellent conducteur de chaleur. Certains types d'aliments peuvent le faire noircir (les ustensiles d'aluminium anodisé résistent aux taches et à la corrosion).

Cuivre - Excellent conducteur de chaleur, mais se décolore facilement.

Acier inoxydable - Conducteur de chaleur lent qui donne des résultats de cuisson variables. Il est durable, facile à nettoyer et il résiste aux taches.

Fonte - Conducteur de chaleur lent mais très efficace pour retenir la chaleur. Cuit de façon uniforme une fois la température de cuisson atteinte.

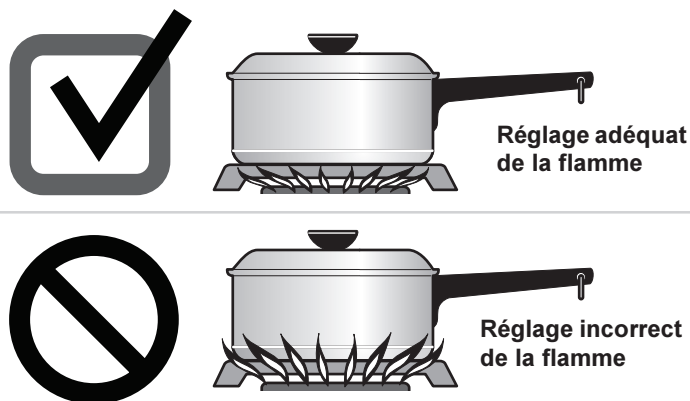
Émail vitrifié sur métal - Les caractéristiques de chauffage varient selon le matériau de base.

Verre - Conducteur de chaleur lent.

Réglage de la flamme à une dimension appropriée

ATTENTION Ne laissez jamais la flamme dépasser du bord extérieur de l'ustensile. Une flamme plus haute gaspille l'énergie et augmente les risques de brûlure.

La couleur de la flamme est la clé d'un bon réglage. Une flamme bien réglée est transparente, bleue et à peine visible dans une pièce bien éclairée. Chaque cône de la flamme doit être uniforme et précis. Réglez ou nettoyez le brûleur si la flamme est jaune orangé.



Pour presque tous les types de cuisson, commencez par le réglage le plus élevé, puis choisissez un réglage plus faible pour terminer la cuisson. Suivez les recommandations ci-dessous pour déterminer la dimension de la flamme correspondant aux différents types de cuisson (fig. 2).

Pour la grande friture, servez-vous d'un thermomètre et réglez le bouton de commande en conséquence. Si l'huile est trop froide, les aliments l'absorberont et seront gras. Si l'huile est trop chaude, la nourriture rissolera si rapidement que le centre ne cuira pas. N'essayez pas de cuire à grande friture une trop grande quantité d'aliments à la fois. Ils risquent de ne pas rissoler ou de ne pas cuire correctement.

Dimension de la flamme*	Type de cuisson
Flamme haute	Sert à commencer la majorité des recettes, à amener l'eau à ébullition et à faire griller à la poêle.
Flamme moyenne	Pour maintenir une ébullition lente, épaissir les sauces, cuire à la vapeur.
Flamme basse	Sert à faire mijoter, à pocher et à poursuivre la cuisson.

Fig. 2

*Ces réglages sont basés sur l'utilisation de casseroles en aluminium ou en métal de poids moyen avec couvercle. Ces réglages peuvent varier selon le type de matériau de l'ustensile utilisé.

Réglage des commandes des brûleurs de surface

Réglage des brûleurs de surface

ATTENTION Ne placez pas d'articles inflammables comme une salière ou une poivrière, un porte-cuillère ou des sacs d'emballage sur la surface de cuisson lorsque la cuisinière est en cours d'utilisation. Ces articles pourraient fondre ou s'enflammer. Les maniques, les serviettes ou les cuillères en bois peuvent prendre feu si elles sont placées trop près de la table de cuisson de la cuisinière.

ATTENTION Ne laissez pas le papier d'aluminium, ou TOUT AUTRE matériau qui peut fondre, entrer en contact avec la table de cuisson de la cuisinière. S'ils fondent, ces articles peuvent endommager la surface de cuisson de façon permanente.

Votre cuisinière à gaz peut être munie de brûleurs de surface de différentes tailles. La capacité du brûleur à chauffer les aliments plus rapidement et en plus grands volumes est proportionnelle à sa taille. Choisissez toujours l'ustensile qui convient le mieux à la quantité et au type d'aliment à préparer.

Le petit brûleur de mijotage (certains modèles) est idéal pour le mijotage des sauces délicates, etc.

Les brûleurs de dimensions standards peuvent être utilisés pour la plupart des types de cuisson. Certains modèles sont munis d'un brûleur central.

Les grands brûleurs puissants (certains modèles) ou Ultra Power™ sont recommandés pour chauffer de grandes quantités de liquide et la préparation de grandes quantités de nourriture.

Pour régler les brûleurs de surface :

1. Placez l'ustensile au centre de la grille du brûleur de surface. Assurez-vous que l'ustensile est bien stable sur la grille du brûleur.
2. Appuyez sur le bouton de commande du brûleur de surface désiré et tournez-le vers la gauche pour le dégager de la position **OFF** (arrêt; fig. 1).
3. Relâchez le bouton et tournez-le à la position **LITE** (allumage). Vérifiez si le brûleur est allumé.
4. Une fois le brûleur allumé, enfoncez le bouton de commande et tournez-le vers la gauche pour ajuster la dimension de la flamme. Servez-vous des marques du bouton de commande et réglez la flamme au besoin.

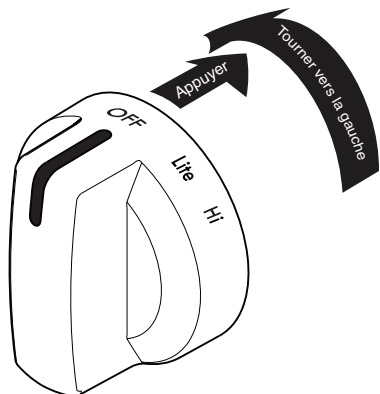


Fig. 1

Remarques importantes :

- **NE FAITES PAS CUIRE** d'aliments lorsque le bouton de commande du brûleur est laissé à la position **LITE** (allumage). L'allumeur électronique continue de produire une étincelle si le bouton de commande est laissé à cette position.
- Lorsque vous placez le bouton de commande de l'un des brûleurs en position **LITE** (allumage), tous les allumeurs électroniques produisent une étincelle en même temps. Cependant, seul le brûleur de surface qui a été réglé s'allume.
- **NE PLACEZ JAMAIS** un ustensile de cuisson sur deux surfaces de cuisson en même temps. Cela peut entraîner une cuisson non uniforme.
- En cas de panne de courant, les brûleurs peuvent s'allumer à la main. Soyez prudent lorsque vous allumez manuellement les brûleurs de surface. Pour allumer un brûleur manuellement, tenez une allumette allumée au-dessus de la tête du brûleur, puis tournez lentement la commande sur **LITE** (allumage). Après l'allumage du brûleur, enfoncez et tournez le bouton pour l'amener à la position désirée.

Réglage des commandes des brûleurs de surface

Entretien et conditionnement de la plaque chauffante

Avant la première utilisation :

1. Lavez la plaque chauffante à l'eau chaude savonneuse. Rincez-la et séchez-la complètement.
2. Appliquez une fine couche d'huile végétale sur toute la surface (avant et arrière de la plaque chauffante).
3. Préchauffez le four à 177 °C (350 °F). Placez la plaque chauffante sur la grille supérieure de votre four.
4. Faites cuire la plaque chauffante pendant une heure à 177 °C (350 °F), puis ÉTEIGNEZ le four et laissez la plaque refroidir avant de la retirer.
5. La surface peut sembler collante à cause du procédé de conditionnement. Si vous le désirez, lavez la plaque chauffante dans de l'eau chaude savonneuse, rincez bien puis séchez complètement.

Utilisation de la plaque chauffante :

1. Retirez la grille du brûleur central et remplacez-la délicatement par la plaque chauffante (certains modèles).
2. Préchauffez la plaque pendant 5 minutes en choisissant un réglage allant de **moyen** à **moyen-doux**. Un préchauffage lent assure une répartition égale de la chaleur durant la cuisson. NE PRÉCHAUFFEZ PAS la plaque chauffante à feu élevé (HI). Le préchauffage à feu élevé peut faire gauchir la plaque et empêcher la répartition égale de la chaleur.

Après chaque utilisation :

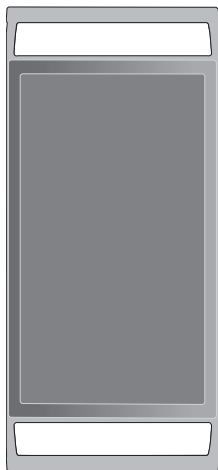
NE LAVEZ PAS LA PLAQUE CHAUFFANTE DANS LE LAVE-VAISSELLE.

1. Nettoyez la plaque avec une brosse dure et de l'eau chaude seulement.
2. Séchez la plaque chauffante immédiatement et appliquez-y une mince couche d'huile végétale avant de la ranger.
3. Pour prévenir l'apparition de rouille, rangez la plaque dans un endroit sec sans la couvrir.

Mise en conserve

Assurez-vous de lire et de respecter les points suivants lorsque vous effectuez des mises en conserve avec votre cuisinière. Informez-vous sur le site Web de l'USDA (United States Department of Agriculture) en vous assurant de lire toutes les informations disponibles et de suivre les recommandations qu'on y trouve pour la mise en conserve.

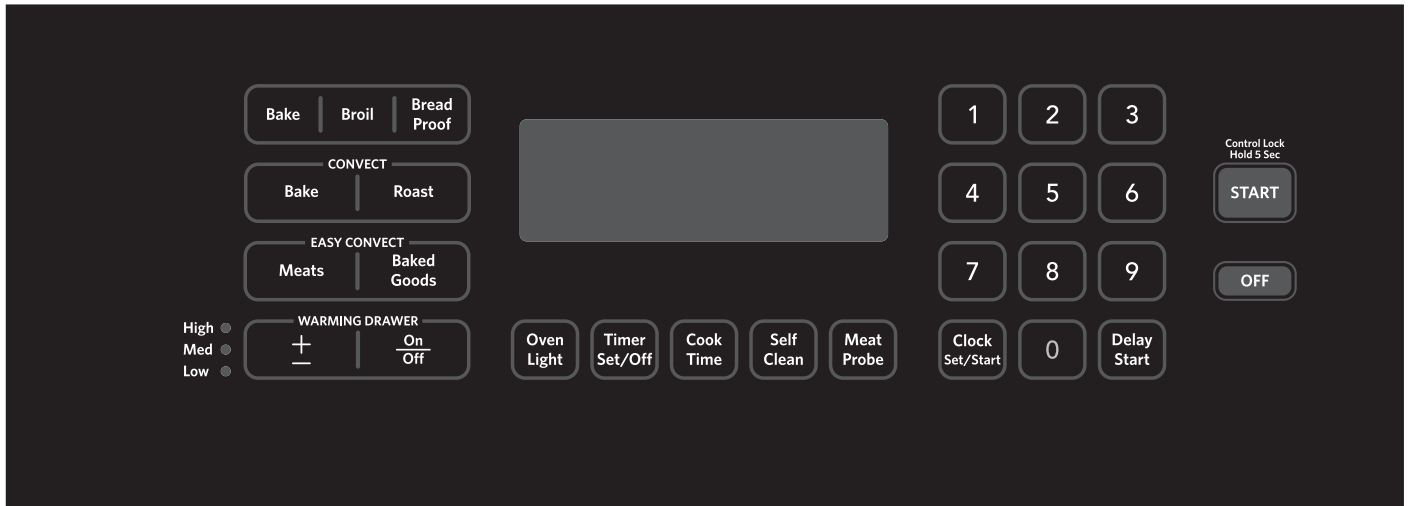
- N'utilisez que des marmites à fond plat de qualité pour la mise en conserve. Utilisez une règle droite pour vérifier le fond de la marmite.
- N'utilisez qu'une marmite au fond parfaitement plat.
- Assurez-vous que le diamètre de la marmite ne dépasse pas les motifs circulaires de l'élément ou du brûleur de surface de 2,5 cm (1 po) au plus.
- Utilisez l'eau chaude du robinet pour amener l'eau à ébullition plus rapidement.
- Lorsque vous commencez à faire bouillir de l'eau, utilisez d'abord le réglage de température le plus élevé. Une fois l'eau à ébullition, réduisez la chaleur au réglage le plus bas pour maintenir l'ébullition.



Plaque chauffante
Fig. 1

Fonctions des commandes du four

Pour utiliser votre four de façon optimale, familiarisez-vous avec les différentes fonctions des touches et caractéristiques du four décrites ci-dessous.



BAKE (cuisson au four)

Sert à entrer la fonction de cuisson au four normale.

BROIL (gril)

Sert à sélectionner diverses fonctions de cuisson au gril.

BREAD PROOF (fermentation du pain)

Permet de faire fermenter la pâte à pain.

CONVECT BAKE (cuisson à convection)

Sert à sélectionner la fonction de cuisson au four à convection.

CONVECT ROAST (rôtissage à convection)

(rôtissage à convection)

Sert à sélectionner la fonction de rôtissage à convection.

EASYCONVECT^{MC} MEATS (cuisson des viandes EasyConvection^{MC})

Sert à sélectionner la fonction de cuisson des viandes EasyConvection^{MC}.

EASYCONVECT^{MC} BAKED GOODS (cuisson des produits de boulangerie EasyConvection^{MC})

Sert à sélectionner la fonction de cuisson des produits de boulangerie EasyConvection^{MC}.

WARMING DRAWER (tiroir chauffant)

Permet d'ajuster la température du tiroir chauffant.

OVEN LIGHT (lampe du four)

Sert à ALLUMER ou à ÉTEINDRE la lampe du four.

TIME SET/OFF (minuterie marche/arrêt)

Sert à régler ou annuler la minuterie.

COOK TIME (temps de cuisson)

Sert à entrer la durée de temps nécessaire.

SELF CLEAN (autonettoyage)

Permet de sélectionner un programme d'autonettoyage de 2 à 4 heures.

MEAT PROBE (sonde thermique)

Sert à programmer la sonde thermique.

CLOCK SET/START (réglage/mise en marche de l'horloge)

(réglage/mise en marche de l'horloge)

Sert à régler l'heure.

Touches numériques 0 à 9

Permettent d'entrer la température et les durées.

DELAY START (mise en marche différée)

Utilisez cette fonction avec diverses fonctions du four pour programmer la mise en marche différée de la cuisson ou du cycle d'autonettoyage.

START (mise en marche)

Permet de mettre en marche l'ensemble des fonctions du four, sauf la lampe du four. Cette touche permet également d'activer et de désactiver le **verrouillage du four**.

OFF (arrêt)

Permet d'annuler tout mode de four précédemment entré, excepté pour l'horloge et la minuterie. Appuyez sur OFF (arrêt) pour arrêter la cuisson.

Réglages minimal et maximal des fonctions

Toutes les fonctions présentées possèdent un réglage minimal et maximal de durée et de température. Vous entendrez un bip de confirmation chaque fois que vous appuierez sur une touche (le bip de la touche de verrouillage du four est retardé de 5 secondes).

Un signal sonore d'erreur de programmation (3 bips courts) retentit si la température ou la durée entrée est inférieure au réglage minimal ou supérieure au réglage maximal de la fonction choisie.

Fonction	Temp./durée min.	Temp./durée max.
Bake (cuisson au four)	77 °C / 170 °F	288 °C / 550 °F
Broil (gril)	205 °C / 400 °F	288 °C / 550 °F
Timer (minuterie)	1 minute	11 h 59 min
Cook Time (temps de cuisson)	1 minute	11 h 59 min
Self Clean (autonettoyage)	2 heures	4 heures
Convection Bake (cuisson à convection)	149 °C / 300 °F	288 °C / 550 °F
Convection Roast (rôtissage à convection)	149 °C / 300 °F	288 °C / 550 °F
EasyConvection Meats (cuisson des viandes EasyConvection)	149 °C / 300 °F	288 °C / 550 °F
EasyConvection Baked Goods (cuisson des produits de boulangerie EasyConvection)	149 °C / 300 °F	288 °C / 550 °F
Delay Start 12 Hr (mise en marche différée 12 h)	1:00	12:59
Delay Start 24 Hr (mise en marche différée 24 h)	0:00	23:59

Réglage des commandes du four

Réglage de l'horloge

Lorsque vous brancherez votre appareil pour la première fois, « 12:00 » clignotera sur l'afficheur (fig. 1). L'horloge doit d'être mise à l'heure avant d'utiliser le four.



Fig. 1

Par exemple, pour régler l'horloge à 1 h 30 :

1. Appuyez sur la touche **CLOCK SET/START** (réglage/mise en marche de l'horloge).
2. Entrez **1 3 0** à l'aide des touches numériques.
3. Appuyez sur la touche **START** (mise en marche).

Remarque importante :

L'horloge ne peut pas être réglée lorsqu'une cuisson minutée ou une mise en marche différée est activée.

Réglage de la minuterie

La minuterie vous permet d'effectuer le suivi de votre temps de cuisson sans nuire au processus de cuisson. La minuterie peut être réglée pour toute durée comprise entre 1 minute et 11 heures 59 minutes.

Par exemple, pour régler la minuterie à 5 minutes :

1. Appuyez sur la touche **TIMER SET/OFF** (minuterie marche/arrêt).
2. Entrez **5** à l'aide du clavier numérique.
3. Appuyez sur **START** (mise en marche) pour partir la minuterie.

Pour désactiver la minuterie lorsqu'elle fonctionne, appuyez une nouvelle fois sur la touche **TIMER SET/OFF** (minuterie marche/arrêt).

Remarques importantes :

- La minuterie ne fait pas démarrer ni arrêter la cuisson. Elle sert de minuterie additionnelle dans la cuisine et émet un signal sonore lorsque la durée programmée s'est écoulée. La minuterie peut être utilisée de façon indépendante ou avec toute autre fonction du four.
- La minuterie affiche les heures et les minutes jusqu'à ce qu'il ne reste qu'une heure. Lorsqu'il reste moins d'une heure, l'afficheur ne montre que les minutes et les secondes. Lorsqu'il ne reste qu'une minute à écouler, seules les secondes sont affichées.
- Lorsque la minuterie est utilisée pendant une fonction de cuisson, le décompte de la minuterie s'affiche. Pour voir l'information de toute autre fonction active du four, appuyez une fois sur la touche de cette autre fonction pour vérifier son état.

Réglage de l'affichage de l'horloge sur 12 ou 24 heures

Le mode d'affichage de l'horloge vous permet de choisir entre un affichage sur 12 ou 24 heures. Le mode d'affichage pré-réglé à l'usine est sur 12 heures.

Par exemple, pour régler le mode d'affichage sur 12 ou 24 heures :

1. Maintenez la touche **CLOCK SET/START** (réglage/mise en marche de l'horloge) enfoncée pendant 6 secondes.
2. Appuyez sur la touche **SELF CLEAN** (autonettoyage) pour alterner entre les modes d'affichage sur 12 heures ou 24 heures (fig. 2 et 3).
3. Appuyez sur **START** (mise en marche) pour accepter le réglage.



Fig. 2



Fig. 3

Passer de la fonction de cuisson au four continue à la fonction d'économie d'énergie 12 heures

Le régulateur du four comporte une fonction d'économie d'énergie 12 heures réglée en usine qui arrête le four s'il est laissé en marche pour plus de 12 heures. Le régulateur peut être programmé pour supprimer cette fonction et passer en mode de cuisson au four continue.

Par exemple, pour changer entre une cuisson continue et la fonction d'économie d'énergie 12 heures :

1. Maintenez la touche **TIMER SET/OFF** (minuterie marche/arrêt) enfoncée pendant 6 secondes.
2. Appuyez sur la touche **SELF CLEAN** (autonettoyage) pour passer de la fonction 12 Hr OFF (arrêt du mode 12 heures) (fig. 4) à la fonction StAy On (rester allumé) (fig. 5).
3. Appuyez sur **START** (mise en marche) pour confirmer le réglage.



Fig. 4

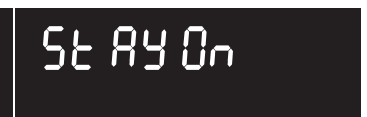


Fig. 5

Réglage des commandes du four

Modification de l'affichage de la température du four

Le régulateur du four est réglé pour afficher la température en °F (Fahrenheit) lorsqu'il quitte l'usine. L'affichage peut être modifié pour indiquer des degrés Fahrenheit ou Celsius.

Par exemple, pour que la température soit affichée en °C (Celsius) ou °F (Fahrenheit) :

1. Appuyez sur la touche **BROIL** (gril) et maintenez-la enfoncée pendant 6 secondes.
2. Appuyez sur la touche **SELF CLEAN** (autonettoyage) pour passer de Fahrenheit (F) à Celsius (C) (fig. 1 et 2).
3. Appuyez sur **START** (mise en marche) pour confirmer le réglage.

Remarque importante :

L'affichage de la température du four ne peut pas être modifié si la cuisson au four ou l'autonettoyage fonctionnent.



Fig. 1



Fig. 2

Réglage du mode de commande silencieux ou sonore

Le mode silencieux permet d'utiliser les commandes sans sons. Vous pouvez programmer le fonctionnement silencieux des commandes et du régulateur, puis revenir plus tard au fonctionnement normal, avec tous les bips et les sons habituels.

Par exemple, pour régler le mode silencieux ou sonore :

1. Appuyez sur la touche **DELAY START** (mise en marche différée) et maintenez-la enfoncée pendant 6 secondes.
2. Appuyez sur la touche **SELF CLEAN** (autonettoyage) pour activer ou désactiver les sons (fig. 3 et 4).
3. Appuyez sur **START** (mise en marche) pour confirmer le réglage.



Fig. 3



Fig. 4

Réglage du verrouillage des commandes

Control Lock
Hold 5 Sec

La commande peut être programmée pour verrouiller les touches de commande du four.

Pour activer le verrouillage des commandes du four :

1. Appuyez sur la touche **START** (mise en marche) et tenez-la enfoncée jusqu'à ce que vous entendiez un signal sonore vous indiquant que le verrouillage des commandes du four a été activé.
2. **Loc** (verrouillé) s'affiche (fig. 5).



Fig. 5

Pour désactiver le verrouillage des commandes du four :

1. Appuyez sur la touche **START** (mise en marche) et tenez-la enfoncée jusqu'à ce que vous entendiez un signal sonore vous indiquant que le verrouillage de commandes du four a été désactivé.
2. Lorsque **Loc** (verrouillé) n'apparaît plus sur l'afficheur, les touches de commande du four sont de nouveau utilisables.

Remarque importante :

Si vous appuyez sur une touche de commande lorsque le verrouillage du four est activé, le panneau de commande émet trois bips pour indiquer qu'aucune commande ne peut être activée.

Réglage des commandes du four

Réglage de la cuisson au four

Utilisez la fonction de cuisson lorsque la recette nécessite une cuisson au four à une température normale. Un bip de rappel est émis pour indiquer que la température de cuisson est atteinte et qu'il faut placer la nourriture dans le four.

La cuisson peut être réglée pour toute température comprise entre 77 °C (170 °F) et 288 °C (550 °F).

⚠ ATTENTION Servez-vous toujours de maniques ou de gants isolants lorsque vous utilisez les grilles de four. Lors de la cuisson, l'intérieur du four, les grilles et la surface de cuisson deviennent très chauds, ce qui pourrait causer des brûlures.

Par exemple, pour programmer la cuisson à la température par défaut du four de 350 °F (177 °C) :

1. Appuyez sur la touche **BAKE** (cuisson au four).
2. Appuyez sur **START** (mise en marche).

Pour arrêter la cuisson à tout moment, appuyez sur **OFF** (arrêt).

Par exemple, pour programmer la température du four à 425 °F (218 °C) :

1. Appuyez sur la touche **BAKE** (cuisson au four).
2. Entrez **4 2 5** à l'aide des touches numériques.
3. Appuyez sur **START** (mise en marche).

Pour arrêter la cuisson à tout moment, appuyez sur **OFF** (arrêt).

Remarques importantes :

- Le four ne peut pas cuire pendant plus de 12 heures. Si vous souhaitez poursuivre la cuisson, consultez la rubrique « Passer de la fonction de cuisson continue à la fonction d'économie d'énergie 12 heures » pour plus de détails.
- Les casseroles au fini foncé ou mat absorbent davantage la chaleur que les casseroles au fini brillant, ce qui peut entraîner le noircissement ou le brunissement trop prononcé des aliments. Il pourrait être nécessaire de réduire la température du four ou la durée de cuisson pour empêcher le brunissement excessif de certains aliments. Les casseroles au fini foncé sont recommandées pour les tartes. Les casseroles au fini brillant sont recommandées pour les gâteaux, les biscuits et les muffins.

Fermentation du pain

Cette cuisinière possède une fonction de fermentation de la pâte à pain. La durée recommandée de conservation de la pâte à pain dans le four est d'environ 45 à 60 minutes. Assurez-vous de suivre les durées recommandées dans la recette.

Comme la pâte à pain doublera pratiquement de volume, assurez-vous de placer la pâte préparée dans un grand bol et disposez les grilles du four de façon à permettre cette augmentation de volume.

Pour activer la fonction de fermentation de la pâte à pain :

1. Placez la pâte dans le four.
2. Appuyez sur la touche **BREAD PROOF** (fermentation du pain). Le four chauffera à une température de 37,8 °C (100 °F) et le ventilateur de convection fonctionnera (fig. 1).

Pour arrêter la fonction de fermentation à tout moment, appuyez sur **OFF** (arrêt).



Fig. 1

Réglage des commandes du four

Réglage du temps de cuisson

Utilisez la touche COOK TIME (temps de cuisson) de manière à programmer le four pour qu'il s'éteigne automatiquement après une durée de temps désirée.

⚠ AVERTISSEMENT DANGER D'EMPOISONNEMENT

ALIMENTAIRE. Ne laissez pas la nourriture reposer plus d'une heure avant ou après la cuisson. Vous risqueriez d'être malade ou de subir un empoisonnement alimentaire. Les aliments qui se gâtent facilement comme le lait, les œufs, le poisson, la viande et la volaille doivent d'abord être refroidis au réfrigérateur. Même une fois refroidis, ils ne doivent pas être placés dans le four plus d'une heure avant le début de la cuisson et ils doivent être retirés rapidement du four une fois la cuisson terminée.

Par exemple, pour programmer le four pour qu'il cuise à la température par défaut de 350 °F (177 °C) et qu'il s'éteigne après 30 minutes :

1. Appuyez sur la touche **COOK TIME** (temps de cuisson).
2. Entrez **3 0** à l'aide du clavier numérique.
3. Appuyez sur **START** (mise en marche) pour confirmer le réglage.
4. Appuyez sur la touche **BAKE** (cuisson au four).
5. Appuyez sur la touche **START** (mise en marche).



Fig. 1

Lorsque le temps de cuisson programmé s'est écoulé :

1. **End** (fin) s'affiche et le four s'éteint automatiquement (fig. 1).
2. Le panneau de commande du four émet un bip 3 fois toutes les 30 secondes jusqu'à ce que vous appuyiez sur la touche **OFF** (arrêt).

Remarques importantes :

- La fonction Cook Time (temps de cuisson) peut être utilisée avec les fonctions Bake (cuisson au four), Convect Bake (cuisson à convection), Convect Roast (rôtissage à convection), Preheat (préchauffage), la cuisson des viandes EasyConvect^{MC} et la cuisson au four des produits de boulangerie EasyConvect^{MC}. Les fonctions de temps de cuisson et de mise en marche différée ne fonctionnent pas avec la fonction de gril.
- Le réglage maximal par défaut du temps de cuisson est de 11 heures 59 minutes.
- Une fois la fonction de temps de cuisson activée, appuyez sur **COOK TIME** (temps de cuisson) pour afficher la durée de cuisson restante.

Réglage de la mise en marche différée

La mise en marche différée règle une heure de mise en marche différée pour les fonctions de cuisson ou de nettoyage du four. Avant de programmer une mise en marche différée, assurez-vous que l'horloge indique l'heure juste.

⚠ AVERTISSEMENT DANGER D'EMPOISONNEMENT

ALIMENTAIRE. Ne laissez pas la nourriture reposer plus d'une heure avant ou après la cuisson. Vous risqueriez d'être malade ou de subir un empoisonnement alimentaire. Les aliments qui se gâtent facilement comme le lait, les œufs, le poisson, la viande et la volaille doivent d'abord être refroidis au réfrigérateur. Même une fois refroidis, ils ne doivent pas être placés dans le four plus d'une heure avant le début de la cuisson et ils doivent être retirés rapidement du four une fois la cuisson terminée.

Par exemple, pour programmer la mise en marche du four à 5 h 30, son arrêt automatique après 50 minutes et la cuisson à 375 °F (191 °C) :

1. Appuyez sur la touche **COOK TIME** (temps de cuisson).
2. Entrez **5 0** à l'aide du clavier numérique.
3. Appuyez sur **START** (mise en marche) pour confirmer le réglage.
4. Appuyez sur **DELAY START** (mise en marche différée).
5. Entrez **5 3 0** à l'aide des touches numériques.
6. Appuyez sur **START** (mise en marche) pour confirmer le réglage.
7. Appuyez sur la touche **BAKE** (cuisson au four).
8. Entrez **3 7 5** à l'aide des touches numériques.
9. Appuyez sur la touche **START** (mise en marche).

Lorsque le temps de cuisson programmé s'est écoulé :

1. **End** (fin) s'affiche et le four s'éteint automatiquement (fig. 1).
2. Le panneau de commande du four émet un bip 3 fois toutes les 30 secondes jusqu'à ce que vous appuyiez sur la touche **OFF** (arrêt).

Remarques importantes :

- La mise en marche différée peut être réglée à l'aide du mode sur 24 heures. Reportez-vous à la section « Réglage de l'affichage de l'horloge sur 12 ou 24 heures » pour plus d'information.
- La fonction Delay Start (mise en marche différée) peut être utilisée avec les fonctions Bake (cuisson au four), Convect Bake (cuisson à convection), Convect Roast (rôtissage à convection), la cuisson des viandes EasyConvect^{MC}, la cuisson au four des produits de boulangerie EasyConvect^{MC} et la fonction Self Clean (autonettoyage). Les fonctions de temps de cuisson et de mise en marche différée ne fonctionnent pas avec la fonction de gril.

Réglage des commandes du four

Gril

Utilisez la fonction de gril pour cuire des viandes qui nécessitent une exposition directe à la chaleur radiante et obtenir des résultats de brunissage optimaux. La fonction de gril est programmée à l'usine pour cuire à une température de 288 °C (550 °F). La température de la fonction de gril peut être réglée entre 205 °C (400 °F) et 288 °C (550 °F).

Notez que les réglages de cuisson au gril du tableau ci-dessous (fig. 2) ne représentent que des suggestions. Augmentez ou diminuez ces durées, ou changez la position de la grille pour obtenir le degré de cuisson désiré. Si l'aliment que vous désirez cuire au gril ne se trouve pas dans le tableau, suivez les instructions fournies dans votre livre de recettes et surveillez la cuisson de près.

Par exemple, pour programmer le gril à la température de gril par défaut de 550 °F (288 °C) :

1. Positionnez les grilles lorsque le four est froid. Pour des résultats de brunissage optimaux, préchauffez le four pendant 5 minutes avant d'ajouter de la nourriture.
2. Placez l'ustensile dans le four. **Fermez la porte du four.**
3. Appuyez sur la touche **BROIL** (gril).
4. Appuyez sur la touche **START** (mise en marche).
5. Passez la viande au gril sur un côté jusqu'à ce qu'elle brunisse. Retournez-la et faites-la griller de l'autre côté.
6. Lorsque la cuisson au gril est terminée, appuyez sur **OFF** (arrêt).

Pour arrêter la cuisson au gril à tout moment, appuyez sur **OFF** (arrêt).

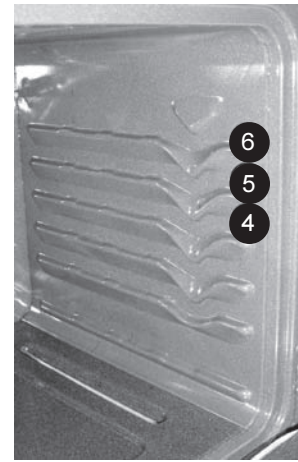


Fig. 1

AVERTISSEMENT Si des flammes apparaissent dans le four, fermez la porte du four et **ÉTEIGNEZ-le**. Si le feu ne s'éteint pas, servez-vous d'un extincteur. **NE JETEZ PAS** d'eau ni de farine sur le feu. La farine peut être explosive.

ATTENTION Servez-vous toujours de maniques ou de gants isolants lorsque vous utilisez les grilles de four. Lors de la cuisson, l'intérieur et l'extérieur du four, les grilles et la surface de cuisson deviennent très chauds, ce qui pourrait causer des brûlures.

Remarques importantes :

- Positionnez toujours les grilles lorsque le four est froid.
- Pour des résultats de cuisson au gril optimaux, utilisez une lèchefrite et une grille de lèchefrite de qualité. Une lèchefrite est conçue pour évacuer les graisses des aliments, éviter les projections et réduire la production de fumée.
- Lors de la cuisson au gril, tirez toujours la grille du four jusqu'à la position d'arrêt avant de tourner la nourriture ou de la retirer du four.
- Les fonctions de temps de cuisson et de mise en marche différée ne fonctionnent pas avec la fonction de gril.

Tableau de suggestions de paramètres pour le gril (four au gaz)

Aliment	Position de la grille (fig. 1)	Réglage	Temps de cuisson en minutes		Cuisson
			1 ^{er} côté	2 ^e côté	
Steak de 2,5 cm (1 po) d'épaisseur	5 ^e ou 6 ^{es} *	288 °C / 550 °F	8	6	À point
Steak de 2,5 cm (1 po) d'épaisseur	5 ^e ou 6 ^{es} *	288 °C / 550 °F	10	8	À point-bien cuit
Steak de 2,5 cm (1 po) d'épaisseur	5 ^e ou 6 ^{es} *	288 °C / 550 °F	11	10	Bien cuit
Côtelettes de porc de 2 cm (3/4 po) d'épaisseur	5 ^e	288 °C / 550 °F	12	8	Bien cuit
Poulet avec os	4 ^e	232 °C / 450 °F	25	15	Bien cuit
Poulet désossé	5 ^e	232 °C / 450 °F	10	8	Bien cuit
Poisson	5 ^e	288 °C / 550 °F	- selon les instructions -	-	Bien cuit
Crevettes	4 ^e	288 °C / 550 °F	- selon les instructions -	-	Bien cuit
Galette de bœuf haché de 2,5 cm (1 po) d'épaisseur	5 ^e ou 6 ^{es} *	288 °C / 550 °F	12	10	À point
Galette de bœuf haché de 2,5 cm (1 po) d'épaisseur	5 ^e	288 °C / 550 °F	14	12	Bien cuit

*Utilisez la grille surbaissée à la position 6 seulement.

Les temps de cuisson représentent des estimations et devraient être utilisés comme guides uniquement.

Fig. 2

Réglage des commandes du four

Avantages de la cuisson à convection

- Les aliments peuvent cuire de 25 à 30 % plus rapidement, ce qui économise temps et énergie.
- Vous pouvez utiliser plusieurs grilles.
- Aucun ustensile de cuisson spécial n'est requis.

La cuisson à convection utilise un ventilateur qui fait circuler la chaleur à l'intérieur du four de façon uniforme et continue (fig. 1). La distribution de chaleur étant ainsi améliorée, la nourriture cuit et brunit plus rapidement. Vous obtenez également de meilleurs résultats de cuisson lorsque vous utilisez deux grilles en même temps.

Suggestions pour la cuisson à convection :

- Pour obtenir des résultats de cuisson optimaux, nous vous recommandons de préchauffer le four lorsque vous préparez des aliments comme des petits gâteaux, des biscuits et du pain.
- Réduisez la température indiquée dans la recette de 14 °C (25 °F). Suivez le reste de la recette en utilisant le temps de cuisson minimal recommandé.
- Lorsque vous utilisez deux grilles de four en même temps, placez-les aux positions 2 et 4 pour obtenir de meilleurs résultats (fig. 1).

Cuisson à convection

L'air chaud circule autour de la nourriture de tous les côtés, emprisonnant jus et saveurs. Les pains et les pâtisseries cuisent plus uniformément.

La plupart des aliments que vous faites cuire dans un four standard peuvent être cuits plus vite et de manière plus uniforme grâce à la fonction de convection.

La cuisson à convection peut être réglée pour toute température comprise entre 149 °C (300 °F) et 288 °C (550 °).

Par exemple, pour programmer la cuisson à convection à la température de four par défaut de 350 °F (177 °C) :

1. Appuyez sur la touche **CONVECT BAKE** (cuisson à convection).
2. Appuyez sur **START** (mise en marche).

Pour arrêter la cuisson à convection à tout moment, appuyez sur **OFF** (arrêt).

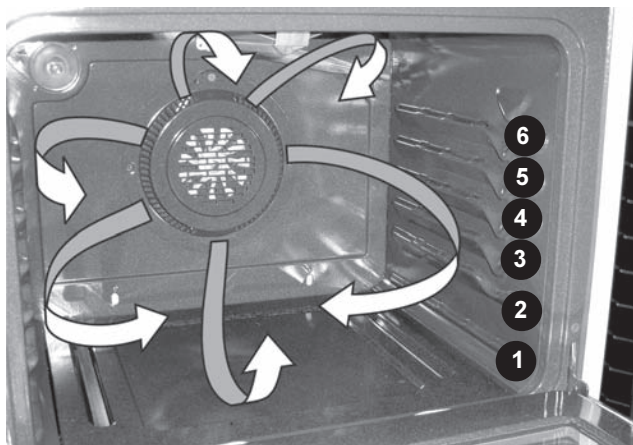


Fig. 1

Rôtissage à convection

Les viandes cuites avec le rôtissage à convection seront plus juteuses et la volaille sera croustillante à l'extérieur tout en demeurant tendre à l'intérieur.

Le rôtissage à convection peut être réglé pour toute température comprise entre 149 °C (300 °F) et 288 °C (550 °F).

Suggestions pour le rôtissage à convection :

- Il n'est pas nécessaire de préchauffer le four lorsque vous rôtissez des aliments en utilisant le rôtissage à convection.
- Étant donné que la fonction de rôtissage à convection cuit les aliments plus rapidement, réduisez le temps de cuisson de la recette de 25 % (vérifiez la nourriture à ce moment). Au besoin, augmentez la durée de cuisson jusqu'à ce que vous obteniez la cuisson désirée.
- Ne recouvrez pas la nourriture lorsque vous la rôtissez à sec. Cela empêchera la viande de brunir correctement.

Par exemple, pour programmer le rôtissage à convection à la température de four par défaut de 350 °F (177 °C) :

1. Appuyez sur la touche **CONVECT ROAST** (rôtissage à convection).
2. Appuyez sur **START** (mise en marche).

Pour arrêter la cuisson par rôtissage à convection à tout moment, appuyez sur **OFF** (arrêt).

Remarques importantes :

- Le ventilateur de convection prendra 6 minutes avant de commencer à tourner, après avoir activé la fonction de cuisson à convection. Cela est tout à fait normal.
- Si la porte du four est ouverte lorsqu'une fonction à convection est utilisée, le ventilateur de convection arrête de tourner jusqu'à ce que la porte soit refermée.
- Lorsque vous utilisez la cuisson à convection, l'économie de temps pourrait varier selon la quantité et le type de nourriture préparés.
- Les casseroles au fini foncé ou mat absorbent davantage la chaleur que les casseroles au fini brillant, ce qui peut entraîner le noircissement ou le brunissement trop prononcé des aliments. Il pourrait être nécessaire de réduire la température du four ou la durée de cuisson pour empêcher le brunissement excessif de certains aliments. Les casseroles au fini foncé sont recommandées pour les tartes. Les casseroles au fini brillant sont recommandées pour les gâteaux, les biscuits et les muffins.

Réglage des commandes du four

Cuisson des viandes et des produits de boulangerie EasyConvect^{MC}

Les fonctions de **cuisson des viandes** et des **produits de boulangerie EasyConvect^{MC}** vous permettent de convertir une recette standard de viande rôtie ou de produits de boulangerie à une cuisson à convection. Ces fonctions s'utilisent avec les réglages de cuisson standards et calculent une température inférieure pour la cuisson à convection. À la fin du préchauffage, cette fonction est conçue pour afficher la température du four convertie (réduite).

La fonction EasyConvect^{MC} de cuisson des viandes et des produits de boulangerie est conçue pour offrir un résultat de cuisson optimal lorsque vous préparez des rôtis et des produits de boulangerie en faisant doucement circuler de l'air chaud autour des aliments. Vos gâteaux auront ainsi plus de volume et vos rôtis seront brunis plus également.

Que vous utilisiez la fonction de **cuisson des viandes** ou des **produits de boulangerie EasyConvect^{MC}** avec la fonction Cook Time (temps de cuisson) ou Delay Start (mise en marche différée), **CF** s'affichera lorsque 75 % du temps de cuisson sera atteint afin de vous rappeler de vérifier les aliments (fig. 1). À ce moment, le régulateur du four émet un long bip à intervalles réguliers jusqu'à ce que la cuisson soit terminée.



Fig. 1

Par exemple, pour régler la fonction de cuisson des viandes EasyConvect^{MC} :

1. Appuyez sur la touche **EASYCONVECT MEATS** (cuisson des viandes EasyConvect).
2. Entrez la température de cuisson donnée dans la recette à l'aide des touches numériques.
3. Appuyez sur **START** (mise en marche). La température du four ajustée en fonction de la cuisson par convection s'affichera (par exemple, si la température de la recette que vous avez entrée était 400 °F, c'est 375 qui s'affichera).

Vous pouvez arrêter la fonction de **cuisson des viandes EasyConvect^{MC}** à tout moment en appuyant sur **OFF** (arrêt).

Par exemple, pour régler la fonction de cuisson des produits de boulangerie EasyConvect^{MC} :

1. Appuyez sur la touche **EASYCONVECT BAKED GOODS** (cuisson des produits de boulangerie EasyConvect).
2. Entrez la température de cuisson donnée dans la recette à l'aide des touches numériques.
3. Appuyez sur **START** (mise en marche). La température du four ajustée en fonction de la cuisson par convection s'affichera (par exemple, si la température de la recette que vous avez entrée était 400 °F, c'est 375 qui s'affichera).

Vous pouvez arrêter la fonction de **cuisson des produits de boulangerie EasyConvect^{MC}** à tout moment en appuyant sur **OFF** (arrêt).

Par exemple, pour programmer un temps de cuisson à la fonction de cuisson des viandes ou des produits de boulangerie EasyConvect^{MC} à la température par défaut du four :

1. Appuyez sur la touche **COOK TIME** (temps de cuisson).
2. Entrez **3 0** (pour 30 minutes).

3. Appuyez sur **START** (mise en marche).
4. Appuyez sur **EASYCONVECT MEATS** (cuisson des viandes EasyConvect) ou **EASYCONVECT BAKED GOODS** (cuisson des produits de boulangerie EasyConvect).
5. Appuyez sur **START** (mise en marche) (ou entrez une autre température de cuisson, puis appuyez sur **START**).
6. Appuyez sur **EASY CONVECT**.

Pour annuler la fonction EasyConvect^{MC} à tout moment, appuyez sur **OFF** (arrêt).

Remarques importantes :

- Le ventilateur de convection prendra 6 minutes avant de commencer à tourner, après avoir activé la fonction de cuisson à convection. Cela est tout à fait normal.
- Si la porte du four est ouverte lorsqu'une fonction à convection est utilisée, le ventilateur de convection **arrête de tourner** jusqu'à ce que la porte soit refermée.
- Lorsque vous utilisez la fonction de cuisson des viandes ou des produits de boulangerie EasyConvect^{MC}, la réduction du temps de cuisson peut varier en fonction de la température de cuisson programmée.
- La durée minimale de temps de cuisson que vous pouvez programmer avec les fonctions de cuisson des viandes et des produits de boulangerie EasyConvect^{MC} est 20 minutes.

Sonde thermique

Lorsque vous faites cuire de la viande comme des rôtis, des jambons ou de la volaille, utilisez la fonction de sonde pour vérifier la température interne de vos aliments avec précision. Pour certains types de viande, en particulier la volaille et les rôtis, la vérification de la température interne de ces aliments est la meilleure façon de savoir s'ils ont été bien cuits.

Insertion appropriée de la sonde thermique

- Insérez toujours la sonde de sorte que la pointe se trouve au centre de la partie la plus épaisse du morceau de viande. La sonde ne doit pas toucher aux os, au gras, au cartilage ni à l'ustensile.
- Pour le jambon ou l'agneau non désossé, insérez la sonde au centre de l'articulation ou du muscle situé le plus bas. Pour les mets comme les pains de viande ou les plats mijotés, insérez la sonde dans le centre des aliments. Pour trouver le centre des aliments visuellement, effectuez la mesure en utilisant la sonde comme guide (fig. 2). Lorsque vous faites cuire du poisson, insérez la sonde juste au-dessus des branchies.
- Pour une dinde ou une volaille entière, insérez la sonde dans la partie la plus épaisse de l'entre-cuisse, juste sous la cuisse (fig. 3).

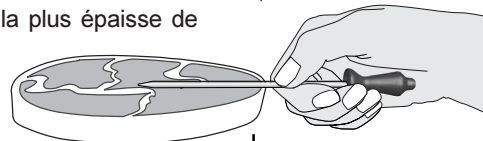


Fig. 2

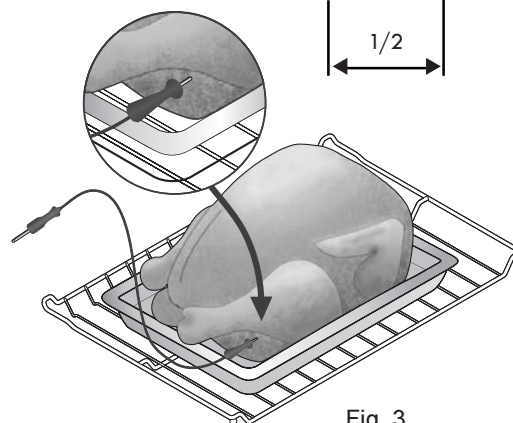



Fig. 3

Réglage des commandes du four

Pour régler la sonde thermique :

1. Préparez les aliments et insérez-y la sonde thermique de façon appropriée. **NE FAITES PAS PRÉCHAUFFER** le four ou ne commencez pas la cuisson avant d'avoir inséré la sonde dans les aliments. La sonde doit être insérée dans les aliments et la prise pendant que la température du four est encore basse.
2. Placez les aliments préparés sur les grilles du four disposées à la position désirée et glissez-les dans le four.
3. Branchez la sonde thermique dans sa prise qui se trouve sur la partie avant gauche de la paroi interne du four (reportez-vous à la figure 1 pour connaître l'emplacement de la prise de la sonde).
4. Les commandes du four détectent la sonde thermique si celle-ci est branchée correctement dans la prise et l'icône  s'affiche sur le tableau de commande du four.
5. Pour régler la température cible, appuyez une fois sur la touche MEAT PROBE (sonde thermique), puis entrez la température cible interne à l'aide des touches numériques (le réglage par défaut est de 170 °F/ 77 °C)†. Appuyez sur **START** (mise en marche) pour accepter la température cible de la sonde. Fermez la porte du four.
6. Réglez le four pour la cuisson au four, la cuisson à convection ou le rôtissage à convection, et entrez la température de four désirée. Vous pouvez utiliser la sonde thermique avec d'autres fonctions de cuisson, mais il est impossible de s'en servir avec les fonctions Broil (gril) ou Self Clean (autonettoyage).
7. Lors du processus de cuisson, la température réelle de la sonde thermique s'affiche par défaut. Pour voir la température cible, appuyez une fois sur la touche MEAT PROBE (sonde thermique). Après 6 secondes, la température de l'aliment s'affiche de nouveau. Si vous devez changer la température cible durant la cuisson, appuyez une fois sur la touche MEAT PROBE (sonde thermique) et utilisez les touches numériques pour ajuster la température cible. Appuyez sur la touche **START** (mise en marche) pour confirmer les modifications.
8. La commande du four émet 3 bips lorsque la température cible interne est atteinte. Des instructions pour changer la manière dont le four réagit une fois la température cible interne atteinte se trouvent plus loin dans cette section.

À tout moment, vous pouvez appuyer sur **OFF** (arrêt) pour arrêter la cuisson.

Remarques importantes :

- Utilisez **UNIQUEMENT** la sonde thermique fournie avec l'appareil. L'utilisation de tout autre sonde ou dispositif peut endommager l'appareil et la prise de la sonde.
- Ne laissez et ne rangez jamais la sonde dans le four.
- Manipulez la sonde avec précaution lorsque vous l'insérez dans les aliments ou dans la prise ou lorsque vous la retirez de ces derniers. N'utilisez pas de pinces pour tirer sur le câble de la sonde lorsque vous insérez celle-ci dans les aliments ou dans la prise ou lorsque vous la retirez de ces derniers.
- Décongelez complètement les aliments avant d'insérer la sonde pour éviter de l'endommager.
- Après la cuisson, débranchez la sonde avec précaution au moyen d'une manique pour éviter de brûler vos mains.
- Vous devez changer la manière dont le four réagit une fois la température cible atteinte avant que le processus de cuisson ne commence.

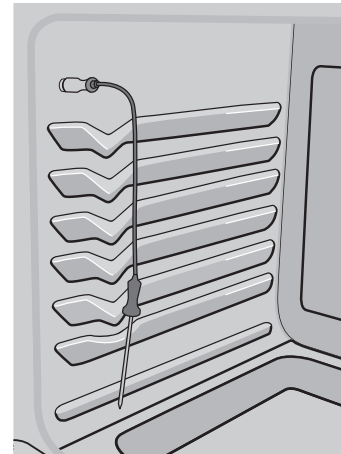


Fig. 1

Pour programmer le four pour qu'il continue la cuisson une fois la température cible de la sonde atteinte :

1. Appuyez sur la touche **MEAT PROBE** (sonde thermique) et maintenez-la enfoncée pendant 6 secondes.
2. Appuyez sur la touche **SELF CLEAN** (autonettoyage) jusqu'à ce que le message « Continu » s'affiche (fig. 2), puis appuyez sur **START** (mise en marche) pour confirmer.

Pour programmer le four pour qu'il continue la cuisson une fois la température cible de la sonde atteinte :

1. Appuyez sur la touche **MEAT PROBE** (sonde thermique) et maintenez-la enfoncée pendant 6 secondes.
2. Appuyez sur la touche **SELF CLEAN** (autonettoyage) jusqu'à ce que le message « CANCEL » (annuler) s'affiche (fig. 3), puis appuyez sur **START** (mise en marche) pour confirmer.



Fig. 2



Fig. 3

† Le département de l'Agriculture des États-Unis affirme : « Le bœuf frais saignant est populaire, mais il est important de savoir que de le faire cuire à seulement 60 °C/140 °F implique que certains organismes pouvant causer des empoisonnements alimentaires peuvent survivre. » (Source : Safe Food Book, Your Kitchen Guide, USDA, rév. en juin 1985.)

La température la plus basse recommandée par le département de l'Agriculture des États-Unis est de 145 °F / 63 °C pour l'obtention de bœuf frais mi-saignant.

Réglage des commandes du four

Ajustement de la température du four

Votre four a été réglé et testé en usine de façon à fournir une température de cuisson précise. Au cours des premières utilisations, suivez attentivement les durées et les températures recommandées dans vos recettes. Si vous croyez que le four chauffe trop ou pas assez pour les durées indiquées dans vos recettes, vous pouvez ajuster le régulateur pour que le four chauffe plus ou moins que la température de four indiquée.

Il est possible d'augmenter ou de diminuer la température du four de 19 °C (35 °F) par rapport aux réglages par défaut.

Par exemple, pour augmenter (+) ou diminuer (-) la température du four de 20 °F :

1. Maintenez la touche **BAKE** (cuisson au four) enfoncée jusqu'à ce que les commandes du four émettent un 2^e signal sonore (environ 6 secondes).
2. Entrez **2 0** à l'aide du clavier numérique.
3. Appuyez sur la touche **SELF CLEAN** (autonettoyage) pour passer de l'augmentation (+) à la diminution (-) de la température. Ces symboles s'affichent.
4. Appuyez sur **START** (mise en marche) pour confirmer le réglage.

Remarques importantes :

- Les ajustements n'affectent pas la température du gril ou du cycle d'autonettoyage Self Clean.
- Si l'afficheur indique un ajustement de -11 °C (-20 °F) et que vous désirez plutôt un ajustement de +11 °C (+20 °F), vous pouvez passer de (-) à (+) et vice versa en appuyant sur la touche SELF CLEAN (autonettoyage; reportez-vous à l'étape 3).
- **N'UTILISEZ PAS** de thermomètre, comme ceux que l'on trouve dans les épiceries, pour vérifier le réglage de la température intérieure de votre four. Ces thermomètres de four peuvent indiquer des températures qui varient de -11 à 22 °C (20 à 40 °F) par rapport aux températures réelles.
- Vous pouvez également procéder à un tel réglage lorsque la température de votre four est réglée pour fonctionner en degrés Celsius (°C). Les réglages minimum et maximum en degrés Celsius sont de plus (+) ou moins (-) 19 °C.

Utilisation de l'éclairage du four

La lampe du four S'ALLUME automatiquement à l'ouverture de la porte.

Appuyez sur **OVEN LIGHT** (lampe du four) pour ALLUMER ou ÉTEINDRE la lampe du four lorsque la porte est fermée. Veuillez noter que la lampe du four ne peut être allumée pendant l'autonettoyage.

La lampe du four est située dans le coin supérieur gauche de la paroi arrière du four. Elle est protégée par un globe en verre retenu par une tige métallique. Le protecteur en verre protège l'ampoule des températures élevées et doit toujours être en place lorsque le four fonctionne.

Pour remplacer l'ampoule du four, reportez-vous au paragraphe **Remplacement de l'ampoule du four** dans la section « Entretien et nettoyage ».

Rétablir les réglages par défaut

Remarque importante :

Rétablir les réglages par défaut fera s'effacer toutes les recettes enregistrées et rétablira tous les autres réglages aux réglages programmés en usine. Ceux-ci incluent l'affichage sur 12 ou 24 heures, la cuisson continue et le mode d'économie d'énergie 12 heures, le mode de commande silencieux ou sonore, l'affichage de la température en degrés Fahrenheit ou Celsius et tout réglage de température qui a été modifié.

1. Maintenez la touche **7** enfoncée jusqu'à ce que le premier signal sonore se fasse entendre (6 secondes).
2. Après le premier signal sonore, appuyez une fois sur **START** (mise en marche).

Réglage des commandes du four

Fonction de sabbat (à utiliser durant le sabbat et les fêtes juives)



Pour obtenir plus de renseignements et des directives d'utilisation ou pour consulter la liste complète des modèles qui possèdent la fonction de sabbat, rendez-vous au <http://www.star-k.org>.

Les touches **COOK TIME** (temps de cuisson) et **DELAY START** (mise en marche différée) sont utilisées pour régler la fonction de sabbat. La fonction de sabbat ne peut être utilisée que lorsque la fonction Bake (cuisson au four) est activée.

Une fois le four réglé correctement pour une **cuisson au four** avec la fonction de sabbat activée, il fonctionnera tant que la fonction de sabbat ne sera pas désactivée. La fonction de sabbat désactive la fonction d'économie d'énergie 12 heures préprogrammée à l'usine et lance le mode de cuisson continue.

AVERTISSEMENT DANGER D'EMPOISONNEMENT

ALIMENTAIRE. Ne laissez pas la nourriture reposer plus d'une heure avant ou après la cuisson. Vous risqueriez d'être malade ou de subir un empoisonnement alimentaire. Les aliments qui se gâtent facilement comme le lait, les œufs, le poisson, la viande et la volaille doivent d'abord être refroidis au réfrigérateur. Même une fois refroidis, ils ne doivent pas être placés dans le four plus d'une heure avant le début de la cuisson et ils doivent être retirés rapidement du four une fois la cuisson terminée.

Par exemple, pour programmer le four pour une cuisson à la température par défaut de 350 °F (177 °C) et activer la fonction de sabbat :

1. Assurez-vous que l'horloge est à l'heure.
2. Positionnez les grilles, placez l'ustensile dans le four et fermez la porte.
3. Appuyez sur la touche **BAKE** (cuisson au four).
4. Appuyez sur **START** (mise en marche).
5. Si le temps de cuisson ou la mise en marche différée ne sont pas nécessaires, **allez directement à l'étape 6**. Si vous désirez programmer un temps de cuisson ou une mise en marche différée, entrez le temps désiré, puis appuyez sur **START** (mise en marche). Reportez-vous aux sections concernant le temps de cuisson et la mise en marche différée pour des instructions détaillées.
6. Maintenez les touches **COOK TIME** (temps de cuisson) et **DELAY START** (mise en marche différée) enfoncées simultanément pendant 3 secondes pour activer la fonction de sabbat. Les commandes émettront un signal sonore de confirmation et « SAB » (fig. 1) s'affichera pour indiquer que le four est correctement réglé pour la fonction de sabbat.

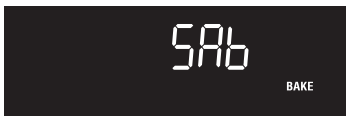


Fig. 1



Fig. 2

Par exemple, pour éteindre le four, mais conserver la fonction de sabbat :

Appuyez sur **OFF** (arrêt).

Par exemple, pour désactiver la fonction de sabbat :

Maintenez les touches **COOK TIME** (temps de cuisson) et **DELAY START** (mise en marche différée) enfoncées simultanément pendant au moins 3 secondes pour désactiver la fonction de sabbat. Les commandes émettront un signal sonore de confirmation et « SAB » disparaîtra de l'afficheur. Le four n'est plus programmé pour la fonction de sabbat.

Que faire après une panne électrique ou une interruption de courant si la fonction de sabbat est activée?

Le four s'éteint s'il y a une panne électrique. Lorsque l'alimentation électrique reviendra, le four ne s'allumera pas automatiquement, mais il se rappellera qu'il a été programmé en mode sabbat. **SF** (Sabbath failure) s'affichera (fig. 2).

La nourriture peut être enlevée du four sans danger pendant que la fonction sabbat est toujours activée. Cependant, le four ne peut être rallumé avant la fin du sabbat. Après le sabbat, **DÉSACTIVEZ** la fonction de sabbat. Maintenez les touches **COOK TIME** (temps de cuisson) et **DELAY START** (mise en marche différée) enfoncées simultanément pendant au moins 3 secondes pour désactiver la fonction de sabbat. « SF » ne sera plus affiché.

Remarques importantes :

- Il est déconseillé de tenter d'utiliser toute autre fonction, à l'exception de la cuisson au four lorsque la fonction de sabbat est activée. **SEULES** les touches suivantes fonctionnent normalement avec la fonction de sabbat : touches numériques 0 à 9, **BAKE** (cuisson au four), **START** (mise en marche) et **OFF** (arrêt). **AUCUNE DES AUTRES TOUCHES** ne devrait être utilisée lorsque la fonction de sabbat est activée.
- Vous pouvez changer la température du four une fois que la cuisson est commencée. Appuyez sur **BAKE** (cuisson au four) et utilisez les touches numériques pour entrer le changement de température (de 170 °F à 550 °F/de 77 °C à 288 °C), puis appuyez sur **START** (mise en marche) (pour les fêtes juives seulement). N'oubliez pas que les commandes du four n'émettent pas de signaux sonores et n'affichent plus les modifications une fois la fonction de sabbat activée.
- En mode sabbat, il est recommandé d'appuyer deux fois sur la touche **START** (mise en marche) après avoir changé la température de cuisson pour s'assurer que le four reste allumé, même si la température du four n'a pas été réglée correctement. Si la température du four est réglée incorrectement, elle se règle par défaut à 170 °F ou 550 °F (77 °C ou 288 °C). Essayez à nouveau de régler la température du four.
- Si vous souhaitez utiliser l'éclairage du four durant le sabbat, appuyez sur la touche **OVEN LIGHT** (lampe de four) **avant** d'activer la fonction de sabbat. Lorsque la lampe du four est allumée et que la fonction de sabbat est activée, la lampe du four demeure allumée jusqu'à ce que la fonction de sabbat soit **DÉSACTIVÉE**. Si vous voulez éteindre la lampe du four, assurez-vous de le faire **avant** d'activer la fonction de sabbat.
- Souvenez-vous que le four s'éteint automatiquement à la fin d'une **cuisson minutée**, d'une **mise en marche différée** ou d'un **maintien au chaud**. Ceux-ci ne peuvent donc être utilisés qu'une seule fois durant le sabbat/les fêtes juives.
- Si une heure de mise en marche différée de plus de 11 heures 59 minutes est souhaitée, réglez les commandes du four pour un affichage sur 24 heures. Pour des instructions détaillées, reportez-vous à la section **Réglage de l'affichage de l'horloge sur 12 ou 24 heures**.

Commandes du tiroir chauffant

Tiroir chauffant

Le tiroir chauffant est destiné à maintenir les aliments cuits à la température où ils seront servis. Il peut servir par exemple à maintenir au chaud les légumes, les sauces, les viandes, les cocottes, les biscuits, les petits pains et les pâtisseries. Il n'est pas recommandé de chauffer des aliments froids dans le tiroir chauffant; placez-y toujours des aliments chauds.

Le tiroir chauffant peut également être utilisé pour réchauffer des assiettes à dîner. Tous les aliments placés dans le tiroir chauffant doivent être recouverts d'un couvercle ou de papier d'aluminium pour préserver leur qualité.

Disposition de la grille du tiroir chauffant

La grille du tiroir chauffant peut être utilisée de 2 façons :

- **Relevée** (fig. 1) pour permettre de disposer des aliments peu épais sur et sous la grille (par exemple petits pains ou biscuits sur la grille et un plat mijoté en dessous).
- **À plat sur le fond** (fig. 2) pour permettre de disposer sur la grille des aliments de moindre poids et de la vaisselle vide (par exemple, assiettes à dîner, petits pains ou pâtisseries).

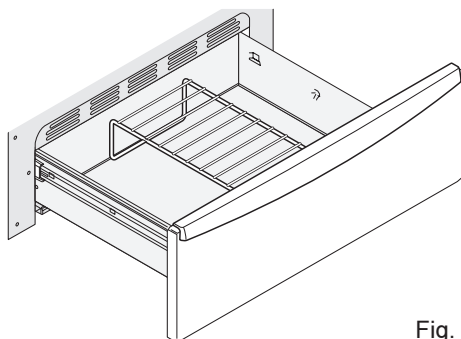


Fig. 1

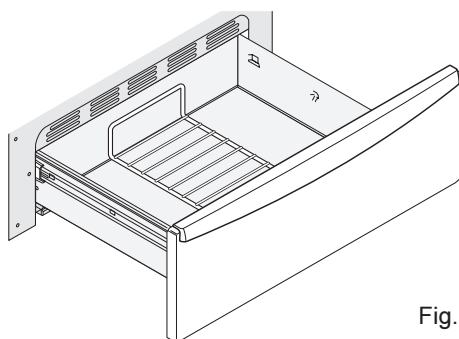


Fig. 2

Réglage du tiroir chauffant

La commande du tiroir chauffant, situé sur le tableau de commande, sert à sélectionner un réglage de température pour le tiroir. Les températures sont indiquées par **Low** (bas), **Med** (moyen) et **High** (élevé) (fig. 3).



Fig. 3

⚠ AVERTISSEMENT DANGER D'EMPOISONNEMENT ALIMENTAIRE. Ne laissez pas la nourriture reposer plus d'une heure avant ou après la cuisson. Vous risqueriez d'être malade ou de subir un empoisonnement alimentaire.

⚠ AVERTISSEMENT Rangement à l'intérieur de l'appareil ou sur l'appareil : les articles inflammables ne doivent pas être rangés dans le four, dans le tiroir chauffant et près des brûleurs de surface. Cela inclut les articles en papier, en plastique et en tissu (p. ex. les livres de cuisine, les objets en plastique et les chiffons), ainsi que tout liquide inflammable. Ne rangez pas de produits explosifs comme des bombes aérosol sur la cuisinière ou près de celle-ci.

⚠ AVERTISSEMENT NE LAISSEZ PAS LES ENFANTS SEULS : les enfants ne devraient jamais être laissés seuls ou sans surveillance lorsque l'appareil fonctionne. Ne les laissez jamais s'asseoir ou se tenir debout sur une pièce quelconque de l'appareil, notamment le tiroir chauffant.

⚠ AVERTISSEMENT NE LAISSEZ PAS LES ENFANTS SEULS ou sans surveillance lorsque la cuisinière fonctionne. L'extérieur de la cuisinière peut devenir très chaud au toucher et provoquer des brûlures.

⚠ ATTENTION Enfilez toujours des maniques ou des gants isolants pour retirer les aliments du tiroir chauffant, car les ustensiles et les plats qui s'y trouvent sont chauds et risquent de vous brûler.

Pour régler le tiroir chauffant :

1. Ouvrez le tiroir chauffant lorsqu'il est froid et positionnez la grille comme souhaité. Fermez le tiroir chauffant.
2. Appuyez sur la touche **ON/OFF** (marche/arrêt) du tiroir chauffant. Si aucun réglage de température n'est sélectionné dans les 6 prochaines secondes, la fonction se désactivera.
3. Pour basculer entre les réglages de température **Low** (bas), **Med** (moyen) et **High** (élevé), appuyez à répétition sur la touche **+/-**.
4. Pour de meilleurs résultats, préchauffez le tiroir avant d'y mettre des aliments. Le préchauffage complet d'un tiroir vide prend environ 15 minutes.
5. Placez des aliments qui sont déjà à une température de service sur la grille du tiroir chauffant. Les assiettes peuvent également être chauffées.
6. Après avoir terminé d'utiliser le tiroir chauffant, appuyez sur la touche **ON/OFF** (marche/arrêt) pour l'éteindre.

Remarques importantes :

- Commencez toujours l'utilisation du tiroir chauffant avec des aliments chauds. **NE RÉCHAUFFEZ PAS** des aliments froids dans le tiroir chauffant.
- L'autonettoyage peut être réglé lorsque le tiroir chauffant est utilisé.
- Le tiroir chauffant est muni d'un loquet qui requiert l'utilisation de force additionnelle pour ouvrir et fermer le tiroir.
- N'utilisez pas de pellicule plastique pour recouvrir les aliments. Le plastique pourrait fondre dans le tiroir et s'avérer très difficile à enlever. N'utilisez dans le tiroir chauffant que des ustensiles de cuisine recommandés par le fabricant pour une utilisation avec le tiroir chauffant.

Commande du tiroir chauffant

Réglages recommandés pour le tiroir chauffant

Les réglages recommandés pour le tiroir chauffant sont fournis à la figure 3. Rappelez-vous que ces réglages ne sont fournis qu'à titre indicatif. Si un aliment ne figure pas dans la liste, commencez par le réglage **Med** (moyen). Si vous désirez que l'aliment soit plus croustillant, enlevez le couvercle ou le papier d'aluminium qui le recouvre.

La température de service de la plupart des aliments peut être obtenue en réglant le tiroir à **Med** (moyen). Lorsque vous devez maintenir au chaud des aliments combinés (par exemple, de la viande accompagnée de deux légumes et de petits pains), utilisez le réglage **High** (élevé). Pour minimiser la perte de chaleur, évitez d'ouvrir souvent le tiroir chauffant pendant son utilisation.

Réglages recommandés pour le maintien au chaud des aliments

Aliments	Réglage
Bacon	High (élevé)
Galettes de steak haché	High (élevé)
Volaille	High (élevé)
Côtelettes de porc	High (élevé)
Aliments frits	High (élevé)
Pizza	High (élevé)
Sauces	Med (moyen)
Plats mijotés	Med (moyen)
Œufs	Med (moyen)
Rôtis	Med (moyen)
Légumes	Med (moyen)
Biscuits	Med (moyen)
Petits pains (durs)	Med (moyen)
Pâtisseries	Med (moyen)
Petits pains (mous)	Low (bas)
Assiettes à dîner vides	Low (bas)

Fig. 3

Tiroir chauffant

Retrait et remise en place du tiroir chauffant

⚠ AVERTISSEMENT Un choc électrique peut survenir et entraîner des blessures graves, voire la mort. Débranchez l'appareil avant de le nettoyer et de réparer le tiroir chauffant.

Retrait du tiroir chauffant :

1. COUPEZ l'alimentation de l'appareil **avant** d'enlever le tiroir chauffant.
2. Ouvrez complètement le tiroir chauffant.
3. Sur le rail gauche du tiroir chauffant, repérez le levier de dégagement noir et soulevez-le avec votre doigt tout en tirant légèrement sur la poignée du tiroir du four. Sur le rail droit du tiroir chauffant, repérez le levier de dégagement noir et appuyez dessus avec votre doigt tout en tirant légèrement sur la poignée du tiroir chauffant (fig. 1).
4. Le tiroir devrait alors être suffisamment dégagé des rails. Retirez complètement le tiroir chauffant de l'appareil en le tirant horizontalement en ligne droite.

Pour remettre le tiroir chauffant en place :

1. Tirez les glissières à roulement vers l'avant des profilés des glissières du compartiment extérieur jusqu'à ce qu'elles s'enclenchent (fig. 3).
2. Alignez soigneusement les deux côtés des rails des glissières du tiroir chauffant avec les profilés des glissières du compartiment de la cuisinière prévu pour le tiroir chauffant (fig. 2).
3. En tenant le tiroir chauffant droit et à l'horizontale par sa poignée, poussez-le (**sans forcer**) jusqu'au fond des profilés des glissières du compartiment extérieur jusqu'au fond de la cuisinière. Ouvrez le tiroir à nouveau pour vous assurer que les glissières sont bien en place.
4. Si vous n'entendez pas les leviers s'enclencher ou si les glissières à roulement ne semblent pas être bien installées, enlevez le tiroir et répétez les étapes 1 à 3. Ceci réduira au minimum les risques éventuels de dommages aux glissières à roulement.

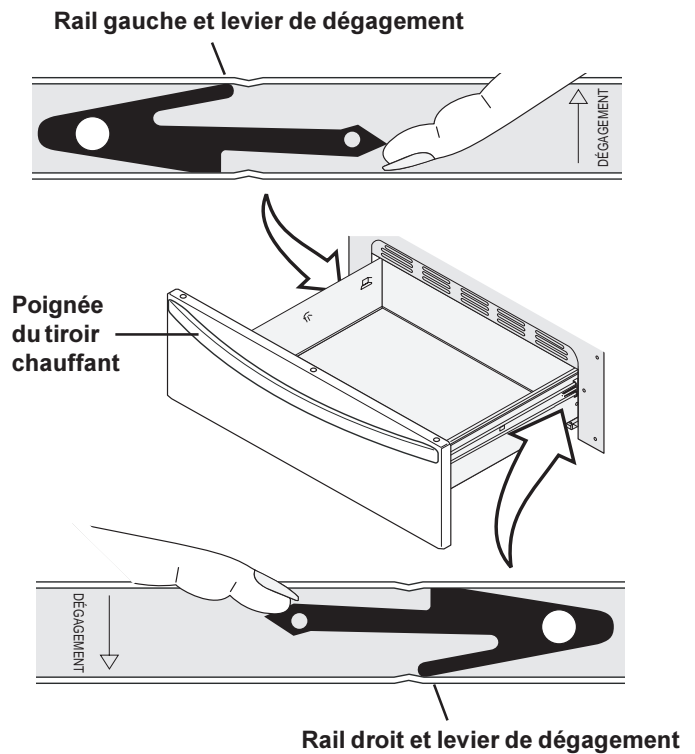


Fig. 1

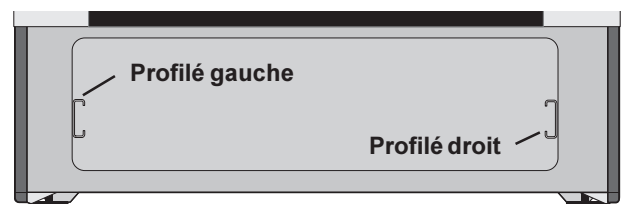
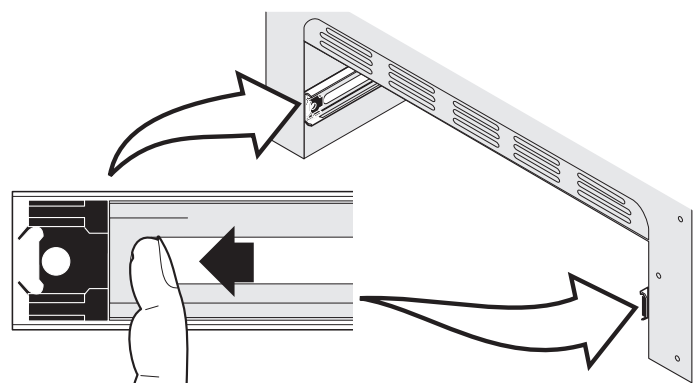


Fig. 2



Autonettoyage

Un four autonettoyant se nettoie de lui-même à de très hautes températures (beaucoup plus hautes que les températures normales de cuisson), ce qui permet d'éliminer complètement les saletés ou de les réduire en une fine poudre de cendres que vous pouvez facilement enlever après avec un chiffon humide.

La fonction d'autonettoyage Self Clean vous permet de programmer un nettoyage d'une durée comprise entre 2 et 4 heures. Il faut 3 heures pour un nettoyage normal, 2 heures pour de légères saletés et 4 heures pour les saletés tenaces.

À lire avant de démarrer l'autonettoyage (Self Clean)

Assurez-vous de lire toutes les remarques importantes et les mises en garde AVANT de commencer un cycle d'autonettoyage :

⚠ ATTENTION NE LAISSEZ PAS un enfant en bas âge sans surveillance près de l'appareil. Pendant l'autonettoyage, l'extérieur de la cuisinière peut devenir très chaud au toucher et provoquer des brûlures.

⚠ ATTENTION ENLEVEZ TOUTES LES GRILLES et accessoires du four avant de commencer un cycle d'autonettoyage. Si vous laissez les grilles dans le four pendant le cycle d'autonettoyage, la grille coulissera moins bien et le brillant de la finition des grilles du four ternira ou deviendra bleu. Enlevez toutes les grilles du four et nettoyez-les conformément aux instructions de la section « Entretien et nettoyage » du présent guide.

⚠ ATTENTION NE RECOUVREZ PAS de papier d'aluminium les parois, les grilles, la sole ni aucune autre partie du four. Cela nuit à la répartition de la chaleur, il en résulterait de mauvais résultats de cuisson et l'intérieur du four risquerait d'être endommagé de façon permanente. Le papier d'aluminium fondra sur l'intérieur du four.

⚠ ATTENTION Déplacez les oiseaux dans une pièce bien ventilée. Certains oiseaux de compagnie sont très sensibles aux vapeurs dégagées pendant l'autonettoyage des cuisinières.

⚠ ATTENTION NE TENTEZ PAS d'ouvrir la porte du four par la force. Vous pourriez endommager le système de verrouillage automatique de la porte.

⚠ ATTENTION Faites preuve de prudence en ouvrant la porte du four après l'autonettoyage. La cuisinière peut être encore TRÈS CHAUDE et vous pourriez vous brûler. Pour éviter de vous brûler, tenez-vous sur le côté du four lorsque vous ouvrez la porte pour permettre à l'air chaud ou à la vapeur de s'échapper.

Pour préparer le four à un autonettoyage :

- Retirez complètement **TOUTES LES GRILLES DE FOUR et TOUT ACCESSOIRE DE LA CAVITÉ DU FOUR pour éviter d'endommager les grilles.** Si vous ne retirez pas les grilles du four, elles peuvent se décolorer.
- Retirez **TOUS** les articles du four et de la table de cuisson, dont les ustensiles et le **PAPIER D'ALUMINIUM**. Le papier d'aluminium ne résistera pas à la température élevée d'un cycle d'autonettoyage et fondra.
- N'UTILISEZ PAS** de produits de nettoyage du commerce ni d'enduit protecteur dans le four ou autour d'une des pièces de la cavité du four.

- Nettoyez toutes les saletés pouvant se trouver sur le cadre de la porte, sur le revêtement de la porte situé autour du joint et sur la petite surface située au centre, à l'avant de la sole du four (fig. 1). Ces zones chauffent suffisamment pour que la saleté y brûle. Nettoyez-les avec de l'eau savonneuse avant de démarrer l'autonettoyage (fig. 1).
- Veillez noter que la lampe du four ne peut être allumée pendant l'autonettoyage.
- Nettoyez tout renversement excessif. Tout renversement sur la sole du four devrait être essuyé et nettoyé avant de lancer le cycle d'autonettoyage. Procédez au nettoyage à l'aide d'un chiffon trempé dans une solution d'eau chaude et de savon. Les renversements de nourriture importants peuvent produire de la fumée ou s'enflammer s'ils sont soumis à de hautes températures. **NE LAISSEZ PAS** les éclaboussures à contenu élevé en sucre ou en acide (lait, tomates, choucroute, jus de fruits ou garniture pour tarte) sur la surface. Elles risquent de laisser des taches ternes, même après le nettoyage.
- NE NETTOYEZ PAS le joint de la porte** (fig. 1). Ce joint tissé est essentiel à la bonne étanchéité du four. Prenez soin de ne pas frotter, endommager ni retirer le joint. **N'UTILISEZ AUCUN produit de nettoyage sur le joint de la porte.** Cela pourrait endommager le joint de la porte.

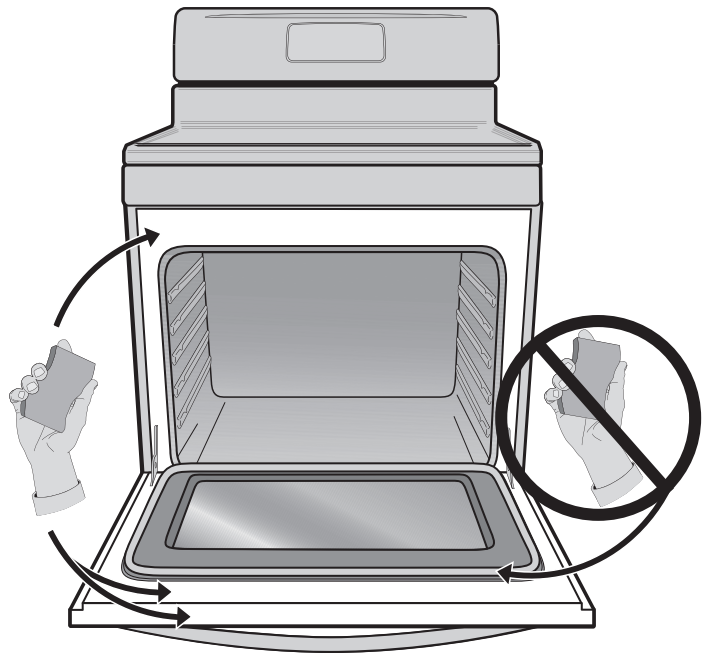


Fig. 1

Réglage du mode d'autonettoyage

Par exemple, pour lancer un autonettoyage immédiatement :

- Vérifiez que le four est vide et que **TOUTES** grilles ont été retirées. Retirez tous les articles de la table de cuisson. Assurez-vous que la porte du four est complètement fermée.
- Appuyez sur la touche **SELF CLEAN** (autonettoyage) pour un nettoyage d'une durée par défaut de 3 heures. Appuyez de nouveau sur la touche pour programmer un autonettoyage de 4 heures et une troisième fois pour un autonettoyage de 2 heures. Continuez à appuyer sur la touche pour passer d'une durée d'autonettoyage à l'autre.
- Appuyez sur **START** (mise en marche) pour démarrer l'autonettoyage.

Autonettoyage

Dès que l'autonettoyage est lancé, un mécanisme automatique de verrouillage motorisé commence à verrouiller la porte du four et **door Loc** s'affiche (fig. 1). **N'OUVREZ PAS** la porte du four lorsque **door Loc** est affiché (laissez 15 secondes au mécanisme de verrouillage pour verrouiller le four).

Lorsque la porte est verrouillée, **CLn** s'affiche pour indiquer que le four va commencer le processus d'autonettoyage (fig. 2).



Fig. 1



Fig. 2



Fig. 3



Fig. 4

Lorsque l'autonettoyage est terminé :

ATTENTION Faites preuve de prudence en ouvrant la porte du four après l'autonettoyage. Le four peut être encore **TRÈS CHAUD** et vous pourriez vous brûler. Pour éviter de vous brûler, tenez-vous sur le côté du four lorsque vous ouvrez la porte pour permettre à l'air chaud ou à la vapeur de s'échapper.

1. **CLn** disparaît de l'afficheur et est remplacé par la mention **Hot** (chaud) (fig. 3).
2. Dès que le four s'est refroidi (au bout d'environ 1 heure) et que **Hot** n'est plus affiché, le message **door OPn** s'affiche (fig. 4). **Lorsque ce message ne s'affiche plus, la porte du four peut être ouverte.**
3. Lorsque l'intérieur du four est complètement froid, essuyez tous les résidus ou les cendres à l'aide d'un chiffon humide ou d'un essuie-tout.

Remarques importantes :

- Vous devez bien aérer la cuisine en ouvrant une fenêtre ou en utilisant un ventilateur ou une hotte durant le 1^{er} cycle d'autonettoyage. L'aération aide à éliminer les odeurs normales qui se dégagent lors du 1^{er} cycle d'autonettoyage.
- Si l'autonettoyage est interrompu par une panne de courant ou annulé en cours de fonctionnement avant que le four n'ait été complètement nettoyé, il peut s'avérer nécessaire de lancer un autre cycle d'autonettoyage. Si la température de votre four était assez élevée lors de l'interruption, il vous faudra peut-être attendre jusqu'à 4 heures pour que le four refroidisse et que vous puissiez utiliser un autre cycle d'autonettoyage.
- Lorsque le temps de nettoyage est terminé, la porte du four reste verrouillée jusqu'à ce que la cuisinière ait suffisamment refroidi. En plus du temps de nettoyage programmé, vous devez laisser 1 heure supplémentaire pour que le four refroidisse avant de pouvoir ouvrir la porte du four.
- La fonction d'autonettoyage Self Clean ne fonctionne pas lorsque le verrouillage du four est activé.

Autonettoyage différé

Par exemple, pour programmer un autonettoyage différé avec une durée d'autonettoyage par défaut de 3 heures et une heure de mise en marche de 9 h 00 :

1. Assurez-vous que l'horloge indique l'heure juste, que le four est vide et que TOUTES les grilles du four ont été retirées. Assurez-vous que la porte du four est complètement fermée.
2. Appuyez sur **DELAY START** (mise en marche différée).
3. À l'aide du clavier numérique, entrez **9 0 0** pour l'heure de mise en marche.
4. Appuyez sur **START** (mise en marche) pour confirmer le réglage.
5. Appuyez sur la touche **SELF CLEAN** (autonettoyage)
6. Appuyez sur la touche **START** (mise en marche).

S'il s'avère nécessaire d'arrêter l'autonettoyage lorsqu'il fonctionne :

1. Appuyez sur **OFF** (arrêt).
2. Si l'autonettoyage a fait chauffer le four à une température élevée, attendez un temps suffisant pour qu'il refroidisse et pour que le message **door OPn** s'affiche (fig. 4). Lorsque ce message ne s'affiche plus, la porte du four peut être ouverte.
3. Redémarrez l'autonettoyage si nécessaire.

Remarques importantes :

- Lorsque la fonction d'autonettoyage est activée, vous pouvez vérifier le temps de nettoyage restant en appuyant une fois sur la touche **SELF CLEAN** (autonettoyage).
- Si vos commandes sont réglées pour un affichage sur 12 heures, le départ de l'autonettoyage différé ne peut être différé que jusqu'à un maximum de 11 heures 59 minutes uniquement. Pour régler la mise en marche de l'autonettoyage différé avec un délai de plus de 12 heures (maximum de 23 heures 59 minutes), veillez à régler les commandes pour un affichage sur 24 heures.

Entretien et nettoyage

Recommandations de nettoyage

Type de surface	Recommandation
Boutons de commande Pièces peintes Garniture décorative peinte Garnitures en aluminium, en plastique ou en vinyle	Pour un nettoyage général, utilisez de l'eau chaude savonneuse et un chiffon. Pour les taches rebelles et la graisse accumulée, appliquez un détergent liquide directement sur la saleté. Laissez agir pendant 30 à 60 minutes. Rincez avec un chiffon humide et séchez. N'utilisez pas de produits abrasifs sur ces matières, au risque de les rayer. Pour enlever les boutons de commande, mettez-les à la position OFF (arrêt); tenez-les bien et enlevez-les de leur axe en les tirant vers vous. Pour remettre les boutons en place après le nettoyage, alignez les méplats du bouton et de l'axe, puis poussez les boutons en place.
Tableau de commande Tableau de commande tactile Garniture décorative (certains modèles)	Avant de nettoyer le tableau de commande, placez toutes les commandes à l'ARRÊT, activez le verrouillage du four (certains modèles) et enlevez les boutons du panneau au besoin. N'utilisez pas de produits abrasifs sur ces matières, au risque de les rayer. Nettoyez avec un chiffon et de l'eau savonneuse chaude. Essorez bien le chiffon à vaisselle avant d'essuyer le tableau de commande, surtout autour de la zone des commandes. Un surplus d'eau autour des commandes risquerait d'endommager l'appareil. Rincez à l'eau claire en utilisant un chiffon, et assurez-vous d'essorer l'excédent d'eau du chiffon avant d'essuyer le tableau de commande.
Revêtement de la porte et pièces en émail vitrifié (certains modèles)	En frottant doucement à l'aide d'un tampon à récurer non abrasif imbibé d'eau savonneuse, vous réussirez à éliminer la plupart des taches. Rincez au moyen d'un mélange à parts égales d'eau et d'ammoniaque. Au besoin, recouvrez les taches rebelles d'un papier essuie-tout trempé dans l'ammoniaque pendant 30 à 40 minutes. Rincez bien à l'eau claire avec un chiffon humide, puis frottez avec un tampon à récurer non abrasif, imbibé d'eau savonneuse. Rincez et séchez avec un chiffon propre. Ne laissez pas les renversements à fortes concentrations de sucre ou d'acide (comme le lait, les tomates, la choucroute, les jus de fruits ou la garniture pour tarte) sur la surface, car cela risque de produire des taches ternes, même après le nettoyage.
Intérieur du four	Pour l'intérieur du four, retirez le gros de la saleté de la sole du four avant de lancer l'autonettoyage. Nettoyez le cadre du four ainsi que le revêtement de la porte autour du joint de la porte. Assurez-vous de lire toutes les instructions de la section sur l'autonettoyage afin de prendre connaissance de précautions de nettoyage très importantes.
Grilles du four	Retirez les grilles de la cavité du four avant l'autonettoyage. Ensuite, nettoyez-les en utilisant un produit de nettoyage abrasif doux en suivant les instructions du fabricant. Rincez-les avec de l'eau propre, séchez-les, puis remettez-les dans le four.
Porte du four	Utilisez du savon et de l'eau pour bien nettoyer le dessus, les côtés et l'avant de la porte du four. Rincez bien. Vous pouvez utiliser un nettoyant pour vitres sur la fenêtre externe de la porte du four. Ne trempez pas la porte dans l'eau. Ne laissez pas d'eau ni de nettoyant pour vitres entrer dans les événements de la porte. N'utilisez pas de produits de nettoyage pour fours, de poudres à récurer ni d'autres produits de nettoyage puissants et abrasifs sur l'extérieur de la porte du four.
Surface de la table de cuisson Brûleurs de surface Grilles de brûleur	Ne pulvérisez pas de produit de nettoyage du four sur le dessus de la table de cuisson. Consultez les instructions de nettoyage de la table de cuisson et des grilles de brûleur dans la section « Entretien et nettoyage ».
Acier inoxydable (certains modèles)	Utilisez seulement des nettoyeurs et des produits à polir qui sont spécialement conçus pour le nettoyage de l'acier inoxydable. Frottez toujours dans le sens du grain du métal pour éviter de l'endommager. N'utilisez pas de produit de nettoyage à concentration élevée en chlore ou en chlorure. N'utilisez pas de produit de récurage fort. Procédez au polissage avec un chiffon non pelucheux. Assurez-vous d'essuyer l'excès de produit nettoyant/à polir de la surface métallique pour éviter la formation de taches bleuâtres qui ne pourront être enlevées lors du chauffage du four. Nettoyez les taches tenaces avec un chiffon et de l'eau savonneuse chaude. Rincez et séchez à l'aide d'un chiffon et d'eau propre.

Entretien et nettoyage

Nettoyage de la table de cuisson et des brûleurs de surface

⚠ ATTENTION Pour éviter les brûlures, **N'ESSAYEZ PAS** de suivre l'une ou l'autre des instructions de nettoyage de la table de cuisson avant d'éteindre tous les brûleurs de surface et de les avoir laissés refroidir.

⚠ ATTENTION Les ajouts, changements ou conversions requis doivent être faits par un technicien autorisé et qualifié afin de répondre de façon satisfaisante aux exigences d'utilisation.

Nettoyez la table de cuisson régulièrement. Essuyez-la avec un chiffon propre et humide, puis séchez-la pour éviter les égratignures.

Les gicleurs et les fentes doivent être propres pour empêcher un mauvais allumage et une flamme inégale. Veuillez vous reporter aux sections suivantes pour plus de détails.

Nettoyage des zones encastrées et concaves de la table de cuisson

Vous pouvez nettoyer les renversements sur les zones encastrées ou concaves en les épongeant avec un chiffon absorbant. Rincez avec un chiffon propre et humide, puis séchez.

Nettoyage des grilles de brûleur de surface

- Nettoyez seulement les grilles lorsqu'elles sont complètement froides.
- Utilisez un tampon à récurer non abrasif en plastique et un produit de nettoyage légèrement abrasif, ou nettoyez-les au lave-vaisselle.
- Les résidus d'aliments acides peuvent endommager le fini des grilles. Nettoyez-les immédiatement lorsque les grilles sont refroidies.
- Essuyez complètement les grilles immédiatement après le nettoyage.

Nettoyage des chapeaux de brûleur

- Enlevez les chapeaux des têtes des brûleurs lorsque ces derniers sont froids.
- Nettoyez les saletés incrustées à l'aide d'un tampon à récurer en plastique et d'un chiffon absorbant.
- Essuyez complètement les chapeaux des brûleurs immédiatement après leur nettoyage, y compris l'intérieur et la partie inférieure des chapeaux.
- N'utilisez pas de nettoyeurs abrasifs. Ceux-ci peuvent rayer l'émail.
- Ne lavez pas les chapeaux des brûleurs dans le lave-vaisselle.
- **N'utilisez pas les brûleurs de surface si les chapeaux des brûleurs ne sont pas correctement installés. Lisez les remarques importantes.**

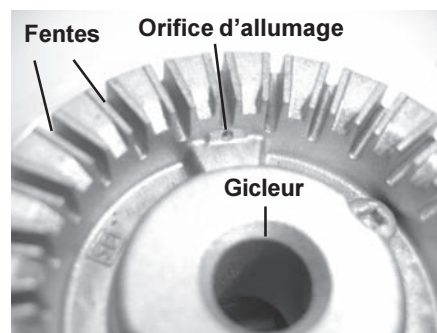


Fig. 1 - Tête de brûleur de la table de cuisson

Nettoyage des têtes de brûleur de surface

Pour que le débit de gaz soit approprié, il peut s'avérer nécessaire de nettoyer les têtes et les fentes des brûleurs. Pour le nettoyage, utilisez tout d'abord un chiffon propre et humide pour essuyer les renversements. Retirez tout résidu d'aliment situé entre les fentes des brûleurs en utilisant une petite brosse non abrasive, comme une brosse à dents, puis essuyez à l'aide d'un chiffon humide. Pour nettoyer les saletés tenaces, utilisez un fil métallique fin ou une aiguille.

Assurez-vous de bien nettoyer les résidus qui se trouvent sur l'électrode. Prenez soin de ne pas toucher l'électrode avec un objet dur pour ne pas l'endommager.

Nettoyage des orifices d'allumage des têtes de brûleur

Chaque brûleur comporte un petit orifice d'allumage (voir illustration). Si vous éprouvez des problèmes d'allumage, il est possible que cet orifice soit partiellement obstrué par des saletés. Avec la tête de brûleur en place, utilisez un fil métallique fin, une aiguille ou l'extrémité d'un trombone pour dégager l'orifice d'allumage (fig. 1; modèle rond illustré; brûleur central ovale de certains modèles non illustré).

Remarques importantes :

- Les têtes des brûleurs de surface sont fixées à la table de cuisson et doivent être nettoyées sur celle-ci.
- **Laissez toujours** le chapeau et la tête des brûleurs de surface en place **lorsqu'un brûleur est utilisé**.
- Lorsque vous remettez les chapeaux des brûleurs en place, assurez-vous qu'ils **reposent fermement sur les têtes des brûleurs**.
- Pour vous assurer que le débit de gaz des brûleurs et leur allumage sont appropriés, **NE LAISSEZ PAS** de renversements, de nourriture, de produits de nettoyage ni d'autres produits pénétrer dans l'ouverture du porte-gicleur.

Entretien et nettoyage

Nettoyage général

Consultez le **tableau des recommandations de nettoyage** de la section « Entretien et nettoyage » pour plus de détails sur le nettoyage de pièces spécifiques de la cuisinière.

⚠ ATTENTION Avant de nettoyer une partie de votre cuisinière à la main, assurez-vous que toutes les commandes sont **ÉTEINTES** et que la cuisinière a **REFROIDI**. Vous pourriez vous brûler si la cuisinière est encore chaude.

⚠ ATTENTION L'ammoniaque doit être rincée avant de vous servir du four. Aérez bien.

Papier d'aluminium et ustensiles

⚠ AVERTISSEMENT **NE RECOUVREZ JAMAIS les fentes, les trous ni les passages d'air au bas du four et ne recouvrez jamais une grille dans sa totalité avec du papier d'aluminium. Vous bloqueriez la circulation de l'air autour du four, ce qui pourrait entraîner une intoxication par MONOXYDE DE CARBONE. Le papier d'aluminium peut retenir la chaleur et présente un risque d'incendie.**

- **Papier d'aluminium** : L'utilisation du papier d'aluminium sur une table de cuisson chaude peut endommager celle-ci. N'utilisez pas d'ustensiles de cuisine en aluminium mince et ne laissez **EN AUCUN CAS** du papier d'aluminium toucher les brûleurs de surface.
- **Ustensiles en aluminium** : Le point de fusion de l'aluminium est de beaucoup inférieur à celui des autres métaux. Usez de prudence lorsque vous utilisez des casseroles et des ustensiles en aluminium sur la table de cuisson. Si vous laissez les casseroles en aluminium chauffer sans liquide sur la table de cuisson, elles pourraient être endommagées ou détruites.

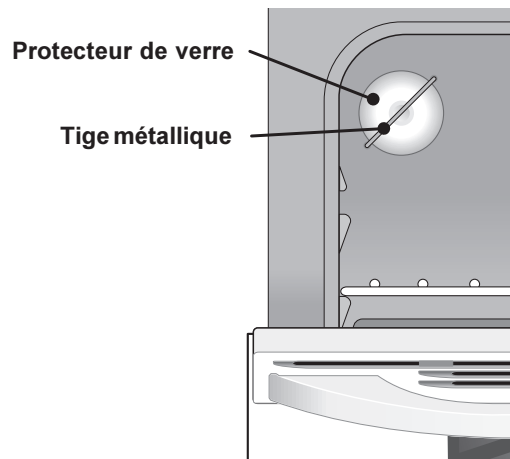
Remplacement de l'ampoule du four

⚠ ATTENTION Assurez-vous que la cuisinière est **débranchée** et que **toutes les pièces sont FROIDES** avant de **remplacer l'ampoule du four**. Portez un gant en cuir pour vous protéger contre le bris éventuel du verre.

La lampe du four est située à l'arrière de la cavité du four et elle est protégée par un globe de verre retenu par une tige métallique. Le protecteur en verre protège l'ampoule et doit toujours être en place lorsque le four fonctionne.

Pour remplacer l'ampoule de la lampe intérieure du four :

1. Coupez l'alimentation électrique ou débranchez la cuisinière.
2. Poussez la tige métallique d'un côté pour libérer le protecteur en verre qui recouvre l'ampoule.
3. Remplacez l'ampoule par une nouvelle ampoule de 40 W pour électroménagers.
4. Remettez le protecteur en verre par-dessus l'ampoule et enclenchez la tige métallique.
5. Mettez le courant (ou rebranchez l'appareil).
6. L'horloge doit alors être remise à l'heure. Pour ce faire, consultez la section **Réglage de l'horloge** dans le présent guide.



Entretien et nettoyage

Retrait et remise en place de la porte du four

⚠ ATTENTION Pour éviter les blessures lorsque vous retirez ou remplacez la porte du four, suivez **attentivement** les instructions et tenez toujours la porte du four ouverte **en éloignant vos mains des charnières**.

⚠ ATTENTION La porte est lourde. Pour la ranger de façon temporaire, mais sûre, posez-la à plat, l'intérieur de la porte vers le bas.

Pour retirer la porte du four :

1. Ouvrez complètement la porte du four (parallèlement au sol; fig. 1).
2. Abaissez les verrous des charnières de gauche et de droite du cadre de la cuisinière vers la porte du four (fig. 2). Vous pourriez avoir besoin d'un petit tournevis à tête plate.
3. Tenez fermement les deux côtés de la porte du four (n'utilisez pas la poignée de la porte; fig. 3).
4. Fermez la porte à la position d'arrêt pour gril (la porte du four arrête à cette position juste avant de se fermer complètement).
5. Lorsque la porte est à la position d'arrêt pour gril, soulevez les bras des charnières sur les tiges situées de chaque côté du cadre du four (fig. 4).

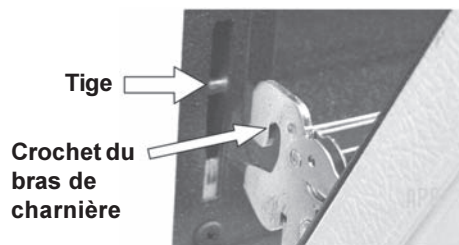
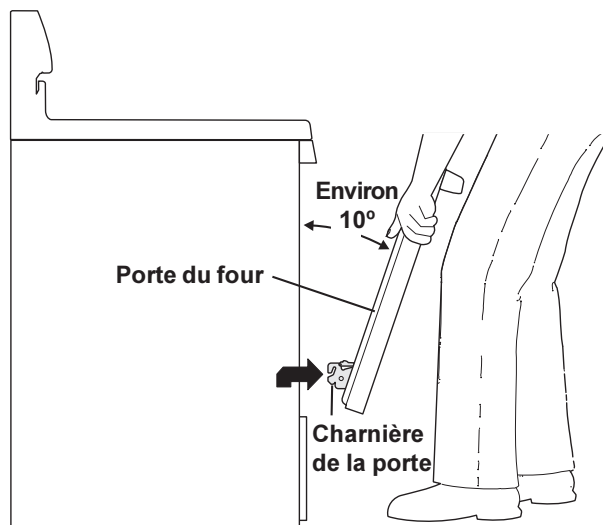
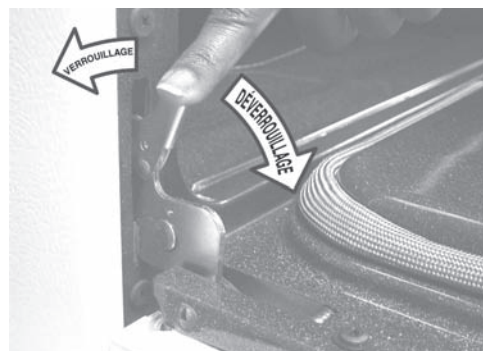
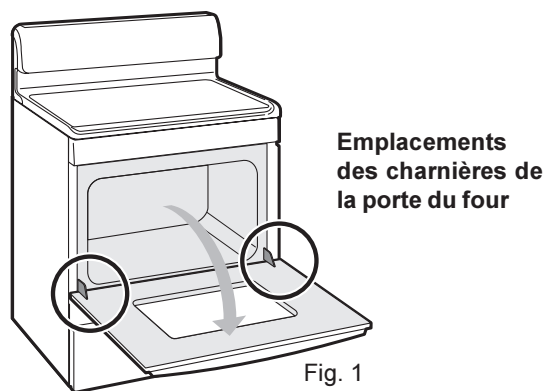
Pour remettre la porte du four en place :

1. Tenez fermement les deux côtés de la porte du four (n'utilisez pas la poignée de la porte; fig. 3).
2. En tenant la porte dans le même angle que pour le retrait, posez le crochet du bras de charnière sur les tiges situées de chaque côté du cadre de la porte (fig. 4). Le crochet des bras de charnière doit être bien assis sur les tiges.
3. Ouvrez complètement la porte du four (parallèlement au sol; fig. 1).
4. Poussez les verrous des charnières de droite et de gauche vers le haut (fig. 2) jusqu'à ce qu'ils soient en position verrouillée, puis refermez la porte du four.

Instructions spéciales pour l'entretien de la porte

La plupart des portes de four possèdent une vitre qui peut se casser. Lisez les recommandations suivantes :

- Ne fermez pas la porte du four tant que toutes les grilles ne sont pas bien en place à l'intérieur du four.
- Ne heurtez pas la vitre avec des casseroles, des ustensiles ou tout autre objet.
- Égratigner, cogner et frapper la vitre ou la soumettre à des tensions indues peut affaiblir sa structure et augmenter le risque de bris dans le futur.



Avant de faire appel au service après-vente • Solutions aux problèmes courants

Avant de faire une demande de service, consultez la liste suivante. Elle pourrait vous faire économiser temps et argent. Les solutions possibles sont fournies à la suite de la description du problème.

Problème	Solution
Mauvais résultats de cuisson.	De nombreux facteurs influent sur les résultats de cuisson. Assurez-vous d'utiliser la bonne position de grille. Centrez la nourriture dans le four et disposez les plats de façon à permettre une bonne circulation d'air. Laissez le four préchauffer à la température choisie avant d'y placer les aliments. Essayez d'ajuster la durée de cuisson ou la température recommandée dans la recette. Si vous pensez que le four est trop chaud ou pas assez, consultez la rubrique « Ajustement de la température du four » dans la section « Réglage des commandes du four ».
L'appareil n'est pas de niveau.	<ul style="list-style-type: none">• Assurez-vous que le sol est de niveau et qu'il peut supporter le poids de l'appareil.• Adressez-vous à un charpentier pour corriger l'affaissement ou la pente du plancher.• Mauvaise installation. Placez la grille du four au centre du four. Placez un niveau sur la grille. Réglez les pieds de mise à niveau de l'appareil jusqu'à l'obtention du bon niveau.• Des armoires mal alignées peuvent prêter à penser que la cuisinière n'est pas de niveau. Assurez-vous que les armoires sont à l'équerre et qu'il y a assez d'espace libre pour l'appareil.
La cuisinière est difficile à déplacer. La cuisinière doit être accessible en cas de réparation.	<ul style="list-style-type: none">• Les armoires ne sont pas à l'équerre ou sont trop serrées contre l'appareil. Adressez-vous à un ébéniste ou à un installateur pour qu'il apporte les modifications nécessaires.• La moquette gêne l'appareil. Laissez assez d'espace pour pouvoir soulever l'appareil par-dessus la moquette.• La conduite de gaz est trop rigide. Faites installer un raccord flexible en métal approuvé par le C.S.A. International et conçu pour les électroménagers.
Le four ne fonctionne pas.	<ul style="list-style-type: none">• Assurez-vous que la soupape de gaz du détendeur est OUVERTE. Reportez-vous aux instructions d'installation.• L'heure du jour n'est pas réglée. L'horloge doit d'abord être mise à l'heure pour que le four fonctionne. Reportez-vous à la rubrique « Réglage de l'horloge » de la section « Réglage des commandes du four ».• Assurez-vous que les commandes du four sont correctement réglées à la fonction souhaitée. Reportez-vous à la section « Réglage des commandes du four » de ce guide et lisez les instructions relatives à la fonction de cuisson désirée ou consultez la rubrique « La cuisinière ne fonctionne pas » de cette page.
La cuisinière ne fonctionne pas.	<ul style="list-style-type: none">• Assurez-vous que le cordon d'alimentation est bien branché dans la prise.• Panne de courant. Vérifiez l'éclairage de la maison pour vous en assurer. Appelez la compagnie d'électricité de votre région pour de l'information sur les coupures de courant.• Le câblage n'est pas complet. Reportez-vous à la section Assistance ou service après-vente de ce guide pour les coordonnées du service après-vente.
Les commandes du four émettent un signal sonore et affichent un code d'erreur comportant la lettre F.	Le système de commande de four a décelé une défectuosité ou une anomalie. Appuyez sur la touche OFF (arrêt) pour effacer le code d'erreur. Essayez la fonction de cuisson au four ou de gril. Si le code d'erreur comportant la lettre F réapparaît, coupez l'alimentation électrique de l'appareil, attendez 5 minutes, puis rebranchez l'appareil et réglez l'heure. Essayez une nouvelle fois la fonction de cuisson au four ou de gril. Si la défectuosité se reproduit, appuyez sur OFF (arrêt) pour effacer le code d'erreur et reportez-vous à la section Assistance ou service après-vente de ce guide pour obtenir les coordonnées du service après-vente.

Avant de faire appel au service après-vente • Solutions aux problèmes courants

Problème	Solution
Le four dégage beaucoup de fumée durant la cuisson au gril.	<ul style="list-style-type: none">• Réglage incorrect. Suivez les instructions pour la cuisson au gril dans la section « Réglage des commandes du four ».• Assurez-vous que la porte du four est fermée lors de la cuisson au gril.• La viande est placée trop proche du brûleur supérieur. Changez la position de la grille en laissant plus de place entre la viande et le brûleur supérieur. Préchauffez le four lorsque vous voulez saisir des aliments.• La viande n'est pas correctement préparée. Enlevez l'excédent de gras. Taillez les bords de gras restants pour qu'ils ne se soulèvent pas, sans couper dans le maigre.• La graisse s'est accumulée sur les surfaces du four. Un nettoyage régulier est nécessaire si vous utilisez fréquemment la cuisson au gril. La graisse accumulée et les débordements produisent une fumée excessive.
Flammes à l'intérieur du four ou fumée sortant de l'orifice de ventilation.	Il y a eu des renversements excessifs dans le four. Cette situation peut se produire lorsque des tartes débordent ou que de grandes quantités de graisse ont été laissées sur la sole du four. Essayez les débordements excessifs avant de mettre le four en marche. Si des flammes ou une fumée excessive se forment, reportez-vous à la rubrique « Gril » de la section « Réglage des commandes du four ».
Le ventilateur de convection ne tourne pas.	<ul style="list-style-type: none">• Allouez 6 minutes pour que le ventilateur de convection commence à tourner après le réglage de la cuisson à convection.• La porte du four est ouverte. Le ventilateur de convection s'éteint lorsque la porte du four est ouverte et que la convection est activée. Fermez la porte du four.
La fonction d'autonettoyage ne fonctionne pas.	Les commandes du four ne sont pas correctement réglées. Lisez les instructions de la section sur l'autonettoyage.
Il reste de la saleté après le cycle d'autonettoyage.	<ul style="list-style-type: none">• Le cycle d'autonettoyage a été interrompu. Lisez les instructions de la section sur l'autonettoyage.• Il y a trop de résidus de cuisson sur la sole du four. Éliminez-les avant d'utiliser la fonction d'autonettoyage.• Vous n'avez pas bien nettoyé la saleté qui se trouve sur le cadre de la porte du four, autour du joint et la petite surface située au centre, à l'avant de la sole du four. Ces endroits ne sont pas nettoyés au cours de l'autonettoyage, mais deviennent assez chauds pour cuire les résidus d'aliments. Nettoyez-les avant l'autonettoyage. Les résidus qui ont cuit sur place peuvent être nettoyés avec une brosse en nylon dur et de l'eau ou avec un tampon à récurer en nylon. Prenez garde de ne pas endommager le joint de la porte.
Grilles du four décolorées.	Les grilles ont été laissées à l'intérieur du four lors de l'autonettoyage. Retirez toujours les grilles de la cavité du four avant de commencer un cycle d'autonettoyage. Ensuite, nettoyez-les en utilisant un produit de nettoyage abrasif doux en suivant les instructions du fabricant. Rincez-les avec de l'eau propre, séchez-les et remettez-les dans le four.
L'éclairage du four ne fonctionne pas.	Assurez-vous que l'ampoule du four est bien fixée dans la douille. Consultez également le paragraphe « Remplacement de l'ampoule du four » de la section « Entretien et nettoyage ».

Avant de faire appel au service après-vente • Solutions aux problèmes courants

Problème	Solution
Les brûleurs de surface ne s'allument pas.	<ul style="list-style-type: none">• Le bouton de commande n'est pas complètement tourné à la position LITE (allumage). Enfoncez le bouton de commande et tournez-le jusqu'à la position LITE (allumage) pour que le brûleur s'allume, puis tournez le bouton pour ajuster la dimension de la flamme.• Les orifices des brûleurs sont obstrués. ÉTEIGNEZ le brûleur, puis utilisez une aiguille ou un fil métallique fin pour nettoyer les fentes des têtes des brûleurs et orifices d'allumage. Pour de plus amples instructions sur le nettoyage, reportez-vous à la partie « Nettoyage de la table de cuisson et des brûleurs de surface » de la section « Entretien et nettoyage ».• Le cordon d'alimentation de la cuisinière n'est pas branché (modèles à allumage électrique seulement). Assurez-vous que le cordon d'alimentation est bien branché dans la prise électrique.• Panne de courant. Les brûleurs peuvent être allumés manuellement. Reportez-vous à la section « Réglage des commandes des brûleurs de surface ».
La flamme ne fait pas tout le tour du chapeau du brûleur.	<ul style="list-style-type: none">• Les fentes des brûleurs sont obstruées. Lorsque le brûleur de surface est ÉTEINT, débouchez les orifices à l'aide d'un fil métallique fin ou d'une aiguille.• Il reste de l'humidité après le nettoyage. Ventilez légèrement la flamme et laissez le brûleur fonctionner jusqu'à ce que la flamme soit complète.
La flamme est orange.	Des particules de poussière se trouvent dans la conduite de gaz principale. Laissez le brûleur fonctionner quelques minutes jusqu'à ce que la flamme devienne bleue. Dans les régions côtières, l'air salin produit inévitablement une flamme légèrement orangée.

Assistance ou service après-vente

Avant de faire appel au service après-vente, veuillez consulter la section « Dépannage ». Cela pourrait vous faire épargner les frais d'un appel de service. Si vous désirez tout de même recevoir de l'aide, veuillez suivre les instructions suivantes.

Lors de votre appel, veuillez avoir en main les renseignements concernant la date d'achat de votre appareil, le numéro de modèle et le numéro de série. Ces renseignements nous aideront à mieux répondre à votre demande.

Si vous avez besoin de pièces de rechange

Si vous devez remplacer des pièces de la cuisinière, nous vous conseillons de n'utiliser que des pièces spécifiées par l'usine. Ces pièces spécifiées par l'usine s'ajusteront parfaitement à votre appareil et fonctionneront correctement, car elles ont été fabriquées avec la même précision que celles qui équipent chaque nouvel électroménager KITCHENAID®.

Pour trouver des pièces spécifiées par l'usine dans votre région, appelez-nous ou appelez le centre de service autorisé KitchenAid le plus près.

Aux États-Unis

Appelez sans frais le centre pour l'eXperience de la clientèle KitchenAid au numéro : **1 800 422-1230**.

Nos conseillers pourront :

- Vous fournir les caractéristiques et spécifications de toute la gamme de nos électroménagers.
- Vous donner des renseignements relatifs à l'installation.
- Vous fournir les consignes d'utilisation et d'entretien.
- Vous renseigner sur l'achat d'accessoires et de pièces de rechange.
- Vous offrir un service à la clientèle adapté à vos besoins (personnes parlant l'espagnol, personnes malentendantes ou souffrant de problèmes de la vue, etc.).
- Vous donner les coordonnées des détaillants locaux, des distributeurs de pièces de rechange et des entreprises de réparation. Les techniciens de service désignés par KitchenAid sont formés pour remplir les exigences des garanties offertes avec nos produits et pour fournir un service après la garantie, partout aux États-Unis.

Pour trouver une entreprise de réparation désignée par KitchenAid dans votre région, vous pouvez également consulter votre répertoire téléphonique des Pages Jaunes.

Pour de l'aide supplémentaire

S'il vous faut de l'aide supplémentaire, vous pouvez faire parvenir vos questions ou vos préoccupations par écrit à KitchenAid à l'adresse :

KitchenAid Brand Home Appliances
Customer eXperience Center
553 Benson Road
Benton Harbor, MI 49022-2692, USA

Veuillez inclure dans votre lettre un numéro de téléphone qui nous permettrait de communiquer avec vous pendant la journée.

Accessoires

Accessoires aux États-Unis

Pour commander des accessoires, appelez le centre pour l'eXperience de la clientèle KitchenAid au numéro sans frais **1 800 422-1230** et suivez les instructions du menu. Ou visitez notre site Web à l'adresse www.KitchenAid.com et cliquez sur « Accessories ». Des appareils portatifs, des ustensiles de cuisson et de cuisine, des gadgets et des vêtements pour la cuisine sont également disponibles.

Nettoyant et poli pour acier inoxydable KitchenAid®

(pour les appareils en acier inoxydable)

Numéro de pièce 4396920

Chiffons pour acier inoxydable KitchenAid®

(pour les appareils en acier inoxydable)

Numéro de pièce 8212510

Nettoyant de table de cuisson

(pour les surfaces de table de cuisson en porcelaine ou en verre)

Numéro de pièce 31464

Protecteur de table de cuisson

(pour les surfaces de table de cuisson en porcelaine ou en verre)

Numéro de pièce 31463

Grattoir pour table de cuisson

(pour les tables de cuisson en vitrocéramique)

Numéro de pièce WA906B

Pierre à pizza

Numéro de pièce 4378577

Au Canada

Appelez sans frais le centre pour l'eXperience de la clientèle KitchenAid Canada au numéro : **1 800 807-6777**.

Nos conseillers pourront :

- Vous fournir les caractéristiques et spécifications de toute la gamme de nos électroménagers.
- Vous fournir les consignes d'utilisation et d'entretien.
- Vous renseigner sur l'achat d'accessoires et de pièces de rechange.
- Vous donner les coordonnées des détaillants locaux, des distributeurs de pièces de rechange et des entreprises de réparation. Les techniciens de service désignés par KitchenAid sont formés pour remplir les exigences des garanties offertes avec nos produits et pour fournir un service après la garantie, partout au Canada.

Pour de l'aide supplémentaire

S'il vous faut de l'aide supplémentaire, vous pouvez faire parvenir vos questions ou vos commentaires par écrit à KitchenAid Canada à l'adresse :

Centre pour l'eXperience de la clientèle
KitchenAid Canada
200 - 6750 Century Ave
Mississauga, Ontario L5N 0B7

Veuillez inclure dans votre lettre un numéro de téléphone qui nous permettrait de communiquer avec vous pendant la journée.

GARANTIE DE LA CUISINIÈRE À GAZ KITCHENAID®

GARANTIE LIMITÉE

Pendant un an à compter de la date d'achat, lorsque ce gros appareil électroménager est utilisé et entretenu conformément aux instructions jointes ou fournies avec le produit, la marque KitchenAid de Whirlpool Corporation ou Whirlpool Canada LP (ci-après désignées « KitchenAid ») paiera pour les pièces spécifiées par l'usine et la main-d'oeuvre pour corriger les vices de matériaux ou de fabrication. Le service doit être fourni par une entreprise de service désignée par KitchenAid. Cette garantie limitée est valide uniquement aux États-Unis et au Canada et s'applique exclusivement lorsque l'appareil est utilisé dans le pays où il a été acheté. À l'extérieur du Canada et des 50 États des États-Unis, cette garantie limitée ne s'applique pas. Une preuve de la date d'achat original est exigée pour obtenir un service dans le cadre de la présente garantie limitée.

GARANTIE LIMITÉE DE LA DEUXIÈME À LA CINQUIÈME ANNÉE INCLUSIVEMENT SUR CERTAINES PIÈCES

De la deuxième à la cinquième année inclusivement à compter de la date d'achat, lorsque cet appareil électroménager est utilisé et entretenu conformément aux instructions jointes ou fournies avec le produit, KitchenAid paiera pour les pièces spécifiées par l'usine pour les composants suivants, en cas de vices de matériaux ou de fabrication :

n Tous les brûleurs

n Pièces du système de commande à semi-conducteurs

ÉLÉMENTS EXCLUS DE LA GARANTIE

La présente garantie limitée ne couvre pas :

1. Les visites de service pour rectifier l'installation du gros appareil électroménager, montrer à l'utilisateur comment utiliser l'appareil, remplacer ou réparer des fusibles ou rectifier le câblage ou la plomberie du domicile.
2. Les appels de service concernant la réparation ou le remplacement des ampoules, des filtres à air ou des filtres à eau. Les pièces consommables ne sont pas couvertes par la garantie.
3. Les réparations lorsque le gros appareil électroménager est utilisé à des fins autres que l'usage unifamilial normal ou lorsque les instructions d'installation et/ou les instructions de l'opérateur ou de l'utilisateur fournies ne sont pas respectées.
4. Les dommages imputables à un accident, une modification, un usage impropre ou abusif, un incendie, une inondation, une catastrophe naturelle, une mauvaise installation, une installation non conforme aux codes de l'électricité ou de la plomberie, ou l'utilisation de pièces consommables ou de produits nettoyants non approuvés par KitchenAid.
5. Les défauts esthétiques, notamment les éraflures, les bosses, les fissures ou tout autre dommage au fini du gros appareil électroménager, à moins que ces dommages soient dus à des vices de matériaux ou de fabrication et soient signalés à KitchenAid dans les 30 jours suivant la date d'achat.
6. Les coûts associés au transport du gros appareil électroménager de votre domicile à un service de réparation. Ce gros appareil électroménager est conçu pour être réparé à domicile et seul le service à domicile est couvert par la présente garantie.
7. Les réparations aux pièces ou aux systèmes résultant d'une modification non autorisée faite à l'appareil.
8. Les frais de transport pour le service d'un produit si votre gros appareil électroménager est situé dans une région éloignée où un service d'entretien KitchenAid autorisé n'est pas disponible.
9. La dépose et la réinstallation de votre gros appareil électroménager si celui-ci est installé dans un endroit inaccessible ou n'est pas installé conformément aux instructions d'installation fournies.
10. Les gros appareils électroménagers dont les numéros de série et de modèle originaux ont été enlevés, modifiés ou qui ne peuvent pas être facilement identifiés. La présente garantie est nulle si le numéro de série d'usine a été modifié ou enlevé du gros appareil ménager.

Le coût d'une réparation ou d'un remplacement dans le cadre de ces circonstances exclues de la garantie est à la charge du client.

AVERTISSEMENT CONCERNANT LES GARANTIES IMPLICITES; LIMITATIONS DES RECOURS

L'UNIQUE RECOURS DU CLIENT EN VERTU DE CETTE GARANTIE LIMITÉE EST LA RÉPARATION DU PRODUIT COMME DÉCRIT PRÉCÉDEMMENT. LES GARANTIES IMPLICITES, Y COMPRIS LES GARANTIES DE QUALITÉ MARCHANDE ET D'ADAPTATION À UN USAGE PARTICULIER, SONT LIMITÉES À UN AN OU À LA PÉRIODE LA PLUS COURTE PERMISE PAR LA LOI. KITCHENAID NE PEUT ÊTRE TENU RESPONSABLE DES DOMMAGES FORTUITS OU INDIRECTS. CERTAINS ÉTATS ET CERTAINES PROVINCES NE PERMETTENT AUCUNE RESTRICTION OU EXEMPTION SUR LES DOMMAGES FORTUITS OU INDIRECTS DE LA DURÉE DES GARANTIES IMPLICITES DE QUALITÉ MARCHANDE OU D'APTITUDE À UN USAGE PARTICULIER, DE SORTE QUE CES EXCLUSIONS OU LIMITATIONS PEUVENT NE PAS S'APPLIQUER À VOUS. CETTE GARANTIE VOUS CONFÈRE DES DROITS JURIDIQUES SPÉCIFIQUES ET VOUS POUVEZ ÉGALEMENT JOUIR D'AUTRES DROITS QUI PEUVENT VARIER D'UN ÉTAT OU D'UNE PROVINCE À L'AUTRE.

Si vous résidez à l'extérieur du Canada et des 50 États des États-Unis, communiquez avec votre marchand KitchenAid autorisé pour déterminer si une autre garantie s'applique.

Si vous avez besoin de service, consultez d'abord la section « Dépannage » du Guide d'utilisation et d'entretien. Si, après avoir consulté la section « Dépannage », le problème n'est pas résolu, vous pouvez obtenir de l'aide supplémentaire en consultant la section « Assistance ou service après-vente » ou en appelant KitchenAid. Aux É.-U., composez le **1 800 422-1230**. Au Canada, composez le **1 800 807-6777**.