

INSTALLATION INSTRUCTIONS 30" (76.2 CM) FREESTANDING GAS RANGES

INSTRUCTIONS D'INSTALLATION DES CUISINIÈRES À GAZ AUTOPORTANTES DE 30" (76,2 CM)

Table of Contents/Table des matières

RANGE SAFETY	2	SÉCURITÉ DE LA CUISINIÈRE	20
INSTALLATION REQUIREMENTS	3	EXIGENCES D'INSTALLATION	22
Tools and Parts.....	3	Outillage et pièces.....	22
Location Requirements	4	Exigences d'emplacement.....	22
Electrical Requirements.....	5	Spécifications électriques.....	24
Gas Supply Requirements.....	6	Spécifications de l'alimentation en gaz	24
INSTALLATION INSTRUCTIONS	7	INSTRUCTIONS D'INSTALLATION	26
Unpack Range.....	7	Déballage de la cuisinière	26
Install Anti-Tip Bracket	8	Installation de la bride antibasculement	26
Make Gas Connection.....	8	Raccordement à la canalisation de gaz.....	27
Verify Anti-Tip Bracket Is Installed and Engaged.....	10	Vérifier que la bride antibasculement est bien installée et engagée	28
Level Range	10	Réglage de l'aplomb de la cuisinière.....	29
Electronic Ignition System.....	11	Système d'allumage électronique	29
Warming Drawer or Premium Storage Drawer	12	Tiroir-réchaud ou tiroir de remisage de qualité supérieure.....	31
Storage Drawer.....	13	Tiroir de remisage	32
Oven Door.....	13	Porte du four	32
Complete Installation.....	13	Achever l'installation	33
GAS CONVERSIONS	14	CONVERSIONS POUR CHANGEMENT DE GAZ	34
LP Gas Conversion.....	14	Conversion pour l'alimentation au propane	34
Natural Gas Conversion	17	Conversion pour l'alimentation au gaz naturel.....	37

IMPORTANT:

Installer: Leave installation instructions with the homeowner.

Homeowner: Keep installation instructions for future reference.

IMPORTANT :

Installateur : Remettre les instructions d'installation au propriétaire.

Propriétaire : Conserver les instructions d'installation pour référence ultérieure.

RANGE SAFETY

Your safety and the safety of others are very important.

We have provided many important safety messages in this manual and on your appliance. Always read and obey all safety messages.



This is the safety alert symbol.

This symbol alerts you to potential hazards that can kill or hurt you and others.

All safety messages will follow the safety alert symbol and either the word “DANGER” or “WARNING.”

These words mean:

⚠ DANGER

You can be killed or seriously injured if you don't immediately follow instructions.

⚠ WARNING

You can be killed or seriously injured if you don't follow instructions.

All safety messages will tell you what the potential hazard is, tell you how to reduce the chance of injury, and tell you what can happen if the instructions are not followed.

WARNING: If the information in this manual is not followed exactly, a fire or explosion may result causing property damage, personal injury or death.

- Do not store or use gasoline or other flammable vapors and liquids in the vicinity of this or any other appliance.
- **WHAT TO DO IF YOU SMELL GAS:**
 - Do not try to light any appliance.
 - Do not touch any electrical switch.
 - Do not use any phone in your building.
 - Immediately call your gas supplier from a neighbor's phone. Follow the gas supplier's instructions.
 - If you cannot reach your gas supplier, call the fire department.
- Installation and service must be performed by a qualified installer, service agency or the gas supplier.

WARNING: Gas leaks cannot always be detected by smell.

Gas suppliers recommend that you use a gas detector approved by UL or CSA.

For more information, contact your gas supplier.

If a gas leak is detected, follow the “What to do if you smell gas” instructions.

IMPORTANT: Do not install a ventilation system that blows air downward toward this gas cooking appliance. This type of ventilation system may cause ignition and combustion problems with this gas cooking appliance resulting in personal injury or unintended operation.

In the State of Massachusetts, the following installation instructions apply:

- Installations and repairs must be performed by a qualified or licensed contractor, plumber, or gasfitter qualified or licensed by the State of Massachusetts.
- If using a ball valve, it shall be a T-handle type.
- A flexible gas connector, when used, must not exceed 3 feet.

⚠ WARNING

Tip Over Hazard

A child or adult can tip the range and be killed.

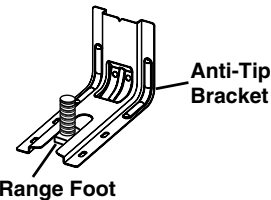
Install anti-tip bracket to floor or wall per installation instructions.

Slide range back so rear range foot is engaged in the slot of the anti-tip bracket.

Re-engage anti-tip bracket if range is moved.

Do not operate range without anti-tip bracket installed and engaged.

Failure to follow these instructions can result in death or serious burns to children and adults.



To verify the anti-tip bracket is installed and engaged:

- Slide range forward.
- Look for the anti-tip bracket securely attached to floor or wall.
- Slide range back so rear range foot is under anti-tip bracket.
- See installation instructions for details.

INSTALLATION REQUIREMENTS

Tools and Parts

Gather the required tools and parts before starting installation. Read and follow the instructions provided with any tools listed here.

Tools Needed

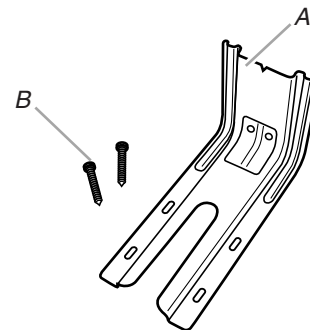
- Tape measure
- Flat-blade screwdriver
- Phillips screwdriver
- Level
- Hand or electric drill
- Wrench or pliers
- Pipe wrench
- 1 $\frac{5}{16}$ " combination wrench
- 1 $\frac{1}{4}$ " drive ratchet
- 3 $\frac{3}{8}$ " nut driver
- 1 $\frac{1}{8}$ " (3.2 mm) drill bit (for wood floors)
- Marker or pencil
- Pipe-joint compound resistant to LP gas
- Noncorrosive leak-detection solution

For LP/Natural Gas Conversions

- 3 $\frac{3}{8}$ " combination wrench
- 1 $\frac{1}{2}$ " combination wrench
- 5 $\frac{1}{8}$ " combination wrench
- 7 mm (9 $\frac{3}{32}$ ") nut driver
- Quadrex®† or Phillips screwdriver
- Masking tape

Parts Supplied

Check that all parts are included.



A. Anti-tip bracket
B. #12 x 1 $\frac{5}{8}$ " screws (2)

- Anti-tip bracket must be securely mounted to floor or wall. Thickness of flooring may require longer screws to anchor bracket to floor.

Parts Needed

Check local codes and consult gas supplier. Check existing gas supply and electrical supply. See "Electrical Requirements" and "Gas Supply Requirements" sections.

Location Requirements

IMPORTANT: Observe all governing codes and ordinances. Do not obstruct flow of combustion and ventilation air.

- It is the installer's responsibility to comply with installation clearances specified on the model/serial/rating plate. The model/serial/rating plate is located on the oven frame behind the top right-hand side of the oven door.
- Recessed installations must provide complete enclosure of the sides and rear of the range.
- All openings in the wall or floor where range is to be installed must be sealed.
- Do not seal the range to the side cabinets.
- Cabinet opening dimensions that are shown must be used. Given dimensions are minimum clearances.
- The floor anti-tip bracket must be installed. To install the anti-tip bracket shipped with the range, see "Install Anti-Tip Bracket" section.
- Grounded electrical supply is required. See "Electrical Requirements" section.
- Proper gas supply connection must be available. See "Gas Supply Requirements" section.
- Contact a qualified floor covering installer to check that the floor covering can withstand at least 200°F (93°C).
- Use an insulated pad or ¼" (0.64 cm) plywood under range if installing range over carpeting.

IMPORTANT: To avoid damage to your cabinets, check with your builder or cabinet supplier to make sure that the materials used will not discolor, delaminate or sustain other damage. This oven has been designed in accordance with the requirements of UL and CSA International and complies with the maximum allowable wood cabinet temperatures of 194°F (90°C).

Mobile Home - Additional Installation Requirements

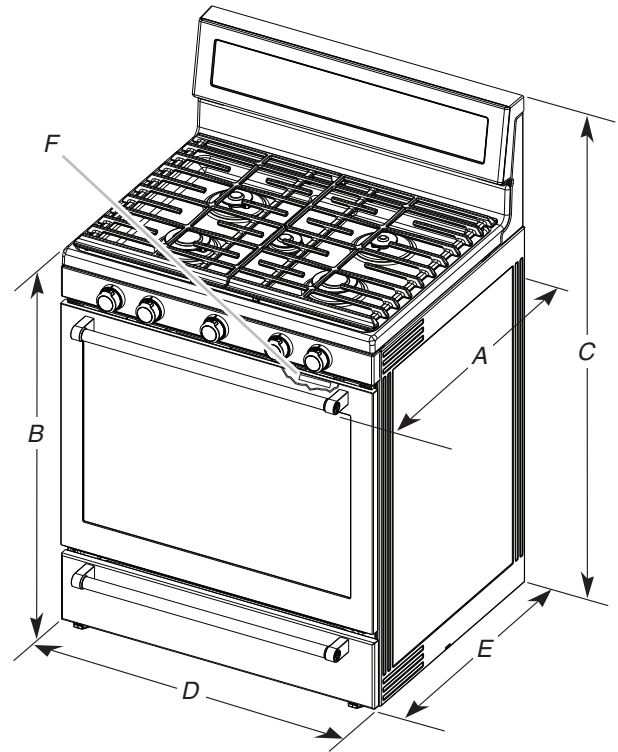
The installation of this range must conform to the Manufactured Home Construction and Safety Standard, Title 24 CFR, Part 3280 (formerly the Federal Standard for Mobile Home Construction and Safety, Title 24, HUD Part 280). When such standard is not applicable, use the Standard for Manufactured Home Installations, ANSI A225.1/NFPA 501A or with local codes.

In Canada, the installation of this range must conform with the current standards CAN/CSA-Z240 - latest edition, or with local codes.

Mobile Home Installations Require:

- When this range is installed in a mobile home, it must be secured according to the instructions in this document.

Product Dimensions



- A. 27 $\frac{7}{8}$ " (70.8 cm) max. depth with handle
- B. 36" (91.4 cm) cooktop height (max.) with leveling legs screwed in all the way*
- C. 47 $\frac{1}{8}$ " (119.7 cm) overall height (max.) with leveling legs screwed in all the way*
- D. 29 $\frac{7}{8}$ " (75.9 cm) width
- E. 25 $\frac{7}{8}$ " (64.6 cm) depth. Back of range to front of cooktop**
- F. Model/serial/rating plate (located on the oven frame behind the top right-hand side of the oven door)

IMPORTANT: Range must be level after installation. Follow the instructions in the "Level Range" section. Using the cooktop as a reference for leveling the range is not recommended.

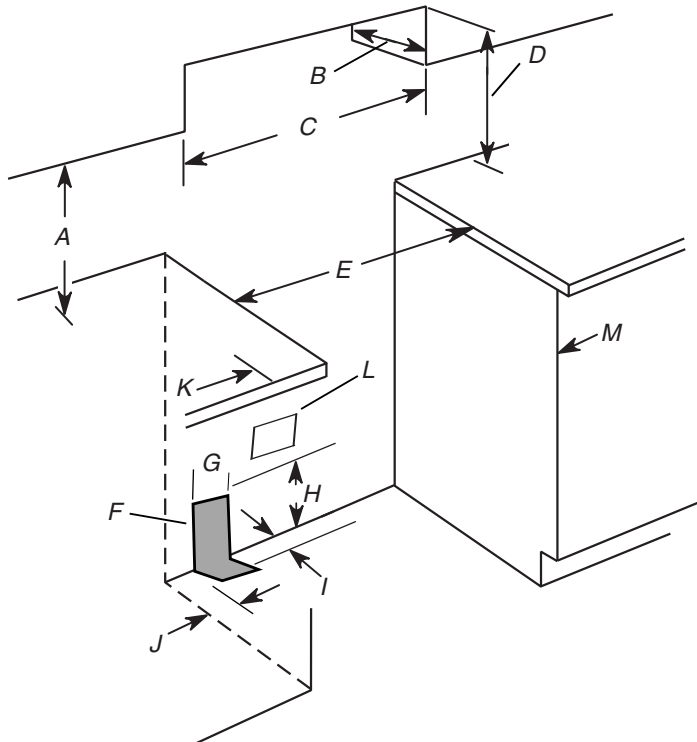
*Range can be raised approximately 1" (2.5 cm) by adjusting the leveling legs.

**Front of door and drawer may extend farther forward, depending on styling.

Cabinet Dimensions

Cabinet opening dimensions shown are for 25" (64.0 cm) countertop depth, 24" (61.0 cm) base cabinet depth and 36" (91.4 cm) countertop height.

IMPORTANT: If installing a range hood or microwave hood combination above the range, follow the range hood or microwave hood combination installation instructions for dimensional clearances above the cooktop surface.



- A. 18" (45.7 cm) upper side cabinet to countertop
- B. 13" (33 cm) max. upper cabinet depth
- C. 30" (76.2 cm) min. opening width
- D. For minimum clearance to top of cooktop, see NOTE*.
- E. In U.S.A.: 30 1/8" (76.5 cm) min. opening width
- F. The shaded areas are recommended for installation of rigid gas pipe.
- G. 11" (27.9 cm)
- H. 17" (43.2 cm)
- I. 2" (5.1 cm)
- J. 4 1/2" (11.4 cm)
- K. 3" (7.6 cm) min. clearance from both sides of range to side wall or other combustible material.
- L. Grounded outlet
- M. Cabinet door or hinges should not extend into the cutout.

*NOTE: 24" (61.0 cm) minimum when bottom of wood or metal cabinet is covered by not less than 1/4" (0.64 cm) flame retardant millboard covered with not less than No. 28 MSG sheet steel, 0.015" (0.4 mm) stainless steel, 0.024" (0.6 mm) aluminum or 0.020" (0.5 mm) copper.

30" (76.2 cm) minimum clearance between the top of the cooking platform and the bottom of an uncovered wood or metal cabinet.

Electrical Requirements

⚠ WARNING



Electrical Shock Hazard

Plug into a grounded 3 prong outlet.

Do not remove ground prong.

Do not use an adapter.

Do not use an extension cord.

Failure to follow these instructions can result in death, fire, or electrical shock.

IMPORTANT: The range must be electrically grounded in accordance with local codes and ordinances, or in the absence of local codes, with the National Electrical Code, ANSI/NFPA 70 or Canadian Electrical Code, CSA C22.1.

This range is equipped with an electronic ignition system that will not operate if plugged into an outlet that is not properly polarized. If codes permit and a separate ground wire is used, it is recommended that a qualified electrical installer determine that the ground path is adequate.

A copy of the above code standards can be obtained from:

National Fire Protection Association
1 Batterymarch Park
Quincy, MA 02169-7471
CSA International
8501 East Pleasant Valley Road
Cleveland, OH 44131-5575

- A 120 volt, 60 Hz., AC only, 15-amp fused, electrical circuit is required. A time-delay fuse or circuit breaker is also recommended. It is recommended that a separate circuit serving only this range be provided.
- Electronic ignition systems operate within wide voltage limits, but proper grounding and polarity are necessary. Check that the outlet provides 120-volt power and is correctly grounded.
- This gas range is not required to be plugged into a GFCI (Ground-Fault Circuit Interrupter) outlet. It is recommended that you not plug an electric spark ignition gas range or any other major appliance into a GFCI wall outlet as it may cause the GFCI to trip during normal cycling.
- Performance of this range will not be affected if operated on a GFCI-protected circuit. However, occasional nuisance tripping of the GFCI breaker is possible due to the normal operating nature of electronic gas ranges.
- The wiring diagram is located on the back of the range in a clear plastic bag.

NOTE: The metal chassis of the range must be grounded in order for the control panel to work. If the metal chassis of the range is not grounded, no keypads will operate. Check with a qualified electrician if you are in doubt as to whether the metal chassis of the range is grounded.

Gas Supply Requirements

⚠ WARNING



Explosion Hazard

Use a new CSA International approved gas supply line.

Install a shut-off valve.

Securely tighten all gas connections.

If connected to LP, have a qualified person make sure gas pressure does not exceed 14" (36 cm) water column.

Examples of a qualified person include:

**licensed heating personnel,
authorized gas company personnel, and
authorized service personnel.**

Failure to do so can result in death, explosion, or fire.

Observe all governing codes and ordinances.

IMPORTANT: This installation must conform with all local codes and ordinances. In the absence of local codes, installation must conform with American National Standard, National Fuel Gas Code ANSI Z223.1 - latest edition or CAN/CGA B149 - latest edition.

IMPORTANT: Leak testing of the range must be conducted according to the manufacturer's instructions.

Type of Gas

Natural Gas:

This range is design-certified by CSA International for use with Natural gas or, after proper conversion, for use with LP gas.

- This range is factory-set for use with Natural gas. See "Gas Conversions" section. The model/serial/rating plate located on the oven frame behind the top right-hand side of the oven door has information on the types of gas that can be used. If the types of gas listed do not include the type of gas available, check with the local gas supplier.

LP Gas Conversion:

Conversion must be done by a qualified service technician.

No attempt shall be made to convert the appliance from the gas specified on the model/serial/rating plate for use with a different gas without consulting the serving gas supplier. See "Gas Conversions" section.

Gas Supply Line

- Provide a gas supply line of 3/4" (1.9 cm) rigid pipe to the range location. A smaller size pipe on longer runs may result in insufficient gas supply. With LP gas, piping or tubing size can be 1/2" (1.3 cm) minimum. Usually, LP gas suppliers determine the size and materials used in the system.

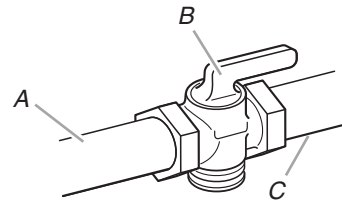
NOTE: Pipe-joint compounds that resist the action of LP gas must be used. Do not use TEFLON^{®†} tape.

Flexible Metal Appliance Connector:

- If local codes permit, a new CSA design-certified, 4 to 5 ft (122 to 152.4 cm) long, 1/2" or 3/4" (1.3 or 1.9 cm) I.D. (inside diameter), flexible metal appliance connector may be used for connecting range to the gas supply line.



- A 1/2" (1.3 cm) male pipe thread is needed for connection to the female pipe threads of the inlet to the appliance pressure regulator.
- Do not kink or damage the flexible metal tubing when moving the range.
- Must include a shutoff valve:
The supply line must be equipped with a manual shutoff valve. This valve should be located in the same room but external to the range opening, such as an adjacent cabinet. It should be in a location that allows ease of opening and closing. Do not block access to shutoff valve. The valve is for turning on or shutting off gas to the range.



A. Gas supply line
B. Shutoff valve "open" position
C. To range

Gas Pressure Regulator

The gas pressure regulator supplied with this range must be used. The inlet pressure to the regulator should be as follows for proper operation:

Natural Gas:

Minimum pressure: 5" WCP

Maximum pressure: 14" WCP

LP Gas:

Minimum pressure: 11" WCP

Maximum pressure: 14" WCP

Contact local gas supplier if you are not sure about the inlet pressure.

Burner Input Requirements

Input ratings shown on the model/serial/rating plate are for elevations up to 2,000 ft (609.6 m).

For elevations above 2,000 ft (609.6 m), ratings are reduced at a rate of 4% for each 1,000 ft (304.8 m) above sea level (not applicable for Canada).

Gas Supply Pressure Testing

Gas supply pressure for testing regulator must be at least 1" water column pressure above the manifold pressure shown on the model/serial/rating plate.

Line Pressure Testing Above ½ psi Gauge (14" WCP)

The range and its individual shutoff valve must be disconnected from the gas supply piping system during any pressure testing of that system at test pressures in excess of ½ psi (3.5 kPa).

Line Pressure Testing at ½ psi Gauge (14" WCP) or Lower

The range must be isolated from the gas supply piping system by closing its individual manual shutoff valve during any pressure testing of the gas supply piping system at test pressures equal to or less than ½ psi (3.5 kPa).

INSTALLATION INSTRUCTIONS

Unpack Range

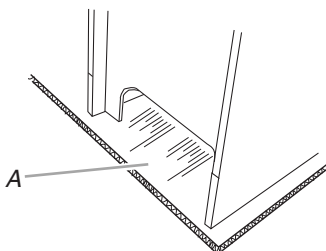
WARNING

Excessive Weight Hazard

Use two or more people to move and install range.

Failure to do so can result in back or other injury.

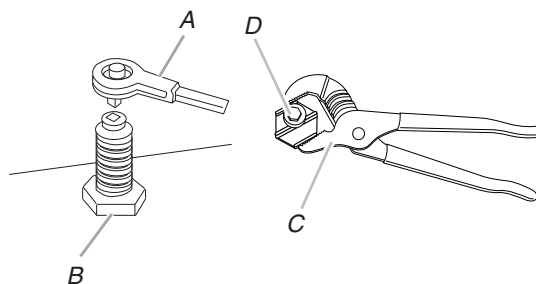
1. Remove shipping materials, tape and film from range.
2. Remove oven racks and parts package from inside oven.
3. Do not remove the shipping base at this time.



A. Shipping base

4. On Ranges Equipped with a Storage Drawer:

Remove the storage drawer. See the "Storage Drawer" section. Use a ¼" drive ratchet to lower the rear leveling legs one-half turn. Use a wrench or pliers to lower front leveling legs one-half turn.

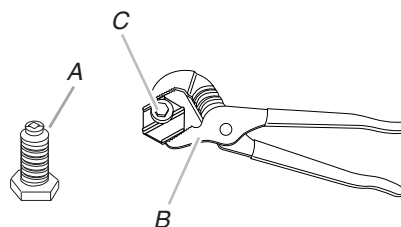


A. ¼" drive ratchet
B. Rear leveling leg

C. Wrench or pliers
D. Front leveling leg

On Ranges Equipped with a Warming Drawer or Premium Storage Drawer:

On ranges equipped with a warming drawer or premium storage drawer, the rear legs cannot be accessed by removing the warming drawer or premium storage drawer. It will be necessary to adjust the rear legs from outside the range. Use wrench or pliers to lower the front and rear leveling legs one-half turn.



A. Rear leveling leg
B. Wrench or pliers
C. Front leveling leg

Install Anti-Tip Bracket

⚠️ WARNING



Tip Over Hazard

A child or adult can tip the range and be killed.

Install anti-tip bracket to floor or wall per installation instructions.

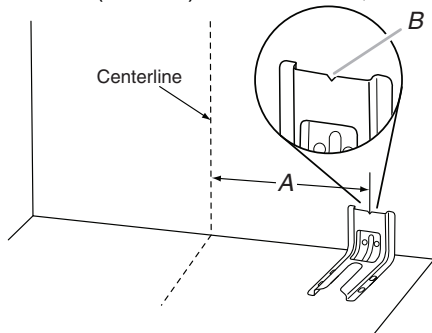
Slide range back so rear range foot is engaged in the slot of the anti-tip bracket.

Re-engage anti-tip bracket if range is moved.

Do not operate range without anti-tip bracket installed and engaged.

Failure to follow these instructions can result in death or serious burns to children and adults.

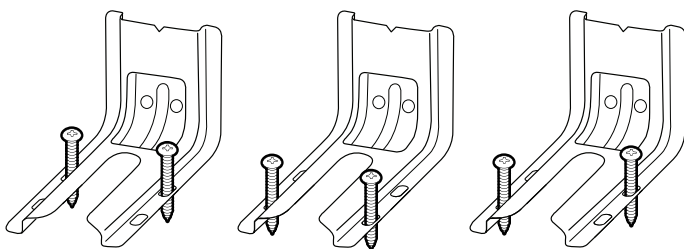
1. Remove the anti-tip bracket from where it is taped inside the storage drawer, warming drawer, or premium storage drawer.
2. Determine which mounting method to use: floor or wall.
If you have a stone or masonry floor, you can use the wall mounting method. If you are installing the range in a mobile home, you must secure the range to the floor.
3. Determine and mark centerline of the cutout space. The mounting bracket can be installed on either the left-hand side or right-hand side of the cutout. Position mounting bracket against the wall in the cutout so that the V-notch of the bracket is $12\frac{9}{16}$ " (31.9 cm) from centerline, as shown.



A. $12\frac{9}{16}$ " (31.9 cm)
B. Bracket V-notch

4. Drill two $\frac{1}{8}$ " (3 mm) holes that correspond to the bracket holes of the determined mounting method. See the following illustrations.

Floor Mounting

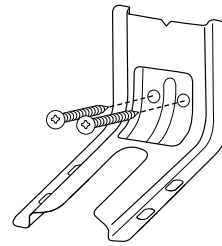


Rear position

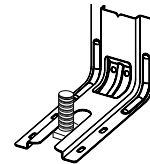
Front position

Diagonal (2 options)

Wall Mounting



5. Using the two #12 x $1\frac{1}{8}$ " (4.1 cm) Phillips-head screws provided, mount anti-tip bracket to the wall or floor.
6. Move range close enough to opening to allow for final gas and electrical connections. Remove shipping base, cardboard or hardboard from under range.
7. Move range into its final location, making sure rear leveling leg slides into anti-tip bracket.



8. Move range forward onto shipping base, cardboard or hardboard to continue installing the range using the following installation instructions.

Make Gas Connection

⚠️ WARNING



Explosion Hazard

Use a new CSA International approved gas supply line.

Install a shut-off valve.

Securely tighten all gas connections.

If connected to LP, have a qualified person make sure gas pressure does not exceed 14" (36 cm) water column.

Examples of a qualified person include:

**licensed heating personnel,
authorized gas company personnel, and
authorized service personnel.**

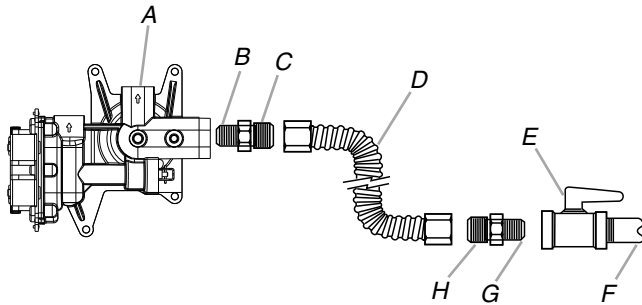
Failure to do so can result in death, explosion, or fire.

Typical flexible connection

1. Apply pipe-joint compound made for use with LP gas to the smaller thread ends of the flexible connector adapters (see B and G in the following illustration).
2. Attach one adapter to the gas pressure regulator and the other adapter to the gas shutoff valve. Tighten both adapters, being certain not to move or turn the gas pressure regulator.

- Use a $\frac{15}{16}$ " combination wrench and an adjustable wrench to attach the flexible connector to the adapters.

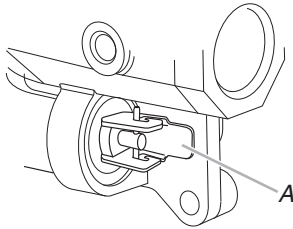
IMPORTANT: All connections must be wrench-tightened. Do not make connections to the gas regulator too tight. Making the connections too tight may crack the regulator and cause a gas leak. Do not allow the regulator to turn when tightening fittings.



- A. Gas pressure regulator
- B. Use pipe-joint compound.
- C. Adapter (must have $\frac{1}{2}$ " male pipe thread)
- D. Flexible connector
- E. Manual gas shutoff valve
- F. $\frac{1}{2}$ " or $\frac{3}{4}$ " gas pipe
- G. Use pipe-joint compound.
- H. Adapter

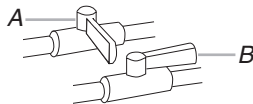
Complete Connection

- Check that the gas pressure regulator shutoff valve is in the "on" position.



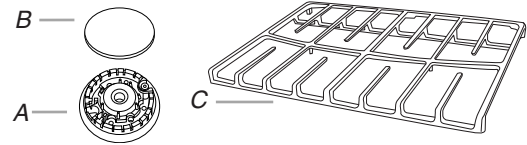
A. Gas pressure regulator shutoff valve shown in the "on" position

- Open the manual shutoff valve in the gas supply line. The valve is open when the handle is parallel to the gas pipe.



A. Closed valve
B. Open valve

- Test all connections by brushing on an approved noncorrosive leak-detection solution. If bubbles appear, a leak is indicated. Correct any leak found.
- Remove cooktop burner caps and grates from parts package. Burner caps should be level when properly positioned. If burner caps are not properly positioned, surface burners will not light. Place burner grates over burners and caps.



A. Burner base
B. Burner cap
C. Burner grate

⚠ WARNING



Electrical Shock Hazard

Plug into a grounded 3 prong outlet.

Do not remove ground prong.

Do not use an adapter.

Do not use an extension cord.

Failure to follow these instructions can result in death, fire, or electrical shock.

- Plug into a grounded 3 prong outlet.
- Slide range into final location, making sure the rear leveling leg slides into the slot of the anti-tip bracket.

Verify Anti-Tip Bracket Is Installed and Engaged

On Ranges with a Storage Drawer:

1. Remove the storage drawer. See “Storage Drawer” section.
2. Use a flashlight to look underneath the bottom of the range.
3. Visually check that the rear range foot is inserted into the slot of the anti-tip bracket.

On Ranges with a Warming Drawer or Premium Storage Drawer:

1. Place the outside of your foot against the bottom front of the warming drawer or premium storage drawer, and grasp the lower right-hand or left-hand side of the control panel, as shown.

NOTE: If your countertop is mounted with a backsplash, it may be necessary to grasp the range higher than is shown in the illustration.



2. Slowly attempt to tilt the range forward. If you encounter immediate resistance, the range foot is engaged in the anti-tip bracket.
3. If the rear of the range lifts more than ½" (1.3 cm) off the floor without resistance, stop tilting the range and lower it gently back to the floor. The range foot is not engaged in the anti-tip bracket.

IMPORTANT: If there is a snapping or popping sound when lifting the range, the range may not be fully engaged in the bracket. Check to see if there are obstructions keeping the range from sliding to the wall or keeping the range foot from sliding into the bracket. Verify that the bracket is held securely in place by the mounting screws.

4. Slide the range forward, and verify that the anti-tip bracket is securely attached to the floor or wall.
5. Slide range back so the rear range foot is inserted into the slot of the anti-tip bracket.

IMPORTANT: If the back of the range is more than 2" (5.1 cm) from the mounting wall, the rear range foot may not engage the bracket. Slide the range forward and determine if there is an obstruction between the range and the mounting wall. Changes to the gas supply must be performed by a qualified service technician. If you need assistance or service, refer to the “Warranty” section of the User Instructions for contact information.

6. Repeat steps 1 and 2 to ensure that the range foot is engaged in the anti-tip bracket.

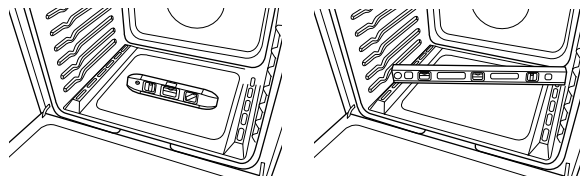
If the rear of the range lifts more than ½" (1.3 cm) off the floor without resistance, the anti-tip bracket may not be installed correctly. Do not operate the range without anti-tip bracket installed and engaged. Please reference the “Warranty” section of the User Instructions to contact service.

Level Range

Determine if you have AquaLift® Technology or Steam Clean by referring to the “Range Care” section of the User Instructions.

For Ranges with AquaLift® Technology or Steam Clean:

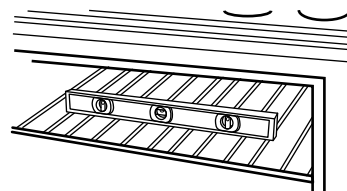
1. Place level on the oven bottom as indicated in one of the two figures below, depending on the size of the level. Check with the level side to side and front to back.



2. If range is not level, pull range forward until rear leveling leg is removed from the anti-tip bracket.
3. Follow the directions in Style 1 or Style 2, depending on the style of drawer supplied with the range.

For Ranges without AquaLift® Technology or Steam Clean:

1. Place a standard flat rack in oven.
2. Place level on the rack and check levelness of the range, first side to side; then front to back.



3. If range is not level, pull range forward until rear leveling leg is removed from the anti-tip bracket.
4. Follow the directions in Style 1 or Style 2, depending on the style of drawer supplied with the range.

Style 1: Ranges Equipped with a Storage Drawer:

Use a ¼" drive ratchet, wrench or pliers to adjust leveling legs up or down until the range is level. Push range back into position. Check that rear leveling leg is engaged in the anti-tip bracket.

Style 2: Ranges Equipped with a Warming Drawer or Premium Storage Drawer:

Use a wrench or pliers to adjust leveling legs up or down until the range is level. Push range back into position. Check that rear leveling leg is engaged in the anti-tip bracket.

NOTE: Range must be level for satisfactory baking performance and best cleaning results using AquaLift® Technology and Steam Clean functions.

Electronic Ignition System

Initial Lighting and Gas Flame Adjustments

Cooktop and oven burners use electronic igniters in place of standing pilots. When the cooktop control knob is turned to the "LITE" position, the system creates a spark to light the burner. This sparking continues, as long as the control knob is turned to "LITE."

When the oven control is turned to the desired setting, sparking occurs and ignites the gas.

Check Operation of Cooktop Burners

Standard Surface Burners

Push in and turn each control knob to the "LITE" position.

The flame should light within 4 seconds. The first time a burner is lit, it may take longer than 4 seconds to light because of air in the gas line.

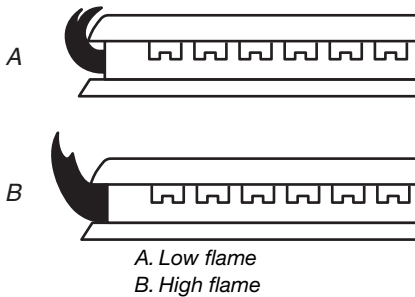
If Burners Do Not Light Properly:

- Turn cooktop control knob to the "OFF" position.
- Check that the range is plugged in. Check that the circuit breaker has not tripped or the household fuse has not blown.
- Check that the gas shutoff valves are set to the "open" position.
- Check that burner caps are properly positioned on burner bases.

Repeat start-up. If a burner does not light at this point, turn the control knobs to "Off" and contact your dealer or authorized service company for assistance.

Adjust Flame Height

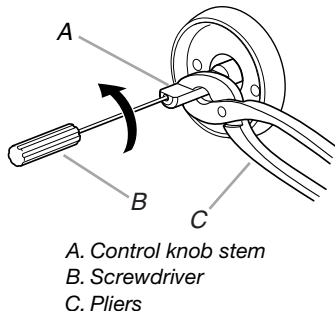
Adjust the height of top burner flames. The cooktop "low" burner flame should be a steady blue flame approximately $\frac{3}{8}$ " (9.5 mm) high.



To Adjust Standard Burner:

The flame can be adjusted using the adjustment screw in the center of the valve stem. The valve stem is located directly underneath the control knob.

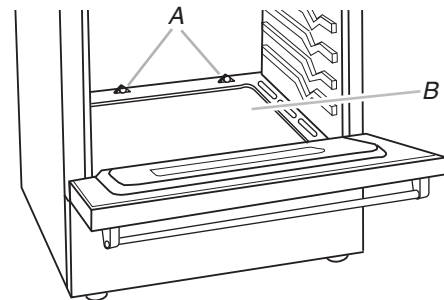
If the "Low" Flame Needs To Be Adjusted:



1. Light 1 burner and turn to lowest setting.
2. Remove the control knob.
Hold the knob stem with a pair of pliers. Use a small flat-blade screwdriver to turn the screw located in the center of the control knob stem until the flame is the proper size.
3. Replace the control knob.
4. Test the flame by turning the control from "LO" to "HI," checking the flame at each setting and ensuring there is a steady flame.
5. Repeat above steps for each burner.

Check Operation of Oven Bake Burner

1. Remove the oven rack.
2. To remove the oven bottom: Remove 2 screws at the rear of the oven bottom. Lift the rear of the oven bottom up and back until the front of the panel is away from the front frame. Remove from oven and place on a covered surface.



A. Screws
B. Oven bottom

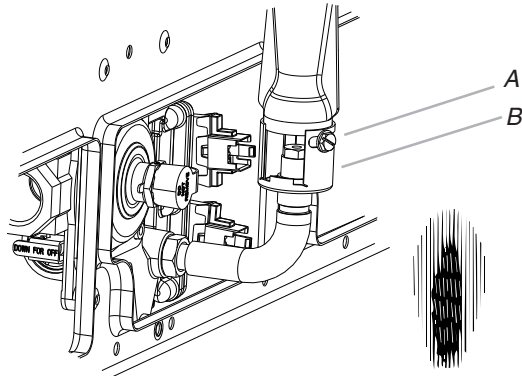
3. You can check the burner flame by using a mirror.
Insert a mirror to one side of the burner. Look into the mirror to check flame.
 4. Press the BAKE pad.
 5. Press the START pad.
- The oven bake burner should light within 8 seconds. Under certain conditions, it may take the burner up to 50 to 60 seconds to light.

Electronic igniters are used to light the bake and broil burners. Refer to the Use and Care Guide or User Instructions for proper operation of the oven controls.

Adjust Oven Bake Burner Flame (if needed)

1. On models with a warming drawer, remove access cover plate (1 screw) located at the back of the warming drawer compartment.
2. Check the oven bake burner for proper flame.
This flame should have a $\frac{1}{2}$ " (1.3 cm) long inner cone of bluish-green, with an outer mantle of dark blue, and should be clean and soft in character. No yellow tips, blowing or lifting of flame should occur.

- If the oven bake flame needs to be adjusted, locate the air shutter near the center rear of the range. Loosen the locking screw and rotate the air shutter until the proper flame appears. Tighten locking screw.



A. Locking screw
B. Air shutter

- Press CANCEL/OFF when finished.
- Reinstall flame spreader and oven bake burner cover.

Check Operation of Oven Broil Burner

- Close the oven door.
- Press the BROIL pad.
- Press the START pad.

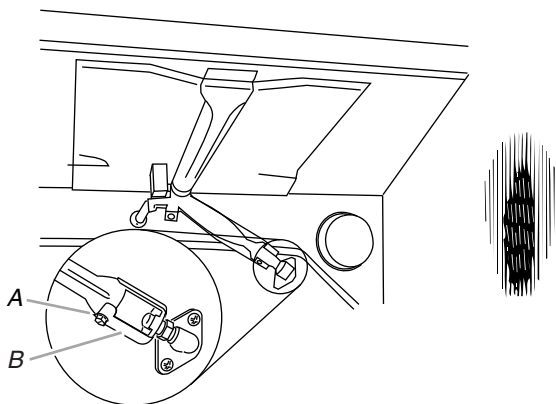
The oven burner should light within 8 seconds. Under certain conditions, it may take the burner up to 50 to 60 seconds to light. Refer to the Use and Care Guide or User Instructions for proper operation of the oven controls.

Adjust Oven Broil Burner Flame (if needed)

Look through oven window to check broil burner for proper flame. This flame should have a ½" (1.3 cm) long inner cone of bluish-green, with an outer mantle of dark blue, and should be clean and soft in character. No yellow tips, blowing or lifting of flame should be present.

If Flame Needs To Be Adjusted:

- Loosen the lock screw on the air shutter located at the rear of the broil burner.
- Adjust the air shutter as needed.
- Tighten lock screw.



A. Lock screw
B. Air shutter

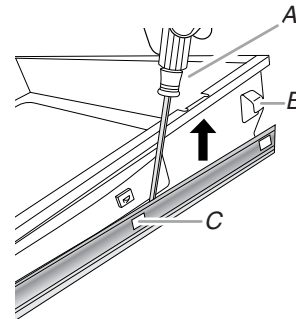
- Press CANCEL/OFF when finished.

Warming Drawer or Premium Storage Drawer (on some models)

Remove all items from inside the warming drawer or premium storage drawer, and allow the range to cool completely before attempting to remove the drawer.

To Remove:

- Open the warming drawer or premium storage drawer to its fully open position.
- Using a flat-blade screwdriver, gently loosen the warming drawer or premium storage drawer from the glide alignment notch and lift up the drawer alignment tab from the glide.

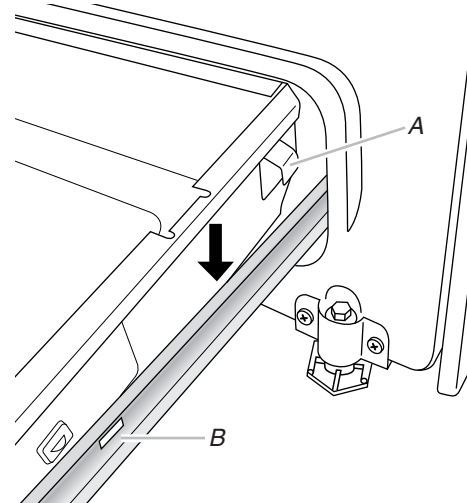


A. Flat-blade screwdriver
B. Drawer alignment tab
C. Drawer glide notch

- Repeat Step 2 on the other side. The warming drawer or premium storage drawer is no longer attached to the drawer glides. Using both hands, pick up the warming drawer or premium storage drawer to complete the removal.

To Replace:

- Align the forward drawer notches with the notches in the drawer glides on both sides. Place the rear alignment tabs into the drawer glides on both sides.



A. Drawer alignment tab
B. Drawer glide notch

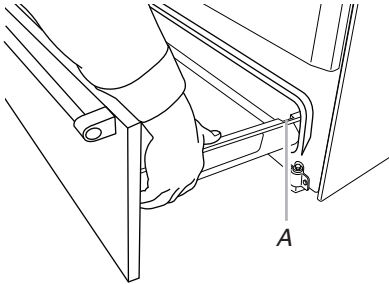
- Push the warming drawer or premium storage drawer in all the way.
- Gently open and close the warming drawer or premium storage drawer to ensure it is seated properly on the glides on both sides.

Storage Drawer (on some models)

The storage drawer can be removed. Before removing, make sure drawer is cool and empty.

To Remove:

1. Pull the storage drawer straight back to the drawer stop.

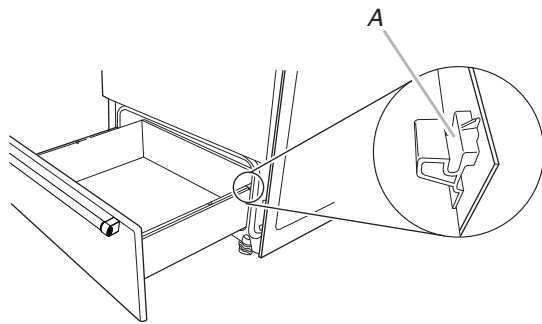


A. Drawer stop notch

2. Lift up the front of the drawer and pull the drawer out.

To Replace:

1. Lift up the front of the drawer and place the rear of the drawer inside the range so that the drawer stop notch is behind the drawer glide.
2. Lower the drawer so that the edge of the slide rail drops into the slot in the drawer glide.
3. Slowly push the drawer into the range.



A. Engage drawer glide.

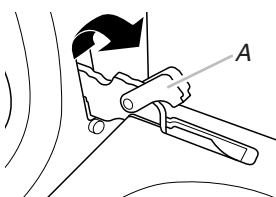
NOTE: When properly installed, the rear slides on the bottom of the drawer will engage the base rails and the drawer will not tip when items are placed in the drawer.

Oven Door

For normal range use, it is not suggested to remove the oven door. However, if removal is necessary, make sure the oven is off and cool. Then, follow these instructions. The oven door is heavy.

To Remove:

1. Open oven door all the way.
2. Pinch the hinge latch between two fingers and pull forward. Repeat on other side of oven door.



A. Hinge latch

3. Close the oven door as far as it will shut.

4. Lift the oven door while holding both sides.

Continue to push the oven door closed and pull it away from the oven door frame.



To Replace:

1. Insert both hanger arms into the door.



2. Open the oven door.

You should hear a “click” as the door is set into place.

3. Move the hinge levers back to the locked position. Check that the door is free to open and close. If it is not, repeat the removal and installation procedures.

Complete Installation

1. Check that all parts are now installed. If there is an extra part, go back through the steps to see which step was skipped.
2. Check that you have all of your tools.
3. Dispose of/recycle all packaging materials.
4. Check that the range is level. See the “Level Range” section.
5. Use a mild solution of liquid household cleaner and warm water to remove waxy residue caused by shipping material. Dry thoroughly with a soft cloth. For more information, see the “Range Care” section of the Use and Care Guide or User Instructions.
6. Read the Use and Care Guide or User Instructions.
7. Turn on surface burners and oven. See the Use and Care Guide or User Instructions for specific instruction on range operation.

If Range Does Not Operate, Check the Following:

- Household fuse is intact and tight, or circuit breaker has not tripped.
 - Range is plugged into a grounded 3 prong outlet.
 - Gas pressure regulator shutoff valve is in the “on” position.
 - Electrical supply is connected.
 - See “Troubleshooting” in the Use and Care Guide or User Instructions.
8. When the range has been on for 5 minutes, check for heat. If the range is cold, turn off the range and check that the gas supply line shutoff valve is open.
 - If the gas supply line shutoff valve is closed, open it, then repeat the 5-minute test as outlined above.
 - If the gas supply line shutoff valve is open, press the CANCEL button on the oven control panel and contact a qualified technician.

If You Need Assistance or Service:

Please reference the “Warranty” section of the Use and Care Guide or the User Instructions.

GAS CONVERSIONS

Gas conversions from Natural gas to LP gas or from LP gas to Natural gas must be done by a qualified installer.

⚠️ WARNING



Explosion Hazard

Use a new CSA International approved gas supply line.

Install a shut-off valve.

Securely tighten all gas connections.

If connected to LP, have a qualified person make sure gas pressure does not exceed 14" (36 cm) water column.

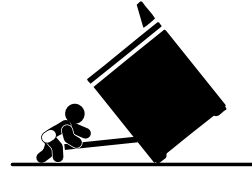
Examples of a qualified person include:

licensed heating personnel,
authorized gas company personnel, and
authorized service personnel.

Failure to do so can result in death, explosion, or fire.

LP Gas Conversion

⚠️ WARNING



Tip Over Hazard

A child or adult can tip the range and be killed.

Install anti-tip bracket to floor or wall per installation instructions.

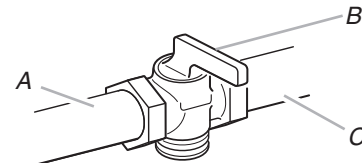
Slide range back so rear range foot is engaged in the slot of the anti-tip bracket.

Re-engage anti-tip bracket if range is moved.

Do not operate range without anti-tip bracket installed and engaged.

Failure to follow these instructions can result in death or serious burns to children and adults.

1. Turn the manual shutoff valve to the closed position.



A. To range

B. Manual shutoff valve "closed" position

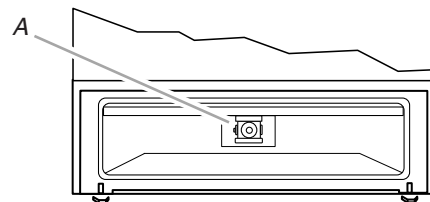
C. Gas supply line

2. Unplug range or disconnect power.

To Convert Gas Pressure Regulator (Natural Gas to LP Gas)

1. Remove storage drawer or warming drawer. See the "Storage Drawer" or "Warming Drawer or Premium Storage Drawer" section.
2. Locate gas pressure regulator at rear of storage or warming drawer compartment.

NOTE: On models with a warming drawer, an access cover must be removed to access the gas pressure regulator.

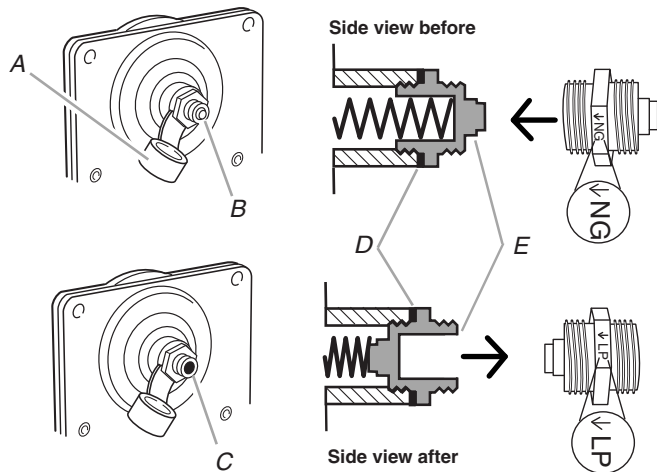


A. Gas pressure regulator

IMPORTANT: Do not remove the gas pressure regulator.

- Remove plastic cover from gas pressure regulator cap.
- Turn gas pressure regulator cap counterclockwise with a $\frac{5}{8}$ " combination wrench to remove.

NOTE: Do not remove the spring beneath the cap.

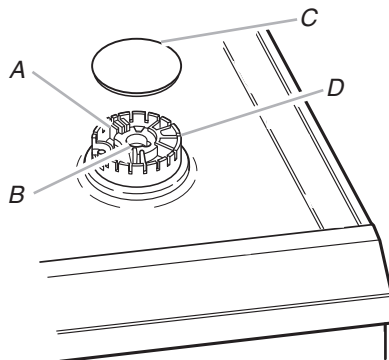


- A. Plastic cover
- B. Gas pressure regulator cap with solid end facing out
- C. Gas pressure regulator cap with hollow end facing out
- D. Washer
- E. Gas pressure regulator cap

- Turn over the gas pressure regulator cap and reinstall on regulator so that the hollow end faces out and the marking "↓LP" is facing the direction shown in the above drawing.
- Replace plastic cover over gas pressure regulator cap.

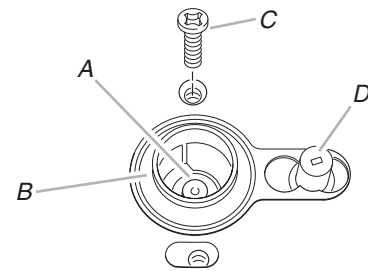
To Convert Surface Burners (Natural Gas to LP Gas)

- Remove burner cap.
 - Using a Phillips or Quadrex® screwdriver, remove the burner base.
- NOTE:** Reinstall one of the screws through the range cooktop to hold the orifice spud holder in place while removing and replacing the orifice spuds.



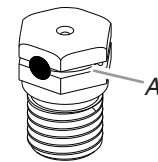
- A. Igniter electrode
- B. Gas tube opening
- C. Burner cap
- D. Burner base

- Apply masking tape to the end of a 7 mm ($\frac{9}{32}$ ") nut driver to help hold the gas orifice spud in the nut driver while changing it. Press nut driver down onto the gas orifice spud and remove by turning it counterclockwise and lifting out. Set gas orifice spud aside.



- A. Orifice spud
- B. Orifice spud holder
- C. Screw
- D. Spark electrode

- Remove the cardboard orifice spud holder shipped in the literature package in the oven. Gas orifice spuds are stamped with a number, marked with 1 color dot, and have a groove in the hex area. Replace the Natural gas orifice spud with the correct LP gas orifice spud.



A. LP groove

Refer to the following chart for correct LP gas orifice spud placement.

LP Gas Orifice Spud Chart for Surface Burners

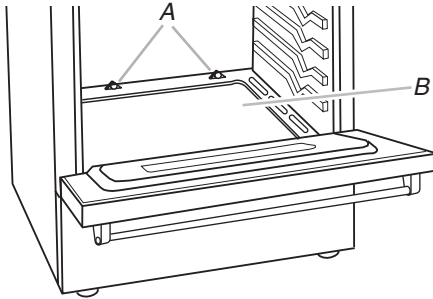
Burner Rating	Color	Size	ID Number
14,000 BTU	Yellow/Orange	1.07 mm	L107
11,000 BTU	Yellow/Brown	0.99 mm	L99
8,000 BTU	Yellow/Black	0.85 mm	L85
5,000 BTU	Yellow/White	0.70 mm	L70

NOTE: Refer to the model/serial/rating plate located on the oven frame behind the top right-hand side of the oven door for proper sizing of spuds for each burner location.

- Place Natural gas orifice spuds in the cardboard orifice spud holder.
- Replace the burner base using both screws.
- Replace burner cap.
- Repeat steps 1 through 7 for the remaining burners.

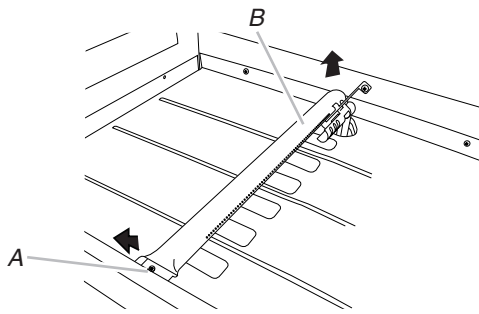
To Convert Oven Bake Burner (Natural Gas to LP Gas)

1. Remove the oven racks.
2. Remove 2 screws at the rear of the oven bottom.
3. Lift the rear of the oven bottom up and back until the front of the panel is away from the front frame. Remove from oven and set it aside on a covered surface.



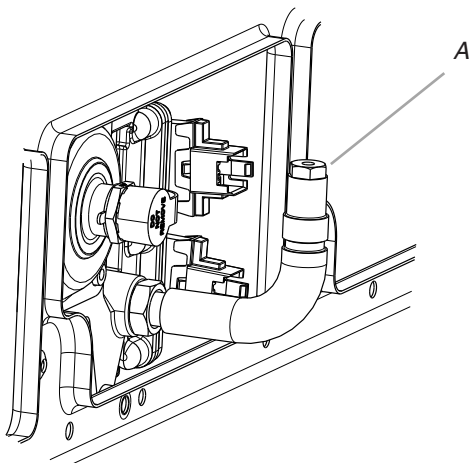
A. Screws
B. Oven bottom

4. Remove 1 screw from the bake burner.
5. Slide the front of the bake burner to the side to remove tab from front of oven. Lift the back of the bake burner off the oven orifice, and set the bake burner aside.



A. Screw
B. Bake burner

6. Using a $\frac{3}{8}$ " nut driver or combination wrench, turn the Natural gas bake burner orifice spud counterclockwise to remove. The spud will be stamped with a "47."
7. Replace the "47" spud with a "56" spud. Install the LP gas bake burner orifice spud, turning it clockwise until snug. **IMPORTANT:** Do not overtighten.

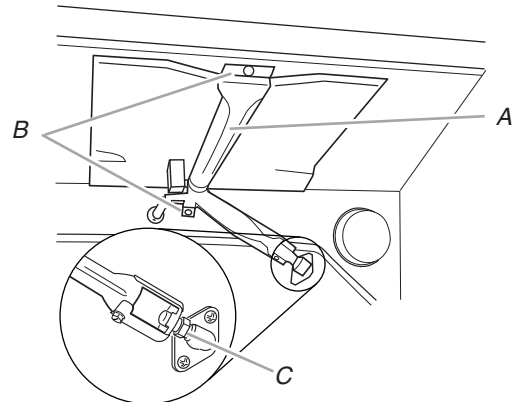


A. Orifice spud

8. Position the back of the bake burner over the oven orifice, and slide the tab on front of the bake burner into the front of the oven.
9. Reattach the bake burner with 1 screw.
10. Position the front of the oven bottom panel toward the front frame and lower the rear of the oven bottom panel into the oven.
11. Reattach the oven bottom panel with screws.

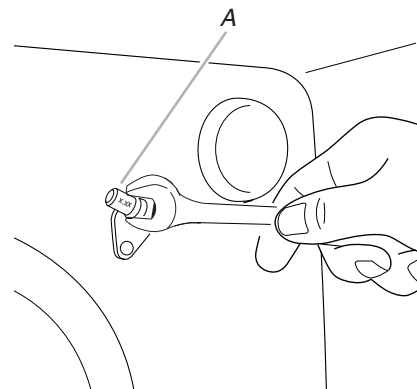
To Convert Oven Broil Burner (Natural Gas to LP Gas)

1. Remove the screw from the broil burner.
2. Remove the broil burner from the broil burner orifice hood. **NOTE:** The broil burner will hang in the back of the oven while changing the orifice hood.



A. Broil burner
B. Screws
C. Orifice hood

3. Using a $\frac{3}{8}$ " combination wrench, turn the Natural gas broil burner orifice hood counterclockwise to remove. The hood will be stamped with a "155."
4. Replace the "155" hood with a "100" hood. Install the LP gas broiler burner orifice hood, turning it clockwise until snug. **IMPORTANT:** Do not overtighten.



A. Orifice hood

5. Place the broil burner on the broil burner orifice hood, and then insert the broil burner ceramic igniter in the hole in the rear of the oven.
6. Position the broil burner against the top of the oven, and then attach it with 2 screws.
7. Replace storage drawer or warming drawer. See the "Storage Drawer" or "Warming Drawer or Premium Storage Drawer" section.
8. Replace the oven door if it has been removed. See the "Oven Door" section.
9. Replace the oven racks.

Complete Installation (Natural Gas to LP Gas)

1. Refer to the "Make Gas Connection" section for properly connecting the range to the gas supply.
2. Refer to the "Electronic Ignition System" section for proper burner ignition, operation, and burner flame adjustments.

IMPORTANT: You may have to adjust the "LO" setting for each cooktop burner.

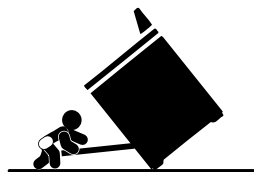
Checking for proper cooktop, bake and broil burner flame is very important. The small inner cone should have a very distinct blue flame $\frac{1}{4}$ " (0.64 cm) to $\frac{1}{2}$ " (1.3 cm) long. The outer cone is not as distinct as the inner cone. LP gas flames have a slightly yellow tip.

3. Refer to "Complete Installation" in the "Installation Instructions" section of this manual to complete this procedure.

NOTE: Make sure to save the orifices that have just been replaced in the conversion.

Natural Gas Conversion

WARNING



Tip Over Hazard

A child or adult can tip the range and be killed.

Install anti-tip bracket to floor or wall per installation instructions.

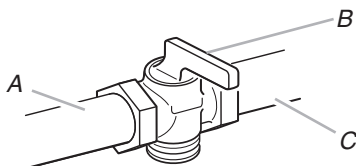
Slide range back so rear range foot is engaged in the slot of the anti-tip bracket.

Re-engage anti-tip bracket if range is moved.

Do not operate range without anti-tip bracket installed and engaged.

Failure to follow these instructions can result in death or serious burns to children and adults.

1. Turn the manual shutoff valve to the closed position.



A. To range

B. Manual shutoff valve "closed" position

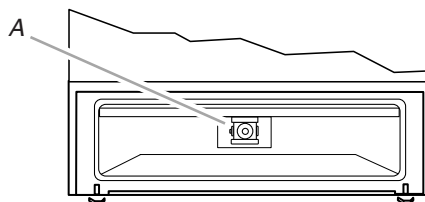
C. Gas supply line

2. Unplug range or disconnect power.

To Convert Gas Pressure Regulator (LP Gas to Natural Gas)

1. Remove storage drawer or warming drawer. See the "Storage Drawer" or "Warming Drawer or Premium Storage Drawer" section.
2. Locate gas pressure regulator at rear of storage or warming drawer compartment.

NOTE: On models with a warming drawer, an access cover must be removed to access the gas pressure regulator.

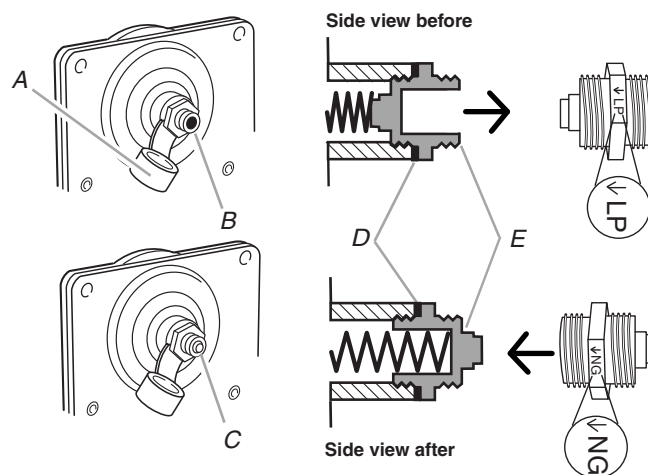


A. Gas pressure regulator

IMPORTANT: Do not remove the gas pressure regulator.

3. Remove plastic cover from gas pressure regulator cap.
4. Turn gas pressure regulator cap counterclockwise with a $\frac{5}{8}$ " combination wrench to remove.

NOTE: Do not remove the spring beneath the cap.



A. Plastic cover

B. Gas pressure regulator cap with hollow end facing out

C. Gas pressure regulator cap with solid end facing out

D. Washer

E. Gas pressure regulator cap

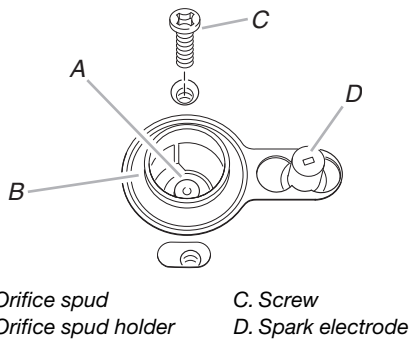
5. Turn over the gas pressure regulator cap and reinstall on regulator so that the solid end faces out and the marking "↓ NG" is facing the direction shown in the above drawing.
6. Replace plastic cover over gas pressure regulator cap.

To Convert Surface Burners (LP Gas to Natural Gas)

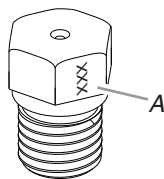
1. Remove burner cap.
2. Using a Phillips or Quadrex® screwdriver, remove the burner base.

NOTE: Reinstall one of the screws through the range cooktop to hold the orifice spud holder in place while removing and replacing the orifice spuds.

- Apply masking tape to the end of a 7 mm ($\frac{9}{32}$ ") nut driver to help hold the gas orifice spud in the nut driver while changing it. Press nut driver down onto the gas orifice spud and remove by turning it counterclockwise and lifting out. Set gas orifice spud aside.



- Gas orifice spuds are stamped with a number on the side. Replace the LP gas orifice spud with the correct Natural gas orifice spud.



Refer to the following chart for the correct Natural gas orifice spud placement.

4" WC Natural Gas Orifice Spud Chart

Burner Rating	Color	Size	ID Number
18,000 BTU	Yellow/Blue	2.16 mm	N216
17,000 BTU	Red/Magenta	2.10 mm	N210
15,000/15,500 BTU	Red/Black	2.00 mm	N200
14,200 BTU	Red/Orange	1.90 mm	N190
13,000/13,500 BTU	Red/Blue	1.85 mm	N185
12,000/12,500 BTU	Red/Yellow	1.80 mm	N180
9,500 BTU	Red/Brown	1.55 mm	N155
8,000 BTU	Red/White	1.40 mm	N140
5,000 BTU	Red/Brass	1.10 mm	N110

5" WC Natural Gas Orifice Spud Chart

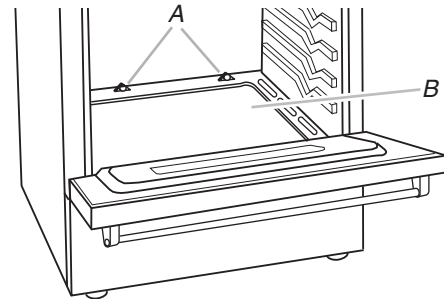
Burner Rating	Color	Size	ID Number
18,000 BTU	Red/Black	2.00 mm	N200
17,000 BTU	Black/White	1.94 mm	N194
15,000/15,500 BTU	Red/Yellow	1.80 mm	N180
9,500 BTU	Red/White	1.40 mm	N140
8,000 BTU	Red/Green	1.32 mm	N132
5,000 BTU	Blue/White	1.04 mm	N104

NOTE: Refer to the model/serial/rating plate located on the oven frame behind the top right-hand side of the oven door for proper sizing of spuds for each burner location.

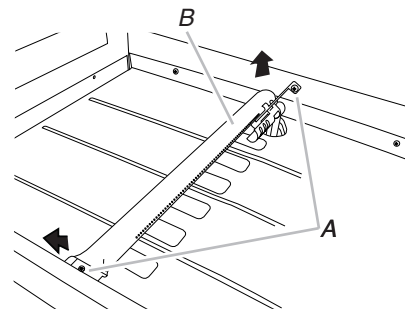
- Place LP gas orifice spuds in plastic parts bag for future use and keep with package containing literature.
- Replace the burner base using both screws.
- Replace burner cap.
- Repeat steps 1 through 7 for the remaining burners.

To Convert Oven Bake Burner (LP Gas to Natural Gas)

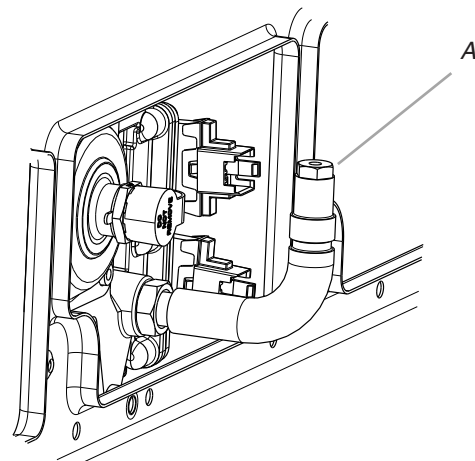
- Remove the oven racks.
- Remove 2 screws at the rear of the oven bottom.
- Lift the rear of the oven bottom up and back until the front of the panel is away from the front frame. Remove from oven and set it aside on a covered surface.



- Remove 1 screw from the bake burner.
- Slide the front of the bake burner to the side to remove tab from front of oven. Lift the back of the bake burner off the oven orifice, and set the bake burner aside.



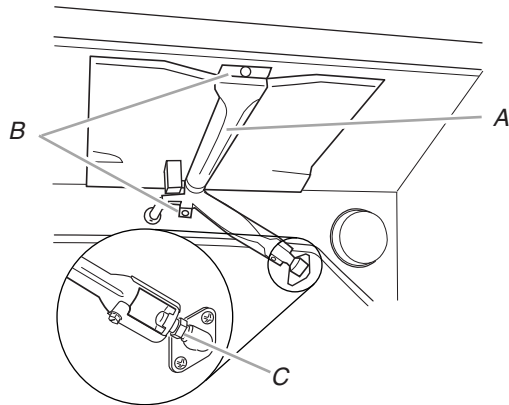
- Using a $\frac{3}{8}$ " nut driver or combination wrench, turn the LP gas bake burner orifice spud counterclockwise to remove. The spud will be stamped with a "56."
- Replace the "56" spud with a "47" spud. Install the Natural gas bake burner orifice spud, turning it clockwise until snug. **IMPORTANT:** Do not overtighten.



8. Position the back of the bake burner over the oven orifice, and then slide the tab on front of the bake burner into the front of the oven.
9. Reattach the bake burner with 1 screw.
10. Position the front of the oven bottom panel toward the front frame, and then lower the rear of the oven bottom panel into the oven.
11. Reattach the oven bottom panel with 2 screws.

To Convert Oven Broil Burner (LP Gas to Natural Gas)

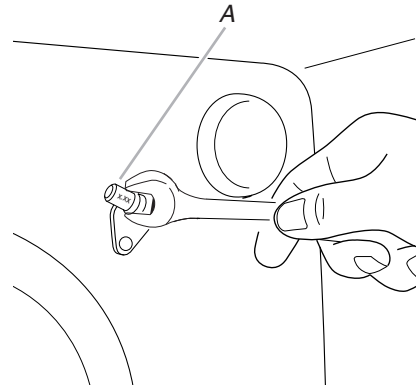
1. Remove the screw from the broil burner.
2. Remove the broil burner from the broil burner orifice hood.
NOTE: The broil burner will hang in the back of the oven while changing the orifice hood.



A. Broil burner
B. Screws
C. Orifice hood

3. Using a $\frac{3}{8}$ " combination wrench, turn the LP gas broil burner orifice hood counterclockwise to remove. The hood will be stamped with a "100."

4. Replace the "100" hood with a "155" hood. Install the Natural gas broiler burner orifice hood, turning it clockwise until snug. **IMPORTANT:** Do not overtighten.



A. Orifice hood

5. Place the broil burner on the broil burner orifice hood and insert the broil burner ceramic igniter in the hole in the rear of the oven.
6. Position the broil burner against the top of the oven and attach it with 2 screws.
7. Replace storage drawer or warming drawer. See the "Storage Drawer" or "Warming Drawer or Premium Storage Drawer" section.
8. Replace the oven door. See the "Oven Door" section.
9. Replace the oven racks.

Complete Installation (LP Gas to Natural Gas)

1. Refer to the "Make Gas Connection" section for properly connecting the range to the gas supply.
2. Refer to the "Electronic Ignition System" section for proper burner ignition, operation, and burner flame adjustments.
IMPORTANT: You may have to adjust the "LO" setting for each cooktop burner.
Checking for proper cooktop, bake and broil burner flame is very important. Natural gas flames do not have yellow tips.
3. Refer to "Complete Installation" in the "Installation Instructions" section of this manual to complete this procedure.
NOTE: Make sure to save the orifices that have just been replaced in the conversion.

SÉCURITÉ DE LA CUISINIÈRE

Votre sécurité et celle des autres est très importante.

Nous donnons de nombreux messages de sécurité importants dans ce manuel et sur votre appareil ménager. Assurez-vous de toujours lire tous les messages de sécurité et de vous y conformer.



Voici le symbole d'alerte de sécurité.

Ce symbole d'alerte de sécurité vous signale les dangers potentiels de décès et de blessures graves à vous et à d'autres.

Tous les messages de sécurité suivront le symbole d'alerte de sécurité et le mot "DANGER" ou "AVERTISSEMENT". Ces mots signifient :

⚠ DANGER

Risque possible de décès ou de blessure grave si vous ne suivez pas immédiatement les instructions.

⚠ AVERTISSEMENT

Risque possible de décès ou de blessure grave si vous ne suivez pas les instructions.

Tous les messages de sécurité vous diront quel est le danger potentiel et vous disent comment réduire le risque de blessure et ce qui peut se produire en cas de non-respect des instructions.

AVERTISSEMENT : Si les renseignements dans ce manuel ne sont pas exactement observés, un incendie ou une explosion peut survenir, causant des dommages au produit, des blessures ou un décès.

- Ne pas entreposer ni utiliser de l'essence ou d'autres vapeurs ou liquides inflammables à proximité de cet appareil ou de tout autre appareil électroménager.
- QUE FAIRE DANS LE CAS D'UNE ODEUR DE GAZ :
 - Ne pas tenter d'allumer un appareil.
 - Ne pas toucher à un commutateur électrique.
 - Ne pas utiliser le téléphone se trouvant sur les lieux.
 - Appeler immédiatement le fournisseur de gaz à partir du téléphone d'un voisin. Suivre ses instructions.
 - À défaut de joindre votre fournisseur de gaz, appeler les pompiers.
- L'installation et l'entretien doivent être effectués par un installateur qualifié, une agence de service ou le fournisseur de gaz.

AVERTISSEMENT : L'odorat ne permet pas toujours la détection d'une fuite de gaz.

Les distributeurs de gaz recommandent l'emploi d'un détecteur de gaz (homologation UL ou CSA).

Pour d'autre information, contacter le fournisseur de gaz local.

En cas de détection d'une fuite de gaz, exécuter les instructions "Que faire dans le cas d'une odeur de gaz".

IMPORTANT : Ne pas installer un système de ventilation avec évacuation de l'air vers le bas, qui évacuerait l'air vers cet appareil de cuisson à gaz. Ce type de système de ventilation peut causer des problèmes d'allumage et de combustion avec cet appareil de cuisson à gaz et entraîner des blessures corporelles ou le fonctionnement non désiré de cet appareil.

Dans l'État du Massachusetts, les instructions d'installation suivantes sont applicables :

- Les travaux d'installation et réparation doivent être exécutés par un plombier ou tuyauteur qualifié ou licencié, ou par le personnel qualifié d'une entreprise licenciée par l'État du Massachusetts.
- Si une vanne à boisseau sphérique est utilisée, elle doit comporter une manette "T".
- Si un conduit de raccordement flexible est utilisé, sa longueur ne doit pas dépasser 3 pi.

⚠ AVERTISSEMENT

Risque de basculement

Un enfant ou une personne adulte peut faire basculer la cuisinière, ce qui peut causer un décès.

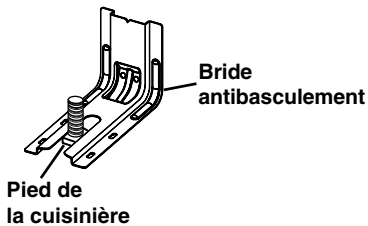
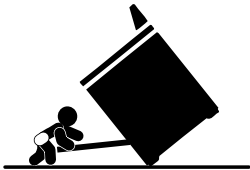
Fixer la bride antibasculement au plancher ou au mur, conformément aux instructions d'installation.

Faire glisser de nouveau la cuisinière de façon à ce que le pied arrière de la cuisinière se trouve dans la fente de la bride antibasculement.

Réengager la bride antibasculement si la cuisinière a été déplacée.

Ne pas faire fonctionner la cuisinière si la bride antibasculement n'est pas installée et engagée.

Le non-respect de ces instructions peut causer un décès ou des brûlures graves aux enfants et aux adultes.



Pour vérifier que la bride antibasculement est bien installée et engagée :

- Faire glisser la cuisinière vers l'avant.
- Vérifier que la bride antibasculement est bien fixée au plancher ou au mur.
- Faire de nouveau glisser la cuisinière vers l'arrière de sorte que le pied de la cuisinière se trouve sous la bride antibasculement.
- Voir les instructions d'installation pour plus de détails.

EXIGENCES D'INSTALLATION

Outillage et pièces

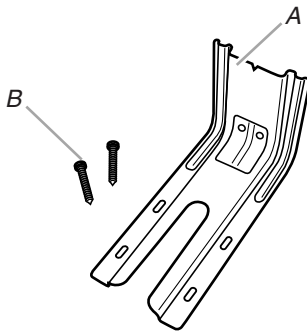
Avant d'entreprendre l'installation, rassembler tous les outils et le matériel nécessaires. Lire et suivre les instructions fournies avec les outils indiqués ici.

Outillage nécessaire

- Mètre-ruban
 - Tournevis à lame plate
 - Tournevis Phillips
 - Niveau
 - Perceuse manuelle ou électrique
 - Clé ou pince
 - Clé à tuyauterie
 - Clé mixte de $1\frac{5}{16}$ "
 - Clé à cliquet de $\frac{1}{4}$ "
 - Tourne-écrou de $\frac{3}{8}$ "
 - Foret de $\frac{1}{8}$ " (3,2 mm) (pour plancher de bois)
 - Crayon ou marqueur
 - Composé d'étanchéité des raccords filetés - résistant au propane
 - Solution non corrosive de détection des fuites
- Pour la conversion pour l'alimentation au gaz propane/gaz naturel**
- Clé mixte de $\frac{3}{8}$ "
 - Clé mixte de $\frac{1}{2}$ "
 - Clé mixte de $\frac{5}{8}$ "
 - Tourne-écrou 7 mm ($\frac{9}{32}$ ")
 - Tournevis Quadrex®† ou Phillips
 - Ruban adhésif de masquage

Pièces fournies

Vérifier la présence de toutes les pièces.



A. Bride antibasculement
B. Vis n° 12 x $1\frac{5}{8}$ " (2)

- La bride antibasculement doit être bien fixée au plancher ou au mur. L'épaisseur du plancher peut nécessiter des vis plus longues pour l'ancrage de la bride au plancher.

Pièces nécessaires

Consulter les codes locaux en vigueur et le fournisseur de gaz. Déterminer les caractéristiques des sources disponibles d'électricité et gaz. Voir "Spécifications électriques" et "Spécifications de l'alimentation en gaz".

Exigences d'emplacement

IMPORTANT : Observer les dispositions de tous les codes et règlements en vigueur. Ne pas obstruer le flux de combustion et de ventilation.

- C'est à l'installateur qu'incombe la responsabilité de respecter les distances de séparation exigées, spécifiées sur la plaque signalétique de l'appareil. La plaque signalétique se trouve sur le châssis du four, derrière le côté supérieur droit de la porte du four.
- Dans le cas d'une cuisinière encastrée, l'enceinte doit recouvrir complètement les côtés et l'arrière de la cuisinière.
- Toutes les ouvertures dans le mur ou le plancher de l'emplacement d'installation de la cuisinière doivent être scellées.
- Ne pas réaliser de scellement entre la cuisinière et les placards latéraux.
- Respecter les dimensions indiquées pour les ouvertures à découper dans les placards. Ces dimensions constituent les valeurs minimales des dégagements.
- La bride antibasculement de plancher doit être installée. Pour l'installation de la bride antibasculement fournie avec la cuisinière, voir la section "Installation de la bride antibasculement".
- Une source d'électricité avec liaison à la terre est nécessaire. Voir la section "Spécifications électriques".
- Un raccordement adéquat à l'alimentation en gaz doit être disponible. Voir la section "Spécifications de l'alimentation en gaz".
- Contacter un installateur de revêtement de sol qualifié, qui pourra déterminer si le revêtement de sol peut résister à une température d'au moins 200°F (93°C).
- Dans le cas de l'installation de la cuisinière sur une moquette, placer sous la cuisinière un tapis isolant ou une plaque de contreplaqué de $\frac{1}{4}$ " (0,64 cm).

IMPORTANT : Afin d'éviter d'endommager les placards, consulter le constructeur de la maison ou le fabricant des placards pour déterminer si les matériaux utilisés peuvent subir un changement de couleur, une déstratification ou d'autres dommages. Ce four a été conçu conformément aux exigences des normes UL et CSA International et respecte les températures maximales permises de 194°F (90°C) pour les placards en bois.

Résidence mobile – Spécifications additionnelles à respecter lors de l'installation

L'installation de cette cuisinière doit être conforme aux dispositions de la norme Manufactured Home Construction and Safety Standard, Title 24 CFR, Part 3280 (anciennement Federal Standard for Mobile Home Construction and Safety, Title 24, HUD Part 280). Lorsque cette norme n'est pas applicable, l'installation doit satisfaire aux critères de la norme Standard for Manufactured Home Installations, ANSI A225.1/NFPA 501A ou aux dispositions des codes locaux.

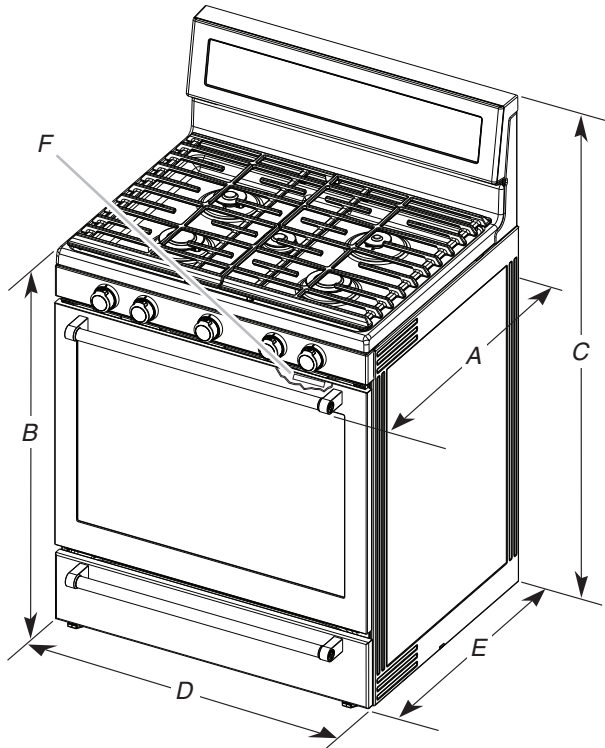
Au Canada, l'installation de cette cuisinière doit satisfaire aux stipulations de la version la plus récente de la norme CAN/CSA-Z240 ou des codes locaux en vigueur.

†© QUADREX est une marque déposée NLW Holdings, Inc.

Autres critères à respecter pour une installation en résidence mobile :

- Dans le cas de l'installation de cette cuisinière dans une résidence mobile, toute méthode de fixation de la cuisinière est adéquate dans la mesure où elle respecte les instructions du présent manuel.

Dimensions du produit



- A. 27 7/8" (70,8 cm) max. de profondeur avec poignée
- B. Hauteur de la table de cuisson (max.) avec les pieds de nivellement complètement relevés : 36" (91,4 cm)*
- C. Hauteur (max.) totale avec les pieds de nivellement complètement relevés : 47 1/8" (119,7 cm)*
- D. Largeur de 29 7/8" (75,9 cm)
- E. Profondeur de 25 7/8" (64,6 cm) du dos de la cuisinière à l'avant de la table de cuisson**
- F. Plaque signalétique (située sur le châssis du four, derrière le côté supérieur droit de la porte du four)

IMPORTANT : La cuisinière doit être d'aplomb après l'installation. Suivre les instructions de la section "Réglage de l'aplomb de la cuisinière". Il n'est pas recommandé d'utiliser la table de cuisson comme référence pour établir l'aplomb de la cuisinière.

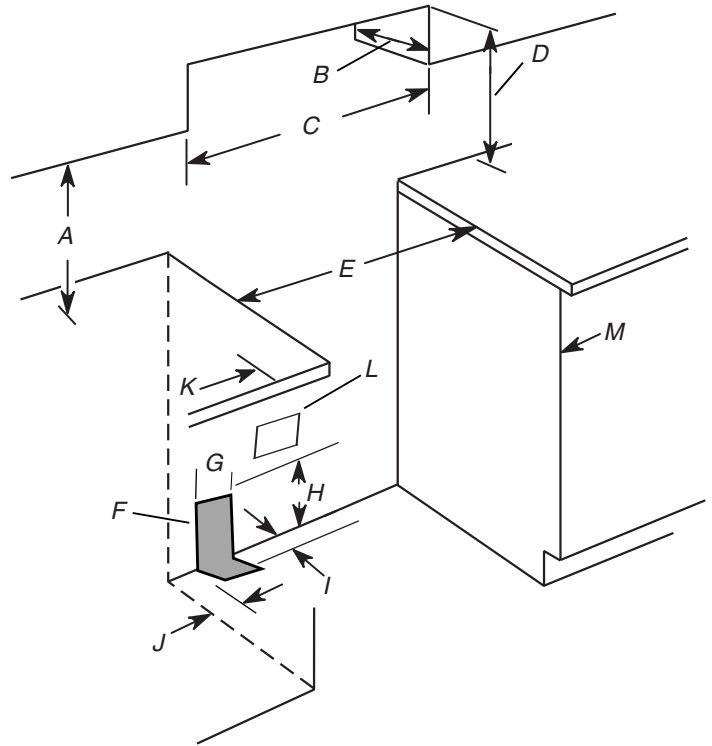
*La cuisinière peut être surélevée d'environ 1" (2,5 cm) en ajustant les pieds de nivellement.

**La face avant de la porte et du tiroir peut être plus en saillie selon la conception.

Dimensions du placard

Les dimensions de l'espace d'installation entre les placards sont valides pour l'installation entre des placards de 25" (64,0 cm) de profondeur avec plan de travail de 24" (61,0 cm) de profondeur et 36" (91,4 cm) de hauteur.

IMPORTANT : En cas d'installation d'une hotte ou d'un ensemble hotte/micro-ondes au-dessus de la cuisinière, suivre les instructions fournies avec la hotte concernant les dimensions de dégagement à respecter au-dessus de la surface de la table de cuisson.



- A. 18" (45,7 cm) entre le placard latéral supérieur et le plan de travail
- B. Profondeur maximale des placards supérieurs : 13" (33 cm)
- C. Largeur de l'ouverture 30" (76,2 cm) min.
- D. Pour le dégagement minimal vers la partie supérieure de la table de cuisson, voir la REMARQUE*
- E. Largeur minimale de l'ouverture : 30 1/8" (76,5 cm)
- F. Il est recommandé d'effectuer l'installation de la canalisation de gaz rigide dans les zones grisées.
- G. 11" (27,9 cm)
- H. 17" (43,2 cm)
- I. 2" (5,1 cm)
- J. 4 1/2" (11,4 cm)
- K. Dégagement minimal de 3" (7,6 cm) entre les deux côtés de la cuisinière et la paroi latérale ou d'autres matériaux combustibles.
- L. Prise reliée à la terre
- M. Ni la porte, ni les charnières du placard ne doivent dépasser à l'intérieur de l'ouverture.

***REMARQUE :** Distance de séparation minimale de 24" (61 cm) lorsque le fond d'un placard de bois ou de métal est protégé par une planche ignifugée d'au moins 1/4" (0,64 cm) recouverte d'une feuille métallique d'épaisseur égale ou supérieure à : acier calibre 28 MSG, acier inoxydable 0,015" (0,4 mm), aluminium 0,024" (0,6 mm), ou cuivre 0,020" (0,5 mm).

Distance de séparation minimale de 30" (76,2 cm) entre le dessus de la table de cuisson et le fond d'un placard de bois ou de métal non protégé.

Spécifications électriques

AVERTISSEMENT



Risque de choc électrique

Brancher sur une prise à 3 alvéoles reliée à la terre.

Ne pas enlever la broche de liaison à la terre.

Ne pas utiliser un adaptateur.

Ne pas utiliser un câble de rallonge.

Le non-respect de ces instructions peut causer un décès, un incendie ou un choc électrique.

IMPORTANT : La cuisinière doit être électriquement reliée à la terre conformément aux prescriptions des codes et règlements locaux; en l'absence de code local, respecter les prescriptions du code national en vigueur : National Electrical Code, ANSI/NFPA 70, ou Code canadien de l'électricité, CSA C22.1.

Cette cuisinière est dotée d'un système d'allumage électronique qui ne fonctionnera pas en cas de branchement dans une prise qui n'est pas correctement polarisée.

Si un conducteur distinct de liaison à la terre est utilisé (lorsque le code en vigueur le permet), on recommande qu'un électricien qualifié vérifie la qualité de la liaison à la terre.

On peut obtenir un exemplaire des normes du code national en vigueur à l'adresse suivante :

National Fire Protection Association
1 Batterymarch Park,
Quincy, MA 02169-7471

CSA International
8501 East Pleasant Valley Road
Cleveland, OH 44131-5575

- L'appareil doit être alimenté uniquement par un circuit électrique de 120 volts, CA seulement, de 60 Hz, 15 A protégé par fusibles. On recommande également l'emploi de fusibles temporisés ou disjoncteurs. On recommande que la cuisinière soit alimentée par un circuit indépendant.
- Les dispositifs d'allumage électronique peuvent fonctionner correctement dans une plage de tension d'alimentation étendue, mais il est nécessaire de respecter la polarité stipulée et d'établir une liaison à la terre adéquate. Vérifier que la prise de courant fournit une tension de 120 V et qu'elle est correctement reliée à la terre.
- Il n'est pas nécessaire de brancher cette cuisinière à gaz à une prise équipée d'un disjoncteur différentiel. Il est recommandé de ne pas brancher une cuisinière à gaz ou tout autre gros appareil électroménager à allumage électrique par étincelle dans une prise murale à disjoncteur différentiel, car ce dernier peut se déclencher lors de l'utilisation normale de l'allumeur.
- La performance de cette cuisinière ne change pas si elle est branchée à un circuit protégé par disjoncteur différentiel. Toutefois, le déclenchement intempestif du disjoncteur différentiel en utilisation normale peut se produire du fait de la nature des cuisinières à gaz à allumage électronique.

- Le schéma de câblage est situé à l'arrière de la cuisinière, dans un sachet plastique transparent.

REMARQUE : Le châssis métallique de la cuisinière doit être relié à la terre pour que le tableau de commande puisse fonctionner correctement. Si le châssis métallique de la cuisinière n'est pas relié à la terre, aucune touche du tableau de commande ne peut fonctionner. En cas de doute quant à la qualité de la liaison à la terre du châssis en métal de la cuisinière, consulter un électricien qualifié.

Spécifications de l'alimentation en gaz

AVERTISSEMENT



Risque d'explosion

Utiliser une canalisation neuve d'arrivée de gaz approuvée par la CSA International.

Installer un robinet d'arrêt.

Bien serrer chaque organe de connexion de la canalisation de gaz.

En cas de connexion au gaz propane, demander à une personne qualifiée de s'assurer que la pression de gaz ne dépasse pas 36 cm (14 po) de la colonne d'eau.

Par personne qualifiée, on comprend :

**le personnel autorisé de chauffage,
le personnel autorisé d'une compagnie de gaz, et
le personnel d'entretien autorisé.**

Le non-respect de ces instructions peut causer un décès, une explosion ou un incendie.

Observer toutes les prescriptions des codes et règlements en vigueur.

IMPORTANT : L'installation doit satisfaire aux critères de tous les codes et règlements locaux. En l'absence de code local, l'installation doit satisfaire aux prescriptions de la plus récente édition du : National Fuel Gas Code ANSI Z223.1 (American National Standard), ou CAN/CGA B149 (édition la plus récente).

IMPORTANT : Les tests de fuite de la cuisinière doivent être effectués selon les instructions du fabricant.

Type de gaz

Gaz naturel :

La conception de cette cuisinière a été homologuée par CSA International pour l'alimentation au gaz naturel, ou pour l'alimentation au propane après conversion adéquate.

- Cette cuisinière a été configurée à l'usine pour l'alimentation au gaz naturel. Voir la section "Conversions pour changement de gaz". La plaque signalétique située sur le châssis du four, derrière le côté supérieur droit de la porte du four indique les types de gaz utilisables. Si le type de gaz disponible n'est pas mentionné, consulter le fournisseur de gaz local.

Conversion pour l'alimentation au propane :

L'opération de conversion doit être exécutée par un technicien qualifié.


Consulter le fournisseur de gaz avant toute conversion de l'appareil pour l'utilisation d'un type de gaz qui n'est pas mentionné sur la plaque signalétique. Voir la section "Conversions pour changement de gaz".

Canalisation d'alimentation en gaz

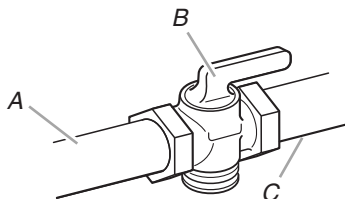
- Installer une canalisation d'alimentation en gaz rigide de $\frac{3}{4}$ " (1,9 cm) jusqu'à l'emplacement d'installation de la cuisinière. L'emploi d'une canalisation de plus petit diamètre ou plus longue peut susciter une déficience du débit d'alimentation. Pour l'alimentation au propane, le diamètre des canalisations doit être de $\frac{1}{2}$ " (1,3 cm) ou plus. Généralement, le fournisseur de gaz propane détermine les matériaux à utiliser et la dimension appropriée.

REMARQUE : On doit utiliser un composé d'étanchéité pour tuyauteries résistant à l'action du gaz propane. Ne pas utiliser de ruban TEFLON[†].

Raccord métallique flexible pour appareil ménager :

- Si les codes locaux le permettent, pour raccorder la cuisinière à la canalisation de gaz, on peut utiliser un raccord métallique flexible pour appareil ménager neuf (homologation CSA) de 4 à 5 pi (122 à 152,4 cm) de longueur, de diamètre interne de $\frac{1}{2}$ " ou $\frac{3}{4}$ " (1,3 ou 1,9 cm).
- 
- Un raccord avec filetage mâle de $\frac{1}{2}$ " (1,3 cm) est nécessaire pour la connexion sur le raccord à filetage femelle à l'entrée du détendeur de l'appareil.
 - Veiller à ne pas déformer ou endommager le tube métallique flexible lors d'un déplacement de la cuisinière.
- Robinet d'arrêt nécessaire :

La canalisation d'alimentation doit comporter un robinet d'arrêt manuel. Le robinet d'arrêt manuel doit être séparé de l'ouverture de la cuisinière, mais doit se trouver dans la même pièce, par exemple dans un placard adjacent. La canalisation doit se trouver en un endroit facilement accessible pour les manœuvres d'ouverture/fermeture. Ne pas entraver l'accès au robinet d'arrêt manuel. Le robinet d'arrêt manuel est prévu pour ouvrir ou fermer l'alimentation en gaz de la cuisinière.



A. Canalisation d'alimentation en gaz
B. Robinet d'arrêt en position d'ouverture
C. Vers la cuisinière

Détendeur

Le détendeur fourni avec cette cuisinière doit être utilisé. Pour un fonctionnement correct, la pression d'alimentation du détendeur doit être comme suit :

Gaz naturel :

Pression minimum : 5" (colonne d'eau)

Pression maximum : 14" (colonne d'eau)

Gaz propane :

Pression minimum : 11" (colonne d'eau)

Pression maximum : 14" (colonne d'eau)

En cas d'incertitude quant à la pression d'alimentation à établir, contacter le fournisseur de gaz local.

Débit thermique des brûleurs

Les débits thermiques indiqués sur la plaque signalétique correspondent à une altitude d'utilisation inférieure ou égale à 2000 pi (609,6 m).

Lorsque l'appareil est utilisé à une altitude supérieure à 2000 pi (609,6 m), on doit réduire le débit thermique indiqué de 4 % pour chaque tranche de 1000 pi (304,8 m) au-dessus du niveau de la mer (pas applicable au Canada).

Tests de pressurisation de la canalisation de gaz

On doit tester le détendeur sous une pression supérieure d'au moins 1" (colonne d'eau) à la pression de la tubulure de distribution indiquée sur la plaque signalétique.

Pressurisation à une pression supérieure à $\frac{1}{2}$ lb/po² (14" - colonne d'eau)

Lors de tout test de pressurisation de ce système à une pression supérieure à $\frac{1}{2}$ lb/po² (3,5 kPa), on doit déconnecter la cuisinière et son robinet d'arrêt individuel de la canalisation de gaz.

Pressurisation à une pression égale ou inférieure à $\frac{1}{2}$ lb/po² (14" - colonne d'eau)

Lors de tout test de pressurisation de la canalisation de gaz à une pression égale ou inférieure à $\frac{1}{2}$ lb/po² (3,5 kPa), on doit isoler la cuisinière de la canalisation de gaz par fermeture de son robinet d'arrêt manuel individuel.

INSTRUCTIONS D'INSTALLATION

Déballage de la cuisinière

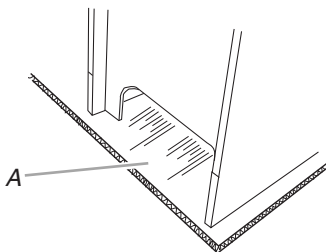
⚠ AVERTISSEMENT

Risque du poids excessif

Utiliser deux ou plus de personnes pour déplacer et installer la cuisinière.

Le non-respect de cette instruction peut causer une blessure au dos ou d'autre blessure.

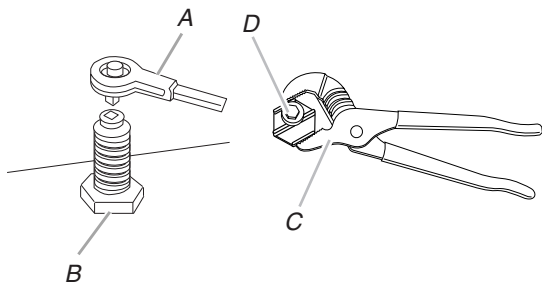
1. Ôter les matériaux d'emballage, le ruban adhésif et le film protecteur de la cuisinière.
2. Retirer les grilles de four et le sachet de pièces de l'intérieur du four.
3. Ne pas enlever la base d'expédition pour l'instant.



A. Base d'expédition

4. Sur les cuisinières équipées d'un tiroir de remisage :

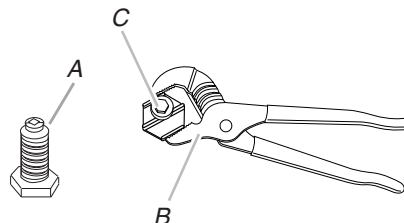
Retirer le tiroir de remisage. Voir la section "Tiroir de remisage". Déployer les pieds de nivellement arrière d'un demi-tour; utiliser une clé à cliquet de 1/4". Déployer les pieds de nivellement avant d'un demi-tour; utiliser une clé ou une pince.



A. Clé à cliquet de 1/4"
B. Pied de nivellement arrière
C. Clé ou pince
D. Pied de nivellement avant

Sur les cuisinières équipées d'un tiroir-réchaud ou tiroir de remisage de qualité supérieure :

Sur les cuisinières équipées d'un tiroir-réchaud ou d'un tiroir de remisage de qualité supérieure, on ne peut pas accéder aux pieds arrière en retirant le tiroir-réchaud ou tiroir de remisage de qualité supérieure. Les pieds arrière doivent être réglés depuis l'extérieur de la cuisinière. Déployer les pieds de nivellement avant et arrière d'un demi-tour; utiliser une clé ou une pince.



A. Pied de nivellement arrière
B. Clé ou pince
C. Pied de nivellement avant

Installation de la bride antibasculement

⚠ AVERTISSEMENT



Risque de basculement

Un enfant ou une personne adulte peut faire basculer la cuisinière, ce qui peut causer un décès.

Fixer la bride antibasculement au plancher ou au mur, conformément aux instructions d'installation.

Faire glisser de nouveau la cuisinière de façon à ce que le pied arrière de la cuisinière se trouve dans la fente de la bride antibasculement.

Réengager la bride antibasculement si la cuisinière a été déplacée.

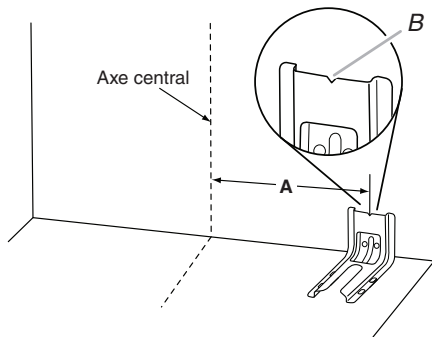
Ne pas faire fonctionner la cuisinière si la bride antibasculement n'est pas installée et engagée.

Le non-respect de ces instructions peut causer un décès ou des brûlures graves aux enfants et aux adultes.

1. Ôter la bride antibasculement fixée par du ruban adhésif à l'intérieur du tiroir de remisage ou du tiroir-réchaud ou tiroir de remisage de qualité supérieure.
2. Déterminer la méthode de montage à utiliser : au plancher ou au mur.

Pour un plancher en pierre ou en briquetage, on peut utiliser la méthode de montage au mur. En cas d'installation de la cuisinière dans une résidence mobile, il est impératif de fixer la cuisinière au sol.

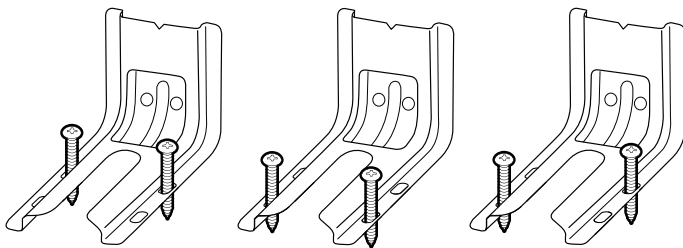
3. Déterminer et marquer l'axe central de l'espace à découper. La bride de montage peut être installée du côté gauche ou droit de la découpe. Positionner la bride de montage contre le mur dans l'ouverture à découper de façon à ce que l'encoche en V de la bride se trouve à $12\frac{9}{16}$ " (31,9 cm) de l'axe central, tel qu'illustré.



A. $12\frac{9}{16}$ " (31,9 cm)
B. Encoche en V de la bride

4. Percer deux trous de $\frac{1}{8}$ " (3 mm) qui correspondent aux trous de la bride selon la méthode de montage déterminée. Voir les illustrations suivantes.

Montage au plancher

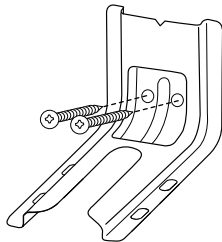


Positionnement par l'arrière

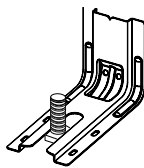
Positionnement par l'avant

En diagonale (2 options)

Montage mural



5. À l'aide du tournevis Phillips, monter la bride antibasculement sur le mur ou sur le plancher avec les deux vis n° 12 x $1\frac{5}{8}$ " fournies.
6. Rapprocher suffisamment la cuisinière de l'ouverture pour permettre le raccordement électrique et le raccordement final au gaz. Retirer la base d'expédition, le carton ou le panneau de fibres dur de sous la cuisinière.
7. Placer la cuisinière dans son emplacement final en s'assurant que le pied de nivellement arrière glisse dans la bride antibasculement.



8. Déplacer la cuisinière vers l'avant sur la base de sa boîte d'expédition, sur une planche en carton ou en matériau de fibres dur pour poursuivre l'installation de la cuisinière à l'aide des instructions d'installation suivantes.

Raccordement à la canalisation de gaz

⚠ AVERTISSEMENT



Risque d'explosion

Utiliser une canalisation neuve d'arrivée de gaz approuvée par la CSA International.

Installer un robinet d'arrêt.

Bien serrer chaque organe de connexion de la canalisation de gaz.

En cas de connexion au gaz propane, demander à une personne qualifiée de s'assurer que la pression de gaz ne dépasse pas 36 cm (14 po) de la colonne d'eau.

Par personne qualifiée, on comprend :

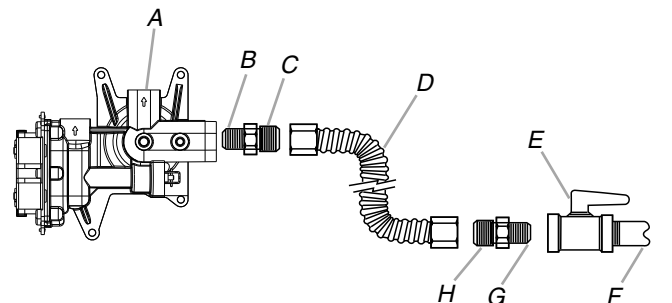
le personnel autorisé de chauffage,
le personnel autorisé d'une compagnie de gaz, et
le personnel d'entretien autorisé.

Le non-respect de ces instructions peut causer un décès, une explosion ou un incendie.

Raccordement typique par raccord flexible

1. Appliquer un composé d'étanchéité des filetages résistant au propane sur l'extrémité fileté la plus petite des adaptateurs de raccord flexible (voir B et G dans l'illustration ci-dessous).
2. Fixer un raccord d'adaptation sur le détendeur et l'autre raccord d'adaptation sur le robinet d'arrêt de la canalisation de gaz. Serrer les deux raccords d'adaptation en s'assurant de ne pas déplacer ou tourner le détendeur.
3. À l'aide d'une clé mixte de $1\frac{5}{16}$ " et d'une clé à molette, visser le raccord flexible sur les raccords d'adaptation.

IMPORTANT : Tous les raccords doivent être bien serrés à l'aide d'une clé. Ne pas serrer excessivement la connexion sur le détendeur. Un serrage excessif pourrait provoquer une fissuration du détendeur et une fuite de gaz. Lors du serrage des raccords, empêcher le détendeur de tourner.



A. Détendeur

B. Appliquer un composé d'étanchéité

C. Raccord d'adaptation (avec filetage mâle de $\frac{1}{2}$ ")

D. Raccord flexible

E. Robinet d'arrêt manuel

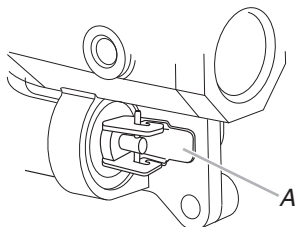
F. Tuyau de gaz de $\frac{1}{2}$ " ou $\frac{3}{4}$ "

G. Appliquer un composé d'étanchéité

H. Raccord d'adaptation

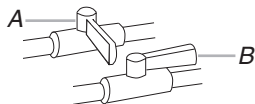
Compléter le raccordement

1. Vérifier que le robinet d'arrêt du détendeur est à la position "on" (ouvert).



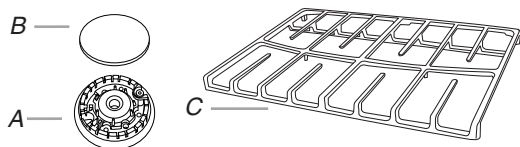
A. Robinet d'arrêt du détendeur montré à la position "on" (ouvert)

2. Ouvrir le robinet d'arrêt manuel sur la canalisation de gaz. Le robinet est ouvert lorsque la manette est parallèle au tuyau.



A. Robinet d'arrêt fermé
B. Robinet d'arrêt ouvert

3. Effectuer une recherche des fuites : appliquer au pinceau sur les connexions une solution approuvée non corrosive de détection des fuites; la formation de bulles identifiera une fuite. Éliminer toute fuite constatée.
4. Prendre les chapeaux de brûleur et grilles de brûleur de la table de cuisson dans le paquet de pièces. Un chapeau de brûleur correctement placé doit être horizontal. Si le chapeau de brûleur n'est pas correctement placé, le brûleur de surface ne peut s'allumer. Placer les grilles de brûleur sur les brûleurs et leurs chapeaux.



A. Base de brûleur
B. Chapeau de brûleur
C. Grille de brûleur

⚠ AVERTISSEMENT



Risque de choc électrique

Brancher sur une prise à 3 alvéoles reliée à la terre.

Ne pas enlever la broche de liaison à la terre.

Ne pas utiliser un adaptateur.

Ne pas utiliser un câble de rallonge.

Le non-respect de ces instructions peut causer un décès, un incendie ou un choc électrique.

5. Brancher sur une prise à 3 alvéoles reliée à la terre.
6. Faire glisser la cuisinière dans son emplacement final en s'assurant que le pied de nivellement arrière glisse dans la fente de la bride antibasculement.

Vérifier que la bride antibasculement est bien installée et engagée

Sur les modèles avec tiroir de remisage :

1. Retirer le tiroir de remisage. Voir la section "Tiroir de remisage".
2. Au moyen d'une torche électrique, inspecter le dessous de la cuisinière.
3. Inspecter la cuisinière pour vérifier que le pied arrière de la cuisinière se trouve dans la fente de la bride antibasculement.

Sur les modèles avec tiroir-réchaud ou tiroir de remisage de qualité supérieure :

1. Placer l'extérieur du pied contre la partie inférieure avant du tiroir-réchaud ou tiroir de remisage de qualité supérieure et saisir le côté inférieur droit ou gauche du tableau de commande tel qu'indiqué.

REMARQUE : Si le plan de travail comporte un dosseret, il faudra peut-être saisir la cuisinière plus haut que ce qu'indique l'illustration.



2. Tenter d'incliner la cuisinière vers l'avant avec précaution. Si vous rencontrez une résistance immédiate, cela signifie que le pied de la cuisinière est engagé dans la bride antibasculement.
3. Si l'arrière de la cuisinière se soulève de plus de 1/2" (1,3 cm) du plancher sans opposer de résistance, cesser d'incliner la cuisinière et la reposer doucement sur le plancher. Le pied de la cuisinière n'est pas engagé dans la bride antibasculement.

IMPORTANT : Si l'on entend un claquement ou un bruit d'éclatement lorsqu'on soulève la cuisinière, cela signifie peut-être que la cuisinière n'est pas bien engagée dans la bride. Vérifier qu'aucune obstruction n'empêche la cuisinière de glisser vers le mur ou le pied de la cuisinière de glisser dans la bride. Vérifier que la bride est fermement maintenue en place par les vis de montage.

4. Glisser la cuisinière vers l'avant et vérifier que la bride antibasculement est bien fixée au plancher ou au mur.

5. Faire glisser de nouveau la cuisinière de façon à ce que le pied arrière de la cuisinière se trouve dans la fente de la bride antibasculement.

IMPORTANT : Si l'arrière de la cuisinière se trouve à plus de 2" (5,1 cm) du mur de montage, cela signifie que le pied arrière de la cuisinière n'est pas engagé dans la bride. Glisser la cuisinière vers l'avant et déterminer si un objet fait obstruction entre la cuisinière et la paroi de montage. Les modifications apportées à l'alimentation en gaz doivent être effectuées par un dépanneur qualifié. Pour assistance ou dépannage, consulter la section "Garantie" des instructions d'utilisation pour obtenir les coordonnées des personnes à contacter.

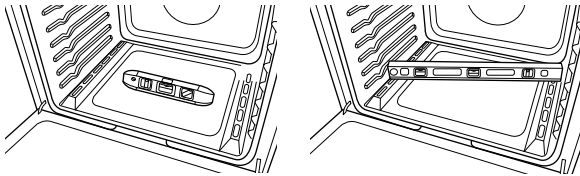
6. Répéter les étapes 1 et 2 pour s'assurer que le pied de la cuisinière est bien engagé dans la bride antibasculement.
Si l'arrière de la cuisinière se soulève de plus de 1/2" (1,3 cm) du plancher sans opposer de résistance, cela peut signifier que la bride antibasculement n'est pas correctement installée. Ne pas faire fonctionner la cuisinière si la bride antibasculement n'est pas installée et engagée. Consulter la section "Garantie" des instructions d'utilisation pour obtenir les coordonnées des personnes à contacter.

Réglage de l'aplomb de la cuisinière

Déterminer si vous possédez la technologie AquaLift® ou Steam Clean (nettoyage à la vapeur) en consultant la section "Entretien de la cuisinière" des instructions d'utilisation.

Pour les cuisinières équipées de la technologie AquaLift® ou Steam Clean (nettoyage à la vapeur) :

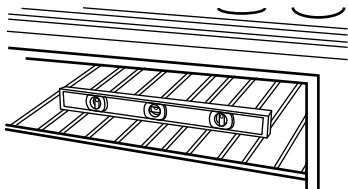
1. En fonction de la taille du niveau, placer le niveau sur le bas du four tel qu'indiqué dans l'une des deux figures ci-dessous. Contrôler l'aplomb transversal et dans le sens avant/arrière.



2. Si la cuisinière n'est pas d'aplomb, la tirer vers l'avant jusqu'à ce que le pied de nivellement arrière se dégage de la bride antibasculement.
3. Suivre les instructions fournies pour le type 1 ou 2, en fonction du type de tiroir fourni avec la cuisinière.

Pour les cuisinières dépourvues de la technologie AquaLift® ou Steam Clean (nettoyage à la vapeur) :

1. Placer une grille standard dans le four.
2. Placer un niveau sur la grille et contrôler l'aplomb de la cuisinière, d'abord transversalement, puis dans le sens avant/arrière.



3. Si la cuisinière n'est pas d'aplomb, la tirer vers l'avant jusqu'à ce que le pied de nivellement arrière se dégage de la bride antibasculement.
4. Suivre les instructions fournies pour le type 1 ou 2, en fonction du type de tiroir fourni avec la cuisinière.

Style 1 : Sur les cuisinières équipées d'un tiroir de remisage :

Utiliser une clé à cliquet de 1/4", une clé ou une pince pour régler les pieds de nivellement vers le haut ou vers le bas jusqu'à ce que la cuisinière soit d'aplomb. Repousser la cuisinière pour la remettre en place. Vérifier que le pied de nivellement arrière est engagé dans la bride antibasculement.

Style 2 : Sur les cuisinières équipées d'un tiroir-réchaud ou tiroir de remisage de qualité supérieure :

Utiliser une clé ou une pince pour régler les pieds de nivellement vers le haut ou vers le bas jusqu'à ce que la cuisinière soit d'aplomb. Repousser la cuisinière pour la remettre en place. Vérifier que le pied de nivellement arrière est engagé dans la bride antibasculement.

REMARQUE : La cuisinière doit être d'aplomb pour que les résultats de cuisson au four soient satisfaisants et les résultats de nettoyage idéaux avec les fonctions de technologie AquaLift® et Steam Clean (nettoyage à la vapeur).

Système d'allumage électronique

Allumage initial et réglages des flammes de gaz

Un système d'allumage électronique est utilisé à la place des flammes de veille usuelles pour l'allumage des brûleurs (table de cuisson et four). Lorsqu'on place le bouton de commande d'un brûleur de la table de cuisson à la position "LITE" (allumage), le système génère des étincelles pour l'allumage du brûleur. La génération d'étincelles se poursuit aussi longtemps que le bouton de commande est laissé à la position "LITE".

Lorsqu'on place le bouton de commande du brûleur du four à la position désirée, les étincelles générées provoquent l'inflammation du gaz.

Contrôle du fonctionnement des brûleurs de la table de cuisson

Brûleurs standard de la table de cuisson

Tourner le bouton de commande du brûleur à la position "LITE" (allumage).

Les flammes doivent s'allumer sur le brûleur en moins de 4 secondes. Lors de l'allumage initial, le délai d'allumage peut être supérieur à 4 secondes du fait de la présence d'air dans la canalisation de gaz.

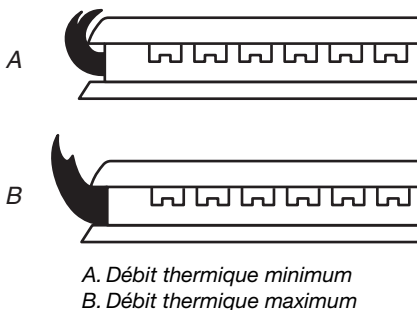
Si les brûleurs ne s'allument pas correctement :

- Ramener le bouton de commande de la table de cuisson à la position d'arrêt.
- Vérifier que la cuisinière est branchée. Vérifier que le disjoncteur ne s'est pas déclenché ou qu'aucun fusible n'est grillé
- Vérifier que chaque robinet d'arrêt de gaz est ouvert.
- Vérifier que le chapeau de brûleur est correctement placé sur la base du brûleur.

Répéter le processus de mise en marche. Si à ce point un brûleur ne s'allume pas, tourner les boutons de commande à la position d'arrêt et contacter le revendeur ou un dépanneur agréé.

Réglage de la taille des flammes

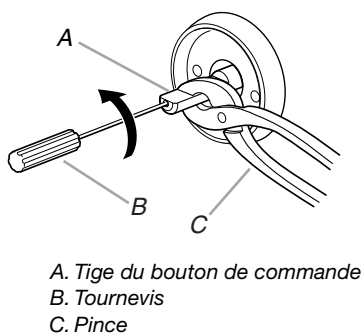
Régler la taille des flammes sur les brûleurs de la table de cuisson. Pour le réglage au débit thermique minimum, on doit observer des flammes stables bleues d'une hauteur de $\frac{3}{8}$ " (9,5 mm).



Réglage des brûleurs standard :

La vis de réglage au centre de la tige de commande du robinet permet de régler la taille des flammes. La tige de commande du robinet est située directement au-dessous du bouton de commande.

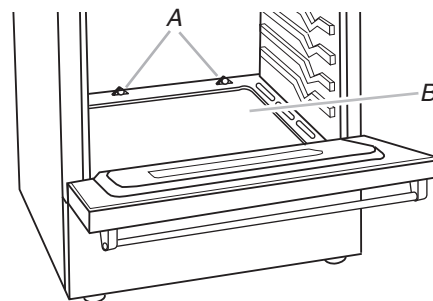
S'il est nécessaire de régler la taille des flammes pour le débit thermique minimum :



1. Allumer un brûleur et tourner pour obtenir le réglage le plus faible.
2. Ôter le bouton de commande.
Immobiliser la tige de commande du bouton avec une pince. Utiliser un petit tournevis à lame plate pour faire tourner la vis située au centre de la tige de commande; ajuster les flammes à la taille désirée.
3. Réinstaller le bouton de commande.
4. Tester les flammes en tournant le bouton de commande de la position "LO" (basse) à la position "HI" (élevée), observer les flammes pour chaque réglage et s'assurer qu'elles sont stables.
5. Répéter cette procédure pour chacun des brûleurs.

Contrôle du fonctionnement du brûleur de cuisson au four

1. Ôter la grille du four.
2. Pour retirer la partie inférieure du four : Ôter 2 vis à l'arrière de la partie inférieure du four. Soulever l'arrière de la partie inférieure du four vers le haut et l'arrière jusqu'à ce que l'avant du panneau se trouve hors du cadre avant. Le retirer du four et placer la plaque de couverture sur une surface protégée.



A. Vis
B. Partie inférieure du four

3. Pour vérifier la flamme du brûleur, utiliser un miroir.
Insérer un miroir sur un côté du brûleur. Regarder dans le miroir pour vérifier la flamme.
4. Appuyer sur la touche BAKE (cuisson au four).
5. Appuyer sur la touche START (mise en marche).

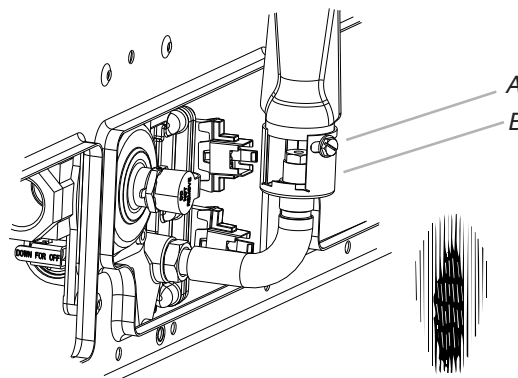
Le brûleur de cuisson au four devrait s'allumer en moins de 8 secondes; dans certaines conditions, l'allumage peut ne survenir qu'après 50 à 60 secondes.

Un dispositif d'allumage électronique est utilisé pour l'allumage des brûleurs du four et du gril.

Consulter le Guide d'utilisation et d'entretien pour le bon fonctionnement des commandes du four.

Réglage de la taille des flammes sur le brûleur de cuisson au four (le cas échéant)

1. Sur les modèles avec tiroir-réchaud, retirer la plaque de fermeture de l'ouverture d'accès (1 vis) située à l'arrière du compartiment du tiroir-réchaud.
2. Observer les flammes sur le brûleur de cuisson au four pour déterminer si un réglage est nécessaire.
Il doit y avoir sur le brûleur des flammes comportant un cône interne bleu-vert de $\frac{1}{2}$ " (1,3 cm) et une zone externe bleu foncé; la forme des flammes doit être nette et douce. On ne doit pas observer de pointes jaunes, ni d'effet de soufflage ou de séparation entre les flammes et le brûleur.
3. S'il est nécessaire de régler la taille des flammes, identifier la virole de réglage de l'admission d'air près du centre/à l'arrière de la cuisinière. Desserrer la vis de blocage et faire tourner la virole pour établir des flammes de configuration correcte. Resserrer la vis de blocage de la virole.



A. Vis de blocage
B. Virole de réglage de l'admission d'air

4. Appuyer sur la touche CANCEL/OFF (annulation/arrêt) une fois terminé.
5. Réinstaller le répartiteur de flammes et la plaque de couverture du brûleur de four.

Contrôle du fonctionnement du brûleur du grill

1. Fermer la porte du four.
2. Appuyer sur la touche BROIL (gril).
3. Appuyer sur la touche START (mise en marche).

Le brûleur du four devrait s'allumer en moins de 8 secondes; dans certaines conditions, l'allumage peut ne survenir qu'après 50 à 60 secondes.

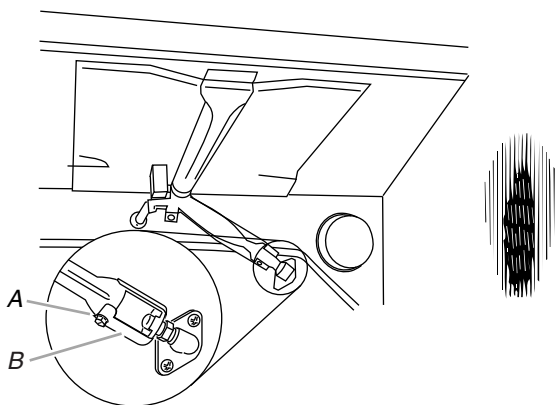
Consulter le Guide d'utilisation et d'entretien pour le bon fonctionnement des commandes du four.

Réglage de la taille des flammes sur le brûleur du grill (le cas échéant)

Examiner les flammes sur le brûleur du grill à travers le hublot du four. Il doit y avoir sur le brûleur des flammes comportant un cône interne bleu-vert de 1/2" (1,3 cm) et une zone externe bleu foncé; la forme des flammes doit être nette et douce. On ne doit pas observer de pointes jaunes, ni d'effet de soufflage ou de séparation entre les flammes et le brûleur.

S'il est nécessaire de régler la taille des flammes :

1. Desserrer la vis de blocage de la virole de réglage de l'admission d'air, à l'arrière du brûleur du grill.
2. Régler l'admission d'air selon le besoin.
3. Resserrer la vis de blocage.



A. Vis de blocage
B. Virole de réglage de l'admission d'air

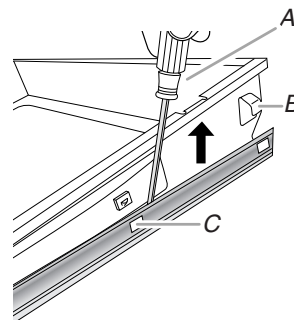
4. Appuyer sur la touche CANCEL/OFF (annulation/arrêt) une fois terminé.

Tiroir-réchaud ou tiroir de remisage de qualité supérieure (sur certains modèles)

Enlever tous les articles de l'intérieur du tiroir-réchaud ou tiroir de remisage de qualité supérieure et laisser la cuisinière refroidir complètement avant d'essayer d'enlever le tiroir.

Dépose :

1. Ouvrir complètement le tiroir-réchaud ou tiroir de remisage de qualité supérieure.
2. À l'aide d'un tournevis à lame plate, desserrer doucement le tiroir-réchaud ou le tiroir de remisage de qualité supérieure pour le dégager de l'encoche d'alignement de glissière et soulever l'onglet d'alignement du tiroir pour le dégager de la glissière.

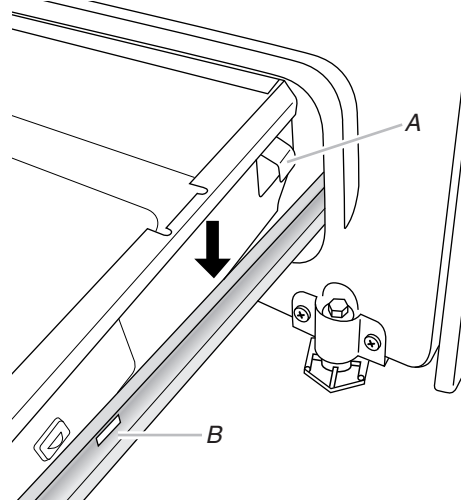


A. Tournevis à lame plate
B. Onglet d'alignement du tiroir
C. Encoche de glissière du tiroir

3. Répéter l'étape 2 pour l'autre côté. Le tiroir-réchaud ou le tiroir de remisage de qualité supérieure n'est plus fixé aux glissières de tiroir. Avec les deux mains, saisir le tiroir-réchaud ou le tiroir de remisage de qualité supérieure pour le retirer complètement.

Réinstallation :

1. Aligner les encoches de l'avant du tiroir avec les encoches des glissières latérales à l'intérieur du tiroir (de chaque côté). Placer les onglets d'alignement arrière dans les glissières de tiroir (de chaque côté).



A. Onglet d'alignement du tiroir
B. Encoche de glissière du tiroir

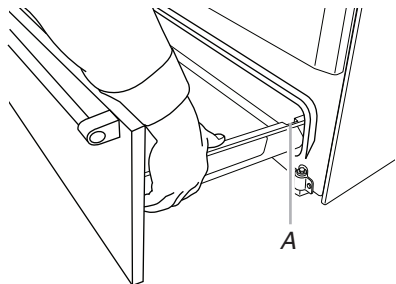
2. Pousser le tiroir-réchaud ou tiroir de remisage de qualité supérieure complètement.
3. Ouvrir et fermer délicatement le tiroir-réchaud ou tiroir de remisage de qualité supérieure pour s'assurer qu'il est bien engagé dans les glissières (de chaque côté).

Tiroir de remisage (sur certains modèles)

Le tiroir de remisage peut être enlevé. Avant de l'enlever, s'assurer que le tiroir est froid et vide.

Dépose :

1. Tirer le tiroir de remisage en ligne droite vers l'arrière jusqu'à la butée du tiroir.

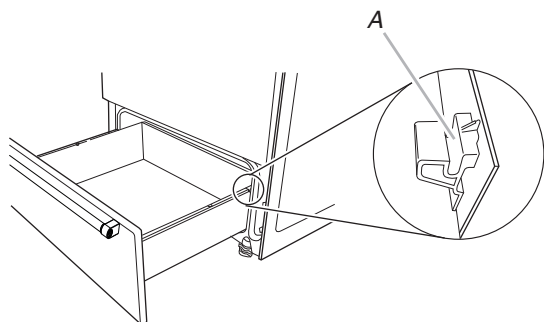


A. Encoche de la butée du tiroir

2. Soulever l'avant du tiroir et retirer ce dernier.

Réinstallation :

1. Soulever l'avant du tiroir et placer l'arrière du tiroir dans la cuisinière de façon à ce que l'encoche de butée du tiroir se trouve derrière la glissière du tiroir.
2. Abaisser le tiroir de façon à ce que le bord de la glissière s'insère dans l'encoche de la glissière de tiroir.
3. Enfoncer lentement le tiroir dans la cuisinière.



A. Engager la glissière du tiroir.

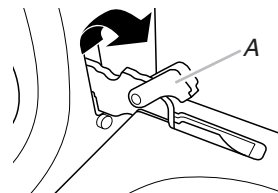
REMARQUE : Lorsque le tiroir est correctement installé, les glissières de la base s'engagent dans les glissières arrière du fond du tiroir et le tiroir lui-même ne s'incline pas lorsqu'on place des objets à l'intérieur.

Porte du four

Il n'est pas recommandé d'enlever la porte du four pour une utilisation normale. Toutefois, si la dépose est nécessaire, s'assurer que le four est éteint et froid. Puis, suivre ces instructions. La porte du four est lourde.

Dépose :

1. Ouvrir la porte du four complètement.
2. Pincer le loquet de charnière entre les deux doigts et tirer vers l'avant. Répéter ces opérations pour l'autre côté de la porte du four.



A. Loquet de charnière

3. Fermer la porte du four aussi loin qu'elle peut aller.
4. Soulever la porte du four en la retenant de chaque côté. Continuer de maintenir la porte du four fermée et la dégager du châssis de la porte du four.



Réinstallation :

1. Insérer les deux bras de suspension dans la porte.



2. Ouvrir la porte du four. Vous devriez entendre un déclic lors de la mise en place de la porte.
3. Remettre les leviers des charnières à la position verrouillée. Effectuer quelques manœuvres d'ouverture/fermeture de la porte du four pour vérifier le bon fonctionnement. En cas d'impossibilité d'ouverture ou de fermeture parfaite de la porte, répéter le processus de dépose et d'installation de la porte.

Achever l'installation

1. Vérifier que toutes les pièces sont maintenant installées. S'il reste une pièce inutilisée, passer en revue les différentes étapes pour découvrir laquelle aurait été oubliée.
2. Vérifier la présence de tous les outils.
3. Jeter ou recycler tous les matériaux d'emballage.
4. Contrôler l'aplomb de la cuisinière. Voir "Réglage de l'aplomb de la cuisinière".
5. Utiliser une solution d'eau tiède et de nettoyant ménager liquide doux pour éliminer tout résidu de cire laissé par les matériaux de protection de l'emballage. Sécher parfaitement avec un linge doux. Pour plus d'informations, consulter la section "Entretien de la cuisinière" dans le Guide d'utilisation et d'entretien ou les instructions d'utilisation.
6. Lire le Guide d'utilisation et d'entretien ou les Instructions d'utilisation.
7. Mettre en marche les brûleurs de surface et le four. Pour des instructions spécifiques concernant l'utilisation de la cuisinière, consulter le Guide d'utilisation et d'entretien ou les instructions d'utilisation.

Si la cuisinière ne fonctionne pas, contrôler ce qui suit :

- Le fusible du domicile est intact et bien serré, ou le disjoncteur ne s'est pas déclenché.
 - La cuisinière est branchée directement sur une prise de courant à 3 alvéoles, reliée à la terre.
 - Le robinet d'arrêt du détendeur est à la position "marche".
 - Le raccordement de l'alimentation électrique a été effectué.
 - Consulter la section "Dépannage" dans le Guide d'utilisation et d'entretien ou les Instructions d'utilisation.
8. Après 5 minutes de fonctionnement de la cuisinière, évaluer le niveau de chaleur. Si la cuisinière est froide, arrêter la cuisinière et déterminer si le robinet d'arrêt d'alimentation en gaz est ouvert.
- Si le robinet d'arrêt de l'alimentation en gaz est fermé, l'ouvrir, puis répéter le test de 5 minutes décrit ci-dessus.
 - Si le robinet d'arrêt de l'alimentation en gaz est ouvert, appuyer sur le bouton CANCEL (annulation) sur le tableau de commande du four et contacter un technicien qualifié.

Si vous avez besoin d'assistance ou de service :

Veillez consulter la section "Garantie" dans le Guide d'utilisation et d'entretien ou les instructions d'utilisation.

CONVERSIONS POUR CHANGEMENT DE GAZ

Les conversions pour changement de gaz naturel à propane ou de propane à gaz naturel doivent être effectuées par un installateur qualifié.

⚠ AVERTISSEMENT



Risque d'explosion

Utiliser une canalisation neuve d'arrivée de gaz approuvée par la CSA International.

Installer un robinet d'arrêt.

Bien serrer chaque organe de connexion de la canalisation de gaz.

En cas de connexion au gaz propane, demander à une personne qualifiée de s'assurer que la pression de gaz ne dépasse pas 36 cm (14 po) de la colonne d'eau.

Par personne qualifiée, on comprend :

le personnel autorisé de chauffage,
le personnel autorisé d'une compagnie de gaz, et
le personnel d'entretien autorisé.

Le non-respect de ces instructions peut causer un décès, une explosion ou un incendie.

Conversion pour l'alimentation au propane

⚠ AVERTISSEMENT



Risque de basculement

Un enfant ou une personne adulte peut faire basculer la cuisinière, ce qui peut causer un décès.

Fixer la bride antibasculement au plancher ou au mur, conformément aux instructions d'installation.

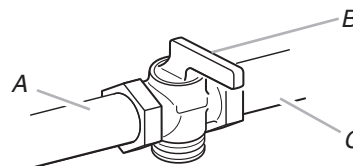
Faire glisser de nouveau la cuisinière de façon à ce que le pied arrière de la cuisinière se trouve dans la fente de la bride antibasculement.

Réengager la bride antibasculement si la cuisinière a été déplacée.

Ne pas faire fonctionner la cuisinière si la bride antibasculement n'est pas installée et engagée.

Le non-respect de ces instructions peut causer un décès ou des brûlures graves aux enfants et aux adultes.

1. Tourner le robinet d'arrêt manuel pour le placer à la position de fermeture.



A. Vers la cuisinière

B. Robinet d'arrêt manuel à la position "fermée".

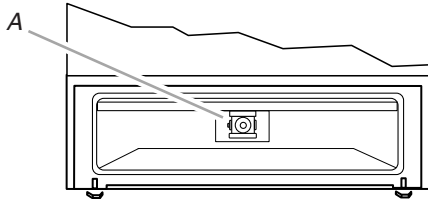
C. Canalisation d'alimentation en gaz

2. Débrancher la cuisinière ou déconnecter la source de courant électrique.

Conversion du détendeur de gaz (de gaz naturel à gaz propane)

1. Retirer le tiroir de remisage ou tiroir-réchaud. Voir la section "Tiroir de remisage" ou "Tiroir-réchaud ou tiroir de remisage de qualité supérieure".
2. Identifier le détendeur à l'arrière du tiroir de remisage ou du tiroir-réchaud.

REMARQUE : Pour les modèles avec tiroir-réchaud, on doit enlever le couvercle d'accès au détendeur.

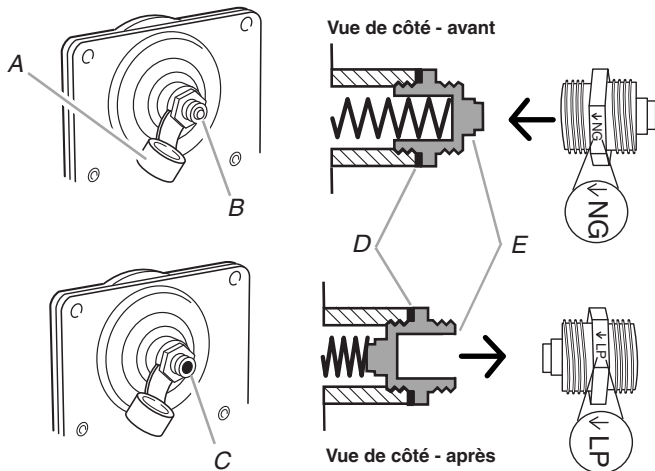


A. Détendeur

IMPORTANT : Ne pas enlever le détendeur.

3. Ôter le capuchon en plastique du capuchon du détendeur.
4. Avec une clé mixte de 5/8", tourner le capuchon du détendeur dans le sens antihoraire pour l'enlever.

REMARQUE : Ne pas enlever le ressort situé sous le capuchon.



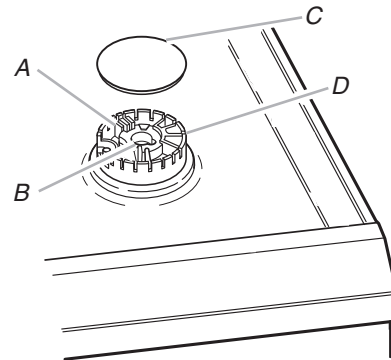
- A. Capuchon en plastique
 B. Capuchon du détendeur; extrémité borgne vers l'extérieur
 C. Capuchon du détendeur; extrémité creuse ouverte vers l'extérieur
 D. Rondelle
 E. Capuchon du détendeur

5. Retourner le capuchon du détendeur et le réinstaller sur le détendeur de façon à ce que l'extrémité creuse soit orientée vers l'extérieur et que l'indication "↓LP" soit orientée de la manière indiquée à l'illustration ci-dessus.
6. Réinstaller le capuchon en plastique par-dessus le capuchon du détendeur.

Conversion des brûleurs de surface (de gaz naturel à gaz propane)

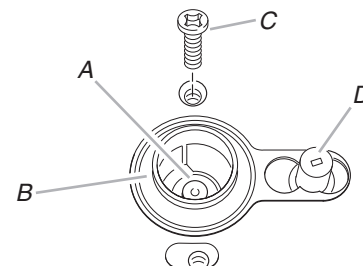
1. Ôter le chapeau de brûleur.
2. À l'aide d'un tournevis Phillips ou Quadrex®, enlever la base du brûleur.

REMARQUE : Réinstaller l'une des vis à travers la table de cuisson pour qu'elle maintienne le porte-gicleur en place pendant les opérations de dépose et remplacement des gicleurs.



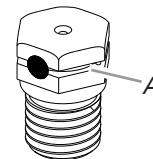
- A. Électrode d'allumage
 B. Ouverture du tube d'arrivée de gaz
 C. Chapeau de brûleur
 D. Base du brûleur

3. Appliquer du ruban adhésif de masquage à l'extrémité d'un tourne-écrou de 7 mm (9/32") pour retenir le gicleur du brûleur dans le tourne-écrou durant l'extraction. Placer le tourne-écrou sur le gicleur; faire tourner dans le sens antihoraire et soulever pour enlever le gicleur. Conserver à part le gicleur du brûleur.



- A. Gicleur
 B. Support du gicleur
 C. Vis
 D. Électrode d'étincelle

4. Retirer le porte-gicleur de carton livré dans le sachet de documentation dans le four. Chaque gicleur est marqué d'un code d'identification gravé et d'un point coloré, et comporte une rainure dans la zone hexagonale. Remplacer le gicleur pour gaz naturel par le gicleur pour propane correct.



A. Rainure pour gaz propane

Le tableau qui suit permet de sélectionner le gicleur pour propane correct pour chaque brûleur.

Gicleur pour propane pour brûleurs de surface

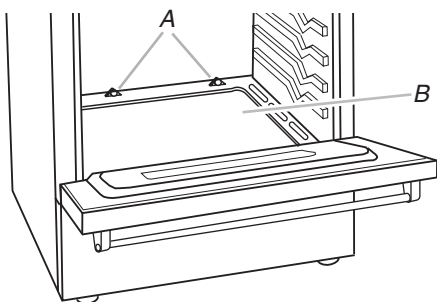
Puissance thermique	Couleur	Taille	Code d'identification
14 000 BTU	Jaune/Orange	1,07 mm	L107
11 000 BTU	Jaune/Marron	0,99 mm	L99
8 000 BTU	Jaune/Noir	0,85 mm	L85
5 000 BTU	Jaune/Blanc	0,70 mm	L70

REMARQUE : Voir la plaque signalétique située sur le châssis du four, derrière le côté supérieur droit de la porte du four pour connaître la taille de gicleur à utiliser pour chaque brûleur (selon sa position).

- Placer le gicleur pour gaz naturel sur le porte-gicleur de carton.
- Réinstaller la base du brûleur – utiliser les deux vis.
- Réinstaller le chapeau de brûleur.
- Répéter les étapes 1 à 7 pour les autres brûleurs.

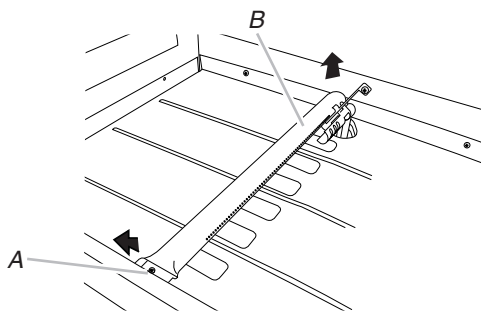
Conversion du brûleur de cuisson au four (de gaz naturel à gaz propane)

- Retirer les grilles du four.
- Ôter 2 vis à l'arrière de la partie inférieure du four.
- Soulever l'arrière de la partie inférieure du four vers le haut et l'arrière jusqu'à ce que l'avant du panneau se trouve hors du cadre avant. Le retirer du four et le mettre de côté sur une surface couverte.



A. Vis
B. Partie inférieure du four

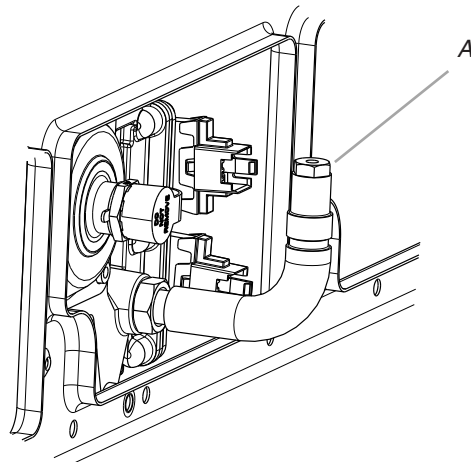
- Ôter 1 vis du brûleur de cuisson au four.
- Faire glisser l'avant du brûleur de cuisson au four sur le côté pour retirer l'onglet de l'avant du four. Retirer l'arrière du brûleur de cuisson au four de l'orifice du four, et mettre le brûleur de cuisson au four de côté.



A. Vis
B. Brûleur de cuisson au four

- Utiliser un tourne-écrou de $\frac{3}{8}$ " ou une clé mixte et tourner le gicleur du brûleur pour gaz naturel dans le sens antihoraire pour l'enlever. Le gicleur portera la mention "47".

- Remplacer le gicleur "47" par un gicleur "56". Installer le gicleur pour gaz propane du brûleur de cuisson au four en le tournant dans le sens horaire jusqu'à ce qu'il soit serré. **IMPORTANT :** Ne pas serrer excessivement.

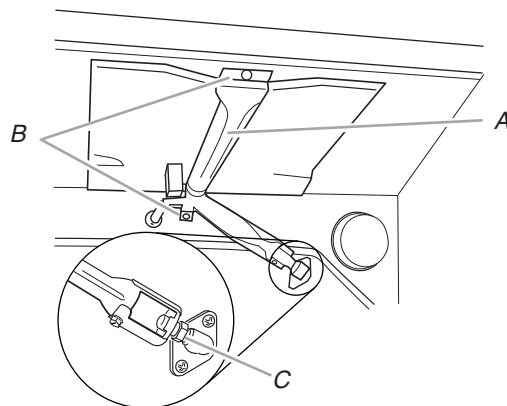


A. Gicleur

- Positionner l'arrière du brûleur de cuisson au four sur l'orifice du four et insérer l'onglet situé à l'avant du brûleur de cuisson au four dans l'avant du four.
- Réinstaller le brûleur de cuisson au four avec 1 vis.
- Positionner l'avant du panneau inférieur du four vers le châssis avant et abaisser l'arrière du panneau du fond du four pour l'insérer dans le four.
- Réinstaller le panneau du fond du four avec 2 vis.

Conversion du brûleur de cuisson au grill (de gaz naturel à gaz propane)

- Ôter la vis du brûleur de cuisson au grill.
- Retirer le brûleur de cuisson au grill de l'injecteur femelle du brûleur de cuisson au grill. **REMARQUE :** Le brûleur de cuisson au grill pend à l'arrière du four pendant que l'on change l'injecteur femelle.

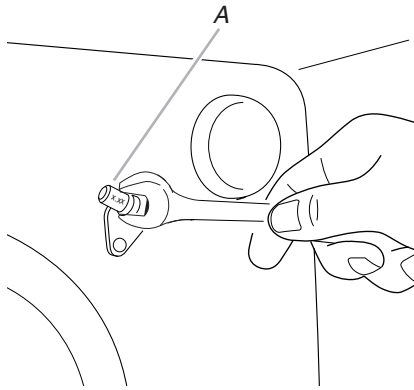


A. Brûleur de cuisson au grill
B. Vis
C. Injecteur femelle

- Utiliser une clé mixte de $\frac{3}{8}$ " pour tourner l'injecteur femelle du brûleur de cuisson au grill pour gaz naturel dans le sens antihoraire pour l'enlever. Le gicleur portera la mention "155".

- Remplacer l'injecteur femelle "155" par un injecteur femelle "100". Installer l'injecteur femelle du brûleur du grill pour gaz propane en le tournant dans le sens horaire jusqu'à ce qu'il soit serré.

IMPORTANT : Ne pas serrer excessivement.



A. Injecteur femelle

- Placer le brûleur de cuisson au grill sur l'injecteur femelle du brûleur de cuisson au grill et insérer l'allumeur en céramique du brûleur de cuisson au grill dans le trou situé à l'arrière du four.
- Positionner le brûleur de cuisson au grill contre la partie supérieure du four et le fixer avec 2 vis.
- Réinstaller le tiroir de remisage ou le tiroir-réchaud. Voir la section "Tiroir de remisage" ou "Tiroir-réchaud ou tiroir de remisage de qualité supérieure".
- Réinstaller la porte du four si elle a été retirée. Voir la section "Porte du four".
- Réinstaller les grilles du four.

Achever l'installation (de gaz naturel à propane)

- Pour le raccordement correct de la cuisinière à l'alimentation en gaz, se reporter à la section "Raccordement au gaz".
- Pour l'allumage et l'utilisation corrects du brûleur ainsi que le réglage des flammes sur le brûleur, voir la section "Système d'allumage électronique".

IMPORTANT : Il peut être nécessaire de modifier le réglage des flammes à la position du débit thermique minimum "LO" pour chaque brûleur de la table de cuisson.

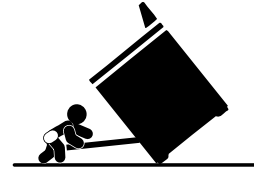
Il est très important de vérifier l'établissement de flammes correctes sur les brûleurs de la table de cuisson, le brûleur de cuisson au four et le brûleur de cuisson au grill. Le petit cône interne doit comporter une flamme bleue très distincte de 1/4" (0,64 cm) à 1/2" (1,3 cm) de longueur. Le cône externe n'est pas aussi distinct que le cône interne. Les flammes d'un brûleur alimenté au propane comportent une pointe légèrement jaune.

- Voir le paragraphe "Achever l'installation" de la section "Instructions d'installation" du présent manuel pour achever cette procédure.

REMARQUE : S'assurer de bien conserver les gicleurs qui ont été remplacés au cours de la conversion.

Conversion pour l'alimentation au gaz naturel

⚠ AVERTISSEMENT



Risque de basculement

Un enfant ou une personne adulte peut faire basculer la cuisinière, ce qui peut causer un décès.

Fixer la bride antibasculement au plancher ou au mur, conformément aux instructions d'installation.

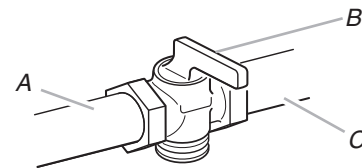
Faire glisser de nouveau la cuisinière de façon à ce que le pied arrière de la cuisinière se trouve dans la fente de la bride antibasculement.

Réengager la bride antibasculement si la cuisinière a été déplacée.

Ne pas faire fonctionner la cuisinière si la bride antibasculement n'est pas installée et engagée.

Le non-respect de ces instructions peut causer un décès ou des brûlures graves aux enfants et aux adultes.

- Tourner le robinet d'arrêt manuel pour le placer à la position de fermeture.



A. Vers la cuisinière

B. Robinet d'arrêt manuel à la position "fermée".

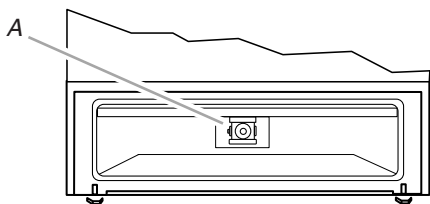
C. Canalisation d'alimentation en gaz

- Débrancher la cuisinière ou déconnecter la source de courant électrique.

Conversion du détendeur de gaz (de gaz propane à gaz naturel)

1. Retirer le tiroir de remisage ou tiroir-réchaud. Voir la section "Tiroir de remisage" ou "Tiroir-réchaud ou tiroir de remisage de qualité supérieure".
2. Identifier le détendeur à l'arrière du tiroir de remisage ou du tiroir-réchaud.

REMARQUE : Pour les modèles avec tiroir-réchaud, on doit enlever le couvercle d'accès au détendeur.

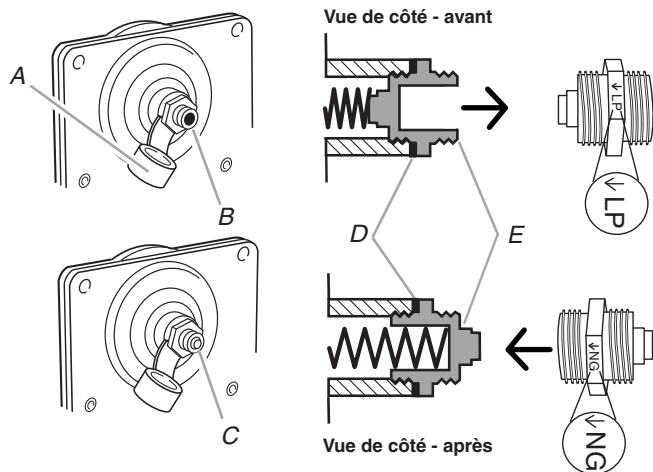


A. Détendeur

IMPORTANT : Ne pas enlever le détendeur.

3. Ôter le capuchon en plastique du capuchon du détendeur.
4. Avec une clé mixte de 5/8", tourner le capuchon du détendeur dans le sens antihoraire pour l'enlever.

REMARQUE : Ne pas enlever le ressort situé sous le capuchon.



- A. Capuchon en plastique
 B. Capuchon du détendeur; extrémité creuse ouverte vers l'extérieur
 C. Capuchon du détendeur; extrémité borgne vers l'extérieur
 D. Rondelle
 E. Capuchon du détendeur

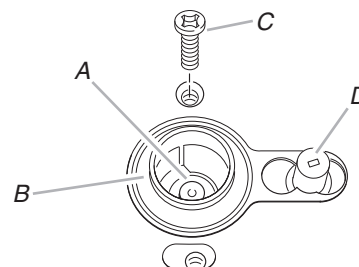
5. Retourner le capuchon du détendeur et le réinstaller sur le détendeur de façon à ce que l'extrémité borgne soit orientée vers l'extérieur et que l'indication "↓ NG" soit orientée de la manière indiquée à l'illustration ci-dessus.
6. Réinstaller le capuchon en plastique par-dessus le capuchon du détendeur.

Conversion des brûleurs de surface (de gaz propane à gaz naturel)

1. Ôter le chapeau de brûleur.
2. À l'aide d'un tournevis Phillips ou Quadrex®, enlever la base du brûleur.

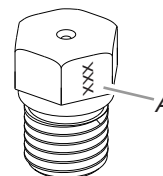
REMARQUE : Réinstaller l'une des vis à travers la table de cuisson de la cuisinière pour qu'elle maintienne le porte-gicleur en place pendant les opérations de retrait et de remplacement des gicleurs.

3. Appliquer du ruban adhésif de masquage à l'extrémité d'un tourne-écrou de 7 mm (9/32") pour retenir le gicleur du brûleur dans le tourne-écrou durant l'extraction. Placer le tourne-écrou sur le gicleur; faire tourner dans le sens antihoraire et soulever pour enlever le gicleur. Conserver à part le gicleur du brûleur.



- A. Gicleur
 B. Support du gicleur
 C. Vis
 D. Électrode d'étincelle

4. Chaque gicleur est marqué d'un code d'identification gravé sur le côté. Remplacer le gicleur pour propane par le gicleur correct pour gaz naturel.



A. Chiffre gravé

Le tableau qui suit permet de sélectionner le gicleur pour gaz naturel correct pour chaque brûleur.

Tableau de sélection des gicleurs pour gaz naturel pour colonne d'eau de 4"

Puissance thermique	Couleur	Taille	Identifiant
18 000 BTU	Jaune/Bleu	2,16 mm	N216
17 000 BTU	Rouge/Magenta	2,10mm	N210
15 000/15 500 BTU	Rouge/Noir	2,00 mm	N200
14 200 BTU	Rouge/Orange	1,90 mm	N190
13 000/13 500 BTU	Rouge/Bleu	1,85 mm	N185
12 000/12 500 BTU	Rouge/Jaune	1,80 mm	N180
9 500 BTU	Rouge/Marron	1,55 mm	N155
8 000 BTU	Rouge/Blanc	1,40 mm	N140
5 000 BTU	Rouge/Laiton	1,10 mm	N110

Tableau de sélection des gicleurs pour gaz naturel pour colonne d'eau de 5"

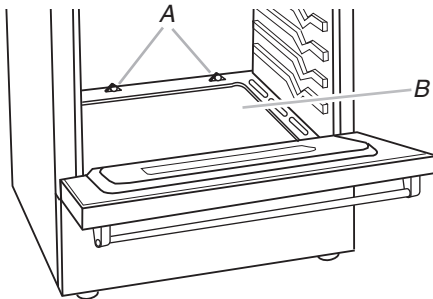
Puissance thermique	Couleur	Taille	Identifiant
18 000 BTU	Rouge/Noir	2,00 mm	N200
17 000 BTU	Noir/Blanc	1,94 mm	N194
15 000/15 500 BTU	Rouge/Jaune	1,80 mm	N180
9 500 BTU	Rouge/Blanc	1,40 mm	N140
8 000 BTU	Rouge/Vert	1,32 mm	N132
5 000 BTU	Bleu/Blanc	1,04 mm	N104

REMARQUE : Voir la plaque signalétique située sur le châssis du four, derrière le côté supérieur droit de la porte du four pour connaître la taille de gicleur à utiliser pour chaque brûleur (selon sa position).

- Placer les gicleurs pour propane dans le sachet en plastique contenant les pièces et conserver le tout avec le sachet de documentation pour pouvoir le réutiliser ultérieurement.
- Réinstaller la base du brûleur à l'aide des deux vis.
- Réinstaller le chapeau de brûleur.
- Répéter les étapes 1 à 7 pour les autres brûleurs.

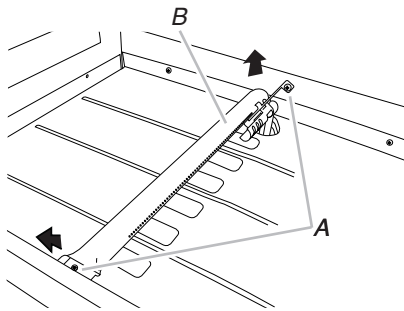
Conversion du brûleur de cuisson au four (de gaz propane à gaz naturel)

- Retirer les grilles du four.
- Ôter 2 vis à l'arrière de la partie inférieure du four.
- Soulever l'arrière de la partie inférieure du four vers le haut et l'arrière jusqu'à ce que l'avant du panneau se trouve hors du cadre avant. Le retirer du four et le mettre de côté sur une surface couverte.



A. Vis
B. Partie inférieure du four

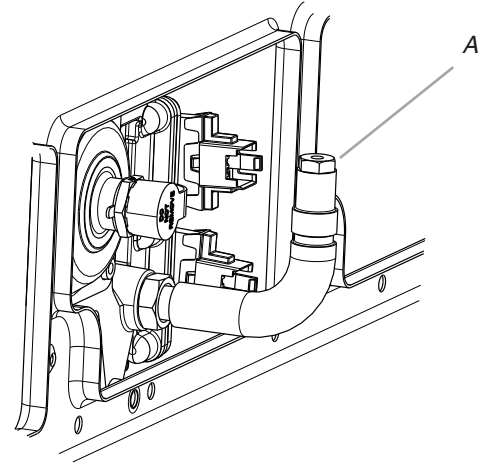
- Ôter 1 vis du brûleur de cuisson au four.
- Faire glisser l'avant du brûleur de cuisson au four sur le côté pour retirer l'onglet de l'avant du four. Retirer l'arrière du brûleur de cuisson au four de l'orifice du four, et mettre le brûleur de cuisson au four de côté.



A. Vis
B. Brûleur de cuisson au four

- Utiliser un tourne-écrou de 3/8" ou une clé mixte et tourner le gicleur du brûleur de cuisson au four pour gaz propane dans le sens antihoraire pour l'enlever. Le gicleur portera la mention "56".

- Remplacer le gicleur "56" par un gicleur "47". Installer le gicleur pour gaz naturel du brûleur de cuisson au four en le tournant dans le sens horaire jusqu'à ce qu'il soit serré. **IMPORTANT** : Ne pas serrer excessivement.

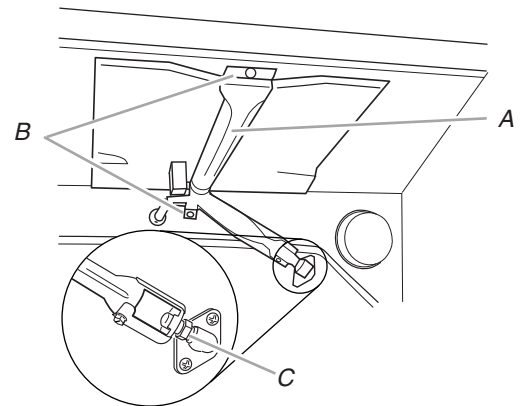


A. Gicleur

- Positionner l'arrière du brûleur de cuisson au four sur l'orifice du four et insérer l'onglet situé à l'avant du brûleur de cuisson au four dans l'avant du four.
- Réinstaller le brûleur de cuisson au four avec 1 vis.
- Positionner l'avant du panneau inférieur du four vers le châssis avant et abaisser l'arrière du panneau du fond du four pour l'insérer dans le four.
- Réinstaller le panneau du fond du four avec 2 vis.

Conversion du brûleur de cuisson au grill (de gaz propane à gaz naturel)

- Ôter la vis du brûleur de cuisson au grill.
- Retirer le brûleur de cuisson au grill de l'injecteur femelle du brûleur de cuisson au grill. **REMARQUE** : Le brûleur de cuisson au grill pend à l'arrière du four pendant que l'on change l'injecteur femelle.

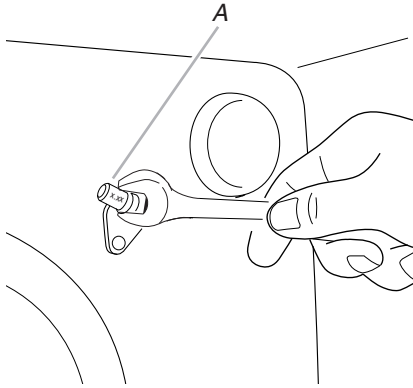


A. Brûleur de cuisson au grill
B. Vis
C. Injecteur femelle

- Utiliser une clé mixte de 3/8" pour tourner l'injecteur femelle du brûleur de cuisson au grill pour gaz propane dans le sens antihoraire pour l'enlever. L'injecteur portera la mention "100".

4. Remplacer l'injecteur femelle "100" par un injecteur femelle "155". Installer l'injecteur femelle du brûleur du gril pour gaz naturel en le tournant dans le sens horaire jusqu'à ce qu'il soit serré.

IMPORTANT : Ne pas serrer excessivement.



A. Injecteur femelle

5. Placer le brûleur de cuisson au gril sur l'injecteur femelle du brûleur de cuisson au gril et insérer l'allumeur en céramique du brûleur de cuisson au gril dans le trou situé à l'arrière du four.
6. Positionner le brûleur de cuisson au gril contre la partie supérieure du four et le fixer avec 2 vis.
7. Réinstaller le tiroir de remisage ou le tiroir-réchaud. Voir la section "Tiroir de remisage" ou "Tiroir-réchaud ou tiroir de remisage de qualité supérieure".
8. Réinstaller la porte du four. Voir la section "Porte du four".
9. Réinstaller les grilles du four.

Achever l'installation (de gaz propane à naturel)

1. Pour le raccordement correct de la cuisinière à l'alimentation en gaz, se reporter à la section "Raccordement au gaz".
2. Pour l'allumage et l'utilisation corrects du brûleur ainsi que le réglage des flammes sur le brûleur, voir la section "Système d'allumage électronique".

IMPORTANT : Il peut être nécessaire de modifier le réglage des flammes à la position du débit thermique minimum "LO" pour chaque brûleur de la table de cuisson.

Il est très important de vérifier l'établissement de flammes correctes sur les brûleurs de la table de cuisson, le brûleur de cuisson au four et le brûleur de cuisson au gril. Les flammes d'un brûleur alimenté au gaz naturel ne comportent pas de pointe jaune.

3. Voir le paragraphe "Achever l'installation" de la section "Instructions d'installation" du présent manuel pour achever cette procédure.

REMARQUE : S'assurer de bien conserver les gicleurs qui ont été remplacés au cours de la conversion.