

KitchenAid®

INSTALLATION INSTRUCTIONS

COMMERCIAL-STYLE GAS COOKTOP
30" (76.2 cm), 36" (91.4 cm), AND 48" (121.9 cm)
For residential use only

INSTRUCTIONS D'INSTALLATION

TABLE DE CUISSON AU GAZ DE STYLE COMMERCIAL DE
30 PO (76,2 cm), 36 PO (91,4 cm) ET 48 PO (121,9 cm)
Pour utilisation résidentielle uniquement

Table of Contents / Table des matières

COOKTOP SAFETY	2	SÉCURITÉ DE LA TABLE DE CUISSON	19
INSTALLATION REQUIREMENTS	4	EXIGENCES D'INSTALLATION	21
Tools and Parts.....	4	Outils et pièces.....	21
Location Requirements.....	5	Exigences d'emplacement.....	22
Electrical Requirements: U.S.A. Only	8	Spécifications électriques : É.-U. seulement.....	25
Gas Supply Requirements	8	Spécifications de l'alimentation en gaz	25
INSTALLATION INSTRUCTIONS	10	INSTRUCTIONS D'INSTALLATION	27
Install Cooktop	10	Installation de la table de cuisson.....	27
Make Gas Connection	10	Raccordement au gaz.....	27
Install Griddle Tray.....	11	Installer le plateau d'égouttement	28
Complete Installation	12	Terminer l'installation.....	29
GAS CONVERSIONS	13	CONVERSIONS POUR CHANGEMENT DE GAZ	30
Propane Gas Conversion.....	13	Conversion pour l'alimentation au propane	30
Natural Gas Conversion.....	16	Conversion au gaz naturel	33

IMPORTANT:

Save for local electrical inspector's use.

Installer: Leave installation instructions with the homeowner.

Homeowner: Keep installation instructions for future reference.

IMPORTANT :

Conserver ces instructions à l'usage de l'inspecteur des installations électriques local.

Installateur : Remettre les instructions d'installation au propriétaire.

Propriétaire : Conserver les instructions d'installation pour référence ultérieure.

COOKTOP SAFETY

Your safety and the safety of others are very important.

We have provided many important safety messages in this manual and on your appliance. Always read and obey all safety messages.



This is the safety alert symbol.

This symbol alerts you to potential hazards that can kill or hurt you and others.

All safety messages will follow the safety alert symbol and either the word "DANGER" or "WARNING."

These words mean:

⚠ DANGER

You can be killed or seriously injured if you don't immediately follow instructions.

⚠ WARNING

You can be killed or seriously injured if you don't follow instructions.

All safety messages will tell you what the potential hazard is, tell you how to reduce the chance of injury, and tell you what can happen if the instructions are not followed.

WARNING: If the information in these instructions is not followed exactly, a fire or explosion may result causing property damage, personal injury or death.

- Do not store or use gasoline or other flammable vapors and liquids in the vicinity of this or any other appliance.
- **WHAT TO DO IF YOU SMELL GAS:**
 - Do not try to light any appliance.
 - Do not touch any electrical switch.
 - Do not use any phone in your building.
 - Immediately call your gas supplier from a neighbor's phone. Follow the gas supplier's instructions.
 - If you cannot reach your gas supplier, call the fire department.
- Installation and service must be performed by a qualified installer, service agency or the gas supplier.

WARNING: Gas leaks cannot always be detected by smell.

Gas suppliers recommend that you use a gas detector approved by UL or CSA.

For more information, contact your gas supplier.

If a gas leak is detected, follow the "What to do if you smell gas" instructions.

IMPORTANT: Do not install a ventilation system that blows air downward toward this gas cooking appliance. This type of ventilation system may cause ignition and combustion problems with this gas cooking appliance resulting in personal injury or unintended operation.

In the State of Massachusetts, the following installation instructions apply:

- Installations and repairs must be performed by a qualified or licensed contractor, plumber, or gas fitter qualified or licensed by the State of Massachusetts.
- Acceptable Shut-off Devices: Gas Cocks and Ball Valves installed for use shall be listed.
- A flexible gas connector, when used, must not exceed 4 feet (121.9 cm).

INSTALLATION REQUIREMENTS

Tools and Parts

Gather the required tools and parts before starting installation. Read and follow the instructions provided with any tools listed here.

Tools Needed



Adjustable wrench



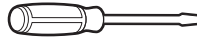
Tape measure



Marker or pencil



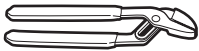
Pipe wrench



Flat-blade screwdriver



15/16" (24 mm) combination wrench



Wrench or channel lock pliers



Pipe-joint compound
resistant to Propane gas

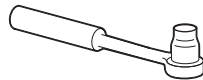


Noncorrosive leak-detection solution

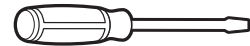
For Propane/Natural Gas Conversions



Adjustable wrench



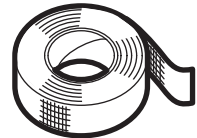
Drive ratchet



Large flat-blade screwdriver



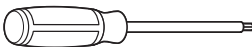
T20[®] Torx^{®†} Driver



Masking tape



1/2" (1.3 cm) open end wrench



#1 Square Driver

[†]TORX and T20 are trademarks of Acument Intellectual Properties, LLC.

Parts Supplied

Check that all parts are included.

- Burner grates
- Burner caps
- Griddle drip tray (on griddle models)

Parts Needed

- All models must be installed with a backguard if installing at zero clearance to a combustible back wall surface such as drywall. See "Cabinet Dimensions" in the "Location Requirements" section for installation requirements.

Check local codes and consult gas supplier. Check existing gas supply and electrical supply. See the "Electrical Requirements" and "Gas Supply Requirements" sections.

It is recommended that all electrical connections be made by a licensed, qualified electrical installer.

Location Requirements

IMPORTANT: Observe all governing codes and ordinances. Do not obstruct flow of combustion and ventilation air.

- It is the installer's responsibility to comply with installation clearances specified on the model/serial/rating plate. The model/serial/rating plate is located under the console on the right-hand side.
- It is recommended that a 585 CFM (993.9 m³/hr) or larger range hood be installed above the cooktop.
- Follow the range hood or microwave hood combination installation instructions for dimensional clearances above the cooktop surface.
- Recessed installations must provide complete enclosure of the sides and rear of the cooktop.
- All openings in the wall or floor where cooktop is to be installed must be sealed.
- Do not seal the cooktop to the side cabinets.
- Cabinet opening dimensions that are shown must be used. Given dimensions are minimum clearances.
- Grounded electrical supply is required. See the "Electrical Requirements" section.
- Proper gas supply connection must be available. See the "Gas Supply Requirements" section.

IMPORTANT: To avoid damage to your cabinets, check with your builder or cabinet supplier to make sure that the materials used will not discolor, delaminate, or sustain other damage. This oven has been designed in accordance with the requirements of UL and CSA International and complies with the maximum allowable wood cabinet temperatures of 194°F (90°C).

Mobile Home - Additional Installation Requirements

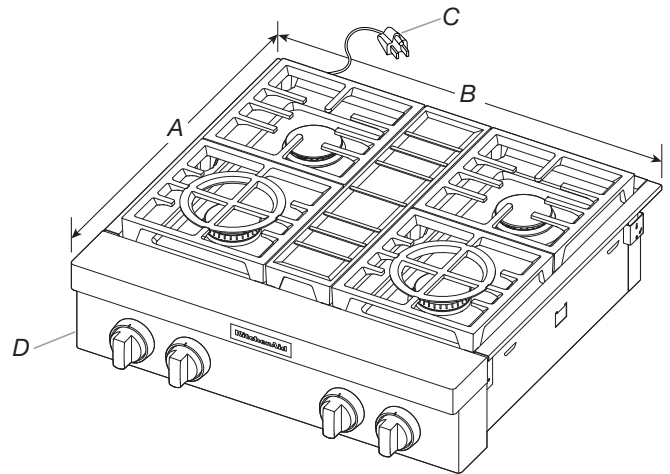
The installation of this cooktop must conform to the Manufactured Home Construction and Safety Standard, Title 24 CFR, Part 3280 (formerly the Federal Standard for Mobile Home Construction and Safety, Title 24, HUD Part 280). When such standard is not applicable, use the Standard for Manufactured Home Installations, ANSI A225.1/NFPA 501A or local codes.

In Canada, the installation of this cooktop must conform with the current standards CAN/CSA-A240-latest edition or with local codes.

Product Dimensions

NOTE: Cooktop features may differ.

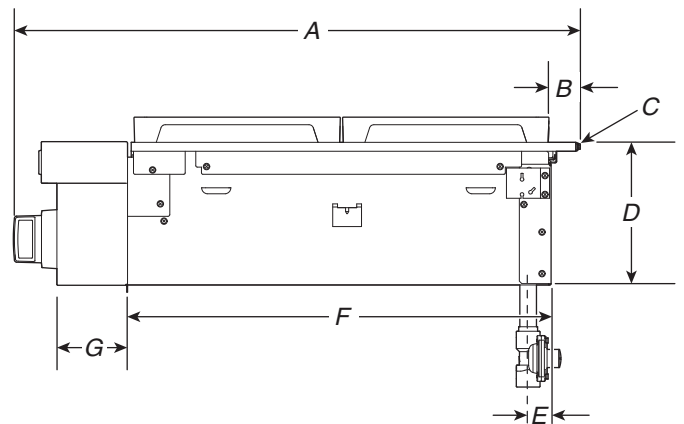
30" (76.2 cm) models



A. 27⁷/₈" (70.8 cm)
B. 29³/₄" (75.6 cm)

C. 3 prong grounding-type power supply cord
D. Model/serial/rating plate (located on the underside of the cooktop burner base)

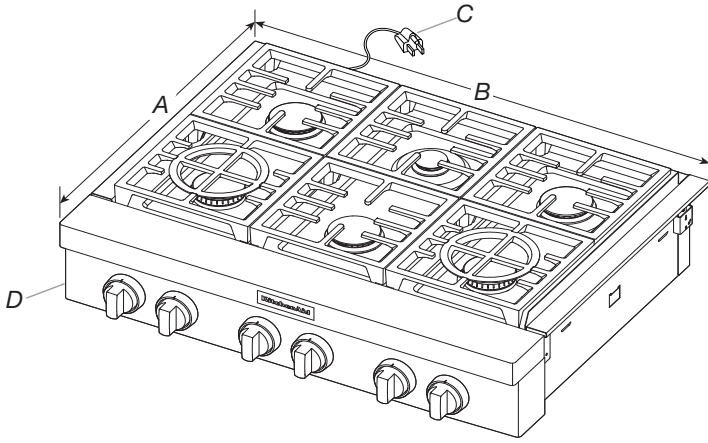
Side View of Cooktop



A. 29³/₈" (74.6 cm)
B. 1¹/₄" (3.2 cm)
C. Island trim or optional backguard
D. 7⁷/₁₆" (18.8 cm)

E. Gas inlet is located 1⁷/₈" (4.8 cm) from the back of the cooktop burner base and 4⁷/₈" (12.4 cm) in from left-hand side of the cooktop burner base.
F. 22" (55.9 cm)
G. 3⁵/₈" (9.2 cm)

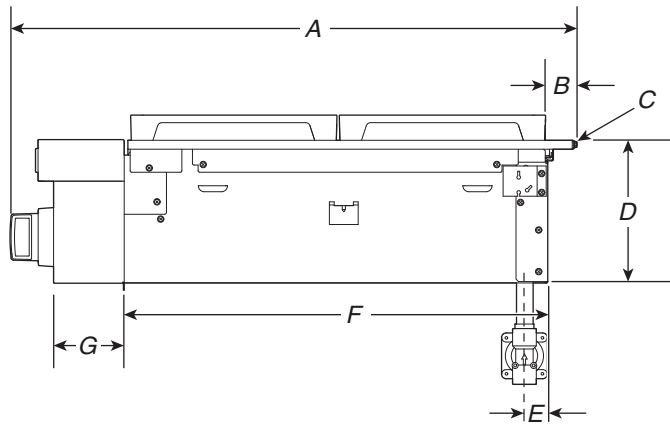
36" (91.4 cm) models



- A. 27⁷/₈" (70.8 cm)
- B. 35³/₄" (90.8 cm)

- C. 3 prong grounding-type power supply cord
- D. Model/serial/rating plate (located on the underside of the cooktop burner base)

Side View of Cooktop

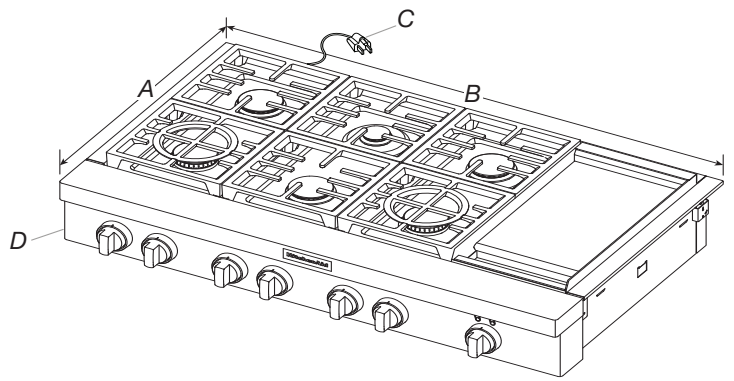


- A. 29³/₈" (74.6 cm)
- B. 1¹/₄" (3.2 cm)
- C. Island trim or optional backguard
- D. 7⁷/₁₆" (18.8 cm)

- E. Gas inlet is located 1⁷/₈" (4.8 cm) from the back of the cooktop burner base and 4⁷/₈" (12.4 cm) in from left-hand side of the cooktop burner base.

- F. 22" (55.9 cm)
- G. 3⁵/₈" (9.2 cm)

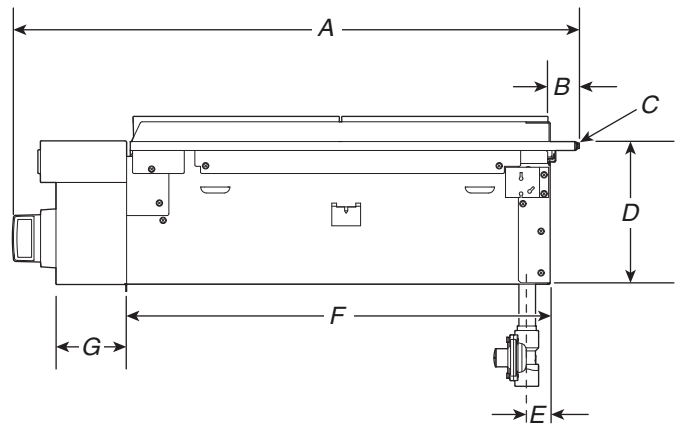
48" (121.9 cm) models



- A. 27⁷/₈" (70.8 cm)
- B. 47⁷/₈" (121.6 cm)

- C. 3 prong grounding-type power supply cord
- D. Model/serial/rating plate (located on the underside of the cooktop burner base)

Side View of Cooktop

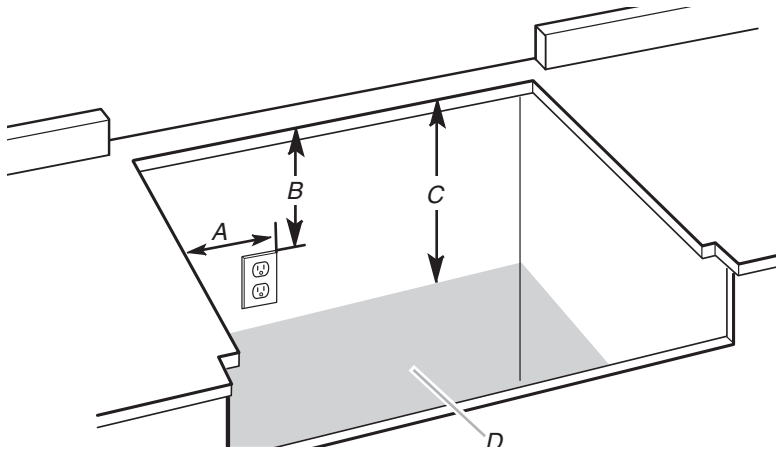


- A. 29³/₈" (74.6 cm)
- B. 1¹/₄" (3.2 cm)
- C. Island trim or optional backguard
- D. 7⁷/₁₆" (18.8 cm)

- E. Gas inlet is located 1⁷/₈" (4.8 cm) from the back of the cooktop burner base and 4⁷/₈" (12.4 cm) in from left-hand side of the cooktop burner base.

- F. 22" (55.9 cm)
- G. 3⁵/₈" (9.2 cm)

Gas and Electric Connection Locations

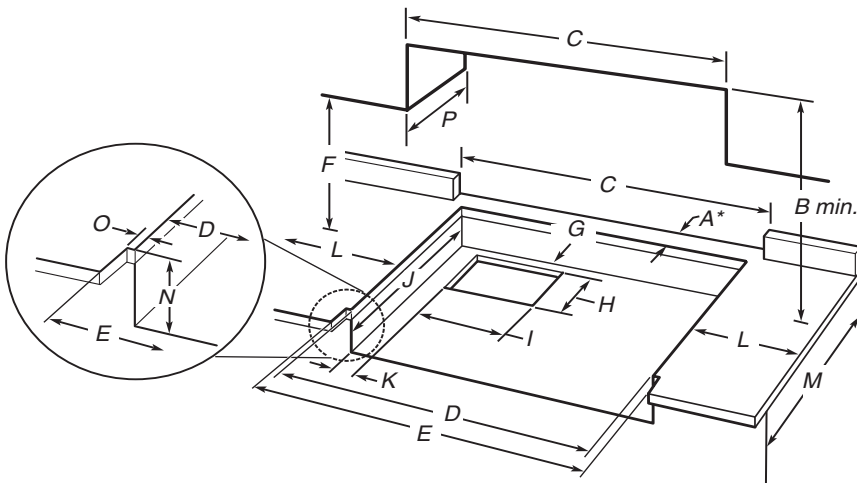


- A. Grounded 3 prong outlet should be located on left-hand side of the cutout 16" (40.6 cm) max. from enclosure sidewall
- B. 10" (25.4 cm) min. clearance from countertop to top of the outlet
- C. 14" (35.6 cm) countertop to the gas supply line
- D. Gas supply line should be located in this area on rear or side walls or the supply line can come up through the floor.

NOTE: Solid side and bottom of cutout enclosure not shown.

Cabinet Requirements

IMPORTANT: If installing a range hood, hood liner, or microwave hood combination above the cooking surface, follow the range hood or microwave hood combination installation instructions for dimensional clearances above the cooktop surface.



- A. See chart.
- B. See chart.
- C. See chart.
- D. See chart.
- E. See chart.
- F. 18" (45.7 cm) min. clearance upper cabinet to countertop
- G. 3/4" (19 mm) back of cabinet cutout to gas opening cutout
- H. 6 7/8" (16.1 cm) gas opening cutout depth
- I. 12 1/2" (31.7 cm) gas opening cutout width
- J. 22 1/4" (56.5 cm) cabinet cutout depth
- K. 2" (5.1 cm) cabinet side to gas cutout
- L. 12" (30.4 cm) min. distance on both sides of the cooktop to the side wall or other combustible material above cooking surface
- M. 24" (61.0 cm) cabinet depth
- N. 7 1/4" (18.4 cm) cabinet depth to countertop
- O. Notch to be equal on both sides
- P. 13" (33.0 cm) upper cabinet depth

Size	A* Cooktop Cutout to Back Wall	B** Cooktop to Cabinet	C Optional Backguard and Upper Cabinet Opening	D Cabinet and Countertop	E Countertop Only
30" (76.2 cm)	1 3/4" (4.4 cm)*	42" (106.7 cm)	30" (76.2 cm)	29 1/4" (74.3 cm)	29 3/4" (75.6 cm) for zero clearance
36" (91.4 cm)	1 3/4" (4.4 cm)*	58" (147.3 cm)	36" (91.4 cm)	35 1/4" (89.5 cm)	35 3/4" (90.8 cm) for zero clearance
48" (121.9 cm)	1 3/4" (4.4 cm)*	58" (147.3 cm)	48" (121.9 cm)	47 1/4" (120.0 cm)	47 3/4" (121.2 cm) for zero clearance

***NOTE:** If back wall is constructed of a combustible material and a backguard is not installed, a minimum clearance of dimension A + 6" (15.2 cm) is required for all models.

If installing a range hood, hood liner, or microwave hood combination above the cooktop, follow the range hood, hood liner or microwave hood combination installation instructions for dimensional clearances above the cooktop surface.

**If not using ventilation, Minimum Clearances

30" (76.2 cm) models: 42" (106.7 cm) minimum clearance between the top of the cooking platform and the bottom of a combustible surface.

36" (91.4 cm) models: 58" (147.3 cm) minimum clearance between the top of the cooking platform and the bottom of a combustible surface.

48" (121.9 cm) models: 58" (147.3 cm) minimum clearance between the top of the cooking platform and the bottom of a combustible surface.

NOTE: Due to manufacturing factory tolerances, these are nominal dimensions. You may need to readjust to meet your clearance.

Electrical Requirements: U.S.A. Only

⚠ WARNING



Electrical Shock Hazard

Plug into a grounded 3 prong outlet.

Do not remove ground prong.

Do not use an adapter.

Do not use an extension cord.

Failure to follow these instructions can result in death, fire, or electrical shock.

IMPORTANT: The cooktop must be electrically grounded in accordance with local codes and ordinances or, in the absence of local codes, with the National Electrical Code, ANSI/NFPA 70 or Canadian Electrical Code, CSA C22.1.

This cooktop is equipped with an electronic ignition system that will not operate if plugged into an outlet that is not properly polarized.

If codes permit and a separate ground wire is used, it is recommended that a qualified electrical installer determine that the ground path is adequate.

A copy of the above code standards can be obtained from:

National Fire Protection Association
1 Batterymarch Park
Quincy, MA 02169-7471

CSA International
8501 East Pleasant Valley Road
Cleveland, Ohio 44131-5575

- A 120 V, 60 Hz, AC-only, 15 A, fused electrical circuit is required. A time-delay fuse or circuit breaker is also recommended. It is recommended that a separate circuit serving only this cooktop be provided.
- Electronic ignition systems operate within wide voltage limits, but proper grounding and polarity are necessary. Check that the outlet provides 120 V power and is correctly grounded.
- The wiring diagrams are provided with this cooktop. The wiring diagrams are located inside the control console.

Gas Supply Requirements

⚠ WARNING



Explosion Hazard

Use a new CSA International approved gas supply line.

Install a shut-off valve.

Securely tighten all gas connections.

If connected to propane, have a qualified person make sure gas pressure does not exceed 14" (36 cm) water column.

Examples of a qualified person include:

**licensed heating personnel,
authorized gas company personnel, and
authorized service personnel.**

Failure to do so can result in death, explosion, or fire.

Observe all governing codes and ordinances.

IMPORTANT: This installation must conform with all local codes and ordinances. In the absence of local codes, installation must conform with American National Standard, National Fuel Gas Code ANSI Z223.1 — latest edition — or CAN/CGA B149 — latest edition.

IMPORTANT: Cooktop must be connected to a regulated gas supply.

IMPORTANT: Leak testing of the cooktop must be conducted according to the manufacturer's instructions.

Type of Gas

Natural Gas:

This cooktop is factory set for use with Natural gas. The model/serial/rating plate, located under the console on the right-hand side, has information on the types of gas that can be used. If the types of gas listed do not include the type of gas available, check with the local gas supplier.

Propane Gas conversion:

Conversion must be done by a qualified service technician.

No attempt shall be made to convert the cooktop from the gas specified on the model/serial/rating plate for use with a different gas without consulting the serving gas supplier. To convert to Propane gas, use the Propane gas conversion kit provided with your cooktop and see the "Gas Conversions" section. The parts for this kit are in the package containing literature supplied with the cooktop.

Gas Supply Line

- Provide a gas supply line of 3/4" (1.9 cm) rigid pipe to the cooktop location. A smaller size pipe on longer runs may result in insufficient gas supply. With Propane gas, piping or tubing size can be 1/2" (1.3 cm) minimum. Usually, Propane gas suppliers determine the size and materials used in the system.

NOTE: Pipe-joint compounds that resist the action of Propane gas must be used. Do not use TEFLON[†] tape.

Flexible metal appliance connector:

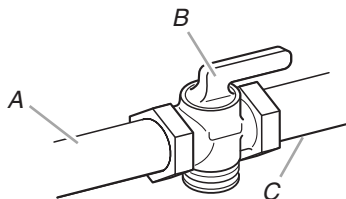
- If local codes permit, a new CSA design-certified, 4-5 ft (122-152 cm) long, 5/8" (1.6 cm) or 3/4" (1.9 cm) I.D., flexible metal appliance connector may be used for connecting the cooktop to the gas supply line.



- A 1/2" (1.3 cm) male pipe thread is needed for connection to the female pipe threads of the inlet to the appliance pressure regulator.
- Do not kink or damage the flexible metal tubing when moving the cooktop.

IMPORTANT: All connections must be wrench-tightened. Do not make connections to the gas regulator too tight. Making the connections too tight may crack the regulator and cause a gas leak. Do not allow the regulator to turn or move when tightening fittings.

- Must include a shut-off valve: Install a manual gas line shut-off valve in an easily accessible location. Do not block access to shut-off valve. The valve is for turning on or shutting off gas to the cooktop.



A. Gas supply line
B. Shut-off valve open position
C. To cooktop

Gas Pressure Regulator

The gas pressure regulator supplied with this cooktop must be used. The inlet pressure to the regulator should be as follows for proper operation:

Natural Gas:

Minimum pressure: 5" (12.7 cm) WCP

Maximum pressure: 14" (35.6 cm) WCP

Propane Gas:

Minimum pressure: 10" (25.4 cm) WCP

Maximum pressure: 14" (35.6 cm) WCP

Contact local gas supplier if you are not sure about the inlet pressure.

Burner Input Rating — Altitude

Input ratings shown on the model/serial/rating plate are for elevations up to 2,000 ft (609.6 m).

For elevations above 2,000 ft (609.6 m), ratings need to be reduced at a rate of 4% for each 1,000 ft (304.8 m) above sea level (not applicable for Canada).

Gas Supply Pressure Testing

Gas supply pressure for testing regulator must be at least 1" (2.5 cm) water column pressure above the manifold pressure shown on the model/serial/rating plate.

Line pressure testing above 1/2 psi (3.5 kPa) gauge (14" [35.6 cm] WCP)

The cooktop and its individual shut-off valve must be disconnected from the gas supply piping system during any pressure testing of that system at test pressures in excess of 1/2 psi (3.5 kPa).

Line pressure testing at 1/2 psi (3.5 kPa) gauge (14" [35.6 cm] WCP) or lower

The cooktop must be isolated from the gas supply piping system by closing its individual manual shut-off valve during any pressure testing of the gas supply piping system at test pressures equal to or less than 1/2 psi (3.5 kPa).

[†]TEFLON is a registered trademark of Chemours.

INSTALLATION INSTRUCTIONS

Install Cooktop

⚠ WARNING

Excessive Weight Hazard

**Use two or more people to move and install cooktop.
Failure to do so can result in back or other injury.**

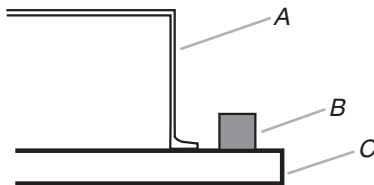
Write down the model and serial numbers before installing the cooktop. Both numbers are located on the left front underside of the burner base.

Unpack the parts supplied with your cooktop. The parts shipped with the cooktop depend on your model ordered. See the "Tools and Parts" section for a complete list of parts supplied with your cooktop.

The pressure regulator and flexible stainless steel gas supply line connector can be assembled to the cooktop now or after the cooktop is installed in the cutout. See the "Make Gas Connection" section.

1. Decide on the final location for the cooktop.
2. Using two or more people, place the cooktop upside down on a covered surface.
3. Remove foam strip from packing containing literature. Remove backing from foam strip. Apply foam strip adhesive-side down along the left and right sides of the cooktop trim.

NOTE: The foam strip helps the cooktop sit flat on uneven counters and avoids damage to the countertop surface.



A. Cooktop base
B. Foam strip
C. Cooktop

4. Using two or more people, turn cooktop right side up.

Make Gas Connection

⚠ WARNING



Explosion Hazard

Use a new CSA International approved gas supply line.

Install a shut-off valve.

Securely tighten all gas connections.

If connected to propane, have a qualified person make sure gas pressure does not exceed 14" (36 cm) water column.

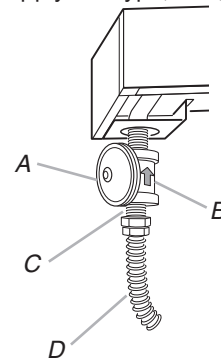
**Examples of a qualified person include:
licensed heating personnel,
authorized gas company personnel, and
authorized service personnel.**

Failure to do so can result in death, explosion, or fire.

To Assemble Pressure Regulator:

1. Using two or more people, stand the cooktop on its side or back.
2. Connect the flexible stainless steel connector to the pressure regulator using a 1/2" (1.3 cm) male pipe thread adapter.

A combination of pipe fittings must be used to connect the cooktop to the existing gas line. The following shows a typical connection. Your connection may be different, according to the supply line type, size, and location.



A. Gas pressure regulator
B. Regulator - Must be installed with arrow pointing up to cooktop bottom
C. Adapter - Must have 1/2" (1.3 cm) male pipe thread
D. CSA approved flexible stainless steel gas supply line

3. Install the pressure regulator with the arrow pointing up toward the bottom of the cooktop burner base and in a position where you can reach the regulator cap.

IMPORTANT: All connections must be wrench-tightened. Do not make connections to the gas regulator too tight. Making the connections too tight may crack the regulator and cause a gas leak. Do not allow the regulator to turn on the pipe when tightening fittings.

Use only pipe-joint compound made for use with Natural and Propane gas. Do not use TEFLON® tape.

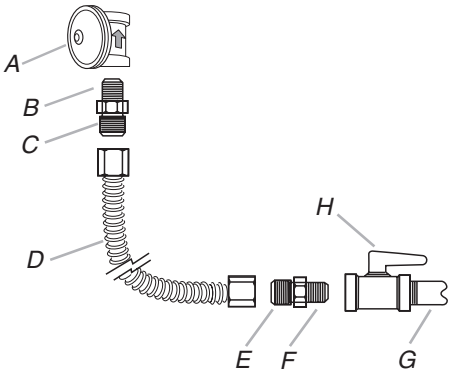
You will need to determine the fittings required depending on your installation.

- Place cooktop into the countertop cutout.

NOTE: Check that the front edge of the cooktop is parallel to the front edge of the countertop. If repositioning is needed, lift entire cooktop up from cutout to avoid scratching the countertop.

Typical flexible connection

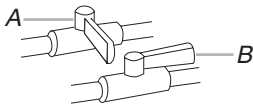
- Apply pipe-joint compound made for use with Propane gas to the smaller thread ends of the flexible connector adapters (see B and F in the following illustration).
- Attach one adapter to the gas pressure regulator and the other adapter to the gas shut-off valve. Tighten both adapters.
- Use a 15/16" (2.4 cm) combination wrench and channel lock pliers to attach the flexible connector to the adapters. Check that connector is not kinked.



- | | |
|---|--|
| A. Gas pressure regulator | E. Adapter |
| B. Use pipe-joint compound. | F. Use pipe-joint compound. |
| C. Adapter - must have 1/2" (1.3 cm) male pipe thread | G. 1/2" (1.3 cm) or 3/4" (1.9 cm) gas pipe |
| D. Flexible connector | H. Manual gas shut-off valve |

Complete Connection

- Open the manual shut-off valve in the gas supply line. The valve is open when the handle is parallel to the gas pipe.



- A. Closed valve
B. Open valve

- Test all connections by brushing on an approved noncorrosive leak-detection solution. If bubbles appear, a leak is indicated. Correct any leak found.
- Remove cooktop burner caps, and grates from parts package. Place burner caps on burner bases. Place grates over burners and caps.

⚠ WARNING



Electrical Shock Hazard

Plug into a grounded 3 prong outlet.

Do not remove ground prong.

Do not use an adapter.

Do not use an extension cord.

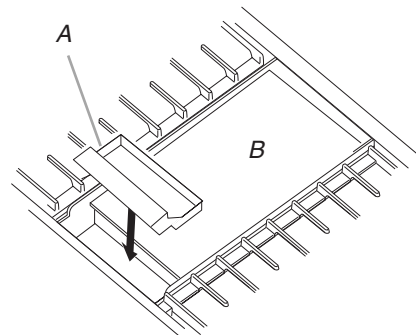
Failure to follow these instructions can result in death, fire, or electrical shock.

- Plug into a grounded 3 prong outlet.
- Check the operation of the surface burners. See "Check Operation of Cooktop Burners" section in the "Complete Installation" section.
- If your model has a griddle, see the "Install Griddle Tray" section.

Install Griddle Tray (On griddle models)

The griddle is factory installed.

- Place drip tray in the well at the front of the griddle. Slide tray toward the back until it stops.



- A. Griddle drip tray
B. Griddle

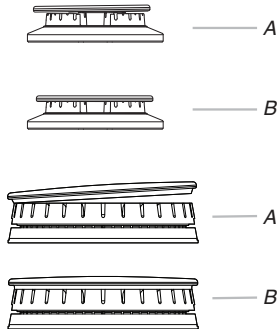
- Clean griddle before using. Refer to the Use and Care Guide.

Complete Installation

Install Burner Caps

Place burner caps on top of burner. If burner caps are not properly positioned, surface burners may not light and burner flames will be uneven and unstable.

Burners



A. Incorrect
B. Correct

Electronic Ignition System

Initial Lighting and Gas Flame Adjustments

Cooktop burners use electronic igniters in place of standing pilots. When the Cooktop Control Knob is turned to any position, the system creates a spark to light the burner. This sparking continues until the flame is lit or the knob is turned to OFF.

NOTE: The first time igniting the burners will take longer. This allows the gas to reach the burners during the first use.

Check Operation of Cooktop Burners

Push in and turn each Control Knob to .

NOTE: You will hear a clicking sound while the line clears.

The surface burners and grill flames should light within 4 seconds. The first time a burner is lit, it may take longer than 4 seconds to light because of air in the gas line.

After verifying the proper burner operation, turn the Control Knobs to OFF.

If burners do not light properly:

- Turn Cooktop Control Knob to OFF.
- Check that the cooktop is plugged in and the circuit breaker has not tripped or the fuse has not blown.
- Check that the gas shut-off valves are set to the open position.
- Check that burner caps are properly positioned on burner bases.

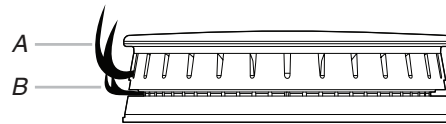
Repeat startup. If a burner does not light at this point, contact your dealer or authorized service company for assistance.

Flame Height

The cooktop flame should be a steady blue flame.

NOTE: Flame heights are factory set. If they don't appear correct, please contact your service provider.

Burner



A. Upper (main) flame
B. Lower (simmer) flame

NOTE: Dual Stacked burner shown.

GAS CONVERSIONS

IMPORTANT: Gas conversions from Natural gas to Propane gas must be done by a qualified installer.

⚠ WARNING



Explosion Hazard

Use a new CSA International approved gas supply line.

Install a shut-off valve.

Securely tighten all gas connections.

If connected to propane, have a qualified person make sure gas pressure does not exceed 14" (36 cm) water column.

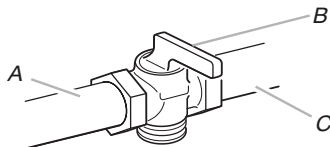
Examples of a qualified person include:

licensed heating personnel,
authorized gas company personnel, and
authorized service personnel.

Failure to do so can result in death, explosion, or fire.

Propane Gas Conversion

1. Turn the manual shut-off valve to the closed position.

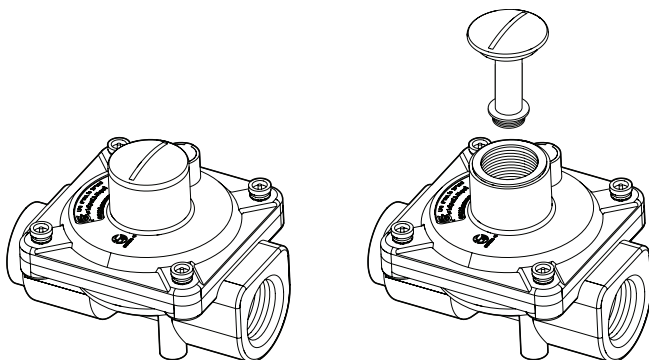


- A. To cooktop
- B. Shut-off valve (closed position)
- C. Gas supply line

2. Unplug cooktop or disconnect power.

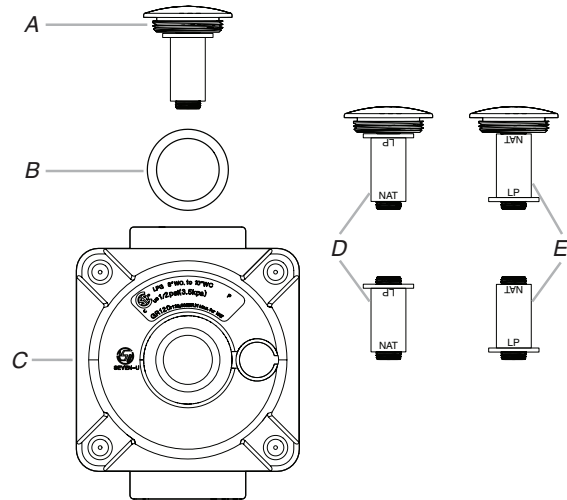
To Convert Gas Pressure Regulator from Natural Gas to Propane

1. Remove the gas pressure regulator cap by using a large flat-blade screwdriver, turning the regulator cap counterclockwise. When the cap is removed, do not lose the metal seal.



NOTE: Do not remove the spring beneath the cap.

2. Remove spring retainer from the cap by turning the spring retainer counterclockwise. Locate the "LP" and "NAT" position on the spring retainer. Turn over the spring retainer



- A. Access cap
- B. Metal seal
- C. Gas pressure regulator
- D. Spring retainer in NAT position
- E. Spring retainer in LP position

so the "LP" arrow is pointing toward the cap.

3. Tighten the gas pressure regulator cap by using a large flat blade screwdriver, turning the regulator cap clockwise.
4. Test the gas pressure regulator and gas supply line.

The regulator must be checked at a minimum 1" (2.5 cm) water column above the set pressure. The inlet pressure to the regulator should be as follows for operation and checking the regulator setting:

Propane Gas:

Minimum pressure: 10" (25.4 cm) WCP

Maximum pressure: 14" (35.6 cm) WCP

Gas Supply Pressure Testing

Gas supply pressure for testing regulator must be at least 1" (2.5 cm) water column pressure above the manifold pressure shown on the model/serial/rating plate.

Line pressure testing above 1/2 psi (3.5 kPa) gauge (14" [35.6 cm] WCP)

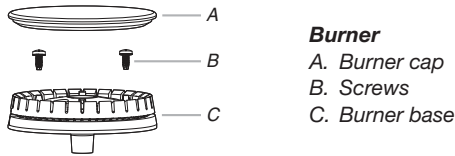
The cooktop and its individual shut-off valve must be disconnected from the gas supply piping system during any pressure testing of that system at test pressures in excess of 1/2 psi (3.5 kPa).

Line pressure testing at 1/2 psi (3.5 kPa) gauge (14" [35.6 cm] WCP) or lower

The cooktop must be isolated from the gas supply piping system by closing its individual manual shut-off valve during any pressure testing of the gas supply piping system at test pressures equal to or less than 1/2 psi (3.5 kPa).

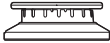

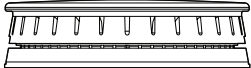
To Convert Surface Burners from Natural Gas to Propane

1. If the burner grates are installed, remove them.
2. Remove burner cap.
3. Remove the burner base by first removing (2) T-20 screws.



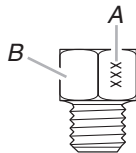
4. Apply masking tape to the end of a 1/4" (7 mm) nut driver to help hold the gas orifice spud in the nut driver while changing it. Insert nut driver into the gas opening and press down onto the gas orifice spud and remove by turning the gas orifice spud counterclockwise and lifting out. Set gas orifice spud aside.
5. Replace with correct Propane gas orifice spud. See the "Propane Gas Orifice Spud/Hood Chart".
 Use the following chart to find the exact orifice spud placement

Propane Gas Orifice Spud/Hood Chart

Burner Rating	Stamp	Size	Burner Style
4,000 BTUs	63	0.63 mm	Small burner 
12,000 BTUs	103	1.03 mm	Medium burner 
13,000 BTUs	99	0.99 mm	Large burner – main
	50	0.50 mm	Larger burner – simmer 

NOTE: Refer to serial tag for more information on burner ratings and locations.

Burner orifice spud

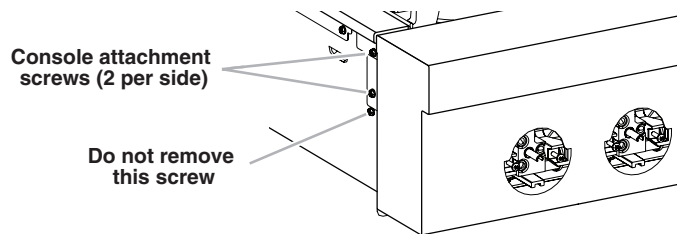


- A. Size stamp
 B. Fuel type stamp (L for Propane or N for Natural gas)

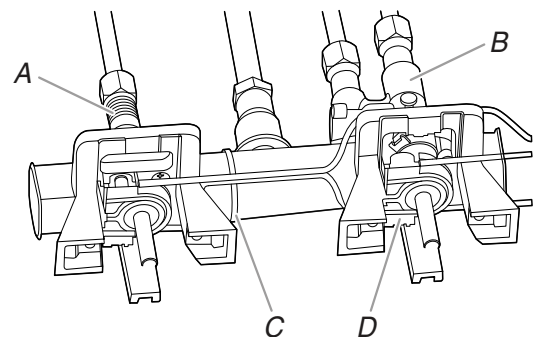
6. Place Natural gas orifice in plastic parts bag for future use and keep with package containing literature.
NOTE: There may be extra orifices in your kit.
7. Replace the burner base and screws. Tighten screws only until burner is snug to cooktop, do not over-tighten.
8. Replace burner cap.
9. Repeat steps 2 through 8 for the remaining burners.
10. Remove the control knobs and bezels for surface burners by using the #1 Square Driver.

Adjusting Simmer Low Setting on Surface Burners for Propane

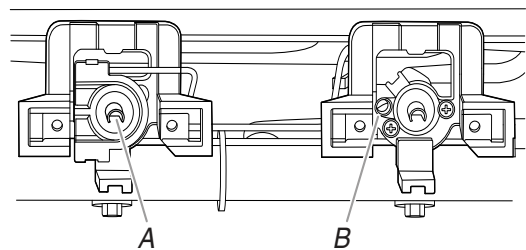
1. Unplug cooktop or disconnect power.
2. Using the square bit screwdriver, remove the surface burner control knobs and bezels.
3. Remove the two screws on each side of the cooktop that hold the control console in place.



4. Remove the console and set it aside.
5. Locate the appropriate low-turndown screw for the appropriate burner on the given valve. The low-turndown screw for the left rear, right rear, center rear, and center front burner valves (aluminum) is located through the center of the valve stem. The low-turndown screw for the left front and right front burner valves (brass) is located behind the ignition switch on the valve body, left of the stem. To remove the ignition switch cut the wire tie and pull the switch off the valve stem.



- A. Aluminum Valve for Left Rear, Right Rear, Center Rear, and Center Front burners
 B. Brass Valve for Left Front and Right Front Dual burners
 C. Wire Tie
 D. Ignition switch



- A. Low-turndown adjustment screw for Aluminum Valve through center of stem
 B. Low-turndown adjustment screw for Brass Valve

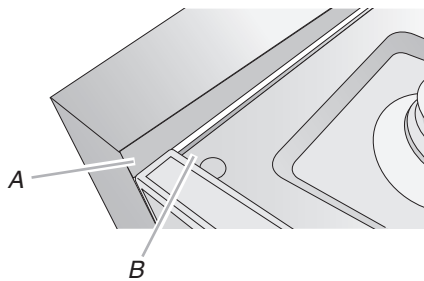
6. With the burner ON (the burner will have to be lit manually with a lighter), and set to simmer LOW, adjust the simmer flame down to the proper BTU level. Using a 1/8" x 4 1/4" (3.2 mm x 10.8 cm) flat blade screwdriver, turn the simmer low-turndown adjustment screw clockwise until the flame height is at, or below, the bottom of the cap. If the flame becomes unstable and flickers or appears to race around the burner, the adjustment is too low and the screw should be adjusted counterclockwise until the flame is stable. Repeat this step for all surface burners.

NOTE: Use a knob to adjust the burner valve.

NOTE: Adjust each burner individually.

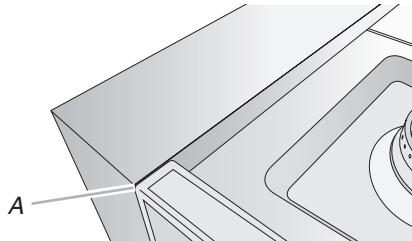
7. After adjustments are completed, replace the ignition switches onto the valves.
8. Lift up on the control console and set it back into place. For a proper fit, the flange of the control console must hook over the lip on the front of the cooktop.

NOTE: It may be necessary to lift valve stems to align with console holes.



A. Control console flange
B. Front lip of cooktop

9. Check that the control console is flush with the top edge of the cooktop.



A. Flush with cooktop

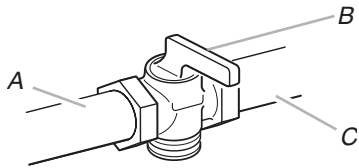
10. Replace the screws on each side of the control console.
11. Replace the bezels using the 2 screws which attach to the valve brackets, making note that there are front and rear bezels and will only attach properly in the correct location on the console.
12. Push the Surface Knobs onto the valve stems.
13. Replace the burner grates.

Complete Installation

1. Refer to the "Make Gas Connection" section for properly connecting the cooktop to the gas supply.
2. Refer to the "Electronic Ignition System" section for proper burner ignition, operation, and burner flame adjustments.
IMPORTANT: You may have to adjust the "LO" setting for each cooktop burner. Checking for proper cooktop burner flame is very important. The small inner cone should have a very distinct blue flame 1/4" (6.4 mm) to 1/2" (1.3 cm) long. The outer cone is not as distinct as the inner cone. Propane gas flames have a slightly yellow tip.
3. Refer to "Complete Installation" in the "Installation Instructions" section of this manual to complete this procedure.

Natural Gas Conversion

1. Turn the manual shut-off valve to the closed position.



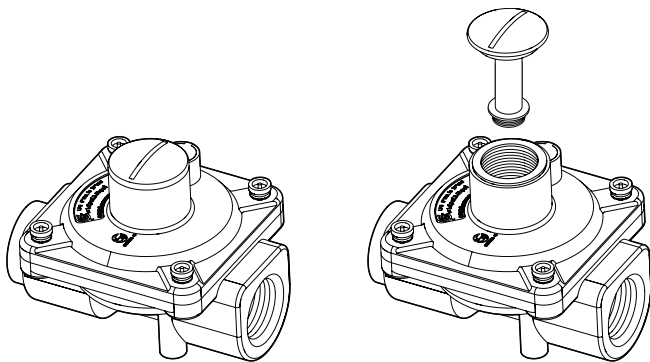
- A. To cooktop
B. Shut-off valve (closed position)
C. Gas supply line

2. Unplug cooktop or disconnect power.

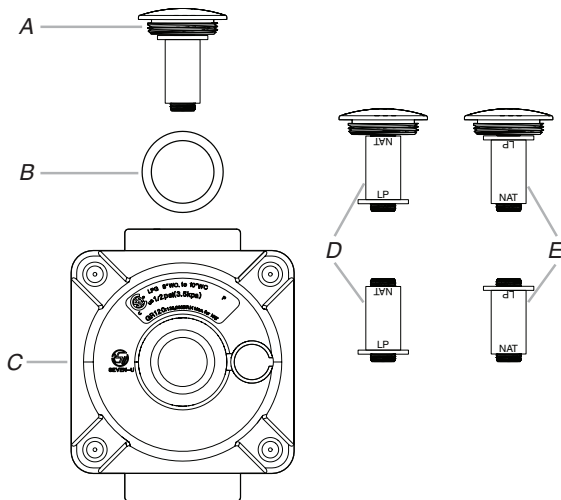
To Convert Gas Pressure Regulator from Propane to Natural Gas

1. Remove the gas pressure regulator cap by using a large flat blade screwdriver, turning the regulator cap counterclockwise. When the cap is removed, do not lose the metal seal.

NOTE: Do not remove the spring beneath the cap.



2. Remove spring retainer from the cap by turning the spring retainer counterclockwise. Locate the "LP" and "NAT" position on the spring retainer. Turn over the spring retainer so the "NAT" arrow is pointing toward the cap.



- A. Access cap
B. Metal seal
C. Gas pressure regulator
D. Spring retainer in LP position
E. Spring retainer in NAT position

3. Tighten the gas pressure regulator cap by using a large flat-blade screwdriver, turning the regulator cap clockwise.
4. Test the gas pressure regulator and gas supply line.
The regulator must be checked at a minimum 1" (2.5 cm) water column above the set pressure. The inlet pressure to the regulator should be as follows for operation and checking the regulator setting:

Natural Gas:

Minimum pressure: 5" (12.7 cm) WCP

Maximum pressure: 14" (35.6 cm) WCP

Gas Supply Pressure Testing

Gas supply pressure for testing regulator must be at least 1" (2.5 cm) water column pressure above the manifold pressure shown on the model/serial/rating plate.

Line pressure testing above 1/2 psi (3.5 kPa) gauge (14" [35.6 cm] WCP)

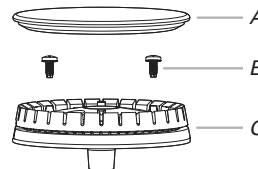
The cooktop and its individual shut-off valve must be disconnected from the gas supply piping system during any pressure testing of that system at test pressures in excess of 1/2 psi (3.5 kPa).

Line pressure testing at 1/2 psi (3.5 kPa) gauge (14" [35.6 cm] WCP) or lower

The cooktop must be isolated from the gas supply piping system by closing its individual manual shut-off valve during any pressure testing of the gas supply piping system at test pressures equal to or less than 1/2 psi (3.5 kPa).

To Convert Surface Burners from Propane to Natural Gas

1. If the burner grates are installed, remove them.
2. Remove burner cap.
3. Remove the burner base by first removing (2) T-20 screws.





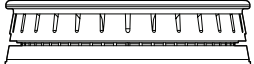
Burner

- A. Burner cap
B. Screws
C. Burner base

4. Apply masking tape to the end of a 1/4" (7 mm) nut driver to help hold the gas orifice spud in the nut driver while changing it. Insert nut driver into the gas opening and press down onto the gas orifice spud and remove by turning the gas orifice spud counterclockwise and lifting out. Set gas orifice spud aside.
5. Replace with correct Natural gas orifice spud. See the "Natural Gas Orifice Spud/Hood Chart."

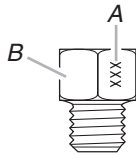
Use the following chart to find the exact orifice spud placement.

Natural Gas Orifice Spud/Hood Chart

Burner Rating	Stamp	Size	Burner Style
5,000 BTUs	99	0.99 mm	Small burner 
15,000 BTUs	175	1.75 mm	Medium burner 
20,000 BTUs	203 78	2.03 mm 0.78 mm	Large burner – main Large burner – simmer 

NOTE: Refer to serial tag for more information on burner ratings and locations.

Burner orifice spud

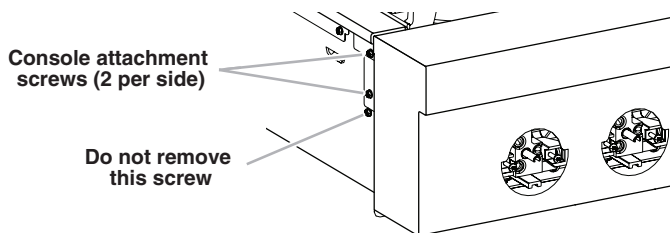


- A. Size stamp
- B. Fuel type stamp (L for Propane or N for Natural gas)

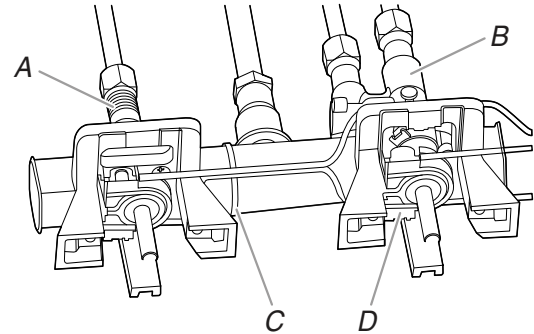
6. Place Propane gas orifice spuds in plastic parts bag for future use and keep with package containing literature.
7. Replace the burner base and screws. Tighten screws only until burner is snug to cooktop, do not over-tighten.
8. Replace burner cap.
9. Repeat steps 2 through 8 for the remaining burners.

Adjusting Simmer Low Setting on Surface Burners for Natural Gas

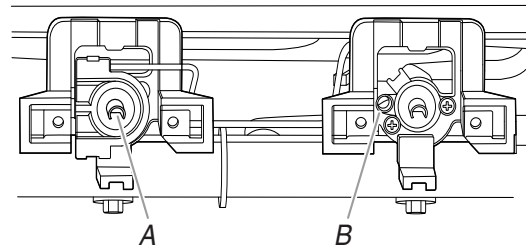
1. Unplug cooktop or disconnect power.
2. Using the square bit screwdriver, remove the surface burner control knobs and bezels.
3. Remove the two screws on each side of the cooktop that hold the control console in place.



4. Remove the console and set it aside.
5. Locate the appropriate low-turndown screw for the appropriate burner on the given valve. The low-turndown screw for the left rear, right rear, center rear, and center front burner valves (aluminum) is located through the center of the valve stem. The low-turndown screw for the left front and right front burner valves (brass) is located behind the ignition switch on the valve body, left of the stem. To remove the ignition switch cut the wire tie and pull the switch off the valve stem.



- A. Aluminum Valve for Left Rear, Right Rear, Center Rear, and Center Front burners
- B. Brass Valve for Left Front and Right Front Dual burners
- C. Wire Tie
- D. Ignition switch



- A. Low-turndown adjustment screw for Aluminum Valve through center of stem
- B. Low-turndown adjustment screw for Brass Valve

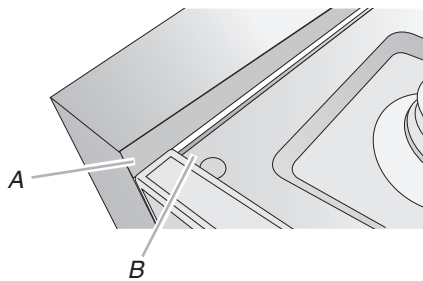
6. With the burner ON (the burner will have to be lit manually with a lighter), and set to simmer LOW, adjust the simmer flame down to the proper BTU level. Using a 1/8" x 4 1/4" (3.2 mm x 10.8 cm) flat blade screwdriver, turn the simmer low-turndown adjustment screw clockwise until the flame height is at, or below, the bottom of the cap. If the flame becomes unstable and flickers or appears to race around the burner, the adjustment is too low and the screw should be adjusted counterclockwise until the flame is stable. Repeat this step for all surface burners.

NOTE: Use a knob to adjust the burner valve.

NOTE: Adjust each burner individually.

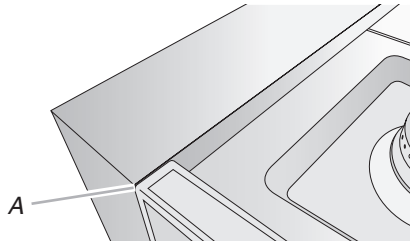
7. After adjustments are completed, replace the ignition switches onto the valves.
8. Lift up on the control console and set it back into place. For a proper fit, the flange of the control console must hook over the lip on the front of the cooktop.

NOTE: It may be necessary to lift valve stems to align with console holes.



A. Control console flange
B. Front lip of cooktop

9. Check that the control console is flush with the top edge of the cooktop.



A. Flush with cooktop

10. Replace the screws on each side of the control console.
11. Replace the bezels using the 2 screws which attach to the valve brackets, making note that there are front and rear bezels and will only attach properly in the correct location on the console.
12. Push the Surface Knobs onto the valve stems.
13. Replace the burner grates.

Complete Installation

1. Refer to the "Make Gas Connection" section for properly connecting the cooktop to the gas supply.
2. Refer to the "Electronic Ignition System" section for proper burner ignition, operation, and burner flame adjustments.

IMPORTANT: You may have to adjust the "LO" setting for each cooktop burner.

Checking for proper cooktop burner flame is very important. The small inner cone should have a very distinct blue flame 1/4" (6.4 mm) to 1/2" (1.3 cm) long. The outer cone is not as distinct as the inner cone. Propane gas flames have a slightly yellow tip.

3. Refer to "Complete Installation" in the "Installation Instructions" section of this manual to complete this procedure.

SÉCURITÉ DE LA TABLE DE CUISSON

Votre sécurité et celle des autres est très importante.

Nous donnons de nombreux messages de sécurité importants dans ce manuel et sur votre appareil ménager. Assurez-vous de toujours lire tous les messages de sécurité et de vous y conformer.



Voici le symbole d'alerte de sécurité.

Ce symbole d'alerte de sécurité vous signale les dangers potentiels de décès et de blessures graves à vous et à d'autres.

Tous les messages de sécurité suivront le symbole d'alerte de sécurité et le mot "DANGER" ou "AVERTISSEMENT". Ces mots signifient :

⚠ DANGER

Risque possible de décès ou de blessure grave si vous ne suivez pas immédiatement les instructions.

⚠ AVERTISSEMENT

Risque possible de décès ou de blessure grave si vous ne suivez pas les instructions.

Tous les messages de sécurité vous diront quel est le danger potentiel et vous disent comment réduire le risque de blessure et ce qui peut se produire en cas de non-respect des instructions.

AVERTISSEMENT : Si les renseignements dans ces instructions ne sont pas exactement observés, un incendie ou une explosion peut survenir, causant des dommages au produit, des blessures ou un décès.

- **Ne pas entreposer ni utiliser de l'essence ou d'autres vapeurs ou liquides inflammables à proximité de cet appareil ou de tout autre appareil électroménager.**
- **QUE FAIRE DANS LE CAS D'UNE ODEUR DE GAZ :**
 - **Ne pas tenter d'allumer un appareil.**
 - **Ne pas toucher à un commutateur électrique.**
 - **Ne pas utiliser le téléphone se trouvant sur les lieux.**
 - **Appeler immédiatement le fournisseur de gaz à partir du téléphone d'un voisin. Suivre ses instructions.**
 - **À défaut de joindre votre fournisseur de gaz, appeler les pompiers.**
- **L'installation et l'entretien doivent être effectués par un installateur qualifié, une agence de service ou le fournisseur de gaz.**

AVERTISSEMENT : L'odorat ne permet pas toujours la détection d'une fuite de gaz.

Les distributeurs de gaz recommandent l'emploi d'un détecteur de gaz (homologation UL ou CSA).

Pour d'autres informations, contacter le fournisseur de gaz local.

En cas de détection d'une fuite de gaz, exécuter les instructions "Que faire dans le cas d'une odeur de gaz".

IMPORTANT : Ne pas installer un système de ventilation avec évacuation de l'air vers le bas, qui évacuerait l'air vers cet appareil de cuisson à gaz. Ce type de système de ventilation peut causer des problèmes d'allumage et de combustion avec cet appareil de cuisson à gaz et entraîner des blessures corporelles ou le fonctionnement non désiré de cet appareil.

Dans l'État du Massachusetts, les instructions d'installation suivantes sont applicables :

- Les travaux d'installation et réparation doivent être exécutés par un plombier ou tuyauteur qualifié ou licencié, ou par le personnel qualifié d'une entreprise licenciée par l'État du Massachusetts.
- Remplacer par des dispositifs de fermeture acceptables : Les robinets de gaz et robinets à bille installés pour l'utilisation devraient être indiqués.
- Si un conduit de raccordement flexible est utilisé, sa longueur ne doit pas dépasser 4 pi (121,9 cm).

EXIGENCES D'INSTALLATION

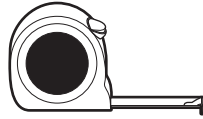
Outils et pièces

Rassembler les outils et pièces nécessaires avant d'entreprendre l'installation. Lire et observer les instructions fournies avec chacun des outils de la liste ci-dessous.

Outils nécessaires



Clé à molette



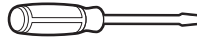
Ruban à mesurer



Marqueur ou crayon



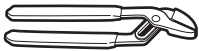
Clé à tuyauterie



Tournevis à lame plate



Clé mixte de 15/16 po (24 mm)



Clé ou pince multiprise



Composé d'étanchéité des raccords filetés résistant au gaz propane

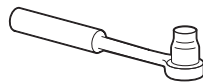


Solution non corrosive de détection des fuites

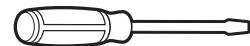
Pour les conversions gaz propane/naturel



Clé à molette



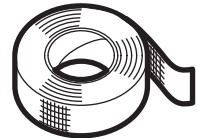
Clé à cliquet



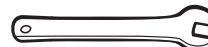
Grand tournevis à lame plate



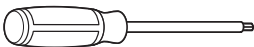
Adaptateur Torx® T20[†]



Ruban adhésif de masquage



Clé ouverte de 1/2 po (1,3 cm)



Tournevis carré no 1

[†] TORX et T20 sont des marques déposées de Acument Intellectual Properties, LLC.

Pièces fournies

Vérifier que toutes les pièces sont présentes.

- Grilles de brûleur
- Chapeaux de brûleur
- Plateau d'égouttement de la plaque à frire (sur modèles avec plaque à frire)

Pièces nécessaires

- Tous les modèles doivent être installés avec un dossieret si l'installation se fait sans dégagement entre l'appareil et une paroi arrière combustible comme un mur en gypse. Voir « Dimensions de l'armoire » à la section « Exigences d'emplacement » pour les spécifications concernant l'installation.

Vérifier les codes locaux et consulter le fournisseur de gaz. Vérifier l'alimentation en gaz et l'alimentation électrique existantes. Voir les sections « Spécifications électriques » et « Spécifications de l'alimentation en gaz ».

Il est recommandé de faire réaliser tous les raccordements électriques par un électricien qualifié agréé.

Exigences d'emplacement

IMPORTANT : Observer les dispositions de tous les codes et règlements en vigueur. Ne pas obstruer le flux de combustion et de ventilation.

- C'est à l'installateur qu'incombe la responsabilité de respecter les distances de séparation spécifiées sur la plaque signalétique. La plaque signalétique se trouve sous la console, du côté droit.
- Il est recommandé qu'une hotte de 585 CFM (993,9 m³/h) ou plus soit installée au-dessus de la table de cuisson.
- Suivre les instructions d'installation de la hotte de cuisinière ou de l'ensemble hotte/micro-ondes pour les dimensions de dégagement à respecter au-dessus de la surface de la table de cuisson.
- Dans le cas d'une cuisinière encastrée, l'enceinte doit recouvrir complètement les côtés et l'arrière de la table de cuisson.
- Toutes les ouvertures dans le mur ou le plancher de l'emplacement d'installation de la table de cuisson doivent être scellées.
- Ne pas réaliser de scellement entre la table de cuisson et les armoires latérales.
- Respecter les dimensions indiquées pour les ouvertures à découper dans les meubles. Ces dimensions constituent les valeurs minimums des dégagements.
- Une source d'électricité avec liaison à la terre est nécessaire. Voir la section « Spécifications électriques ».
- Un raccordement adéquat à l'alimentation en gaz doit être accessible. Voir la section « Spécifications de l'alimentation en gaz ».

IMPORTANT : Pour éviter d'endommager les armoires, consulter le constructeur de la maison ou le fabricant des armoires pour déterminer si les matériaux utilisés peuvent subir un changement de couleur, une déstratification ou d'autres dommages. Ce four a été conçu conformément aux exigences des normes UL et CSA International et respecte les températures maximales permises de 194 °F (90 °C) pour les armoires en bois.

Résidence mobile – Spécifications supplémentaires à respecter lors de l'installation

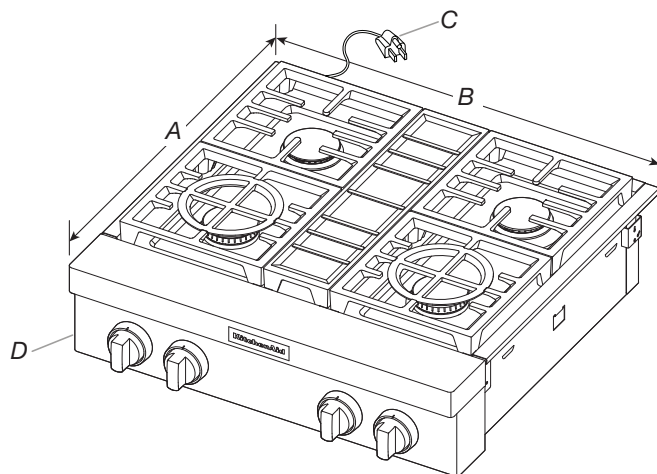
L'installation de cette table de cuisson doit être conforme aux dispositions de la norme Manufactured Home Construction and Safety Standard, Title 24 CFR, Part 3280 (anciennement Federal Standard for Mobile Home Construction and Safety, Title 24, HUD Part 280). Lorsque cette norme n'est pas applicable, utiliser la norme Standard for Manufactured Home Installations, ANSI A225.1/NFPA 501A ou les dispositions des codes locaux.

Au Canada, l'installation de cette table de cuisson doit satisfaire aux stipulations de la version la plus récente de la norme CAN/CSA-A240 ou des codes locaux en vigueur.

Dimensions du produit

REMARQUE : Les caractéristiques de la table de cuisson peuvent varier.

Modèles de 30 po (76,2 cm)



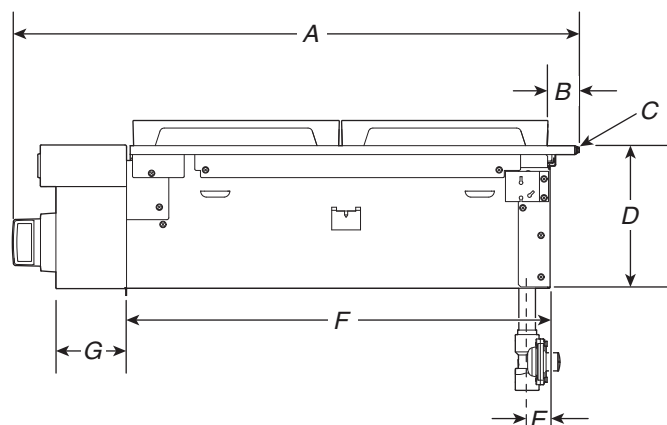
A. 27 ⁷/₈ po (70,8 cm)

B. 29 ³/₄ po (75,6 cm)

C. Cordon d'alimentation à 3 broches avec mise à la terre

D. La plaque signalétique des numéros de modèle et de série est située sur la face inférieure de la base de brûleur de la table de cuisson

Vue latérale de la table de cuisson



A. 29 ³/₈ po (74,6 cm)

B. 1 ¹/₄ po (3,2 cm)

C. Garniture d'îlot ou dossieret facultatif

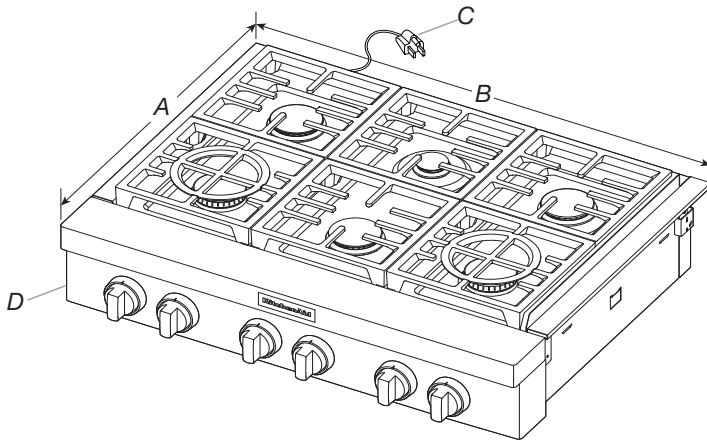
D. 7 ⁷/₁₆ po (18,8 cm)

E. L'entrée de gaz se trouve à 1 ⁷/₈ po (4,8 cm) de l'arrière de la base du brûleur de la table de cuisson et à 4 ⁷/₈ po (12,4 cm) du côté intérieur gauche de la base du brûleur de la table de cuisson.

F. 22 po (55,9 cm)

G. 3 ⁵/₈ po (9,2 cm)

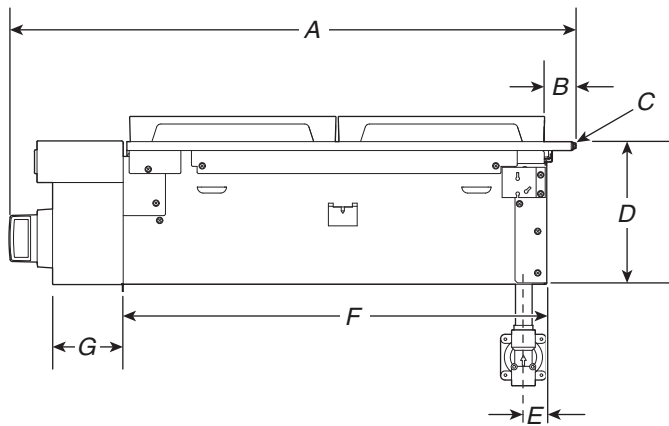
Modèles de 36 po (91,4 cm)



- A. 27 ⁷/₈ po (70,8 cm)
- B. 35 ³/₄ po (90,8 cm)

- C. Cordon d'alimentation à 3 broches avec mise à la terre
- D. La plaque signalétique des numéros de modèle et de série est située sur la face inférieure de la base de brûleur de la table de cuisson

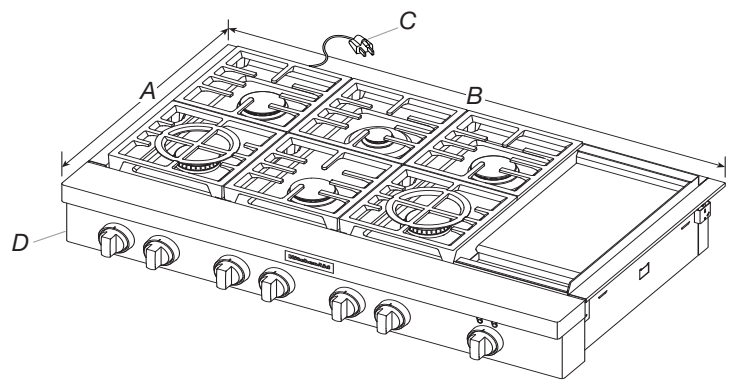
Vue latérale de la table de cuisson



- A. 29 ³/₈ po (74,6 cm)
- B. 1 ¹/₄ po (3,2 cm)
- C. Garniture d'îlot ou dossier facultatif
- D. 7 ⁷/₁₆ po (18,8 cm)

- E. L'entrée de gaz se trouve à 1 ⁷/₈ po (4,8 cm) de l'arrière de la base du brûleur de la table de cuisson et à 4 ⁷/₈ po (12,4 cm) du côté intérieur gauche de la base du brûleur de la table de cuisson.
- F. 22 po (55,9 cm)
- G. 3 ⁵/₈ po (9,2 cm)

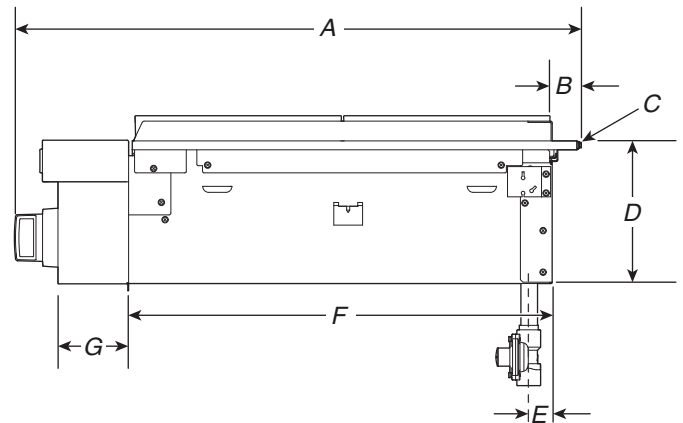
Modèles de 48 po (121,9 cm)



- A. 27 ⁷/₈ po (70,8 cm)
- B. 47 ⁷/₈ po (121,6 cm)

- C. Cordon d'alimentation à 3 broches avec mise à la terre
- D. La plaque signalétique des numéros de modèle et de série est située sur la face inférieure de la base de brûleur de la table de cuisson

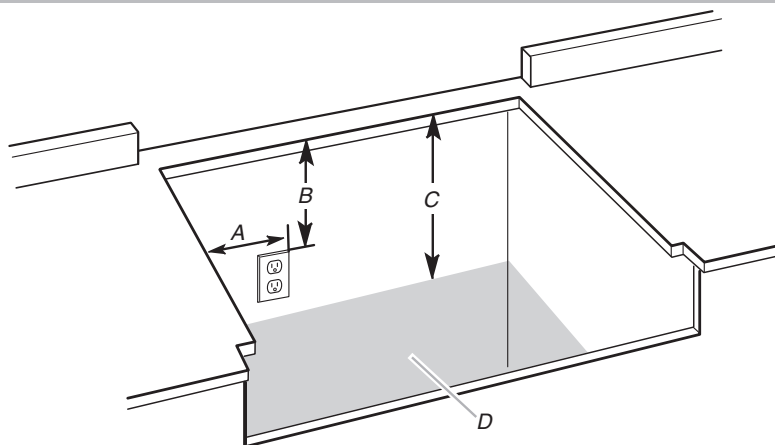
Vue latérale de la table de cuisson



- A. 29 ³/₈ po (74,6 cm)
- B. 1 ¹/₄ po (3,2 cm)
- C. Garniture d'îlot ou dossier facultatif
- D. 7 ⁷/₁₆ po (18,8 cm)

- E. L'entrée de gaz se trouve à 1 ⁷/₈ po (4,8 cm) de l'arrière de la base du brûleur de la table de cuisson et à 4 ⁷/₈ po (12,4 cm) du côté intérieur gauche de la base du brûleur de la table de cuisson.
- F. 22 po (55,9 cm)
- G. 3 ⁵/₈ po (9,2 cm)

Emplacements des raccordements au gaz et à l'électricité

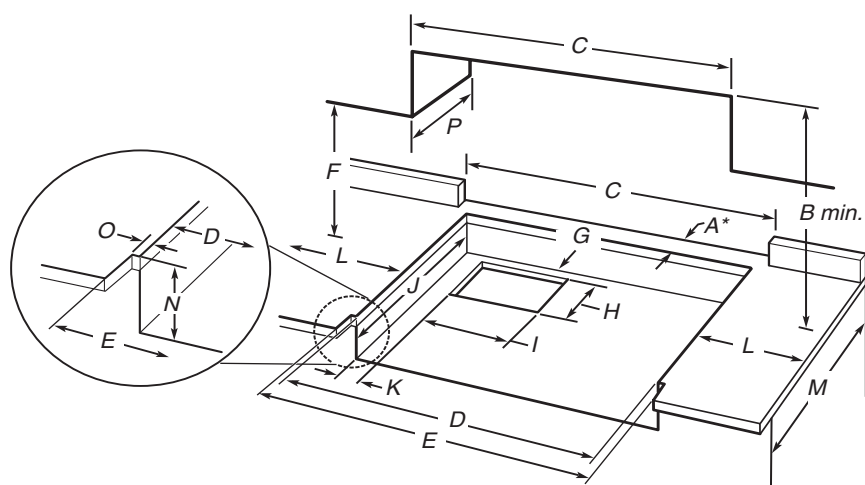


- A. La prise de courant à 3 alvéoles reliée à la terre doit se trouver du côté gauche de l'ouverture découpée, à 16 po (40,6 cm) max de la paroi latérale de l'encastrement
- B. Dégagement minimal de 10 po (25,4 cm) à partir du plan de travail jusqu'au sommet de la sortie
- C. 14 po (35,6 cm) entre le plan de travail et la canalisation d'alimentation en gaz
- D. La canalisation d'alimentation en gaz doit se trouver dans cette zone sur les murs arrière ou latéraux; la canalisation d'alimentation en gaz peut aussi ressortir à travers le plancher.

REMARQUE : Le côté plein et le fond de l'ouverture ne sont pas illustrés.

Spécifications de l'armoire

IMPORTANT : Si une hotte, une caisse de hotte ou un ensemble hotte/four à micro-ondes est installé au-dessus de la surface de cuisson, suivre les instructions d'installation de la hotte ou de l'ensemble hotte/four à micro-ondes pour obtenir les dimensions de dégagement à conserver au-dessus de la surface de cuisson.



- A. Voir le tableau.
- B. Voir le tableau.
- C. Voir le tableau.
- D. Voir le tableau.
- E. Voir le tableau.
- F. Dégagement minimal de 18 po (45,7 cm) entre l'armoire supérieure et le comptoir
- G. 3/4 po (19 mm) entre l'arrière de l'ouverture découpée dans l'armoire et l'ouverture découpée pour la canalisation de gaz
- H. 6 7/8 po (16,1 cm) de profondeur pour l'ouverture découpée pour la canalisation de gaz
- I. 12 1/2 po (31,7 cm) de largeur pour l'ouverture découpée pour la canalisation de gaz
- J. 22 1/4 po (56,5 cm) de profondeur de l'ouverture découpée dans l'armoire
- K. 2 po (5,1 cm) entre le côté de l'armoire et l'ouverture découpée pour la canalisation de gaz
- L. Dégagement de 12 po (30,4 cm) min entre les deux côtés de la table de cuisson et les parois latérales ou d'autres matériaux combustibles situés au-dessus de la surface de cuisson
- M. Profondeur de l'armoire 24 po (61,0 cm)
- N. 7 1/4 po (18,4 cm) de profondeur entre l'armoire et le plan de travail
- O. L'encoche doit être la même des deux côtés
- P. Profondeur des armoires supérieures : 13 po (33,0 cm)

Taille	A* Ouverture découpée pour la table de cuisson jusqu'au mur arrière	B** Entre la table de cuisson et l'armoire	C Ouvertures pour dossier facultatif et armoire supérieure	D Armoire et plan de travail	E Plan de travail uniquement
30 po (76,2 cm)	1 3/4 po (4,4 cm)*	42 po (106,7 cm)	30 po (76,2 cm)	29 1/4 po (74,3 cm)	29 3/4 po (75,6 cm) sans dégagement
36 po (91,4 cm)	1 3/4 po (4,4 cm)*	58 po (147,3 cm)	36 po (91,4 cm)	35 1/4 po (89,5 cm)	35 3/4 po (90,8 cm) sans dégagement
48 po (121,9 cm)	1 3/4 po (4,4 cm)*	58 po (147,3 cm)	48 po (121,9 cm)	47 1/4 po (120,0 cm)	47 3/4 po (121,2 cm) sans dégagement

***REMARQUE :** Si le mur arrière est fabriqué d'un matériau combustible et qu'aucun dossier n'est installé, un dégagement minimal de la dimension A + 6 po (15,2 cm) est nécessaire pour tous les modèles.

En cas d'installation d'une hotte au-dessus de la table de cuisson, suivre les instructions fournies avec la hotte concernant les dimensions de dégagement à respecter au-dessus de la surface de la table de cuisson.

**Si aucune ventilation n'est utilisée, Dégagements minimums

Modèles de 30 po (76,2 cm) : Distance de séparation minimale de 42 po (106,7 cm) ou plus entre le dessus de la table de cuisson et le dessous d'une surface combustible.

Modèles de 36 po (91,4 cm) : Distance de séparation minimale de 58 po (147,3 cm) ou plus entre le dessus de la table de cuisson et le dessous d'une surface combustible.

Modèles de 48 po (121,9 cm) : Distance de séparation minimale de 58 po (147,3 cm) ou plus entre le dessus de la table de cuisson et le dessous d'une surface combustible.

REMARQUE : En raison des tolérances de fabrication en usine, il s'agit de dimensions nominales. Il pourrait être nécessaire d'effectuer des modifications pour respecter votre dégagement.

Spécifications électriques : É.-U. seulement

⚠ AVERTISSEMENT



Risque de choc électrique

- Brancher sur une prise à 3 alvéoles reliée à la terre.
- Ne pas enlever la broche de liaison à la terre.
- Ne pas utiliser un adaptateur.
- Ne pas utiliser un câble de rallonge.
- Le non-respect de ces instructions peut causer un décès, un incendie ou un choc électrique.

IMPORTANT : La table de cuisson doit être correctement reliée à la terre en conformité avec les codes et règlements locaux en vigueur, ou en l'absence de tels codes, avec le National Electrical Code, ANSI/NFPA 70 ou le Code canadien des installations électriques, CSA C22.1.

Cette table de cuisson est dotée d'un système d'allumage électronique qui ne fonctionnera pas en cas de branchement dans une prise qui n'est pas correctement polarisée.

Si on utilise un conducteur distinct de mise à la terre lorsque les codes le permettent, il est recommandé qu'un électricien qualifié vérifie que la mise à la terre est adéquate.

Pour obtenir un exemplaire des normes des codes ci-dessus, contacter :

National Fire Protection Association
1 Batterymarch Park
Quincy, MA 02169-7471

CSA International
8501 East Pleasant Valley Road
Cleveland, Ohio 44131-5575

- L'appareil doit être alimenté par un circuit de 120 V CA à 60 Hz seulement et protégé par fusible de 15 A. On recommande également d'utiliser un fusible ou un disjoncteur temporisé. Il est recommandé de raccorder la table de cuisson sur un circuit distinct exclusif à cet appareil.
- Les systèmes d'allumage électronique fonctionnement avec des limites de tension étendues, mais une liaison à la terre correcte et une polarité appropriée sont nécessaires. Vérifier que la prise fournit une alimentation de 120 V et qu'elle est correctement reliée à la terre.
- Les schémas de câblage sont fournis avec cette cuisinière. Les schémas de câblage se trouvent à l'intérieur de la console de commande.

Spécifications de l'alimentation en gaz

⚠ AVERTISSEMENT



Risque d'explosion

Utiliser une canalisation neuve d'arrivée de gaz approuvée par la CSA International.

Installer un robinet d'arrêt.

Bien serrer chaque organe de connexion de la canalisation de gaz.

En cas de connexion au gaz propane, demander à une personne qualifiée de s'assurer que la pression de gaz ne dépasse pas 36 cm (14 po) de la colonne d'eau.

Par personne qualifiée, on comprend :

le personnel autorisé de chauffage,
le personnel autorisé d'une compagnie de gaz, et
le personnel d'entretien autorisé.

Le non-respect de ces instructions peut causer un décès, une explosion ou un incendie.

Observer les dispositions de tous les codes et règlements en vigueur.

IMPORTANT : Cette installation doit être effectuée conformément avec les codes et règlements locaux. En l'absence de codes locaux, l'installation doit être effectuée en conformité avec l'édition la plus récente du American National Standard, National Fuel Gas Code ANSI Z223.1 ou l'édition la plus récente du CAN/CGA B149.

IMPORTANT : La table de cuisson doit être raccordée à une source d'alimentation en gaz régulée.

IMPORTANT : Des tests d'étanchéité doivent être effectués sur la table de cuisson, conformément aux instructions du fabricant.

Type de gaz

Gaz naturel :

Cette table de cuisson a été configurée à l'usine pour l'alimentation au gaz naturel. La plaque signalétique située sous la console, du côté droit, contient des informations sur les types de gaz utilisables. Si le type de gaz offert n'est pas mentionné sur la plaque signalétique, consulter le fournisseur local.

Conversion pour l'alimentation au propane :

L'opération de conversion doit être exécutée par un technicien de réparation qualifié.

Ne pas entreprendre de convertir la table de cuisson pour une utilisation avec un gaz différent de celui indiqué sur la plaque signalétique sans d'abord consulter le fournisseur de gaz. Pour la conversion au gaz propane, utiliser la trousse de conversion au gaz propane fournie avec la table de cuisson et voir la section « Conversions pour changement de gaz ». Les pièces pour cette trousse se trouvent dans le sachet contenant la documentation fournie avec la table de cuisson.

Canalisation d'alimentation en gaz

- Installer une canalisation de gaz rigide de 3/4 po (1,9 cm) jusqu'à l'emplacement d'installation de la table de cuisson. L'emploi d'une canalisation de diamètre inférieur sur un circuit plus long peut causer une insuffisance du débit d'alimentation en gaz. Pour l'alimentation au propane, le diamètre des canalisations ou tuyaux doit être de 1/2 po (1,3 cm) minimum. En général, le fournisseur de gaz propane détermine les matériaux à utiliser et le diamètre approprié.

REMARQUE : On doit utiliser un composé d'étanchéité pour tuyauteries résistant à l'action du gaz propane. Ne pas utiliser de ruban TEFLON[†].

Raccord métallique flexible :

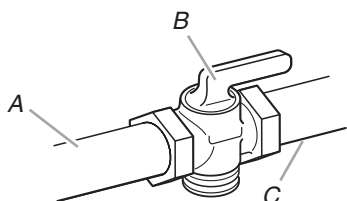
- Si le code local le permet, on peut utiliser un raccord métallique flexible neuf (homologation CSA) de 4 à 5 pi (122 à 152 cm) de longueur, diamètre interne 5/8 po (1,6 cm) ou 3/4 po (1,9 cm), pour raccorder la table de cuisson à la canalisation de gaz.



- Un raccord de tuyauterie mâle de 1/2 po (1,3 cm) est nécessaire pour la connexion sur le raccord à filetage femelle à l'entrée du détendeur de l'appareil.
- Ne pas déformer/écraser/endommager le tube métallique flexible lors d'un déplacement de la table de cuisson.

IMPORTANT : Tous les raccords doivent être bien serrés à l'aide d'une clé. Ne pas serrer excessivement la connexion sur le détendeur. Un serrage excessif pourrait provoquer une fissuration du détendeur et une fuite de gaz. Lors du serrage des raccords, empêcher le détendeur de tourner ou de bouger.

- Robinet d'arrêt nécessaire : Procéder à l'installation d'une vanne de fermeture manuelle pour la conduite de gaz dans un endroit facile d'accès. Ne pas entraver l'accès au robinet d'arrêt manuel. Le robinet d'arrêt manuel est prévu pour ouvrir ou fermer l'alimentation en gaz de la table de cuisson.



- A. Canalisation de gaz
B. Robinet d'arrêt en position ouverte
C. Vers la table de cuisson

Détendeur

Le détendeur fourni avec cette table de cuisson doit être utilisé. La pression d'alimentation du détendeur doit respecter les indications suivantes pour obtenir un fonctionnement correct :

Gaz naturel :

Pression minimale : 5 po (12,7 cm) de colonne d'eau
Pression maximale : 14 po (35,6 cm) de colonne d'eau

Gaz propane :

Pression minimale : 10 po (25,4 cm) de colonne d'eau
Pression maximale : 14 po (35,6 cm) de colonne d'eau

En cas d'incertitude quant à la pression d'alimentation à établir, contacter le fournisseur de gaz local.

Débit thermique des brûleurs – Altitude

Les débits thermiques indiqués sur la plaque signalétique correspondent à une altitude d'utilisation inférieure à 2 000 pi (609,6 m).

Lorsque l'appareil est utilisé à une altitude supérieure à 2 000 pi (609,6 m), on doit réduire le débit thermique indiqué de 4 % pour chaque tranche de 1 000 pi (304,8 m) au-dessus du niveau de la mer (non applicable au Canada).

Essai de pression de la canalisation de gaz

On doit tester le détendeur sous une pression supérieure d'au moins 1 po (2,5 cm) à la pression de la tubulure de distribution indiquée sur la plaque signalétique.

Mise sous pression à une pression supérieure à 1/2 lb/po² (3,5 kPa) (14 po [35,6 cm] de colonne d'eau)

Lors de tout test de pressurisation de ce système à une pression supérieure à 1/2 lb/po² (3,5 kPa), on doit déconnecter la table de cuisson et son robinet d'arrêt individuel de la canalisation de gaz.

Mise sous pression à une pression de 1/2 lb/po² (3,5 kPa) (14 po [35,6 cm] de colonne d'eau) ou moins

Lors de tout test de pressurisation de la canalisation de gaz à une pression égale ou inférieure à 1/2 lb/po² (3,5 kPa), on doit isoler la table de cuisson de la canalisation de gaz par fermeture de son robinet d'arrêt manuel individuel.

[†]® TEFLON est une marque déposée de Chemours.

INSTRUCTIONS D'INSTALLATION

Installation de la table de cuisson

⚠ AVERTISSEMENT

Risque du poids excessif

Utiliser deux ou plus de personnes pour déplacer et installer la table de cuisson.

Le non-respect de cette instruction peut causer une blessure au dos ou d'autre blessure.

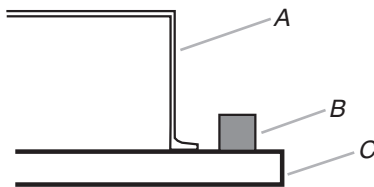
Prendre note des numéros de modèle et de série avant d'installer la table de cuisson. Les deux numéros sont situés sur la partie inférieure avant gauche de la base du brûleur.

Déballer les pièces fournies avec la table de cuisson. Les pièces expédiées avec la table de cuisson dépendent du modèle commandé. Voir la section « Outils et pièces » pour une liste complète des pièces fournies avec votre table de cuisson.

Le détendeur et le connecteur de la canalisation de gaz flexible en acier inoxydable peuvent être raccordés à la table de cuisson maintenant ou après l'installation de la table de cuisson dans l'ouverture. Voir la section « Raccordement au gaz ».

1. Déterminer l'emplacement final de la table de cuisson.
2. À l'aide de deux personnes ou plus, placer la table de cuisson à l'envers sur une surface couverte.
3. Enlever la bande de mousse de l'emballage de documents. Retirer l'endos de la bande de mousse. Appliquer le côté adhésif de la bande en mousse le long des rives gauche et droite de la garniture de table de cuisson, en progressant vers le bas.

REMARQUE : La bande de mousse aide la table de cuisson à rester à plat sur des comptoirs irréguliers et permet d'éviter d'endommager la surface de la surface du plan de travail.



A. Base de la table de cuisson
B. Bande de mousse
C. Table de cuisson

4. En employant au moins deux personnes, mettre la table de cuisson à l'endroit.

Raccordement au gaz

⚠ AVERTISSEMENT



Risque d'explosion

Utiliser une canalisation neuve d'arrivée de gaz approuvée par la CSA International.

Installer un robinet d'arrêt.

Bien serrer chaque organe de connexion de la canalisation de gaz.

En cas de connexion au gaz propane, demander à une personne qualifiée de s'assurer que la pression de gaz ne dépasse pas 36 cm (14 po) de la colonne d'eau.

Par personne qualifiée, on comprend :

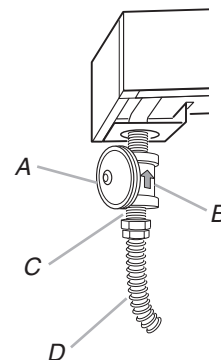
le personnel autorisé de chauffage,
le personnel autorisé d'une compagnie de gaz, et
le personnel d'entretien autorisé.

Le non-respect de ces instructions peut causer un décès, une explosion ou un incendie.

Assemblage du détendeur :

1. À deux personnes ou plus, placer la table de cuisson sur le côté ou le dos.
2. Connecter le raccord flexible d'acier inoxydable au détendeur – utiliser un raccord d'adaptation comportant un filetage mâle de 1/2 po (1,3 cm) (NPT).

On doit utiliser une combinaison de raccords de tuyauterie pour raccorder la table de cuisson à l'alimentation en gaz existante. L'illustration suivante présente un raccordement typique. Le raccordement peut varier, selon le type d'alimentation, la dimension et l'emplacement.



- A. Détendeur
B. Détendeur – Doit être installé avec la flèche pointant vers le haut (vers le fond de la table de cuisson)
C. Raccord d'adaptation avec filetage mâle 1/2 po (1,3 cm) pour tuyauterie
D. Canalisation flexible d'alimentation en gaz (acier inoxydable) approuvée par la CSA

- Orienter la flèche du détendeur vers le haut, vers le fond de la base des brûleurs de la table de cuisson et orienter horizontalement le détendeur de telle manière que le chapeau du détendeur soit accessible.

IMPORTANT : Tous les raccords doivent être bien serrés à l'aide d'une clé. Ne pas serrer excessivement la connexion sur le détendeur. Un serrage excessif pourrait provoquer une fissuration du détendeur et une fuite de gaz. Lors du serrage d'un raccord, empêcher le détendeur de tourner sur le tuyau.

Utiliser uniquement un composé d'étanchéité des tuyauteries conçu pour l'utilisation avec le gaz naturel ou le propane. Ne pas utiliser de ruban TEFLON®.

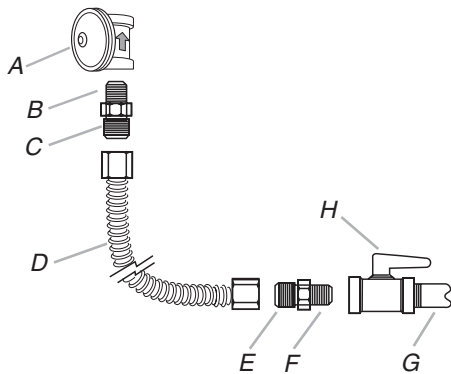
Il sera nécessaire de choisir les raccords à utiliser en fonction de la configuration d'installation.

- Placer la table de cuisson dans la découpe du plan de travail.

REMARQUE : Vérifier que le bord avant de la table de cuisson est parallèle au bord avant du plan de travail. S'il est nécessaire de repositionner la table de cuisson, la soulever entièrement de l'ouverture pour éviter de rayer le comptoir.

Raccordement typique par raccord flexible

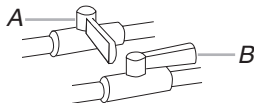
- Appliquer un composé d'étanchéité de filetages résistant au propane sur l'extrémité filetée la plus petite des adaptateurs de raccord flexible (voir B et F ci-dessous).
- Fixer un raccord d'adaptation sur le détendeur et l'autre raccord d'adaptation sur le robinet d'arrêt de la canalisation de gaz. Serrer les deux adaptateurs.
- Utiliser une clé mixte de 15/16 po (2,4 cm) et une pince multiprise pour fixer le raccord flexible sur les raccords d'adaptation. S'assurer que le raccord n'est pas déformé.



- | | |
|--|--|
| A. Détendeur | E. Adaptateur |
| B. Utiliser un composé d'étanchéité des tuyauteries. | F. Utiliser un composé d'étanchéité des tuyauteries. |
| C. Raccord d'adaptation avec filetage mâle 1/2 po (1,3 cm) pour tuyauterie | G. Conduite de gaz de 1/2 po (1,3 cm) ou 3/4 po (1,9 cm) |
| D. Raccord flexible | H. Robinet d'arrêt manuel |

Achever le raccordement

- Ouvrir le robinet d'arrêt manuel sur la canalisation d'alimentation en gaz. Le robinet est ouvert lorsque la manette est parallèle au conduit d'alimentation en gaz.



- A. Robinet fermé
B. Robinet ouvert

- Vérifier tous les raccordements en les badigeonnant d'une solution de détection des fuites non corrosive approuvée. L'apparition de bulles indique une fuite. Réparer toutes les fuites.
- Ôter les chapeaux et grilles de brûleur de la table de cuisson du sachet de pièces. Placer les chapeaux de brûleur sur les bases de brûleur. Placer les grilles sur les brûleurs et chapeaux.

⚠ AVERTISSEMENT



Risque de choc électrique

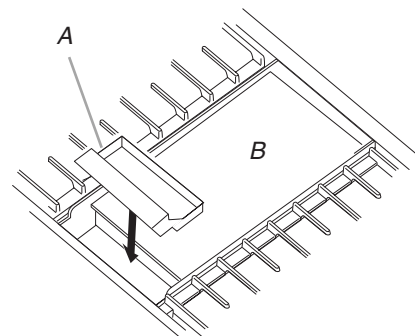
- Brancher sur une prise à 3 alvéoles reliée à la terre.**
- Ne pas enlever la broche de liaison à la terre.**
- Ne pas utiliser un adaptateur.**
- Ne pas utiliser un câble de rallonge.**
- Le non-respect de ces instructions peut causer un décès, un incendie ou un choc électrique.**

- Brancher sur une prise de courant à 3 alvéoles reliée à la terre.
- S'assurer du bon fonctionnement des brûleurs de surface. Consulter le point « Contrôle du fonctionnement des brûleurs de la table de cuisson » dans la section « Terminer l'installation ».
- Si votre modèle est muni d'une plaque à frire, consulter la section « Installation de la plaque à frire ».

Installer le plateau d'égouttement (sur modèles avec plaque à frire)

La plaque à frire est installée à l'usine.

- Placer le plateau d'égouttement dans la cavité à l'avant de la plaque à frire. Faire glisser le plateau vers l'arrière jusqu'à la position de butée.



- A. Plateau d'égouttement de la plaque à frire
B. Plaque à frire

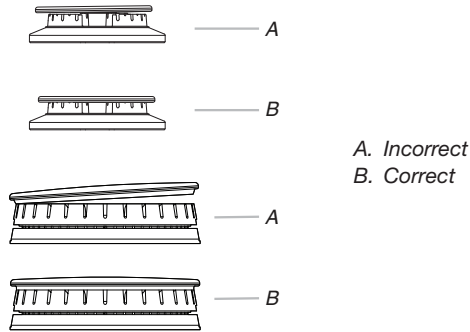
- Nettoyer la plaque à frire avant de l'utiliser. Consulter le Guide d'utilisation et d'entretien.

Terminer l'installation

Installer les chapeaux de brûleur

Placer les chapeaux de brûleurs sur la tête des brûleurs. Si les chapeaux de brûleurs ne sont pas bien positionnés, les brûleurs de surface pourraient ne pas s'allumer et les flammes des brûleurs ne seront pas uniformes et stables.

Brûleurs




Système d'allumage électronique

Allumage initial et réglage des flammes de gaz

À la place de flammes de veille, les brûleurs de la table de cuisson sont dotés d'allumeurs électroniques. Lorsqu'on place le bouton de commande de la table de cuisson à n'importe quelle position, le système génère une étincelle pour allumer le brûleur. Les étincelles continuent d'être générées jusqu'à ce que la flamme soit allumée ou que le bouton soit tourné sur OFF (arrêt).

REMARQUE : L'allumage des brûleurs prend plus de temps la première fois. Cela permet au gaz d'arriver aux brûleurs lors de la première utilisation.

Contrôle du fonctionnement des brûleurs de la table de cuisson

Enfoncer et faire tourner le bouton de commande du brûleur à la position .

REMARQUE : Un déclic retentit lorsque la canalisation se vide.

Les brûleurs de surface et les flammes du grill doivent s'allumer en 4 secondes. Lors de l'allumage initial du brûleur, le délai d'allumage peut être supérieur à 4 secondes du fait de la présence d'air dans la canalisation de gaz.

Après avoir vérifié le bon fonctionnement du brûleur, tourner les boutons de commande à OFF (arrêt).

Si les brûleurs ne s'allument pas correctement :

- Tourner le bouton de commande de la table de cuisson à la position OFF (arrêt).
- Vérifier que la table de cuisson est branchée, que le disjoncteur ne s'est pas déclenché et qu'aucun fusible n'est grillé.
- Vérifier que les robinets d'arrêt de gaz sont en position ouverts.
- Vérifier que les chapeaux de brûleur sont correctement placés sur la base des brûleurs.

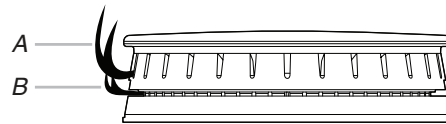
Répéter la mise en marche. Si à ce stade un brûleur ne s'allume pas, contacter le revendeur ou une entreprise de service agréée.

Hauteur de flamme

La flamme de la table de cuisson doit être bleue et constante.

REMARQUE : Les hauteurs de flamme sont réglées en usine. Si elles ne semblent pas correctes, contacter votre fournisseur de services.

Brûleur



A. Flamme supérieure (principale)

B. Flamme inférieure (mijotage)

REMARQUE : Brûleur double superposé présenté.

CONVERSIONS POUR CHANGEMENT DE GAZ

IMPORTANT : L'opération de conversion de l'appareil (pour l'alimentation au gaz propane au lieu du gaz naturel) doit être exécutée par un installateur qualifié.

⚠ AVERTISSEMENT



Risque d'explosion

Utiliser une canalisation neuve d'arrivée de gaz approuvée par la CSA International.

Installer un robinet d'arrêt.

Bien serrer chaque organe de connexion de la canalisation de gaz.

En cas de connexion au gaz propane, demander à une personne qualifiée de s'assurer que la pression de gaz ne dépasse pas 36 cm (14 po) de la colonne d'eau.

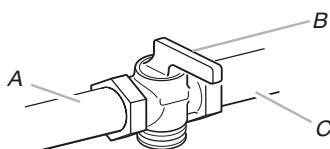
Par personne qualifiée, on comprend :

le personnel autorisé de chauffage,
le personnel autorisé d'une compagnie de gaz, et
le personnel d'entretien autorisé.

Le non-respect de ces instructions peut causer un décès, une explosion ou un incendie.

Conversion pour l'alimentation au propane

1. Fermer le robinet d'arrêt manuel à la position fermée.

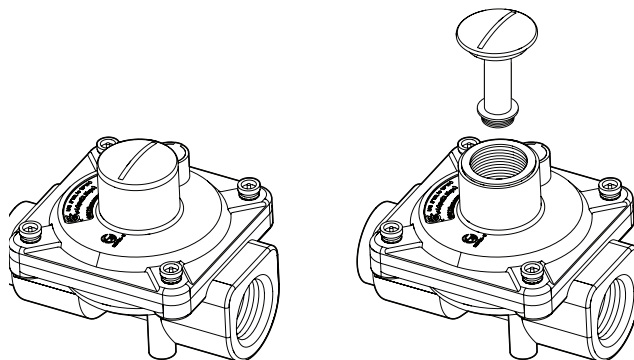


A. Vers la table de cuisson
B. Robinet d'arrêt (position fermée)
C. Canalisation d'alimentation en gaz

2. Débrancher la table de cuisson ou déconnecter la source de courant électrique.

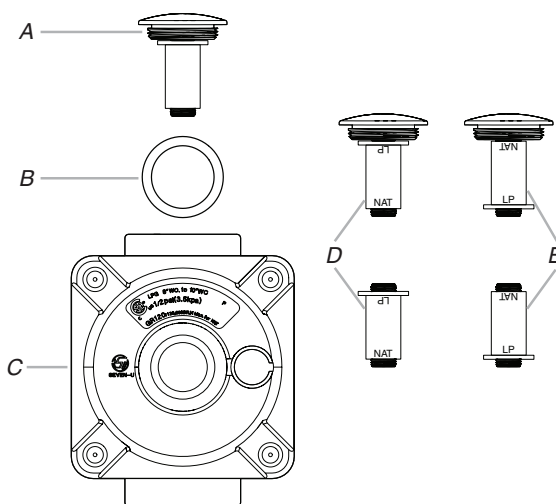
Conversion du détendeur du gaz naturel au gaz propane

1. Retirer le chapeau du détendeur à l'aide d'un gros tournevis à lame plate en tournant le chapeau du détendeur dans le sens antihoraire. Lorsque le chapeau est enlevé, ne pas desserrer le joint en métal.



REMARQUE : Ne pas enlever le ressort situé sous le capuchon.

2. Ôter le ressort de retenue qui se trouve sous le chapeau en tournant le ressort de retenue dans le sens antihoraire. Identifier les positions « LP » (propane) et « NAT » (naturel) sur le ressort de retenue. Orienter correctement le ressort de retenue pour que la flèche « LP » (propane) pointe vers le chapeau.



A. Chapeau de l'ouverture d'accès
B. Joint en métal
C. Détendeur
D. Ressort de retenue en position NAT (naturel)
E. Ressort de retenue en position LP (propane)

3. Serrer le chapeau du détendeur à l'aide d'un gros tournevis à lame plate en tournant le chapeau du détendeur dans le sens horaire.
4. Tester le détendeur et la canalisation de gaz.

On doit tester le détendeur sous une pression supérieure d'au moins 1 po (2,5 cm) de colonne d'eau à la pression de service. Pour le fonctionnement et le contrôle du réglage du détendeur, il faut que la pression d'admission au détendeur corresponde aux indications ci-dessous :

Gaz propane :

Pression minimale : 10 po (25,4 cm) de colonne d'eau

Pression maximale : 14 po (35,6 cm) de colonne d'eau

Essai de pression de la canalisation de gaz

On doit tester le détendeur sous une pression supérieure d'au moins 1 po (2,5 cm) à la pression de la tubulure de distribution indiquée sur la plaque signalétique.

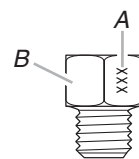
Mise sous pression à une pression supérieure à 1/2 lb/po² (3,5 kPa) (14 po [35,6 cm] de colonne d'eau)

Lors de tout test de pressurisation de ce système à une pression supérieure à 1/2 lb/po² (3,5 kPa), on doit déconnecter la table de cuisson et son robinet d'arrêt individuel de la canalisation de gaz.

Mise sous pression à une pression de 1/2 lb/po² (3,5 kPa) (14 po [35,6 cm] de colonne d'eau) ou moins

Lors de tout test de pressurisation de la canalisation de gaz à une pression égale ou inférieure à 1/2 lb/po² (3,5 kPa), on doit isoler la table de cuisson de la canalisation de gaz par fermeture de son robinet d'arrêt manuel individuel.

Gicleur de brûleur



A. Marquage pour identification de la taille
B. Marque de type de gaz (L pour propane et N pour gaz naturel)

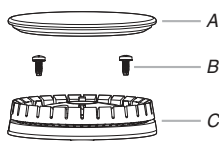
- Placer le gicleur pour gaz naturel dans le sachet en plastique contenant les pièces et conserver le tout avec le sachet de documentation pour pouvoir le réutiliser ultérieurement.

REMARQUE : Il peut y avoir des trous supplémentaires dans votre trousse.

- Réinstaller la base du brûleur et les vis. Serrer les vis jusqu'à ce que le brûleur soit en affleurement avec la surface de cuisson, pas plus. Ne pas trop serrer.
- Réinstaller le chapeau de brûleur.
- Répéter les étapes 2 à 8 pour les autres brûleurs.
- Retirer les boutons de commande et encadrements des brûleurs de surface en utilisant le tournevis carré no 1.

Conversion des brûleurs de surface du gaz naturel au gaz propane

- Si les grilles de brûleur sont installées, les retirer.
- Ôter le chapeau de brûleur.
- Retirer la base du brûleur en dévissant d'abord (2) vis T-20.



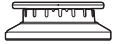

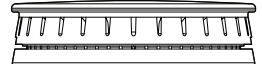
Brûleur

- A. Chapeau de brûleur
B. Vis
C. Base du brûleur

- Appliquer du ruban adhésif de masquage à l'extrémité d'un tourne-écrou de 1/4 po (7 mm) pour retenir le gicleur du brûleur dans le tourne-écrou durant l'extraction. Insérer le tourne-écrou dans l'ouverture de gaz, appuyer sur le gicleur et le retirer en le faisant tourner dans le sens antihoraire et en le soulevant. Conserver à part l'injecteur du brûleur.
- Remplacer le gicleur par un gicleur pour gaz propane de taille correcte. Voir le « Tableau de sélection des gicleurs/injecteurs femelles pour gaz propane ».

Suivre les indications du tableau ci-dessous pour déterminer l'emplacement exact de chaque gicleur de brûleur

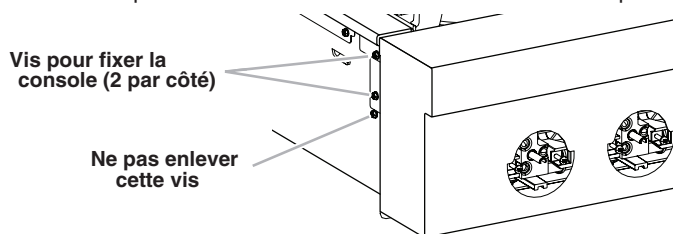
Tableau de sélection des gicleurs/injecteurs femelles pour gaz propane

Puissance thermique	Empreinte	Taille	Style de brûleur
4 000 BTU	63	0,63 mm	Petit brûleur
			
12 000 BTU	103	1,03 mm	Brûleur moyen
			
13 000 BTU	99	0,99 mm	Gros brûleur – principal
	50	0,50 mm	Gros brûleur – mijotage
			

REMARQUE : Consulter la plaque signalétique pour obtenir plus de renseignements sur les capacités nominales du brûleur et les emplacements.

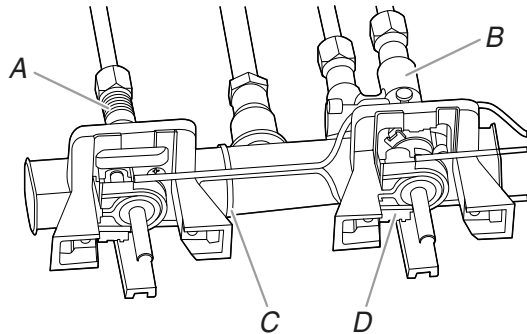
Effectuer le réglage faible de mijotage du brûleur de surface au propane

- Débrancher la table de cuisson ou déconnecter la source de courant électrique.
- À l'aide du tournevis carré, retirer les boutons de commande et encadrements du brûleur de surface.
- Ôter les deux vis situées de chaque côté de la table de cuisson qui maintiennent la console de commande en place.

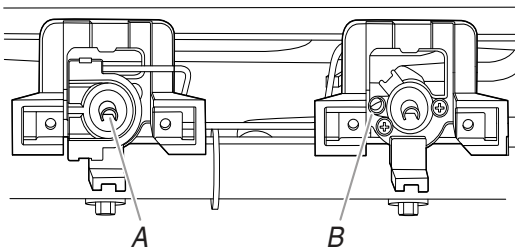


- Retirer la console et la mettre de côté.

5. Trouver la vis de réglage d'intensité faible pour le brûleur approprié sur la valve. La vis de réglage d'intensité faible pour les valves des brûleurs arrière gauche, arrière droit, arrière central et avant central (aluminium) est située au centre de la tige de la valve. La vis de réglage d'intensité faible pour les valves des brûleurs avant gauche et avant droit (laiton) est située derrière le commutateur d'allumage sur le corps de la valve, à gauche de la tige. Pour retirer le commutateur d'allumage, couper l'attache mono-usage et tirer le commutateur pour le sortir de la tige de valve.



- A. Valve en aluminium pour les brûleurs arrière gauche, arrière droit, arrière central et avant central
 B. Valve en laiton pour les brûleurs avant gauche et avant droit
 C. Attache mono-usage
 D. Commutateur d'ignition



- A. Vis de réglage d'intensité faible pour la valve en aluminium au centre de la tige
 B. Vis de réglage d'intensité faible de la valve en laiton

6. En plaçant le brûleur sur ON (marche) (le brûleur devra être allumé manuellement à l'aide d'un briquet) et régler sur simmer LOW (mijotage faible), régler la flamme de mijotage vers le bas pour obtenir la bonne puissance en BTU. À l'aide d'un tournevis à lame plate de 1/8 po x 4 1/4 po (3,2 mm x 10,8 cm), tourner la vis de réglage d'intensité de mijotage faible dans le sens horaire jusqu'à ce que la hauteur de la flamme se situe au niveau du chapeau ou en dessous. Si la flamme devient instable et tremblote ou semble courir autour du brûleur, le réglage est trop faible et la vis doit être tournée dans le sens antihoraire jusqu'à ce que la flamme soit stable. Répéter cette étape pour tous les brûleurs de surface.

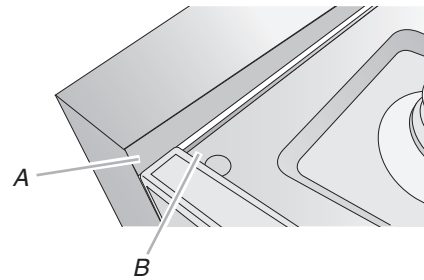
REMARQUE : Utiliser le bouton pour régler la valve du brûleur.

REMARQUE : Régler individuellement chaque brûleur.

7. Une fois les réglages terminés, remplacer les commutateurs d'allumage sur les valves.

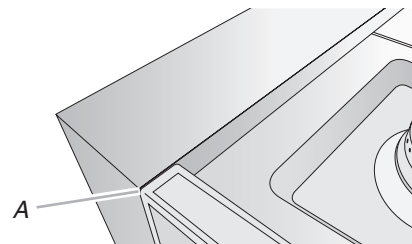
8. Soulever la console de commande et la remettre en place. Pour que les deux soient bien emboîtées, le rebord de la console de commande doit se rabattre par-dessus la bordure avant de la table de cuisson.

REMARQUE : Il pourrait être nécessaire de soulever les tiges de valves pour effectuer l'alignement avec les trous de la console.



- A. Rebord de la console de commande
 B. Bordure avant la table de cuisson

9. Vérifier que la console de commande est en affleurement avec le bord supérieur de la table de cuisson.



- A. En affleurement avec la table de cuisson

10. Remettre en place les vis de chaque côté de la console de commande.
 11. Replacer les encadrements à l'aide des 2 vis qui se fixent aux supports de valves, en s'assurant de bien placer les encadrements avant et arrière. Ils ne pourront être correctement fixés s'ils ne sont pas à la bonne place.
 12. Placer les boutons de surface sur les tiges des valves.
 13. Replacer les grilles des brûleurs.

Terminer l'installation

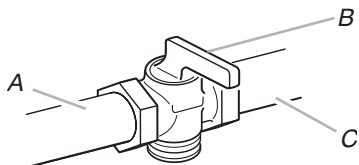
1. Consulter la section « Raccordement au gaz » pour le raccordement correct de la table de cuisson à la canalisation d'alimentation en gaz.
 2. Pour l'allumage et l'utilisation corrects du brûleur, ainsi que le réglage des flammes sur le brûleur, voir la section « Système d'allumage électronique ».

IMPORTANT : Il peut être nécessaire de modifier le réglage des flammes à la position du débit thermique minimum « LO » pour chaque brûleur de la table de cuisson. Il est très important de vérifier l'établissement de flammes correctes sur les brûleurs de la table de cuisson. Le petit cône interne doit comporter une flamme bleue très distincte de 1/4 po (6,4 mm) à 1/2 po (1,3 cm) de long. Le cône extérieur n'est pas aussi net que le cône intérieur. Les flammes produites par le gaz propane ont une pointe légèrement jaune.

3. Voir le point « Terminer l'installation » de la section « Instructions d'installation » du présent manuel pour achever cette procédure.

Conversion au gaz naturel

1. Fermer le robinet d'arrêt manuel à la position fermée.



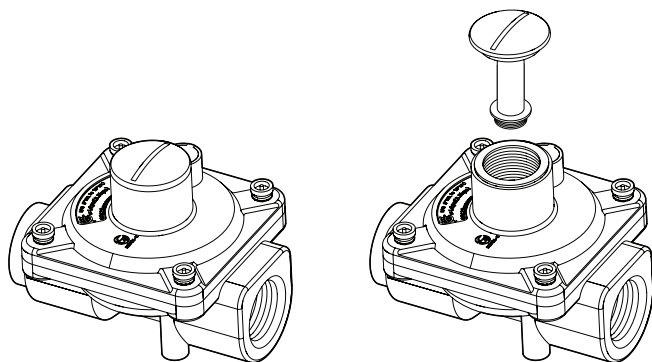
- A. Vers la table de cuisson
 B. Robinet d'arrêt (position fermée)
 C. Canalisations d'alimentation en gaz

2. Débrancher la table de cuisson ou déconnecter la source de courant électrique.

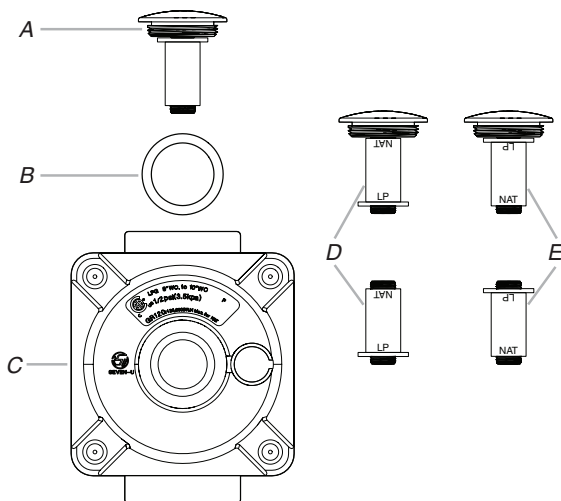
Conversion du détendeur du gaz propane au gaz naturel

1. Retirer le chapeau du détendeur à l'aide d'un gros tournevis à lame plate en tournant le chapeau du détendeur dans le sens antihoraire. Lorsque le chapeau est enlevé, ne pas desserrer le joint en métal.

REMARQUE : Ne pas enlever le ressort situé sous le capuchon.



2. Ôter le ressort de retenue qui se trouve sous le chapeau en tournant le ressort de retenue dans le sens antihoraire. Identifier les positions « LP » (propane) et « NAT » (naturel) sur le ressort de retenue. Orienter correctement le ressort de retenue pour que la flèche « NAT » (naturel) pointe vers le chapeau.



- A. Chapeau de l'ouverture d'accès
 B. Joint en métal
 C. Détendeur
 D. Ressort de retenue en position LP (propane)
 E. Ressort de retenue en position NAT (naturel)

3. Serrer le chapeau du détendeur à l'aide d'un gros tournevis à lame plate en tournant le chapeau du détendeur dans le sens horaire.
4. Tester le détendeur et la canalisation de gaz.

On doit tester le détendeur sous une pression supérieure d'au moins 1 po (2,5 cm) de colonne d'eau à la pression de service. Pour le fonctionnement et le contrôle du réglage du détendeur, il faut que la pression d'admission au détendeur corresponde aux indications ci-dessous :

Gaz naturel :

Pression minimale : 5 po (12,7 cm) de colonne d'eau
 Pression maximale : 14 po (35,6 cm) de colonne d'eau

Essai de pression de la canalisation de gaz

On doit tester le détendeur sous une pression supérieure d'au moins 1 po (2,5 cm) à la pression de la tubulure de distribution indiquée sur la plaque signalétique.

Mise sous pression à une pression supérieure à 1/2 lb/po² (3,5 kPa) (14 po [35,6 cm] de colonne d'eau)

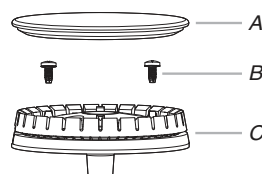
Lors de tout test de pressurisation de ce système à une pression supérieure à 1/2 lb/po² (3,5 kPa), on doit déconnecter la table de cuisson et son robinet d'arrêt individuel de la canalisation de gaz.

Mise sous pression à une pression de 1/2 lb/po² (3,5 kPa) (14 po [35,6 cm] de colonne d'eau) ou moins

Lors de tout test de pressurisation de la canalisation de gaz à une pression égale ou inférieure à 1/2 lb/po² (3,5 kPa), on doit isoler la table de cuisson de la canalisation de gaz par fermeture de son robinet d'arrêt manuel individuel.

Conversion des brûleurs de surface du gaz propane au gaz naturel

1. Si les grilles de brûleur sont installées, les retirer.
2. Ôter le chapeau de brûleur.
3. Retirer la base du brûleur en dévissant d'abord (2) vis T-20.



Brûleur

- A. Chapeau de brûleur
 B. Vis
 C. Base du brûleur

4. Appliquer du ruban adhésif de masquage à l'extrémité d'un tourne-écrou de 1/4 po (7 mm) pour retenir le gicleur du brûleur dans le tourne-écrou durant l'extraction. Insérer le tourne-écrou dans l'ouverture de gaz, appuyer sur le gicleur et le retirer en le faisant tourner dans le sens antihoraire et en le soulevant. Conserver à part l'injecteur du brûleur.
5. Remplacer le gicleur par un gicleur pour gaz naturel de taille correcte. Voir le « Tableau de sélection des gicleurs/injecteurs femelles pour gaz naturel ».

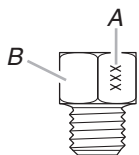
Suivre les indications du tableau ci-dessous pour déterminer l'emplacement exact de chaque gicleur de brûleur.

Tableau de sélection des gicleurs/injecteurs femelles pour gaz naturel

Puissance thermique	Empreinte	Taille	Style de brûleur
5 000 BTU	99	0,99 mm	Petit brûleur
15 000 BTU	175	1,75 mm	Brûleur moyen
20 000 BTU	203 78	2,03 mm 0,78 mm	Grand brûleur – principal Grand brûleur – mijotage

REMARQUE : Consulter la plaque signalétique pour obtenir plus de renseignements sur les capacités nominales du brûleur et les emplacements.

Gicleur de brûleur

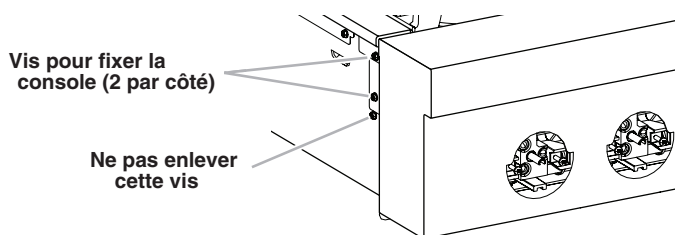


- A. Marquage pour identification de la taille
- B. Marque de type de gaz (L pour propane et N pour gaz naturel)

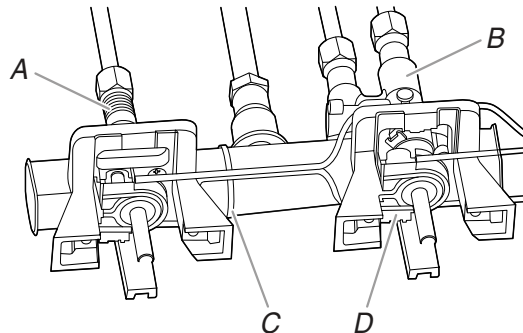
6. Placer l'injecteur pour gaz propane dans le sachet en plastique contenant les pièces et conserver le tout avec le sachet de documentation pour pouvoir le réutiliser ultérieurement.
7. Réinstaller la base du brûleur et les vis. Serrer les vis jusqu'à ce que le brûleur soit en affleurement avec la surface de cuisson, pas plus. Ne pas trop serrer.
8. Réinstaller le chapeau de brûleur.
9. Répéter les étapes 2 à 8 pour les autres brûleurs.

Effectuer le réglage faible de mijotage du brûleur de surface au gaz naturel

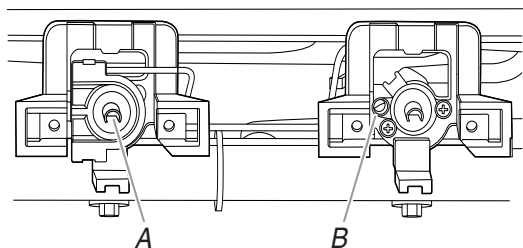
1. Débrancher la table de cuisson ou déconnecter la source de courant électrique.
2. À l'aide du tournevis carré, retirer les boutons de commande et encadrements du brûleur de surface.
3. Ôter les deux vis situées de chaque côté de la table de cuisson qui maintiennent la console de commande en place.



4. Retirer la console et la mettre de côté.
5. Trouver la vis de réglage d'intensité faible pour le brûleur approprié sur la valve. La vis de réglage d'intensité faible pour les valves des brûleurs arrière gauche, arrière droit, arrière central et avant central (aluminium) est située au centre de la tige de la valve. La vis de réglage d'intensité faible pour les valves des brûleurs avant gauche et avant droit (laiton) est située derrière le commutateur d'allumage sur le corps de la valve, à gauche de la tige. Pour retirer le commutateur d'allumage, couper l'attache mono-usage et tirer le commutateur pour le sortir de la tige de valve.



- A. Valve en aluminium pour les brûleurs arrière gauche, arrière droit, arrière central et avant central
- B. Valve en laiton pour les brûleurs avant gauche et avant droit
- C. Attache mono-usage
- D. Commutateur d'ignition



- A. Vis de réglage d'intensité faible pour la valve en aluminium au centre de la tige
- B. Vis de réglage d'intensité faible de la valve en laiton

6. En plaçant le brûleur sur ON (marche) (le brûleur devra être allumé manuellement à l'aide d'un briquet) et régler sur simmer LOW (mijotage faible), régler la flamme de mijotage vers le bas pour obtenir la bonne puissance en BTU. À l'aide d'un tournevis à lame plate de 1/8 po x 4 1/4 po (3,2 mm x 10,8 cm), tourner la vis de réglage d'intensité de mijotage faible dans le sens horaire jusqu'à ce que la hauteur de la flamme se situe au niveau du chapeau ou en dessous. Si la flamme devient instable et tremblote ou semble courir autour du brûleur, le réglage est trop faible et la vis doit être tournée dans le sens antihoraire jusqu'à ce que la flamme soit stable. Répéter cette étape pour tous les brûleurs de surface.

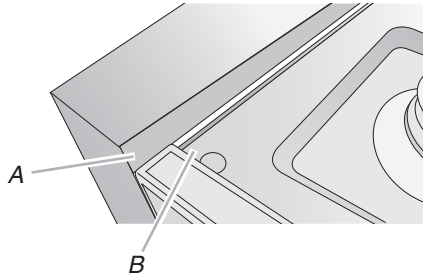
REMARQUE : Utiliser le bouton pour régler la valve du brûleur.

REMARQUE : Régler individuellement chaque brûleur.

7. Une fois les réglages terminés, replacer les commutateurs d'allumage sur les valves.

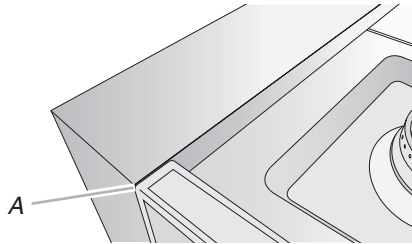
8. Soulever la console de commande et la remettre en place. Pour que les deux soient bien emboîtées, le rebord de la console de commande doit se rabattre par-dessus la bordure avant de la table de cuisson.

REMARQUE : Il pourrait être nécessaire de soulever les tiges de valves pour effectuer l'alignement avec les trous de la console.



A. Rebord de la console de commande
B. Bordure avant la table de cuisson

9. Vérifier que la console de commande est en affleurement avec le bord supérieur de la table de cuisson.



A. En affleurement avec la table de cuisson

10. Remettre en place les vis de chaque côté de la console de commande.
11. Replacer les encadrements à l'aide des 2 vis qui se fixent aux supports de valves, en s'assurant de bien placer les encadrements avant et arrière. Ils ne pourront être correctement fixés s'ils ne sont pas à la bonne place.
12. Placer les boutons de surface sur les tiges des valves.
13. Replacer les grilles des brûleurs.

Terminer l'installation

1. Consulter la section « Raccordement au gaz » pour le raccordement correct de la table de cuisson à la canalisation d'alimentation en gaz.
2. Pour l'allumage et l'utilisation corrects du brûleur, ainsi que le réglage des flammes sur le brûleur, voir la section « Système d'allumage électronique ».

IMPORTANT : Il peut être nécessaire de modifier le réglage des flammes à la position du débit thermique minimum « LO » pour chaque brûleur de la table de cuisson.

Il est très important de vérifier l'établissement de flammes correctes sur les brûleurs de la table de cuisson. Le petit cône interne doit comporter une flamme bleue très distincte de 1/4 po (6,4 mm) à 1/2 po (1,3 cm) de long. Le cône extérieur n'est pas aussi net que le cône intérieur. Les flammes produites par le gaz propane ont une pointe légèrement jaune.

3. Voir le point « Terminer l'installation » de la section « Instructions d'installation » du présent manuel pour achever cette procédure.

