

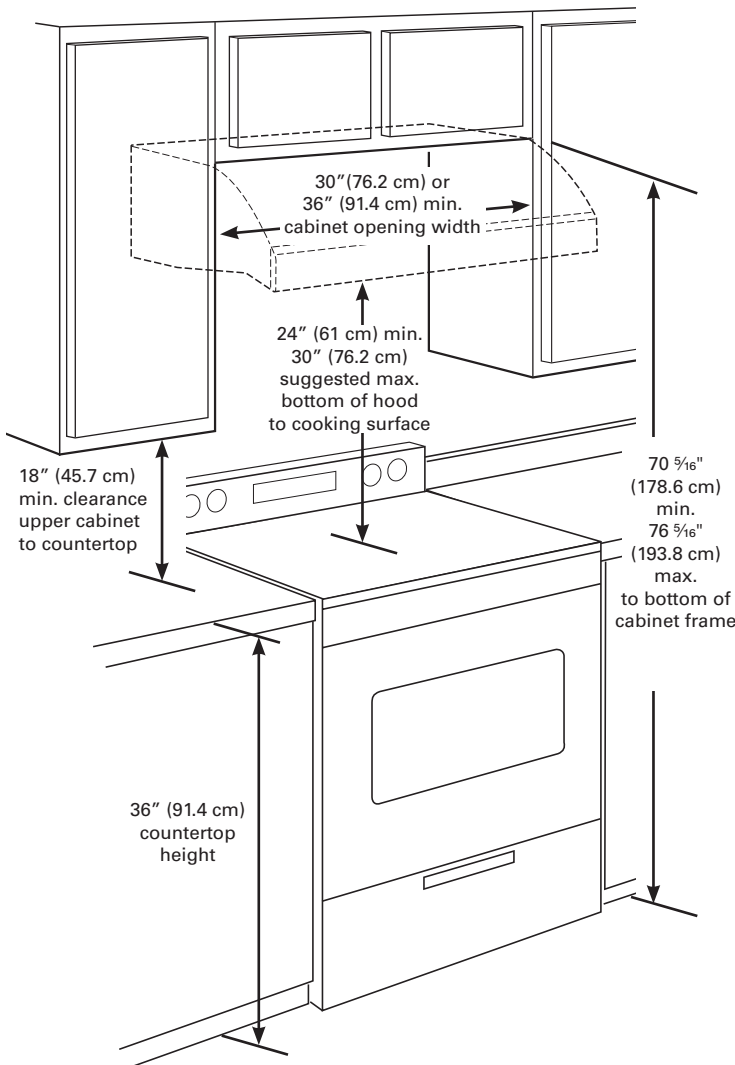
KitchenAid® 30" and 36" Range Hoods

PRODUCT MODEL NUMBERS

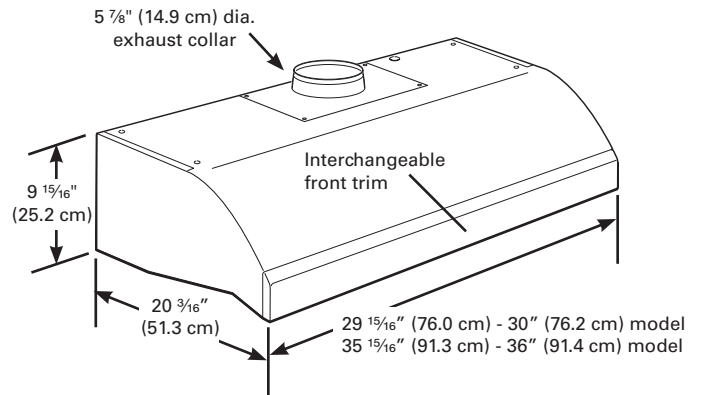
KHTU705R KHTU705S
 KHTU765R KHTU765S

Electrical: 120-V, 60-Hz, AC-only, 15 amp. electrical supply. Use copper wire only. A time-delay fuse or circuit breaker and separate circuit is recommended.

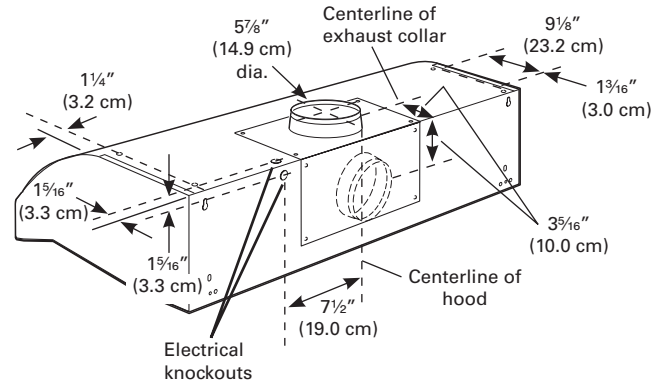
INSTALLATION CLEARANCES



OVERALL DIMENSIONS



VENT AND ELECTRICAL OPENINGS AND MOUNTING SCREW LOCATIONS



VENTING REQUIREMENTS

This range hood is factory set for vented installations. Vent system can terminate through either the roof or a wall. The vent system length should not exceed 35 ft (10.7 m)

It is recommended that you use round vent instead of rectangular vent, especially if elbows are required.

For best performance, use no more than three 90° elbows. If more than one elbow is used, make sure that there is a minimum of 24 inches (61 cm) of straight vent between any two elbows. Do not install two elbows together.

To calculate the length of system you need, add the equivalent feet (meters) from chart below for each vent piece that will be needed.

Determine the length of the vent system you need

To calculate the length of the vent system you need, add the equivalent feet (meters) from chart below for each vent piece that will be needed.

Recommended standard 6" (15.2 cm) fittings

1 ft. round= 1 ft. (0.3 m)	90° elbow= 5 ft. (1.5 m)	45° elbow= 2.5 ft. (0.8 m)