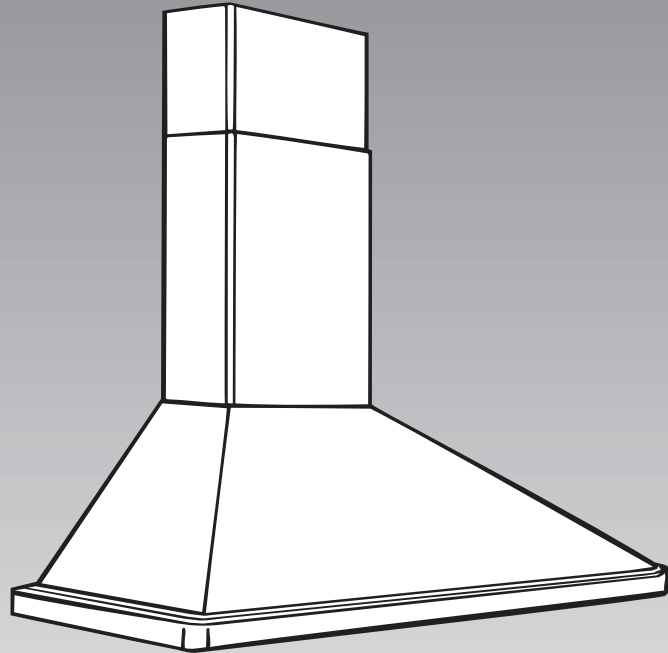


# Installation Instructions and Use and Care Guide



30" (76.2 cm)  
36" (91.4 cm)  
48" (121.9 cm)

## Wall-Mount Canopy Range Hood

**IMPORTANT:**  
Read and save  
these instructions.

**IMPORTANT:**

**Installer:** Leave Installation Instructions with the homeowner.

**Homeowner:** Keep Installation Instructions for future reference.

**Save** Installation Instructions for local electrical inspector's use.

### Quick Reference

#### Table of Contents:

Pages

<b>2</b>	Before you start
<b>3</b>	Product dimensions
<b>3</b>	Cabinet dimensions
<b>3</b>	Venting requirements
<b>5</b>	Electrical requirements
<b>5</b> - <b>7</b>	Installation steps
<b>8</b>	Use and Care Information
<b>9</b>	Wiring diagram
<b>9</b>	Accessories
<b>10</b>	Warranty
<b>11</b> - <b>12</b>	Requesting Assistance or Service

## Before you start...

### Your safety and the safety of others is very important.

We have provided many important safety messages in this manual and on your appliance. Always read and obey all safety messages.



This is the safety alert symbol. This symbol alerts you to potential hazards that can kill or hurt you and others. All safety messages will follow the safety alert symbol and either the word "DANGER" or "WARNING". These words mean:

## DANGER

You can be killed or seriously injured if you don't immediately follow instructions.

## WARNING

You can be killed or seriously injured if you don't follow instructions.

All safety messages will tell you what the potential hazard is, tell you how to reduce the chance of injury, and tell you what can happen if the instructions are not followed.

**WARNING — TO REDUCE THE RISK OF FIRE, ELECTRIC SHOCK, OR INJURY TO PERSONS, OBSERVE THE FOLLOWING:**

Installation work and electrical wiring must be done by qualified person(s) in accordance with all applicable Codes and Standards, including Fire Rated Construction. The combustion airflow needed for safe operation of fuel-burning equipment may be affected by this unit's operation. Follow the heating equipment manufacturer's guideline and safety standards such as those published by the National Fire Protection Association (NFPA), and the American Society of Heating, Refrigeration and Air Conditioning Engineers (ASHRAE), and the local code authorities.

When cutting or drilling into wall or ceiling, do not damage electrical wiring and other hidden utilities.

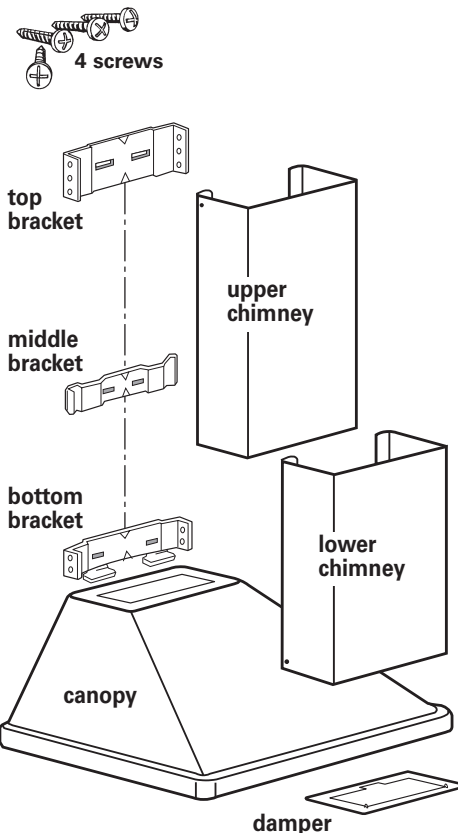
Ducted fans must always be vented to the outdoors.

**WARNING — To reduce the risk of fire, use only metal ductwork. This unit must be grounded.**

## Parts needed:

- 2 U.L.- or C.S.A.- listed, 1/2" (12.5 mm) conduit connectors
- power supply cable
- 1 wall or roof cap
- metal vent system
- 6 screws to attach brackets to wall

## Parts supplied:



### Important: Observe all governing codes and ordinances.

Proper installation is your responsibility:

- Have a qualified technician install this range hood.
- Comply with installation clearances specified on the model/serial rating plate.

The model/serial rating plate is located inside the range hood on the rear wall.

Range hood location should be away from strong draft areas, such as windows, doors and strong heating vents.

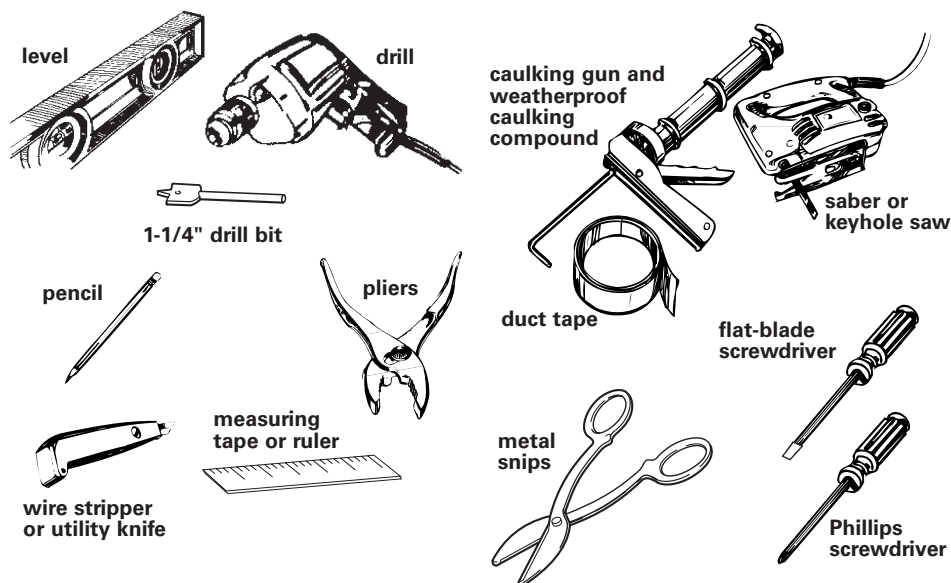
Cabinet opening dimensions that are shown must be used. Given dimensions provide minimum clearance. Consult your cooktop/range manufacturer installation instructions before making any cutouts.

Grounded electrical outlet is required. See "Electrical requirements."

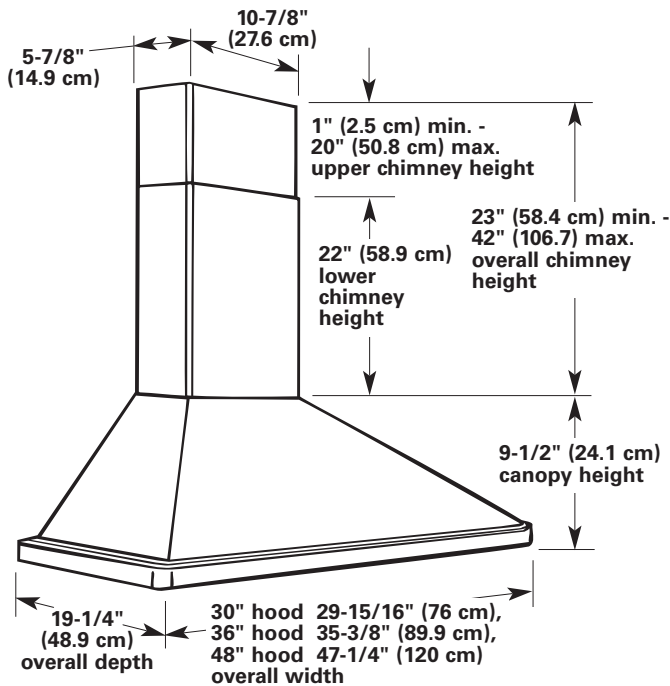
The canopy hood is factory set for venting through the roof or wall. For non-vented (recirculating) installations see "Non-Vented (Recirculating) Kits" on the back page.

All openings in ceiling and wall where range hood will be installed must be sealed.

## Tools needed:



## Product dimensions



## Venting requirements

Vent system must terminate to the outside.

Do not terminate the vent system in an attic or other enclosed area.

Do not use 4 inch (10.2 cm) laundry-type wall caps.

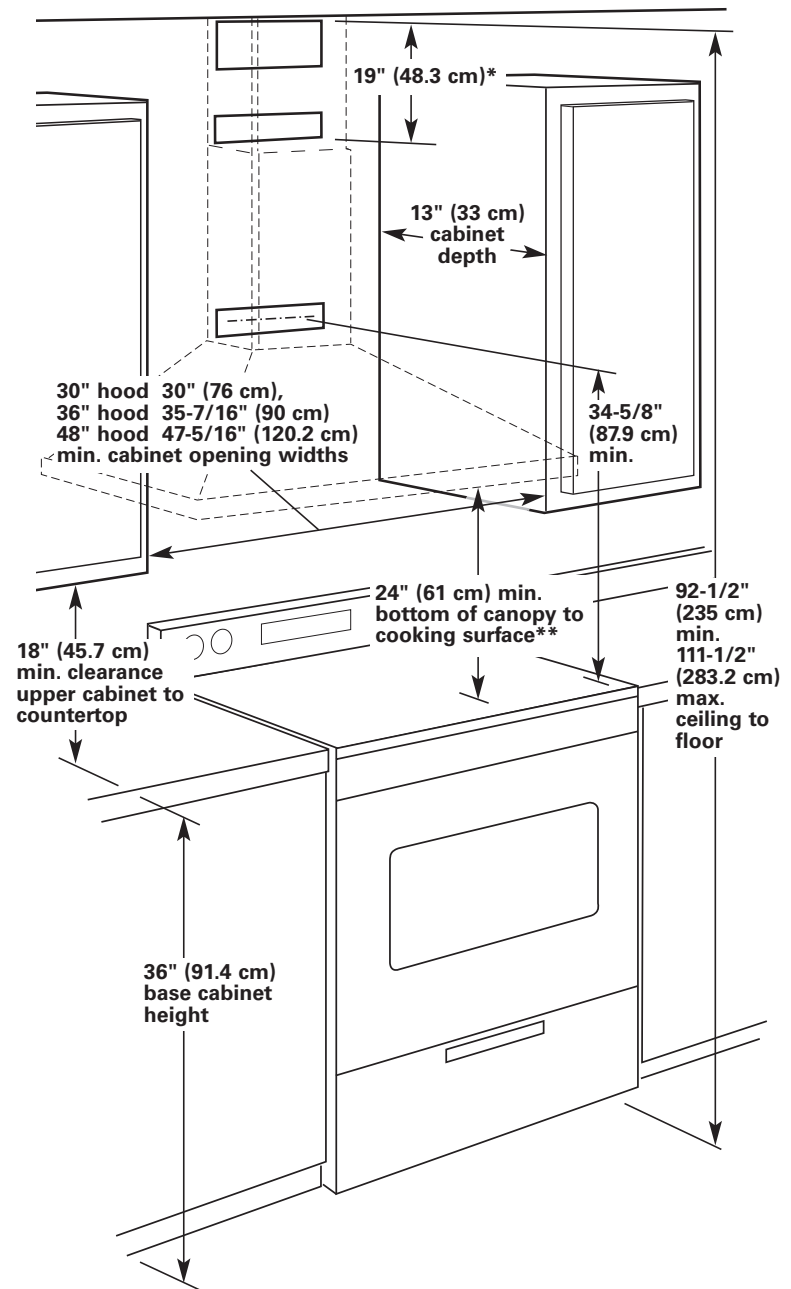
Use metal vent only. Rigid metal vent is recommended. Do not use plastic or metal foil vent.

## For the most efficient and quiet operation:

- The size of the vent should be uniform.
- Use no more than three 90° elbows.
- Make sure there is a minimum of 24" (61 cm) of straight vent between the elbows if more than one elbow is used.
- Do Not install two elbows together.
- The length of vent system and number of elbows should be kept to a minimum to provide efficient performance.
- The vent system must have a damper. If roof or wall cap has a damper, Do Not use damper supplied with the range hood.
- Use duct tape to seal all joints in the vent system.
- Use caulking to seal exterior wall or roof opening around the cap.

Determine which venting method is best for your application and follow "Preparation" under "Installation steps" on Page 5.

## Cabinet dimensions



\* If the canopy hood is installed higher than 24" (61 cm) above the cooking surface, the middle bracket must be installed at the bottom point of the upper chimney sleeve.

\*\* If the canopy hood is mounted higher than 24" (61 cm) above cooking surface, depending on ceiling height, upper chimney may need to be cut.

# Venting methods

This canopy range hood is factory set for venting through the roof or wall. For non-vented (recirculating) installations, see "Non-Vented (Recirculating) Kits" on back page.

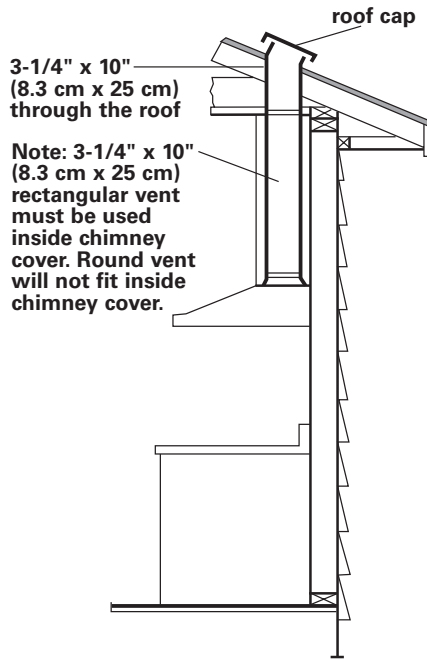
**Vent system needed for installation is not included. 3-1/4" x 10" (8.3 cm x 25 cm) rectangular, 7" (17.8 cm) round, 8" (20.3 cm) round or 9" (22.9 cm) round vent may be used. The hood exhaust opening is 3-1/4" x 10" (8.3 cm x 25 cm).**

Vent system can terminate either through the roof or wall. To vent through a wall, a 90° elbow is needed.

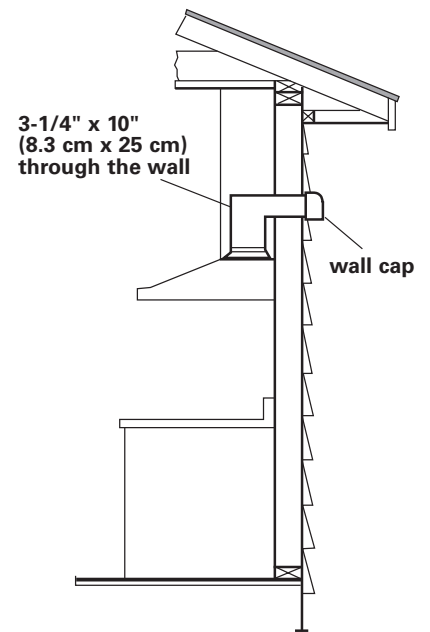
The vent system length should not exceed the lengths shown in the chart below.

Vent size	Maximum length
3-1/4" x 10" (8.3 cm x 25 cm)	35 ft. (10.7 m)
7" (17.8 cm) round	40 ft. (12.2 m)
8" (20.3 cm) round	50 ft. (15.2 m)
9" (22.9 cm) round	60 ft. (18.3 m)

## Vertical roof venting



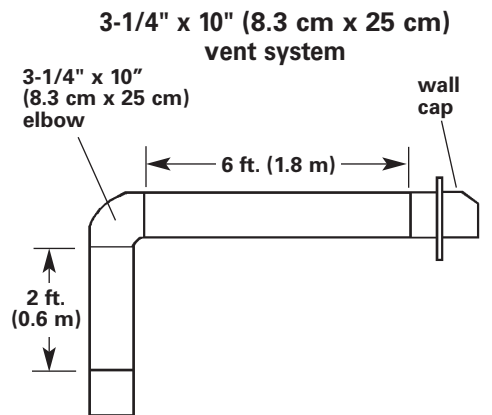
## Horizontal wall venting



# Calculating the vent system length

To calculate the length of the system you need, add the equivalent feet for each vent piece used in the system.

Vent Piece	3-1/4" x 10" (8.3 cm x 25 cm) Rectangular	7" (17.8 cm), 8" (20.3 cm) or 9" (22.9 cm) Round
45° elbow	7.0 feet (2.1 m)	2.5 feet (0.8 m)
90° elbow	5.0 feet (1.5 m)	5.0 feet (1.5 m)
90° flat elbow	12.0 feet (3.7 m)	
transition to round	5.0 feet (1.5 m)	
wall cap	0.0 feet (0.0 m)	



<b>Maximum length</b>	<b>= 35 ft. (10.7 m)</b>
1 – 90° elbow	= 5 ft. (1.5 m)
8 ft. (2.4 m) straight	= 8 ft. (2.4 m)
1 – wall cap	= 0 ft. (0 m)
<hr/>	
Length of 3-1/4" x 10" (8.3 cm x 25 cm) system	= 13 ft. (4 m)

**Note: Flexible vent is Not recommended.**

If it is used, each foot of flexible vent used is equivalent to two feet (61 cm) of straight metal vent when calculating the vent system length. (Example: A flexible elbow equals two standard elbows.)

# Electrical requirements

**Important: Observe all governing codes and ordinances.**

**It is the customer's responsibility:**

- To contact a qualified electrical installer.
- To assure that the electrical installation is adequate and in conformance with National Electrical Code, ANSI/NFPA 70 — latest edition\*, or CSA Standards C22.1-94, Canadian Electrical Code, Part 1 and C22.2 No.0-M91 - latest edition\*\* and all local codes and ordinances.

**If codes permit and a separate ground wire is used, it is recommended that a qualified electrician determine that the ground path is adequate.**

**A 120-volt, 60-Hz, AC-only, fused electrical system is required on a**

**separate 15-amp circuit, fused on both sides of the line.**

**Do not ground to a gas pipe.**

**Check with a qualified electrician if you are not sure range hood is properly grounded.**

**Do not have a fuse in the neutral or ground circuit.**

**IMPORTANT:  
Save Installation Instructions for electrical inspector's use.**

**The range hood must be connected with copper wire only.**

The range hood should be connected directly to the fused disconnect (or circuit breaker) box through flexible armored or nonmetallic sheathed copper cable. A U.L.- or C.S.A.-listed strain relief must be provided at each end of the power supply cable. Wire sizes (COPPER

WIRE ONLY) and connections must conform with the rating of the appliance as specified on the model/serial rating plate.

Wire sizes must conform to the requirements of the National Electrical Code ANSI/NFPA 70 — latest edition\*, or CSA Standards C22.1-94, Canadian Electrical Code Part 1 and C22.2 No. 0-M91 - latest edition\*\* and all local codes and ordinances.

A U.L.- or C.S.A.-listed conduit connector must be provided at each end of the power supply cable (at the range hood and at the junction box).

Copies of the standards listed may be obtained from:

\* National Fire Protection Association  
Batterymarch Park  
Quincy, Massachusetts 02269

\*\* CSA International  
8501 East Pleasant Valley Road  
Cleveland, Ohio 44131-5575

# Installation steps

## Preparation

**Do not cut a joist or stud unless absolutely necessary. If a joist or stud must be cut, then a supporting frame must be constructed.**

**Before making cutouts, make sure there is proper clearance within the ceiling or wall for exhaust vent.**

**1.** If possible, disconnect and move freestanding or slide-in range from cabinet opening to provide easier access to rear wall. Otherwise put a thick, protective covering over countertop, cooktop or range to protect from damage or dirt. Select a flat surface for assembling the unit. Cover that surface with a protective covering and place all canopy hood parts and hardware in it.

**2.** Determine and mark the centerline on the wall where the canopy hood will be installed.

**3.** Attach the lower bracket securely to the wall at the height shown. The dimension shown on page 3 is for mounting the canopy hood 24" (61 cm) above cooking surface. The lower bracket must be mounted with the

flanges on the bottom of the bracket so that the canopy hood will hang from them.

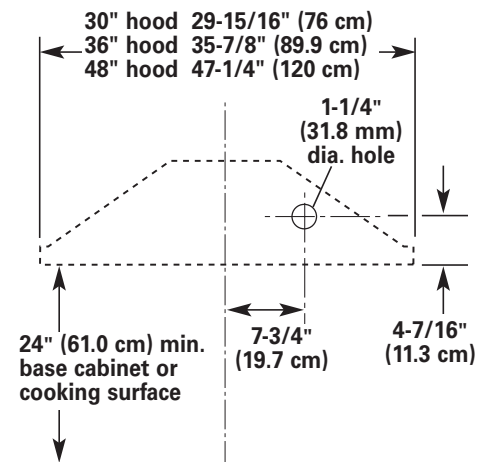
If a backsplash is to be used with this canopy hood, it **MUST** be installed before the canopy hood. Installation instructions for the backsplash are supplied with the backsplash kit. The height of the backsplash will determine the height of the bottom edge of the canopy hood.

**4.** Attach the middle and upper brackets securely to the wall. The upper bracket should be installed about 1/8" (3 mm) away from the ceiling. The middle bracket (bright metal) must be installed with ends touching the wall and the curves facing outward.

Note: If the canopy hood is installed more than 24" (61 cm), the middle bracket must be installed at the bottom point of the upper chimney sleeve.

It may be necessary to cut the upper chimney. Be careful not to damage or bend upper chimney when cutting.

**5.** Determine and make all necessary cuts in the wall for the vent system. Install the vent system before the canopy hood. See venting methods on page 4.

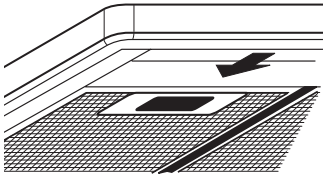


**6.** Determine the required height for the power supply cable and cut a 1-1/4" (3.2 cm) hole at this location. Run wire through hole according to the National Electrical Code or CSA Standards and local codes and ordinances. There must be enough power supply cable from the fused disconnect (or circuit breaker) box to make the connection in the hood's electrical box.

Use caulking to seal all openings.

**Do Not turn on power until installation is completed.**





**7.** Press on handle in front of filters to release filters from range hood canopy. Remove filters and set aside.

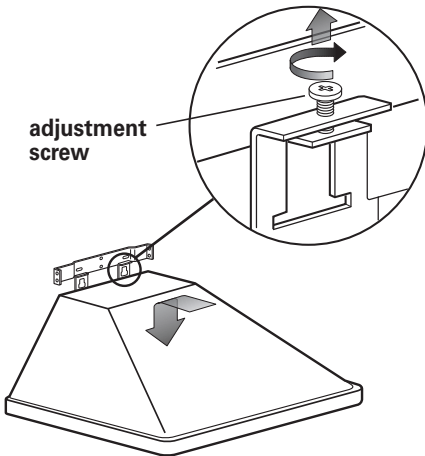
**8.** Remove the terminal box cover from the canopy hood. Remove the power supply cable knockout using a flat-blade screwdriver. Attach conduit connector into power supply cable opening so that conduit connector clamping screws are inside of canopy hood.

## ⚠ WARNING

### Excessive Weight Hazard

Use two or more people to move and install range hood.

Failure to do so can result in back or other injury.



**9.** Align the "T" area of the canopy hood slots with the lower bracket flanges. Push hood toward wall. Gently lower the hood making sure the lower bracket flanges are fully inserted into the slots. Check that the hood is secure on the lower bracket. Feed enough power supply cable through conduit connector to make electrical connections.

**10.** Level the hood and adjust hood height by turning the adjusting screws.

## Electrical connection

### ⚠ WARNING



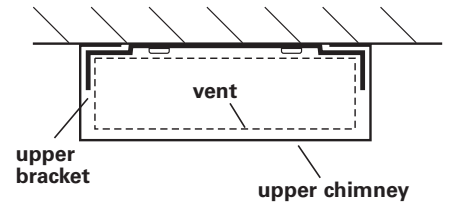
**Electrical Shock Hazard**  
Disconnect power before making electrical connections.  
Connect ground wire to green ground screw in terminal box.  
Failure to do so can result in death or electrical shock.

**11.** Make electrical connection:

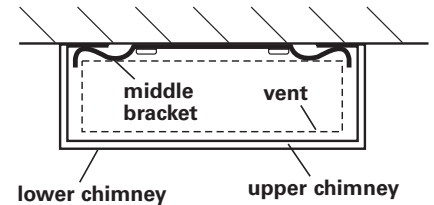
- ☑ Connect the power supply cable to hood terminal box through the U.L.- or C.S.A.-listed conduit connector.
- ☑ Connect the white wire of the power supply cable with the white lead in the hood using a twist-on connector; connect the black wire of the power supply cable with the black lead in the hood using a twist-on connector.
- ☑ Connect the power supply green (green and yellow) ground wire under the green, ground screw.
- ☑ Tighten conduit connector screws.
- ☑ Replace the terminal box cover.

## Install chimney sections

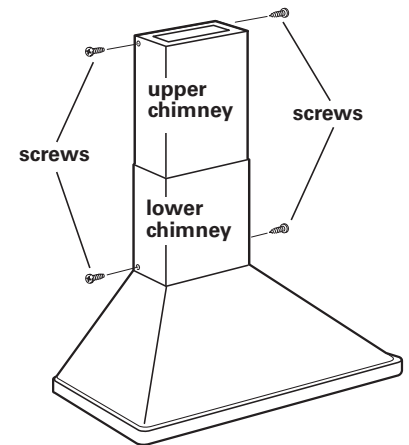
**12.** If roof or wall cap does not have a damper, attach damper to exhaust opening on top of the canopy using two Phillips-head screws. Connect vent system to damper or hood and seal all connections with duct tape.



**13.** Carefully fit the upper chimney rear flanges behind the upper and middle bracket.



**14.** Carefully fit the lower chimney rear flanges behind the upper chimney flanges on the middle bracket and behind the lower bracket.

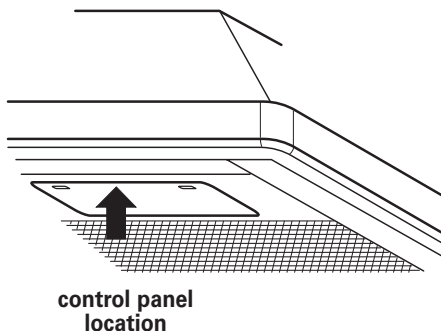


**15.** When upper and lower chimney sections are in final position, attach the top of the upper chimney and the bottom of the lower chimney to the top and bottom brackets.

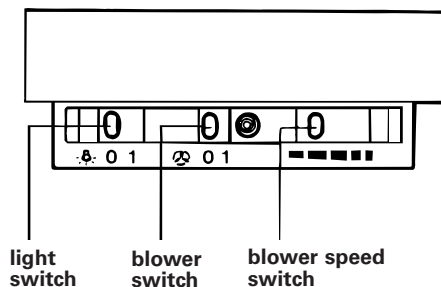
## Check operation

**16.** Place filters in canopy openings so rear edge is over flange. Press filters up into position.

**17.** Turn power on.



**18.** The canopy hood controls are located in a grey panel on underside of the canopy. To open the panel, press on the front edge of panel and release. The control panel will drop down.



**19.** Check the operation of the range hood:

- Move light switch to "1" position. The light should turn on.
- Move blower switch to "1" position. The blower should operate.
- Move the blower speed switch to the far left; blower speed should be LOW. Move blower speed to right; blower speed should gradually increase until you reach HIGH speed at far right.
- Move blower and light switches to "0" position to turn blower and light off.

If range hood does not operate:

- Check that the circuit breaker is not tripped or the house fuse blown.
- Disconnect power supply. Check that wiring is correct.

To get the most efficient use from your new range hood, read the "Use and Care Information" section. Keep your KitchenAid Installation Instructions and Use and Care Guide close to range hood for easy reference.

# Use and Care Information

**WARNING – TO REDUCE THE RISK OF FIRE, ELECTRIC SHOCK, OR INJURY TO PERSONS, OBSERVE THE FOLLOWING:**

Use this unit only in the manner intended by the manufacturer. If you have questions, contact the manufacturer. Before servicing or cleaning unit, switch power off at service panel and lock switch power off at service panel and lock service panel to prevent power from being switched on accidentally. When the service disconnecting means cannot be locked, securely fasten a prominent warning device such as a tag to the service panel.

**CAUTION:** For general ventilating use only. Do not use to exhaust hazardous or explosive materials and vapors.

**WARNING – TO REDUCE THE RISK OF A RANGE TOP GREASE FIRE:**

Never leave surface units unattended at high settings. Boilovers cause smoking and greasy spillovers that may ignite. Heat oils slowly on low or medium settings.

Always turn hood ON when cooking at high heat or when cooking flaming foods.

Clean ventilating fans frequently. Grease should not be allowed to accumulate on fan or filter.

Use proper pan size. Always use cookware appropriate for the size of the surface element.

**WARNING – TO REDUCE THE RISK OF INJURY TO PERSONS IN THE EVENT OF A RANGE TOP GREASE FIRE, OBSERVE THE FOLLOWING:**

**SMOTHER FLAMES** with a close-fitting lid, cookie sheet, or metal tray, then turn off the burner. **BE CAREFUL TO PREVENT BURNS.** If the flames do not go out immediately, **EVACUATE AND CALL THE FIRE DEPARTMENT.**

**NEVER PICK UP A FLAMING PAN** – You may be burned.

**DO NOT USE WATER**, including wet dishcloths or towels – a violent steam explosion will result. Use an extinguisher **ONLY** if:

You know you have a Class ABC extinguisher, and you already know how to operate it.

The fire is small and contained in the area where it is started.

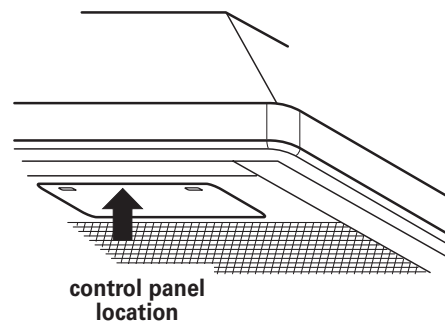
The fire department is being called.

You can fight the fire with your back to an exit.

This fan suitable for use with solid-state speed controls.

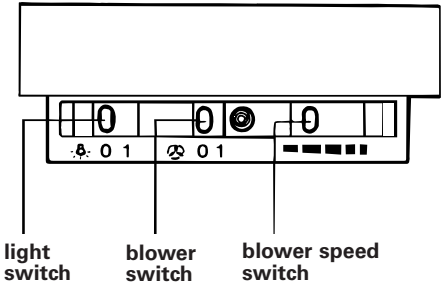
## Operation

The canopy hood is designed to remove smoke, cooking vapors and odors from the cooktop area. For best results, start the hood before cooking and allow it to operate several minutes after the cooking is complete to clear all smoke and odors from the kitchen.



### Opening the canopy hood control panel:

The hood controls are located in a grey panel on the underside of the canopy. To open the panel, press on the front edge of panel and release. The control panel will drop down.



### Operating the light:

**ON:** Move the light switch to the "1" position.

**OFF:** Move the light switch to the "0" position.

### Operating the blower:

**ON:** Move the blower switch to the "1" position.

**OFF:** Move the blower switch to the "0" position.

### Adjusting the blower speed:

The blower has variable speed control.

Move the switch to the far left for LOW speed and to the far right for HIGH speed.

### Closing the range hood control panel:

Push up on the front edge of the control panel. The control panel will slide up into the canopy.

## Cleaning

### Filters:

The filters should be washed frequently. Place metal filters in dishwasher or hot detergent solution to clean.

### Exterior surfaces:

Clean the range hood with a mild detergent and soft cloth. Do Not use abrasive cleanser or steel wool pads.



# Maintenance

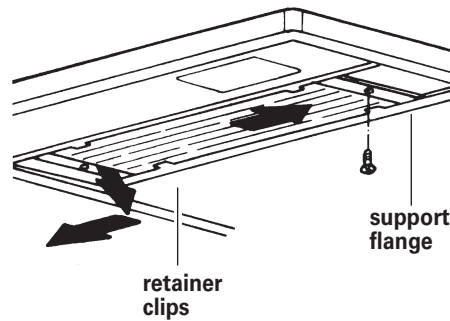
## Replacing the light bulb:

This range hood uses fluorescent lamp type F33-15W-T8 and starter type 52.

Remove the retainer clips from both ends of the light cover. Carefully slide the cover all the way to the right. Then lower the left end of the glass below the support flange and remove the glass by sliding it back from the left.

Install a new fluorescent light bulb.

Position the right end of the light cover over the flange and slide the cover all the way to the right. Position the left end of the light cover over the flange and slide the cover back to left. Reinstall the retainer clips.



# For assistance:

If you have questions about operating, cleaning or maintaining your range hood:

Call the KitchenAid Consumer Assistance Center, 1-(800) 422-1230.

# If you need service:

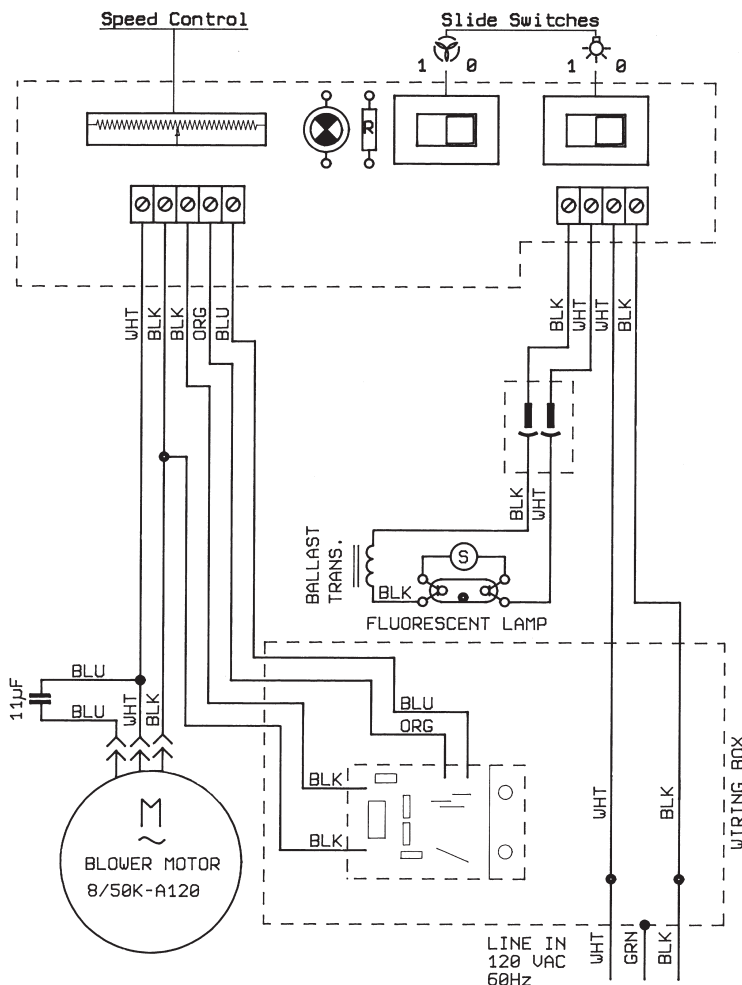
Maintain the quality built into your appliance by calling a KitchenAid-authorized service company. To obtain the name and number of an authorized service company:

Contact the dealer from whom you purchased the appliance;

Look in the Yellow Pages of your telephone directory under "Appliances – Household – Major – Service and Repair;"

Call the KitchenAid Consumer Assistance Center, 1-(800) 422-1230.

# Wiring diagram



# Accessories

available from your dealer

Note: Instructions are included with each kit.

**Backsplash\*:** Must be installed before hood is installed. Stainless steel only.

- Part No. 8171295 30" (76.2 cm)
- Part No. 4378615 36" (91.4 cm)
- Part No. 8171296 48" (121.9 cm)

**Utensil Bar:** Stainless steel only

- Part No. 4378619 (side) 15" (38 cm) long
- Part No. 8171299 (back) 30" (76 cm) long
- Part No. 4378618 (back) 35-3/8" (90 cm) long

**Charcoal Filters:**

- Part No. 4378623 (2 per pkg.)

**Non-Vented (Recirculating) Kits\*:**

- Part No. 4378621 (stainless steel)
- Part No. 4378622 (white)
- Part No. 8171290 (biscuit)

**Wire Rack:** Chrome only

- Part No. 8171297 30" (76.2 cm)
- Part No. 4378616 36" (91.4 cm)
- Part No. 8171298 48" (121.9 cm)

**Rack Hanger Kit:** Chrome only

- Part No. 4378617

**Chimney Extensions\*:**

- Part No. 8171313 (stainless steel)
- Part No. 8171315 (biscuit)
- Part No. 8171314 (white)

\*These instructions must be read before starting the canopy hood installation.

## KITCHENAID® VENTILATION WARRANTY

### ONE YEAR LIMITED WARRANTY

For one year from the date of purchase, when this major appliance is operated and maintained according to instructions attached to or furnished with the product, KitchenAid or KitchenAid Canada (hereafter "KitchenAid") will pay for factory specified parts and repair labor to correct defects in materials or workmanship. Service must be provided by a KitchenAid designated service company.

### ITEMS KITCHENAID WILL NOT PAY FOR

1. Service calls to correct the installation of your major appliance, to instruct you how to use your major appliance, to replace or repair house fuses or to correct house wiring or plumbing.
2. Service calls to repair or replace appliance light bulbs, air filters or water filters. Those consumable parts are excluded from warranty coverage.
3. Repairs when your major appliance is used for other than normal, single-family household use.
4. Damage resulting from accident, alteration, misuse, abuse, fire, flood, acts of God, improper installation, installation not in accordance with electrical or plumbing codes, or use of products not approved by KitchenAid.
5. Replacement parts or repair labor costs for units operated outside the United States or Canada.
6. Pickup and delivery. This major appliance is designed to be repaired in the home.
7. Repairs to parts or systems resulting from unauthorized modifications made to the appliance.
8. Expenses for travel and transportation for product service in remote locations.
9. The removal and reinstallation of your appliance if it is installed in an inaccessible location or is not installed in accordance with published installation instructions.

### DISCLAIMER OF IMPLIED WARRANTIES; LIMITATION OF REMEDIES

CUSTOMER'S SOLE AND EXCLUSIVE REMEDY UNDER THIS LIMITED WARRANTY SHALL BE PRODUCT REPAIR AS PROVIDED HEREIN. IMPLIED WARRANTIES, INCLUDING WARRANTIES OF MERCHANTABILITY OR FITNESS FOR A PARTICULAR PURPOSE, ARE LIMITED TO ONE YEAR OR THE SHORTEST PERIOD ALLOWED BY LAW. KITCHENAID SHALL NOT BE LIABLE FOR INCIDENTAL OR CONSEQUENTIAL DAMAGES. SOME STATES AND PROVINCES DO NOT ALLOW THE EXCLUSION OR LIMITATION OF INCIDENTAL OR CONSEQUENTIAL DAMAGES, OR LIMITATIONS ON THE DURATION OF IMPLIED WARRANTIES OF MERCHANTABILITY OR FITNESS, SO THESE EXCLUSIONS OR LIMITATIONS MAY NOT APPLY TO YOU. THIS WARRANTY GIVES YOU SPECIFIC LEGAL RIGHTS AND YOU MAY ALSO HAVE OTHER RIGHTS, WHICH VARY FROM STATE TO STATE OR PROVINCE TO PROVINCE.

Outside the 50 United States and Canada, this warranty does not apply. Contact your authorized KitchenAid dealer to determine if another warranty applies.

If you need service, first see the "Troubleshooting" section of the Use & Care Guide. After checking "Troubleshooting," additional help can be found by checking the "Assistance or Service" section or by calling KitchenAid. In the U.S.A., call **1-800-422-1230**. In Canada, call **1-800-807-6777**.

10/05

# Requesting Assistance or Service

To avoid unnecessary service calls, please check the "Check Operation" section. It may save you the cost of a service call. If you still need help, follow the instructions below.

## If you need assistance or service in U.S.A.

**Call the KitchenAid Customer Interaction Center toll-free at 1-800-422-1230.**

**Our consultants are available to assist you.**

When calling: Please know the purchase date, and the complete model and serial number of your appliance. This information will help us better respond to your request.



**Our consultants provide assistance with:**

- Features and specifications on our full line of appliances
- Installation information

- Use and maintenance procedures
- Accessory and repair parts sales
- Specialized customer assistance (Spanish speaking, hearing impaired, limited vision, etc.)
- Referrals to local dealers, service companies, and repair parts distributors

KitchenAid designated service technicians are trained to fulfill the product warranty and provide after-warranty service, anywhere in the United States.

To locate the designated KitchenAid service company in your area, you can also look in your telephone directory Yellow Pages.

## If you need replacement parts

If you need to order replacement parts, we recommend that you only use factory-authorized parts. These parts will fit right and work right, because they are made to the same exacting specifications used to build every new KitchenAid\* appliance.

To locate factory-authorized parts in your area, call our Customer Interaction Center telephone number, your nearest authorized service center, or KitchenAid Factory Service at 1-800-442-1111.

## For further assistance

If you need further assistance, you can write to KitchenAid with any questions or concerns at:

KitchenAid Brand Home Appliances  
Customer Interaction Center  
c/o Correspondence Dept.  
2000 North M-63  
Benton Harbor, MI 49022-2692

Please include a daytime phone number in your correspondence.

# Requesting Assistance or Service

Before calling for assistance or service, please check the "Check Operation" section. It may save you the cost of a service call. If you still need help, follow the instructions below.

## If you need assistance or service in Canada

### 1. If the problem is not due to one of the items listed in "Check Operation"†...



Contact the dealer from whom you purchased your appliance, or call the KitchenAid Canada Customer Interaction Center toll-free, 8:30 a.m. – 6 p.m. (EST), at 1-800-422-1230.

### 2. If you need service†...

Contact your nearest KitchenAid Canada Appliance Service branch or authorized servicing outlet to service your appliance. (See list below.) Make sure the service company you contact is authorized to service your appliance during the warranty period.

†When asking for assistance or service, please provide a detailed description of the problem, your appliance's complete model and serial numbers, and the purchase date. This information will help us respond properly to your request.

### KitchenAid Canada Appliance Service – Consumer Services

#### Direct service branches:

<b>BRITISH COLUMBIA</b>		1-800-665-6788
<b>ALBERTA</b>		1-800-661-6291
<b>ONTARIO</b> (except 807 area code)	Ottawa area	1-800-267-3456
	Outside the Ottawa area	1-800-807-6777
<b>MANITOBA, SASKATCHEWAN</b> and 807 area code in ONTARIO		1-800-665-1683
<b>QUEBEC</b>	Montreal (except South Shore)	1-800-361-3032
	South Shore Montreal	1-800-361-0950
	Quebec City	1-800-463-1523
	Sherbrooke	1-800-567-6966
<b>ATLANTIC PROVINCES</b>		1-800-565-1598

## For further assistance

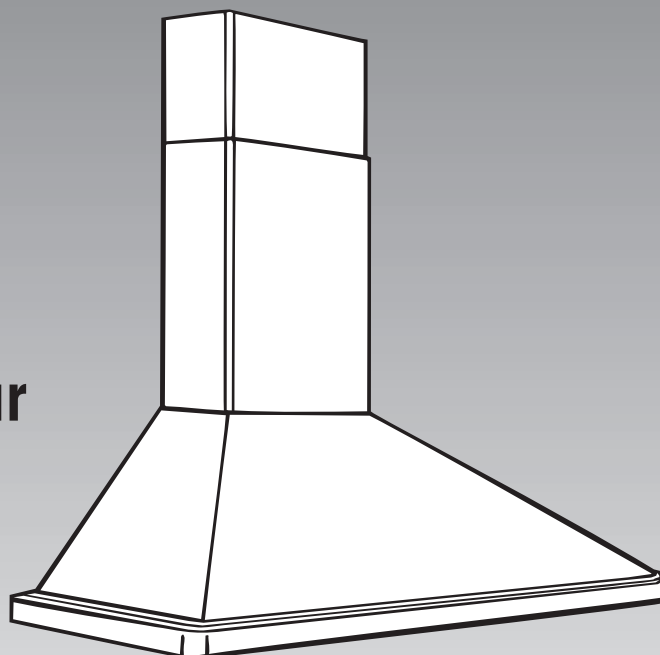
If you need further assistance, you can write to KitchenAid Canada with any questions or concerns at:

Consumer Relations Department  
KitchenAid Canada  
1901 Minnesota Court  
Mississauga, Ontario L5N 3A7

Please include a daytime phone number in your correspondence.

# Instructions d'installation et Guide d'utilisation et d'entretien

**Hotte d'aspiration pour  
cuisinière -  
montage mural**  
**76,2 cm (30 po)**  
**91,4 cm (36 po)**  
**121,9 cm (48 po)**



**IMPORTANT :**  
**Lire et conserver ces  
instructions.**

**IMPORTANT :**

**Installateur :** Remettre les instructions d'installation au propriétaire de l'appareil.

**Propriétaire :** Conserver les instructions d'installation pour consultation ultérieure.

**Conserver** les instructions d'installation à l'intention de l'inspecteur local des installations électriques.

## Référence rapide

### Table des matières :

#### Pages

<b>2</b>	Avant de commencer...
<b>3</b>	Dimensions du produit
<b>3</b>	Dimensions des placards
<b>3</b>	Circuit de décharge de l'air
<b>5</b>	Alimentation électrique
<b>5</b> - <b>7</b>	Les étapes de l'installation
<b>8</b>	Renseignements d'utilisation et entretien
<b>9</b>	Schéma de câblage
<b>9</b>	Accessoires
<b>10</b>	Garantie
<b>11</b> - <b>12</b>	Demande d'assistance ou de service



## Avant de commencer...

### Votre sécurité et celle des autres est très importante.

Nous donnons de nombreux messages de sécurité importants dans ce manuel, et sur votre appareil ménager. Assurez-vous de toujours lire tous les messages de sécurité et de vous y conformer.

Voici le symbole d'alerte de sécurité.



Ce symbole d'alerte de sécurité vous signale les dangers potentiels de décès et de blessures graves à vous et à d'autres.

Tous les messages de sécurité suivront le symbole d'alerte de sécurité et le mot «DANGER» ou «AVERTISSEMENT». Ces mots signifient :

## ⚠ DANGER

Risque possible de décès ou de blessure grave si vous ne suivez pas immédiatement les instructions.

## ⚠ AVERTISSEMENT

Risque possible de décès ou de blessure grave si vous ne suivez pas les instructions.

Tous les messages de sécurité vous diront quel est le danger potentiel et vous disent comment réduire le risque de blessure et ce qui peut se produire en cas de non-respect des instructions.

### Important : Respecter les prescriptions de tous les codes et règlements en vigueur.

C'est à vous qu'incombe la responsabilité d'une installation correcte.

- Demander à un technicien qualifié d'installer cette hotte.
- Respecter lors de l'installation les dégagements de séparation spécifiés sur la plaque signalétique de l'appareil.

La plaque signalétique (avec numéro de modèle et numéro de série) est située à l'intérieur de la hotte, sur la paroi arrière.

La hotte d'aspiration devrait toujours être installée loin des sources de courants d'air comme fenêtres, portes et bouches de chauffage.

On doit respecter les dimensions indiquées pour l'ouverture dans le placard. Les dimensions indiquées tiennent compte des dégagements de séparation nécessaires. Avant d'effectuer un découpage, consulter les instructions d'installation fournies par le fabricant de la cuisinière ou table de cuisson.

Une prise de courant électrique reliée à la terre est nécessaire. Voir « Alimentation électrique ».

La hotte d'aspiration est configurée à l'usine pour la décharge à travers le toit ou un mur.

Pour une installation sans évacuation de l'air (recyclage), voir en dernière page la section « Hottes à recyclage (sans décharge à l'extérieur) ».

Assurer l'étanchéité au niveau de chaque ouverture découpée dans le plafond ou le mur pour l'installation de la hotte.

AVERTISSEMENT - POUR RÉDUIRE LE RISQUE D'INCENDIE, CHOC ÉLECTRIQUE OU BLESSURE, RESPECTER LES INSTRUCTIONS SUIVANTES :

Tout travail d'installation ou câblage électrique doit être réalisé par une personne qualifiée, dans le respect des prescriptions de tous les codes et normes applicables, y compris les codes du bâtiment et de protection contre les incendies. Le fonctionnement de cet appareil peut modifier la circulation de l'air et affecter le fonctionnement d'un appareil utilisant un combustible. Respecter les directives du fabricant de l'équipement de chauffage et les prescriptions des normes de sécurité - comme celles publiées par la National Fire Protection Association (NFPA) et l'American Society of Heating, Refrigeration and Air Conditioning Engineers (ASHRAE) - et les prescriptions des autorités réglementaires locales.

Lors d'opérations de découpage et de perçage dans un mur ou plafond, veiller à ne pas endommager les câblages électriques ou canalisations qui peuvent s'y trouver.

Le conduit d'évacuation associé à un ventilateur doit toujours décharger l'air à l'extérieur.

AVERTISSEMENT - Pour réduire le risque d'incendie, utiliser uniquement des conduits métalliques.

Cet appareil doit être relié à la terre.

## Pièces nécessaires :

2 connecteurs de conduit 12,5 mm (1/2 po) - homologation U.L. ou ACNOR

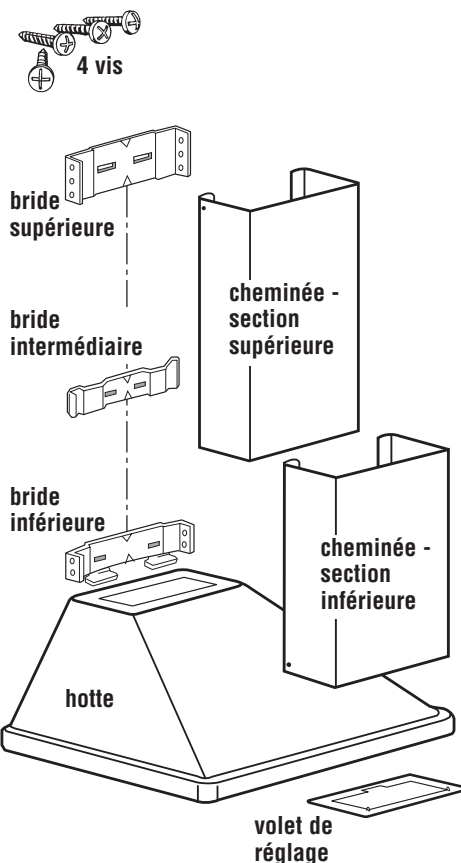
câble d'alimentation

1 bouche de décharge pour toit ou mur

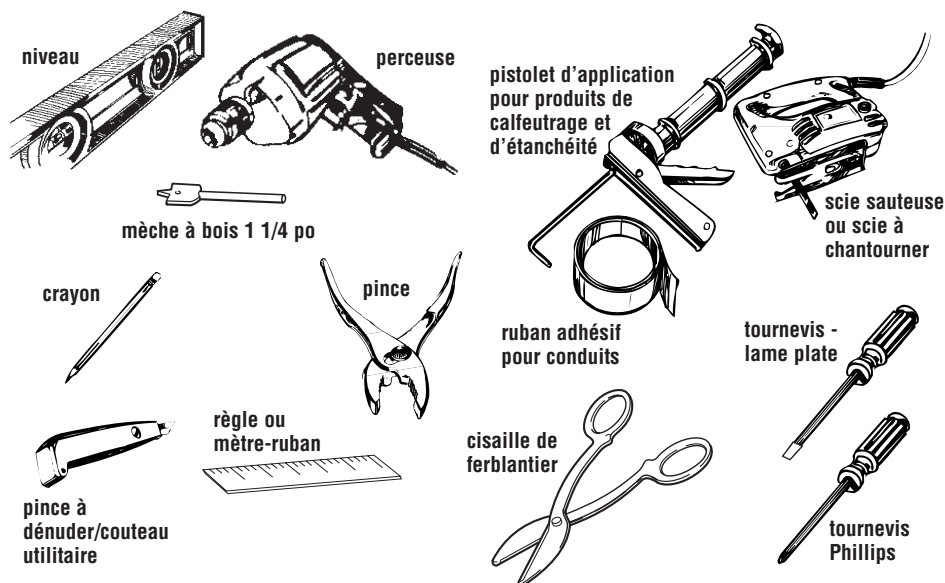
conduit d'évacuation métallique

6 vis pour fixation des brides sur le mur

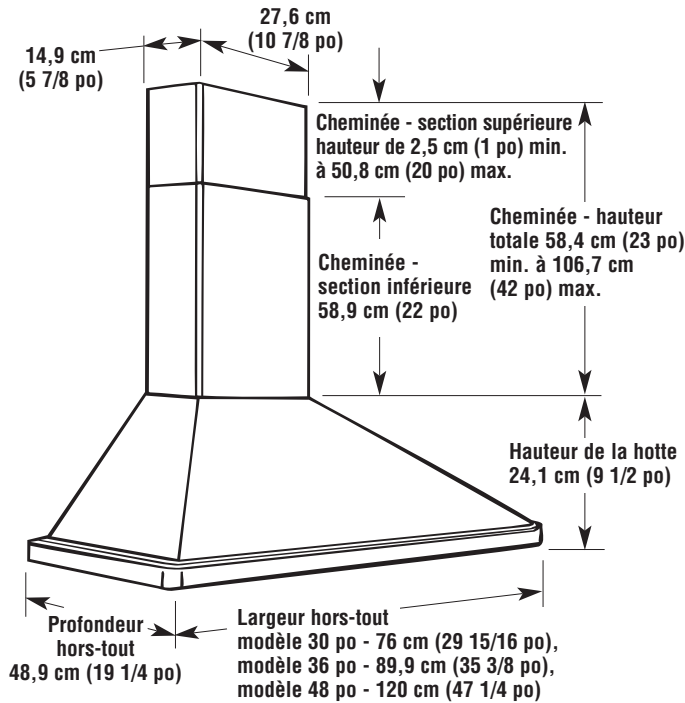
## Pièces fournies :



## Outillage nécessaire :



## Dimensions du produit



## Circuit de décharge de l'air

Le système doit décharger l'air à l'extérieur.

Ne pas terminer le conduit d'évacuation au-dessus d'un plafond ou dans un autre espace fermé.

Ne pas utiliser une bouche de décharge murale de 10,2 cm (4 po) normalement utilisée pour un équipement de buanderie.

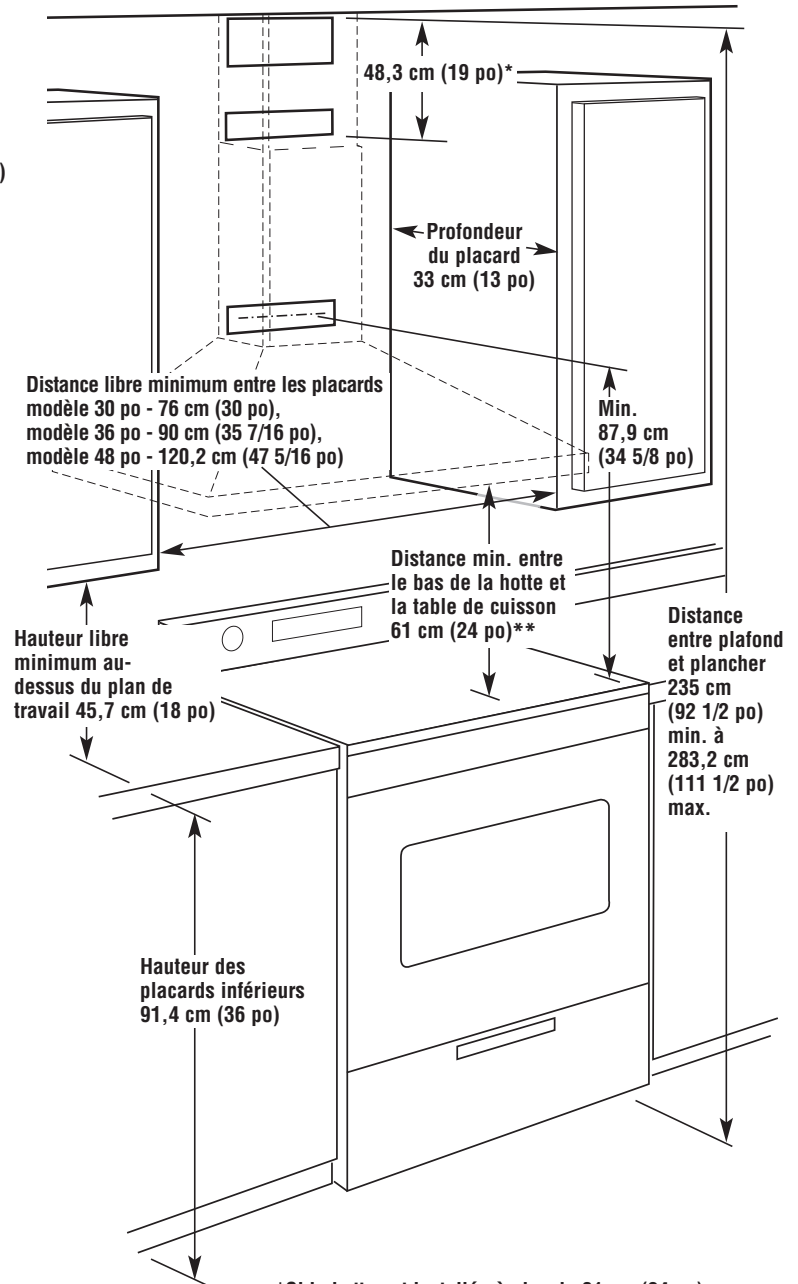
**Utiliser uniquement du conduit métallique. On recommande l'emploi de conduit métallique rigide. Ne pas utiliser des conduits de plastique ou de métal flexible.**

## Pour un fonctionnement efficace et silencieux :

- La taille du conduit d'évacuation doit être uniforme.
- Ne pas utiliser plus de trois coudes à 90°.
- S'il est nécessaire d'installer plusieurs coudes, ceux-ci devront être séparés par une section rectiligne d'au moins 61 cm (24 po).
- Ne pas raccorder deux coudes ensemble.
- Pour maximiser l'efficacité, minimiser la longueur effective totale du système de décharge et le nombre de coudes.
- Le système de décharge doit comporter un volet de réglage. Si la bouche de décharge (sur le toit ou à travers le mur) comporte un volet de réglage, ne pas utiliser le volet de réglage fourni avec la hotte.
- Au niveau de chaque jointure du système de décharge, assurer l'étanchéité avec du ruban adhésif pour conduit.
- Autour de la bouche de décharge à l'extérieur, assurer l'étanchéité avec un produit de calfeutrage.

Déterminer la méthode d'évacuation de l'air la plus appropriée pour l'application, et exécuter la préparation décrite dans les étapes de l'installation à la page 5.

## Dimensions des placards



\*Si la hotte est installée à plus de 61 cm (24 po) au-dessus de la table de cuisson, on doit installer la bride intermédiaire au point inférieur de la section de cheminée supérieure.

\*\*Si la hotte est installée à plus de 61 cm (24 po) au-dessus de la table de cuisson, selon la hauteur libre sous plafond, il peut être nécessaire de couper la section de cheminée supérieure.

# Configurations de circuit de décharge

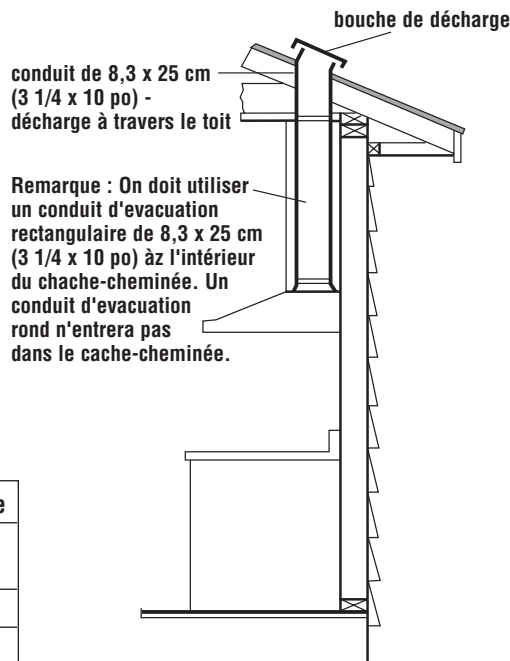
La hotte d'aspiration est configurée à l'usine pour la décharge à travers le toit ou un mur. Pour une installation sans évacuation de l'air (recyclage), voir en dernière page la section « Hottes à recyclage (sans décharge à l'extérieur) ».

**Le conduit d'évacuation nécessaire n'est pas inclus. On peut utiliser un conduit d'évacuation rectangulaire 8,3 cm x 25 cm (3 1/4 po x 10 po), ou conduit circulaire de diamètre 17,8 cm (7 po), 20,3 cm (8 po) ou 22,9 cm (9 po). La hotte est dotée d'un orifice de décharge de 8,3 cm x 25 cm (3 1/4 po x 10 po).**

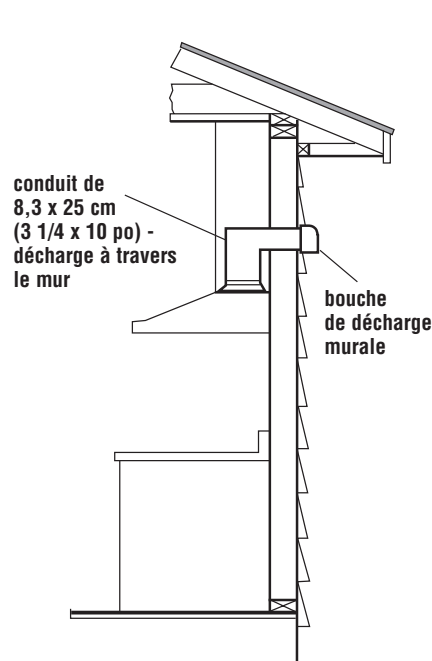
Le circuit de décharge peut décharger l'air à l'extérieur à travers le mur ou à travers le toit. Pour la décharge à travers le mur, on doit utiliser un coude à 90°.

La longueur effective du circuit ne doit pas être supérieure à la longueur indiquée dans le tableau ci-dessous.

## Décharge à travers le toit



## Décharge horizontale à travers le mur



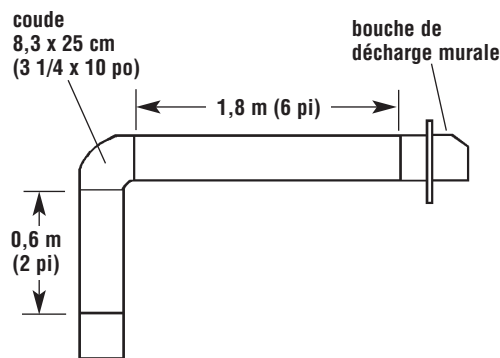
Taille des conduits	Longueur maximale
<b>8,3 x 25 cm (3 1/4 x 10 po)</b>	<b>10,7 m (35 pi)</b>
Rond, dia. 17,8 cm (7 po)	12,2 m (40 pi)
Rond, dia. 20,3 cm (8 po)	15,2 m (50 pi)
Rond, dia. 22,9 cm (9 po)	18,3 m (60 pi)

# Calcul de la longueur effective du système de décharge

Pour calculer la longueur effective du système de décharge, on doit tenir compte de la longueur équivalente de chaque composant du système.

Composant	Conduit rectangulaire 8,3 x 25 cm (3 1/4 x 10 po)	Conduit rond, dia. 17,8 cm (7 po), 20,3 cm (8 po) ou 22,9 cm (9 po)
coude à 45°	2,1 m (7 pi)	0,8 m (2,5 pi)
coude à 90°	1,5 m (5 pi)	1,5 m (5 pi)
coude plat à 90°	3,7 m (12 pi)	
raccord de transition rectangle-rond	1,5 m (5 pi)	
bouche de décharge murale	0 m (0 pi)	

## Système de décharge 8,3 x 25 cm (3 1/4 x 10 po)



**Longueur maximale = 10,7 m (35 pi)**  
 1 - coude à 90° = 1,5 m (5 pi)  
 Section droite 2,4 m (8 pi) = 2,4 m (8 pi)  
 1 - bouche de décharge murale = 0 m (0 pi)

---

Longueur effective de conduit de 8,3 x 25 cm (3 1/4 x 10 po) = 4 m (13 pi)

**Note : On déconseille l'emploi de conduit d'évacuation flexible.**

En cas d'utilisation de conduit d'évacuation flexible, on doit tenir compte du fait que la longueur effective de un pied de conduit flexible correspond à 61 cm (2 pi) de conduit métallique rigide. (Exemple : La longueur effective d'un coude de conduit flexible est le double de la longueur effective d'un coude standard.)

# Alimentation électrique

**Important : Respecter les prescriptions de tous les codes et règlements en vigueur.**

**C'est au client qu'incombe la responsabilité de :**

- **Contacteur un électricien qualifié pour l'installation.**
- **Veiller à ce que l'installation électrique soit réalisée d'une manière adéquate et en conformité avec les prescriptions du Code national des installations électriques ANSI/NFPA 70 - dernière édition\*, ou des normes ACNOR C22.1.94 / Code canadien des installations électriques (partie 1) et C22.2 N°-M91 - dernière édition\*\*, et avec les prescriptions de tous les codes et règlements locaux en vigueur.**

**Si un conducteur distinct de liaison à la terre est utilisé lorsque le code le permet, on recommande qu'un électricien qualifié vérifie que la liaison à la terre est adéquate.**

**L'appareil doit être alimenté par un circuit 120 volts, 60 Hz, CA seulement, 15 A, avec un fusible sur chaque conducteur.**

**Ne pas utiliser une tuyauterie de gaz pour la liaison à la terre.**

**En cas d'incertitude quant à la qualité de la liaison à la terre de la hotte, consulter un électricien qualifié.**

**Ne pas installer un fusible en série avec le conducteur neutre ou le conducteur de liaison à la terre.**

**IMPORTANT :**

**Conservé les instructions d'installation à l'intention de l'inspecteur local des installations électriques.**

**La hotte doit être raccordée au réseau électrique uniquement avec des conducteurs de cuivre.**

La hotte doit être raccordée directement au coupe-circuit avec fusible ou au disjoncteur par l'intermédiaire de câble à conducteurs de cuivre, à blindage métallique flexible ou à gaine non métallique. Un passe-fil (homologation UL ou ACNOR) doit être installé à chaque extrémité du câble d'alimentation. Le calibre des conducteurs (CUIVRE SEULEMENT) et les connexions

doivent être compatibles avec la demande de courant de l'appareil spécifiée sur la plaque signalétique.

La taille des conducteurs doit satisfaire les prescriptions du Code national des installations électriques ANSI/NFPA 70 - dernière édition\*, ou des normes ACNOR C22.1.94 / Code canadien des installations électriques (partie 1) et C22.2 N°-M91 - dernière édition\*\*, et les prescriptions de tous les codes et règlements locaux en vigueur.

Un connecteur de conduit (homologation UL ou ACNOR) doit être installé à chaque extrémité du câble d'alimentation (sur la hotte et sur la boîte de connexion).

On peut obtenir aux adresses suivantes des exemplaires des normes mentionnées :

**\*National Fire Protection Association  
Batterymarch Park  
Quincy, Massachusetts 02269**

**\*\*CSA International  
8501 East Pleasant Valley Road  
Cleveland, Ohio 44131-5575**

## Les étapes de l'installation

### Préparation

**On ne doit couper une solive ou un poteau de colombage que lorsque cela est absolument nécessaire. S'il est nécessaire de couper une solive ou un poteau du colombage, on doit construire une structure de support appropriée.**

**Avant d'effectuer le découpage, vérifier que les distances de séparation appropriées seront respectées autour du conduit d'évacuation, dans le plafond ou la cavité du mur.**

**1.** Si c'est possible, débrancher la cuisinière (autonome ou mobile), et retirer la cuisinière de son encastrement entre les placards pour pouvoir accéder au mur arrière. Sinon, placer un épais matériau de protection sur le plan de travail, la table de cuisson ou la cuisinière, pour la protection contre la poussière et les dommages éventuels. Choisir une surface plane pour l'assemblage de l'appareil. Recouvrir cette surface d'un matériau de protection approprié avant d'y placer tous les composants de la hotte et les accessoires.

**2.** Sur le mur, marquer la ligne qui correspondra à l'axe central de la hotte après son installation.

**3.** Fixer solidement la bride inférieure sur le mur, à la hauteur indiquée. La dimension

indiquée à la page 3 correspond au montage de la hotte à 61 cm (24 po) au-dessus de la table de cuisson. Lors de l'installation de la bride inférieure, orienter vers le bas les pattes de retenue sur lesquelles la hotte reposera.

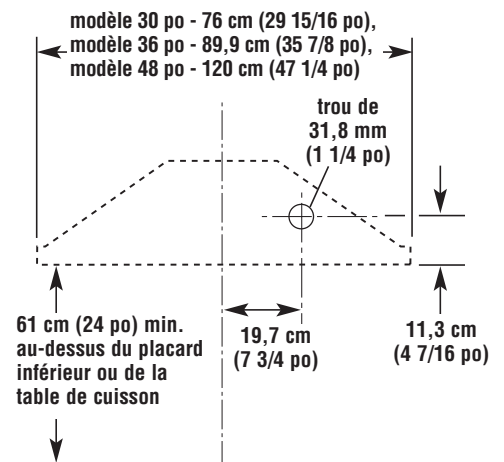
Si un dossier doit être utilisé avec cette hotte, on DOIT installer avant la hotte. Les instructions d'installation du dossier sont fournies avec le dossier. La hauteur du dossier déterminera la hauteur du bord inférieur de la hotte.

**4.** Fixer solidement au mur la bride intermédiaire et la bride supérieure. La bride supérieure doit être installée à environ 3 mm (1/8 po) du plafond; lors de l'installation de la bride intermédiaire (métal brillant), placer les extrémités au contact du mur et les parties courbées vers l'extérieur.

Note : Si la hotte est installée à plus de 61 cm (24 po) au-dessus de la table de cuisson, on doit installer la bride intermédiaire au point inférieur de la section de cheminée supérieure.

Il peut être nécessaire de couper la section supérieure de la cheminée. Veiller à ne pas endommager ni déformer la section de cheminée lors du découpage.

**5.** Tracer et découper les ouvertures nécessaires dans le mur pour le conduit d'évacuation. Installer de circuit avant la hotte. Voir les configurations le circuit de décharge à la page 4.

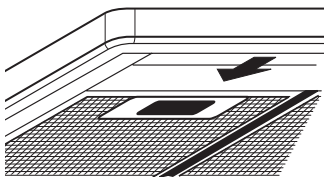


**6.** Déterminer la hauteur appropriée pour l'orifice de passage du câble d'alimentation; percer un trou de 32 mm (1 1/4 po) à cet endroit. Faire passer le câble à travers le trou selon les prescriptions du Code national des installations électriques ou de la norme ACNOR, ou des codes ou règlements locaux en vigueur. La longueur du câble devra être suffisante pour qu'il soit possible de réaliser les connexions adéquates dans la boîte de connexion de la hotte.

Assurer l'étanchéité avec un produit de calfeutrage au niveau de chaque ouverture.

**Ne pas mettre le circuit sous tension avant d'avoir achevé l'installation.**





**7.** Appuyer sur la manette à l'avant des filtres pour libérer les filtres; retirer les filtres de la hotte; conserver les filtres à part.

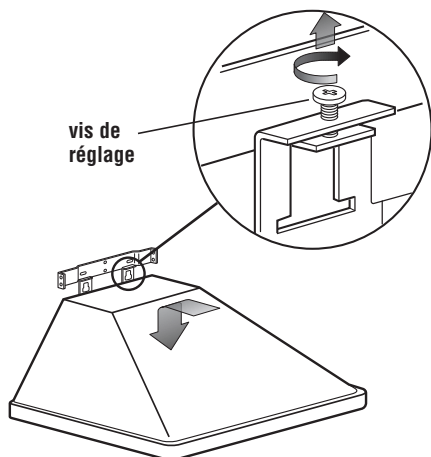
**8.** Ôter le couvercle de la boîte de connexion de la hotte. À l'aide d'un tournevis à lame plate, arracher l'opercule de l'orifice de passage du câble d'alimentation. Installer un connecteur de conduit dans cette ouverture; la vis de bridage du connecteur de conduit doit être à l'intérieur de la hotte.

## ⚠ AVERTISSEMENT

### Danger de poids excessif

Deux personnes ou plus doivent déplacer et installer la hotte.

Le non-respect de cette instruction peut causer une blessure au dos ou d'autres blessures.



**9.** Aligner la partie en « T » des orifices d'accrochage de la hotte avec les pattes de support de la bride inférieure. Pousser la hotte contre le mur. Laisser doucement descendre la hotte (veiller à ce que les pattes d'accrochage de la bride soient complètement enfoncées dans les orifices). Vérifier que la hotte est bien accrochée sur la bride inférieure. Introduire une section suffisante des conducteurs du câble d'alimentation à travers le connecteur de conduit, pour pouvoir réaliser les raccordements.

**10.** Établir l'aplomb de la hotte; faire tourner les vis de réglage pour ajuster la hauteur de la hotte.

## Raccordement au réseau électrique

### ⚠ AVERTISSEMENT



#### Risque de choc électrique

Débrancher de la source d'alimentation électrique avant d'effectuer des raccordements.

Connecter le conducteur de liaison à la terre avec la vis verte dans la boîte de connexion.

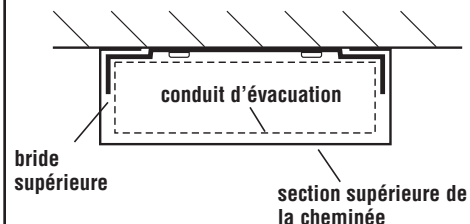
Le non-respect de ces instructions peut provoquer un choc électrique ou un accident mortel.

**11.** Exécution des raccordements électriques

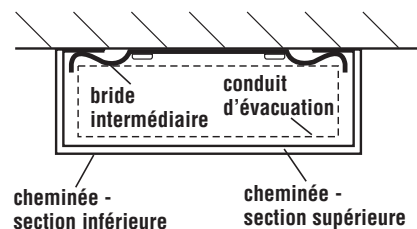
- Introduire le câble d'alimentation dans la boîte de connexion à travers le connecteur de conduit (homologation UL ou ACNOR).
- Raccorder ensemble avec un connecteur de fils le conducteur blanc du câble d'alimentation et le conducteur blanc de la hotte; raccorder ensemble avec un connecteur de fils le conducteur noir du câble d'alimentation et le conducteur noir de la hotte.
- Connecter sous la vis verte le conducteur vert (ou vert et jaune) du câble d'alimentation, utilisé pour la liaison à la terre.
- Serrer les vis du connecteur de conduit.
- Réinstaller le couvercle de la boîte de connexion.

## Installation des sections de la cheminée

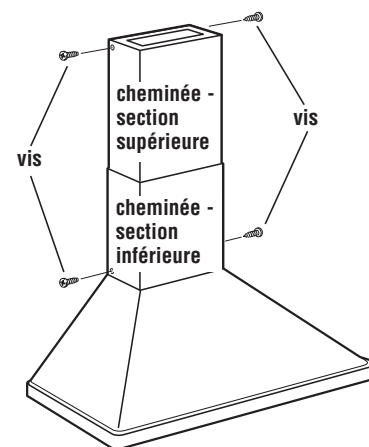
**12.** Si la bouche de décharge sur le toit ou à travers le mur ne comporte pas un volet de fermeture, installer le volet de fermeture fourni au niveau de l'ouverture de décharge au sommet de la hotte, avec deux vis Phillips. Raccorder le conduit d'évacuation au corps du volet de fermeture ou à la hotte; assurer l'étanchéité de chaque jointure avec du ruban adhésif pour conduit.



**13.** Engager prudemment les rebords arrière de la section supérieure de la cheminée derrière les brides supérieure et intermédiaire.



**14.** Ajuster soigneusement la section de cheminée inférieure par-dessus la section de cheminée supérieure au niveau de la bride intermédiaire, et derrière les extrémités de la bride inférieure.



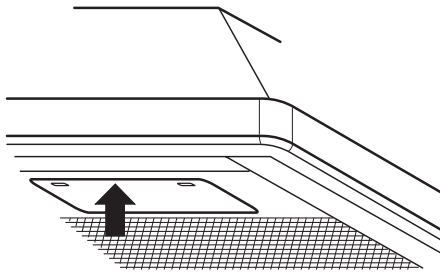
**15.** Lorsque les deux sections de la cheminée sont à la position finale, fixer le sommet de la section supérieure de la cheminée et le bas de la section inférieure de la cheminée sur les brides supérieure et inférieure.



## Contrôle du fonctionnement

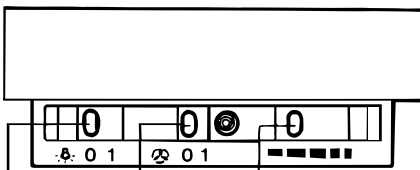
**16.** Placer les filtres dans leur logement dans la hotte (le bord arrière doit passer par-dessus le rebord). Appuyer pour insérer complètement chaque filtre.

**17.** Mettre le système sous tension.



emplacement des organes de commande

**18.** Les organes de commande de la hotte sont placés derrière une plaque grise sur la surface inférieure de la hotte. Pour y accéder, appuyer sur le bord avant de la plaque pour la dégager. La plaque d'accès se séparera de la hotte.



Interrupteur d'éclairage    Commutateur du ventilateur    Sélecteur de vitesse ventilateur

**19.** Contrôler le fonctionnement de la hotte.

- Placer l'interrupteur d'éclairage à la position « 1 »; la lampe doit s'allumer.
- Placer le commutateur du ventilateur à la position « 1 »; le ventilateur doit se mettre en marche.
- Faire tourner le sélecteur de vitesse complètement vers la gauche; le ventilateur doit fonctionner à la vitesse basse. Faire tourner le sélecteur de vitesse vers la droite; la vitesse du ventilateur doit augmenter progressivement, jusqu'à la vitesse maximale lorsque le bouton est tourné complètement vers la droite.
- Placer les commutateurs d'éclairage et du ventilateur à la position « 0 » pour commander l'arrêt du ventilateur et l'extinction de la lampe.

Si les composants de la hotte ne fonctionnent pas correctement,

- Déterminer si le circuit d'alimentation de la hotte est alimenté (disjoncteur ouvert ou fusible grillé?).
- Déconnecter la hotte du circuit d'alimentation. Vérifier que le câblage a été correctement réalisé.

Pour obtenir la plus grande efficacité de cette nouvelle hotte, lire la section « Renseignements d'utilisation et entretien ».

Conserver en lieu sûr les instructions d'installation et le Guide d'utilisation et d'entretien KitchenAid, pour pouvoir facilement les consulter.

# Renseignements d'utilisation et entretien

**AVERTISSEMENT - POUR MINIMISER LE RISQUE D'INCENDIE, CHOC ÉLECTRIQUE OU DOMMAGES CORPORELS, RESPECTER LES INSTRUCTIONS SUIVANTES :**

Utiliser cet appareil uniquement dans les applications envisagées par le fabricant. Pour toute question, contacter le fabricant. Avant d'entreprendre un travail d'entretien ou de nettoyage, interrompre l'alimentation de la hotte au niveau du tableau de disjoncteurs, et verrouiller le tableau de disjoncteurs pour empêcher tout rétablissement accidentel de l'alimentation du circuit. Lorsqu'il n'est pas possible de verrouiller le tableau de disjoncteurs ou le dispositif d'interruption de l'alimentation, placer sur le tableau de disjoncteurs une étiquette d'avertissement proéminente interdisant le rétablissement de l'alimentation.

**MISE EN GARDE :** Cet appareil est conçu uniquement pour la ventilation générale. Ne pas l'utiliser pour l'extraction de matières ou vapeurs dangereuses ou explosives.

**AVERTISSEMENT - POUR MINIMISER LE RISQUE D'UN FEU DE GRAISSE SUR LA TABLE DE CUISSON :**

Ne jamais laisser un élément de la table de cuisson fonctionner sans surveillance à la puissance de chauffage maximale; un renversement/débordement de matière grasseuse pourrait provoquer une inflammation et la génération de fumée.

Utiliser toujours une puissance de chauffage moyenne ou basse pour le chauffage d'huile.

Veiller à toujours faire fonctionner le ventilateur de la hotte lors d'une cuisson avec une puissance de chauffage élevée ou lors de la cuisson d'un mets à flamber.

Nettoyer fréquemment les ventilateurs d'extraction. Veiller à ne pas laisser de la graisse s'accumuler sur les surfaces du ventilateur ou des filtres.

Utiliser toujours un ustensile de taille appropriée. Utiliser toujours un ustensile de taille adapté à la taille de l'élément chauffant.

**AVERTISSEMENT - POUR RÉDUIRE LE RISQUE DE DOMMAGES CORPORELS APRÈS LE DÉCLENCHEMENT D'UN FEU DE GRAISSE SUR LA CUISINIÈRE, APPLIQUER LES RECOMMANDATIONS SUIVANTES :**

Placer sur le récipient un couvercle bien ajusté, une tôle à biscuits ou un plateau métallique **POUR ÉTOUFFER LES FLAMMES**, puis éteindre le brûleur. **VEILLER À ÉVITER LES BRÛLURES**. Si les flammes ne s'éteignent pas immédiatement, **ÉVACUER LA PIÈCE ET CONTACTER LES POMPIERS**. **NE JAMAIS PRENDRE EN MAIN UN RÉCIPIENT ENFLAMMÉ** - le risque de brûlure est élevé.

**NE PAS UTILISER D'EAU** ni un torchon humide - ceci pourrait provoquer une explosion de vapeur brûlante. Utiliser un extincteur **SEULEMENT** si :

Il s'agit d'un extincteur de classe ABC, dont on connaît le fonctionnement.

Il s'agit d'un petit feu encore limité à l'endroit

où il s'est déclaré.

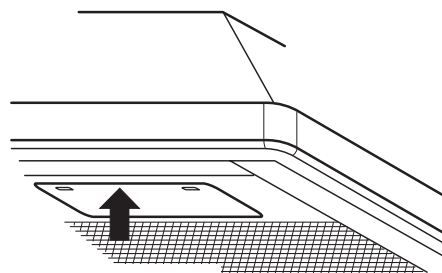
Les pompiers ont été contactés.

Il est possible de garder le dos orienté vers une sortie pendant l'opération de lutte contre le feu.

Ce ventilateur peut être utilisé avec les commandes de vitesse à circuits intégrés.

## Utilisation de la hotte

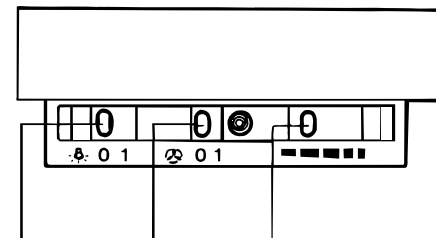
La fonction de la hotte est d'aspirer les fumées, vapeurs de cuisson et odeurs au-dessus de la table de cuisson. Pour obtenir les meilleurs résultats, mettre le ventilateur de la hotte en marche avant le début de la cuisson, et laisser le ventilateur fonctionner pendant plusieurs minutes après l'achèvement de la cuisson pour l'extraction de toute fumée et odeur de la cuisine.



emplacement des organes de commande

## Accès aux organes de commande de la hotte

Les organes de commande de la hotte sont placés derrière une plaque grise sur la surface inférieure de la hotte. Pour y accéder, appuyer sur le bord avant de la plaque pour la dégager. La plaque d'accès se séparera de la hotte.



Interrupteur d'éclairage    Commutateur du ventilateur    Sélecteur de vitesse - ventilateur

## Utilisation de la lampe :

**MISE EN MARCHÉ :** Placer l'interrupteur d'éclairage à la position « 1 ».

**EXTINCTION :** Placer l'interrupteur à la position « 0 ».

## Utilisation du ventilateur :

**MISE EN MARCHÉ :** Placer le commutateur du ventilateur à la position « 1 ».

**ARRÊT :** Placer le commutateur à la position « 0 ».

## Réglage de la vitesse du ventilateur :

Le ventilateur est commandé par un variateur de vitesse.

Faire tourner le bouton de réglage vers la gauche pour **RÉDUIRE** la vitesse, et vers la droite pour **AUGMENTER** la vitesse.

## Fermeture du logement des organes de commande :

Pousser vers le haut le bord avant de la plaque d'accès. La plaque d'accès s'emboîte sur la hotte.

## Nettoyage

### Filtres :

Il convient de laver fréquemment les filtres. Placer les filtres métalliques dans le lave-vaisselle, ou dans une solution chaude de détergent.

### Surfaces extérieures :

Nettoyer la hotte avec un détergent doux et un linge doux. Ne pas utiliser un produit de nettoyage abrasif ou un tampon de laine d'acier.

# Entretien

## Remplacement de la lampe :

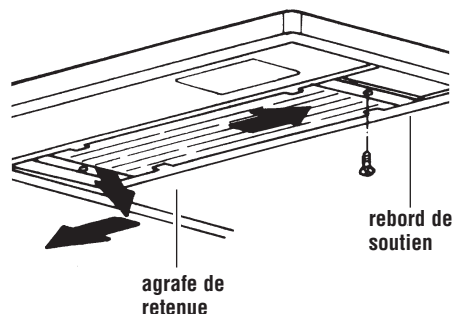
L'éclairage est assuré par une lampe fluorescente de type F33-15W-T8, avec dispositif de démarrage S2.

Ôter les agrafes de retenue aux deux extrémités du diffuseur de la lampe. Faire coulisser le diffuseur complètement vers la droite. Abaisser ensuite l'extrémité de gauche de la vitre au-dessous du rebord de soutien, et faire glisser la vitre vers la gauche pour l'enlever.

Installer une lampe fluorescente neuve.

Positionner l'extrémité de droite du diffuseur sur le rebord, et faire glisser le diffuseur complètement vers la droite.

Positionner l'extrémité de gauche du diffuseur sur le rebord, et faire glisser le diffuseur vers la gauche. Réinstaller les agrafes de retenue.



## Si une assistance est nécessaire :

Pour toute question au sujet de l'utilisation, du nettoyage ou de l'entretien de la hotte :

Téléphoner au Centre d'assistance aux consommateurs KitchenAid au 1-(800) 422-1230.

## Si une intervention de service est nécessaire :

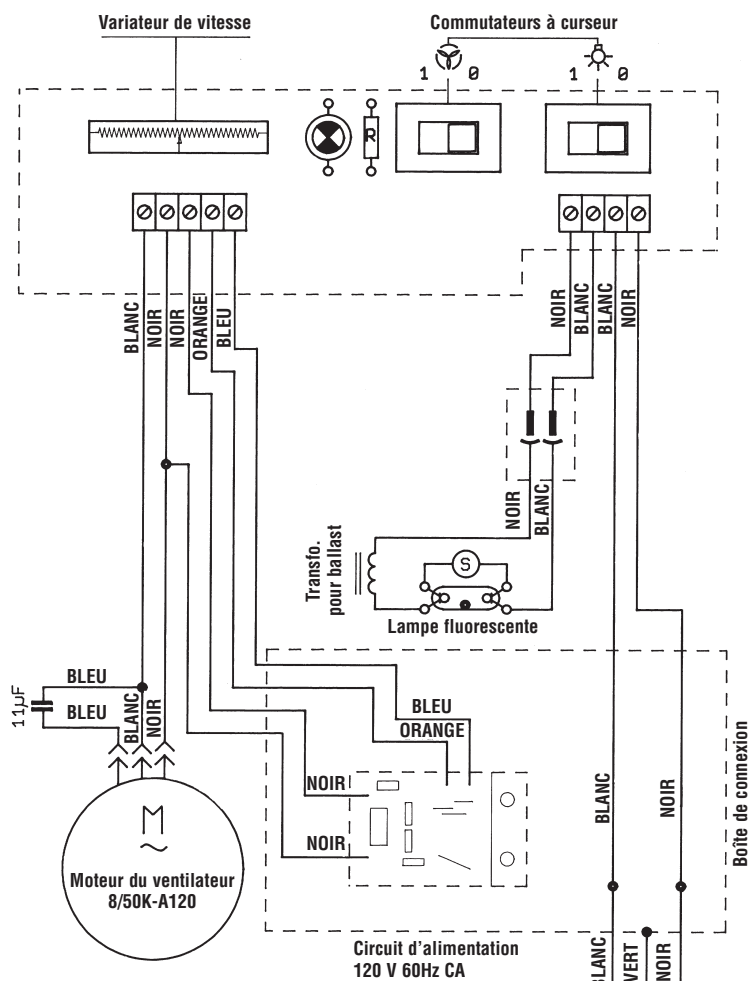
Pour préserver la qualité incorporée à cet appareil ménager KitchenAid, contacter un établissement de service agréé par KitchenAid. Pour obtenir le nom et le numéro de téléphone d'un établissement de service agréé :

Contacter le concessionnaire chez qui l'appareil a été acheté.

Consulter l'annuaire téléphonique Pages Jaunes à la rubrique « Appareils ménagers - Gros - service après-vente et réparation » ;

Téléphoner au Centre d'assistance aux consommateurs KitchenAid au 1-(800) 422-1230.

## Schéma de câblage



## Accessoires

disponibles chez le revendeur

Note : Chaque ensemble de pièces est accompagné des instructions appropriées.

**Dosseret\*** : Le dosseret doit être installé avant l'installation de la hotte. Acier inoxydable seulement.

- Pièce n° 8171295 - modèle de 76,2 cm (30 po)
- Pièce n° 4378615 - modèle de 91,4 cm (36 po)
- Pièce n° 8171296 - modèle de 121,9 cm (48 po)

**Barre d'accrochage pour ustensiles** : Acier inoxydable seulement.

- Pièce n° 4378619 (côté) - longueur 38 cm (15 po)
- Pièce n° 8171299 (arrière) - modèle de 76 cm (30 po)
- Pièce n° 4378618 (arrière) - modèle de 90 cm (35 3/8 po)

**Filtres au charbon** :

- Pièce n° 4378623 (paq. de 2)

**Ensembles pour hotte à recyclage\*** :

- Pièce n° 4378621 (acier inoxydable)
- Pièce n° 4378622 (blanc)
- Pièce n° 8171290 (biscuit)

**Râtelier** : Chrome seulement

- Pièce n° 8171297 76,2 cm (30 po)
- Pièce n° 4378616 91,4 cm (36 po)
- Pièce n° 8171298 121,9 cm (48 po)

**Suspensoir pour râtelier** : Chrome seulement

- Pièce n° 4378617

**Extensions de cheminée\*** :

- Pièce n° 8171313 (acier inoxydable)
- Pièce n° 8171315 (biscuit)
- Pièce n° 8171314 (blanc)

\*Il est nécessaire de lire ces instructions avant d'entreprendre l'installation de la hotte.

## GARANTIE DU SYSTÈME DE VENTILATION KITCHENAID®

### GARANTIE LIMITÉE DE UN AN

Pendant un an à compter de la date d'achat, lorsque ce gros appareil ménager est utilisé et entretenu conformément aux instructions jointes à ou fournies avec le produit, KitchenAid ou KitchenAid Canada (ci-après désignées "KitchenAid") paiera pour les pièces spécifiées par l'usine et la main-d'œuvre pour corriger les vices de matériaux ou de fabrication. Le service doit être fourni par une compagnie de service désignée par KitchenAid.

### KITCHENAID NE PRENDRA PAS EN CHARGE

1. Les visites de service pour rectifier l'installation du gros appareil ménager, montrer à l'utilisateur comment utiliser l'appareil, remplacer ou réparer des fusibles ou rectifier le câblage ou la plomberie du domicile.
2. Les visites de service pour réparer ou remplacer les ampoules électriques de l'appareil, les filtres à air ou les filtres à eau. Ces pièces consommables ne sont pas couvertes par la garantie.
3. Les réparations lorsque le gros appareil ménager est utilisé à des fins autres que l'usage unifamilial normal.
4. Les dommages imputables à : accident, modification, usage impropre ou abusif, incendie, inondation, actes de Dieu, installation fautive ou installation non conforme aux codes d'électricité ou de plomberie, ou l'utilisation de produits non approuvés par KitchenAid.
5. Le coût des pièces de rechange et de la main-d'œuvre pour les appareils utilisés hors des États-Unis ou du Canada.
6. Le ramassage et la livraison. Ce gros appareil ménager est conçu pour être réparé à domicile.
7. Les réparations aux pièces ou systèmes résultant d'une modification non autorisée faite à l'appareil.
8. Les frais de voyage ou de transport pour le service d'un produit dans les régions éloignées.
9. La dépose et la réinstallation de votre appareil si celui-ci est installé dans un endroit inaccessible ou n'est pas installé conformément aux instructions d'installation fournies.

### CLAUSE D'EXONÉRATION DE RESPONSABILITÉ AU TITRE DES GARANTIES IMPLICITES; LIMITATION DES RECOURS

LE SEUL ET EXCLUSIF RECOURS DU CLIENT DANS LE CADRE DE LA PRÉSENTE GARANTIE LIMITÉE CONSISTE EN LA RÉPARATION PRÉVUE CI-DESSUS. LES GARANTIES IMPLICITES, Y COMPRIS LES GARANTIES APPLICABLES DE QUALITÉ MARCHANDE ET D'APTITUDE À UN USAGE PARTICULIER, SONT LIMITÉES À UN AN OU À LA PLUS COURTE PÉRIODE AUTORISÉE PAR LA LOI. KITCHENAID N'ASSUME AUCUNE RESPONSABILITÉ POUR LES DOMMAGES FORTUITS OU INDIRECTS. CERTAINES JURIDICTIONS NE PERMETTENT PAS L'EXCLUSION OU LA LIMITATION DES DOMMAGES FORTUITS OU INDIRECTS, OU LES LIMITATIONS DE LA DURÉE DES GARANTIES IMPLICITES DE QUALITÉ MARCHANDE OU D'APTITUDE À UN USAGE PARTICULIER, DE SORTE QUE CES EXCLUSIONS OU LIMITATIONS PEUVENT NE PAS S'APPLIQUER DANS VOTRE CAS. CETTE GARANTIE VOUS CONFÈRE DES DROITS JURIDIQUES SPÉCIFIQUES ET VOUS POUVEZ ÉGALEMENT JOUIR D'AUTRES DROITS QUI PEUVENT VARIER D'UNE JURIDICTION À UNE AUTRE.

À l'extérieur du Canada et des 50 États des États-Unis, cette garantie ne s'applique pas. Contacter votre marchand KitchenAid autorisé pour déterminer si une autre garantie s'applique.

Si vous avez besoin de service, voir d'abord la section "Dépannage" du Guide d'utilisation et d'entretien. Après avoir vérifié la section "Dépannage", de l'aide supplémentaire peut être trouvée en vérifiant la section "Assistance ou service" ou en appelant KitchenAid. Aux É.-U., composer le **1-800-422-1230**. Au Canada, composer le **1-800-807-6777**.

10/05

# ***Demande d'assistance ou de service***

## **Si vous avez besoin d'assistance ou de service aux É.-U.**

**Téléphoner au Centre d'interaction avec la clientèle KitchenAid sans frais d'interurbain au 1-800-422-1230.**

**Nos consultants sont disponibles pour vous aider.**



Lors de votre appel, veuillez connaître la date d'achat et les numéros au complet de modèle et de série de votre appareil. Ces renseignements nous aideront à mieux répondre à votre demande.

**Nos consultants fournissent de l'assistance pour :**

- Caractéristiques et spécifications de notre gamme complète d'appareils électroménagers
- Renseignements concernant l'installation
- Procédés d'utilisation et d'entretien
- Vente d'accessoires et de pièces de rechange
- Assistance spécialisée aux clients (langue espagnole, malentendants, malvoyants, etc.)
- Les références aux marchands, compagnies de service de réparation, et distributeurs de pièces de rechange locaux.

Les techniciens de service désignés par KitchenAid sont formés pour exécuter les travaux sous garantie sur les produits et pour dispenser les services nécessaires après l'expiration de la garantie, partout aux É.-U.

Pour localiser la compagnie de service désignée par KitchenAid dans votre région, vous pouvez consulter les Pages jaunes de votre annuaire de téléphone.

## **Si vous avez besoin de pièces de rechange**

Si vous avez besoin de commander des pièces de rechange, nous vous recommandons d'utiliser seulement des pièces autorisées par l'usine. Ces pièces conviendront et fonctionneront bien parce qu'elles sont fabriquées selon les mêmes spécifications pré-

cises utilisées pour construire chaque nouvel appareil KitchenAid®.

Pour localiser des pièces autorisées par l'usine dans votre région, téléphonez à notre Centre d'interaction avec la clientèle, votre Centre de service autorisé le plus proche, ou le service de l'usine KitchenAid en composant le 1-800-442-1111.

## **Pour plus d'assistance**

Si vous avez besoin de plus d'assistance, vous pouvez écrire en soumettant toute question ou problème à :

KitchenAid Brand Home Appliances  
Customer Interaction Center  
C/o Correspondence Dept.  
2000 North M-63  
Benton Harbor, MI 49022-2692

Veuillez indiquer dans votre correspondance un numéro de téléphone où l'on peut vous joindre dans la journée.



# Demande d'assistance ou de service

Avant de faire un appel pour assistance ou service, veuillez vérifier la section "Contrôle du fonctionnement". Cette vérification pourrait vous faire économiser le coût

d'une visite de service. Si vous avez encore besoin d'aide, suivre les instructions ci-dessous.

## Si vous avez besoin d'assistance ou de service au Canada

### 1. Si le problème n'est pas attribuable à l'une des causes indiquées dans "Guide de dépannage"†...



Communiquer avec le marchand chez qui vous avez acheté votre appareil électroménager, ou téléphoner à KitchenAid Canada au Centre d'interaction avec la clientèle, sans frais d'interurbain, entre

8 h 30 et 18 h 00 (HNE), en composant **1-800-422-1230**.

### 2. Si vous avez besoin de service†...

Communiquer avec la succursale ou établissement de service autorisé de KitchenAid Canada le plus proche pour l'entretien de votre appareil. (Voir liste ci-dessous.) S'assurer que la compagnie de service que vous contactez est autorisée à faire l'entretien de votre appareil durant la période de garantie.

†Lorsque vous demandez de l'assistance ou un service, veuillez fournir une description détaillée du problème, les numéros complets du modèle et de série de l'appareil, et la date d'achat. Ces renseignements nous aideront à mieux répondre à votre demande.

## Service d'appareils ménagers KitchenAid Canada – Service aux consommateurs

Succursales de service direct :

<b>COLOMBIE-BRITANNIQUE</b>		1-800-665-6788
<b>ALBERTA</b>		1-800-661-6291
<b>ONTARIO</b> (à l'exception de l'indicatif régional 807)	Région d'Ottawa En dehors de la région d'Ottawa	1-800-267-3456 1-800-807-6777
<b>MANITOBA, SASKATCHEWAN</b> et indicatif régional 807 en ONTARIO		1-800-665-1683
<b>QUÉBEC</b>	Montréal (à l'exception de la Rive-Sud) Rive-Sud Montréal Québec Sherbrooke	1-800-361-3032 1-800-361-0950 1-800-463-1523 1-800-567-6966
<b>PROVINCES DE L'ATLANTIQUE</b>		1-800-565-1598

## Pour plus d'assistance

Si vous avez besoin de plus d'assistance, vous pouvez écrire en soumettant toute question ou problème au :

Service des relations avec la clientèle  
KitchenAid Canada  
1901 Minnesota Court  
Mississauga, Ontario L5N 3A7

Veuillez indiquer dans votre correspondance un numéro de téléphone où l'on peut vous joindre le jour.