

KitchenAid® 36" (76.2 cm) Range Hood

PRODUCT MODEL NUMBERS

KWCU405S
KWCU465S

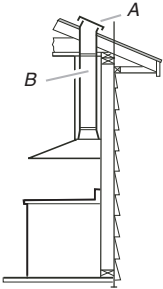
Electrical: 120-volt, 60-Hz, AC-only, 15-amp, fused electrical circuit is required. Use copper wire only.

VENTING REQUIREMENTS

Note: Flexible vent is not recommended. Flexible vent creates back pressure and air turbulence that greatly reduce performance.

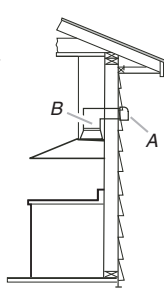
Vent system can terminate either through the roof or wall. To vent through a wall, a 90° elbow is needed.

Roof Venting



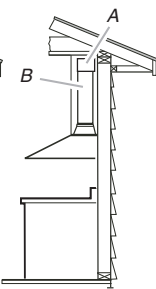
A. Roof cap
B. 6" (15.2 cm) round vent

Wall Venting





A. Wall cap
B. 6" (15.2 cm) round vent

Non-vented (recirculating)



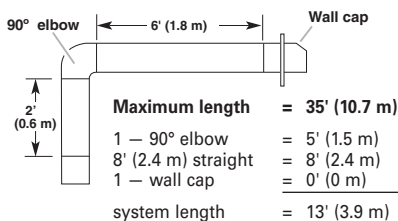
A. Deflector
B. 6" (15.2 cm) round vent

To calculate the length of the system you need, add the equivalent feet (meters) for each vent piece used in the system.

Vent piece	6" (15.2 cm) round
45° elbow	2.5' (0.8 m) 
90° elbow	5.0' (1.5 m) 

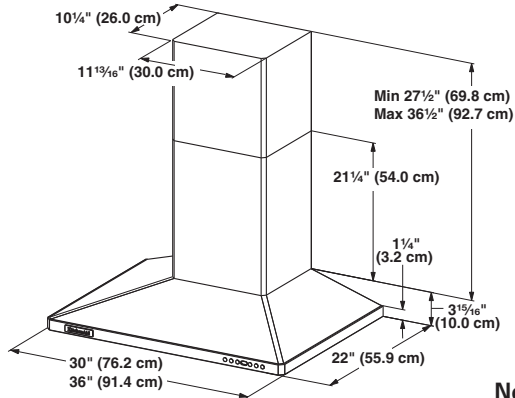
Maximum equivalent vent length is 35' (10.7 m).

Example Vent System

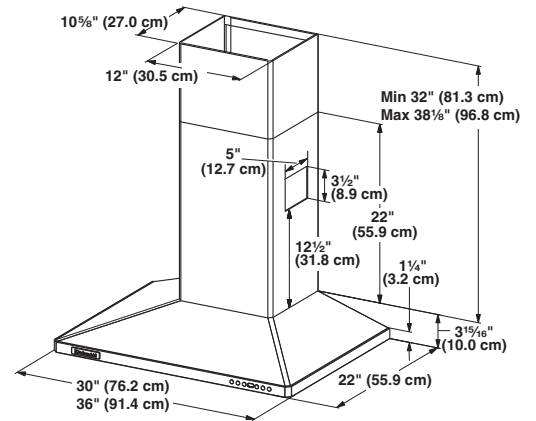


PRODUCT DIMENSIONS

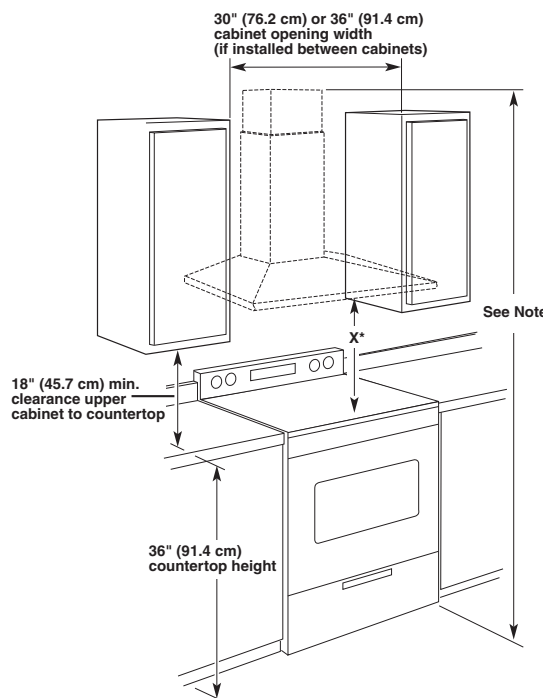
Vented installations



Non-vented (recirculating) installations



INSTALLATION DIMENSIONS



Note: The range hood chimneys are adjustable and designed to meet varying ceiling or soffit heights depending on the distance "X" between the bottom of the range hood and the cooking surface. For higher ceilings, a 40" (101.6 cm) Chimney Extension Kit Part Number 8212710 (Stainless Steel), 8212711 (White), or 8212712 (black) is available from your dealer or an authorized parts distributor. The chimney extension replaces the upper chimney shipped with the range hood.

Important:

Minimum distance "X": 24" (61.0 cm)
Suggested maximum distance "X": 30" (76.2 cm)

For vented installations, the chimneys can be adjusted for ceilings between 7' 6-3/8" (2.30 m) and 9' 0" (2.74 m).

For non-vented (recirculating) installations, the chimneys can be adjusted for ceilings between 8' 3-3/8" (2.45 m) and 9' 5-1/4" (2.88 m).