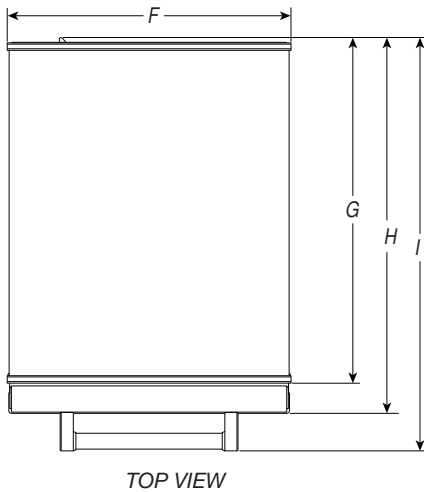
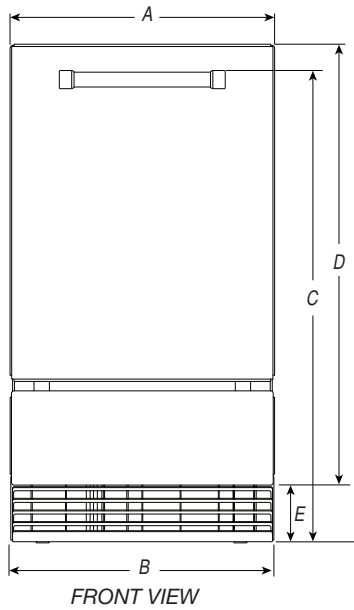


# DETAILED PLANNING DIMENSIONS

## 18" ICE MACHINES

KUID308H/ KUID508H/ KUIO338H – D 24" x W 17<sup>11</sup>/<sub>16</sub>" x H 25<sup>55</sup>/<sub>32</sub>" (depth without handle)

### PRODUCT DIMENSIONS



MODEL #		KUID308H/ KUID508H/ KUIO338H	
		in	cm
<b>A</b>	Width	17 <sup>11</sup> / <sub>16</sub>	44.95
<b>B</b>	Width of grille	17 <sup>25</sup> / <sub>32</sub>	45.17
<b>C</b>	Height to top of handle	31 <sup>15</sup> / <sub>16</sub>	81.1
<b>D</b>	Height of door	22 <sup>53</sup> / <sub>64</sub>	57.98
<b>E</b>	Height of grille	3 <sup>57</sup> / <sub>64</sub>	9.9
<b>F</b>	Width of recessed ice machine to door fully open	17 <sup>7</sup> / <sub>8</sub>	45.4
<b>G</b>	Depth without door	21 <sup>3</sup> / <sub>4</sub>	55.26
<b>H</b>	Depth with door (min.)	23 <sup>41</sup> / <sub>64</sub>	60.05
<b>I</b>	Depth with handle	26 <sup>1</sup> / <sub>64</sub>	66.1

**IMPORTANT:** Dimensional specifications are provided for planning purposes only. Do not make any cutouts based on this information. Refer to the Installation or Use & Care Guide before selecting cabinetry, verifying electrical/gas connections, making cutouts or beginning installation. All KitchenAid® appliances are appropriately UL, CUL or CSA approved.

**KitchenAid®**

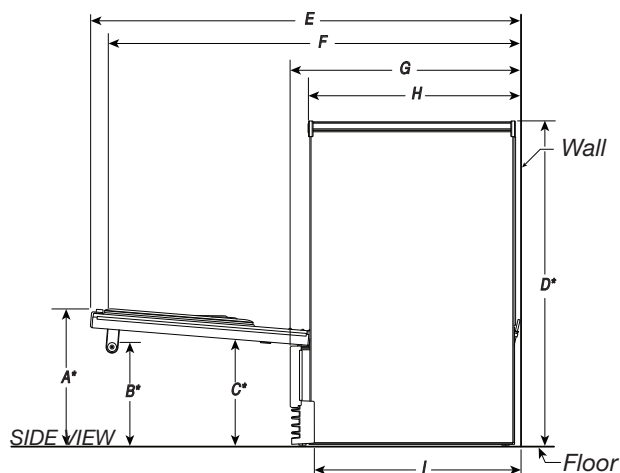
# DETAILED PLANNING DIMENSIONS

## 18" ICE MACHINES

KUID308H/ KUID508H/ KUIO338H – D 24" x W 17<sup>11</sup>/<sub>16</sub>" x H 25<sup>55</sup>/<sub>32</sub>" (depth without handle)

MODEL #		KUID308H/ KUID508H/ KUIO338H	
		in	cm
A*	Height to top of door (min.)	33 <sup>47</sup> / <sub>64</sub>	85.7
B*	Height to top of handle (min.)	31 <sup>15</sup> / <sub>16</sub>	81.1
C*	Height to top of grille (min.)	10 <sup>17</sup> / <sub>64</sub>	26.1
D*	Height of recessed ice machine (min.)	33 <sup>5</sup> / <sub>8</sub>	85.43
E	Depth with door open 90° (min.)	44 <sup>3</sup> / <sub>8</sub>	112.72
F	Depth with handle (min.)	26 <sup>1</sup> / <sub>64</sub>	66.1
G	Depth with door (min.)	23 <sup>19</sup> / <sub>32</sub>	59.95
H	Depth without door (min.)	21 <sup>5</sup> / <sub>8</sub>	54.91
I	Depth of grille (min.)	23 <sup>33</sup> / <sub>64</sub>	59.71

\* Add 1" (2.5 cm) to the height dimension when leveling legs are fully extended.



**IMPORTANT:** Dimensional specifications are provided for planning purposes only. Do not make any cutouts based on this information. Refer to the Installation or Use & Care Guide before selecting cabinetry, verifying electrical/gas connections, making cutouts or beginning installation. All KitchenAid® appliances are appropriately UL, CUL or CSA approved.

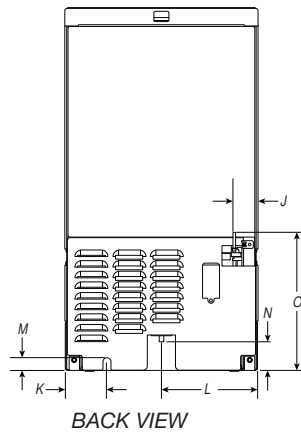
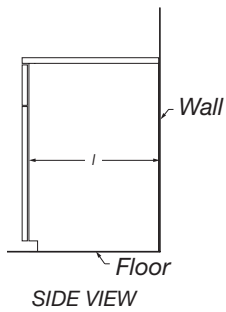
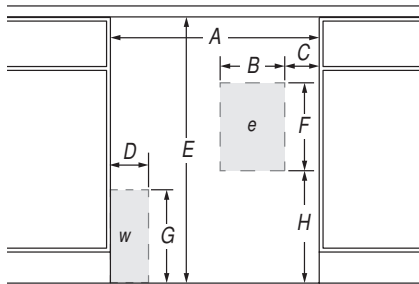
**KitchenAid®**

# DETAILED PLANNING DIMENSIONS

## 18" ICE MACHINES

KUID308H/ KUID508H/ KUIO338H – D 24" x W 17<sup>11</sup>/<sub>16</sub>" x H 25<sup>55</sup>/<sub>32</sub>" (depth without handle)

### OPENING/CLEARANCE DIMENSIONS



MODEL #		KUID308H/ KUID508H/ KUIO338H	
		in	cm
<b>A*</b>	Width (min.)	18	45.7
<b>B*</b>	Width of outlet location	6	15.0
<b>C*</b>	Outlet location – distance from side	1	2.5
<b>D*</b>	Width of water connection location	3 <sup>1</sup> / <sub>2</sub>	8.9
<b>E</b>	Height (min.)	34	86.4
<b>F</b>	Height of outlet location	8	20.3
<b>G</b>	Height of water connection location	9	22.9
<b>H</b>	Outlet location – distance from bottom	12	30.5
<b>I</b>	Depth of cabinet (min.)	24	61.0
<b>J</b>	Water line location – distance from side	2 <sup>15</sup> / <sub>32</sub>	6.28
<b>K</b>	Power supply – distance from side	3 <sup>23</sup> / <sub>32</sub>	9.45
<b>L</b>	Drain hose – distance from side	8 <sup>49</sup> / <sub>64</sub>	22.25
<b>M</b>	Power supply – distance from bottom	1 <sup>17</sup> / <sub>64</sub>	3.19
<b>N</b>	Drain hose – distance from bottom	2 <sup>41</sup> / <sub>64</sub>	6.79
<b>O</b>	Water line location – distance from bottom	11 <sup>9</sup> / <sub>16</sub>	29.38
<b>e</b>	Recommended electrical connection location		
<b>w</b>	Recommended water connection location		

\* Install 3/4" (1.9 cm) front hinge-side spacer flush with face of adjacent cabinet and 3/4" (1.9 cm) back hinge-side spacer 6" (15.2 cm) from back wall.

### ELECTRICAL REQUIREMENTS

115 V, 60 Hz, AC only, 15 or 20 A fused, grounded circuit is required. A dedicated circuit is recommended. Use an outlet that cannot be turned off by a switch. Do not use an extension cord.

### WATER PRESSURE REQUIREMENTS

A cold water supply with water pressure between 30 and 120 psi (207 and 827 kPa) is required to operate the ice maker. Call a licensed, qualified plumber with any questions about the water pressure.

### Reverse Osmosis Water Supply

**IMPORTANT:** The use of a reverse osmosis system with this product is not recommended. However if you do use reverse osmosis, follow these instructions.

**IMPORTANT:** The pressure of the water coming out of a reverse osmosis system going to the water inlet valve of the ice machine needs to be between 30 and 120 psi (207 and 827 kPa). If a reverse osmosis water filtration system is connected to the cold water supply, the water pressure to the reverse osmosis system needs to be a minimum of 40 to 60 psi (276 to 414 kPa).

**IMPORTANT:** Dimensional specifications are provided for planning purposes only.

**Do not make any cutouts based on this information.** Refer to the Installation or Use & Care Guide before selecting cabinetry, verifying electrical/gas connections, making cutouts or beginning installation. All KitchenAid® appliances are appropriately UL, CUL or CSA approved.

**KitchenAid®**

W11349806A

®/™ ©2019 KitchenAid. All rights reserved.  
In some European factories the letter "W" of the part code mentioned herein will be automatically

03/19

replaced by the number "4000" (e.g. "W12345678" becomes "400012345678")