

KitchenAid® Undercounter Dishwasher

PRODUCT MODEL NUMBERS

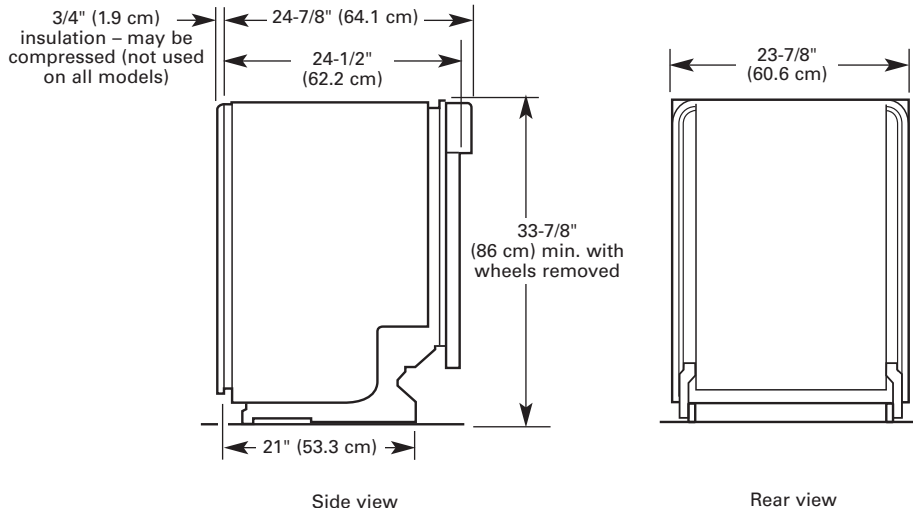
KUDC03IT	KUDS03FT	KUDC03FV
KUDK03CT	KUDS03ST	KUDL03IV
KUDK03FT	KUDT03FT	KUDL03FV
KUDK03IT	KUDT03ST	KUDE03FT
KUDL03IT	KUDU03FT	
KUDM03FT	KUDU03ST	
KUDS03CT	KUDX03FT	

Electrical: 120-volt, 60-Hz, AC-only, 15- or 20-amp. fused electrical supply. Use copper wire only. A time-delay fuse or circuit breaker and separate circuit is recommended.

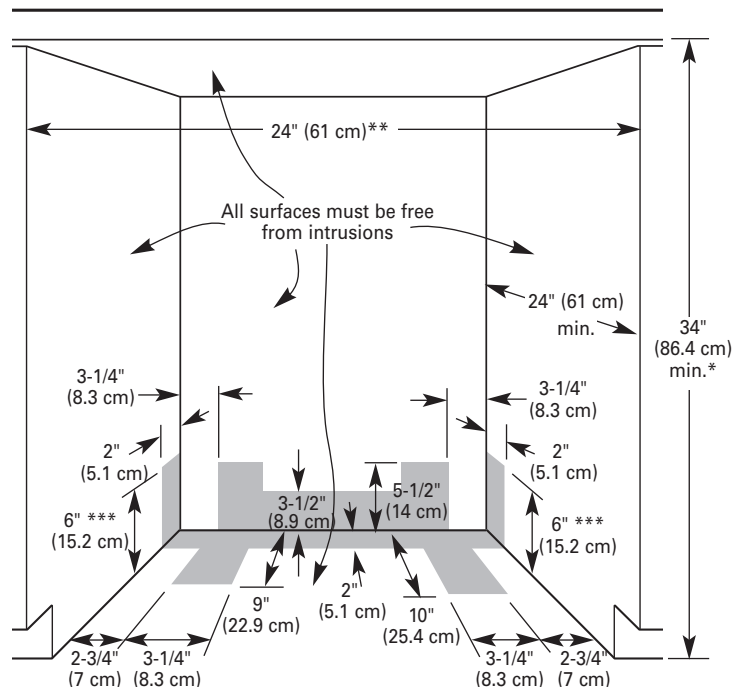
Water: A hot water line with 20-120 psi (138-862 kPa) water pressure. Water temperature must be 120°F (49°C) at dishwasher. Use 3/8" O.D. copper tubing with compression fitting or flexible stainless steel braided fill line (1/2" minimum plastic tubing is optional but not recommended). Use a 90° elbow with 3/8" N.P.T. external pipe threads on one end to connect to water inlet valve. Do not solder within 6" (15.2 cm) from water inlet valve.

Drain: Use the new drain hose supplied with your dishwasher. If this is not suitable, use a new drain hose with a maximum length of 12 feet (3.7 m) that meets all current AHAM/IAPMO test standards, is resistant to heat and detergent, and fits the drain connector of the dishwasher. Must have a high drain loop 20 inches (50.8 cm) above the subfloor or floor. Connect drain hose to waste tee or disposer inlet above drain trap in house plumbing and 20 inches (50.8 cm) minimum above the floor. An air gap must be used if the drain hose is connected to house plumbing lower than 20 inches (50.8 cm) above subfloor or floor. Use 1/2" minimum I.D. drain line fittings.

OVERALL DIMENSIONS



CABINET OPENING DIMENSIONS



Cut holes in shaded area of cabinet walls or floor as specified below:

- water line – 1/2" (1.3 cm)
- drain line – 1-1/2" (3.8 cm)
- direct wire – 3/4" (1.9 cm)
- power supply cord – 1-1/2" (3.8 cm)

* Measured from the lowest point on the underside of countertop. May be reduced to 33-7/8" (86 cm) by removing wheels from dishwasher.

** Minimum, measured from narrowest point of opening.

*** May be increased to 6-7/8" (17.5 cm) if height of opening is 34-1/2" (87.6 cm) at its lowest point.

‡ Both sides