

# INSTALLATION INSTRUCTIONS 27" (68.6 CM) AND 30" (76.2 CM) ELECTRIC BUILT-IN MICROWAVE OVEN

## INSTRUCTIONS D'INSTALLATION FOUR À MICRO-ONDES ENCASTRÉ ÉLECTRIQUE DE 27" (68,6 CM) ET 30" (76,2 CM)

### Table of Contents/Table des matières

<b>BUILT-IN MICROWAVE OVEN SAFETY</b> .....	1	<b>SÉCURITÉ DU FOUR À MICRO-ONDES ENCASTRÉ</b> .....	6
<b>INSTALLATION REQUIREMENTS</b> .....	2	<b>EXIGENCES D'INSTALLATION</b> .....	7
Tools and Parts .....	2	Outillage et pièces.....	7
Location Requirements .....	2	Exigences d'emplacement.....	7
Electrical Requirements .....	3	Spécifications électriques .....	8
<b>INSTALLATION INSTRUCTIONS</b> .....	4	<b>INSTRUCTIONS D'INSTALLATION</b> .....	9
Prepare Built-In Microwave Oven .....	4	Préparation du four à micro-ondes encastré.....	9
Make Electrical Connection .....	4	Raccordement électrique.....	9
Install Microwave Oven .....	5	Installation du four à micro-ondes .....	11
Complete Installation .....	5	Achever l'installation .....	11

## BUILT-IN MICROWAVE OVEN SAFETY

### Your safety and the safety of others are very important.

We have provided many important safety messages in this manual and on your appliance. Always read and obey all safety messages.



This is the safety alert symbol.

This symbol alerts you to potential hazards that can kill or hurt you and others.

All safety messages will follow the safety alert symbol and either the word "DANGER" or "WARNING."

These words mean:

**! DANGER**

You can be killed or seriously injured if you don't immediately follow instructions.

**! WARNING**

You can be killed or seriously injured if you don't follow instructions.

All safety messages will tell you what the potential hazard is, tell you how to reduce the chance of injury, and tell you what can happen if the instructions are not followed.

# INSTALLATION REQUIREMENTS

## Tools and Parts

Gather the required tools and parts before starting installation. Read and follow the instructions provided with any tools listed here.

### Tools needed

- Philips screwdriver
- Hand or electric drill (for wall cabinet installations)
- Measuring tape
- 1" (25 mm) drill bit (for wall cabinet installations)
- Level

### Parts needed

- A UL listed or CSA approved conduit connector
- UL listed wire connectors

### Parts supplied

- 2 screws

Check local codes. Check existing electrical supply. See "Electrical Requirements."

It is recommended that all electrical connections be made by a licensed, qualified electrical installer.

## Location Requirements

**IMPORTANT:** Observe all governing codes and ordinances.

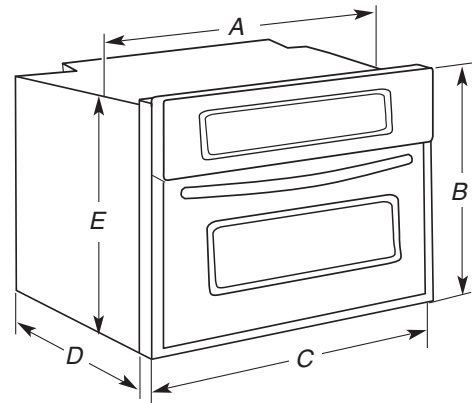
- Cabinet opening dimensions that are shown must be used. Given dimensions provide minimum clearance with microwave oven.
- Recessed installation area must provide complete enclosure around the recessed portion of the microwave oven.
- Grounded electrical supply is required. See "Electrical Requirements" section.
- Electrical supply junction box should be located 3" (7.6 cm) maximum below the support surface when the microwave oven is installed in a wall cabinet. A 1" (2.5 cm) minimum diameter hole should have been drilled in the right rear or left rear corner of the support surface to pass the appliance cable through to the junction box.

**NOTE:** For undercounter installation, it is recommended that the junction box be located in the adjacent right or left cabinet. If you are installing the junction box on rear wall behind the microwave oven, the junction box must be recessed and located in the upper or lower right or left corner of the cabinet; otherwise, the microwave oven will not fit into the cabinet opening.

- Microwave oven support surface must be solid, level and flush with bottom of cabinet cutout. Floor must be able to support a weight of 110 lbs (50.0 kg).

## Product Dimensions

### 27" (68.6 cm) and 30" (76.2 cm) Microwave Ovens



#### 27" (68.6 cm) models

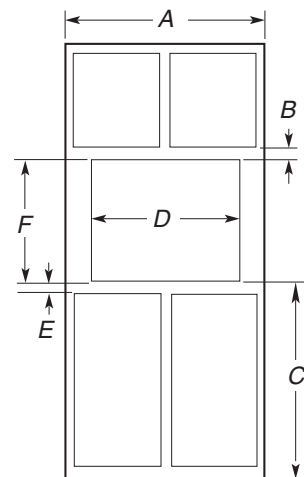
- A. 25 <sup>5</sup>/<sub>16</sub>" (64.3 cm) recessed width
- B. 20 <sup>5</sup>/<sub>16</sub>" (51.6 cm) overall height
- C. 26 <sup>3</sup>/<sub>4</sub>" (67.9 cm) overall width
- D. 23" (58.3 cm) max. recessed depth
- E. 18 <sup>3</sup>/<sub>4</sub>" (47.6 cm) recessed height

#### 30" (76.2 cm) models

- A. 28 <sup>5</sup>/<sub>16</sub>" (71.9 cm) recessed width
- B. 20 <sup>5</sup>/<sub>16</sub>" (51.6 cm) overall height
- C. 29 <sup>3</sup>/<sub>4</sub>" (75.6 cm) overall width
- D. 23" (58.3 cm) max. recessed depth
- E. 18 <sup>3</sup>/<sub>4</sub>" (47.6 cm) recessed height

## Cabinet Requirements

### 27" (68.6 cm) and 30" (76.2 cm) Microwave Ovens



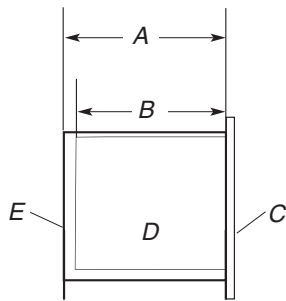
#### 27" (68.6 cm) models

- A. 27" (68.6 cm) min. cabinet width
- B. 1" (2.5 cm) top of cutout to bottom of upper cabinet door
- C. 40" (101.2 cm) bottom of cutout to floor (recommended)
- D. 25 <sup>1</sup>/<sub>2</sub>" (64.8 cm) cutout width
- E. 1 <sup>1</sup>/<sub>2</sub>" (3.8 cm) min. bottom of cutout to top of cabinet door
- F. 19 <sup>7</sup>/<sub>16</sub>" (49.4 cm) cutout height

#### 30" (76.2 cm) models

- A. 30" (76.2 cm) min. cabinet width
- B. 1" (2.5 cm) top of cutout to bottom of upper cabinet door
- C. 40" (101.2 cm) bottom of cutout to floor (recommended)
- D. 28 <sup>1</sup>/<sub>2</sub>" (72.4 cm) cutout width
- E. 1 <sup>1</sup>/<sub>2</sub>" (3.8 cm) min. bottom of cutout to top of cabinet door
- F. 19 <sup>7</sup>/<sub>16</sub>" (49.4 cm) cutout height

## Cabinet Side View



- A. 23 1/4" (59.1 cm) min. cutout depth
- B. 23" (58.4 cm) recessed oven depth
- C. Oven front
- D. Recessed oven
- E. Cabinet

## Electrical Requirements

### GROUNDING INSTRUCTIONS

#### For a permanently connected microwave oven:

The microwave oven must be connected to a grounded, metallic, permanent wiring system, or an equipment grounding conductor should be run with the circuit conductors and connected to the equipment grounding terminal or lead on the microwave oven.

### SAVE THESE INSTRUCTIONS

If codes permit and a separate ground wire is used, it is recommended that a qualified electrical installer determine that the ground path and wire gauge are in accordance with local codes.

Check with a qualified electrical installer if you are not sure the microwave oven is properly grounded.

This microwave oven must be connected to a grounded metal, permanent wiring system.

Be sure that the electrical connection and wire size are adequate and in conformance with the National Electrical Code, ANSI/NFPA 70-latest edition or CSA Standards C22.1-94, Canadian Electrical Code, Part 1 and C22.2 No. O-M91-latest edition, and all local codes and ordinances.

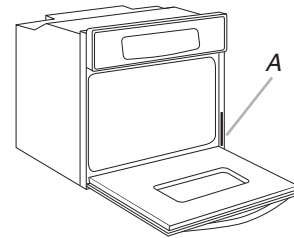
A copy of the above code standards can be obtained from:

National Fire Protection Association  
One Batterymarch Park  
Quincy, MA 02269  
CSA International  
8501 East Pleasant Valley Road  
Cleveland, OH 44131-5575

## Electrical Connection

To properly install your microwave oven, you must determine the type of electrical connection you will be using and follow the instructions provided for it here.

- Microwave oven must be connected to the proper electrical voltage and frequency as specified on the model/serial number rating plate. The model/serial number rating plate is located on the right-hand microwave oven frame.



A. Model/serial number plate

- When a 4-wire or 3-wire, single phase 120/208 or 120/240 volt, 60 Hz, AC only electrical supply is available, a 20-amp maximum circuit protection is required, fused on both sides of the line.
- A time-delay fuse or circuit breaker is recommended.
- Connect directly to the fused disconnect (or circuit breaker box) through flexible, nonmetallic sheathed, copper cable (with grounding wire). See "Make Electrical Connection" section.
- Flexible cable from the microwave oven should be connected directly to the junction box.
- Do not cut the conduit. The length of conduit provided is for serviceability of the microwave oven.
- A UL listed or CSA approved conduit connector must be provided.
- If the house has aluminum wiring follow the procedure below:
  1. Connect a section of solid copper wire to the pigtail leads.
  2. Connect the aluminum wiring to the added section of copper wire using special connectors and/or tools designed and UL listed for joining copper to aluminum.Follow the electrical connector manufacturer's recommended procedure. Aluminum/copper connection must conform with local codes and industry accepted wiring practices.

# INSTALLATION INSTRUCTIONS

## Prepare Built-In Microwave Oven

1. Locate existing wiring to avoid drilling into or severing wiring during installation.

### **⚠ WARNING**

#### Excessive Weight Hazard

Use two or more people to move and install microwave oven.

Failure to do so can result in back or other injury.

2. To avoid floor damage, set the microwave oven onto cardboard prior to installation. Do not use handle or any portion of the front frame for lifting.
3. Remove the shipping materials and tape from the microwave oven.
4. Remove and set aside racks and other items from inside the microwave oven.
5. Remove the hardware package from inside the bag containing literature.
6. Move the microwave oven and cardboard close to the microwave oven's final location.

## Make Electrical Connection

### **⚠ WARNING**



#### Electrical Shock Hazard

Disconnect power before servicing.

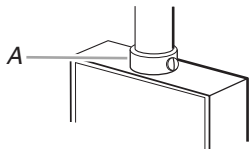
Use 12 gauge copper wire.

Electrically ground oven.

Failure to follow these instructions can result in death, fire, or electrical shock.

This microwave oven is manufactured with a neutral (white) power supply wire and a cabinet-connected green (or bare) ground wire twisted together.

1. Disconnect power.
2. Feed the flexible cable conduit from the microwave oven through the opening in the cabinet.
3. Remove junction box cover if it is present.
4. Install a UL listed or CSA approved conduit connector to the junction box.



A. UL listed or CSA approved conduit connector

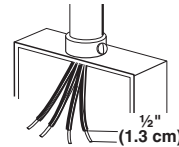
5. Route the flexible cable conduit from the microwave oven to the junction box through a UL listed or CSA approved conduit connector.
6. Tighten screws on conduit connector.
7. See "Electrical Connection Options Chart" to complete installation for your type of electrical connection.

### Electrical Connection Options Chart

#### If your home has:

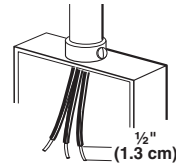
#### Go to section:

4-wire



4-wire Cable from Home Power Supply

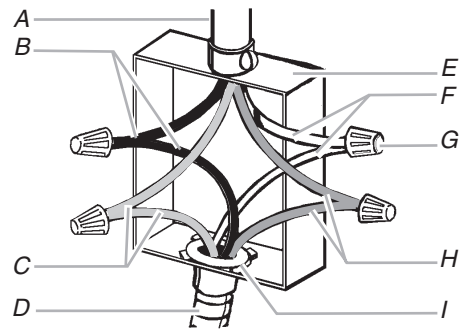
3-wire



3-wire Cable from Home Power Supply

### 4-Wire Cable from Home Power Supply

**IMPORTANT:** Use the 4-wire cable from home power supply in the U.S. where local codes do not allow grounding through neutral, New Branch circuit installations (1996 NEC), mobile homes and recreational vehicles, new construction and in Canada.



A. Cable from home power supply

B. Black wires

C. Red wires

D. 4-wire flexible cable from microwave oven

E. Junction box

F. White wires

G. UL listed wire connectors

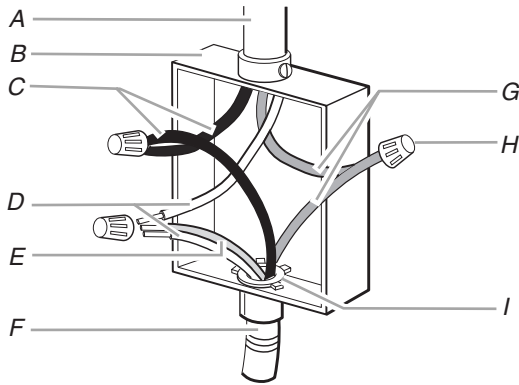
H. Green (or bare) ground wires

I. UL listed or CSA approved conduit connector

1. Connect the 2 black wires (B) together using a UL listed wire connector.
2. Connect the 2 red wires (C) together using a UL listed wire connector.
3. Untwist white wire from green (or bare) ground wire coming from the microwave oven.
4. Connect the 2 white wires (F) together using a UL listed wire connector.
5. Connect the green (or bare) ground wire (H) from the oven cable to the green (or bare) ground wire (in the junction box) using a UL listed wire connector.
6. Install junction box cover.

## 3-Wire Cable from Home Power Supply - U.S. Only

**IMPORTANT:** Use the 3-wire cable from home power supply where local codes permit a 3-wire connection.

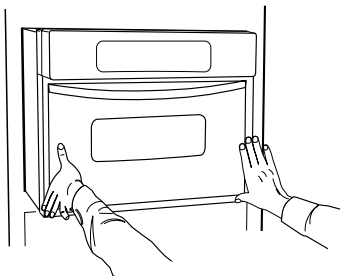


- A. Cable from home power supply  
 B. Junction box  
 C. Black wires  
 D. White wires  
 E. Green (or bare) ground wire (from microwave oven)  
 F. 4-wire flexible cable from microwave oven  
 G. Red wires  
 H. UL listed wire connectors  
 I. UL listed or CSA approved conduit connector

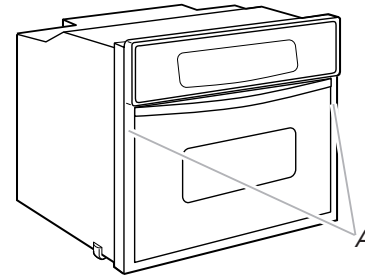
1. Connect the 2 black wires (C) together using a UL listed wire connector.
2. Connect the 2 white wires (D) and the green (or bare) ground wire (of the microwave oven cable) using a UL listed wire connector.
3. Connect the 2 red wires (G) together using a UL listed wire connector.
4. Install junction box cover.

## Install Microwave Oven

1. Using 2 or more people, lift microwave oven partially into cabinet cutout.  
**NOTE:** Push against seal area of microwave oven front frame when pushing microwave oven into cabinet. Do not push against outside edges.
2. Push against the front of the microwave oven to push oven into cabinet. Push microwave oven completely into cabinet and center in cabinet cutout.



3. Securely fasten microwave oven to cabinet using the 2 screws provided. Insert the screws through holes in mounting rails. Do not overtighten screws.



A. Two screws

4. Replace oven racks, turntable and support hub.
5. Reconnect power.
6. Display panel will light briefly, and "PF" should appear in the display.
7. If display panel does not light, please reference the "Assistance or Service" section of the Use and Care Guide or contact the dealer from whom you purchased your microwave oven.

## Complete Installation

1. Check that all parts are now installed. If there is an extra part, go back through the steps to see which step was skipped.
2. Check that you have all of your tools.
3. Dispose of/recycle all packaging materials.
4. For microwave oven use and cleaning, read the Use and Care Guide.

## Check Operation of Microwave Oven

1. Turn power on.
2. When "CLOCK ENTER TIME" appears in the display, press START/ADD A MINUTE.
3. Fill a microwave-safe container with 1 cup (250 mL) of water and place container inside microwave oven on the turntable. Close door firmly.
4. Touch START/ADD A MINUTE twice to set cooking time to "2:00" minutes. Microwave should begin cooking, interior light should be on, and the display should count down the remaining time.

### If microwave does not operate, check the following:

- Household fuse is intact and tight; or circuit breaker has not tripped.
- Electrical supply is connected;
- See "Troubleshooting" section in the Use and Care Guide.
- If an error code ("F" followed by a number plus "E" followed by a number) appears in the display, turn off the microwave oven and contact a qualified technician.

When the display reads "1:00" minute, open the microwave oven door. The microwave oven should stop cooking. Close door firmly. The interior microwave oven light should turn off.

5. Press START/ADD A MINUTE to resume preset cycle. Microwave should begin cooking, and the microwave oven interior light should be on.  
 Let microwave oven complete cooking time. A tone will sound 3 times at the end of the cooking time.
6. Open microwave oven door and slowly remove container. Water in container should be hot.

### If you need Assistance or Service:

Please reference the "Assistance or Service" section of the Use and Care Guide or contact the dealer from whom you purchased your built-in microwave oven.

# SÉCURITÉ DU FOUR À MICRO-ONDES ENCASTRÉ

## Votre sécurité et celle des autres est très importante.

Nous donnons de nombreux messages de sécurité importants dans ce manuel et sur votre appareil ménager. Assurez-vous de toujours lire tous les messages de sécurité et de vous y conformer.



Voici le symbole d'alerte de sécurité.

Ce symbole d'alerte de sécurité vous signale les dangers potentiels de décès et de blessures graves à vous et à d'autres.

Tous les messages de sécurité suivront le symbole d'alerte de sécurité et le mot "DANGER" ou "AVERTISSEMENT". Ces mots signifient :

**⚠ DANGER**

**Risque possible de décès ou de blessure grave si vous ne suivez pas immédiatement les instructions.**

**⚠ AVERTISSEMENT**

**Risque possible de décès ou de blessure grave si vous ne suivez pas les instructions.**

Tous les messages de sécurité vous diront quel est le danger potentiel et vous disent comment réduire le risque de blessure et ce qui peut se produire en cas de non-respect des instructions.

# EXIGENCES D'INSTALLATION

## Outillage et pièces

Rassembler les outils et pièces nécessaires avant de commencer l'installation. Lire et suivre les instructions fournies avec les outils indiqués ici.

### Outils nécessaires

- Tournevis Phillips
- Mètre ruban
- Niveau
- Perceuse manuelle ou électrique (pour l'installation dans un placard mural)
- Foret de 1" (25 mm) (pour l'installation dans un placard mural)

### Pièces nécessaires

- Un connecteur de conduit homologué UL ou CSA
- Des connecteurs de fils (homologation UL)

### Pièces fournies

- 2 vis

Consulter les codes locaux. Vérifier l'alimentation électrique existante. Voir "Spécifications électriques".

Toutes les connexions électriques doivent être effectuées par un électricien qualifié et certifié.

## Exigences d'emplacement

**IMPORTANT :** Observer les dispositions de tous les codes et règlements en vigueur.

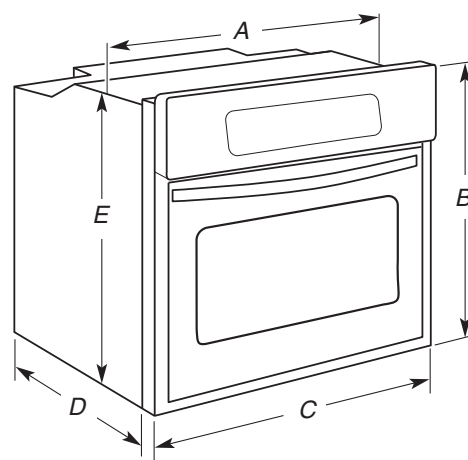
- Respecter les dimensions indiquées pour les ouvertures à découper dans les placards. Ces dimensions prennent en compte les dégagements de séparation nécessaires pour le four à micro-ondes.
- L'espace d'installation doit permettre la formation d'une enceinte complète autour de la partie encastrée du four à micro-ondes.
- Une source d'électricité avec liaison à la terre est nécessaire. Voir la section "Spécifications électriques".
- Le boîtier de raccordement doit être situé à moins de 3" (7,6 cm) au-dessous de la surface de support lorsque le four à micro-ondes est installé dans un placard mural. Percer un trou de diamètre 1" (2,5 cm) ou plus dans l'angle arrière gauche ou droit de la surface de support pour le passage du câble d'alimentation jusqu'au boîtier de connexion.

**REMARQUE :** Pour l'installation sous un plan de travail, on recommande que le boîtier de connexion soit situé dans le placard adjacent, à droite ou à gauche. Dans le cas de l'installation du boîtier de connexion sur le mur arrière, derrière le four à micro-ondes, le boîtier de connexion doit être encastré et placé dans l'angle inférieur ou supérieur du placard, à gauche ou à droite; sinon le four ne pourra pas passer dans l'ouverture destinée à le recevoir.

- La surface de support du four à micro-ondes doit être robuste, horizontale et en affleurement avec le bas de l'ouverture découpée dans le placard. Le plancher doit pouvoir supporter un poids de 110 lb (50,0 kg).

## Dimensions du produit

### Fours à micro-ondes de 27" (68,6 cm) et 30" (76,2 cm)



#### Modèles de 27" (68,6 cm)

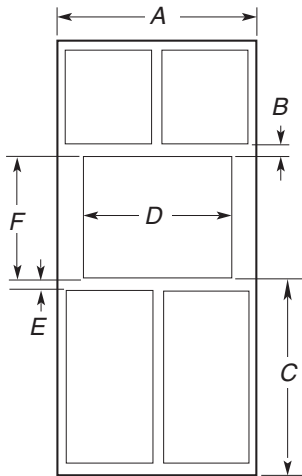
- A. Largeur de l'encastrement  $25\frac{5}{16}$ " (64,3 cm)
- B. Hauteur hors-tout  $20\frac{5}{16}$ " (51,6 cm)
- C. Largeur hors-tout  $26\frac{3}{4}$ " (67,9 cm)
- D. Profondeur de l'encastrement 23" (58,3 cm) max.
- E. Hauteur de l'encastrement  $18\frac{3}{4}$ " (47,6 cm)

#### Modèles de 30" (76,2 cm)

- A. Largeur de l'encastrement  $28\frac{5}{16}$ " (71,9 cm)
- B. Hauteur hors-tout  $20\frac{5}{16}$ " (51,6 cm)
- C. Largeur hors-tout  $29\frac{3}{4}$ " (75,6 cm)
- D. Profondeur de l'encastrement 23" (58,3 cm) max.
- E. Hauteur de l'encastrement  $18\frac{3}{4}$ " (47,6 cm)

## Dimensions du placard

Fours à micro-ondes de 27" (68,6 cm) et 30" (76,2 cm)



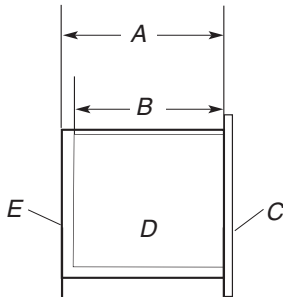
### Modèles de 27" (68,6 cm)

- A. Largeur du placard 27" (68,6 cm) min.
- B. 1" (2,5 cm) entre le sommet de l'ouverture et le bas de la porte du placard supérieur
- C. 40" (101,2 cm) entre le bas de l'ouverture et le plancher (recommandé)
- D. Largeur de l'ouverture 25 1/2" (64,8 cm)
- E. 1 1/2" (3,8 cm) min. entre le bas de l'ouverture et le haut de la porte du placard
- F. Hauteur de l'ouverture 19 7/16" (49,4 cm)

### Modèles de 30" (76,2 cm)

- A. Largeur du placard 30" (76,2 cm) min.
- B. 1" (2,5 cm) entre le sommet de l'ouverture et le bas de la porte du placard supérieur
- C. 40" (101,2 cm) entre le bas de l'ouverture et le plancher (recommandé)
- D. Largeur de l'ouverture 28 1/2" (72,4 cm)
- E. 1 1/2" (3,8 cm) min. entre le bas de l'ouverture et le haut de la porte du placard
- F. Hauteur de l'ouverture 19 7/16" (49,4 cm)

### Vue latérale du placard



- A. Profondeur de l'ouverture 23 1/4" (59,1 cm) min.
- B. Profondeur du four à micro-ondes encastré 23" (58,4 cm)
- C. Façade du four
- D. Four encastré
- E. Placard

## Spécifications électriques

### INSTRUCTIONS DE LIAISON À LA TERRE

#### Pour un four à micro-ondes raccordé en permanence :

Le four à micro-ondes doit être raccordé à un système de câblage permanent en métal relié à la terre, ou le câblage d'alimentation doit inclure un conducteur de liaison à la terre connecté à la borne ou à un fil de liaison à la terre sur le four à micro-ondes.

### CONSERVER CES INSTRUCTIONS

Si on utilise un conducteur distinct de liaison à la terre lorsque les codes le permettent, il est recommandé qu'un électricien qualifié vérifie que la liaison à la terre et le calibre pour fils sont conformes aux codes locaux.

En cas de doute quant à la qualité de la liaison à la terre du four à micro-ondes, consulter un électricien qualifié.

Ce four à micro-ondes doit être raccordé à un système permanent, métallique de câblage relié à la terre.

S'assurer que la connexion électrique et le calibre des fils sont appropriés et conformes au National Electrical Code, aux normes ANSI/NFPA 70 - dernière édition, ou aux normes CSA C22.1-94, au Code canadien de l'électricité, Partie 1 et C22.2 N° O-M91 - dernière édition, et à tous les codes et règlements locaux.

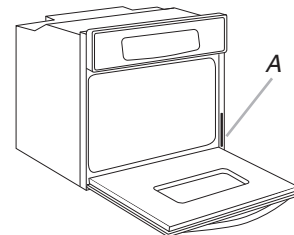
Pour obtenir un exemplaire de la norme des codes ci-dessus, contacter :

National Fire Protection Association  
One Batterymarch Park  
Quincy, MA 02269  
CSA International  
8501 East Pleasant Valley Road  
Cleveland, OH 44131-5575

### Raccordement électrique

Pour installer le four à micro-ondes correctement, il faut établir le type de raccords électriques que l'on utilisera et suivre les instructions indiquées ici.

- Le four à micro-ondes doit être alimenté par une source d'électricité appropriée (caractéristiques de tension et fréquence spécifiées sur la plaque signalétique). La plaque signalétique est située sur le côté droit du châssis du four à micro-ondes.



A. Plaque signalétique des numéros de modèle et de série



- Lorsqu'une alimentation électrique par un circuit monophasé de 120/208 V ou 120/240 V CA seulement, 60 Hz à 4 fils ou 3 fils, est disponible, un circuit séparé de 20 ampères maximum, fusionné aux deux extrémités de la ligne, est nécessaire.
- On recommande d'utiliser un fusible ou un disjoncteur temporisé.
- Raccorder l'appareil directement au tableau de distribution (fusible ou disjoncteur) par un câble à conducteur de cuivre et gaine non métallique flexible (avec conducteur de liaison à la terre). Voir la section "Raccordement électrique".
- Le câble flexible du four à micro-ondes doit être connecté directement dans le boîtier de connexion.
- Ne pas couper le conduit. La longueur du conduit fournie est destinée à faciliter l'entretien du four à micro-ondes.

- L'installateur doit fournir un connecteur de conduit (homologation UL ou CSA).
- Si le domicile est équipé d'un câblage en aluminium, suivre les instructions suivantes :
  1. Connecter une section de câble en cuivre massif aux conducteurs en queue de cochon.
  2. Connecter le câblage en aluminium à la section ajoutée de câblage en cuivre en utilisant des connecteurs et/ou des outils spécialement conçus et homologués UL pour fixer le cuivre à l'aluminium.

Appliquer la procédure recommandée par le fabricant des connecteurs. La connexion aluminium/cuivre doit être conforme aux codes locaux et aux pratiques de câblage acceptées par l'industrie.

## INSTRUCTIONS D'INSTALLATION

### Préparation du four à micro-ondes encastré

1. Repérer le câblage existant pour éviter de le percer ou de l'endommager lors de l'installation.

#### **⚠ AVERTISSEMENT**

##### Risque du poids excessif

Utiliser deux ou plus de personnes pour déplacer et installer le four à micro-ondes.

Le non-respect de cette instruction peut causer une blessure au dos ou d'autre blessure.

2. Pour éviter d'endommager le plancher, placer le four à micro-ondes sur une feuille de carton avant l'installation. Lors des opérations de levage, ne pas prendre prise sur la poignée ou sur une autre partie du châssis avant.
3. Retirer les matériaux d'emballage et les rubans adhésifs du four à micro-ondes.
4. Retirer et conserver à part les grilles et autres articles se trouvant à l'intérieur du four à micro-ondes.
5. Retirer le matériel à l'intérieur du sachet de documentation.
6. Approcher le four à micro-ondes et la feuille de carton de l'emplacement final du four à micro-ondes.

### Raccordement électrique

#### **⚠ AVERTISSEMENT**



##### Risque de choc électrique

Déconnecter la source de courant électrique avant d'entreprendre le travail.

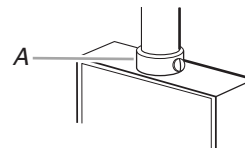
Utiliser du fil en cuivre de calibre 12.

Relier le four à la terre.

Le non-respect de ces instructions peut causer un décès, un incendie ou un choc électrique.

Le câblage d'alimentation de ce four à micro-ondes comporte un conducteur neutre (blanc) et un conducteur vert (ou nu) de liaison à la terre connecté à la caisse; ces deux conducteurs sont torsadés.

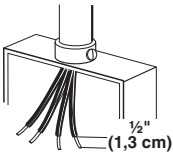
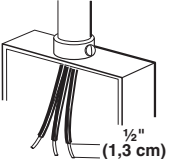
1. Déconnecter la source de courant électrique.
2. Faire passer le conduit de câble flexible depuis le four à micro-ondes jusqu'à l'espace d'installation dans le placard.
3. Le cas échéant, enlever le couvercle du boîtier de connexion.
4. Installer un connecteur de conduit (homologation UL ou CSA) sur le boîtier de connexion.



A. Connecteur de conduit (homologation UL ou CSA)

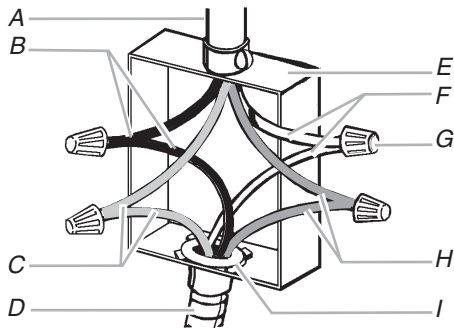
- Acheminer le conduit de câble flexible depuis le four jusqu'au boîtier de connexion - utiliser un connecteur de conduit (homologation UL ou CSA).
- Serrer les vis sur le connecteur de conduit.
- Voir "Tableau des options de raccordement électrique" pour terminer l'installation correspondant à votre type de raccordement électrique.

### Tableau des options de raccordement électrique

Câblage de la maison :	Voir la section :
4 conducteurs	Câble à 4 conducteurs depuis le point de distribution du domicile
	
3 conducteurs	Câble à 3 conducteurs depuis le point de distribution du domicile
	

### Câble à 4 conducteurs depuis le point de distribution du domicile

**IMPORTANT :** Utiliser le câble à 4 conducteurs provenant du point de distribution du domicile aux États-Unis lorsque les codes ne permettent pas la mise à la terre par l'intermédiaire du conducteur neutre, en cas de nouvelle installation avec alimentation par un circuit secondaire (1996 NEC), dans les résidences mobiles et les véhicules récréatifs, dans les nouvelles constructions, et au Canada.



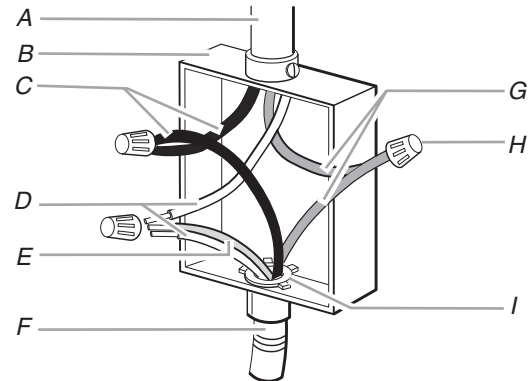
- |  |   |
|--|---|
| A. Câble depuis le point de distribution du domicile           | F. Conducteurs blancs                               |
| B. Conducteurs noirs   | G. Connecteurs de fils (homologation UL)            |
| C. Conducteurs rouges  | H. Conducteurs verts (ou nus) de liaison à la terre |
| D. Câble flexible à 4 conducteurs depuis le four à micro-ondes | I. Connecteur de conduit (homologation UL ou CSA)   |
| E. Boîtier de connexion  |   |

- Connecter ensemble les 2 conducteurs noirs (B) avec un connecteur de fils (homologation UL).
- Connecter ensemble les 2 conducteurs rouges (C) avec un connecteur de fils (homologation UL).

- Détorsader le conducteur blanc du conducteur vert (ou nu) de liaison à terre provenant du four à micro-ondes.
- Connecter ensemble les 2 conducteurs blancs (F) avec un connecteur de fils (homologation UL).
- Connecter le conducteur vert (ou nu) de liaison à la terre (H) du câble du four à micro-ondes au conducteur vert (ou nu) de liaison à la terre dans le boîtier de connexion - utiliser un connecteur de fils (homologation UL).
- Installer le couvercle du boîtier de connexion.

### Câble à 3 conducteurs depuis le point de distribution du domicile - É.-U. seulement

**IMPORTANT :** Utiliser le câble à 3 conducteurs depuis le point de distribution du domicile lorsque les codes locaux autorisent un tel raccordement.



- |   |  |
|---|--|
| A. Câble depuis le point de distribution du domicile                            | F. Câble flexible à 4 conducteurs depuis le four à micro-ondes |
| B. Boîtier de connexion   | G. Conducteurs rouges  |
| C. Conducteurs noirs  | H. Connecteurs de fils (homologation UL)                       |
| D. Conducteurs blancs   | I. Connecteur de conduit (homologation UL ou CSA)              |
| E. Conducteur vert (ou nu) de liaison à la terre (depuis le four à micro-ondes) |  |

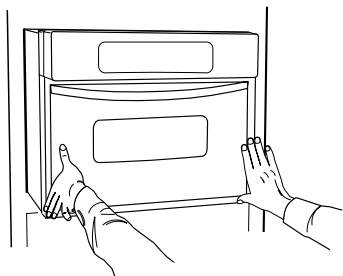
- Connecter ensemble les 2 conducteurs noirs (C) avec un connecteur de fils (homologation UL).
- Connecter les 2 conducteurs blancs (D) et le conducteur vert ou nu de liaison à la terre (du câble du four à micro-ondes) avec un connecteur de fils (homologation UL).
- Connecter ensemble les 2 conducteurs rouges (G) avec un connecteur de fils (homologation UL).
- Installer le couvercle du boîtier de connexion.

## Installation du four à micro-ondes

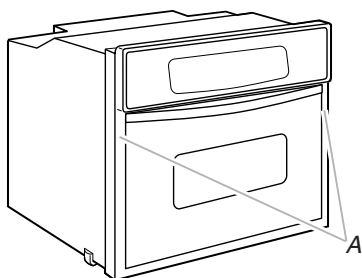
1. À l'aide de 2 personnes ou plus, soulever partiellement le four à micro-ondes dans l'ouverture du placard.

**REMARQUE :** Pousser le four à micro-ondes pour l'introduire dans le placard en poussant contre la zone du joint du four sur le châssis avant. Ne pas pousser contre les bords externes.

2. Pousser contre l'avant du four à micro-ondes pour introduire le four dans le placard. Pousser complètement le four à micro-ondes dans le placard et le centrer dans la cavité du placard.



3. Fixer solidement le four à micro-ondes au placard à l'aide des 2 vis fournies. Insérer les vis à travers les trous des rails de montage. Ne pas serrer excessivement les vis.



A. Deux vis

4. Réinstaller les grilles du four, le plateau rotatif et l'axe de support.
5. Reconnecter la source de courant électrique.
6. Le tableau d'affichage s'allume brièvement et "PF" doit s'afficher.
7. Si le tableau d'affichage ne s'allume pas, consulter la section "Assistance ou service" du Guide d'utilisation et d'entretien ou contacter le marchand qui vous a vendu le four à micro-ondes.

## Achever l'installation

1. Vérifier que toutes les pièces sont maintenant installées. S'il reste une pièce, passer en revue les différentes étapes pour découvrir laquelle aurait été oubliée.
2. Vérifier la présence de tous les outils.
3. Jeter/recycler tous les matériaux d'emballage.
4. Pour l'utilisation et le nettoyage du four à micro-ondes, lire le Guide d'utilisation et d'entretien.

### Vérification du fonctionnement du four à micro-ondes

1. Mettre l'appareil sous tension.
2. Lorsque "CLOCK ENTER TIME" s'affiche, appuyer sur START/ADD A MINUTE.
3. Remplir un contenant adapté aux micro-ondes avec 1 tasse (250 mL) d'eau et placer le contenant dans le four à micro-ondes, sur le plateau rotatif. Bien fermer la porte.
4. Appuyer deux fois sur START/ADD A MINUTE pour régler une durée de cuisson de "2:00" minutes. La cuisson doit débuter dans le four à micro-ondes, la lampe intérieure doit être allumée et le compte à rebours de la durée restante doit s'afficher.

#### Si le four à micro-ondes ne fonctionne pas, contrôler ce qui suit :

- Fusible grillé ou desserré Disjoncteur ouvert?
- Prise de courant correctement alimentée?
- Voir la section "Dépannage" dans le Guide d'utilisation et d'entretien.
- Si un code d'anomalie ("F" suivi d'un chiffre plus "E" suivi d'un chiffre) apparaît sur l'afficheur, interrompre l'alimentation du four à micro-ondes et contacter un technicien qualifié.

Lorsque l'afficheur indique "1:00" minute, ouvrir la porte du four à micro-ondes. La cuisson du four à micro-ondes doit s'arrêter. Bien fermer la porte. La lampe intérieure du four à micro-ondes doit s'éteindre.

5. Appuyer sur START/ADD A MINUTE pour reprendre le programme programmé. La cuisson doit débuter dans le four à micro-ondes et la lampe intérieure du four à micro-ondes doit être allumée.  
Laisser le four à micro-ondes terminer la durée de cuisson. Un signal sonore sera émis 3 fois à la fin de la durée de cuisson.
6. Ouvrir la porte du four à micro-ondes et retirer lentement le contenant. L'eau dans le contenant doit être chaude.

#### Si vous avez besoin d'assistance ou de service :

Consulter la section "Assistance ou service" du Guide d'utilisation et d'entretien ou contacter le marchand chez qui le four à micro-ondes a été acheté.

**8304424A**

© 2007 Whirlpool Corporation.  
All rights reserved.  
Tous droits réservés.

2/07  
Printed in U.S.A.  
Imprimé aux É.-U.