

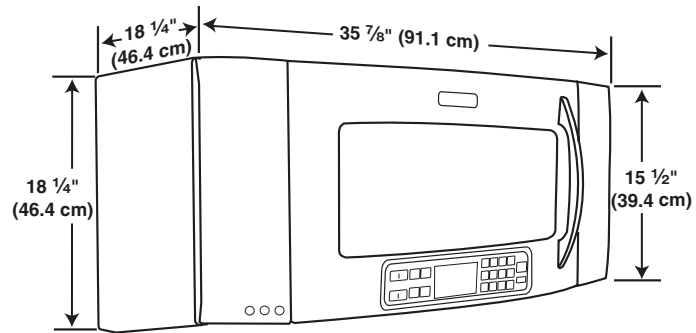
KitchenAid® Above-the-Counter Microwave Oven

PRODUCT MODEL NUMBERS

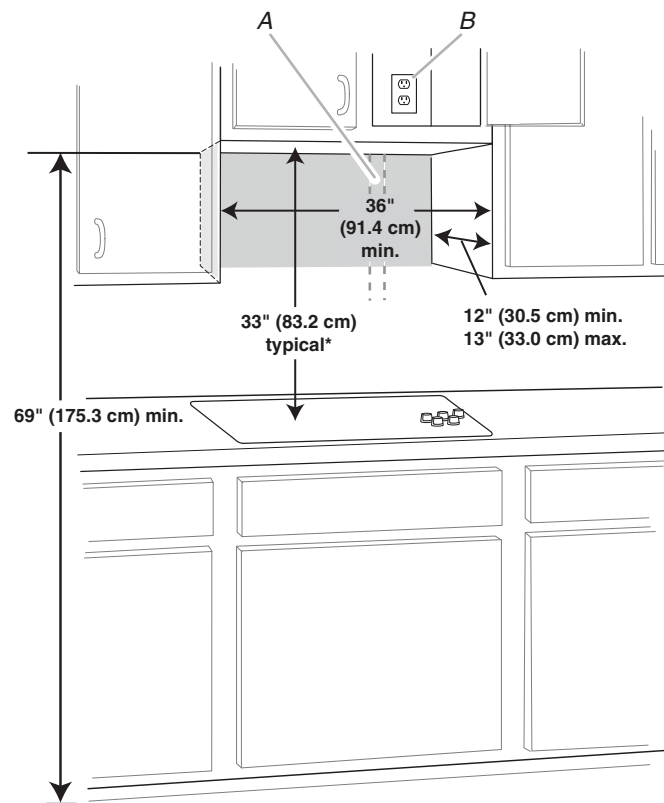
KHMS2056S

Electrical: A 120-volt, 60-Hz, AC-only, 15- or 20-amp electrical supply located in the upper cabinet as close as possible to the microwave oven. A time-delay fuse or circuit breaker and separate circuit is recommended.

OVERALL DIMENSIONS



CABINET OPENING DIMENSIONS



A. 2" x 4" wall stud
B. Grounded 3 prong outlet

*33" (83.2 cm) is typical for 69" (175.3 cm) installation height. Exact dimension may vary depending on type of range/cooktop below.