

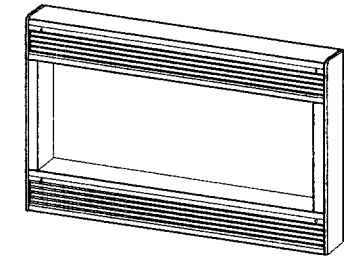
BUILT-IN TRIM KIT INSTALLATION INSTRUCTION

(KEEP FOR FURTHER REFERENCE)

FOR WHIRLPOOL TRIM-KIT MODELS: MK1197XH, MK1190XH

- FOR USE WITH WHIRLPOOL MICROWAVE OVEN MODELS : MT1195SG, GT1196SH, GT1195SH, MT3185SH, 89990, 89999, 89998, (Y)KCMS185J, MT2210SJ
- UL LISTED - FOR USE OVER ELECTRIC HEAT SOURCE
 (INCLUDING MODELS - 27": (Y)RBS275PD, (Y)GBS277PD, KEBI171D, (Y)KEBS177D
 - 30": (Y)RBS305PD, GBS307PD, (Y)KEBI101D, (Y)KEBS107D)

PARTS LIST



Trim Kit



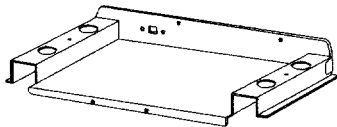
1" Screws
(4 Req'd 2 Extra)



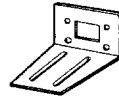
1/2" Screws
(11 Req'd 2 Extra)



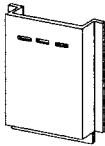
Anti-Tip
Bracket (1)



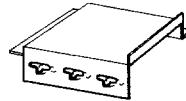
Bottom Duct (1)



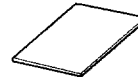
Bottom
Bracket (1)



Side Duct (1)



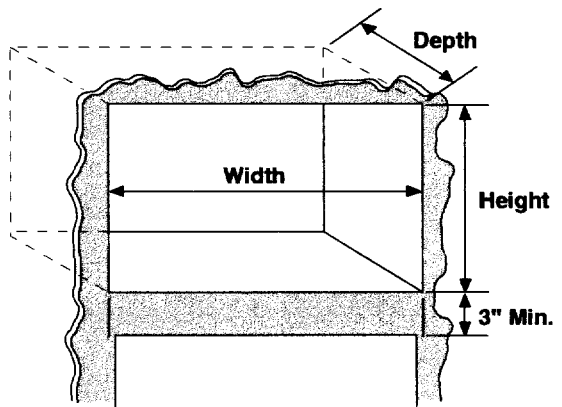
Upper Duct (1)



Template (1)

CUTOUT DIMENSIONS

	27"	30"
Height	16 ³ / ₄ "	
Width	25 ¹ / ₂ "	25 ¹ / ₂ " (min.), 28 ¹ / ₂ " (max.)
Depth (min.)	21 " with flush mount receptacle. (22 ³ / ₄ " if non-flush receptacle is used)	



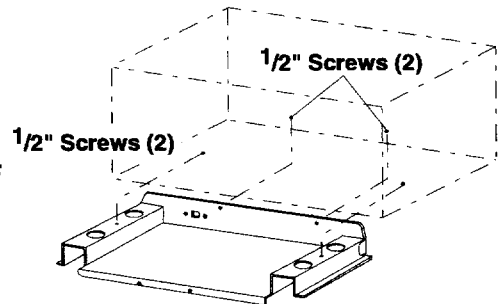
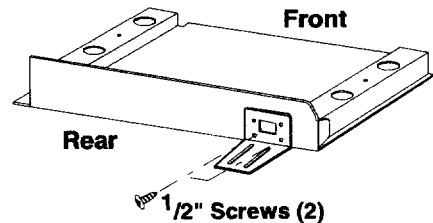
STEP 1



⚠ WARNING

Electrical Shock Hazard
Disconnect power before installing trim kit.
Replace all panels before operating.
Failure to do so can result in death or electrical shock.

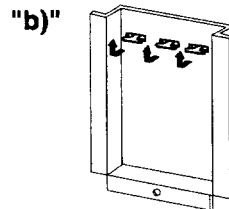
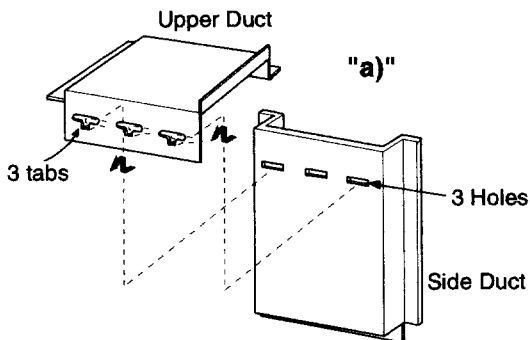
1. Disconnect the microwave oven before proceeding with installation.
2. Remove any loose items inside the microwave oven.
3. Fasten the bottom bracket to the bottom duct by using two 1/2" screws.
4. Install bottom duct with four 1/2" screws as shown.



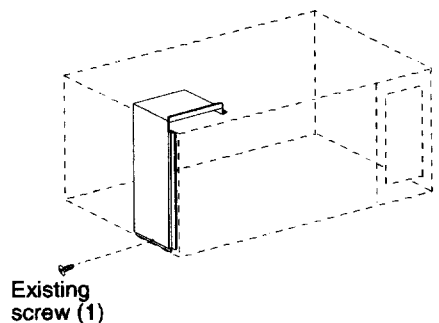
**FRONT VIEW OF
MICROWAVE**

STEP 2

1. Remove the one existing screw from the left side of the microwave oven.
 2. Connect the side duct to upper duct as shown.
 - a) Insert projecting tabs of upper duct into holes of side duct.
 - b) Bend tabs up as shown.
- NOTE:** Remove any oil or dirt on surface of microwave oven before ducts are attached.

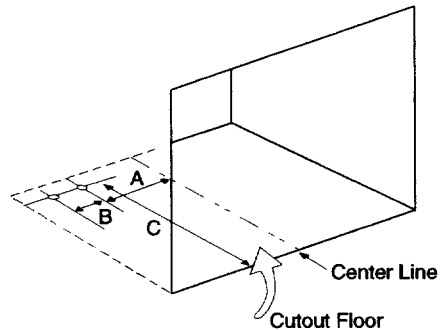


3. Peel off the backing of double sided tape. Attach the side duct and upper duct assembly on the microwave cabinet. Press down firmly on ducts. Fasten duct assembly to left side of cabinet with one existing screw.



STEP 3

1. On the cutout floor, mark hole centers for the anti-tip brackets as shown using the supplied template. Be sure to align the center line of template to center line of cutout floor.
2. Drill two holes for anti-tip bracket.
(use 7/64" drill or #35 drill)
3. Install anti-tip bracket onto cutout floor using two 1/2" screws.

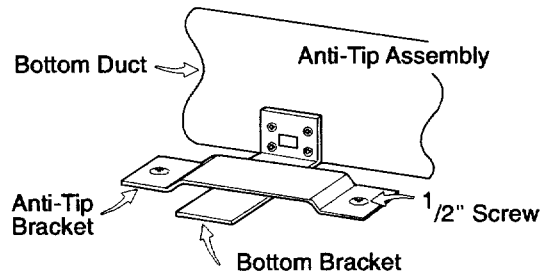


DIMENSIONS:

$$A = 4 \frac{1}{4} \text{ ''}$$

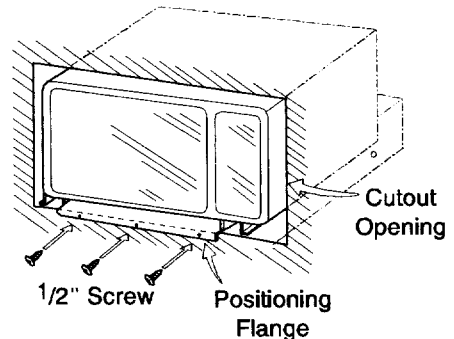
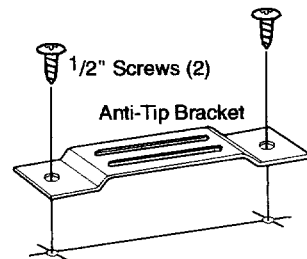
$$B = 3 \text{ ''}$$

$$C = 18 \frac{3}{16} \text{ ''}$$



STEP 4

1. Slide microwave oven part way into cabinet opening.
(Bottom brackets must be flat to the cutout floor to engage correctly with anti-tip brackets as shown)
2. Plug in the microwave oven.
3. **Center** the microwave oven within the cut-out opening and slide the microwave oven in place, engaging the anti-tip brackets.
(Ensure the microwave oven is **accurately centered**)
4. Drill pilot holes (use 7/64" drill or #35 drill) through the positioning flange and then install three 1/2" screws at the front of the bottom duct as shown.



STEP 5

1. Place the trim kit frame over the microwave oven.
Important Note : Trim kit frame orientation is important. Orient the frame so that louvers are sloping downward to the front. (See Figure Detail A).
2. Make sure the trim kit is level and centered with respect to microwave oven. Mark four hole centers through the four mounting holes of the trim kit.
NOTE: Center the trim kit frame equally on all four sides.
3. Remove the trim kit and drill four pilot holes.
(use 7/64" drill or #35 drill)
4. Attach the trim kit frame by using four 1" screws.
Make sure that the orientation is correct as stated above.

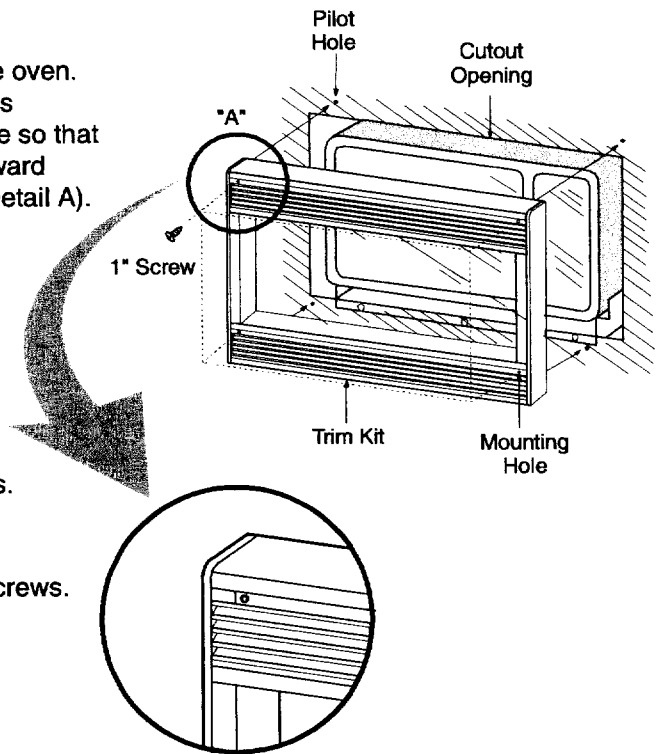


Figure Detail of "A"

STEP 6

1. Your trim kit is now fully installed. Replace any loose items that have been removed from inside microwave oven.
2. Please keep this installation instruction for future reference.