



**WELCOME
TO A NEW ERA
FOR KITCHENS**

MAJOR APPLIANCE CATALOG

REVISED AUGUST 2015



INTRODUCING THE
FIRST KITCHEN TO
CREATE THE INCREDIBLE,
STIR UP JOY AND
ELEVATE EXPECTATIONS.

KitchenAid® has just reimagined what a cook's kitchen can be. From the superior performance that enhances everything you cook to a design that elevates the look, it marks the beginning of a new era for kitchens.

Because when you can expect the incredible,
there's so much more to make.



NAPA VALLEY



MID-ATLANTIC LOFT



EAST COAST CONTEMPORARY



RECLAIMED



A COMING OF AGE IN KITCHEN DESIGN

The redesigned new line of KitchenAid® Appliances boldly blends professionally-inspired styling with sleek touches for the home. Every thoughtful detail combines beauty with superior functionality, from the secure grip on the Satin Texture Handles to the KitchenAid Brand Medallions that speak to our craftsmanship. Our appliances were designed with one simple purpose, to inspire your next dish.



CONTENTS

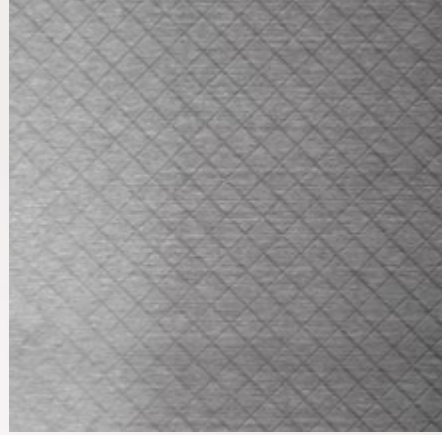




CHEFS CHOOSE
KITCHENAID FOR THEIR
HOMES MORE THAN ANY
OTHER BRAND*

*Based on a 2014 survey, KitchenAid was found to be the home kitchen appliance brand chosen most often by chefs of the International Association of Culinary Professionals and/or the American Culinary Federation when asked about major home appliances, small cooking appliances and gadgets.

COOKING



COOKING

What drives a creative cook? That's the question we asked professional chefs, passionate home cooks and design experts from across the globe to answer. We used them as the inspiration when crafting our cooking appliances into something much more than just machines. We created the first line of cooking appliances to stir emotion.





WALL OVENS



BUILT-IN WALL OVENS AT A GLANCE

EASYCONNECT™ CONVERSION SYSTEM

takes the guesswork out of convection cooking by ensuring exceptional results when experimenting with new recipes or familiar favorites (select models).



PRECISION TOUCH CONTROLS

offer exceptionally modern easy-to-use displays that put sophisticated functions right at hand.



SATIN TEXTURED HANDLES

are inspired by professional kitchens. The sturdy bar handle shape, sleek chrome caps and easy-to-clean, satin cross-hatch texture combine high-style with a secure grip.



KITCHENAID® BADGE

puts our bold emblem on every appliance, with thoughtful details like polished edges and recessed letters.

SELF-CLEANING CYCLE

uses high temperature to power through soils in the oven cavity, requiring only a quick wipe down at the end of the cycle.



CHROME INLAID FRAME

creates a beautifully finished transition by adding a chrome accent between glass and brushed metal surfaces (select models).

■ SIZE AND CONFIGURATION OPTIONS



DOUBLE WALL OVEN

Double wall ovens provide the flexibility to cook dishes at different temperatures simultaneously.

30-INCH
27-INCH
24-INCH



COMBINATION MICROWAVE WALL OVEN

Combination microwave wall ovens feature an upper microwave oven and full-size lower oven.

30-INCH
27-INCH

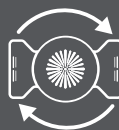


SINGLE WALL OVEN

Single wall ovens offer versatile installation options—in a wall, a cabinet or under a counter.

30-INCH
27-INCH
24-INCH

■ PERFORMANCE LEVELS



EVEN-HEAT™ TRUE CONVECTION

This feature produces flawless results. The unique bow-tie design with dedicated heating element and convection fan ensure the inside of the entire oven is heated to, and stays at, the perfect temperature.



TRUE CONVECTION

A specially designed heating element helps provide even temperature management. The fan draws air in, past the heating element, and back into the oven.



EVEN-HEAT™ OVENS WITH THERMAL BAKE/BROIL

This feature cycles the bake and broil elements to maintain the perfect temperature for baking, broiling and roasting.

■ INSTALLATION OPTIONS



NEW TO BUILT-IN WALL OVENS: FLUSH CABINET INSTALLATION

Single and double wall ovens with the FIT System help create a seamless fit inside an existing cabinet cutout of compatible width and configuration.



UNDERCOUNTER INSTALLATION

Installing a single wall oven under the counter helps maximize counter and cabinet space in the kitchen.

COMPLEMENTARY PRODUCT PAIRINGS



WALL OVEN ABOVE A WARMING DRAWER

Installing a warming drawer beneath a wall oven adds flexibility to meal preparation. Take finished dishes right from the oven to the warming drawer to keep them warm until they are ready to be served.



SINGLE WALL OVEN BELOW A COOKTOP

Our single wall ovens can be installed below many KitchenAid® Cooktops. This design conveniently brings cooking appliances together in one area of the kitchen.

■ DOUBLE WALL OVENS

■ DOUBLE WALL OVENS (CONTINUED)

■ COMBINATION MICROWAVE WALL OVENS

■ SINGLE WALL OVENS

DOUBLE WALL OVENS

MODEL NO.				
PERFORMANCE				
Even-Heat™ Technology	•	•	•	—
Even-Heat™ Preheat	•	•	•	—
Even-Heat™ True Convection System	•	Upper	—	—
True Convection	•	—	—	Upper
EasyConvect™ Conversion System	•	Upper	—	Upper
Convect Bake, Roast and Broil	•	Upper	—	Upper
Closed-Door Thermal Broil	•	•	•	with Maxi and Econo Settings
Broil Element	8-Pass	8-Pass	8-Pass	6-Pass
Self-Cleaning System	•	•	•	•
Temperature Probe	Fits Either Oven	Upper	—	Fits Either Oven
Sabbath Mode/Star-K Certified	•	•	•	•
CleanBake™ Hidden Element	•	•	•	•
Capacity (Cu. Ft.) – Each Oven	5.0 (KODE500E) 4.3 (KODE507E)	5.0 (KODE300E) 4.3 (KODE307E)	5.0 (KODT100E) 4.3 (KODT107E)	3.1

CRAFTSMANSHIP				
Controls	Glass-Touch Display with Control Lock Function	Glass-Touch Display with Control Lock Function	Glass-Touch Display with Control Lock Function	Electronic Controls with Control Lock Function
Control Lights	White	White	White	White
SatinGlide™ Roll-Out Extension Rack with Handle	1 – Upper 1 – Lower	1 – Upper	—	—
Standard Racks	2 – Upper/2 – Lower	2 – Upper/2 – Lower	2 – Upper/2 – Lower	3 – Upper/2 – Lower
Halogen Lights	2 – Upper/2 – Lower	2 – Upper/2 – Lower	2 – Upper/2 – Lower	2 – Upper/2 – Lower
Blue Porcelain-Enameled Cavity	•	•	•	—
Frameless Design	•	•	•	—
FIT System Installation	Included	Included	Included	—

ACCESSORY (PART NO.)				
Flush Install Kit Stainless Steel	W10752683 (KODE500E) W10752686 (KODE507E)	W10752683 (KODE300E) W10752686 (KODE307E)	W10752683 (KODT100E) W10752686 (KODT107E)	—
Black	W10752681 (KODE500E) W10752685 (KODE507E)	—	—	—
White	W10752680 (KODE500E) W10752684 (KODE507E)	—	—	—

SPECIFICATIONS				
Element Ratings (Watts) Bake	2800	2800	2800	2000
Broil (Full/Center)	4000	4000	4000	3600
Convection	3200	3200	—	1600 – Upper
Volts (Amps) Required	208/240 (40)	208/240 (40)	208/240 (40)	208/240 (40)
Color Availability*	SS, BL, WH	SS	SS	SS, BL, WH

*SS = Stainless Steel, BL = Black, WH = White

COMBINATION MICROWAVE WALL OVEN

MODEL NO.	
UPPER OVEN – PERFORMANCE	
Convection Cooking	•
EasyConvect™ Conversion System	•
Microwave Power (Watts)	900
Grill Element (Watts)	1600
Custom Defrost and Reheat Cycles	•
Soften and Melt Cycles	•
Sensor Steam Cook Cycle with Steam Container	•
Crispwave™ Microwave Technology and Crisper Pan	•
Capacity (Cu. Ft.)	1.4
UPPER OVEN – CRAFTSMANSHIP	
Control Lights	White
Drop-Down Door	•
Stainless Steel Cavity	•
Convection/Baking Rack	•
LOWER OVEN – PERFORMANCE	
Even-Heat™ Technology	•
Even-Heat™ Preheat	•
Even-Heat™ True Convection System	•
EasyConvect™ Conversion System	•
Convect Bake, Roast and Broil	•
Closed-Door Thermal Broil	•
Broil Element	8-Pass
Self-Cleaning System	•
Temperature Probe	•
Sabbath Mode/Star-K Certified	•
CleanBake™ Hidden Element	•
Capacity (Cu. Ft.)	5.0 (KOCE500E), 4.3 (KOCE507E)
LOWER OVEN – CRAFTSMANSHIP	
Glass-Touch Display with Control Lock Function	•
Control Lights	White
SatinGlide™ Roll-Out Extension Rack with Handle	1
Halogen Lights	2
Blue Porcelain-Enameled Cavity	•
Frameless Design	•
ACCESSORY (PART NO.)	
Flush Install Kit Stainless Steel	W10752693 (KOCE500E), W10752696 (KOCE507E)
Black	W10752688 (KOCE500E), W10752695 (KOCE507E)
White	W10752687 (KOCE500E), W10752694 (KOCE507E)
SPECIFICATIONS	
Element Ratings (Watts)	
Bake	2800
Broil (Full/Center)	4000
Convection	3200
Volts (Amps) Required	208/240 (40)
Color Availability*	SS, BL, WH

*SS = Stainless Steel, BL = Black, WH = White

SINGLE WALL OVENS

MODEL NO.

PERFORMANCE

Even-Heat™ Technology	•	•	—
Even-Heat™ Preheat	•	•	—
Even-Heat™ True Convection System	•	—	—
True Convection	—	—	•
EasyConvect™ Conversion System	•	—	•
Convect Bake, Roast and Broil	•	—	•
Closed-Door Thermal Broil	•	•	with Maxi and Econo Settings
Broil Element	8-Pass	8-Pass	6-Pass
Self-Cleaning System	•	•	•
Temperature Probe	•	—	•
Sabbath Mode/Star-K Certified	•	•	•
CleanBake™ Hidden Element	•	•	•
Capacity (Cu. Ft.)	5.0 (KOSE500E) 4.3 (KOSE507E)	5.0 (KOST100E) 4.3 (KOST107E)	3.1

CRAFTSMANSHIP

Controls	Glass-Touch Display with Control Lock Function	Glass-Touch Display with Control Lock Function	Electronic Controls with Control Lock Function
Control Lights	White	White	White
SatinGlide™ Roll-Out Extension Rack with Handle	1	—	—
Standard Racks	—	—	3
Halogen Lights	2	2	2
Blue Porcelain-Enameled Cavity	•	•	—
Frameless Design	•	•	—
Undercounter Installation	•	•	•
FIT System Installation	Included	Included	—

ACCESSORY (PART NO.)

Flush Install Kit Stainless Steel	W10752683 (KOSE500E) W10752686 (KOSE507E)	W10752683 (KOST100E) W10752686 (KOST107E)	—
Black	W10752681 (KOSE500E) W10752685 (KOSE507E)	—	—
White	W10752680 (KOSE500E) W10752684 (KOSE507E)	—	—

SPECIFICATIONS

Element Ratings (Watts)			
Bake	2800	2800	2000
Broil (Full/Center)	4000	4000	3600
Convection	3200	—	1600
Volts (Amps) Required	208/240 (20)	208/240 (20)	208/240 (20)
Color Availability*	SS, BL, WH	SS	SS

*SS = Stainless Steel, BL = Black, WH = White



COOKTOPS

COOKTOPS AT A GLANCE

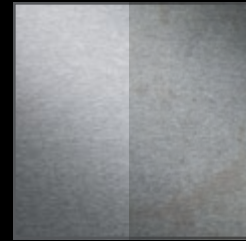
EVEN-HEAT™ SIMMER BURNER

uses a diffuser plate to allow more control of the flame at the lowest setting, for more precise simmering and melting.



FULL-WIDTH CAST-IRON GRATES

enhance the beautiful look of the cooktop and allow easy movement of cookware around the entire cooking surface.



COOKSHIELD FINISH

protects the cooktop from stains that may occur with high-temperature cooking (select models).



MULTI-FINISHED KNOBS

feature a brushed metal surface offset by sleek chrome and a satin cross-hatch texture for a high-style, non-slip touch. Even more precision is provided by the bladed dial (also available back-lit on select models).

PROFESSIONAL DUAL RING BURNER

allows you to go from one small flame for precise simmering to a dual flame for powerful boiling, all on the same burner (select models).

OR

MULTIFLAME BURNER

works as an all-purpose professional burner, providing the ability to use both high- and low-temperature cooking methods so you can go from a boil to a simmer without changing burners (not pictured, select models).



EVEN-HEAT™ TORCH BURNER

features an exclusive design that provides a small flame for delicate simmering and a larger one that distributes high heat across the whole pan for more even cooking.

■ SIZE AND CONFIGURATION OPTIONS



GAS COOKTOPS

36-INCH WITH 5 BURNERS
30-INCH WITH 4 OR 5 BURNERS
30-INCH WITH DOWNDRAFT



INDUCTION COOKTOPS

36-INCH WITH 5 ELEMENTS
30-INCH WITH 4 OR 5 ELEMENTS



ELECTRIC COOKTOPS

36-INCH WITH 5 ELEMENTS
36-INCH WITH DOWNDRAFT
30-INCH WITH 4 OR 5 ELEMENTS
30-INCH WITH DOWNDRAFT
15-INCH WITH 2 ELEMENTS

DOWNDRAFT

Instead of requiring an overhead vent, gas and electric cooktops with a built-in downdraft ventilation system draw smoke, steam, and odors directly from the cooktop, then out of the kitchen through ductwork in the cabinet below.

■ COOKING STYLES



GAS

Gas cooktops feature either four or five burners in 36- or 30-inch widths. All of these models include burners with a variety of heat outputs. Easily accomplish any task—from melting and simmering to stir-frying and sautéing—and move cookware between burners effortlessly on full-width, cast-iron grates.



INDUCTION

Induction technology generates heat directly in magnetic cookware, making the cookware the heat source instead of a burner or element. This provides precise, responsive heating and cooling similar to a gas cooktop with a smooth ceramic-glass surface that allows for effortless cleanup.



ELECTRIC

KitchenAid® Electric Cooktops with Even-Heat™ Technology feature energy-efficient elements that ensure a consistent level of heat for exceptional boiling, simmering and melting. Triple- and/or double-ring elements allow cooks the versatility to select the appropriate element based on cookware size. In addition to exceptional performance, KitchenAid is one of the only brands to feature die-cast knobs on select models.

■ GAS COOKTOPS SURFACE STYLING OPTIONS



STAINLESS STEEL WITH CAST-IRON GRATES

Move cookware between burners easily on the full-width cast-iron grates that accent this attractive surface. Their durable, heavy-duty construction ensures a lasting beauty, meal after meal.



GAS-ON-GLASS

Found on select gas cooktops, the sleek gas-on-glass surface matches any kitchen décor and is exceptionally easy to clean. (Black option shown. White option available on select models.)

■ ELECTRIC AND INDUCTION COOKTOPS SURFACE STYLING OPTIONS



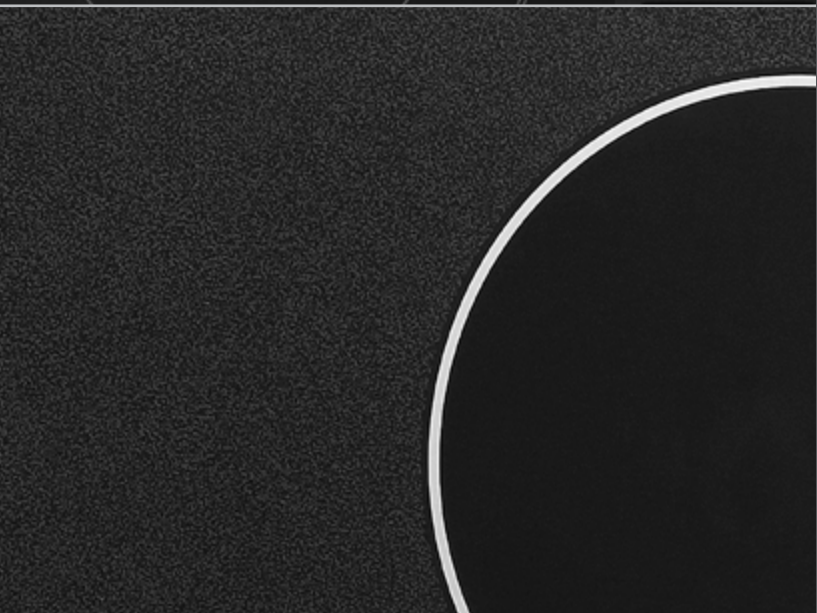
PREMIUM SURFACE WITH WATERMARK

Our induction and electric cooktops feature an attractive watermark pattern that adds to the elegance of the sleek, easy-to-clean, ceramic-glass surface. 36- and 30-inch models feature either die-cast metal control knobs or touch-activated controls.



PURE COLOR

This surface, found on select electric cooktops, comes in saturated colors with stainless steel control knobs for a sophisticated appearance.



TRADITIONAL

Traditional electric cooktops feature metal control knobs that accent the speckled black, ceramic-glass surface.

■ GAS COOKTOPS – 36-INCH

■ GAS COOKTOPS – 36-INCH & 30-INCH
(CONTINUED)

■ GAS COOKTOPS – 30-INCH (CONTINUED)

■ ELECTRIC COOKTOPS – 36-INCH

■ ELECTRIC COOKTOPS – 30-INCH & 15-INCH

■ INDUCTION COOKTOPS – 36-INCH & 30-INCH

GAS COOKTOPS – 36-INCH

MODEL NO.				
PERFORMANCE				
Sealed Burners (BTUs)	5	5	5	5
Professional Burner	20K Dual Ring 10K Even-Heat™ Torch	20K Dual Ring	19K Multiflame	17K
Simmer Burner(s)*	6K	6K	5K	6K (2)
Standard Burners	12K, 7K	10K (2), 7K	12K, 9.1K (2)	12.5K, 9K
Electronic Ignition	•	•	•	•
Automatic Reignition	•	•	—	—
CRAFTSMANSHIP				
Surface	Stainless Steel	Stainless Steel	Stainless Steel	Gas-On-Glass
Full-Width Cast-Iron Grates	•	•	•	•
CookShield Finish	•	•	•	•
Cooktop Controls	Multi-Finish Knobs	Multi-Finish Knobs	Multi-Finish Knobs	Multi-Finish Knobs
Hot-Surface Indicator	•	—	—	—
Control Lock Function	•	—	—	—
SPECIFICATIONS				
Volts (Amps) Required	120 (15)	120 (15)	120 (15)	120 (15)
LP Conversion Kit Included**	•	•	•	•
Color Availability†	SS	SS	SS	BL

*Can be reduced to 600 BTUs.

**Manufactured for use with natural gas. To convert to LP, see Installation Instructions packed with product.

†SS = Stainless Steel with Matte Black Grates, BL = Black with Matte Black Grates

GAS COOKTOPS – 30-INCH

MODEL NO.				
PERFORMANCE				
Sealed Burners (BTUs)	5	5	5	4
Professional Burner(s)	17K Dual Ring 10K Even-Heat™ Torch	17K Dual Ring	17K Multiflame	17K
Simmer Burner*	6K	6K	5K	6K
Standard Burners	12K, 7K	10K (2), 7K	12K, 10K, 9.1K	12.5K, 9K
Electronic Ignition	•	•	•	•
Automatic Reignition	•	•	—	—
CRAFTSMANSHIP				
Surface	Stainless Steel	Stainless Steel	Stainless Steel	Gas-On-Glass
Full-Width Cast-Iron Grates	Low Profile	Low Profile	•	•
CookShield Finish	•	•	•	•
Cooktop Controls	Multi-Finish Knobs	Multi-Finish Knobs	Multi-Finish Knobs	Multi-Finish Knobs
Hot-Surface Indicator	•	—	—	—
Control Lock Function	•	—	—	—
SPECIFICATIONS				
Volts (Amps) Required	120 (15)	120 (15)	120 (15)	120 (15)
LP Conversion Kit Included**	•	•	•	•
Color Availability†	SS	SS	SS	BL, WW

*Can be reduced to 600 BTUs.

**Manufactured for use with natural gas. To convert to LP, see Installation Instructions packed with product.

†SS = Stainless Steel with Matte Black Grates, BL = Black with Matte Black Grates, WW = White with Grey Grates

DOWNDRAFT COOKTOPS – 36-INCH & 30-INCH

	Gas	Electric	
MODEL NO.			
PERFORMANCE			
Sealed Burners (BTUs)	4	—	—
Professional Burner	15K	—	—
Simmer Burner*	5K	—	—
Radiant Elements (Watts)	—	5	4
Double-Ring Round	—	2700/2000 2200/1000 2200/1000	3000/1400 2200/1000
Warm Zone	—	100	—
Built-In Downdraft Ventilation System	•	•	•
Exhaust Rating	325 CFM	400 CFM	400 CFM
Fan Control	2-Speed	3-Speed	3-Speed
Electronic Ignition and Automatic Reignition	•	—	—
Power-On Light	—	•	•
Hot-Surface Indicator	—	•	•
CRAFTSMANSHIP			
Surface	Gas-On-Glass	Ceramic-Glass	Ceramic-Glass
Full-Width Cast-Iron Grates with Gloss Finish	•	—	—
Cooktop Controls	Multi-Finish Knobs	Multi-Finish Knobs	Multi-Finish Knobs
SPECIFICATIONS			
Volts (Amps) Required	120 (20)	240 (40)	240 (40)
LP Conversion Kit Included**	•	—	—
Color Availability†	SS, BL	SS, BL	SS, BL

*Can be reduced to 900 BTUs.

**Manufactured for use with natural gas. To convert to LP, see Installation Instructions packed with product.

†Gas: SS = Black with Black Grates and Stainless Steel Trim, BL = Black with Black Gloss Finish Grates

Electric: SS = Black with Stainless Steel Trim, BL = Black

ELECTRIC COOKTOPS – 36-INCH

MODEL NO.

PERFORMANCE

Radiant Elements (Size – Watts)	5	5
Triple-Ring Round	12"/9"/6" – 3000/1950/1050	—
Double-Ring Round	10"/6" – 2500/1200 (2)	12"/9" – 2700/1900; 8"/6" – 2000/1000
Even-Heat™ Ultra	—	10" – 3200
Even-Heat™	On All Elements	6" – 1300
Keep Warm	On All Elements	6" – 100
Standard Round	6" – 1200 (2)	—
Even-Heat™ Simmer	5	1
Even-Heat™ Melt	5	1

CRAFTSMANSHIP

Ceramic-Glass Surface	Premium with Watermark	Premium with Watermark
Controls	Multi-Finish Knobs	Multi-Finish Knobs
Power-On Indicator Light	•	•
Hot-Surface Indicator(s)	5	1
Control Lock Function	•	—

SPECIFICATIONS

Volts (Amps) Required	240 (40)	240 (40)
Color Availability*	SS, BL	SS, BL

*SS = Stainless Steel, BL = Black with Watermark

ELECTRIC COOKTOPS – 30-INCH & 15-INCH

MODEL NO.

PERFORMANCE

Radiant Elements (Size – Watts)	4	4	2
Triple-Ring Round	12"/9"/6" – 3000/1950/1050	—	—
Double-Ring Round	10"/6" – 3000/1900 Ultra Power™	12"/9" – 3000/1900 Ultra Power™	—
Even-Heat™ Ultra	—	10" – 3200	—
Even-Heat™	On All Elements	6" – 1300	—
Melt	—	—	—
Standard Round	6" – 1200 (2)	6" – 1200	8" – 1800 7" – 1200
Even-Heat™ Simmer	4	•	—
Even-Heat™ Melt	4	•	—
Simmer Function	—	•	—

CRAFTSMANSHIP

Ceramic-Glass Surface	Premium with Watermark	Premium with Watermark	Traditional
Controls	Touch-Activated	Multi-Finish Knobs	Multi-Finish Knobs
Power-On Indicator Light	•	•	•
Hot-Surface Indicator(s)	4	1	2
Control Lock Function	•	—	—

SPECIFICATIONS

Volts (Amps) Required	240 (40)	240 (40)	208/240 (20)
Color Availability*	SS, BL	SS, BL	BL

*SS = Stainless Steel, BL = Black with Watermark

INDUCTION COOKTOPS – 36-INCH & 30-INCH

MODEL NO.			
PERFORMANCE			
Induction Technology	•	•	•
Induction Elements	5	4	4
4800 & 2500 Watt Dual-Zone Element	1	—	—
3700 Watt Bridge Element*	2	1	—
3700 Watt Round Element	—	1	—
3200 Watt Round Element	—	—	2
2500 Watt Round Element	4	2	—
1800 Watt Round Element	—	1	2
Heat-Level Settings	12	12	9
Performance Boost Function	•	•	•
Simmer Function	•	•	•
Melt & Hold Function	•	•	•
Pan Size Detection	•	•	•
Timer	•	•	•
Hot-Surface Indicator(s)	•	•	•
Cooktop Power-Off Function	•	•	•
CRAFTSMANSHIP			
Ceramic-Glass Surface	Premium with Watermark	Premium with Watermark	Premium with Watermark
Cooktop Controls	Multi-Finish Knobs	Multi-Finish Knobs	Multi-Finish Knobs
Control Lock Function	•	•	•
Stainless Steel Trim	SS Model	SS Model	SS Model
Frameless Design	BL Model	BL Model	BL Model
SPECIFICATIONS			
Volts (Amps) Required	240 (50)	240 (40)	240 (40)
Color Availability**	SS, BL	SS, BL	SS, BL

*Total maximum output when two 7-inch elements and bridge are activated.

**SS = Premium Black with Watermark and Stainless Steel Trim, BL = Premium Black with Watermark

Important: Induction cooktops require that you use cookware with magnetic properties. If a magnet sticks to the bottom of a pan, the cookware is induction compatible. Visit KitchenAid.com to find cookware options that fit the way you cook.

VENTILATION

KitchenAid



■ SIZING TO MATCH THE COOKING SURFACE



EQUAL WIDTHS

For cooktops or ranges installed against a wall or in an island or peninsula, the ventilation system should be at least the same width as the cooking surface for satisfactory performance.



WIDER VENTILATION SYSTEM

Wall-mount hoods provide highly efficient venting with a range of CFM and design options that make them compatible with a variety of cooking appliances.

400 CFM / 65K BTU THRESHOLD allows installation over any KitchenAid® regular 36- or 30-inch range or cooktop with outputs up to 65K BTU (on select models).

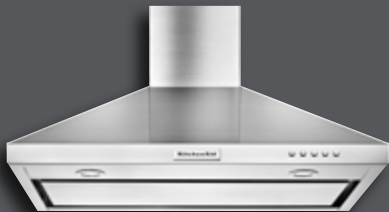
NEW PERIMETER VENTILATION increases ventilation system efficiency by pulling air from the edges of the hood and speeding up the movement of air at the center, allowing it to efficiently handle up to a 65K BTU total output. So go ahead and give it more garlic (on select models).

■ SIZE AND STYLE OPTIONS



ISLAND-MOUNT CANOPY HOOD

42-INCH
36-INCH



WALL-MOUNT CANOPY HOOD

36-INCH
30-INCH



UNDER-CABINET SYSTEM

36-INCH
30-INCH



SLIDE-OUT HOODS

36-INCH
30-INCH



RETRACTABLE DOWNDRAFT SYSTEM

36-INCH
30-INCH



CUSTOM HOOD LINER

48-INCH
36-INCH
30-INCH

■ STYLE OPTIONS



ISLAND-MOUNT CANOPY HOODS

Island-mount canopy hoods fit well in any kitchen design and are the perfect complement to a cooktop or range installed in an island or peninsula.



WALL-MOUNT CANOPY HOODS

Wall-mount canopy hoods provide highly efficient venting with a range of CFM and design options that make them compatible with a variety of cooking appliances.



SPECIALTY SLIDE-OUT VENTS

Specialty slide-out vents feature a stylish glass canopy but remain out of sight when not in use.

■ STYLE OPTIONS



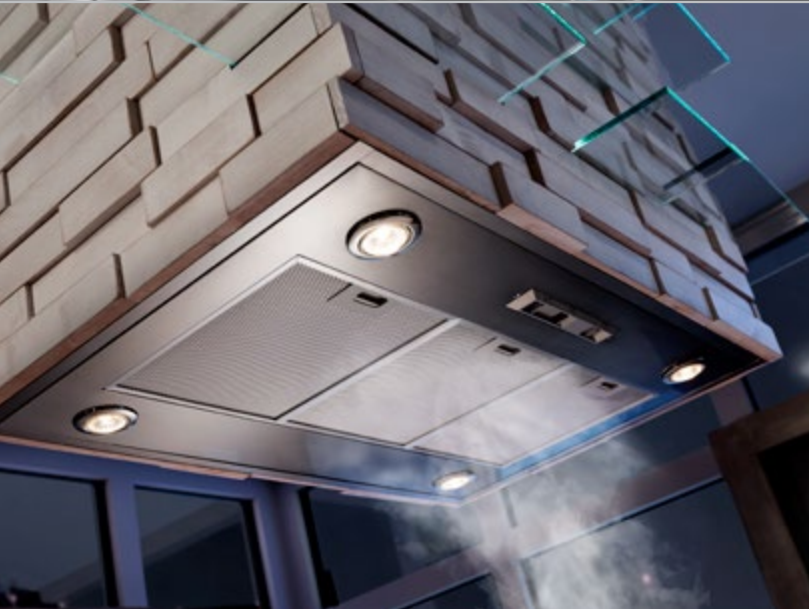
UNDER-CABINET SYSTEMS

Under-cabinet systems allow you to hide ductwork in the cabinet above or the wall behind.



RETRACTABLE DOWNDRAFT SYSTEMS

A popular choice for islands and peninsulas, these retractable downdraft systems are often referred to as “pop-up” hoods, as they remain flush with the cooktop surface until needed.



CUSTOM HOOD LINERS

Custom hood liners offer commercial-style performance for custom applications. The liner can be mounted inside a decorative hood created from the material of your choice.

■ INSTALLATION OPTIONS



FULL-WIDTH CHIMNEY COVER

A full-width chimney cover is an aesthetic solution that effectively bridges the gap between a vent hood and the ceiling, enclosing the ductwork.



CHIMNEY EXTENSION KIT

An optional chimney extension kit provides additional chimney height to accommodate high ceilings.

CONVERSION TO RECIRCULATING VENTILATION

If you can't run ductwork out of the kitchen, you can use a kit to convert to recirculating ventilation.

■ ISLAND-MOUNT CANOPY HOODS

■ WALL-MOUNT CANOPY HOODS

■ WALL-MOUNT CANOPY HOODS (CONTINUED)

■ UNDER-CABINET SYSTEMS

■ SLIDE-OUT HOODS

■ RETRACTABLE DOWNDRAFT SYSTEMS

■ CUSTOM HOOD LINERS

ISLAND-MOUNT CANOPY HOODS

MODEL NO.

PERFORMANCE

Exhaust Rating	600 CFM	600 CFM
BTU Recommended Threshold	65K	65K
4-Speed Electronic Touch Control with LCD Display	•	•
Venting	Top	Top
Duct Type	6" Round	6" Round
Convertible to a Recirculating Ventilation System (optional kit required)	•	•
Automatic Turn On (Heat Sensor)	•	•
Timer	•	•
Timed Auto Off (10 minutes)	•	•

CRAFTSMANSHIP

LED Task Lights	4	4
Standard and Night Light Settings	•	•
Dishwasher-Safe Baffle Filters	•	•
Fan Speed Indicator	•	•
Clean Filter Indicator	•	•
Charcoal Filter Replacement Indicator	•	•
Welded Seams	•	•

ACCESSORIES (PART NO.)

Make-Up Air Kit	W10446915	W10446915
Chimney Extension Kit for 9'-12' Ceilings	W10272078	W10272078
Recirculation Kit (ductwork not included)	W10692909	W10692909
Replacement Charcoal Filters	W10692910	W10692910

SPECIFICATIONS

Volts (Amps) Required	120 (15)	120 (15)
Color Availability*	SS	SS

*SS = Stainless Steel

WALL-MOUNT CANOPY HOODS

MODEL NO.

PERFORMANCE

Exhaust Rating	600 CFM	600 CFM
BTU Recommended Threshold	65K	65K
4-Speed Electronic Touch Control with LCD Display	•	•
Venting	Top or Rear*	Top or Rear*
Duct Type	6" Round	6" Round
Convertible to a Recirculating Ventilation System (optional kit required)	•	•
Automatic Turn On (Heat Sensor)	•	•
Timer	•	•
Timed Auto Off (10 minutes)	•	•

CRAFTSMANSHIP

LED Task Lights	2	2
Standard and Night Light Settings	•	•
Dishwasher-Safe Baffle Filters	•	•
Fan Speed Indicator	•	•
Clean Filter Indicator	•	•
Charcoal Filter Replacement Indicator	•	•
Welded Seams	•	•

ACCESSORIES (PART NO.)

Make-Up Air Kit	W10446915	W10446915
Chimney Extension Kit for 9'-12' Ceilings	W10272078	W10272078
Recirculation Kit (ductwork not included)	W10692909	W10692909
Replacement Charcoal Filter(s)	W10692910	W10692910

SPECIFICATIONS

Volts (Amps) Required	120 (15)	120 (15)
Color Availability**	SS	SS

*Rear venting requires optional 90° elbow.

**SS = Stainless Steel

WALL-MOUNT CANOPY HOODS (CONTINUED)

MODEL NO.

PERFORMANCE

Exhaust Rating	400 CFM	400 CFM
BTU Recommended Threshold	65K	65K
3-Speed Fan Control	•	•
Venting	Top or Rear*	Top or Rear*
Duct Type	6" Round	6" Round
Convertible to a Recirculating Ventilation System (optional kit required)	•	•

CRAFTSMANSHIP

LED Task Lights	2	2
Standard and Night Light Settings	•	•
Dishwasher-Safe Mesh Filters	•	•

ACCESSORIES (PART NO.)

Make-Up Air Kit	W10446915	W10446915
Chimney Extension Kit for 9'-12' Ceilings	W10337357	W10337357
Recirculation Kit (ductwork not included)	W10272063	W10272063
Replacement Charcoal Filter(s)	W10272068	W10272068

SPECIFICATIONS

Volts (Amps) Required	120 (15)	120 (15)
Color Availability**	SS	SS

*Rear venting requires optional 90° elbow.
**SS = Stainless Steel

UNDER-CABINET SYSTEMS AND SLIDE-OUT HOODS

	Under-Cabinet Systems		Slide-Out Hoods	
MODEL NO.				
PERFORMANCE				
Exhaust Rating	600 CFM	600 CFM	400 CFM	400 CFM
BTU Recommended Threshold	65K	65K	65K	65K
4-Speed Electronic Touch Control with LCD Display	•	•	—	—
4-Speed Electronic Touch Control with LED Display	—	—	•	•
5-Minute Boost Function	—	—	•	•
Venting	Top or Rear	Top or Rear	Top or Rear	Top or Rear
Duct Type	3 ¹ / ₄ " x 10" Rectangular	3 ¹ / ₄ " x 10" Rectangular	6" Round	6" Round
Convertible to a Recirculating Ventilation System*	•	•	•	•
Automatic Turn On (Heat Sensor)	•	•	—	—
Timer	•	•	•	•
Timed Auto Off (10 minutes)	•	•	—	—
Auto On Function	—	—	•	•
CRAFTSMANSHIP				
Flush with Cabinetry	—	—	•	•
LED Task Lights	2	2	2	2
Standard and Night Light Settings	•	•	•	•
Dishwasher-Safe Baffle Filters	•	•	—	—
Dishwasher-Safe Premium Mesh Filters	—	—	•	•
Fan Speed Indicator	•	•	•	•
Clean Filter Indicator	•	•	—	—
Charcoal Filter Replacement Indicator	•	•	—	—
Welded Seams	•	•	—	—
ACCESSORIES (PART NO.)				
Recirculation Kit (ductwork not included)	—	W10490330	W10356918	W10356918
Replacement Charcoal Filter(s)	W10272068	W10272068	W10356922	W10356922
SPECIFICATIONS				
Volts (Amps) Required	120 (15)	120 (15)	120 (15)	120 (15)
Color Availability**	SS	SS	SS	SS

*Models KVUB606D and KVUB600D require charcoal filters for recirculation, not included.

Models KXU2836Y and KXU2830Y require an optional recirculation kit, ductwork not included.

**SS = Stainless Steel

RETRACTABLE DOWNDRAFT SYSTEMS

MODEL NO.

PERFORMANCE

Interior-Mounted Pro Motor Exhaust Rating	600 CFM	600 CFM
BTU Recommended Threshold	65K	65K
4-Speed Slide Control	•	•
Reversible Vent System	•	•
Duct Type	6" Round or 3¼" x 10" Rectangular	6" Round or 3¼" x 10" Rectangular
Auto On Function	•	•

CRAFTSMANSHIP

Retractable Design	•	•
14-Inch Rise*	•	•
Dishwasher-Safe Premium Mesh Filters	•	•

ACCESSORIES (PART NO.)

Optional Interchangeable Trim Cover Black	W10387675	W10387672
White	W10388170	W10388169

SPECIFICATIONS

Volts (Amps) Required	120 (15)	120 (15)
Color Availability (Trim Cover)**	SS	SS

*Retractable vent height.

**SS = Stainless Steel

CUSTOM HOOD LINERS

MODEL NO.

PERFORMANCE

Exhaust Rating	600 or 1200 CFM with Separate Blower Motor	600 or 1200 CFM with Separate Blower Motor	400 CFM
BTU Recommended Threshold	108K	108K	65K
3-Speed Control	Hidden Slide	Hidden Slide	Push Button
Venting	Top	Top	Top
Duct Type	10" Round	10" Round	6" Round
Automatic Turn On (Heat Sensor)	•	•	—

CRAFTSMANSHIP

Halogen Lights (bulbs included)	4	4	2
Night Light Setting	•	•	—
Dishwasher-Safe Mesh Filters	•	•	•

ACCESSORIES (PART NO.)

600 CFM Internal Blower Motor	UXB0600DYS	UXB0600DYS	—
1200 CFM Internal Blower Motor	UXB1200DYS	UXB1200DYS	—
1200 CFM In-Line Blower Motor	UXI1200DYS	UXI1200DYS	—
Backguard	W10352736	W10352735	W10352734
Backguard with Two Shelves	W10285449	W10285448	W10285447
Backguard with Dual-Position Shelf	W10225948	W10225949	W10225950
Dishwasher-Safe Baffle Filter*	W10351855A	W10351855A	—
Replacement Charcoal Filter	W10272068	W10272068	W10272068

SPECIFICATIONS

Volts (Amps) Required	120 (15)	120 (15)	120 (15)
Color Availability**	SS	SS	SS

*Order four filters for 48-inch model UXL6048Y and three filters for 36-inch model UXL6036Y.

**SS = Stainless Steel

WARMING DRAWERS

A close-up photograph of a stainless steel warming drawer handle. The handle is a polished metal bar with a rounded end. On the rounded end, there is a circular red logo with the text "KitchenAid" in a white, stylized font, and the year "1919" below it. The background is a blurred stainless steel surface.

KitchenAid
1919

■ WARMING DRAWERS AT A GLANCE

KITCHENAID BRAND MEDALLION

is our iconic finishing stamp: a mark of craftsmanship and precision with a stylish touch of red.



SLOW COOK FUNCTION

adds versatility by allowing you to use the warming drawer in the same way you would use a countertop slow cooker.

CUSTOM-CONTROL TECHNOLOGY

takes the guesswork out of selecting the proper temperature for different applications.

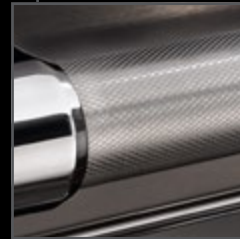


KITCHENAID® BADGE

puts our bold emblem on every appliance, with thoughtful details like polished edges and recessed letters.

SENSOR TEMPERATURE CONTROL

helps prevent food from drying out by keeping the warming drawer at a consistent temperature.



SATIN TEXTURED HANDLES

are inspired by professional kitchens. The sturdy bar handle shape, sleek chrome caps and easy-to-clean, satin cross-hatch texture combine high-style with a secure grip.

■ SIZE AND CONFIGURATION OPTIONS



30-INCH

KOWT100E
KEWS105B*



27-INCH

KOWT107E
KEWS175B*



24-INCH

KOWT104E

■ INSTALLATION OPTIONS



BELOW A DOUBLE WALL OVEN

Adding a warming drawer below a wall oven gives bakers an additional option for proofing bread.

*Panel ready only.
Panel and handle sold separately.

■ INSTALLATION OPTIONS



BELOW A COMBINATION MICROWAVE WALL OVEN

The warming drawer has a slow cook function that means a dish can begin cooking early in the day and be ready to eat as soon as other dishes finish cooking in the combination microwave wall oven.



BELOW A BUILT-IN MICROWAVE OVEN

A warming drawer below a KitchenAid® Built-In Microwave Oven provides two options for keeping finished dishes at their serving temperature before guests arrive.



BELOW A COOKTOP

As a sauce or side dish is being prepared on the cooktop, the warming drawer can keep a main dish warm and at the ideal humidity level.

Additional installation options include two warming drawers positioned side-by-side or stacked, or a warming drawer below a counter.

■ WARMING DRAWERS

WARMING DRAWERS

MODEL NO.

PERFORMANCE

Slow Cook Function	•	•	•	•	•
Temperature Range	90°-250°F	90°-250°F	90°-250°F	90°-250°F	90°-250°F
Custom-Control Technology	•	•	•	•	•
Sensor Temperature Control	•	•	•	•	•
Bread Proofing	•	•	•	•	•
Humidity Slide Control	•	•	•	•	•
2-Position Racks	•	•	•	•	•
Exterior Power Indicator Light	•	—	•	—	•
Approved for Indoor/Outdoor Use	•	—	•	—	•

ACCESSORIES (PART NO.)

Deflector Kit for Installation Below a Wall Oven					
White	W10510614	W10510614	W10510613	W10510613	—
Black	W10531010	W10531010	W10531009	W10531009	—
Stainless Steel	W10536339	W10536339	W10536338	W10536338	—
Pan Kits*					
½ Pan	W10242695A	W10242695A	W10242695A	W10242695A	W10242695A
⅓ Pan	W10242694A	W10242694A	W10242694A	W10242694A	W10242694A

SPECIFICATION

Color Availability**	SS	P	SS	P	SS
----------------------	----	---	----	---	----

*Mounting rails included in drawer.

**SS = Stainless Steel, P = Panel Ready (panel and handle sold separately)

MICROWAVE OVENS



MICROWAVE OVENS AT A GLANCE



KITCHENAID BRAND MEDALLION

is our iconic finishing stamp: a mark of craftsmanship and precision with a stylish touch of red.

STAINLESS STEEL CAVITY

extends the beauty and easy cleaning of the exterior to the interior of the microwave oven (select models).



COOKSHIELD FINISH

makes the interior of the microwave easy to wipe clean without harsh chemicals. This helps keep it looking clean and bright longer (select models).

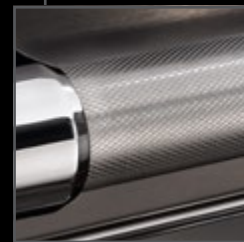


KITCHENAID® BADGE

puts our bold emblem on every appliance, with thoughtful details like polished edges and recessed letters.

CONVECTION COOKING

circulates heat around the oven cavity with a 1500 Watt convection element. This allows baking temperatures up to 425° F (select models).



SATIN TEXTURED HANDLES

are inspired by professional kitchens. The sturdy bar handle shape, sleek chrome caps and easy-to-clean, satin cross-hatch texture combine high-style with a secure grip.

■ SIZE AND CONFIGURATION OPTIONS



BUILT-IN MICROWAVE OVEN

30-INCH
27-INCH
24-INCH



MICROWAVE HOOD COMBINATION OVEN

30-INCH



COUNTERTOP MICROWAVE OVEN

2.2 CU. FT.
1.6 CU. FT.
1.5 CU. FT.

■ INSTALLATION OPTIONS



BUILT-IN MICROWAVE OVEN

Choose a 30-, 27-, or 24-inch built-in microwave oven to free up counter space. Built-in microwave ovens can be installed into a wall or cabinet for easy access and a sleek appearance.

30- and 27-inch models offer spacer kits to allow a seamless installation in taller cutouts. For added versatility, the 24-inch model includes color-coordinated trim kits for installation into 30- and 27-inch cutouts.



MICROWAVE HOOD COMBINATION OVEN

Over-the-range microwave ovens are designed for installation above a cooktop or range. In addition to providing excellent microwave performance, they capture smoke, grease and odors from the cooking surface below to help maintain a fresh kitchen.



COUNTERTOP MICROWAVE OVEN

A KitchenAid® Countertop Microwave oven can rest on any open surface in the kitchen and can be easily moved. It offers powerful performance that is sufficient for any kitchen. Alternatively, it can be converted for built-in installation by using an optional 30- or

■ BUILT-IN MICROWAVE OVENS

■ MICROWAVE HOOD COMBINATION OVENS

■ COUNTERTOP MICROWAVE OVENS

BUILT-IN MICROWAVE OVENS

MODEL NO.

PERFORMANCE

Microwave Power (Watts)	900	900	1000
Convection Cooking	•	•	—
EasyConvect™ Conversion System	•	•	—
True 10-Level Power Control	Optimawave™ Technology	Optimawave™ Technology	—
Grill Element (Watts)	1600	1600	—
Automatic Preset Cycles	Auto-Reheat and Auto-Defrost	Auto-Reheat and Auto-Defrost	3 Meal Prep Cycles (Cook, Reheat, and Defrost)
Custom Defrost and Reheat Cycles	•	•	—
Sensor One-Touch Cycles	Popcorn	Popcorn	Popcorn, Baked Potato, Meal Reheat
Soften and Melt Cycles	•	•	—
Sensor Steam Cook Cycle with Steamer Container	•	•	—
Crispwave™ Microwave Technology and Crisper Pan	•	•	—
Popcorn Sensor	•	•	•
Keep Warm Function	•	•	•
Add-A-Minute Control	•	•	•
Capacity (Cu. Ft.)	1.4	1.4	1.4

CRAFTSMANSHIP

Flexible Installation Options – 27" and 30" Trim Kits Included	—	—	•
Controls	Glass-Touch Display with Control Lock Function	Glass-Touch Display with Control Lock Function	Electronic Controls with Control Lock Function
Drop-Down Door	•	•	•
Stainless Steel Interior	•	•	—
Light	Incandescent	Incandescent	Incandescent
Convection Rack	•	•	—
Turntable	14 $\frac{1}{8}$ "	14 $\frac{1}{8}$ "	15 $\frac{3}{4}$ "
Frameless Design	•	•	—

ACCESSORY (PART NO.)

Microwave Oven Spacer Kit	W10469903	W10469901	—
Flush Install Kit	W10752697	W10752698	—

SPECIFICATIONS

Volts (Amps) Required	208/240 (20)	208/240 (20)	120 (5)
Color Availability*	SS	SS	SS, BL, WH

*SS = Stainless Steel, BL = Black, WH = White

MICROWAVE HOOD COMBINATION OVENS

MODEL NO.			
PERFORMANCE			
Microwave Power (Watts)	1200	1000	1000
Convection Cooking	•	•	—
Convection Element (Watts)	1600	1600	—
High-Speed Cooking	•	—	—
Fan Control	6-Speed	6-Speed	4-Speed
Exhaust Rating	400 CFM	400 CFM	400 CFM
Automatic Turn On (Heat Sensor)	•	•	•
True 10-Level Power Control	•	•	•
Grill Element (Watts)	1500	—	—
One-Touch Auto-Cook, Auto-Reheat, and Auto-Defrost Cycles	•	•	•
Quick Defrost Cycle	—	•	•
Soften and Melt Cycles	•	•	•
Boil & Simmer Function	•	—	—
Sensor Steam Cook Cycle with Steamer Container	•	•	—
Crispwave™ Microwave Technology and Crisper Pan	•	—	—
Popcorn Sensor	•	•	•
Keep Warm Function	•	•	•
Add-30-Seconds Control	—	—	•
Add-A-Minute Control	•	•	—
Charcoal Filters	•	•	•
Dishwasher-Safe Grease Filters	•	•	•
Capacity (Cu. Ft.)	1.9	1.9	2.0
CRAFTSMANSHIP			
Glass-Touch Menu-Driven LCD Display with Control Lock Function	•	—	—
Electronic Controls with Control Lock Function	•	•	•
Stainless Steel Interior	—	•	—
CookShield Finish Interior	•	—	•
Rack	•	•	•
Stoppable Turntable	14" Glass	14" Glass	12" Glass
Cooktop Lights	Halogen	Halogen	Halogen
Standard and Night Light Settings	•	•	•
Halogen Interior Light	•	—	—
Hidden Vent Design	•	•	•
ACCESSORIES (PART NO.)			
Replacement Charcoal Filter	8206230A	8206230A	8206230A
Grease Filter	W10535933	W10535950	W10208631A
SPECIFICATIONS			
Volts (Amps) Required	120 (15-20)	120 (15-20)	120 (15-20)
Duct	3¼" x 10" Rectangular	3¼" x 10" Rectangular	3¼" x 10" Rectangular
Convertible for Direct Exterior Venting	•	•	•
Color Availability*	SS	SS, BL, WH	SS, BL, WH

*SS = Stainless Steel, BL = Black, WH = White

COUNTERTOP MICROWAVE OVENS

MODEL NO.			
PERFORMANCE			
Microwave Power (Watts)	1200	1200	1200
Convection Cooking	—	—	•
Convection Element (Watts)	—	—	1500
10 Power Levels	•	•	•
Quick-Touch Cycles	9	9	9
Popcorn	•	•	•
Baked Potato (Sensor)	—	—	•
Baked Potato	•	•	—
Pizza	•	•	•
Frozen Entree	•	•	•
Beverage	•	•	•
Soup/Sauce	•	•	•
Fresh Vegetable (Sensor)	•	•	•
Frozen Vegetable (Sensor)	•	•	•
Dinner Plate (Sensor)	•	•	•
Timed Defrost	•	•	•
Minute Timer	•	•	•
Capacity (Cu. Ft.)	2.2	1.6	1.5
CRAFTSMANSHIP			
Electronic Controls with Control Lock Function	•	•	•
Recessed Turntable	16¾" Glass	13½" Glass	13½" Glass
ACCESSORIES (PART NO.)			
30-Inch Trim Kit*	MK2220A	MK2160A	MKC2150A
27-Inch Trim Kit*	MK2227A	MK2167A	MKC2157A
Trim Kit Color Availability**	SS	SS, BL, WH	SS
SPECIFICATIONS			
Volts (Amps) Required	120 (15-20)	120 (15-20)	120 (15-20)
Color Availability**	SS	SS, BL, WH	SS

*Trim kit is required for built-in installation.

**SS = Stainless Steel, BL = Black, WH = White

RANGES



RANGES AT A GLANCE

EASYCONVECT™ CONVERSION SYSTEM

takes the guesswork out of convection cooking by ensuring exceptional results when experimenting with new recipes or familiar favorites (select models).

PRECISION TOUCH CONTROLS

offer exceptionally modern easy-to-use displays that put sophisticated functions right at hand (select models).



MULTI-FINISH KNOBS

feature a brushed metal surface offset by sleek chrome and a satin cross-hatch texture for a high-style, non-slip touch. Even more precision is provided by the bladed dial.



TEMPERATURE PROBE

allows accurate measurement of internal temperatures of meats, poultry and casseroles without having to open the oven so that food can be cooked perfectly (select models).

SLIDE-IN RANGE DOWNDRAFT OPTION

integrates the ventilation system right into the range so that a separate hood is not needed. Smoke and odors can be removed and taken outside or air can be filtered and recirculated inside. A duct-free kit can be purchased

BAKING DRAWER

adds more cooking options to the oven. The separate compartment allows you to proof, slow cook or bake at a different temperature than the oven. That means you can cook at two temperatures at the same time.



CHROME INLAID FRAME

creates a beautifully finished transition by adding a chrome accent between glass and brushed metal surfaces (select models).

RANGE STYLES AND FUEL TYPES

ALL RANGES ARE 30-INCH



FREESTANDING
SINGLE OVEN RANGE



FREESTANDING
DOUBLE OVEN RANGE



SLIDE-IN RANGE

DUAL FUEL

Dual fuel ranges feature responsive, sealed gas burner cooking surfaces, while the even-heating electric ovens provide consistent temperatures and clean up easily.

KITCHENAID OFFERS THE INDUSTRY'S ONLY DUAL FUEL DOUBLE OVEN RANGE.

GAS

Ranges with gas burners respond quickly to heat control changes. Full-width grates make it easy to move cookware between burners. All gas ranges feature an impressive convection system and hidden bake burners for easy cleaning.

ELECTRIC

Radiant elements maintain temperatures precisely and clean up quickly. Electric ranges feature a variety of element sizes, allowing you to accommodate different sizes of cookware. Our electric ovens offer a larger capacity than gas ovens and ensure steady temperature management.

INDUCTION

Ranges with induction elements offer quick, efficient response similar to a gas burner. Four induction elements allow you to rapidly boil water and get more precise results. Our true convection oven features Even-Heat™ Technology and a slow cook warming drawer.

PERFORMANCE LEVELS AND RANGE OPTIONS



EVEN-HEAT™ TRUE CONVECTION

This feature produces flawless results. The unique bow-tie design and convection fan ensure the inside of the entire oven is heated to, and stays at, the perfect temperature.



SLIDE-IN RANGES

The new slide-in range models have finished sides and do not need to be placed between cabinets. Slide-in ranges do not have a backguard and can be installed anywhere in the kitchen. When replacing an existing slide-in range, a seamless look can be achieved with available filler strips to cover any unfinished cutout edge.

Our FIT System gives you the ability to upgrade your freestanding range to a slide-in without having to remodel. It's the perfect fit for a 30-inch cutout.



FREESTANDING RANGES

Freestanding ranges feature finished sides, so they do not require installation between cabinets. They are available in single or double oven options.

Another distinguishing feature on many freestanding ranges is a built-in backguard, which is often where the controls are located.

■ SLIDE-IN RANGES

■ SLIDE-IN RANGES (CONTINUED)

■ DOWNDRAFT SLIDE-IN RANGES

■ DOUBLE OVEN FREESTANDING RANGES

■ DOUBLE OVEN FREESTANDING RANGES (CONTINUED)

■ SINGLE OVEN FREESTANDING RANGES

■ SINGLE OVEN FREESTANDING RANGES (CONTINUED)

SLIDE-IN RANGES – DUAL FUEL & GAS

	Dual Fuel	Gas	
MODEL NO.			
COOKING SURFACE – PERFORMANCE			
Sealed Burners (BTUs)	5	5	5
Professional	19K	17K	19K
Simmer	9.2, 5K	9.2, 5K	9.2, 5K
Standard	15K, 8K	15K, 8K	15K, 8K
Griddle	•	—	—
Electronic Ignition	•	•	•
OVEN – PERFORMANCE			
Even-Heat™ True Convection System	•	•	•
EasyConvect™ Conversion System	•	•	•
Convect Bake, Roast and Broil	•	•	•
Thermal Bake and Broil	•	•	•
Slow Cook Function	•	—	—
Self-Cleaning System	•	•	•
Baking Drawer	•	•	—
Storage Drawer	—	—	•
Wireless Probe	•	•	—
Delay Start	—	•	•
Sabbath Mode/Star-K Certified	•	•	•
Hidden Bake	•	•	•
Capacity (Cu. Ft.)	7.0	6.4	5.8
CRAFTSMANSHIP			
Console Light	Red/White	Red/White	Red/White
Surface	Stainless Steel	Stainless Steel	Stainless Steel
Full-Width Cast-Iron Grates	•	•	•
Front Knob Cooktop Controls	•	•	•
Multi-Finish Knobs	•	—	—
Glass-Touch Display with Control Lock Function	•	•	•
SatinGlide™ Full Extension Roll-Out Rack	1	1	—
Heavy-Duty Max. Capacity Rack	1	1	1
Heavy-Duty Steam Rack	1	1	1
Heavy-Duty Rack	—	—	1
Oven Lights	2	2	2
ACCESSORIES (PART NO.)			
Filler Strip White – W10675027	•	•	•
Black – W10675026	•	•	•
Stainless Steel – W10675028	•	•	•
SPECIFICATIONS			
Burner/Element Ratings Bake	3600 Watts	18K BTUs	18K BTUs
Broil (Full/Center)	4000 Watts	13K BTUs	13K BTUs
Convection	3200 Watts	900 Watts	900 Watts
Volts (Amps) Required	240 (40)	120 (15)	120 (15)
LP Conversion Kit Included*	•	•	•
Color Availability**	SS	SS, BL, WH	SS, BL, WH

*Manufactured for use with natural gas. To convert to LP, see Installation Instructions packed with product.

**SS = Stainless Steel with Stainless Steel Cooktop and Black Grates, BL = Black with Black Cooktop and Black Grates, WH = White with White Cooktop and Black Grates

SLIDE-IN RANGES – ELECTRIC & INDUCTION

	Electric		Induction
MODEL NO.			
COOKING SURFACE – PERFORMANCE			
Radiant Elements (Watts)	5	5	4
Triple-Ring Round	12" / 9" / 6" – 3000	12" / 9" / 6" – 3000	—
Standard Round	6" – 1200	6" – 1200	11" – 3600; 6" – 1800
Bridge	—	—	7" – 2500 (2)
Even-Heat™ Ultra	10" – 3200	10" – 3200	—
Even-Heat™	6" – 1300	6" – 1300	—
Hot-Surface Indicator(s)	1	1	—
OVEN – PERFORMANCE			
Even-Heat™ True Convection System	•	•	•
EasyConvect™ Conversion System	•	•	•
Convect Bake, Roast and Broil	•	•	•
Thermal Oven	•	•	•
Self-Cleaning System	•	•	•
Baking Drawer	•	—	•
Storage Drawer	—	•	—
Wireless Probe	•	—	•
Delay Start	•	•	•
Sabbath Mode/Star-K Certified	•	•	•
Hidden Bake	•	•	•
Capacity (Cu. Ft.)	7.0	6.4	7.0
CRAFTSMANSHIP			
Console Light	Red/White	Red/White	Red/White
Ceramic-Glass Surface	•	•	—
Cooktop Controls	Front Knob	Front Knob	Front Knob
Glass-Touch Display with Control Lock Function	•	•	•
SatinGlide™ Full Extension Roll-Out Rack	1	—	1
Heavy-Duty Max. Capacity Rack	1	1	1
Heavy-Duty Steam Rack	1	1	1
Heavy-Duty Rack	—	1	—
Oven Lights	2	2	2
ACCESSORIES (PART NO.)			
Filler Strip White – W10675027	•	•	•
Black – W10675026	•	•	•
Stainless Steel – W10675028	•	•	•
SPECIFICATIONS			
Element Ratings (Watts) Bake	3600	3600	3600
Broil (Full/Center)	4000	4000	4000
Convection	3200	3200	3200
Volts (Amps) Required	240 (40)	240 (40)	240 (40)
Color Availability*	SS, BL, WH	SS, BL, WH	SS

*SS = Stainless Steel, BL = Black, WH = White

DOWNDRAFT SLIDE-IN RANGES

	Dual Fuel	Electric
MODEL NO.		
COOKING SURFACE – PERFORMANCE		
Sealed Burners (BTUs)	4	—
Professional	17K	—
Simmer	9.2K, 5K	—
Standard	15K	—
Radiant Elements (Watts)	—	4
Dual-Ring Round	—	10"/6" – 3000
Standard Round	—	6" – 1200
Even-Heat™ Ultra	—	10" – 3200
Even-Heat™	—	6" – 1300
Hot-Surface Indicator(s)	1	1
OVEN – PERFORMANCE		
Even-Heat™ True Convection System	•	•
EasyConvect™ Conversion System	•	•
Convect Bake, Roast and Broil	•	•
Thermal Oven	•	•
Self-Cleaning System	•	•
Wireless Probe	•	•
Delay Start	•	•
Sabbath Mode/Star-K Certified	•	•
Hidden Bake	•	•
Capacity (Cu. Ft.)	5.8	6.4
CRAFTSMANSHIP		
Console Light	Red/White	Red/White
Surface	Stainless Steel	Ceramic Glass
Cooktop Controls	Front Knobs	Front Knobs
Glass-Touch Display with Control Lock Function	•	•
SatinGlide™ Full Extension Roll-Out Rack	•	•
Heavy-Duty Max. Capacity Rack	•	•
Heavy-Duty Steam Rack	•	•
Oven Lights	2	2
ACCESSORIES (PART NO.)		
Filler Strip White – W10675027	•	•
Black – W10675026	•	•
Stainless Steel – W10675028	•	•
SPECIFICATIONS		
Element Ratings (Watts) Bake	3600	3600
Broil (Full/Center)	4000	4000
Convection	3200	3200
Volts (Amps) Required	240 (40)	240 (40)
Color Availability*	SS	SS

*SS = Stainless Steel

DOUBLE OVEN FREESTANDING RANGES – DUAL FUEL

MODEL NO.

COOKING SURFACE – PERFORMANCE

Sealed Burners (BTUs)	5
Professional	17K
Oval	7.35K
Simmer	5K (2)
Standard	10K
Electronic Ignition	•

OVEN – PERFORMANCE

Even-Heat™ True Convection System	Lower
EasyConvect™ Conversion System	Lower
Convection Bake, Roast and Broil	Lower
Thermal Bake and Broil	•
Self-Cleaning System	•
Delay Start	•
Sabbath Mode/Star-K Certified	•
Hidden Bake	•
Capacity (Cu. Ft.)	2.5 – Upper 4.2 – Lower

CRAFTSMANSHIP

Console Light	Red/White
Surface	Stainless Steel
Full-Width Cast-Iron Grates	•
Front Knob Cooktop Controls	•
Multi-Finish Knobs	•
Glass-Touch Display with Control Lock Function	•
SatinGlide™ Full Extension Roll-Out Rack	1
Steam Rack	1 – Lower
Heavy-Duty Rack	1 – Upper
Oven Lights	1 – Upper 1 – Lower
Blue-Enameled Cavities	•

SPECIFICATIONS

Element Ratings (Watts)	2000 – Upper 2000 – Lower
Bake	
Broil (Full/Center)	3600 – Upper 3600 – Lower
Convection	1600
Volts (Amps) Required	240 (40)
LP Conversion Kit Included*	•
Color Availability**	SS

*Manufactured for use with natural gas. To convert to LP, see Installation Instructions packed with product.

**SS = Stainless Steel with Stainless Steel Cooktop and Black Grates

DOUBLE OVEN FREESTANDING RANGES – GAS

MODEL NO.	
COOKING SURFACE – PERFORMANCE	
Sealed Burners (BTUs)	5
Professional	17K
Oval	7.35K
Simmer	5K (2)
Standard	10K
Electronic Ignition	•
OVEN – PERFORMANCE	
Even-Heat™ True Convection System	Lower
EasyConvect™ Conversion System	Lower
Convect Bake and Roast	Lower
Thermal Bake and Broil	•
Slow Cook Function	•
Self-Cleaning System	•
Sabbath Mode/Star-K Certified	•
Hidden Bake	•
Capacity (Cu. Ft.)	2.1 – Upper 3.9 – Lower
CRAFTSMANSHIP	
Console Light	Red/White
Surface	Stainless Steel
Full-Width Cast-Iron Grates	•
Front Knob Cooktop Controls	•
Multi-Finish Metal Knobs	•
Glass-Touch Display with Control Lock Function	•
SatinGlide™ Full Extension Roll-Out Rack	1
Heavy-Duty Rack	1 – Upper 1 – Lower
Oven Lights	1 – Upper 1 – Lower
Blue-Enameled Cavities	•
SPECIFICATIONS	
Burner/Element Ratings Bake	10K BTUs – Upper 16K BTUs – Lower
Broil	10K BTUs – Upper
Convection	500 Watts
Volts (Amps) Required	110 (40)
LP Conversion Kit Included*	•
Color Availability**	SS, BL, WH

*Manufactured for use with natural gas. To convert to LP, see Installation Instructions packed with product.
 **SS = Stainless Steel with Stainless Steel Cooktop and Black Grates, BL = Black with Black Cooktop and Black Grates, WH = White with White Cooktop and Black Grates

MODEL NO.	
COOKING SURFACE – PERFORMANCE	
Radiant Elements (Watts)	5
Triple-Ring Round	12"/9"/6" – 2700/2000/1000
Warm Zone	6" – 100
Standard Round	6" – 1200; 6" – 700
Even-Heat™ Ultra	10" – 3200
Power-On Light	•
Hot-Surface Indicator(s)	1
OVEN – PERFORMANCE	
Even-Heat™ True Convection System	Lower
EasyConvect™ Conversion System	Lower
Convect Bake, Roast and Broil	Lower
Thermal Bake and Broil	•
Slow Cook Function	•
Self-Cleaning System	•
Sabbath Mode/Star-K Certified	•
Hidden Bake	•
Capacity (Cu. Ft.)	2.5 – Upper 4.2 – Lower
CRAFTSMANSHIP	
Console Light	Red/White
Cooktop Controls	Backguard Knob
Multi-Finish Knobs	•
Stainless Steel Cooktop Trim	SS Model
Glass-Touch Display with Control Lock Function	•
SatinGlide™ Full Extension Roll-Out Rack	1
Heavy-Duty Rack	1 – Upper 1 – Lower
Oven Lights	1 – Upper 1 – Lower
Blue-Enameled Cavities	•
SPECIFICATIONS	
Element Ratings (Watts) Bake	2000 – Upper 2000 – Lower
Broil	3600 – Upper 3600 – Lower
Convection	1600 – Lower
Volts (Amps) Required	220 (40)
Color Availability*	SS, BL, WH

*SS = Stainless Steel, BL = Black, WH = White

DOUBLE OVEN FREESTANDING RANGES – INDUCTION

MODEL NO.

COOKING SURFACE – PERFORMANCE

Induction Elements (Watts)	4
Standard Round	11" – 3700; 7" – 2500; 6" – 1800 (2)
Power, Simmer, Melt and Boost	•
Power-On Light	•
Hot-Surface Indicator(s)	1

OVEN – PERFORMANCE

Even-Heat™ Technology	•
Even-Heat™ Preheat	•
Even-Heat™ True Convection System	•
EasyConvect™ Conversion System	•
Convect Bake, Roast and Broil	•
Keep Warm	•
Delay Start	•
Sabbath Mode/Star-K Certified	•
Hidden Bake	•
Capacity (Cu. Ft.)	2.5 – Upper 4.2 – Lower

CRAFTSMANSHIP

Console Light	Red/White
Cooktop Controls	Backguard Knob
Multi-Finish Knobs	•
Stainless Steel Cooktop Trim	SS Model
Glass-Touch Display with Control Lock Function	•
SatinGlide™ Full Extension Roll-Out Rack	1
Steam Rack	1 – Lower
Heavy-Duty Rack	1 – Upper
Oven Light	1 – Upper 1 – Lower
Blue-Enameled Cavities	•

SPECIFICATIONS

Element Ratings (Watts) Bake	2000 – Upper 2000 – Lower
Broil	3600 – Upper 3600 – Lower
Convection	1600 – Lower
Volts (Amps) Required	220 (40)
Color Availability*	SS

*SS = Stainless Steel

SINGLE OVEN FREESTANDING RANGES – GAS

MODEL NO.

COOKING SURFACE – PERFORMANCE

Sealed Burners (BTUs)	5	5
Professional	18K	18K
Even-Heat™ Simmer	5K	5K
Standard	15K, 9.5K, 8K	15K, 9.5K, 8K
Non-Stick Griddle	•	•
Electronic Ignition	•	•

OVEN – PERFORMANCE

Even-Heat™ Technology	•	•
Even-Heat™ Preheat	•	•
Even-Heat™ True Convection System	•	•
EasyConvect™ Conversion System	•	•
Convect Bake, Roast and Broil	•	•
Closed-Door Broil	•	•
AquaLift® Technology	•	•
Warming Drawer with SatinGlide™ System	•	—
Premium Storage Drawer with SatinGlide™ System	—	•
Keep Warm	•	•
Delay Start	•	•
Sabbath Mode/Star-K Certified	•	•
Hidden Bake	•	•
Capacity (Cu. Ft.)	5.8	5.8

CRAFTSMANSHIP

Console Light	Red/White	Red/White
Full-Width Cast-Iron Grates	•	•
Cooktop Controls	Front Knob	Front Knob
Multi-Finish Knobs	•	•
Oven Controls	Electronic	Electronic
Oven Control Lock Function	•	•
Sliding Rack	1	—
Steam Rack	1	—
Standard Rack	—	2
Max Capacity Rack	1	1
Oven Light	•	•

SPECIFICATIONS

Burner/Element Ratings (Natural Gas)		
Bake	18K BTUs	18K BTUs
Broil	11K BTUs	11K BTUs
Convection	900 Watts	900 Watts
Volts (Amps) Required	120 (20)	120 (20)
LP Conversion Kit Included*	•	•
Color Availability**	SS	SS, BL, WH

*Manufactured for use with natural gas. To convert to LP, see Installation Instructions packed with product.
 **SS = Stainless Steel with Stainless Steel Cooktop and Black Grates, BL = Black with Black Cooktop and Black Grates, WH = White with White Cooktop and Black Grates

SINGLE OVEN FREESTANDING RANGES – ELECTRIC

MODEL NO.

COOKING SURFACE – PERFORMANCE

Induction Technology	—	—
Elements (Size/Watts)	5 Radiant	5 Radiant
Triple-Ring Round	12"/9"/6" – 4500/2950/1400 Ultra Power™	12"/9"/6" – 3000/2200/1100
Even-Heat™ Ultra with Even-Heat™ Simmer	10" – 3200	9"/6" – 3000/1400
Even-Heat™ with Even-Heat™ Melt	—	6" – 1300
Keep Warm	6" – 100	6" – 100
Standard Round	6" – 1200 (2)	6" – 1200
Power-On Light	•	•
Hot-Surface Indicator(s)	•	•

OVEN – PERFORMANCE

Even-Heat™ Technology	•	•
Even-Heat™ True Convection System	•	•
EasyConvect™ Conversion System	•	•
Convect Bake, Roast and Broil	•	•
AquaLift® Self-Clean Technology	•	•
Warming Drawer with SatinGlide™ System	•	—
Premium Storage Drawer with SatinGlide™ System	—	•
Keep Warm	•	•
Delay Start	•	•
Sabbath Mode/Star-K Certified	•	•
Hidden Bake	•	•
Capacity (Cu. Ft.)	6.2	6.4

CRAFTSMANSHIP

Console Light	Red/White	Red/White
Multi-Finish Knobs	•	•
Stainless Steel Cooktop Trim	•	—
Oven Controls	Electronic	Electronic
Control Lock Function	Oven	Oven
Sliding Rack	1	—
Steam Rack	1	—
Standard Rack	—	2
Max Capacity Rack	1	1
Oven Light	•	•

SPECIFICATIONS

Element Ratings (Watts)		
Bake	3600	3600
Broil	4000	3600
Convection	900	900
Volts (Amps) Required	208/240 (40)	208/240 (40)
Color Availability*	SS	SS, BL, WH

*SS = Stainless Steel, BL = Black, WH = White

COMMERCIAL-STYLE

COMMERCIAL-STYLE

Nothing ignites the imagination of a creative cook more than a commercial-style kitchen. With its timeless look, powerful performance and unmistakable craftsmanship, it can satisfy a professional and help the everyday cook transcend the ordinary. It is the at-home culinary experience elevated.







COMMERCIAL-STYLE

COMMERCIAL-STYLE COOKING AT A GLANCE



**CUSTOMIZABLE POWER WITH
A 600 OR 1200 CFM MOTOR ON VENTS**
provides powerful performance and durability that come
standard with KitchenAid® Commercial-Style Hoods.
Customize the power by choosing either a 600 or a 1200 CFM
motor* (each sold separately).

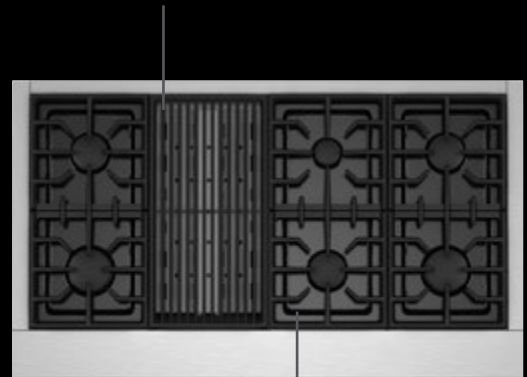
ADDITIONAL INSTALLATION OPTIONS ON RANGES

include island trim that allows for placement in an island
or peninsula and optional backguards for installation
against a wall.



CONTINUOUS SURFACE WITH HEAVY-DUTY GRATES ON RANGETOPS

extends across all burners for a robust look that
complements the commercial-style design of
our rangetops.



COMMERCIAL BURNERS ON RANGETOPS

feature almost any combination of four or six
burners and are available with or without a high-
performance electric griddle and/or grill.

*CFM motor based on model requirements.

■ SIZE AND CONFIGURATION OPTIONS



VENTILATION

- 48-INCH WALL-MOUNT CANOPY HOOD
- 36-INCH WALL-MOUNT CANOPY HOOD
- 36-INCH UNDER-CABINET SYSTEM
- 30-INCH UNDER-CABINET SYSTEM



RANGETOPS

- 48-INCH 4 BURNERS WITH GRIDDLE AND GRILL
- 48-INCH 6 BURNERS WITH GRIDDLE
- 48-INCH 6 BURNERS WITH GRILL
- 36-INCH 4 BURNERS WITH GRIDDLE
- 36-INCH 4 BURNERS WITH GRILL
- 36-INCH 6 BURNERS
- 30-INCH 4 BURNERS



RANGES

- 48-INCH 6 BURNERS WITH GRIDDLE
- 36-INCH 6 BURNERS
- 36-INCH 4 BURNERS WITH GRIDDLE
- 30-INCH 4 BURNERS

■ PERFORMANCE OPTIONS



PORCELAIN-ON-STEEL GAS RANGETOPS

Heavy-duty single grates combine to create a continuous surface that extends across all burners for a robust look that complements the commercial-style design of our rangetops.



DUAL FUEL RANGES

Commercial-style dual fuel ranges combine high-powered, precise gas burners with electric convection ovens.



WALL-MOUNT CANOPY HOODS

Canopy hoods provide highly effective venting with a 600 or 1200 CFM motor* (each sold separately).

*CFM motor based on model requirements.

KitchenAid

CC-6

■ CONFIGURATION & INSTALLATION OPTIONS



MOTOR OPTIONS

Powerful performance and durability come standard with KitchenAid® Commercial-Style Hoods. Customize the power by choosing either a 600 or a 1200 CFM motor* (each sold separately). And thanks in part to a robust stainless steel body and heavy-duty filters, these vents can operate over cooking surfaces with outputs up to 108K BTUs.



INSTALLATION OPTIONS

Commercial-style ranges offer more installation options with an included island trim that allows for placement in an island or peninsula and optional backguards for installation against a wall.



HANDLE KIT REPLACEMENT OPTION

The replacement handle features professionally-inspired styling with sleek chrome caps and an easy-to-clean, satin cross-hatch texture. It combines high style with a secure grip. The Handle Kit Replacement Option is available in 30-inch, 36-inch

*CFM motor based on model requirements.

KitchenAid®

CC-7

■ COMMERCIAL-STYLE RANGETOPS

■ COMMERCIAL-STYLE RANGETOPS (CONTINUED)

■ COMMERCIAL-STYLE RANGES

■ COMMERCIAL-STYLE RANGES (CONTINUED)

■ COMMERCIAL-STYLE RANGES (CONTINUED)

■ COMMERCIAL-STYLE VENTILATION

COMMERCIAL-STYLE RANGETOPS – 48-INCH

MODEL NO.			
PERFORMANCE			
Sealed Burners (BTUs)	4	6	6
Ultra Power™ Dual-Flame Burner(s)	20K	20K (2)	20K (2)
Professional Burners	15K (2)	15K (3)	15K (3)
Simmer/Melt Burner*	5K	5K	5K
Even-Heat™ Chrome Electric Griddle with Indicator Light	•	•	—
18K BTU Even-Heat™ Gas Grill with Indicator Light	•	—	•
Electronic Ignition and Automatic Reignition	•	•	•
CRAFTSMANSHIP			
Surface	Porcelain-on-Steel	Porcelain-on-Steel	Porcelain-on-Steel
Continuous Surface with Heavy-Duty Grates	•	•	•
Robust Black Die-Cast Metal Knobs	•	•	•
Culinary Ledge	•	•	•
Island Trim	•	•	•
ACCESSORIES (PART NO.)			
Backguard 9-Inch	W10115777	W10115777	W10115777
with Two Shelves	W10285449	W10285449	W10285449
with Dual-Position Shelf	W10225948	W10225948	W10225948
Stainless Steel Knob Kit	W10231703	—	—
Griddle Cover	W10160195	W10160195	—
Grill Cover	W10160195	—	W10160195
High Altitude Kits	W10160841 (Natural Gas), W10237848 (LP)	W10160841 (Natural Gas), W10237848 (LP)	W10160841 (Natural Gas), W10237848 (LP)
Wok Ring	W10216179	W10216179	W10216179
SPECIFICATIONS			
Volts (Amps) Required	120 (15)	120 (15)	120 (15)
LP Conversion Kit Included**	•	•	•
Color Availability†	SS	SS	SS

*Can be reduced to 500 BTUs.

**Manufactured for use with natural gas. To convert to LP, see Installation Instructions packed with product.

†SS = Stainless Steel with Matte Black Grates

COMMERCIAL-STYLE RANGETOPS – 36-INCH & 30-INCH

MODEL NO.				
PERFORMANCE				
Sealed Burners (BTUs)	4	4	6	4
Ultra Power™ Dual-Flame Burner(s)	20K	20K	20K (2)	20K
Professional Burners	15K (2)	15K (2)	15K (3)	15K (2)
Simmer/Melt Burner*	5K	5K	5K	5K
Even-Heat™ Chrome Electric Griddle with Indicator Light	•	—	—	—
18K BTU Even-Heat™ Gas Grill with Indicator Light	—	•	—	—
Electronic Ignition and Automatic Reignition	•	•	•	•
CRAFTSMANSHIP				
Surface	Porcelain-on-Steel	Porcelain-on-Steel	Porcelain-on-Steel	Porcelain-on-Steel
Continuous Surface with Heavy-Duty Grates	•	•	•	•
Robust Black Die-Cast Metal Knobs	•	•	•	•
Culinary Ledge	•	•	•	•
Island Trim	•	•	•	•
ACCESSORIES (PART NO.)				
Backguard 9-Inch	W10115776	W10115776	W10115776	W10115773
with Two Shelves	W10285448	W10285448	W10285448	W10285447
with Dual-Position Shelf	W10225949	W10225949	W10225949	—
Stainless Steel Knob Kit	W10231703	W10231703	—	W10231702
Griddle Cover	W10160195	—	—	—
Grill Cover	—	W10160195	—	—
High Altitude Kits	W10160841 (Natural Gas), W10237848 (LP)	W10160841 (Natural Gas), W10237848 (LP)	W10160841 (Natural Gas), W10237848 (LP)	W10160841 (Natural Gas), W10237848 (LP)
Wok Ring	W10216179	W10216179	W10216179	W10216179
SPECIFICATIONS				
Volts (Amps) Required	120 (15)	120 (15)	120 (15)	120 (15)
LP Conversion Kit Included**	•	•	•	•
Color Availability†	SS	SS	SS	SS

*Can be reduced to 500 BTUs.

**Manufactured for use with natural gas. To convert to LP, see Installation Instructions packed with product.

†SS = Stainless Steel with Matte Black Grates

COMMERCIAL-STYLE RANGES

MODEL NO.

COOKING SURFACE – PERFORMANCE

Sealed Burners (BTUs)	6	6	4
Ultra Power™ Dual-Flame Burner(s)	20K (2)	20K (2)	20K
Professional Burners	15K (3)	15K (3)	15K (2)
Simmer/Melt Burner*	5K	5K	5K
Even-Heat™ Chrome Electric Griddle with Indicator Light	•	•	•
Electronic Ignition and Automatic Reignition	•	•	•

OVEN – PERFORMANCE

Dual-Fan Convection with Steam-Assist Technology	30-Inch Oven**	—	•
Auto and Manual Steam Settings	•	—	•
Even-Heat™ True Convection System	—	•	—
EasyConvect™ Conversion System	•	•	•
Convect Bake, Roast and Broil	•	•	•
Thermal Oven	•	•	•
Closed-Door Thermal Broil	Full & Center Settings	Full & Center Settings	Full & Center Settings
8-Pass Broil Element	30-Inch Oven	30-Inch Oven	•
True-Broil® Reflector	•	•	•
Self-Cleaning System	Soil Level/Time	Soil Level/Time	Soil Level/Time
Temperature Probe	•	•	•
Bread Proofing	•	•	•
Sabbath Mode/Star-K Certified	•	•	•
CleanBake™ Hidden Element(s)	•	•	•
Capacity (Cu. Ft.)	4.1 – Right/2.2 – Left	4.1 – Right/2.2 – Left	5.1

CRAFTSMANSHIP

Console Light	LCD (full color)	Blue/Red	LCD (full color)
Surface	Porcelain-on-Steel	Porcelain-on-Steel	Porcelain-on-Steel
Continuous Surface with Heavy-Duty Grates	•	•	•
Robust Black Die-Cast Metal Knobs	•	•	•
Glass-Touch Display with Control Lock Function	•	•	•
Commercial Cooking Handle(s)	•	•	•
SatinGlide™ Roll-Out Extension Rack with Handle	1 – 30-Inch Oven	1 – 30-Inch Oven	1
Heavy-Duty Racks with Integrated Handle	2/2	2/2	2
Oven Lights	3/2	2/2	3
Culinary Ledge	•	•	•
Removable Decorative Toe Kick	•	•	•
Island Trim	•	•	•

ACCESSORIES (PART NO.)

Backguard			
9-Inch	W10115777	W10115777	W10115776
with Two Shelves	W10285449	W10285449	W10285448
with Dual-Position Shelf	W10225948	W10225948	W10225949
Handle Kit Replacement Option	W10750111	W10750111	W10750110
Stainless Steel Knob Kit	—	—	W10231703
Griddle Cover	W10160195	W10160195	W10160195
High Altitude Kits	W10160841 (Natural Gas), W10237848 (LP)		
Rolling Oven Rack	W10570865	W10570865	W10570868
Wok Ring	W10216179	W10216179	W10216179

SPECIFICATIONS

Element Ratings (Watts)	3000 – 30-Inch Oven	3000 – 30-Inch Oven	3000
Bake	2000 – 18-Inch Oven	2000 – 18-Inch Oven	
Broil (Full/Center)	5500/3500 – 30-Inch Oven	5500/3500 – 30-Inch Oven	6500/3500
	2650 – 18-Inch Oven	2650 – 18-Inch Oven	
Convection	2800 – 30-Inch Oven	1600 – 30-Inch Oven	2800
	1600 – 18-Inch Oven	1600 – 18-Inch Oven	
Volts (Amps) Required	208/240 (40-50)	208/240 (40-50)	208/240 (40-50)
LP Conversion Kit Included†	•	•	•
Color Availability‡	SS	SS	SS

*Can be reduced to 500 BTUs.

**True convection with steam-assist technology in 18-inch oven.

†Manufactured for use with natural gas. To convert to LP, see Installation Instructions packed with product.

‡SS = Stainless Steel with Black Grates

COMMERCIAL-STYLE RANGES (CONTINUED)

MODEL NO.				
COOKING SURFACE – PERFORMANCE				
Sealed Burners (BTUs)	6	4	6	4
Ultra Power™ Dual-Flame Burner(s)	20K (2)	20K	20K (2)	20K
Professional Burners	15K (3)	15K (2)	15K (3)	15K (2)
Simmer/Melt Burner*	5K	5K	5K	5K
Even-Heat™ Chrome Electric Griddle with Indicator Light	—	•	—	—
Electronic Ignition and Automatic Reignition	•	•	•	•
OVEN – PERFORMANCE				
Dual-Fan Convection with Steam-Assist Technology	•	—	—	—
Auto and Manual Steam Settings	•	—	—	—
Even-Heat™ True Convection System	—	•	•	•
EasyConvect™ Conversion System	•	•	•	•
Convect Bake, Roast and Broil	•	•	•	•
Thermal Oven	•	•	•	•
Closed-Door Thermal Broil	Full & Center Settings	Full & Center Settings	Full & Center Settings	Full & Center Settings
8-Pass Broil Element	•	•	•	•
True-Broil® Reflector	•	•	•	•
Self-Cleaning System	Soil Level/Time	Soil Level/Time	Soil Level/Time	Soil Level/Time
Temperature Probe	•	•	•	•
Bread Proofing	•	•	•	•
Sabbath Mode/Star-K Certified	•	•	•	•
CleanBake™ Hidden Element(s)	•	•	•	•
Capacity (Cu. Ft.)	5.1	5.1	5.1	4.1
CRAFTSMANSHIP				
Console Light	LCD (full color)	Blue/Red	Blue/Red	Blue/Red
Surface	Porcelain-on-Steel	Porcelain-on-Steel	Porcelain-on-Steel	Porcelain-on-Steel
Continuous Surface with Heavy-Duty Grates	•	•	•	•
Robust Black Die-Cast Metal Knobs	•	•	•	•
Glass-Touch Display with Control Lock Function	•	•	•	•
Commercial Cooking Handle(s)	•	•	•	•
SatinGlide™ Roll-Out Extension Rack with Handle	1	1	1	1
Heavy-Duty Racks with Integrated Handle	2	2	2	2
Oven Lights	3	2	2	2
Culinary Ledge	•	•	•	•
Removable Decorative Toe Kick	•	•	•	•
Island Trim	•	•	•	•
ACCESSORIES (PART NO.)				
Backguard				
9-Inch	W10115776	W10115776	W10115776	W10115773
with Two Shelves	W10285448	W10285448	W10285448	W10285447
with Dual-Position Shelf	W10225949	W10225949	W10225949	—
Handle Kit Replacement Option	W10750110	W10750110	W10750110	W10750107
Stainless Steel Knob Kit	—	W10231703	—	W10231702
Griddle Cover	—	W10160195	—	—
High Altitude Kits		W10160841 (Natural Gas), W10237848 (LP)		
Rolling Oven Rack	W10570868	W10570868	W10570868	W10570865
Wok Ring	W10216179	W10216179	W10216179	W10216179
SPECIFICATIONS				
Element Ratings (Watts)				
Bake	3000	3000	3000	3000
Broil (Full/Center)	6500/3500	6500/3500	6500/3500	5500/3500
Convection	2800	1600	1600	1600
Volts (Amps) Required	208/240 (40-50)	208/240 (40-50)	208/240 (40-50)	208/240 (40-50)
LP Conversion Kit Included**	•	•	•	•
Color Availability†	SS	SS	SS	SS

*Can be reduced to 500 BTUs.

**Manufactured for use with natural gas. To convert to LP, see Installation Instructions packed with product.

†SS = Stainless Steel with Black Grates

COMMERCIAL-STYLE WALL-MOUNT CANOPY HOODS

MODEL NO.

PERFORMANCE

Exhaust Rating	600 or 1200 CFM with Separate Blower Motor	600 or 1200 CFM with Separate Blower Motor	600 or 1200 CFM with Separate Blower Motor	600 or 1200 CFM with Separate Blower Motor
BTU Recommended Threshold	108K	108K	108K	108K
3-Speed Hidden Slide Control	•	•	•	•
Venting	Top or Rear*	Top or Rear	Top or Rear*	Top or Rear
Duct Type	10" Round	10" Round	10" Round	10" Round
Automatic Turn On (Heat Sensor)	•	•	•	•
Food Warming Lamps (175-watt bulbs included)	2	—	2	—
Removable Grease Tray	—	•	—	•

CRAFTSMANSHIP

LED Task Lights	3	4	2	2
Standard and Night Light Settings	•	•	•	•
Dishwasher-Safe Commercial Cooking Baffle Filters	•	•	•	•
Welded Seams	•	•	•	•

ACCESSORIES (PART NO.)

600 CFM Internal Blower Motor	UXB0600DYS	UXB0600DYS	UXB0600DYS	UXB0600DYS
1200 CFM Internal Blower Motor	UXB1200DYS	UXB1200DYS	UXB1200DYS	UXB1200DYS
1200 CFM Inline Blower Motor	UXI1200DYS	UXI1200DYS	UXI1200DYS	UXI1200DYS
Backguard	W10352736	W10352736	W10352735	W10352735
Backguard with Two Shelves	W10285449	W10285449	W10285448	W10285448
Backguard with Dual-Position Shelf	W10225948	W10225948	W10225949	W10225949
Make-Up Air Kit	W10446917	W10446917	W10446917	W10446917
Chimney Extension Kit for 9'-12' Ceilings	W10352733	—	W10352733	—
Full-Width Chimney Cover	—	W10272081	—	W10272080

SPECIFICATIONS

Volts (Amps) Required	120 (15)	120 (15)	120 (15)	120 (15)
Color Availability**	SS	SS	SS	SS

*Rear venting requires optional 90° elbow.

**SS = Stainless Steel

COMMERCIAL-STYLE UNDER-CABINET SYSTEMS

MODEL NO.

PERFORMANCE

Exhaust Rating	600 CFM	600 CFM
BTU Recommended Threshold	108K	108K
3-Speed Hidden Slide Control	•	•
Venting	Top or Rear	Top or Rear
Duct Type	3 1/4" x 10" Rectangular	3 1/4" x 10" Rectangular
Automatic Turn On (Heat Sensor)	•	•

CRAFTSMANSHIP

LED Task Lights	2	2
Standard and Night Light Settings	•	•
Dishwasher-Safe Commercial Cooking Baffle Filters	•	•
Welded Seams	•	•

ACCESSORIES (PART NO.)

Backguard with Dual-Position Shelf	W10225949	—
Full-Width Chimney Cover	W10272080	W10272079
Make-Up Air Kit	W10446914	W10446914
Replacement Charcoal Filter(s)	—	W10272068

SPECIFICATIONS

Volts (Amps) Required	120 (15)	120 (15)
Color Availability*	SS	SS

*SS = Stainless Steel



"WE CREATED AN AUTHENTIC
COMMERCIAL COOKING
EXPERIENCE FOR THE HOME."

JASON TIPPETTS
LEAD INDUSTRIAL DESIGNER FOR
KITCHENAID BRAND

REFRIGERATION



REFRIGERATION

Ingredients inspire cooks to create in the kitchen. And that inspired us to find creative new ways to care for them. Our redesigned refrigerators add life to food and offer innovative storage ideas. They're the first line of refrigerators to care for ingredients the way you care about ingredients.



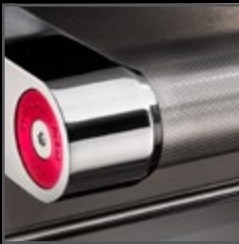


KitchenAid

BUILT-IN

BUILT-IN REFRIGERATION AT A GLANCE

36-INCH FRENCH DOOR BOTTOM MOUNT BUILT-IN REFRIGERATOR expands our offering of this stunning, highly popular style of refrigerators to a full-sized 36-inch design.



SATIN-TEXTURED HANDLES

are inspired by professional kitchens. The sturdy bar handle shape, sleek chrome caps and easy-to-clean satin cross-hatch texture combine high style with a secure grip.



KITCHENAID® BADGE

puts our bold emblem on every appliance, with thoughtful details like polished edges and recessed letters.



PLATINUM INTERIOR DESIGN

provides a premium look with silver glossy walls that complement the metallic accents found inside the refrigerator (select models).

LED LIGHTING

gradually increases to full intensity, making it easy to find items inside the refrigerator and freezer, even the crisper.

SATINGLIDE® SYSTEM WITH SOFT, SELF-CLOSE

adds an exceptionally smooth experience to the crisper drawers. The ball-bearing rollers and glides allow effortless in-and-out movement even when fully loaded.



ENERGY STAR® QUALIFIED

This product conserves energy by exceeding minimum federal energy efficiency (select models).

■ SIZE AND CONFIGURATION OPTIONS



FRENCH DOOR BOTTOM MOUNT

Our French door refrigerators provide an uninterrupted refrigeration space that is the widest among built-in bottom-freezer refrigerators. This lets you take maximum advantage of the French door design. The door swing is similar to a side-by-side, making it an ideal solution for tight spaces because less room is needed for the door to swing open.

Also available in panel ready.*

42-INCH

36-INCH



BOTTOM MOUNT

Bottom-freezer refrigerators feature a classic design that lets you conveniently reach everything in the refrigerator while providing multi-level freezer storage.

Available in right-hand swing or left-hand swing.

Also available in panel ready.*

36-INCH



SIDE-BY-SIDE

Side-by-side refrigerators create flexible storage options for both the refrigerator and the freezer. Adjustable shelves and door bins allow you to easily organize your food and keep frequently accessed items in both compartments within easy reach.

Available in dispensing and non-dispensing options.

Also available in panel ready.*

48-INCH

42-INCH

36-INCH

*Panel and handle sold separately

FRENCH DOOR BOTTOM MOUNT PERFORMANCE FEATURES



PRESERVA® FOOD CARE SYSTEM

Two independent cooling systems provide a dedicated refrigeration unit to help keep food fresh longer and a separate system for frozen food. The FreshFlow™ Air Filter helps minimize odors while the Produce Preserver helps delay over-ripening.



ADJUSTABLE SPILL RESISTANT GLASS SHELVES

The microedge prevents messes from spilling over into other parts of the refrigerator. In place of a lip that can trap foods, the shelf edges are nano-etched with a finely textured surface that contains spills and lets you use the whole shelf from edge to edge.



INTUITIVE CONTROLS

Intuitive controls make it easy to precisely adjust the temperature of both the refrigerator and freezer.

■ SIDE-BY-SIDE PERFORMANCE FEATURES



EXTENDFRESH™ PLUS TEMPERATURE MANAGEMENT SYSTEM

This system uses sensors in the refrigerator and freezer to help ensure all your ingredients remain at the appropriate temperature for optimum taste and texture.



PRODUCE PRESERVER

The Produce Preserver absorbs ethylene gas to help extend the freshness of produce.*

MEASURED WATER FILL

This feature displays and automatically dispenses water in ounces, cups or liters. It can be programmed to pour a measured amount, helping make food prep easier. It can even be set up to fill essential items on a daily basis like a coffeepot or water bottle.

* Based on commonly purchased produce.

■ INSTALLATION OPTIONS



BUILT-IN FRENCH DOOR AND BOTTOM MOUNT REFRIGERATION

Take the design of your kitchen to the next level with the stunning, high-end look of a KitchenAid® Built-In Refrigerator. They're made to match and enhance the beauty of any home.

KitchenAid® Built-In Refrigerators can be customized to match surrounding cabinets with a panel ready design or stand out as a kitchen statement.

They even give you the flexibility to pair two bottom mount refrigerators together to create a single refrigeration space that's 72" of perfect for entertaining and dinner parties.



SIDE-BY-SIDE BUILT-IN REFRIGERATION

Side-by-side refrigerators create flexible storage options for both the refrigerator and freezer. Adjustable shelves and door bins allow you to easily organize your food and keep frequently accessed items in both compartments within easy reach. Choices include 48-, 42-, and 36-inch wide refrigerators (panel ready shown).

■ BUILT-IN FRENCH DOOR BOTTOM MOUNT REFRIGERATORS

■ BUILT-IN BOTTOM MOUNT REFRIGERATOR

■ BUILT-IN SIDE-BY-SIDE REFRIGERATORS

BUILT-IN FRENCH DOOR BOTTOM MOUNT REFRIGERATORS

MODEL NO.

CAPACITIES

Total Volume (Cu. Ft.)	24.2	20.8
Refrigerator Volume (Cu. Ft.)	17.75	15.25
Freezer Volume (Cu. Ft.)	6.42	5.56

PERFORMANCE

Preserva® Food Care System	•	•
SatinGlide® System with Soft, Self-Close	•	•
EveryDrop™ Water Filter	•	•
Intuitive Controls	•	•
Fahrenheit and Celsius Temperature Display	•	•
Door Alarm	•	•
Max Cool	•	•
Holiday/Sabbath Mode	•	•
Automatic Ice Maker	•	•
Adaptive Defrost System	•	•
Star-K Certified	•	•

CRAFTSMANSHIP

ENERGY STAR® Qualified	•	—
Platinum Interior	KBFN502E	KBFN506E
Adjustable Spill Resistant Glass Shelves	•	•
LED Lighting	•	•

ACCESSORIES (PART NO.)

EveryDrop™ Replacement Water Filter	4396841 (FILTER3)	4396841 (FILTER3)
Handle	W10782871	W10782871

SPECIFICATIONS

Color Availability*	SS, PA	SS, PA
---------------------	--------	--------

*SS = Stainless Steel, PA = Panel Ready (panel and handle sold separately)

BUILT-IN BOTTOM MOUNT REFRIGERATOR

MODEL NO.

CAPACITIES

Total Volume (Cu. Ft.)	20.9
Refrigerator Volume (Cu. Ft.)	15.3
Freezer Volume (Cu. Ft.)	5.56

PERFORMANCE

Preserva® Food Care System	•
SatinGlide® System with Soft, Self-Close	•
EveryDrop™ Water Filter	•
Intuitive Controls	•
Fahrenheit and Celsius Temperature Display	•
Door Alarm	•
Max Cool	•
Holiday/Sabbath Mode	•
Automatic Ice Maker	•
Adaptive Defrost System	•
Star-K Certified	•

CRAFTSMANSHIP

ENERGY STAR® Qualified	•
Platinum Interior	KBBL306E, KBBR306E
Adjustable Spill Resistant Glass Shelves	•
LED Lighting	•

ACCESSORIES (PART NO.)

EveryDrop™ Replacement Water Filter	4396841 (FILTER3)
72" Grille Kit	W10153554
Handle	W10782874

SPECIFICATIONS

Color Availability*	SS, PA
---------------------	--------

*SS = Stainless Steel, PA = Panel Ready (panel and handle sold separately)

BUILT-IN SIDE-BY-SIDE REFRIGERATORS

	Non-Dispense	Exterior Dispense	
MODEL NO.			
CAPACITIES			
Total Volume (Cu. Ft.)	29.8 (KBSN608E) 25.3 (KBSN602E)	29.7 (KBSD608E) 25.3 (KBSD602E)	20.9
Refrigerator Volume (Cu. Ft.)	18.7 (KBSN608E) 15.9 (KBSN602E)	18.7 (KBSD608E) 15.9 (KBSD602E)	13.1
Freezer Volume (Cu. Ft.)	11.1 (KBSN608E) 9.4 (KBSN602E)	11.0 (KBSD608E) 9.4 (KBSD602E)	7.8
PERFORMANCE			
Integrated and Flush Electronic Through-the-Door Ice & Water Dispenser	—	•	•
LCD Dispenser Display	—	•	•
Control Lockout	—	•	•
Quick-Fill	—	•	•
ExtendFresh™ Plus Temperature Management System	•	•	•
ExtendFresh™ Ingredient Care Center	•	•	•
EveryDrop™ Water Filter	•	•	•
Intuitive Controls	•	•	•
Fahrenheit and Celsius Temperature Display	•	•	•
Door Alarm	•	•	•
Water Filter Status Indicator	—	•	•
Max Cool	•	•	•
Holiday/Sabbath Mode	•	•	•
Automatic Ice Maker	•	•	•
Adaptive Defrost System	•	•	•
ClearVue™ SatinGlide® Crispers	•	•	•
Star-K Certified	•	•	•
CRAFTSMANSHIP			
ENERGY STAR® Qualified	—	•	—
Adjustable Spill Resistant Glass Shelves	•	•	•
PrintShield™ Finish	•	•	•
ClearVue™ Slide N Lock™ Door Storage	•	•	•
Whisper Quiet® Compressor System	•	•	•
Foam-in-Place Insulation	•	•	•
ACCESSORIES (PART NO.)			
EveryDrop™ Replacement Water Filter	4396841 (FILTER3)	4396841 (FILTER3)	4396841 (FILTER3)
Handle	W10782873	—	—
SPECIFICATIONS			
Color Availability*	SS, PA	SS	SS

*SS = Stainless Steel, PA = Panel Ready (panel and handle sold separately)



FREESTANDING

FREESTANDING BOTTOM MOUNT REFRIGERATION AT A GLANCE

5-DOOR CONFIGURATION

is the first ever 5-door freestanding refrigerator. This revolutionary configuration is a breakthrough in convenience. It features a dedicated produce drawer and temperature-controlled drawer.



PLATINUM INTERIOR DESIGN

provides a premium look with silver glossy walls that complement the metallic accents found inside the refrigerator (select models).

LED LIGHTING

gradually increases to full intensity, making it easy to find items inside the refrigerator and freezer, even the crisper.



SATIN-TEXTURED HANDLES

are inspired by professional kitchens. The sturdy bar handle shape, sleek chrome caps and easy-to-clean satin cross-hatch texture combine high style with a secure grip.

KITCHENAID® BADGE

puts our bold emblem on every appliance, with thoughtful details like polished edges and recessed letters.

SATINGLIDE® SYSTEM WITH SOFT, SELF-CLOSE

uses space-efficient, under-mounted pans with rollers and glides as well as a soft-close mechanism for satisfyingly smooth operation (select models).



ENERGY STAR® QUALIFIED

This product conserves energy by exceeding minimum federal energy efficiency (select models).

SIZE AND CONFIGURATION OPTIONS



5-DOOR



3-DOOR

FRENCH DOOR BOTTOM MOUNT

Our French door refrigerators provide storage innovation and uninterrupted refrigeration space. They feature a 5-door or a 3-door configuration and are available in Counter-Depth and Full-Depth. Our 3-door model comes in dispensing and non-dispensing options.

Also available in panel ready.*

36-INCH 5-DOOR FULL-DEPTH
36-INCH 3-DOOR FULL-DEPTH
33-INCH 3-DOOR FULL-DEPTH
30-INCH 3-DOOR FULL-DEPTH
36-INCH 3-DOOR COUNTER-DEPTH



BOTTOM MOUNT

Bottom-freezer refrigerators feature a classic design that lets you conveniently reach everything in the refrigerator while providing multi-level freezer storage. You can place two models next to each other for 60 or 66 inches of refrigerator storage.

33-INCH FULL-DEPTH
30-INCH FULL-DEPTH



SIDE-BY-SIDE

Side-by-side refrigerators create flexible storage options for both the refrigerator and the freezer. Adjustable shelves and door bins allow you to easily organize your food and keep frequently accessed items in both compartments within easy reach.

36-INCH FULL-DEPTH
36-INCH COUNTER-DEPTH

*Panel and handle sold separately

PERFORMANCE FEATURES



PRESERVA® FOOD CARE SYSTEM

Two independent cooling systems provide a dedicated refrigeration unit to help keep food fresh longer and a separate system for frozen food. The FreshFlow™ Air Filter helps minimize odors while the Produce Preserver helps delay over-ripening (select models).



EXTENDFRESH™ TEMPERATURE MANAGEMENT SYSTEM

This system uses sensors in the refrigerator and freezer to help ensure all your ingredients remain at the appropriate temperature for optimum taste and texture (select models).



PRODUCE PRESERVER

The Produce Preserver absorbs ethylene gas to help extend the freshness of produce.*

* Based on commonly purchased produce.

■ PERFORMANCE FEATURES



MEASURED WATER FILL

This feature displays and automatically dispenses water in ounces, cups or liters. It can be programmed to pour a measured amount, helping make food prep easier. It can even be set up to fill essential items on a daily basis like a coffeepot or water bottle.



MAX COOL

This feature automatically adjusts the temperature in the refrigerator and freezer to the lowest setting when appropriate. This keeps the refrigerator at the ideal temperature when loading groceries, when the doors are frequently opened or in higher room temperatures.



IN-DOOR-ICE® SYSTEM

This system adds interior room in the refrigerator with an ice bin that mounts on the inside left door of the refrigerator, keeping it out of the refrigerator compartment and allowing for extra shelf space.

■ INSTALLATION OPTIONS



COUNTER-DEPTH

A counter-depth refrigerator creates a refined and integrated look. The cabinet is 24 inches deep, so only the door and handles extend beyond the front of a 24-inch base cabinet.

HEIGHT OPTIONS: KitchenAid offers 69- and 72-inch high models. A 72-inch high refrigerator offers an additional design benefit by filling the space underneath overhead cabinets.

WIDTH OPTIONS: Side-by-side and French door models are 36 inches wide.



STANDARD-DEPTH

These refrigerators have a cabinet that extends beyond the front of a 24-inch base cabinet. They work well in large, spacious kitchens and offer the benefit of larger overall storage than a counter-depth refrigerator.

HEIGHT OPTIONS: Models range from 66¼–70 inches tall.

WIDTH OPTIONS: The 36-inch wide models come in both side-by-side and French door configurations. Select refrigerators are available in 33- or 30-inch widths to fit smaller kitchens.



SIDE-BY-SIDE

Side-by-side refrigerators give you the versatility to store items in the refrigerator and freezer at the same level. Adjustable shelves and door bins make it easy to organize your food and keep frequently accessed items in both compartments within easy reach. Available in counter-depth and standard-depth sizes.

■ FREESTANDING 5-DOOR REFRIGERATORS

■ FREESTANDING FRENCH DOOR BOTTOM MOUNT REFRIGERATORS

■ FREESTANDING FRENCH DOOR
BOTTOM MOUNT REFRIGERATORS (CONTINUED)

■ FREESTANDING FRENCH DOOR
BOTTOM MOUNT REFRIGERATORS (CONTINUED)

■ FREESTANDING BOTTOM MOUNT REFRIGERATORS

■ FREESTANDING SIDE-BY-SIDE REFRIGERATORS

FREESTANDING 5-DOOR REFRIGERATORS

MODEL NO.		
CAPACITIES		
Total Volume (Cu. Ft.)	25.8	25.8
Refrigerator Volume (Cu. Ft.)	18.5	18.5
Freezer Volume (Cu. Ft.)	7.61	7.61
PERFORMANCE		
Through-the-Door Ice & Water Dispenser	•	•
Lighting	LED	LED
Control Type	Electronic	Electronic
Control Lockout	•	•
Preserva® Food Care System	•	•
Sequential Dual Evaporators	•	•
FreshFlow™ Air Filter	•	•
Produce Preserver	•	•
EveryDrop™ Water Filter	•	•
Measured Fill	•	•
In-Door-Ice®	•	•
Electronic Controls Temperature	•	•
Door Alarm	•	•
Water Filter Status Indicator	•	•
Max Ice	•	•
Max Cool	•	•
Sabbath Mode	•	•
Automatic Ice Maker	•	•
Humidity-Controlled Crispers	•	•
Star-K Certified	•	•
CRAFTSMANSHIP		
Platinum Interior	•	—
Adjustable Spill Resistant Glass Shelves	•	•
SatinGlide® System	•	•
ClearVue™ Bins with Window	•	•
Pull-Out Freezer Drawer with SatinGlide® Baskets/Bins	•	•
Gallon Door Storage	•	•
Adjustable Door Bins	•	•
Hidden Hinges	•	•
Foam-in-Place Insulation	•	•
ACCESSORIES (PART NO.)		
EveryDrop™ Replacement Water Filter	EDR4RXD1	EDR4RXD1
SPECIFICATIONS		
Color Availability*	SS	SS

*SS = Stainless Steel

FREESTANDING FRENCH DOOR BOTTOM MOUNT REFRIGERATORS

MODEL NO.			
CAPACITIES			
Total Volume (Cu. Ft.)	26.8	26.8	19.7
Refrigerator Volume (Cu. Ft.)	19.03	19.03	14.7
Freezer Volume (Cu. Ft.)	7.77	7.77	5.0
PERFORMANCE			
Through-the-Door Ice & Water Dispenser	•	•	•
Lighting	LED	LED	LED
Control Type	Light-Touch	Light-Touch	LED
Control Lockout	•	•	•
Measured Fill	•	•	—
Preserva® Food Care System	•	•	—
Sequential Dual Evaporators	•	•	—
FreshFlow™ Air Filter	•	•	—
Produce Preserver	•	•	•
ExtendFresh™ Temperature Management System	—	—	•
EveryDrop™ Water Filter	•	•	•
In-Door-Ice® System	•	•	—
Electronic Controls			
Temperature	•	•	•
Door Alarm	•	•	•
Water Filter Status Indicator	•	•	•
Max Cool	•	•	•
Sabbath Mode	•	•	—
Automatic Ice Maker	•	•	•
Electronic Temperature-Controlled Pantry	•	•	—
Humidity-Controlled Crispers	•	•	•
FreshChill™ Temperature-Controlled Deli Locker with SatinGlide® System	—	—	•
Star-K Certified	•	•	—
CRAFTSMANSHIP			
Platinum Interior	•	—	—
Adjustable Spill Resistant Glass Shelves	4	4	—
Slide-Away Split Shelf	—	•	—
Undershelf LED Lighting	•	—	—
SatinGlide® Shelves	•	•	•
SatinGlide® Crispers and Pantry	•	•	• (pantry only)
Spill Shield Technology	•	•	—
ClearVue™ Bins with Window	•	•	•
Pull-Out Freezer Drawer	3-Tier	2-Tier	2-Tier
Storage Baskets (upper/middle/lower)	1/1/1	1/—/1	3 (2 upper/1 lower)
Storage Dividers	1 (in lower basket)	1 (in upper and lower baskets)	1 (in lower basket)
In-Door Pizza Storage	•	•	—
Gallon Door Storage	•	•	•
Adjustable Door Bins	6 – 3 w/Removable Insert	3 Adjustable/3 Fixed	4
Dairy Locker	—	—	•
Wine Rack	Metal	—	Metal
Condiment Caddy	—	—	2
Hidden Hinges	•	•	•
Foam-in-Place Insulation	•	•	•
ACCESSORY (PART NO.)			
Stainless Steel Side Panel	—	—	W10194323
Every Drop™ Replacement Water Filter	EDR4RXD1	EDR4RXD1	EDR4RXD1
SPECIFICATIONS			
Color Availability*	SS, BL, WH	SS	SS, BL, WH

*SS = Stainless Steel, BL = Black, WH = White

FREESTANDING FRENCH DOOR BOTTOM MOUNT REFRIGERATORS (CONTINUED)

MODEL NO.			
CAPACITIES			
Total Volume (Cu. Ft.)	25.2	22.1	19.69
Refrigerator Volume (Cu. Ft.)	17.8	15.7	13.35
Freezer Volume (Cu. Ft.)	7.4	6.4	6.35
PERFORMANCE			
Interior Water Dispenser	•	•	•
Lighting	LED	LED	LED
ExtendFresh™ Temperature Management System	•	•	•
Produce Preserver	•	•	•
EveryDrop™ Water Filter	•	•	—
Electronic Controls Temperature	•	•	•
Door Alarm	•	•	•
Water Filter Status Indicator	•	•	•
Max Cool	•	•	•
Holiday/Sabbath Mode	•	•	•
Automatic Ice Maker	•	•	•
Humidity-Controlled Crispers	•	•	•
FreshFlow™ Air Filter	—	—	•
FreshChill™ Temperature-Controlled Full-Width Pantry	Deli Locker	•	•
Star-K Certified	—	—	•
CRAFTSMANSHIP			
ENERGY STAR® Qualified	•	•	—
Adjustable Spill Resistant Glass Shelves	4	4	3
Slide-Away Split Shelf	•	•	2
SatinGlide® System on Pantry	Deli Locker	Deli Locker	—
ClearVue™ Bins with Window	•	•	•
Pull-Out Freezer Baskets/Bins	2-Tier	2-Tier	2
FreshVue™ Door Bin	—	—	•
Gallon Door Storage	•	•	•
Adjustable Door Bins	5	5	—
Non-Adjustable Door Bins	—	—	2
Dairy Locker	—	•	—
Hidden Hinges	•	•	•
Foam-in-Place Insulation	•	•	•
ACCESSORIES (PART NO.)			
EveryDrop™ Replacement Water Filter	EDR4RXD1	EDR4RXD1	—
SPECIFICATIONS			
Color Availability*	SS, BL, WH	SS, BL, WH	SS, BL, WH

*SS = Stainless Steel, BL = Black, WH = White

FREESTANDING FRENCH DOOR BOTTOM MOUNT REFRIGERATORS (CONTINUED)

MODEL NO.		
CAPACITIES		
Total Volume (Cu. Ft.)	21.9	20.0
Refrigerator Volume (Cu. Ft.)	16.3	14.4
Freezer Volume (Cu. Ft.)	5.6	5.6
PERFORMANCE		
Lighting	LED	LED
Interior Water Dispenser	•	•
ExtendFresh™ Temperature Management System	•	•
Produce Preserver	•	•
EveryDrop™ Water Filter	•	•
Electronic Controls Temperature	•	•
Door Alarm	•	•
Water Filter Status Indicator	•	•
Max Ice	•	•
Max Cool	•	•
Holiday/Sabbath Mode	•	—
Automatic Ice Maker	•	•
Humidity-Controlled Crispers	•	•
FreshChill™ Temperature-Controlled Deli Locker with SatinGlide® System	•	•
Star-K Certified	•	—
CRAFTSMANSHIP		
ENERGY STAR® Qualified	—	•
Adjustable Spill Resistant Glass Shelves	•	•
SatinGlide® System	•	• (pantry only)
ClearVue™ Bins with Window	•	•
Pull-Out Freezer Drawer with SatinGlide® Baskets/Bins	•	•
Gallon Door Storage	•	•
Adjustable Door Bins	5	5
Dairy Locker	•	•
Wine Rack	Metal	Metal
Hidden Hinges	•	•
Foam-in-Place Insulation	•	•
ACCESSORIES (PART NO.)		
Stainless Steel Side Panel	—	W10194323
Stainless Steel Top Cap	—	W10194322
EveryDrop™ Replacement Water Filter	EDR4RXD1	EDR4RXD1
SPECIFICATIONS		
Color Availability*	SS, BL, WH, PA	SS, BL, WH

*SS = Stainless Steel, BL = Black, WH = White, PA = Panel Ready (panel and handle sold separately)

FREESTANDING BOTTOM MOUNT REFRIGERATORS

MODEL NO.		
CAPACITIES		
Total Volume (Cu. Ft.)	22.1	18.67
Refrigerator Volume (Cu. Ft.)	15.62	12.94
Freezer Volume (Cu. Ft.)	6.45	5.73
PERFORMANCE		
ExtendFresh™ Temperature Management System	•	•
Produce Preserver	•	•
Electronic Controls Temperature	•	•
Automatic Ice Maker	Kitable	Kitable
Humidity-Controlled Crispers	•	•
Full-Width Deli Locker	•	•
CRAFTSMANSHIP		
ENERGY STAR® Qualified	•	•
Lighting	LED	LED
Adjustable Spill Resistant Glass Shelves	•	•
ClearVue™ Bins with Window	•	•
Pull-Out Freezer Baskets	2	2
Gallon Door Storage	•	•
Adjustable Door Bins	5	5
Dairy Locker	•	•
ACCESSORY (PART NO.)		
Ice Maker Kit	ICI3B	ICI3B
SPECIFICATIONS		
Color Availability*	SS (KRBL102E, KRBR102E) BL, WH (KRBX102E)	SS (KRBL109E, KRBR109E) BL, WH (KRBX109E)

*SS = Stainless Steel, BL = Black, WH = White

FREESTANDING SIDE-BY-SIDE REFRIGERATORS

MODEL NO.			
CAPACITIES			
Total Volume (Cu. Ft.)	24.8	24.0	22.5
Refrigerator Volume (Cu. Ft.)	15.9	13.8	13.0
Freezer Volume (Cu. Ft.)	8.9	10.2	9.5
PERFORMANCE			
Through-the-Door Ice & Water Dispenser	•	•	•
Lighting	LED	LED	LED
Control Type	Light-Touch	Light-Touch	Light-Touch
Control Lockout	•	•	•
Measured Fill	•	•	•
Unit Conversion (oz/cups/liters)	•	•	•
Preserva® Food Care System	•	•	•
Sequential Dual Evaporators	•	•	•
FreshFlow™ Air Filter	•	•	•
Produce Preserver	•	•	•
EveryDrop™ Water Filter	•	•	•
In-Door-Ice® System with Light	•	•	•
Electronic Controls			
Temperature	•	•	•
Over Temperature Alarm	•	•	•
Door Alarm	•	•	•
Water Filter Status Indicator	•	•	•
Max Ice	•	•	•
Max Cool	•	•	•
Sabbath Mode	•	•	•
Automatic Ice Maker	•	•	•
Adaptive Defrost System	•	•	•
Humidity-Controlled Crisper(s)	1	1	1
Snack Pan	•	•	•
Star-K Certified	•	•	•
CRAFTSMANSHIP			
ENERGY STAR® Qualified	15%	•	•
Adjustable Spill Resistant Glass Shelves	4/3	4/3	4/3
Spill Shield Technology	•	—	—
ClearVue™ Bins with Window	•	•	•
Gallon Door Storage	•	•	•
Adjustable Door Bins (Refrigerator/Freezer)	4/3	4/3	4/3
Dairy Locker	•	•	•
Hidden Hinges	•	•	•
Foam-in-Place Insulation	•	•	•
ACCESSORY (PART NO.)			
Every Drop™ Replacement Water Filter	EDR4RXD1	EDR4RXD1	EDR4RXD1
SPECIFICATIONS			
Color Availability*	SS, BL, WH	SS	SS

*SS = Stainless Steel, BL = Black, WH = White



UNDERCOUNTER

■ STYLE AND PERFORMANCE OPTIONS



24-INCH

WINE CELLARS

Temperature and lighting are critical to preserving wine. Our wine cellars feature dual temperature zones, allowing red and white wines to be stored at different temperatures. A UV-protected thermal glass door filters out harmful UV rays to help maintain temperatures.

Available with Auto-Interior LED Lighting.



24-INCH

BEVERAGE CENTERS

Our beverage centers have two temperature zones, offering the benefits of a wine cellar with the addition of glass shelves for storing other food items and beverages.

Available with Auto-Interior LED Lighting.



24-INCH



24-INCH

UNDERCOUNTER REFRIGERATORS

Undercounter refrigerators keep essential beverages and appetizers close at hand. When one of these units is installed in an island, favorite ingredients can be stored in the same area where food is prepared. Or, place one in any entertaining area to allow more time with guests.

Available with Auto-Interior LED Lighting or LED Interior Lighting.

STYLE AND PERFORMANCE OPTIONS



24-INCH
DOUBLE-DRAWER
REFRIGERATOR



24-INCH
DOUBLE-DRAWER
REFRIGERATOR/
FREEZER

DOUBLE-DRAWER REFRIGERATOR/ FREEZER COMBINATIONS

Our double-drawer refrigerators provide supplemental refrigeration in a 24-inch base cabinet. Each drawer is deep enough to hold large, bulky items. And two drawers help keep food organized for preparation or entertaining. The double-drawer refrigerator/freezer model has two independent drawers that make it easy to store more. This combination also features an automatic ice maker, and base-grille water filtration system with an EveryDrop™ Water Filter.



18-INCH
WITH OR
WITHOUT PUMP



15-INCH
WITH OR
WITHOUT PUMP

AUTOMATIC ICE MAKERS

Our automatic ice makers supplement a refrigerator for added convenience. All 18- and 15-inch wide automatic ice makers allow for built-in or freestanding installation and produce 50 pounds of ice in a 24-hour period.



18-INCH

OUTDOOR ICE MAKERS

Our outdoor models feature an automatic icemaker that makes alfresco entertaining easy. The weather-resistant, stainless steel gives you the freedom to entertain all year long.

PERFORMANCE FEATURES



TRUE DUAL TEMP (FOR WINE CELLARS)

This feature has two temperature zones to chill both red and white wine at their optimal temperature. This helps preserve the flavor and integrity of individual wines. The top zone adjusts from 42–54°F for whites while the lower zone can be set from 42–64°F for reds.



TRUE DUAL TEMP (FOR BEVERAGE CENTERS)

Two independent temperature zones chill beverages, hors d'oeuvres and wine bottles in their optimal climate. The top zone adjusts temperature from 33–40°F, while the lower zone can be adjusted from 42–64°F.



TOUCH CONTROLS

This is an electronic interface that allows pleasant and precise control over the refrigerator temperatures and settings.

■ PERFORMANCE FEATURES



AUTO-INTERIOR LED LIGHTING

These are proximity-activated lights that make it easy to find items inside the unit without having to open the door. One or two rows of LED top-mounted lights slowly illuminate when you approach the unit and gradually turn off when not needed.



LED INTERIOR LIGHTING

These lights illuminate the inside of the unit, making it easy to find items. This upgraded LED lighting is now available in Wine Cellars, Beverage Centers and Undercounter Refrigerators.



OVER TEMP ALARM

This alarm was designed to let you know when the refrigerator temperature rises above 45°F (7°C) for 4 hours or longer. The audio alarm will shut off automatically when the temperature returns to normal.

■ INSTALLATION AND STYLE OPTIONS



BUILT-IN OR FREESTANDING INSTALLATIONS

Although most often considered as part of a built-in design, specialty refrigeration appliances can be installed in locations that leave one or both sides exposed. Many models feature black cabinets, so you may wish to select a model with stainless steel side panels if placing the appliance in a location where it will be freestanding.



PRODUCT COMBINATIONS

With matching sizes and style options, you can combine specialty refrigeration appliances for attractive design solutions. Take advantage of the left- and right-hand door swings by placing two appliances next to each other with doors that swing open similar to a side-by-side or French door refrigerator. And, when you place two wine cellars side-by-side, you'll have enough capacity to preserve up to 92 wine bottles.

■ WINE CELLARS

■ BEVERAGE CENTERS

■ UNDERCOUNTER REFRIGERATORS

■ DOUBLE-DRAWER REFRIGERATORS

■ ICE MAKERS

■ ICE MAKERS (CONTINUED)

■ ICE MAKERS (CONTINUED)

WINE CELLARS

MODEL NO.		
PERFORMANCE		
Wine Bottle Capacity	46	46
Dual Temperature-Controlled Zones	•	•
Touch Controls	•	•
LED Temperature Display	White	White
Auto-Interior LED Lighting	•	•
SatinGlide® Extendable Racks	5	5
Auto Defrost	•	•
UV-Protected Thermal Glass Door	•	•
Interior Light	•	•
Canted Wine Racks	5	5
Stainable Maple Front Trim (Oil Based)	—	•
Stainless Steel Front Trim	•	—
CRAFTSMANSHIP		
Built-In or Freestanding Installation	•	•
SPECIFICATIONS		
Color Availability*	SS	SB, PA

*SS = Stainless Steel, SB = Stainless Exterior with Black Cabinet, PA = Panel Ready (panel and handle sold separately)

BEVERAGE CENTERS

MODEL NO.		
PERFORMANCE		
Wine Bottle Capacity	22	22
3 Temperature Zones	•	•
Touch Controls	•	•
LED Temperature Display	White	White
Auto-Interior LED Lighting	•	•
Glass Shelves	2	2
Auto Defrost	•	•
UV-Protected Thermal Glass Door	•	•
Interior Light	•	•
Canted Wine Racks	2	2
Stainable Maple Front Trim (Oil Based)	•	•
CRAFTSMANSHIP		
Built-In or Freestanding Installation	•	•
SPECIFICATIONS		
Color Availability*	SS	SB, PA

*SS = Stainless Steel, SB = Stainless Exterior with Black Cabinet, PA = Panel Ready (panel and handle sold separately)

■ UNDERCOUNTER REFRIGERATORS

MODEL NO.			
CAPACITY			
Total Volume (Cu. Ft.)	5.7	5.7	5.7
PERFORMANCE			
Touch Controls	•	•	•
Auto-Interior LED Lighting	•	•	—
LED Interior Lighting	—	—	•
Auto Defrost	•	•	•
SpillClean™ Glass Shelf	1	3	1
Adjustable Z Shelf	•	—	•
Garnish Basket	•	—	•
ClearVue™ Slide N Lock™ Door Bin	•	—	•
Slide N Lock™ Can Rack	•	—	•
Interior Light	•	•	•
CRAFTSMANSHIP			
Built-In or Freestanding Installation	•	•	•
Magnetic Door Gasket	•	•	•
Adjustable Leveling Legs	•	•	•
SPECIFICATIONS			
Color Availability*	SS	SB	SB, PA

*SS = Stainless Steel, SB = Stainless Exterior with Black Cabinet, PA = Panel Ready (panel and handle sold separately)

DOUBLE-DRAWER REFRIGERATORS

	Refrigerator Drawers	Refrigerator/Freezer Drawers
MODEL NO.		
CAPACITIES		
Total Volume (Cu. Ft.)	5.1	4.8
Drawer Capacity (Cu. Ft.) Upper	2.4	2.4
Lower	2.7	2.4
PERFORMANCE		
Independently Controlled Drawers	—	•
Electronic Controls	•	•
Temperature	•	•
Drawer Alarm	•	•
Water Filter Status Indicator	—	•
Max Cool	•	—
Holiday Mode	•	•
Control Lockout	•	•
EveryDrop™ Water Filter	—	•
Automatic Ice Maker	—	•
Removable Ice Bucket	—	•
Frost-Free Design	•	•
CRAFTSMANSHIP		
Built-In or Freestanding Installation	•	•
SatinGlide® Full Extension Drawers	•	•
Interior LED Lights	•	•
Magnetic Door Gasket	•	•
Adjustable Leveling Legs	•	•
ACCESSORY (PART NO.)		
EveryDrop™ Replacement Water Filter	—	4396701 (FILTER6)
SPECIFICATIONS		
Color Availability*	SS, PA	SS, PA

*SS = Stainless Steel, PA = Panel Ready (panel and handle sold separately)

ICE MAKERS

MODEL NO.

PERFORMANCE

UL Approved for Outdoor Use	•	—	—	—
Storage Capacity	35 lb	35 lb	35 lb	35 lb
Production Rate per 24 Hours	Up to 50 lb	Up to 50 lb	Up to 50 lb	Up to 50 lb
Automatic Shutoff	•	•	•	•
Automatic Defrost	•	•	•	•
Hidden Electronic Controls	•	•	•	•
Clear Ice Technology	•	•	•	•
Max Ice	•	•	•	•
Integrated Filter	•	•	•	•
Ice Scoop	•	•	•	•
LED Lighting in Interior Bin	•	•	•	•
Drop-Down Door	•	•	•	•
Drain Pump	Optional Accessory (see below)	Built-In	Built-In	Optional Accessory (see below)

CRAFTSMANSHIP

Built-In or Freestanding Installation	•	•	•	•
Adjustable Leveling Legs	•	•	•	•
Three-Year Limited Warranty	•	•	•	•

ACCESSORIES (PART NO.)

Drain Pump	1901A	—	—	1901A
Replacement Filter	F2WC9I1	F2WC9I1	F2WC9I1	F2WC9I1

SPECIFICATIONS

Color Availability*	S	SS	B, W	SS
---------------------	---	----	------	----

*SS & S = Stainless Steel, B = Black, W = White

MODEL NO.

PERFORMANCE

UL Approved for Outdoor Use	—	—	•
Storage Capacity	25 lb	25 lb	25 lb
Production Rate per 24 Hours	Up to 50 lb	Up to 50 lb	Up to 50 lb
Automatic Shutoff	•	•	•
Automatic Defrost	•	•	•
Hidden Electronic Controls	•	•	•
Clear Ice Technology	•	•	•
Max Ice	•	•	•
Integrated Filter	•	•	•
Ice Scoop	•	•	•
LED Lighting in Interior Bin	•	•	•
Drop-Down Door	•	•	•
Drain Pump	Built-In	Built-In	Optional Accessory (see below)

CRAFTSMANSHIP

Built-In or Freestanding Installation	•	•	•
Adjustable Leveling Legs	•	•	•
Three-Year Limited Warranty	•	•	•

ACCESSORIES (PART NO.)

Drain Pump	—	—	1901A
Replacement Filter	F2WC9I1	F2WC9I1	F2WC9I1

SPECIFICATIONS

Color Availability*	P	SS	BL, WH
---------------------	---	----	--------

*SS = Stainless Steel, BL = Black, WH = White, P = Panel Ready (panel and handle sold separately)



"CREATIVE INSPIRATION
CAN BE FOUND IN
BOTH CAPACITY AND
FUNCTIONALITY."

JASON TIPPETTS
LEAD INDUSTRIAL DESIGNER
FOR KITCHENAID BRAND

CLEANING



CLEANING

From making meals for the family to entertaining friends, presentation matters to cooks. That's why when they create and innovate, it has to be presented on a flawless plate. This thought inspired our new line of cleaning appliances. They combine a beautiful new look with stunning results, ensuring cleanup will be a piece of cake.



KitchenAid



DISHWASHERS

DISHWASHERS AT A GLANCE

EXPRESS WASH CYCLE

quickly and effortlessly handles the heaviest soils, even stubborn baked- and seared-on messes.



THIRD LEVEL RACK

is perfect for loading long, flat items. Plus, by tucking items into this clever, out-of-the-way spot, additional space is created on the first and second racks (select models).

WINDOW IN DOOR WITH LIGHTED TUB

allows you to view the dishwasher interior and inspect your dishes to ensure they are sparkling clean even before removing them (select models).



BOTTLE WASH

provides four dedicated spray nozzles in the upper rack that can be placed deep inside tall glasses and bottles to thoroughly clean even deep and odd-shaped dishes (select models).



DYNAMIC WASH ARM

is a uniquely designed arm that features nine wash arms in one for better coverage and superior cleaning. This means dishes get a powerful clean no matter where they are placed in the rack (select models).

CLEAN WATER WASH SYSTEM

with an industry-first, advanced technology pump that continuously removes food particles from the wash water. The innovative filter design never needs to be removed and cleaned (select models). The result is cleaner wash water for superior performance, even with the heaviest loads.



ENERGY STAR® QUALIFIED

In addition to being ENERGY STAR® Qualified, KitchenAid® full-size dishwashers meet Tier 1 Energy Factor (EF) requirements as outlined by the Consortium for Energy Efficiency (CEE). They may be eligible for an energy rebate in select states and provide even greater efficiency for conserving resources.

■ CONSOLE OPTIONS

ALL DISHWASHERS ARE 24-INCH



HIDDEN CONTROLS

This console has controls hidden from view and status lights with an exterior cycle indicator, giving immediate feedback with changing colors.

Also available in panel ready.*



HIDDEN CONTROLS WITH WINDOW

This dishwasher has hidden controls along with a window and lighted interior. The interior illuminates at the end of each cycle, allowing clean dishes to be inspected before removal.



FLUSH CONSOLE

Controls are within view, at your fingertips and flush with the dishwasher door. Exterior status lights display cycle progress with changing colors.

*Panel and handle sold separately.

PERFORMANCE OPTIONS



PROWASH™ CYCLE

Take the guesswork out of choosing the most effective cycle for clean dishes. Select the ProWash™ Cycle and come back to clean dishes. A sensor determines the optimum amount of water and energy based on the level of cleaning needed.



PROSCRUB® OPTION AND PROSCRUB® UPPER OPTION

KitchenAid® was the first brand to introduce the ProScrub® Option—an innovative solution for removing baked-on, caramelized messes. The ProScrub® Upper Option provides two concentrated spray zones in the upper rack to clean deeper or oddly shaped items. It provides 39% more coverage* with targeted wash action in addition to the 40 spray jets at the back of the dishwasher.



ADVANCED PRODRY™ SYSTEM

All KitchenAid® Dishwashers have a dedicated heating element that provides supplemental heat to get dishes dry. Dishwashers with the Advanced ProDry™ System use a fan to optimize drying performance.



*Compared to ProScrub® Option.

■ DISHWASHERS

■ DISHWASHERS (CONTINUED)

■ DISHWASHERS (CONTINUED)

■ DISHWASHERS (CONTINUED)

6-CYCLE/9-OPTION DISHWASHERS

MODEL NO.			
PERFORMANCE			
Clean Water Wash System	•	•	•
Cycles	6 (ProWash™, Tough, Normal, Light, Express Wash, Rinse Only)	6 (ProWash™, Tough, Normal, Light, Express Wash, Rinse Only)	6 (ProWash™, Tough, Normal, Light, Express Wash, Rinse Only)
Options	9 (ProScrub® Bottle Wash, Hi-Temp Wash, Sani-Rinse, Heat Dry, ProDry™, Top Rack Only, 1-24 Hour Delay, Control Lock)	9 (ProScrub® Bottle Wash, Hi-Temp Wash, Sani-Rinse, Heat Dry, ProDry™, Top Rack Only, 1-24 Hour Delay, Control Lock)	9 (ProScrub® Bottle Wash, Hi-Temp Wash, Sani-Rinse, Heat Dry, ProDry™, Top Rack Only, 1-24 Hour Delay, Control Lock)
ProScrub® Option and ProScrub® Upper Option	ProScrub® Only	ProScrub® Only	•
Advanced ProDry™ System	•	•	•
Whisper Quiet® Sound Insulation System	44 dBA*	44 dBA*	44 dBA*
ENERGY STAR® Qualified	•	•	•
CEE Tier 1 Qualified	•	•	•
CRAFTSMANSHIP			
Dynamic Wash Arm	•	•	•
Bottle Wash	•	•	—
Durable Stainless Steel Inner Tub	•	•	•
Exterior LED Status Display	•	•	•
DuraKote™ Nylon-Coated Racks	•	•	•
Third Level Rack	•	•	•
Adjustable Upper Rack	•	•	•
SatinGlide® Max System	•	•	•
Fold-Down Shelves with Stemware Holders	•	•	•
Fold-Down Rows	•	•	•
Utility Basket	—	•	•
Lower Rack SatinGlide® Max System	•	•	•
Fold-Down Rows	•	•	•
Sliding Tines	•	•	•
Culinary Caddy® Utensil Basket	—	•	•
Silverware Basket with Two Lids	•	•	•
ACCESSORY (PART NO.)			
Tall Tub Floor Mounting Kit	8171477	8171477	8171477
SPECIFICATIONS			
Console Type	Hidden	Hidden	Hidden
Handle Type	Towel Bar	Towel Bar	Towel Bar
Color Availability**	SS	SS	SS, BL, WH

*Per IEC standards.

**SS = Stainless Steel, BL = Black, WH = White

6-CYCLE/7-OPTION DISHWASHERS

MODEL NO.			
PERFORMANCE			
Clean Water Wash System	•	•	•
Cycles	6 (ProWash™, Tough, Normal, Light, Express Wash, Rinse Only)	6 (ProWash™, Tough, Normal, Light, Express Wash, Rinse Only)	6 (ProWash™, Tough, Normal, Light, Express Wash, Rinse Only)
Options	7 (ProScrub® Hi-Temp Wash, Sani-Rinse, ProDry™, Top Rack Only, 4-Hour Delay, Control Lock)	7 (ProScrub® Hi-Temp Wash, Sani-Rinse, ProDry™, Top Rack Only, 1-24 Hour Delay, Control Lock)	7 (ProScrub® Hi-Temp Wash, Sani-Rinse, ProDry™, Top Rack Only, 1-24 Hour Delay, Control Lock)
ProScrub® Option and ProScrub® Upper Option	•	ProScrub® Only	ProScrub® Only
Advanced ProDry™ System	•	•	•
Whisper Quiet® Sound Insulation System	44 dBA*	44 dBA*	43 dBA* (KDTM354D) 44 dBA* (KDTM354E)
ENERGY STAR® Qualified	•	•	•
CEE Tier 1 Qualified	•	•	•
CRAFTSMANSHIP			
Dynamic Wash Arm	•	—	—
Durable Stainless Steel Inner Tub	•	•	•
Exterior LED Status Display**	•	•	•
DuraKote™ Nylon-Coated Racks	•	•	•
Third Level Rack	•	—	—
Adjustable Upper Rack	•	•	•
SatinGlide® Max System	•	•	•
Fold-Down Shelves with Stemware Holders	•	•	•
Fold-Down Rows	•	•	•
Utility Basket	•	•	•
Lower Rack			
SatinGlide® Max System	•	—	—
Fold-Down Rows	•	•	•
Sliding Tines	•	•	•
Culinary Caddy® Utensil Basket	•	•	•
Silverware Basket with Two Lids	•	•	•
ACCESSORY (PART NO.)			
Tall Tub Floor Mounting Kit	8171477	8171477	8171477
Dishwasher Handle	W10708004	—	—
SPECIFICATIONS			
Console Type	Hidden	Hidden	Hidden
Handle Type	—	Towel Bar	Towel Bar
Color Availability†	PA	SS	SS

*Per IEC standards.

**Panel ready model has status lights only.

†SS = Stainless Steel, PA = Panel Ready (panel and handle sold separately)

6-CYCLE/6-OPTION DISHWASHERS

MODEL NO.			
PERFORMANCE			
Filter-Based Wash System	•	•	•
Cycles	6 (ProWash™, Tough, Normal, Light, Express Wash, Rinse Only)	6 (ProWash™, Tough, Normal, Light, Express Wash, Rinse Only)	6 (ProWash™, Tough, Normal, Light, Express Wash, Rinse Only)
Options	6 (ProScrub® Hi-Temp Wash, Sani-Rinse, Heat Dry, 2/4/8-Hour Delay, Control Lock)	6 (ProScrub® Hi-Temp Wash, Sani-Rinse, Heat Dry, 2/4/8-Hour Delay, Control Lock)	6 (ProScrub® Hi-Temp Wash, Sani-Rinse, Heat Dry, 4-Hour Delay, Control Lock)
Whisper Quiet® Sound Insulation System	39 dBA*	46 dBA*	46 dBA*
ENERGY STAR® Qualified	•	•	•
CEE Tier 1 Qualified	•	•	•
CRAFTSMANSHIP			
Durable Stainless Steel Inner Tub and Lower Wash Arms	•	•	•
LED Status Display	•	•	•
DuraKote™ Nylon-Coated Racks	•	•	•
Third Level Utensil Rack	•	•	•
Adjustable Upper Rack	•	•	•
SatinGlide® Max System	•	•	•
Fold-Down Shelves with Stemware Holders	•	•	•
Lower Rack Fold-Down Rows	•	•	•
Culinary Caddy® Utensil Basket	•	—	—
Silverware Basket with Two Lids	•	•	•
ACCESSORY (PART NO.)			
Tall Tub Floor Mounting Kit	8171477	8171477	8171477
Dishwasher Handle	—	W10708004	—
SPECIFICATIONS			
Console Type	Hidden	Hidden	Flush Console
Handle Type	Towel Bar	Towel Bar	Pocket Handle
Color Availability**	SS, BL, WH	SS, BL, WH, PA	SS, BL, WH

*Per IEC standards.

**SS = Stainless Steel, BL = Black, WH = White, PA = Panel Ready (panel and handle sold separately)

6-CYCLE/5-OPTION DISHWASHERS

MODEL NO.		
PERFORMANCE		
Filter-Based Wash System	•	•
Cycles	6 (ProWash™, Tough, Normal, Light, Express Wash, Rinse Only)	6 (ProWash™, Tough, Normal, Light, Express Wash, Rinse Only)
Options	5 (Hi-Temp Wash, Sani-Rinse, Heat Dry, 2/4/8-Hour Delay, Control Lock)	5 (Hi-Temp Wash, Sani-Rinse, Heat Dry, 4-Hour Delay, Control Lock)
Whisper Quiet® Sound Insulation System	46 dBA*	46 dBA*
ENERGY STAR® Qualified	•	•
CEE Tier 1 Qualified	•	•
CRAFTSMANSHIP		
Durable Stainless Steel Inner Tub and Lower Wash Arms	•	•
LED Status Display	•	•
DuraKote™ Nylon-Coated Racks	•	•
Adjustable Upper Rack	•	•
SatinGlide® Max System	•	•
Fold-Down Shelves with Stemware Holders	•	•
Lower Rack Fold-Down Rows	•	•
Silverware Basket with Two Lids	•	•
ACCESSORY (PART NO.)		
Tall Tub Floor Mounting Kit	8171477	8171477
SPECIFICATIONS		
Console Type	Hidden	Flush Console
Handle Type	Towel Bar	Pocket Handle
Color Availability**	SS, BL, WH	SS, BL, WH

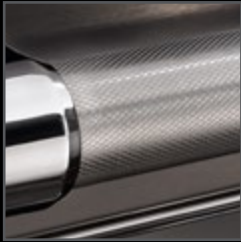
*Per IEC standards.

**SS = Stainless Steel, BL = Black, WH = White



TRASH COMPACTOR

TRASH COMPACTOR AT A GLANCE



SATIN TEXTURED HANDLES

are inspired by professional kitchens. The sturdy bar handle shape, sleek chrome caps and easy-to-clean satin cross-hatch texture combine high-style with a secure grip.



KITCHENAID BRAND MEDALLION

is our iconic finishing stamp; a mark of craftsmanship and precision with a stylish touch of red.



KITCHENAID® BADGE

puts our bold emblem on every appliance, with thoughtful details like polished edges and recessed letters.



1/3 HP MOTOR

helps ensure powerful, worry-free operation.

SOLID PACK™ CONTROL WITH 5:1 COMPACTION RATIO

reduces waste volume by up to 80%, allowing the compactor to condense the amount of garbage that would fill five trash bags into one bag.

■ PERFORMANCE AND CONFIGURATION



PERFORMANCE

When Solid Pack™ Control is selected, the compactor ram applies 2,300 pounds of pressure to the contents. The 5:1 compaction ratio condenses the amount of garbage that would fill five trash bags into one bag.

Whisper Quiet® Plus helps maintain a quiet home environment while the compactor is running.



CONFIGURATION

KitchenAid offers a 15-inch compactor with a 1.4 Cu. Ft. capacity. Its fully integrated design has controls that are hidden from view and features a start control on the foot pedal. This compactor is available in stainless steel (shown, above), black or white, or can accept a custom panel* (shown, left).

*Panel and handle sold separately

TRASH COMPACTOR



TRASH COMPACTOR

KTTS505E – 15 INCH – 1.4 CU. FT.

- 1/3 HP Motor
- Solid Pack™ Control with 5:1 Compaction Ratio
- Whisper Quiet® Plus
- Odor Management System



STAINLESS
(SS)



BLACK
(BL)



WHITE
(WH)



PANEL READY*
(PA)

*Panel and handle sold separately

MODEL NO.	
PERFORMANCE	
Solid Pack™ Control	•
Compaction Ratio*	5:1
Sound Insulation System	Whisper Quiet® Plus
2-Point Drive System	•
1/3 HP Motor	•
CRAFTSMANSHIP	
1.4 Cu. Ft. Capacity	•
Odor Management System	•
Charcoal Filter (fragrance-free)	•
Odor-Control Fan	•
Side Release Bin	•
SatinGlide™ Rails	•
Bag Retainer Buttons	•
All-Welded Steel Construction with Zinc-Coated Interior	•
Installation Type	Undercounter
Adjustable Front Leveling Legs	•
Easy Start/Open Pedal	•
ACCESSORIES (PART NO.)	
15-Inch White Plastic Bags (15 pk)	W10165295RP
Bag Caddy	13030RP
SPECIFICATIONS	
Volts (Amps) Required	120 (15)
Console Type	Fully Integrated
Color Availability**	SS, BL, WH, PA

*When Solid Pack™ Control is selected.

**SS = Stainless Steel, BL = Black, WH = White,

PA = Panel Ready (panel and handle sold separately)



KitchenAid

DISPOSERS

FOOD WASTE DISPOSER OPTIONS



MULTIGRIND PLUS™ TECHNOLOGY

Two- and three-stage grinding technology is an ideal solution for stringy foods such as corn husks and celery. This technology also features a sensor that will break through tough jams before a problem occurs, so you can grind more kinds of food waste with reduced clogging.

SOUNDSEAL PLUS™ TECHNOLOGY

The combination of advanced sound insulation and anti-vibration components reduces noise levels by up to 60% compared to other standard disposers. These disposers are the perfect companion to today's low-decibel dishwashers.



MOTOR SIZE OPTIONS

KitchenAid® Food Waste Disposers feature ½-, ¾- and 1-horsepower motors. A bigger motor can handle the requirements of a large family, while our smaller motor is ideal for those who live in an apartment or have a small family.



FEED OPTIONS

Continuous feed disposers can run constantly while they're fed more contents and are usually run by a wall switch for convenient operation.

Our batch feed disposer only operates when the special cover is in place. Waste goes in for grinding, but the lid must be locked in place for the disposer to operate. It is ground and disposed of batch-by-batch.

■ FOOD WASTE DISPOSERS

FOOD WASTE DISPOSERS

MODEL NO.	KBDS100T	KCDS100T	KCDS075T	KCDI075B	KCDB250G
PERFORMANCE					
Feed Type	Batch	Continuous	Continuous	Continuous	Continuous
Start Method	Cover Control	Wall Switch	Wall Switch	Wall Switch	Wall Switch
Motor Type	Single-Phase Induction	Single-Phase Induction	Single-Phase Induction	Induction	Induction
Grind Technology	MultiGrind Plus™ Technology	MultiGrind Plus™ Technology	MultiGrind® Technology	—	—
Second Stage Grind	GrindShear Ring®	GrindShear Ring®	GrindShear Ring®	—	—
Third Stage Grind	Undercutter Disk®	Undercutter Disk®	—	—	—
Finer-Level Grind	Tri-Action Lug® System	Tri-Action Lug® System	—	—	—
Anti-Jam Automatic Reversing Action	Jam-Sensor® Circuit	Jam-Sensor® Circuit	—	—	—
Reset Overload Protector	•	•	•	•	•
360° Swivel Stainless Steel Impellers	•	•	•	•	•
Sound Technology	SoundSeal Plus™	SoundSeal Plus™	SoundSeal®	—	—
Anti-Vibration Mount®	•	•	•	—	—
Anti-Vibration Tailpipe Mount™	•	•	•	—	—
Quiet-Collar® Sink Baffle	•	•	•	—	—
Insulation	Multi-Layer SoundLimiter™	Multi-Layer SoundLimiter™	SoundLimiter™	—	—
CRAFTSMANSHIP					
Stainless Steel Sink Flange	•	•	•	•	•
Corrosion Resistant Chamber/Assembly	•	•	•	•	•
Shredder Ring/Grinding Wheel	Stainless Steel	Stainless Steel	Stainless Steel	Stainless Steel	Galvanized Steel
ACCESSORIES (PART NO.)					
Disposer Cord	4396283	4396283	4396283	4396283	4396283
SPECIFICATIONS					
Volts/Hz Required	120/60	120/60	120/60	120/60	120/60
Amps Required (Average Load)	10.2	10.2	8.1	8.1	6.4
Motor HP	1	1	¾	¾	½
Motor RPM	1725	1725	1725	1725	1725
Chamber Capacity (oz)	40	40	40	26	26
Drain Connection, Cushioned Slip Joint (in)	1½	1½	1½	1½	1½
Dishwasher Connection	•	•	•	•	•

APPENDIX



**COOK
FOR THE
CURE**

PRESENTED BY
KitchenAid





COOK FOR THE CURE[®]

Benefiting SUSAN G. KOMEN[®]

Cook for the Cure[®] gives people with a passion for cooking a way to support a meaningful cause. The program raises funds and awareness for the fight against breast cancer.

Since 2001, KitchenAid has proudly donated over \$10 million to Susan G. Komen[®] through its Cook for the Cure[®] program including Pass the Plate, sales of pink products, celebrity chef auctions and fundraisers hosted by supporters like you.

See how you can:



INSTALLATION ACCESSORIES

COOKING

INSTALLATION ACCESSORIES

1.6 Cu. Ft. Countertop 30" Trim Kit	MK2160AB
1.6 Cu. Ft. Countertop 30" Trim Kit	MK2160AS
1.6 Cu. Ft. Countertop 30" Trim Kit	MK2160AW
1.6 Cu. Ft. Countertop 27" Trim Kit	MK2167AB
1.6 Cu. Ft. Countertop 27" Trim Kit	MK2167AS
1.6 Cu. Ft. Countertop 27" Trim Kit	MK2167AW
1.5 Cu. Ft. Convection Countertop 30" Trim Kit	MKC2150AS
1.5 Cu. Ft. Convection Countertop 27" Trim Kit	MKC2157AS
LP Conversion Kit – KGCD807XB	W10299787
Chimney Extension – KXI9736YSS/KXW9748YSS	W10352732
Chimney Extension – KXW9736YSS/KXW9748YSS	W10352733
Warming Drawer Deflector Kit 30" – SS	W10536339
Warming Drawer Deflector Kit 27" – SS	W10536338
Backsplash, No Shelves 30"	W10352734
Backsplash, No Shelves 36"	W10352735
Backsplash, No Shelves 48"	W10352736
KitchenAid® 30" Top Trim – BL	W10387672
KitchenAid® 36" Top Trim – BL	W10387675
KitchenAid® 30" Top Trim – WH	W10388169
KitchenAid® 36" Top Trim – WH	W10388170
NG Cooktop Conversion Kit	W10394295
LP Cooktop Conversion Kit	W10394296
36" x 18" Hood Liner Face Panel	W10490310
30" x 6" Hood Liner Rear Extension Panel Ready	W10490327
Recirc Kit for UXL5430BSS	W10490330
6" Slide-In Range Backsplash – WH	W10655448
6" Slide-In Range Backsplash – BL	W10655449
6" Slide-In Range Backsplash – SS	W10655450
Slide-In Range Trim Kit – BL	W10675026
Slide-In Range Trim Kit – WH	W10675027
Slide-In Range Trim Kit – SS	W10675028
Slide-In Trim ASM, Nose – WH	W10733622
Slide-In Trim ASM, Nose – BL	W10733623
Slide-In Trim ASM, Nose – SS	W10733624
KitchenAid® Commercial Range 30" Handle Kit	W10750107
KitchenAid® Commercial Range 36" Handle Kit	W10750110
KitchenAid® Commercial Range 48" Handle Kit	W10750111

SS = Stainless Steel, BL = Black, WH = White

COOKING (continued)

INSTALLATION ACCESSORIES

Flush Install Kit Sgl-DbI 30" – WH	W10752680
Flush Install Kit Sgl-DbI 30" – BL	W10752681
Flush Install Kit Sgl-DbI 30" – SS	W10752683
Flush Install Kit Sgl-DbI 27" – WH	W10752684
Flush Install Kit Sgl-DbI 27" – BL	W10752685
Flush Install Kit Sgl-DbI 27" – SS	W10752686
Flush Install Kit Combo 30" – WH	W10752687
Flush Install Kit Combo 30" – BL	W10752688
Flush Install Kit Combo 30" – SS	W10752693
Flush Install Kit Combo 27" – WH	W10752694
Flush Install Kit Combo 27" – BL	W10752695
Flush Install Kit Combo 27" – SS	W10752696
Flush Install Kit MWO 30" – SS	W10752697
Flush Install Kit MWO 27" – SS	W10752698
KitchenAid® Slide-In Downdraft Ductless Kit – SS	W10768190

REFRIGERATION

INSTALLATION ACCESSORIES

Refrigerator Leveling Shim	4387828A
15' Copper IM Kit – Retail	8003RP
KitchenAid® Handle Kit – French Door Bottom Mount Panel Ready	W10782871
KitchenAid® Handle Kit – Side-by-Side Panel Ready	W10782873
KitchenAid® Handle Kit – Bottom Mount Panel Ready	W10782874

CLEANING

INSTALLATION ACCESSORIES

KitchenAid® Panel Ready Handle – SS	W10708004
-------------------------------------	-----------

MULTI-PRODUCT

INSTALLATION ACCESSORIES

KitchenAid® Handle Medallions – Chrome	W10772564
KitchenAid® Handle Medallions – BL	W10772566

SS = Stainless Steel, BL = Black, WH = White

■ PRODUCT-RELATED ACCESSORIES

COOKING

PERFORMANCE ACCESSORIES

Rolling Oven Rack 30"	W10570865
Rolling Oven Rack 36"	W10570868
Kit-Griddle	W10685483
Recirculation Kit – Wall Hood	W10692908
Recirculation Kit – Island Hood	W10692909
Recirculation Kit – Hood Liner	W10490330
Charcoal Filter	W10692910
Vent Hood Damper	W10692946

REFRIGERATION

PERFORMANCE ACCESSORIES

Eggs/Extra Bin	4378484
Beverage/Wine Rack	2179404KRA
Ice Cube Scoop	585158A
Plastic Butter Tray and Lid	67006229A
Egg Container	W10136387A
KitchenAid® Short Horizontal Drawer Organizer	W10328403A
Icemaker Scoop Crystal 18	W10508276A

CLEANING

PERFORMANCE ACCESSORIES

Dishwasher Small Ware Basket	8519716
Dishwasher Rack Repair Kit – WH	4396838RC
Dishwasher Baby Bundle	DISHBABY
Dishwasher Extension Bundle	DISHEXTEND

MULTI-PRODUCT

PERFORMANCE ACCESSORIES

40 Watt Appliance Bulb	8009
White Acrylic Touch Up Paint 0.6 oz	72017
Multi-Use Cleaning Brush	4210463RW
Vacuum Extension Cleaning Attachment	8171579A

WH = White

VENTILATION SELECTION

GAS RANGETOPS AND COOKTOPS

KEY:
 ★ KitchenAid® cooking surface and venting pair are recommended for proper performance.
 ■ Venting unit should properly perform with comparable size cooking surface, but see cooking surface manufacturer's instructions for details.

GAS RANGETOPS & COOKTOPS

48-INCH (FROM 65K TO 108K BTUS FOR ALL BURNERS)

	Island-Mount Canopy Hoods KVIB606D KVIB600D	Wall-Mount Canopy Hoods (Commercial-Style) KXW9748Y KXW9736Y KXW8748Y KXW8736Y	Wall-Mount Canopy Hoods KVWB606D KVWB600D KVWB406D KVWB400D	Custom Hood Liners (Specialty) UXL6048Y UXL6036Y UXL5430B	Retractable Downdraft Systems (Specialty) KXD4630Y	Under-Cabinet Systems (Commercial-Style) KXU8036Y KXU8030Y	Under-Cabinet Systems KVUB606D KVUB600D	Slide-Out Hoods (Specialty) KXU2836Y KXU2830Y	Microwave Hood Combination Ovens KMHPS19E** KMHCS19E** KMHHS120E†
KGCU484V – 4-Burner w/Griddle and Grill, Commercial-Style	—	★	—	★	—	—	—	—	—
KGCU483V – 6-Burner w/Griddle, Commercial-Style	—	★	—	★	—	—	—	—	—
KGCU482V – 6-Burner w/Grill, Commercial-Style	—	★	—	★	—	—	—	—	—
Other KitchenAid or Other Brand*	—	■	—	■	—	—	—	—	—

36-INCH (FROM 65K TO 108K BTUS FOR ALL BURNERS)

KGCU462V – 4-Burner w/Grill, Commercial-Style	—	★	—	★	—	★	—	—	—
KGCU467V – 6-Burner, Commercial-Style	—	★	—	★	—	★	—	—	—
Other KitchenAid or Other Brand*	—	■	—	■	—	■	—	—	—

36-INCH (LESS THAN 65K BTUS FOR ALL BURNERS)

KGCU463V – 4-Burner w/Griddle, Commercial-Style	★	★	★	★	—	★	★	★	★
KCGS956E – 5-Burner	★	★	★	★	★	★	★	★	★
KCGS556E – 5-Burner	★	★	★	★	★	★	★	★	★
KCGS356E – 5-Burner	★	★	★	★	★	★	★	★	★
KGCC566R – 5-Burner	★	★	★	★	★	★	★	★	★
Other KitchenAid or Other Brand*	■	■	■	■	■	■	■	■	■

30-INCH (LESS THAN 65K BTUS FOR ALL BURNERS)

KGCU407V – 4-Burner, Commercial-Style	★	★	★	★	—	★	★	★	★
KCGS950E – 5-Burner	★	★	★	★	★	★	★	★	★
KCGS550E – 5-Burner	★	★	★	★	★	★	★	★	★
KCGS350E – 4-Burner	★	★	★	★	★	★	★	★	★
KGCC506R – 4-Burner	★	★	★	★	★	★	★	★	★
Other KitchenAid or Other Brand*	■	■	■	■	■	■	■	■	■

*The recommended ventilation systems should be used as a guide. You should follow the manufacturer's installation instructions for specific ventilation system guidelines.

**Minimum installation height – 69 inches.

†Minimum installation height – 66 inches.

VENTILATION SELECTION

DUAL FUEL AND GAS RANGES

KEY:
 ★KitchenAid® cooking surface and venting pair are recommended for proper performance.
 ■Venting unit should properly perform with comparable size cooking surface, but see cooking surface manufacturer's instructions for details.

	Island-Mount Canopy Hoods KVIB606D KVB600D	Wall-Mount Canopy Hoods (Commercial-Style) KXW9748Y KXW9736Y KXW8748Y KXW8736Y	Wall-Mount Canopy Hoods KVWB606D KVWB600D KVWB406D KVWB400D	Custom Hood Liners (Specialty) UXL6048Y UXL6036Y UXL5430B	Under-Cabinet Systems (Commercial-Style) KXU8036Y KXU8030Y	Under-Cabinet Systems KVUB606D KVUB600D	Slide-Out Hoods (Specialty) KXU2836Y KXU2830Y	Microwave Hood Combination Ovens KMHP519E** KMHC319E** KMHS120E†
DUAL FUEL RANGES								
48-INCH (FROM 65K TO 108K BTUS FOR ALL BURNERS)								
KDRU783V – 6-Burner w/Griddle and Steam-Assist, Commercial-Style	—	★	—	★	★	—	—	—
KDRS483V – 6-Burner w/Griddle, Commercial-Style	—	★	—	★	★	—	—	—
Other KitchenAid or Other Brand*	—	■	—	■	■	—	—	—
36-INCH (FROM 65K TO 108K BTUS FOR ALL BURNERS)								
KDRU767V – 6-Burner w/Steam-Assist, Commercial-Style	—	★	—	★	★	—	—	—
KDRS467V – 6-Burner, Commercial-Style	—	★	—	★	★	—	—	—
Other KitchenAid or Other Brand*	—	■	—	■	■	—	—	—
36-INCH (LESS THAN 65K BTUS FOR ALL BURNERS)								
KDRU763V – 4-Burner w/Griddle and Steam-Assist, Commercial-Style	★	★	★	★	★	★	★	★
KDRS463V – 4-Burner w/Griddle, Commercial-Style	★	★	★	★	★	★	★	★
Other KitchenAid or Other Brand*	■	■	■	■	■	■	■	■
30-INCH (LESS THAN 65K BTUS FOR ALL BURNERS)								
KSDB90D – 4-Burner, Commercial-Style	★	★	—	★	★	—	—	★
KSDG950E – 5-Burner	★	★	★	★	★	★	★	★
KSDB900E – 4-Burner	★	★	★	★	★	★	★	★
KFDD500E – 5-Burner	★	★	★	★	★	★	★	★
Other KitchenAid or Other Brand*	■	■	■	■	■	■	■	■
GAS RANGES								
30-INCH (LESS THAN 65K BTUS FOR ALL BURNERS)								
KSGB900E – 4-Burner	★	★	★	★	★	★	★	★
KSGG700E – 4-Burner	★	★	★	★	★	★	★	★
KFGD500E – 5-Burner	★	★	★	★	★	★	★	★
KFGS30E – 5-Burner	★	★	★	★	★	★	★	★
KFGG500E – 5-Burner	★	★	★	★	★	★	★	★
Other KitchenAid or Other Brand*	■	■	■	■	■	■	■	■

*The recommended ventilation systems should be used as a guide. You should follow the manufacturer's Installation Instructions for specific ventilation system guidelines.

**Minimum installation height – 69 inches.

†Minimum installation height – 66 inches.

VENTILATION SELECTION

ELECTRIC AND INDUCTION COOKTOPS

KEY:
 ★KitchenAid® cooking surface and venting pair are recommended for proper performance.
 ■Venting unit should properly perform with comparable size cooking surface, but see cooking surface manufacturer's instructions for details.

	Island-Mount Canopy Hoods KVIB606D KVIB600D	Wall-Mount Canopy Hoods (Commercial-Style) KXW9748Y KXW9736Y KXW8748Y KXW8736Y	Wall-Mount Canopy Hoods KVWB606D KVWB600D KVWB406D KVWB400D	Custom Hood Liners (Specialty) UXL6048Y UXL6036Y UXL5430B	Retractable Downdraft Systems (Specialty) KXD4630Y	Under-the-Cabinet Hoods (Commercial-Style) KXU8036Y KXU8030Y	Under-the-Cabinet Hoods KVUB606D KVUB600D	Slide-Out Hoods (Specialty) KXU2836Y KXU2830Y	Microwave Hood Combination Ovens KMHP519E** KMHC319E** KMHS120E†
INDUCTION COOKTOPS									
36-INCH									
KICU569X – 5-Element	★	★	★	★	—	★	★	★	★
Other KitchenAid or Other Brand*	■	■	■	■	—	■	■	■	■
30-INCH									
KICU509X – 4-Element	★	★	★	★	★	★	★	★	★
KICU500X – 4-Element	★	★	★	★	★	★	★	★	★
Other KitchenAid or Other Brand*	■	■	■	■	■	■	■	■	■
ELECTRIC COOKTOPS									
36-INCH									
KECC667B – 5-Element	★	★	★	★	—	★	★	★	★
KECC664B – 5-Element	★	★	★	★	—	★	★	★	★
Other KitchenAid or Other Brand*	■	■	■	■	—	■	■	■	■
30-INCH									
KECC607B – 4-Element	★	★	★	★	★	★	★	★	★
KECC605B – 5-Element	★	★	★	★	★	★	★	★	★
KECC604B – 4-Element	★	★	★	★	★	★	★	★	★
KECC602B – 4-Element	★	★	★	★	★	★	★	★	★
Other KitchenAid or Other Brand*	■	■	■	■	■	■	■	■	■

*The recommended ventilation systems should be used as a guide. You should follow the manufacturer's installation instructions for specific ventilation system guidelines.

**Minimum installation height – 69 inches.
 †Minimum installation height – 66 inches.

VENTILATION SELECTION

ELECTRIC AND INDUCTION RANGES

KEY:
 ★KitchenAid® cooking surface and venting pair are recommended for proper performance.
 ■Venting unit should properly perform with comparable size cooking surface, but see cooking surface manufacturer's instructions for details.

	Island-Mount Canopy Hoods KVIB606D KVIB600D	Wall-Mount Canopy Hoods (Commercial-Style) KXW9748Y KXW9736Y KXW8748Y KXW8736Y	Wall-Mount Canopy Hoods KVVWB606D KVVWB600D KVVWB406D KVVWB400D	Custom Hood Liners (Specialty) UXL6048Y UXL6036Y UXL5430B	Under-Cabinet Systems (Commercial-Style) KXU8036Y KXU8030Y	Under-Cabinet Systems KVUB606D KVUB600D	Slide-Out Hoods (Specialty) KXU2836Y KXU2830Y	Microwave Hood Combination Ovens KMHP519E** KMHC319E** KMHS120ET
ELECTRIC RANGES								
30-INCH								
KESB900E – 5-Element	★	★	★	★	★	★	★	★
KSEB900E – 4-Element	★	★	★	★	★	★	★	★
KSEG700E – 4-Element	★	★	★	★	★	★	★	★
KFED500E – 5-Element	★	★	★	★	★	★	★	★
KSEG950E – 5-Element	★	★	★	★	★	★	★	★
KFES30E – 5-Element	★	★	★	★	★	★	★	★
KFEG500E – 5-Element	★	★	★	★	★	★	★	★
Other KitchenAid or Other Brand*	■	■	■	■	■	■	■	■
INDUCTION RANGE								
30-INCH								
KSIB900E – 5-Element	★	★	★	★	★	★	★	★
KFID500E – 4-Element	★	★	★	★	★	★	★	★

*The recommended ventilation systems should be used as a guide. You should follow the manufacturer's installation instructions for specific ventilation system guidelines.
 **Minimum installation height – 69 inches.
 †Minimum installation height – 66 inches.

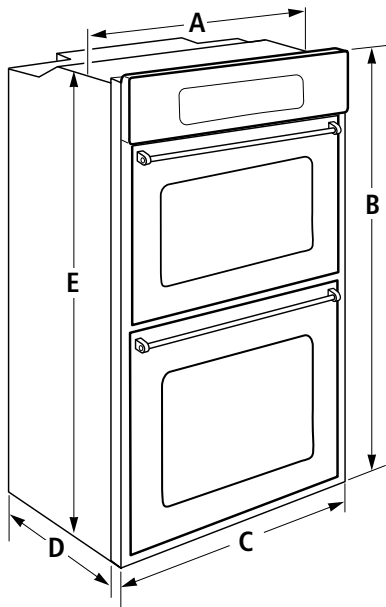
DOUBLE WALL OVENS

DIMENSIONS – shown in inches

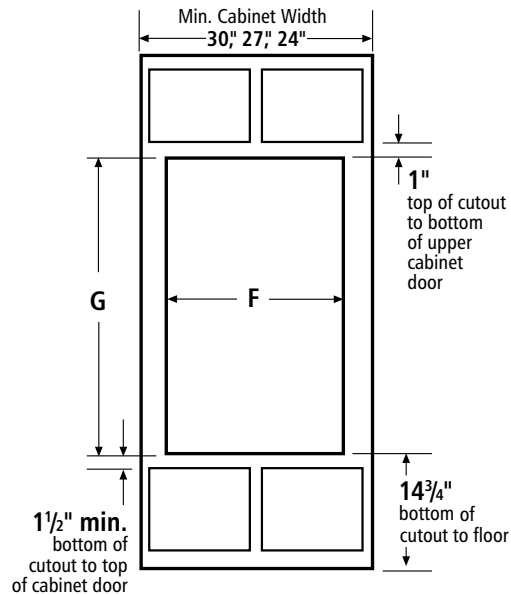
MODEL NO.	30-INCH KODT500E KODT300E KODT100E	27-INCH KODT507E KODT307E KODT107E	24-INCH KODC304E
PRODUCT DIMENSIONS			
Recessed Width (A)	28 ⁷ / ₁₆ max.	25 ⁷ / ₁₆ max.	22 ³ / ₈ max.
Overall Height (B)	51 ³ / ₁₆ max.	51 ³ / ₁₆ max.	51 max.
Overall Width (C)	30	27	23 ³ / ₄
Recessed Depth (D)	23 ¹ / ₄ max.	23 ¹ / ₄ max.	23 max.
Recessed Height (E)	48 ¹³ / ₁₆	48 ¹³ / ₁₆	49 ¹ / ₂
OVEN CAVITY DIMENSIONS			
Width	25	22	19
Height	18	18	16
Depth	19	19	17 ⁵ / ₈
CUTOUT DIMENSIONS			
Width (F)	28 ¹ / ₂	25 ¹ / ₂	22 ¹ / ₂
Height (G)	50 ¹ / ₄ *	50 ¹ / ₄ *	49 ³ / ₄ min.
Depth (H)	24	24	23 ¹ / ₄ min.

*Recommended cutout height. Will fit cutout height from 48⁷/₈" to 52³/₁₆."

PRODUCT DIMENSIONS



CUTOUT DIMENSIONS



Important Installation Information Regarding Flush Install

Flush Install requires a special kit.

Regarding the Steam Function

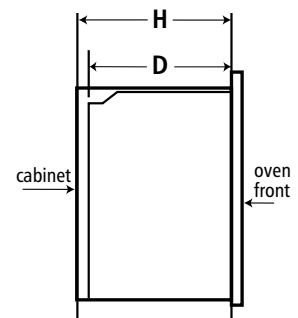
The steam function on this oven is configured for direct plumbing to a nearby water supply. Included with the product are the water filter housing, one water filter, a small section of copper tubing at the back of the oven, and a water supply union to attach the copper tubing to the water supply line. Water supply lines are not included. The water filtration system should be installed upright and adjacent to the oven near the cold water supply pipe under the kitchen sink.

See Installation Instructions for complete details.

LOCATION REQUIREMENTS

Electrical supply junction box should be located 3" maximum below the support surface when the oven is installed in a wall cabinet. A 1" minimum diameter hole should have been drilled in the right rear or left rear corner of the support surface to pass the appliance cable through to the junction box.

Cabinet Side View



Dimensions are for planning purposes only. For complete details, see Installation Instructions packed with product. Specifications subject to change without notice.

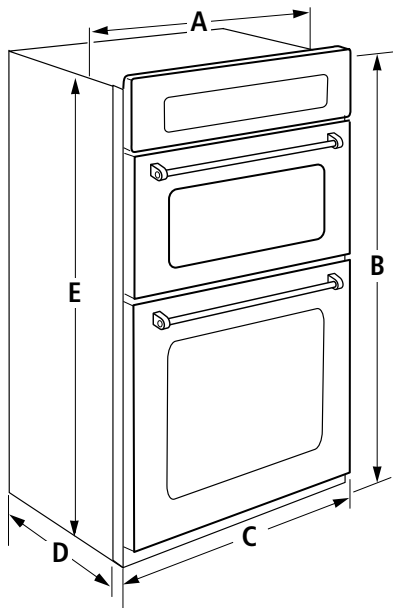
COMBINATION MICROWAVE WALL OVENS

DIMENSIONS – shown in inches

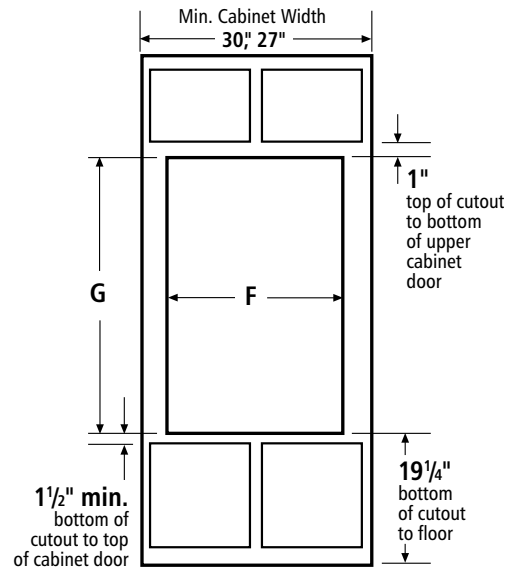
MODEL NO.	30-INCH KOCE500E	27-INCH KOCE507E
PRODUCT DIMENSIONS		
Recessed Width (A)	28 ⁷ / ₁₆	25 ⁷ / ₁₆
Overall Height (B)	42 ⁹ / ₁₆	42 ⁹ / ₁₆
Overall Width (C)	30	27
Recessed Depth (D)	23 ¹ / ₄ max.	23 ¹ / ₄ max.
Recessed Height (E)	41	41
OVEN CAVITY DIMENSIONS		
Width	25	22
Height	18	18
Depth	19	19
CUTOUT DIMENSIONS		
Width (F)	28 ¹ / ₂	25 ¹ / ₂
Height (G)	41 ⁵ / ₁₆ *	41 ⁵ / ₁₆ *
Depth (H)	24	24

*Recommended cutout height. Will fit cutout height from 41" to 41¹/₂"

PRODUCT DIMENSIONS



CUTOUT DIMENSIONS



Important Installation Information Regarding Flush Install

Flush Install requires a special kit.

Regarding the Steam Function

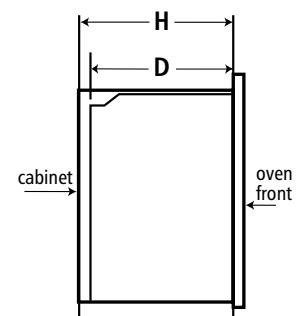
The steam function on this oven is configured for direct plumbing to a nearby water supply. Included with the product are the water filter housing, one water filter, a small section of copper tubing at the back of the oven, and a water supply union to attach the copper tubing to the water supply line. Water supply lines are not included. The water filtration system should be installed upright and adjacent to the oven near the cold water supply pipe under the kitchen sink. See Installation Instructions for complete details.

Dimensions are for planning purposes only. For complete details, see Installation Instructions packed with product. Specifications subject to change without notice.

LOCATION REQUIREMENTS

Electrical supply junction box should be located 3" maximum below the support surface when the oven is installed in a wall cabinet. A 1" minimum diameter hole should have been drilled in the right rear or left rear corner of the support surface to pass the appliance cable through to the junction box.

Cabinet Side View



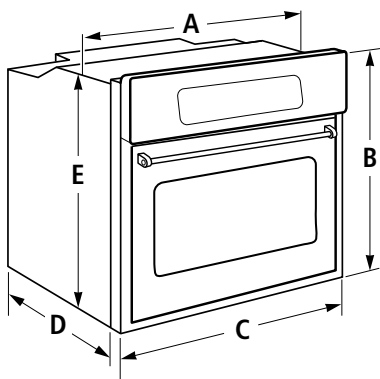
SINGLE WALL OVENS

DIMENSIONS – shown in inches

MODEL NO.	30-INCH KOSE500E KOST100E	27-INCH KOSE507E KOST107E	24-INCH KOSC504E
PRODUCT DIMENSIONS			
Recessed Width (A)	28 ⁷ / ₁₆ max.	25 ⁷ / ₁₆ max.	22 ³ / ₈ max.
Overall Height (B)	28 ³ / ₄ max.	28 ³ / ₄ max.	29 max.
Overall Width (C)	30	27	23 ³ / ₄
Recessed Depth (D)	23 ¹ / ₄ max.	23 ¹ / ₄ max.	23 max.
Recessed Height (E)	26 ³ / ₄	26 ³ / ₄	27 ¹ / ₂
OVEN CAVITY DIMENSIONS			
Width	25	22	19
Height	18	18	16
Depth	19	19	17 ⁵ / ₈
CUTOUT DIMENSIONS			
Width (F)	28 ¹ / ₂	25 ¹ / ₂	22 ¹ / ₂
Height (G)	28*	28*	27 ³ / ₄ min.
Depth (H)	24	24	23 ¹ / ₄ min.

*Recommended cutout height. Will fit cutout height from 26¹⁵/₁₆" to 29⁷/₁₆"

PRODUCT DIMENSIONS



Important Installation Information Regarding Flush Install

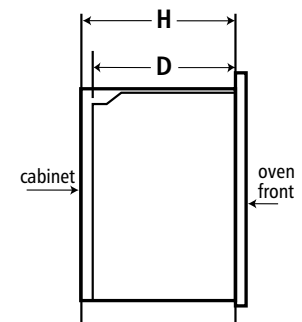
Flush Install requires a special kit.

Regarding the Steam Function

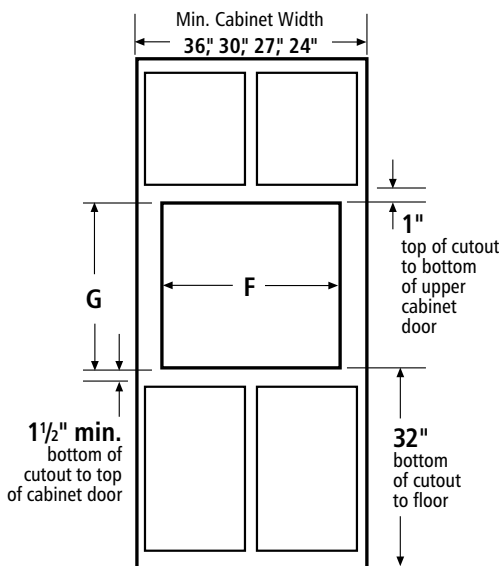
The steam function on this oven is configured for direct plumbing to a nearby water supply. Included with the product are the water filter housing, one water filter, a small section of copper tubing at the back of the oven, and a water supply union to attach the copper tubing to the water supply line. Water supply lines are not included. The water filtration system should be installed upright and adjacent to the oven near the cold water supply pipe under the kitchen sink.

See Installation Instructions for complete details.

Cabinet Side View



CUTOUT DIMENSIONS

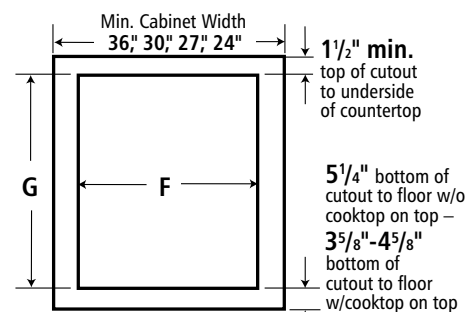


LOCATION REQUIREMENTS

Electrical supply junction box should be located 3" maximum below the support surface when the oven is installed in a wall cabinet. A 1" minimum diameter hole should have been drilled in the right rear or left rear corner of the support surface to pass the appliance cable through to the junction box.

NOTE: For undercounter installation, it is recommended that the junction box be located in the adjacent right or left cabinet. If you are installing the junction box on rear wall behind oven, the junction box must be recessed and located in the upper or lower right or left corner of the cabinet; otherwise, the oven will not fit into the cabinet opening.

Undercounter



Dimensions are for planning purposes only. For complete details, see Installation Instructions packed with product. Specifications subject to change without notice.

GAS COOKTOPS

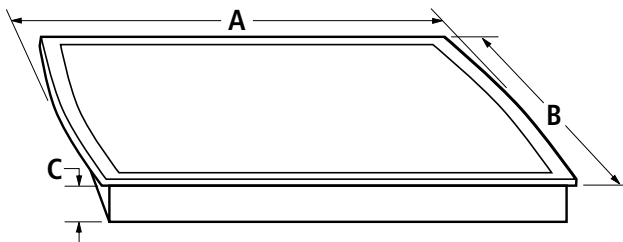
DIMENSIONS – shown in inches

MODEL NO.	36-INCH				30-INCH			
	KCGS956E	KCGS556E	KCGS356E	KGCC566R	KCGS950E	KCGS550E	KCGS350E	KGCC506R
PRODUCT DIMENSIONS								
Width – Widest Point (A)	36 ¹ / ₄	36 ¹ / ₄	37 ⁹ / ₁₆	36 ⁷ / ₁₆	30	30	30	30
Depth (B)	21	21	21	21 ₆	21	21	21	21
Burner Box Height* (C)	3 ⁵ / ₈	3 ⁵ / ₈	2 ⁷ / ₈	2 ⁷ / ₈	3 ⁵ / ₈	3 ⁵ / ₈	2 ⁷ / ₈	2 ⁷ / ₈
CUTOUT DIMENSIONS								
Width (D)	35 ¹ / ₄	35 ¹ / ₄	35 ¹ / ₄	35 ¹ / ₄	29	29	29	29
Depth (E)	20	20	19	19	20	20	19	19
Minimum Clearance to Rear Combustible Surface (F)	2 ⁷ / ₈	2 ⁷ / ₈	2 ⁷ / ₈	2 ⁷ / ₈	2 ⁷ / ₈	2 ⁷ / ₈	2 ⁷ / ₈	2 ⁷ / ₈
Minimum Clearance to Combustible Side Wall – Both Sides (G)	8**	8**	8 ³ / ₈	8 ³ / ₈	8**	8**	8 ³ / ₈	8 ³ / ₈
Minimum to Countertop Front Edge (H)	1 ¹ / ₈	1 ¹ / ₈	2 ¹ / ₈	2 ¹ / ₈	1 ¹ / ₈	1 ¹ / ₈	2 ¹ / ₈	2 ¹ / ₈

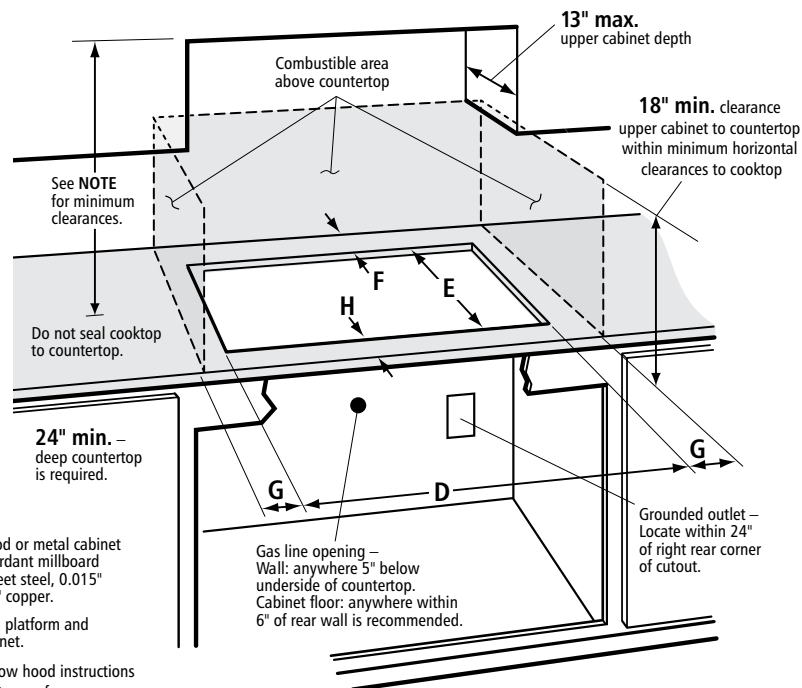
*Power/fuel supply/vent connections extend below cooktop and are not included in burner height dimensions.

**The combined distance from the left and right sidewalls must be a minimum of 48."

PRODUCT DIMENSIONS



CUTOUT DIMENSIONS



NOTE: 24" min. clearance if bottom of wood or metal cabinet is protected by not less than 1/4" flame retardant millboard covered with not less than No. 28 MSG sheet steel, 0.015" stainless steel, 0.024" aluminum, or 0.020" copper.

30" min. clearance between top of cooking platform and bottom of unprotected wood or metal cabinet.

If installing a hood above the cooktop, follow hood instructions for dimensional clearances above the cooktop surface.

GAS COOKTOP & WALL OVEN COMBINATION

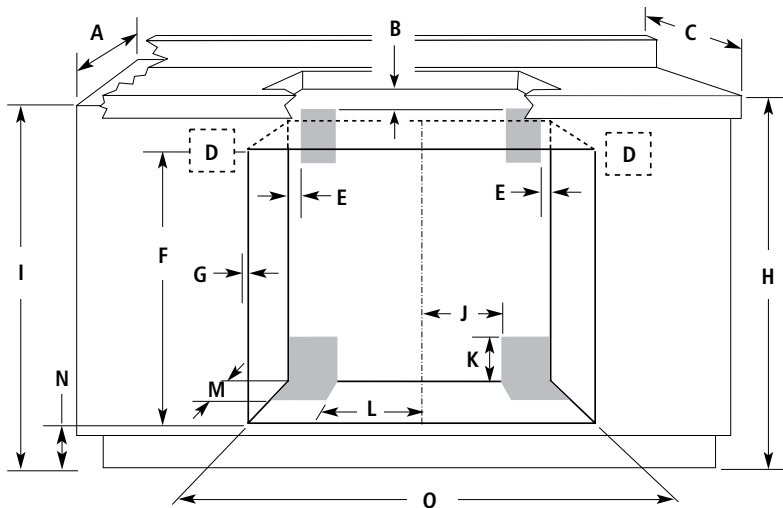
APPROVED MODEL NUMBER COMBINATIONS*

GAS COOKTOPS: KCGS956E, KCGS556E, KCGS356E, KGCC566R, KCGS950E, KCGS550E, KCGS350E, KGCC506R

WALL OVENS: KOSE500E, KOST100E, KOSE507E, KOST107E, KOSC504E

*For the approved model number combinations, refer to the undercounter label located on top of the oven chassis and on the bottom of the cooktop burner box.

CUTOUT DIMENSIONS



- A. 24" cabinet depth
- B. 1" clearance to bottom of countertop
- C. 25" countertop depth
- D. Recommended oven junction box locations
- E. 1" clearance to cabinet
- F. 27³/₄" minimum cutout height
- G. Allow ⁵/₈" for oven trim to overlap each side.
- H. 36" from cabinet base to countertop
- I. 31³/₈" from top of countertop to bottom of cutout
- J. Gas line through wall 10¹/₂" to center of cutout
- K. 3¹/₄"
- L. Gas line through floor 10¹/₂" to center of cutout
- M. 3¹/₂"
- N. 4⁵/₈" maximum from cabinet base
- O. See chart below

DIMENSIONS

OVEN SIZE	36"	30"	27"	24"
Oven Cutout Dimension	34 ¹ / ₂ "	28 ¹ / ₂ "	25 ¹ / ₂ "	22 ¹ / ₂ "

NOTE: For undercounter installation, it is recommended that the junction box for the oven be located in the adjacent right or left cabinet. A 1" minimum diameter hole should have been drilled in the upper rear right or left corner of the side wall surface to pass the appliance cable through to the junction box.

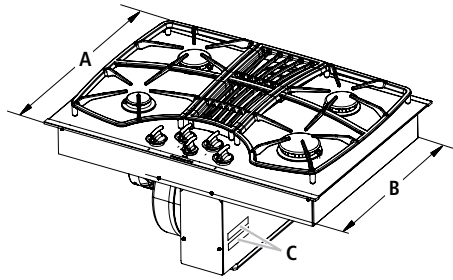
The upper shaded areas are recommended locations for recessed junction box for 120-volt grounded outlet for cooktop.

Lower shaded areas are recommended locations for flexible or rigid gas pipe installation. The gas connection on the cooktop is on the right (same location as "J" in the above diagram). The gas pipe can be installed on either side of the cutout, and either through the floor or through the wall. Refer to local codes regarding the use of gas lines.

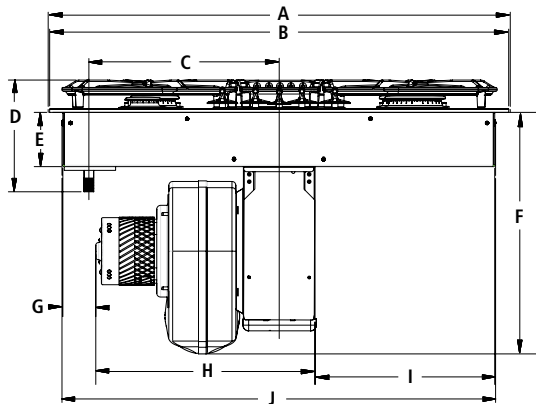
GAS DOWNDRAFT COOKTOP

PRODUCT DIMENSIONS

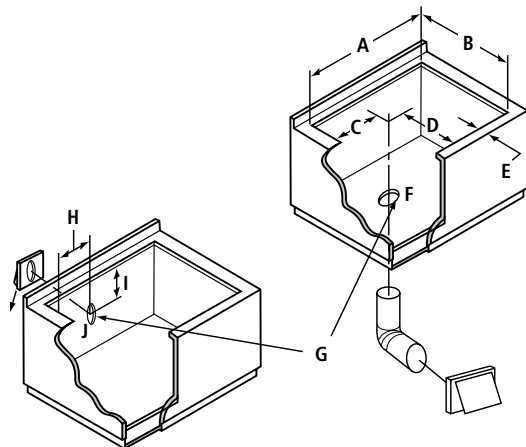
KGCD807X



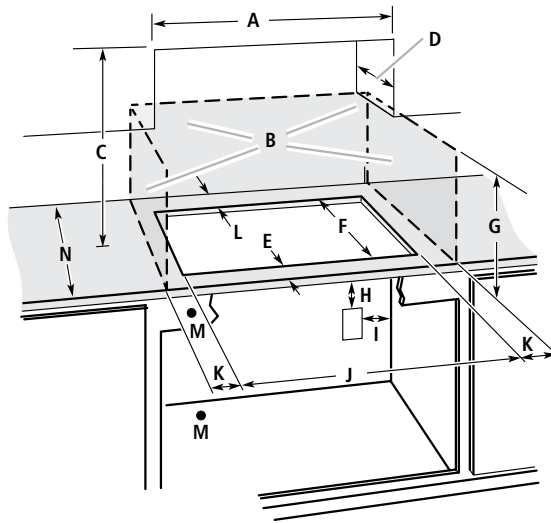
- A. KGCD807XBL: 21 1/2"
KGCD807XSS: 21 5/8"
- B. 19 3/4" screw head to screw head
- C. Model/serial rating/clearance plate location



- A. KGCD807XBL: 29 15/16"
KGCD807XSS: 30 1/16"
- B. 12 1/2" centerline of cooktop to centerline of gas manifold pipe
- C. 7 5/16"
- D. 3 3/8"
- E. 15"
- G. 2 3/16" recommended minimum cabinet to motor clearance
- H. 14 3/8"
- I. 11 13/16"
- J. 28 3/8" screw head to screw head



CUTOUT DIMENSIONS



- A. 30"
- B. Combustible area above countertop (shown by dashed box)
- C. 30" minimum clearance between top of cooktop platform and bottom of uncovered wood or metal cabinet (24" minimum clearance if bottom of wood or metal cabinet is covered by not less than 1/4" flame retardant millboard covered with not less than No. 28 MSG sheet steel, 0.015" stainless steel, 0.024" aluminum, or 0.020" copper)
- D. 13" recommended upper cabinet depth
- E. 2 1/8"
- F. 19 15/16"
- G. 18" minimum clearance from upper cabinet to countertop within minimum horizontal clearances to cooktop
- H. Junction box or outlet: 12" minimum from bottom of countertop
- I. Junction box or outlet: 10" from right-hand side of cabinet
- J. 28 5/8"
- K. 8" minimum distance to nearest left and right side combustible surface above cooktop
- L. 2" minimum clearance between back wall and countertop
- M. Gas line opening – wall: anywhere 6" below underside of countertop on the left side; cabinet floor: anywhere within 6" of rear wall on the left side is recommended.
- N. 25" depth of countertop

NOTES: After making the countertop cutout, some installations may require notching down the base cabinet side walls to clear the cooktop base. To avoid this modification, use a base cabinet with side walls wider than the cutout.

- A minimum side clearance of 6" is recommended between side of cooktop and side wall for maximum ventilation performance.
- A minimum clearance of 2" is recommended between the motor/blower and cabinet for proper cooling. A 6" clearance is recommended for servicing access.

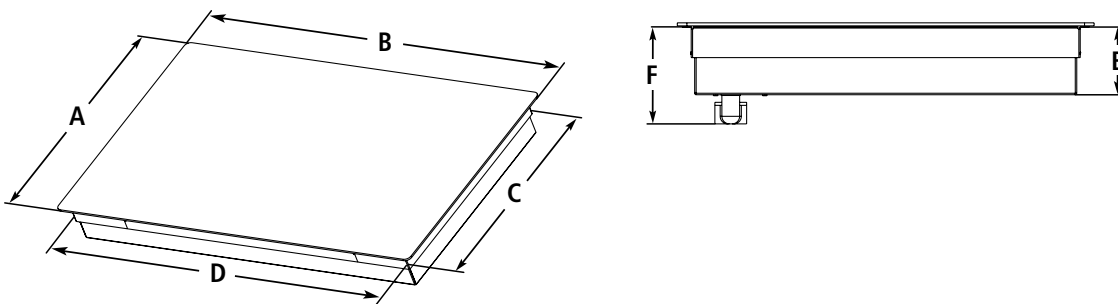
- A. 28 5/8" maximum
- B. 19 15/16" maximum
- C. 9 5/16"
- D. 6 13/16"
- E. 2 1/8" minimum space to front edge of cooktop
- F. Floor exhaust option
- G. 6 1/8" for 6" vent system;
5 1/8" for 5" vent system
- H. 9 5/16"
- I. 13 3/8" from the top of the countertop surface
- J. Wall exhaust option

ELECTRIC COOKTOPS

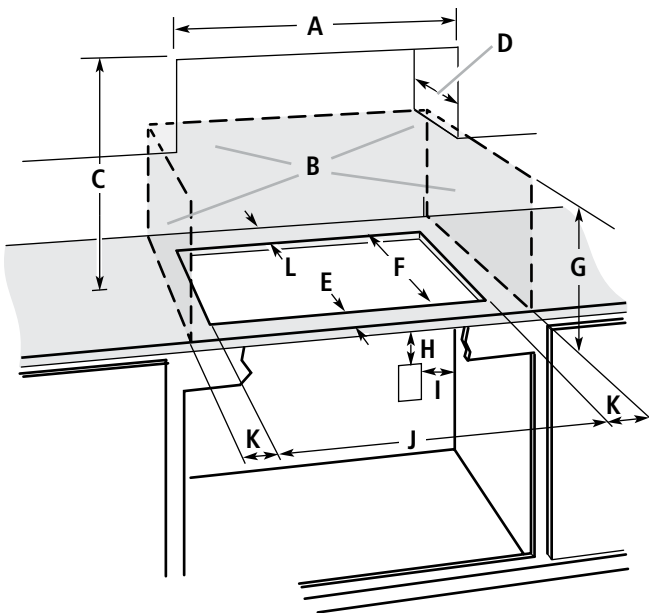
DIMENSIONS – shown in inches

MODEL NO.	36-INCH		30-INCH		15-INCH
	KECC667B	KECC664B	KECC607B	KECC604B	KECC056R
PRODUCT DIMENSIONS					
Depth of Glass (A)	21 ³ / ₄	21 ³ / ₄	21 ³ / ₄	21 ³ / ₄	21 ⁵ / ₁₆
Including Stainless Steel Trim (A)	22 ¹ / ₈	22 ¹ / ₈	22 ¹ / ₈	22 ¹ / ₈	—
Width of Glass (B)	36 ⁵ / ₁₆	36 ⁵ / ₁₆	30 ¹³ / ₁₆	30 ¹³ / ₁₆	16 ⁹ / ₁₆
Depth of Frame (C)	20 ¹ / ₄	20 ¹ / ₄	20 ¹ / ₄	20 ¹ / ₄	N/A
Width of Frame (D)	34 ⁷ / ₁₆	34 ⁷ / ₁₆	28 ¹⁵ / ₁₆	28 ¹⁵ / ₁₆	N/A
Height of Recessed Cooktop (E)	3 ³ / ₄	3 ³ / ₄	3 ³ / ₄	3 ³ / ₄	2 ⁷ / ₈
Including Conduit (F)	5 ¹ / ₄	5 ¹ / ₄	5 ¹ / ₄	5 ¹ / ₄	N/A

PRODUCT DIMENSIONS



CUTOUT DIMENSIONS

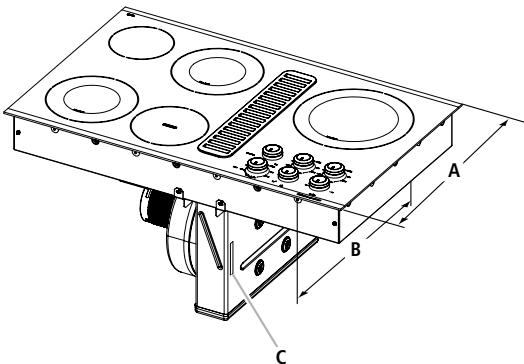


- A. 36" models: 36"
30" models: 30"
15" model: 15"
- B. Combustible area above countertop (shown by dashed box)
- C. 30" minimum clearance between top of cooktop platform and bottom of uncovered wood or metal cabinet (24" minimum clearance if bottom of wood or metal cabinet is covered by not less than 1/4" flame retardant millboard covered with not less than No. 28 MSG sheet steel, 0.015" stainless steel, 0.024" aluminum, or 0.020" copper)
- D. 13" recommended upper cabinet depth
- E. 2"
- F. 20¹/₂" recommended cutout depth (20³/₈" min. – 20⁹/₁₆" max.)
- G. 18" minimum clearance from upper cabinet to countertop within minimum horizontal clearances to cooktop
- H. Junction box or outlet: 7" minimum from top of countertop
- I. Junction box or outlet: 9" maximum from right side of cabinet
- J. 36" models: 35¹/₂" recommended cutout width (34⁹/₁₆" min. – 35⁹/₁₆" max.)
30" models: 29¹/₂" recommended cutout width (29¹/₁₆" min. – 29⁹/₁₆" max.)
15" model: 14¹/₂"
- K. 1" minimum distance to nearest left- and right-side combustible surface above cooktop
- L. 1" minimum clearance between back wall and countertop

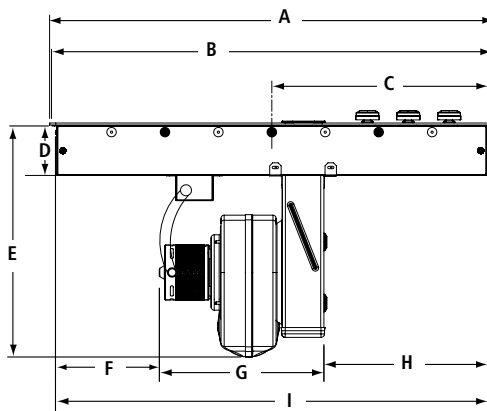
ELECTRIC DOWNDRAFT COOKTOPS

PRODUCT DIMENSIONS

KECD867X, KECD807X

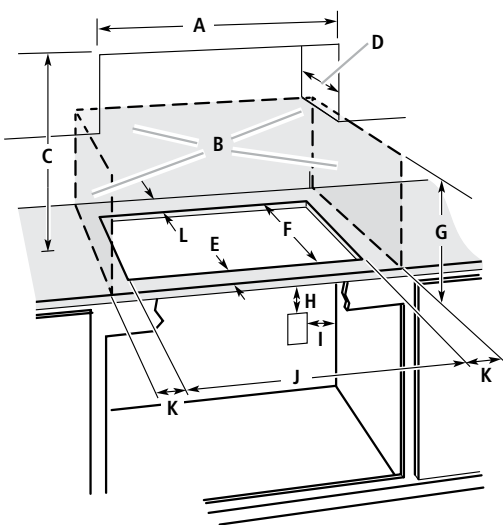


- A. KECD867XSS, KECD807XSS: 21⁵/₈"
KECD867XBL, KECD807XBL: 22"
- B. 21" screw head to screw head
- C. Model/serial rating/clearance plate location



- A. KECD867XSS: 35¹/₂"
KECD807XSS: 30¹/₁₆"
- B. KECD867XBL: 35⁷/₁₆"
KECD807XBL: 29⁵/₁₆"
- C. KECD867X: 17¹/₂"
KECD807X: 14³/₁₆"
- D. KECD867X: 3³/₁₆"
KECD807X: 4"
- E. 18⁷/₁₆"
- F. KECD867X: 8⁵/₁₆"
KECD807X: 1³/₈"
- G. 13¹/₈"
- H. KECD867X: 13¹/₁₆"
KECD807X: 14³/₁₆"
- I. Screw head to screw head
KECD867X: 34¹/₂"
KECD807X: 28⁵/₈"

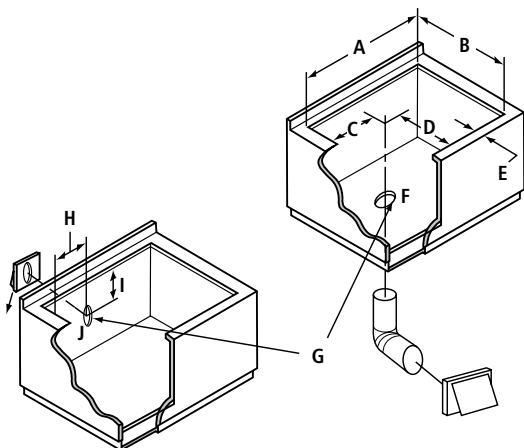
CUTOUT DIMENSIONS



- A. KECD867X: 36"
KECD807X: 30"
- B. Combustible area above countertop (shown by dashed box)
- C. 30" minimum clearance between top of cooktop platform and bottom of uncovered wood or metal cabinet (24" minimum clearance if bottom of wood or metal cabinet is covered by not less than 1/4" flame retardant millboard covered with not less than No. 28 MSG sheet steel, 0.015" stainless steel, 0.024" aluminum, or 0.020" copper)
- D. 13" recommended upper cabinet depth
- E. 2"
- F. 21¹/₈"
- G. 18" minimum clearance from upper cabinet to countertop within minimum horizontal clearances to cooktop
- H. Junction box or outlet: 12" minimum from bottom of countertop
- I. Junction box or outlet: 10" from right-hand side of cabinet
- J. KECD867X: 34⁹/₁₆"
KECD807X: 28⁷/₈"
- K. 2¹/₂" minimum distance to nearest left and right side combustible surface above cooktop
- L. 1¹/₂" minimum clearance between back wall and countertop

NOTES: After making the countertop cutout, some installations may require notching down the base cabinet side walls to clear the cooktop base. To avoid this modification, use a base cabinet with side walls wider than the cutout.

- A minimum side clearance of 6" is recommended between side of cooktop and side wall for maximum ventilation performance.
- A minimum clearance of 2" is recommended between the motor/blower and cabinet for proper cooling. A 6" clearance is recommended for servicing access.

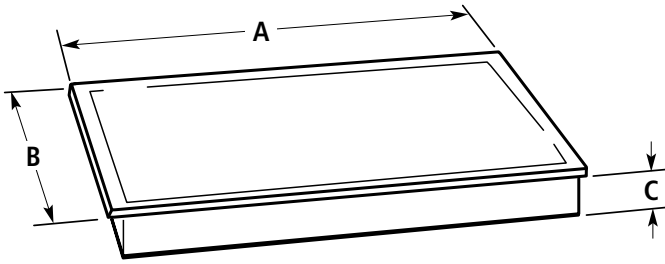


- A. KECD867X: 34⁹/₁₆" maximum
KECD807X: 28⁷/₈" maximum
- B. 21¹/₈" maximum
- C. KECD867X: 15⁷/₁₆"
KECD807X: 8⁵/₈"
- D. 6⁵/₁₆"
- E. 2" minimum space to front edge of cooktop
- F. Floor exhaust option
- G. 6¹/₈" for 6" vent system;
5¹/₈" for 5" vent system
- H. KECD867X: 15⁷/₁₆"
KECD807X: 8⁵/₈"
- I. 16"
- J. Wall exhaust option

INDUCTION COOKTOPS

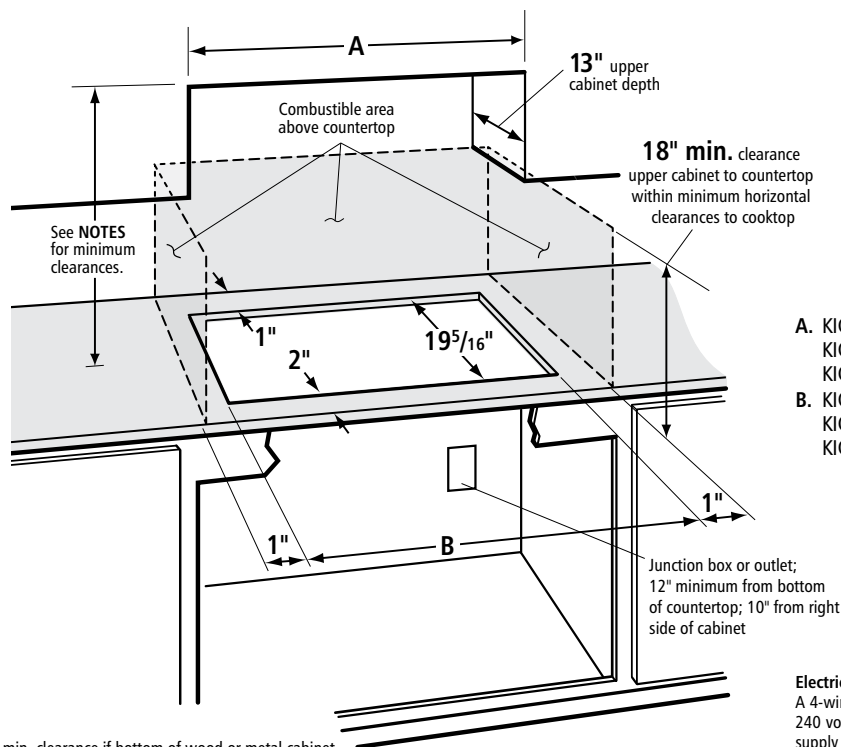
PRODUCT DIMENSIONS

KICU569X, KICU509X, KICU500X



- A. KICU569X: $36\frac{5}{16}$ "
KICU509X: $30\frac{3}{4}$ "
KICU500X: $30\frac{13}{16}$ "
- B. KICU569X/KICU509X: $21\frac{5}{16}$ "
KICU500X: $21\frac{9}{16}$ "
- C. KICU569X/KICU509X: $3\frac{1}{8}$ "
KICU500X: $3\frac{3}{32}$ "

CUTOUT DIMENSIONS



- A. KICU569X: $33\frac{1}{16}$ "
KICU509X: $29\frac{1}{2}$ "
KICU500X: 30"
- B. KICU569X: $33\frac{1}{16}$ "
KICU509X: $29\frac{1}{2}$ "
KICU500X: $29\frac{17}{32}$ "

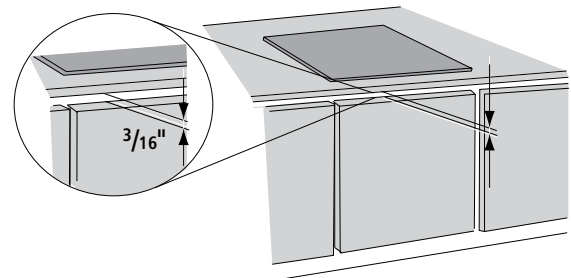
NOTES: 24" min. clearance if bottom of wood or metal cabinet is protected by not less than $\frac{1}{4}$ " flame retardant millboard covered with not less than No. 28 MSG sheet steel, 0.015" stainless steel, 0.024" aluminum, or 0.020" copper.

30" min. clearance between top of cooktop platform and bottom of unprotected wood or metal cabinet.

If installing a hood above the cooktop, follow hood instructions for dimensional clearances above the cooktop surface.

Electrical Requirements:
A 4-wire or 3-wire, single phase, 240 volt, 60 Hz., AC only electrical supply is required on a separate, 50-amp circuit (36" model) or 40-amp circuit (30" model), fused on both sides of the line.

IMPORTANT: For proper ventilation, provide a vent of $\frac{3}{16}$ " under the countertop, in the front of the cabinet. The ventilation opening is to extend the full length of the cooktop cutout. See the following illustration.



ELECTRIC COOKTOP & RETRACTABLE DOWNDRAFT SYSTEM COMBINATION

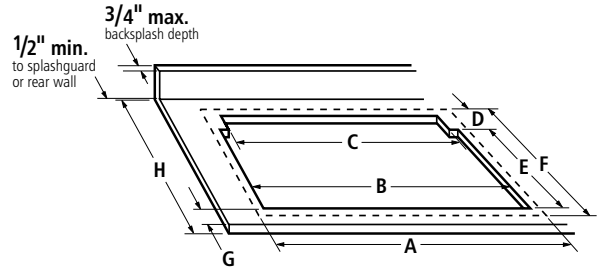
DIMENSIONS – shown in inches

MODEL NO.	30-INCH* KECC607B KECC605B KECC604B KECC602B
INSTALLED WITH RETRACTABLE DOWNDRAFT SYSTEM MODEL NO.	KXD4630Y
CUTOUT DIMENSIONS	
Width Cooktop and Downdraft Vent System (A)	31 1/2
Width Cooktop (B)	29 1/2
Width Downdraft Vent System (C)	27 1/2
Depth Downdraft Vent System (D)	2 1/8
Depth Cooktop (E)	20 1/2
Depth Cooktop and Downdraft Vent System (F)	23 1/4
Depth Countertop Front Edge to Cutout (G)	2
Depth Countertop (H)	25 7/8 min.

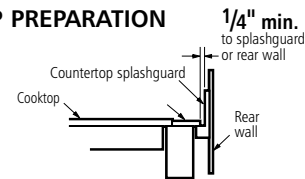
*Installation with retractable downdraft vent system requires countertop and base cabinet deeper than standard 25" deep countertop and 24" deep base cabinet.

CUTOUT DIMENSIONS

IMPORTANT: Countertops with a bullnosed front edge are not recommended for these installations.



COUNTERTOP PREPARATION



INDUCTION OR ELECTRIC COOKTOP & WALL OVEN COMBINATION

APPROVED MODEL NUMBER COMBINATIONS*

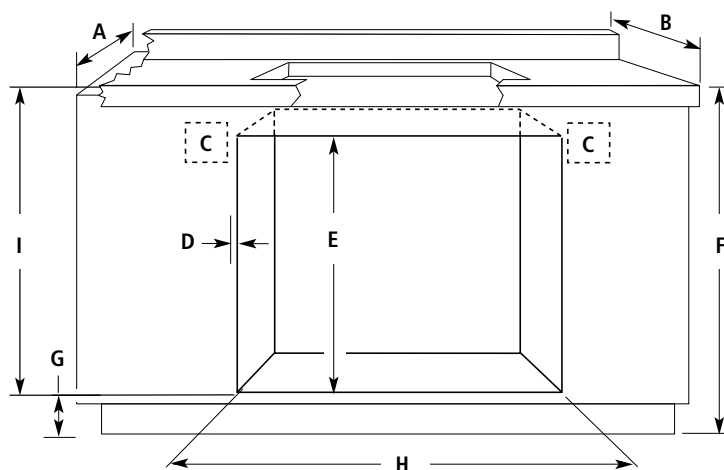
INDUCTION COOKTOPS: KICU569X, KICU509X

ELECTRIC COOKTOPS: KECC667B, KECC664B, KECC607B, KECC605B, KECC604B, KECC602B, KECC056R

WALL OVENS: KEBC167V, KEBU107S, KEBS109B, KEBK101B, KESB179B, KEBK171B, KEBC147V

*For the approved model number combinations, refer to the undercounter label located on top of the oven chassis and on the bottom of the cooktop burner box.

CUTOUT DIMENSIONS



NOTE: For undercounter installation, it is recommended that the junction boxes for oven and cooktop be located in the adjacent right or left cabinet. A 1" minimum diameter hole should have been drilled in the upper rear right or left corner of the side wall surface to pass the appliance cable through to the junction box.

- A. 24" cabinet depth
- B. 25" countertop depth
- C. Recommended oven and cooktop junction box locations
- D. Allow 5/8" for oven to overlap on each side
- E. 27 3/4" minimum cutout height
- F. 36" from cabinet base to countertop
- G. Induction cooktop: 3 5/8" from cabinet base.
If dimension "F" is greater than 36" dimension "G" can be increased the same difference for induction combinations.
Electric cooktop: 4 5/8" maximum from cabinet base
- H. See chart below
- I. Induction cooktop: 32 3/8" from top of countertop to bottom of cutout
Electric cooktop: 31 3/8" from top of countertop to bottom of cutout

DIMENSIONS

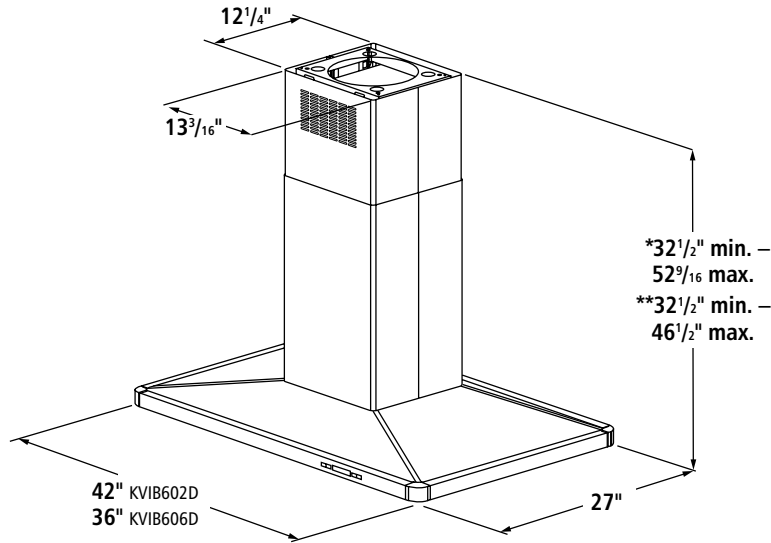
OVEN SIZE	36"	30"	27"	24"
Oven Cutout Dimension	34 1/2"	28 1/2"	25 1/2"	22 1/2"

Dimensions are for planning purposes only. For complete details, see Installation Instructions packed with product. Specifications subject to change without notice.

ISLAND-MOUNT CANOPY HOODS

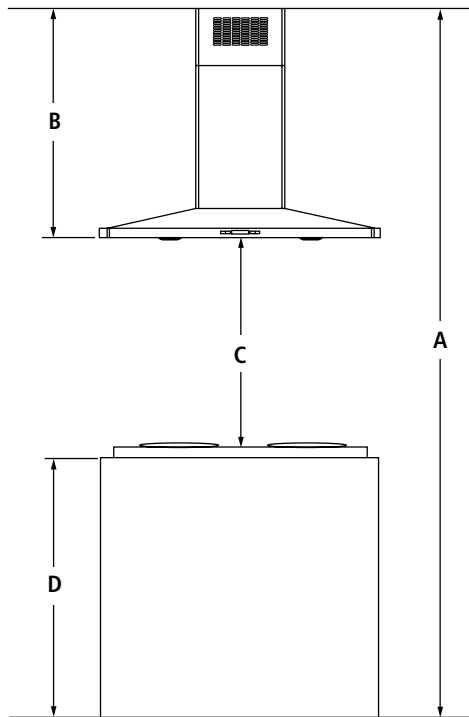
PRODUCT DIMENSIONS

KVIB602D, KVIB606D



*For non-vented (recirculating) installation
 **For vented installation

CUTOUT DIMENSIONS



- A. Ceiling height
- B. Hood height from ceiling to bottom of the hood: $A - C - D = B$
- C. Hood height: 24" min. from electric cooking surface, 27" min. from gas cooking surface, suggested 36" max.
- D. Countertop height

IMPORTANT:

Minimum distance "C": 24" from electric cooking surface

Minimum distance "C": 27" from gas cooking surface

Suggested maximum distance "C": 36"

For vented installation, the chimney can be adjusted for ceilings between 7' 8 1/2" and 9' 10 1/2".

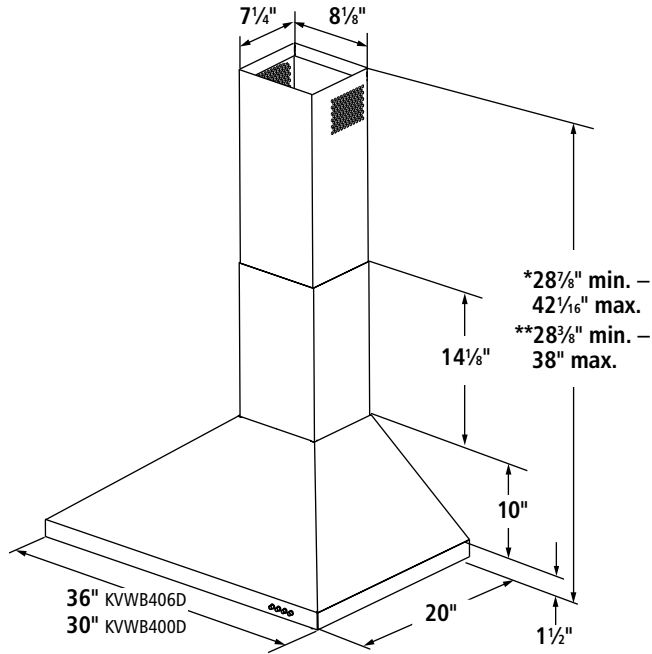
For non-vented (recirculating) installation, the chimney can be adjusted for ceilings between 7' 8 1/2" and 10' 4 1/2".

NOTE: The hood chimney is adjustable and designed to meet varying ceiling or soffit heights, depending on the distance "C" between the bottom of the hood and the cooking surface. For higher ceilings, a chimney extension kit (Part No. W10272078) is available from your dealer or an authorized parts distributor. The chimney extension replaces the upper chimney shipped with the hood.

WALL-MOUNT CANOPY HOODS

PRODUCT DIMENSIONS

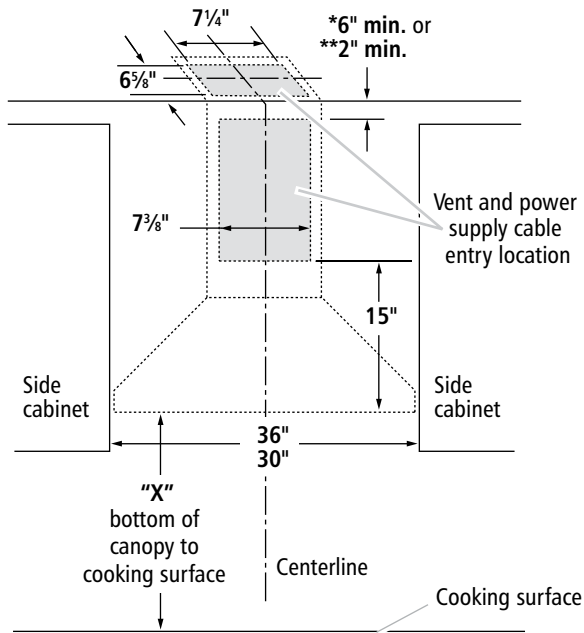
KVWB406D, KVWB400D



*For non-vented (recirculating) installation

**For vented installation

CUTOUT DIMENSIONS



*For non-vented (recirculating) installation

**For vented installation

IMPORTANT:

Minimum distance "X": 24" from electric cooking surface

Minimum distance "X": 27" from gas cooking surface

Suggested maximum distance "X": 36"

For vented installation, the chimney can be adjusted for ceilings between 7' 4³/₈" and 9' 2."

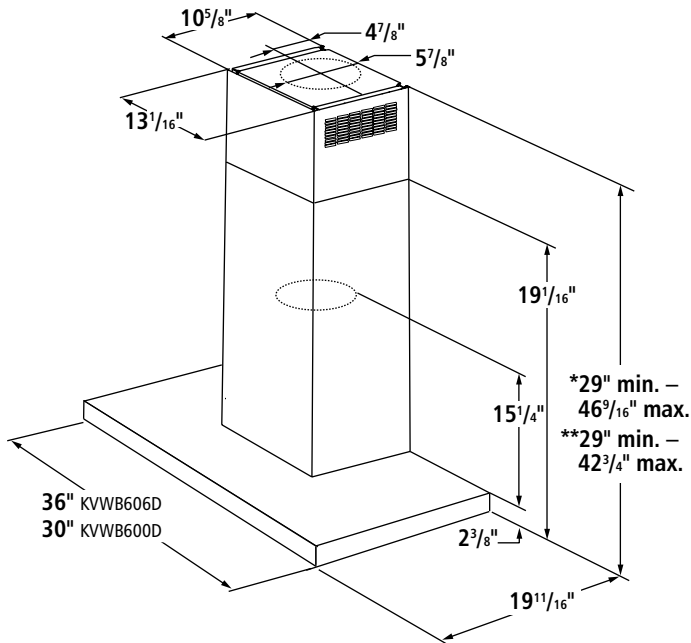
For non-vented (recirculating) installation, the chimney can be adjusted for ceilings between 7' 4⁷/₈" and 9' 6."

NOTE: The hood chimney is adjustable and designed to meet varying ceiling or soffit heights, depending on the distance "X" between the bottom of the hood and the cooking surface. For higher ceilings, a chimney extension kit (Part No. W10337357) is available from your dealer or an authorized parts distributor. The chimney extension replaces the upper chimney shipped with the hood.

WALL-MOUNT CANOPY HOODS (CONTINUED)

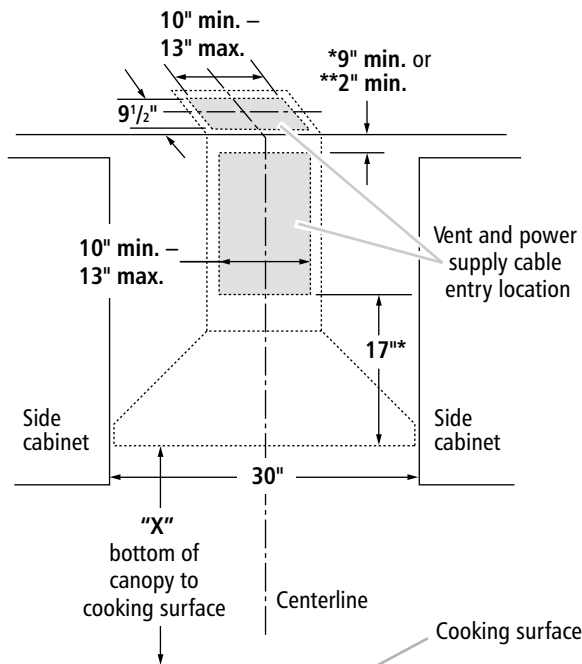
PRODUCT DIMENSIONS

KVWB606D, KVWB600D



*For non-vented (recirculating) installation
 **For vented installation

CUTOUT DIMENSIONS



*For non-vented (recirculating) installation
 **For vented installation

IMPORTANT:

Minimum distance "X": 24" from electric cooking surface
 Minimum distance "X": 27" from gas cooking surface
 Suggested maximum distance "X": 36"

For vented installation, the chimney can be adjusted for ceilings between 7' 5" and 9' 6³/₄".

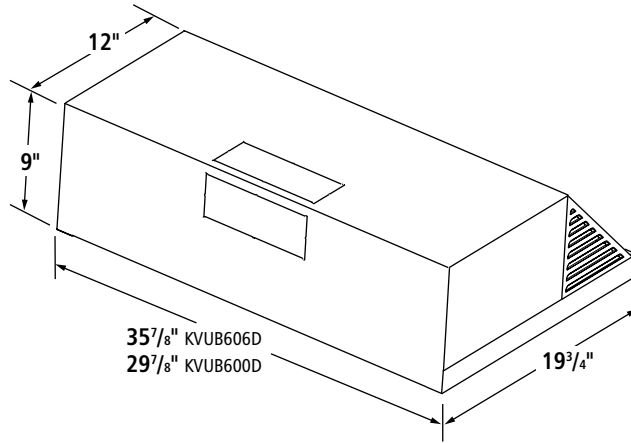
For non-vented (recirculating) installation, the chimney can be adjusted for ceilings between 7' 5" and 9' 10¹/₂".

NOTE: The hood chimney is adjustable and designed to meet varying ceiling or soffit heights, depending on the distance "X" between the bottom of the hood and the cooking surface. For higher ceilings, a chimney extension kit (Part No. W10272075) is available from your dealer or an authorized parts distributor. The chimney extension replaces the upper chimney shipped with the hood.

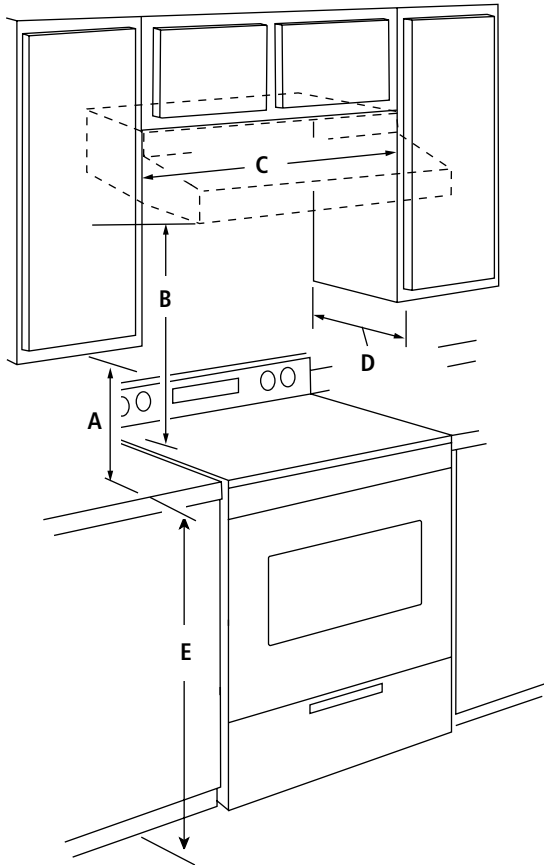
■ UNDER-CABINET SYSTEMS

PRODUCT DIMENSIONS

KVUB606D, KVUB600D



CUTOUT DIMENSIONS



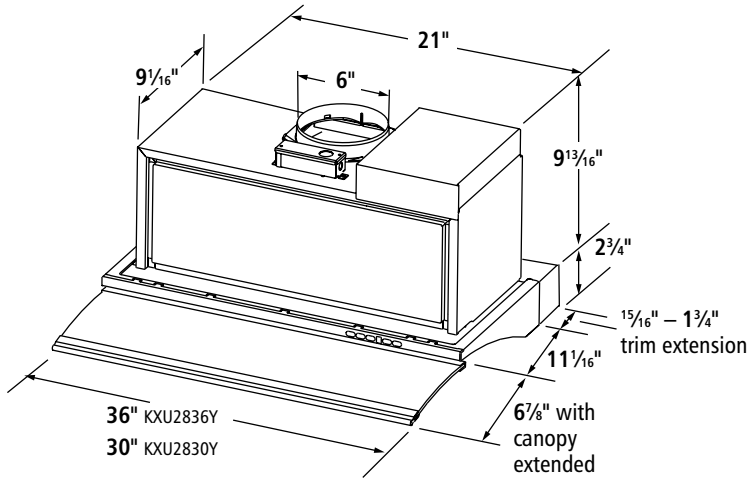
- A. 18" min. clearance – upper cabinet to countertop
- B. 24" min. for electric cooking surface, 27" min. for gas cooking surface, 30" suggested max. – bottom of hood to cooking surface
- C. 36" or 30" cabinet opening width
- D. 13" cabinet depth
- E. 36" base cabinet height

Dimensions are for planning purposes only. For complete details, see Installation Instructions packed with product. Specifications subject to change without notice.

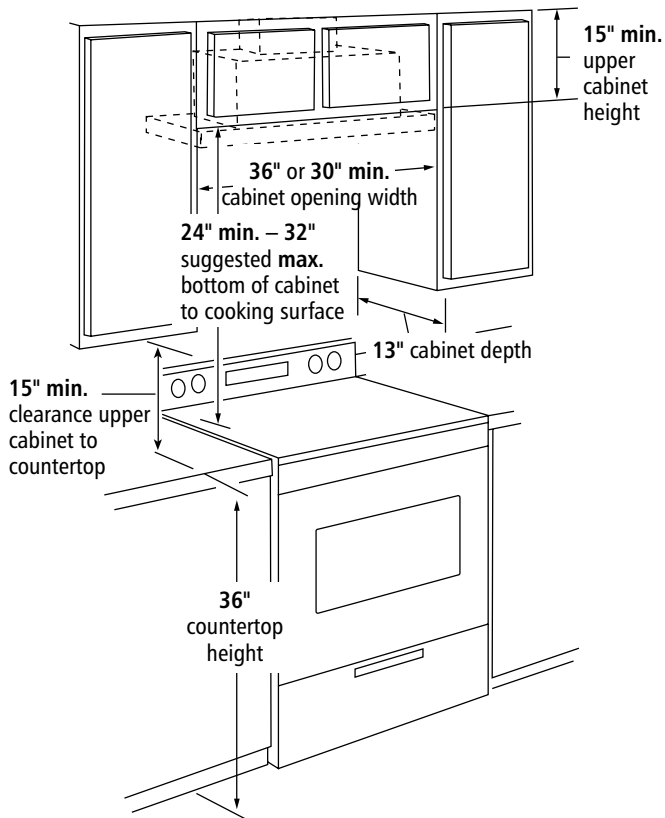
SLIDE-OUT VENTILATION

PRODUCT DIMENSIONS

KXU2836Y, KXU2830Y



CUTOUT DIMENSIONS



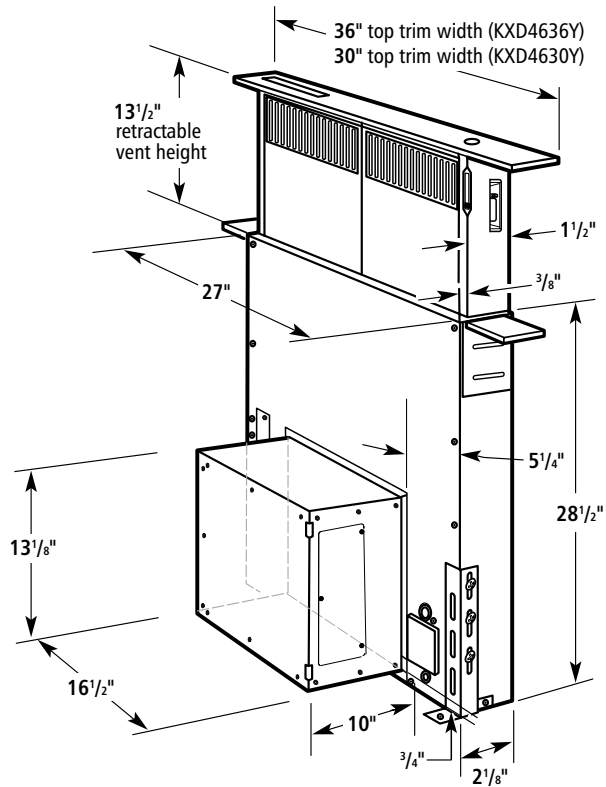
Dimensions are for planning purposes only. For complete details, see Installation Instructions packed with product. Specifications subject to change without notice.

RETRACTABLE DOWNDRAFT SYSTEM

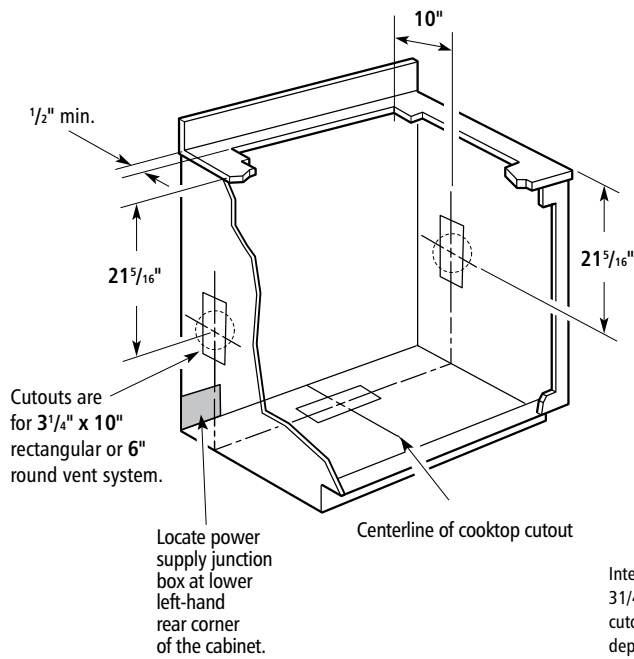
FIT UNDER STANDARD-SIZED CABINETS

PRODUCT DIMENSIONS

KXD4636Y, KXD4630Y



CUTOUT DIMENSIONS

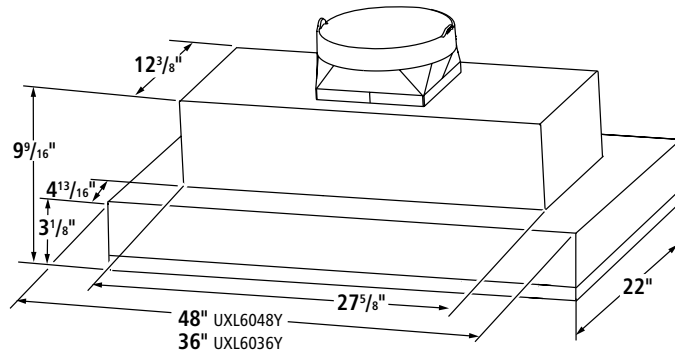


Interior-mounted blower system connects with $3\frac{1}{4}'' \times 10''$ rectangular or 6" round vent. The cutout location for this ventilation system will depend on your specific installation.

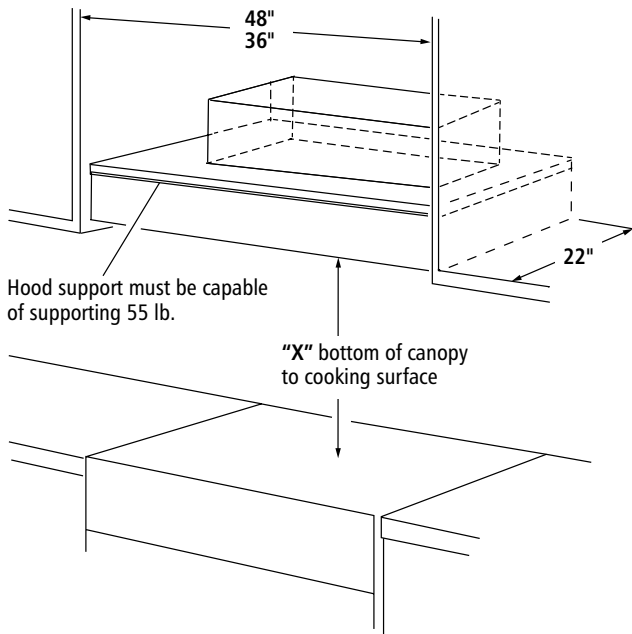
CUSTOM HOOD LINERS

PRODUCT DIMENSIONS

UXL6048Y, UXL6036Y



CUTOUT DIMENSIONS



IMPORTANT:

Minimum distance "X": 24" from electric cooking surface

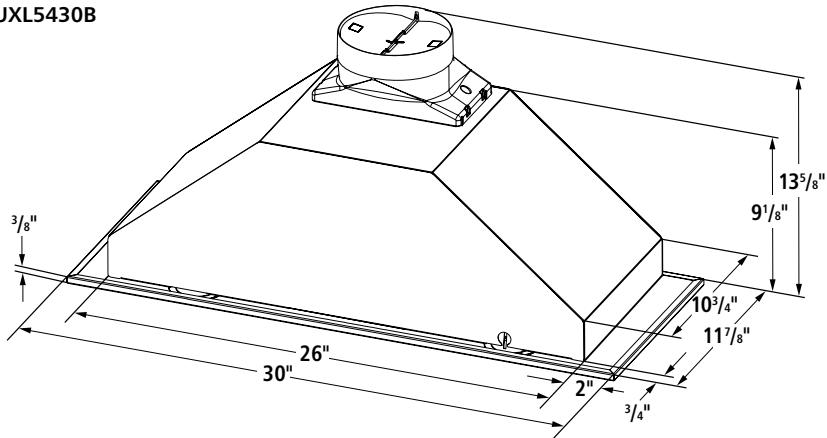
Minimum distance "X": 30" from gas cooking surface

Suggested maximum distance "X": 36"

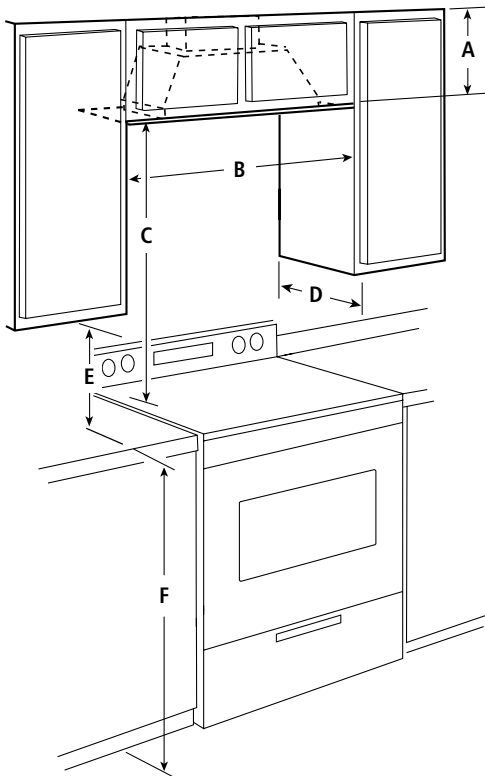
CUSTOM HOOD LINERS (CONTINUED)

PRODUCT DIMENSIONS

UXL5430B



CUTOUT DIMENSIONS



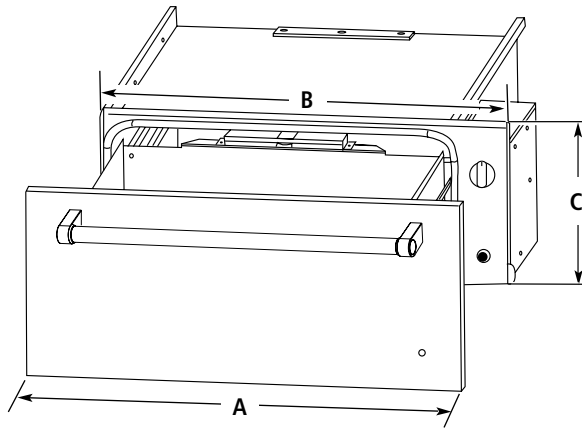
- A. 12" min. upper cabinet height
- B. 30" cabinet opening width
- C. 24" min., 36" suggested max. bottom of cabinet to cooking surface
- D. 12" cabinet depth*
- E. 15" min. clearance upper cabinet to countertop
- F. 36" base cabinet height

*NOTE: Can be 12" deep or 18" deep cabinets.
For 18" deep cabinets, an optional "Face Panel Rear Extension" must be purchased separately, see Use and Care Guide.

WARMING DRAWERS

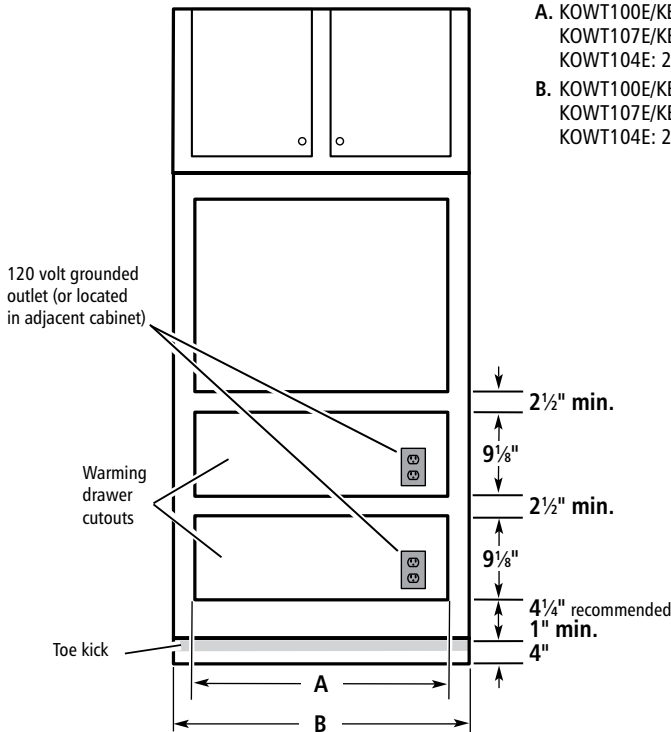
PRODUCT DIMENSIONS

KOWT100E, KOWT107E, KEWS100B, KEWS175B, KOWT104E



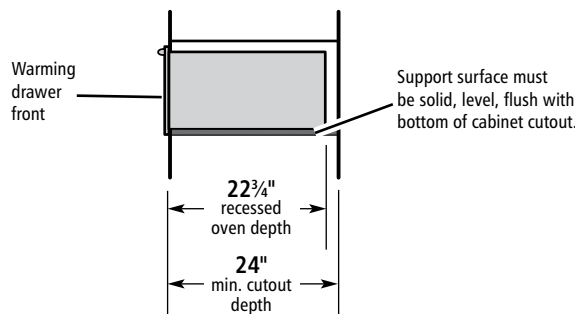
- A. KOWT100E/KEWS100B: 29³/₄" overall width
KOWT107E/KEWS175B: 26³/₄" overall width
KOWT104E: 23³/₄" overall width
- B. KOWT100E/KEWS100B: 28¹/₄" recessed width
KOWT107E/KEWS175: 25¹/₄" recessed width
KOWT104E: 22¹/₄" recessed width
- C. 9" recessed height

CUTOUT DIMENSIONS



- A. KOWT100E/KEWS100B: 28¹/₂" cutout width
KOWT107E/KEWS175B: 25¹/₂" cutout width
KOWT104E: 22¹/₂" cutout width
- B. KOWT100E/KEWS100B: 30" min. cabinet width
KOWT107E/KEWS175B: 27" min. cabinet width
KOWT104E: 24" min. cabinet width

Cabinet Side View

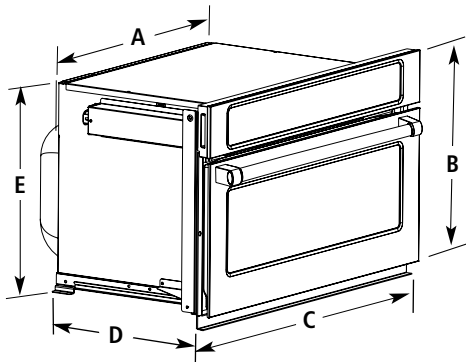


Dimensions are for planning purposes only. For complete details, see Installation Instructions packed with product. Specifications subject to change without notice.

BUILT-IN MICROWAVE OVENS

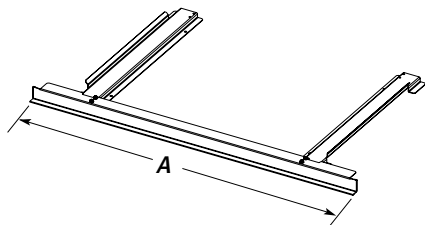
PRODUCT DIMENSIONS

KMBP100E, KMBP107E



- A. KMBP100E: 25⁵/₈" recessed width
KMBP107E: 25⁵/₈" recessed width
- B. 18⁵/₈" overall height
- C. KMBP100E: 29³/₄" overall width
KMBP107E: 26³/₄" overall width
- D. 21¹/₂" overall depth
- E. 17³/₈" recessed height

SPACER KIT DIMENSIONS



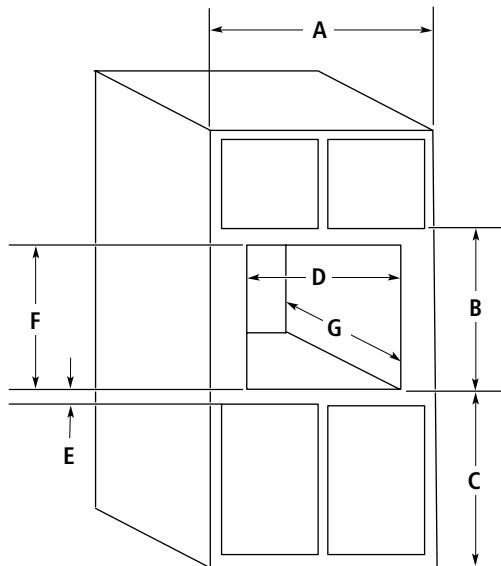
The included microwave oven spacer kit will allow the microwave oven to be installed in a 17³/₈"-17³/₄" maximum cutout height.

- A. KMBP100E: 29³/₄" overall width
KMBP107E: 26³/₄" overall width

An optional microwave oven spacer kit is available that will allow the microwave oven to be installed in a 19"-19³/₁₆" maximum cutout height.

- KMBP100E: Model W10469903
- KMBP107E: Model W10469901

CUTOUT DIMENSIONS



- A. KMBP100E: 30" min. cabinet width
KMBP107E: 27" min. cabinet width
 - B. 18⁵/₈" height from bottom of cutout to bottom of upper cabinet door
 - C. 40" bottom of cutout to floor (recommended)
 - D. KMBP100E: 28¹/₂" cutout width
KMBP107E: 25¹/₂" cutout width
 - E. 1¹/₂" min. bottom of cutout to top of cabinet door
 - F. 17⁵/₈" recommended cutout height*
 - G. 21⁷/₈" min. cutout depth
- *Will fit cutout height from 17³/₈" to 17³/₄"

LOCATION REQUIREMENTS

Electrical supply junction box should be located 3" maximum below the support surface when the microwave oven is installed in a wall cabinet. A 1" minimum diameter hole should have been drilled in the right rear or left rear corner of the support surface to pass the appliance cable through to the junction box.

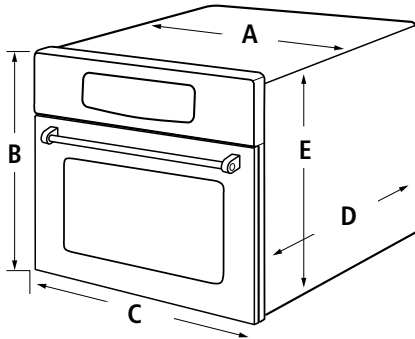
Regarding Flush Install

Flush Install requires a special kit.

BUILT-IN MICROWAVE OVENS (CONTINUED)

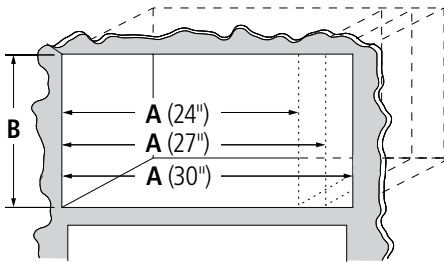
PRODUCT DIMENSIONS

KMBS104E

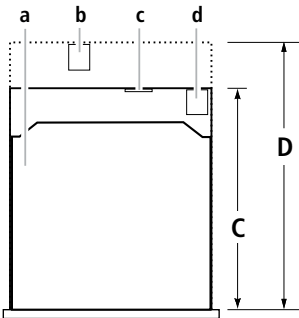


- A. 21⁷/₈" recessed width
 - B. 18" overall height*
 - C. 23³/₄" overall width*
 - D. 18¹/₄" recessed depth
 - E. 17¹/₂" recessed height
- *Measurements include front facing of microwave oven.

CUTOUT DIMENSIONS



- A. 24" installation: 22¹/₄" ± ³/₁₆" width
 27" installation: 25³/₄" ± ³/₁₆" width
 30" installation: 25³/₄" min.-28³/₄" max. width
- B. 17⁵/₈" height
- C. 21³/₄" depth with flush receptacle or with non-flush receptacle located in far corner.
- D. 26¹/₄" depth with non-flush receptacle



- a. Microwave oven
- b. Non-flush receptacle
- c. Flush receptacle
- d. Non-flush receptacle located in upper right or upper left hand corner.

Regarding Flush Install

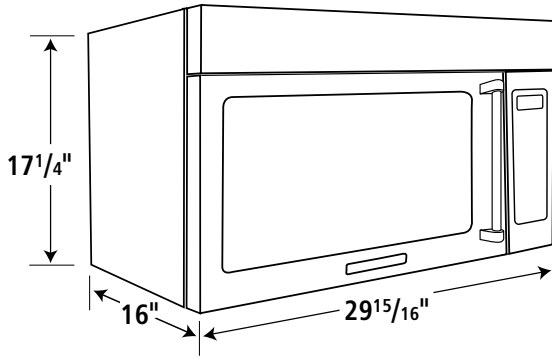
Flush Install requires a special kit.

MICROWAVE HOOD COMBINATION OVENS

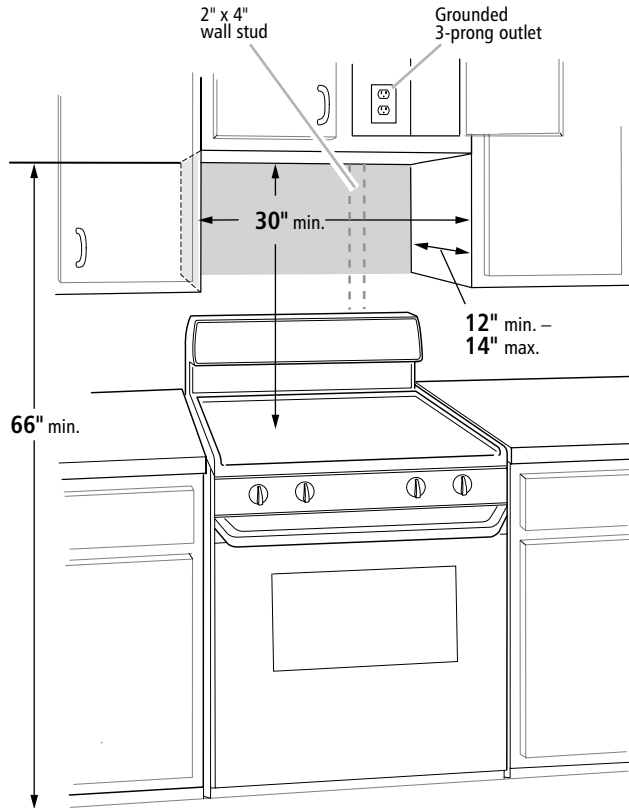
PRODUCT DIMENSIONS

KMHC319E – 30-Inch

KMHS120E – 30-Inch



CUTOUT DIMENSIONS



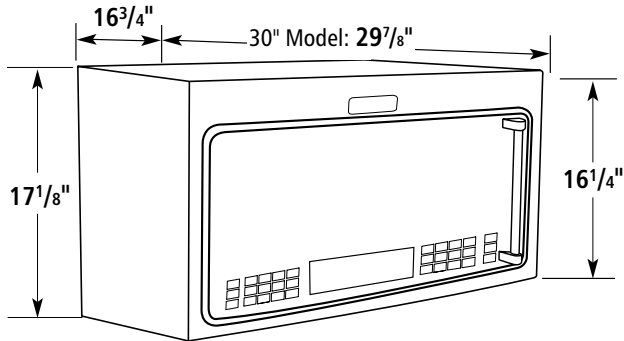
Dimensions are for planning purposes only. For complete details, see Installation Instructions packed with product. Specifications subject to change without notice.

MICROWAVE HOOD COMBINATION OVENS

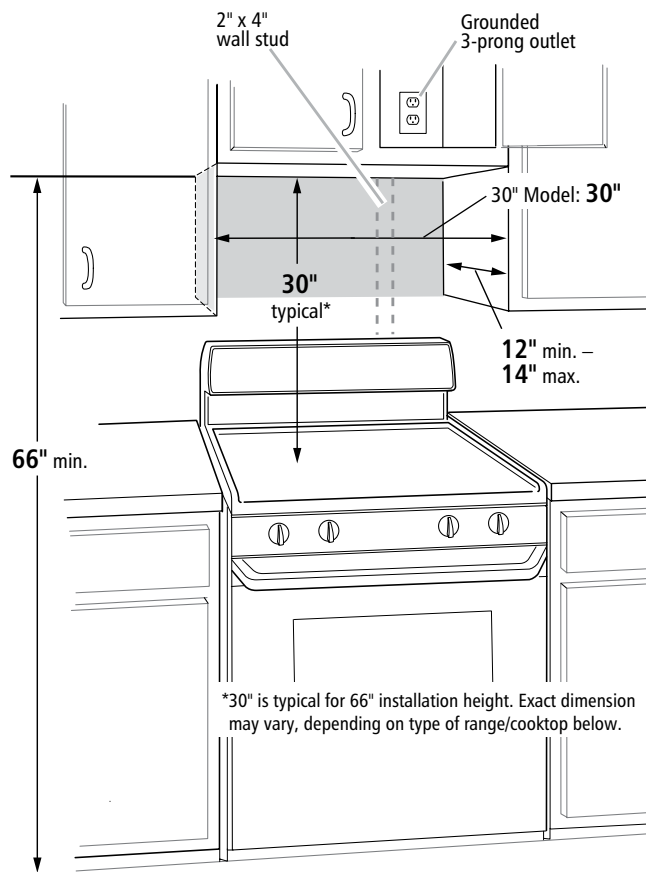
(CONTINUED)

PRODUCT DIMENSIONS

KMHP519E – 30-Inch



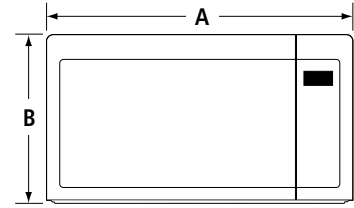
CUTOUT DIMENSIONS



COUNTERTOP MICROWAVE OVENS

PRODUCT DIMENSIONS – shown in inches

MODEL NO.	KCMC1575B	KCMS2255B	KCMS1655B
Overall Width (A)	18 ⁷ / ₈	24	21 ³ / ₄
Overall Height (B)	12 ³ / ₈	12 ⁹ / ₁₆	13



BUILT-IN TRIM KITS

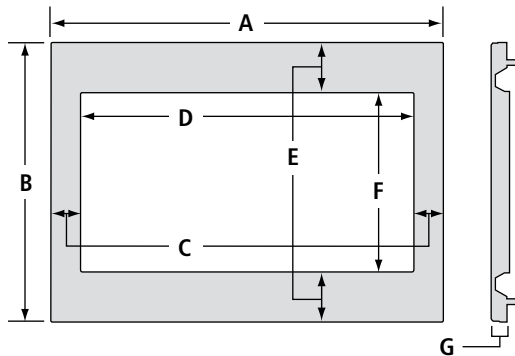
DIMENSIONS – shown in inches

TRIM KIT MODEL NO.	30-INCH MKC2150A	27-INCH MKC2157A	30-INCH MK2220A	27-INCH MK2227A	30-INCH MK2160A	27-INCH MK2167A
For Use with Microwave Oven	KCMC1575B	KCMC1575B	KCMS2255B	KCMS2255B	KCMS1655B	KCMS1655B
TRIM KIT DIMENSIONS						
Overall Width (A)	29 ³ / ₄	26 ⁷ / ₈	29 ³ / ₄	26 ⁷ / ₈	29 ³ / ₄	26 ⁷ / ₈
Overall Height (B)	19 ¹ / ₈	19 ¹ / ₈	18 ⁷ / ₈	18 ⁷ / ₈	19 ¹ / ₈	19 ¹ / ₈
Side Trim Width (C)	3 ¹ / ₂	2 ¹ / ₁₆	2 ³ / ₈	1 ³ / ₁₆	3 ¹ / ₂	2 ¹ / ₁₆
Opening Width (D)	22 ³ / ₄	22 ³ / ₄	25	25	22 ³ / ₄	22 ³ / ₄
Top/Bottom Trim Height (E)	3 ⁷ / ₁₆	3 ⁷ / ₁₆	2 ¹⁵ / ₁₆	2 ¹⁵ / ₁₆	3 ⁷ / ₁₆	3 ⁷ / ₁₆
Opening Height (F)	12 ¹ / ₄	12 ¹ / ₄	13 ¹ / ₁₆	13 ¹ / ₁₆	12 ¹ / ₄	12 ¹ / ₄
Trim Depth (G)	1 ³ / ₁₆	1 ³ / ₁₆	1	1	1 ³ / ₁₆	1 ³ / ₁₆
CUTOUT DIMENSIONS						
Opening Width (H)*	23 ¹ / ₈	23 ¹ / ₈	25 ¹ / ₂	25 ¹ / ₂	23 ¹ / ₈	23 ¹ / ₈
Opening Height (I)	17 min. – 17 ¹ / ₈ max.		17 min. – 17 ¹ / ₈ max.		17 min. – 17 ¹ / ₈ max.	
Opening Depth (J)	18 (flush receptacle)** 21 (non-flush receptacle)**		22 ³ / ₄ (±1/16)	22 ³ / ₄ (±1/16)	18 (flush receptacle)** 21 (non-flush receptacle)**	
Top/Bottom Trim Overhang (K)	1 ¹ / ₁₆	1 ¹ / ₁₆	1 ¹ / ₁₆	1 ¹ / ₁₆	1 ¹ / ₁₆	1 ¹ / ₁₆

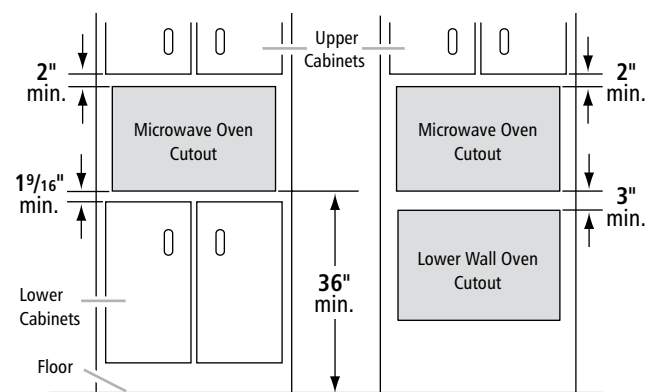
*NOTE: Width measurement has ± 1/16" tolerance.

**If receptacle is outside of recommended location, minimum depth is 19¹/₂" with flush receptacle or 22¹/₂" with non-flush receptacle.

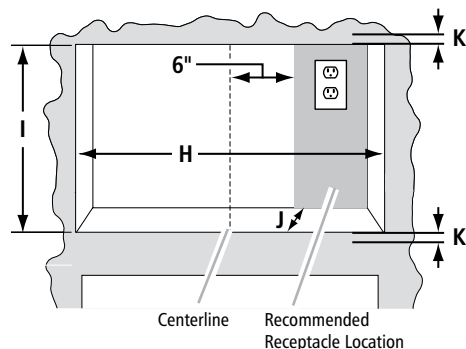
TRIM KIT DIMENSIONS



LOCATION REQUIREMENTS



CUTOUT DIMENSIONS

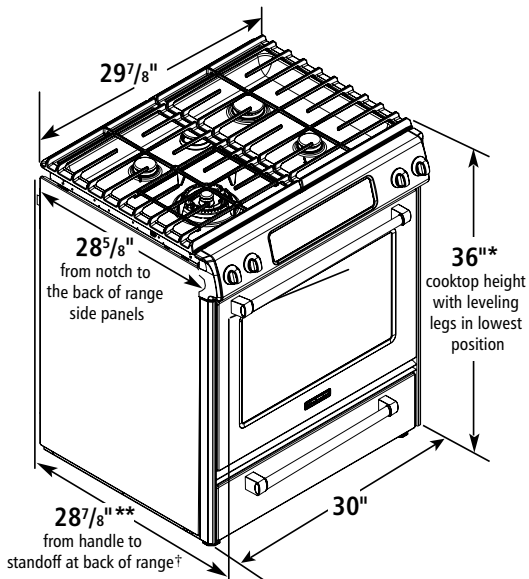


Dimensions are for planning purposes only. For complete details, see Installation Instructions packed with product. Specifications subject to change without notice.

SLIDE-IN DUEL FUEL & GAS RANGES

PRODUCT DIMENSIONS

KSDB900E, KSGB900E, KSGG700E, KSDG950E

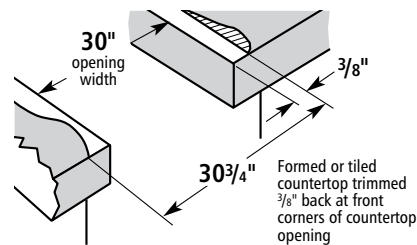


*Range can be raised approximately 1" by adjusting the leveling legs.

**When installed in a 24" base cabinet with 25" countertop, front of oven door protrudes 1 3/4" beyond 24" base cabinet.

†For Pro Line® Series handles, depth is 27 11/16".

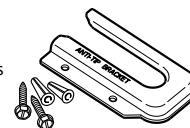
COUNTERTOP PREPARATION



Countertop must be level. Place level on countertop – first side-to-side, then front-to-back. If countertop is not level, range will not be level. Oven must be level for satisfactory baking conditions.

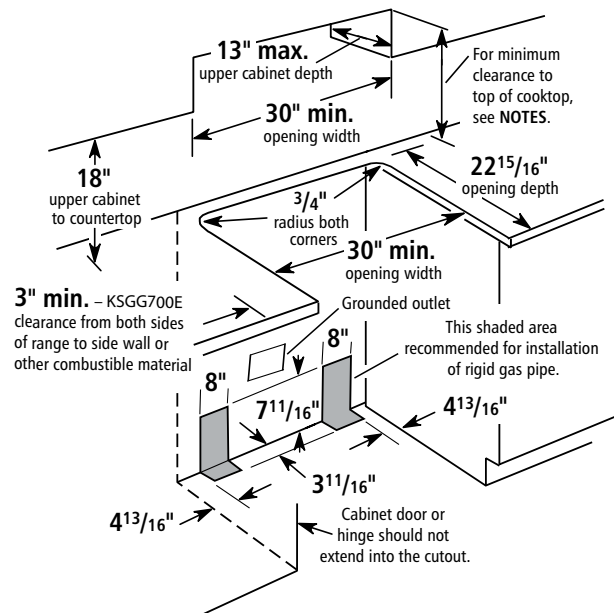
Anti-tip bracket:

Anti-tip bracket must be securely mounted to subfloor. Thickness of flooring may require longer screws to anchor bracket to subfloor. Longer screws are available from your local hardware store.



CUTOUT DIMENSIONS

Cabinet opening dimensions shown are for 25" countertop depth, 24" base cabinet depth, and 36" countertop height.



NOTES: 24" minimum when bottom of wood or metal cabinet is protected by not less than 1/4" flame retardant millboard covered with not less than No. 28 MSG sheet steel, 0.015" stainless steel, 0.024" aluminum, or 0.020" copper.

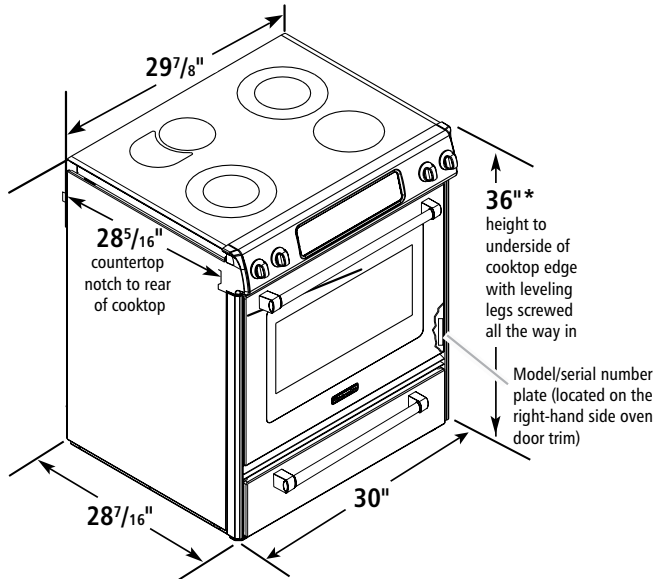
30" minimum clearance between the top of the cooking platform and the bottom of an unprotected wood or metal cabinet.

If installing a hood or microwave hood combination above the range, follow hood or microwave hood combination installation instructions for dimensional clearances above the cooking surface.

SLIDE-IN ELECTRIC RANGES

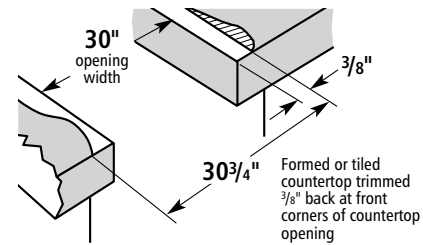
PRODUCT DIMENSIONS

KSEB900E, KSEG700E, KSEG950E



*Range can be raised approximately 1" by adjusting the leveling legs.

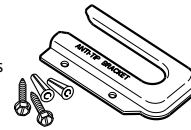
COUNTERTOP PREPARATION



Countertop must be level. Place level on countertop – first side-to-side, then front-to-back. If countertop is not level, range will not be level. Oven must be level for satisfactory baking conditions.

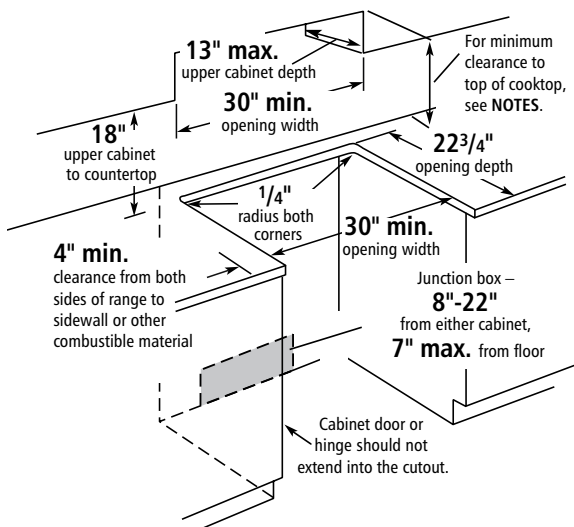
Anti-tip bracket:

Anti-tip bracket must be securely mounted to subfloor. Thickness of flooring may require longer screws to anchor bracket to subfloor. Longer screws are available from your local hardware store.



CUTOUT DIMENSIONS

Cabinet opening dimensions shown are for 25" countertop depth, 24" base cabinet depth, and 36" countertop height.

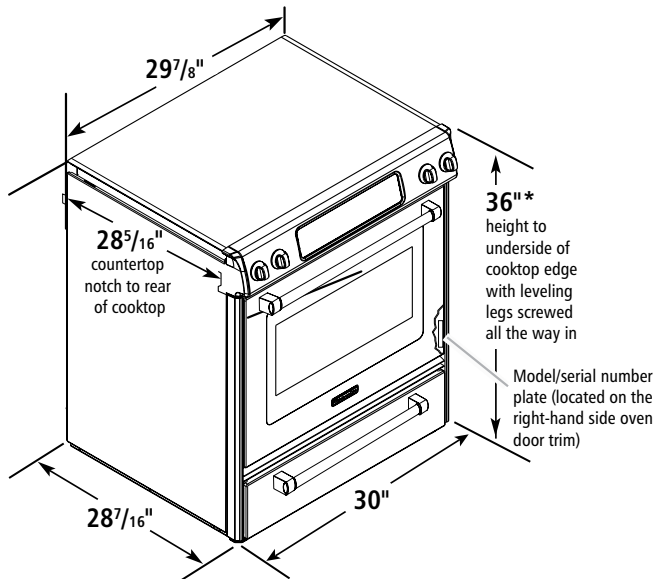


NOTES: 24" minimum when bottom of wood or metal cabinet is protected by not less than 1/4" flame retardant millboard covered with not less than No. 28 MSG sheet steel, 0.015" stainless steel, 0.024" aluminum or 0.020" copper. 30" minimum clearance between the top of the cooking platform and the bottom of an unprotected wood or metal cabinet. If installing a hood or microwave hood combination oven above the range, follow hood or microwave hood combination oven installation instructions for dimensional clearances above the cooking surface.

SLIDE-IN INDUCTION RANGES

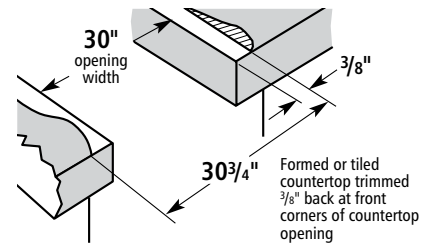
PRODUCT DIMENSIONS

KSIB900E



*Range can be raised approximately 1" by adjusting the leveling legs.

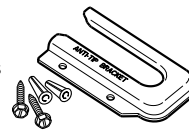
COUNTERTOP PREPARATION



Countertop must be level. Place level on countertop – first side-to-side, then front-to-back. If countertop is not level, range will not be level. Oven must be level for satisfactory baking conditions.

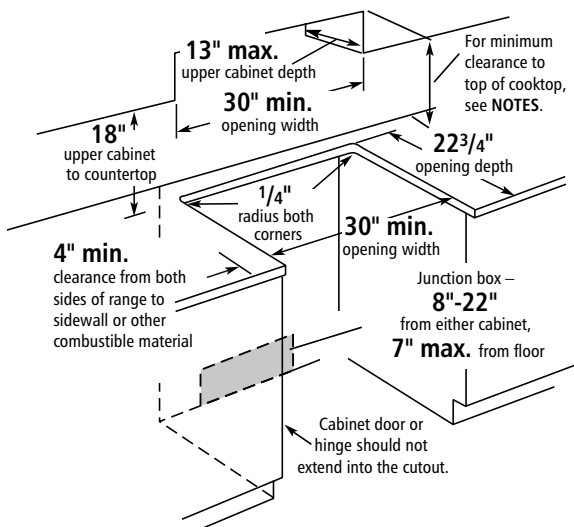
Anti-tip bracket:

Anti-tip bracket must be securely mounted to subfloor. Thickness of flooring may require longer screws to anchor bracket to subfloor. Longer screws are available from your local hardware store.



CUTOUT DIMENSIONS

Cabinet opening dimensions shown are for 25" countertop depth, 24" base cabinet depth, and 36" countertop height.

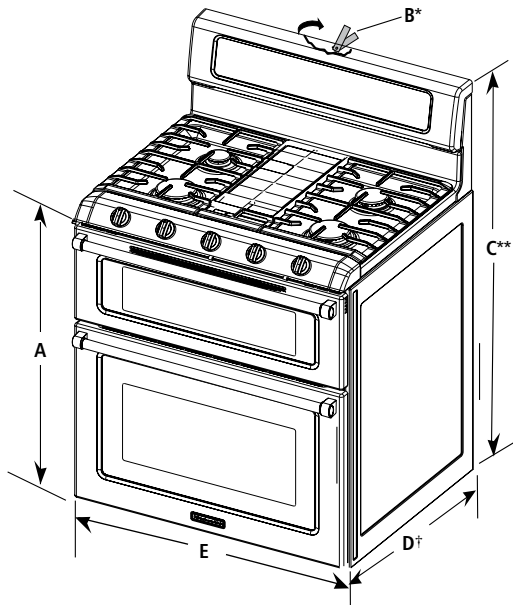


NOTES: 24" minimum when bottom of wood or metal cabinet is protected by not less than 1/4" flame retardant millboard covered with not less than No. 28 MSG sheet steel, 0.015" stainless steel, 0.024" aluminum or 0.020" copper. 30" minimum clearance between the top of the cooking platform and the bottom of an unprotected wood or metal cabinet. If installing a hood or microwave hood combination oven above the range, follow hood or microwave hood combination oven installation instructions for dimensional clearances above the cooking surface.

FREESTANDING DUAL FUEL & GAS DOUBLE OVEN RANGES

PRODUCT DIMENSIONS

KFDD500E, KFGD500E

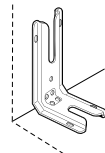


- A. $35\frac{3}{4}'' \pm \frac{1}{8}''$ min. cooktop height with leveling legs screwed all the way in
- B. Model/serial/rating plates (located behind the control panel)*
- C. $47\frac{1}{8}'' \pm \frac{1}{8}''$ min. overall height with leveling legs screwed all the way in**
- D. $26\frac{1}{8}'' \pm \frac{1}{8}''$ †
- E. $29\frac{15}{16}'' \pm \frac{1}{16}''$ width

*Model/serial/rating plates may be rotated up from behind the control panel for viewing from the front of the range.

**Range can be raised approximately 1" by adjusting the leveling legs.

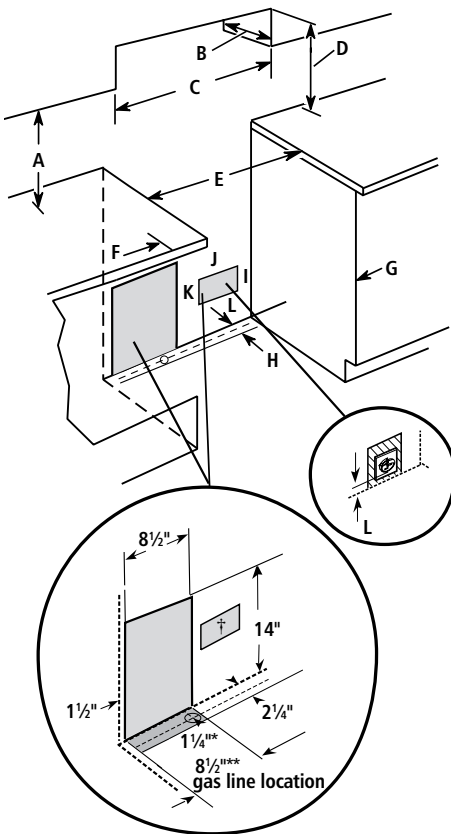
†Excludes handles. Dimension given is from wall to front of oven doors and will vary based on electrical outlet receptacle installation.



Anti-tip bracket:

Anti-tip bracket must be securely mounted to subfloor or wall. Thickness of flooring may require longer screws to anchor bracket to subfloor. Longer screws are available from your local hardware store.

CUTOUT DIMENSIONS



Cabinet opening dimensions shown are for 25" countertop depth, 24" base cabinet depth, and 36" countertop height.

- A. 18" upper cabinet to countertop
- B. 13" upper cabinet depth
- C. 30" min. opening width
- D. For minimum clearance to the top of the cooking surface, see NOTES.
- E. 30" min. opening width
- F. 3" min. clearance from both sides of the range to the side wall or other combustible material
- G. Cabinet door or hinges should not extend into the cutout.
- H. 3" distance from wall
- I. 1 1/2" min. from right side cabinet
- J. 8" width
- K. 7" min. from floor
- L. 2" min. from floor

*Drill on centerline 1 1/4" from rear wall for gas supply line.

**Gas lines must be installed within the shaded area to ensure proper alignment of this range with cabinets.

†Recessed electrical plugs must be installed within the shaded area to ensure proper alignment of this range with cabinets.

NOTES: 24" minimum when bottom of wood or metal cabinet is covered by not less than 1/4" flame retardant millboard covered with not less than No. 28 MSG sheet steel, 0.015" stainless steel, 0.024" aluminum, or 0.020" copper.

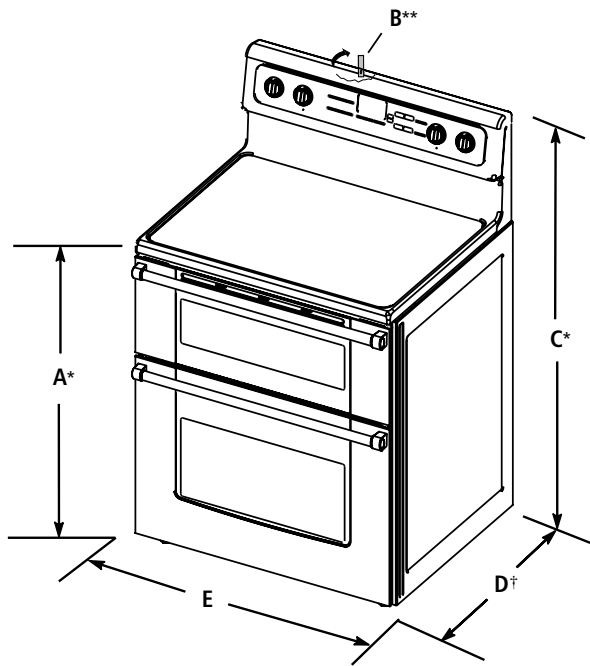
30" minimum clearance between the top of the cooking platform and the bottom of an unprotected wood or metal cabinet.

If installing a hood or microwave hood combination oven above the range, follow hood or microwave hood combination oven installation instructions for dimensional clearances above the cooking surface.

FREESTANDING ELECTRIC DOUBLE OVEN RANGE

PRODUCT DIMENSIONS

KFED500E

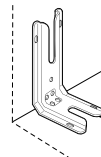


- A. $35\frac{3}{4}'' \pm \frac{1}{8}''$ min. cooktop height with leveling legs screwed all the way in*
- B. Model/serial/rating plates (located behind the control panel)**
- C. $47\frac{1}{8}'' \pm \frac{1}{8}''$ min. overall height with leveling legs screwed all the way in*
- D. $26\frac{1}{8}'' \pm \frac{1}{8}''$ †
- E. $29\frac{15}{16}'' \pm \frac{1}{16}''$ width

*Range can be raised approximately 1" by adjusting the leveling legs.

**Model/serial/rating plates may be rotated up from behind the control panel for viewing from the front of the range.

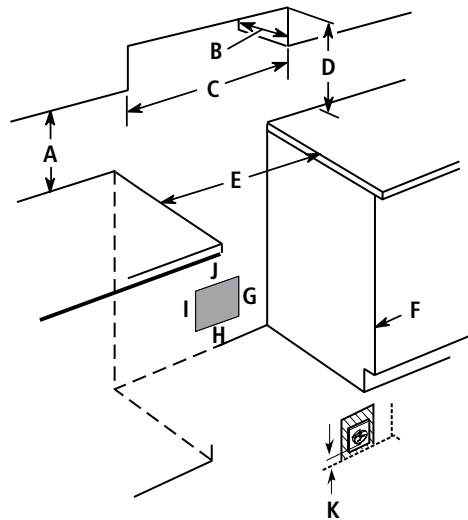
†Excludes handles. Dimension given is from wall to front of oven doors and will vary based on electric outlet receptacle installation.



Anti-tip bracket:

Anti-tip bracket must be securely mounted to subfloor or wall. Thickness of flooring may require longer screws to anchor bracket to subfloor. Longer screws are available from your local hardware store.

CUTOUT DIMENSIONS



Cabinet opening dimensions shown are for 25" countertop depth, 24" base cabinet depth, and 36" countertop height.

- A. 18" upper cabinet to countertop
- B. 13" upper cabinet depth
- C. 30" min. opening width
- D. For minimum clearance to the top of the cooking surface, see NOTES.
- E. 30" min. opening width
- F. Cabinet door or hinge should not extend into cutout*
- G. $1\frac{1}{2}''$ min. from right side cabinet
- H. 2" min. from floor
- I. 7" min. from floor
- J. 8" width
- K. $3\frac{1}{2}''$ min. from floor

Proper positioning of outlet shown.

*Nothing located in shaded areas can extend more than $1\frac{1}{2}''$ from wall, or range will not slide all the way back.

NOTES: 24" minimum when bottom of wood or metal cabinet is covered by not less than $\frac{1}{4}''$ flame retardant millboard covered with not less than No. 28 MSG sheet steel, 0.015" stainless steel, 0.024" aluminum, or 0.020" copper.

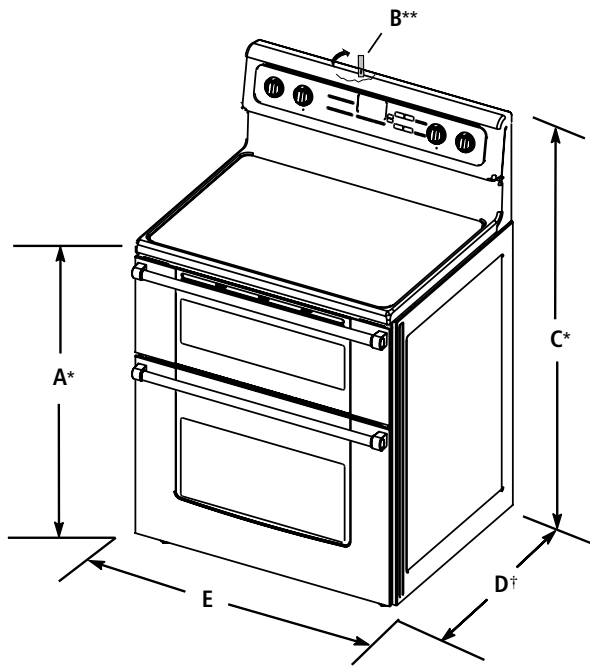
30" minimum clearance between the top of the cooking platform and the bottom of an unprotected wood or metal cabinet.

If installing a hood or microwave hood combination oven above the range, follow hood or microwave hood combination oven installation instructions for dimensional clearances above the cooking surface.

FREESTANDING INDUCTION DOUBLE OVEN RANGE

PRODUCT DIMENSIONS

KFID500E

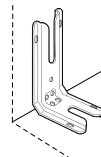


- A. $35\frac{3}{4}'' \pm \frac{1}{8}''$ min. cooktop height with leveling legs screwed all the way in*
- B. Model/serial/rating plates (located behind the control panel)**
- C. $47\frac{1}{8}'' \pm \frac{1}{8}''$ min. overall height with leveling legs screwed all the way in*
- D. $26\frac{1}{8}'' \pm \frac{1}{8}''$ †
- E. $29\frac{15}{16}'' \pm \frac{1}{16}''$ width

*Range can be raised approximately 1" by adjusting the leveling legs.

**Model/serial/rating plates may be rotated up from behind the control panel for viewing from the front of the range.

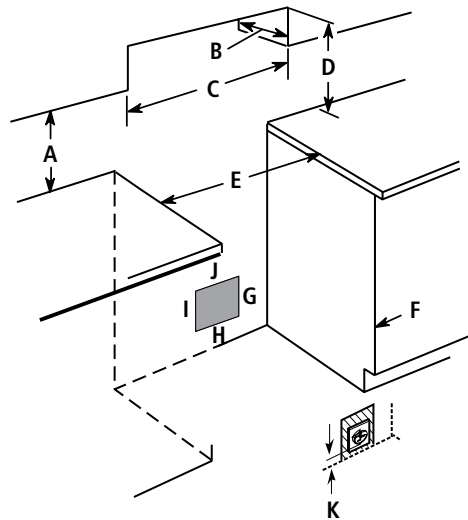
†Excludes handles. Dimension given is from wall to front of oven doors and will vary based on electric outlet receptacle installation.



Anti-tip bracket:

Anti-tip bracket must be securely mounted to subfloor or wall. Thickness of flooring may require longer screws to anchor bracket to subfloor. Longer screws are available from your local hardware store.

CUTOUT DIMENSIONS



Cabinet opening dimensions shown are for 25" countertop depth, 24" base cabinet depth, and 36" countertop height.

- A. 18" upper cabinet to countertop
- B. 13" upper cabinet depth
- C. 30" min. opening width
- D. For minimum clearance to the top of the cooking surface, see NOTES.
- E. 30" min. opening width
- F. Cabinet door or hinge should not extend into cutout*
- G. $1\frac{1}{2}''$ min. from right side cabinet
- H. 2" min. from floor
- I. 7" min. from floor
- J. 8" width
- K. $3\frac{1}{2}''$ min. from floor

Proper positioning of outlet shown.

*Nothing located in shaded areas can extend more than $1\frac{1}{2}''$ from wall, or range will not slide all the way back.

NOTES: 24" minimum when bottom of wood or metal cabinet is covered by not less than $\frac{1}{4}''$ flame retardant millboard covered with not less than No. 28 MSG sheet steel, 0.015" stainless steel, 0.024" aluminum, or 0.020" copper.

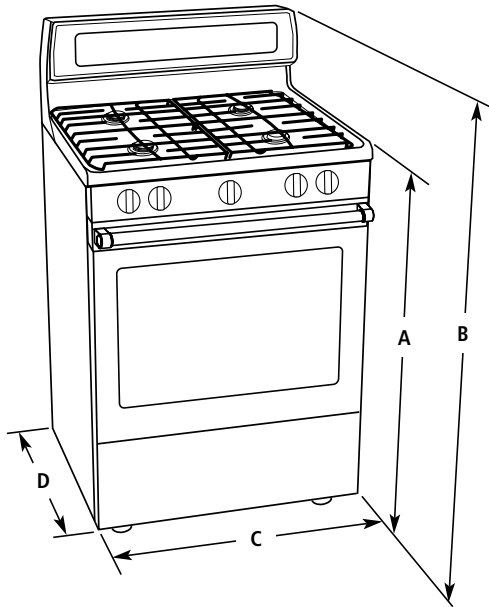
30" minimum clearance between the top of the cooking platform and the bottom of an unprotected wood or metal cabinet.

If installing a hood or microwave hood combination oven above the range, follow hood or microwave hood combination oven installation instructions for dimensional clearances above the cooking surface.

FREESTANDING GAS RANGES

PRODUCT DIMENSIONS

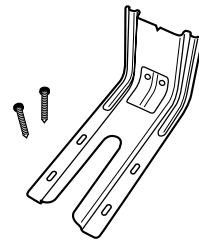
KFGS530E, KFGG500E



- A. 36" max. cooktop height with leveling legs screwed all the way in*
- B. 46⁷/₈" max. overall height with leveling legs screwed all the way in*
- C. 29⁷/₈" width
- D. 25⁷/₁₆" depth (back of range to front of cooktop)**

*Range can be raised approximately 1" by adjusting the leveling legs.

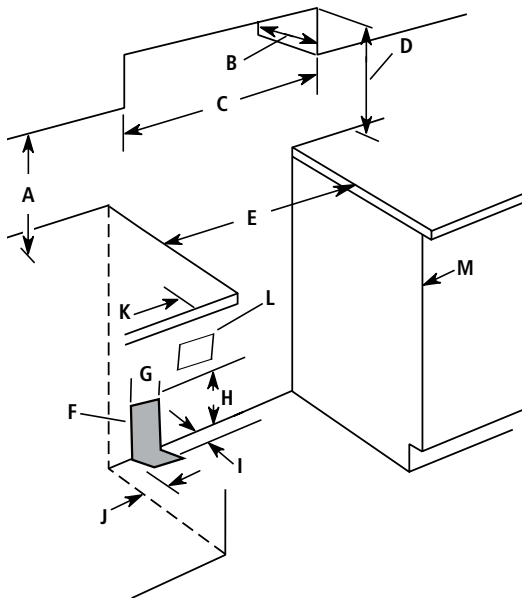
**Front of door and drawer may extend farther forward, depending on styling.



Anti-tip bracket:

Anti-tip bracket must be securely mounted to subfloor or wall. Thickness of flooring may require longer screws to anchor bracket to subfloor.

CUTOUT DIMENSIONS



Cabinet opening dimensions shown are for 25" countertop depth, 24" base cabinet depth, and 36" countertop height.

- A. 18" upper side cabinet to countertop
- B. 13" max. upper cabinet depth
- C. 30" min. opening width
- D. For minimum clearance to top of cooking surface, see NOTES.
- E. 30¹/₈" min. opening width
- F. The shaded area is recommended for installation of rigid gas pipe.
- G. 11"
- H. 17"
- I. 2"
- J. 4¹/₂"
- K. 2" min. clearance from both sides of range to side wall or other combustible material.
- L. Grounded outlet
- M. Cabinet door or hinges should not extend into the cutout.

NOTES: 24" minimum when bottom of wood or metal cabinet is covered by not less than 1/4" flame retardant millboard covered with not less than No. 28 MSG sheet steel, 0.015" stainless steel, 0.024" aluminum, or 0.020" copper.

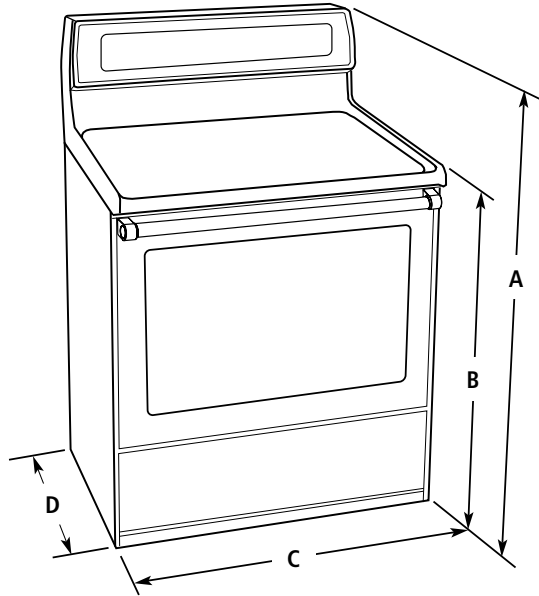
30" minimum clearance between the top of the cooking platform and the bottom of an unprotected wood or metal cabinet.

If installing a hood or microwave hood combination oven above the range, follow hood or microwave hood combination oven installation instructions for dimensional clearances above the cooking surface.

FREESTANDING ELECTRIC RANGES (CONTINUED)

PRODUCT DIMENSIONS

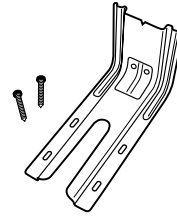
KFES530E, KFEG500E



- A. 47¹/₈" max. overall height with leveling legs screwed all the way in*
- B. 36" max. cooktop height with leveling legs screwed all the way in*
- C. 29⁷/₈" width
- D. 25⁵/₁₆" depth (back of range to front of cooktop)**

*Range can be raised approximately 1" by adjusting the leveling legs.

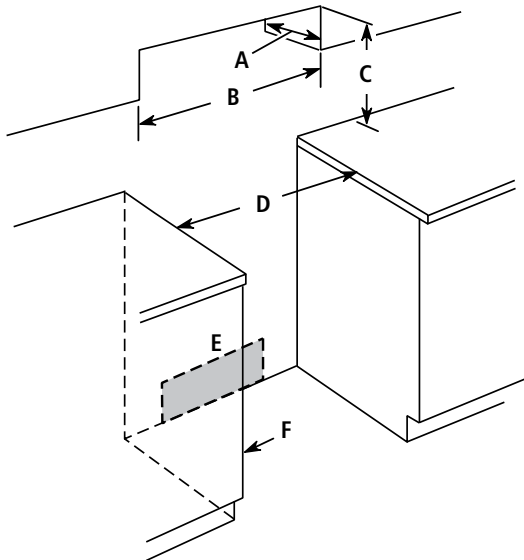
**Front of door and drawer may extend farther forward, depending on styling.



Anti-tip bracket:

Anti-tip bracket must be securely mounted to subfloor or wall. Thickness of flooring may require longer screws to anchor bracket to subfloor.

CUTOUT DIMENSIONS



Cabinet opening dimensions shown are for 25" countertop depth, 24" base cabinet depth, and 36" countertop height.

- A. 13" max. upper cabinet depth
- B. 30" min. opening width
- C. For minimum clearance to top of cooking surface, see **NOTES**.
- D. 30¹/₈" min. opening width
- E. Outlet – 8" to 22" from either cabinet, 5¹/₂" max. from floor
- F. Cabinet door or hinges should not extend into the cutout.

NOTES: 24" minimum when bottom of wood or metal cabinet is covered by not less than 1/4" flame retardant millboard covered with not less than No. 28 MSG sheet steel, 0.015" stainless steel, 0.024" aluminum, or 0.020" copper.

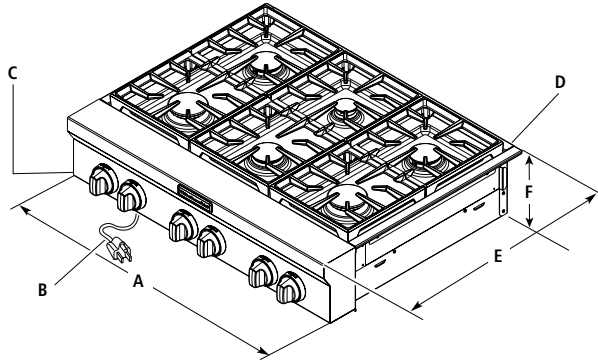
30" minimum clearance between the top of the cooking platform and the bottom of an unprotected wood or metal cabinet.

If installing a hood or microwave hood combination oven above the range, follow hood or microwave hood combination oven installation instructions for dimensional clearances above the cooking surface.

COMMERCIAL-STYLE RANGETOPS

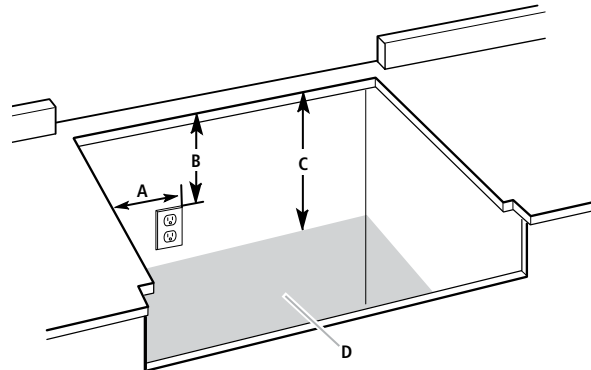
PRODUCT DIMENSIONS

KGCU484V, KGCU483V, KGCU482V, KGCU463V,
KGCU462V, KGCU467V, KGCU407V



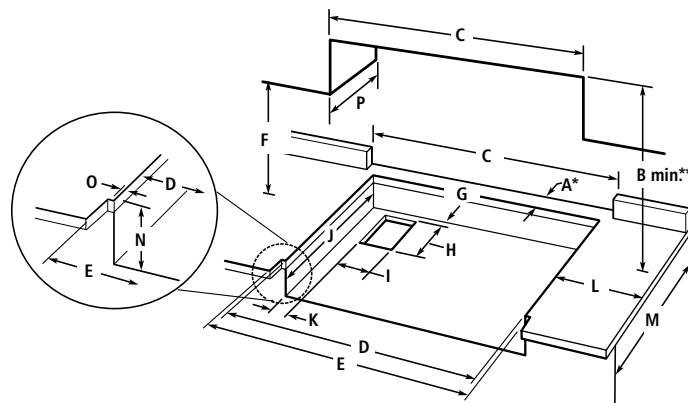
- A. 48-Inch Models: $47\frac{7}{8}$ "
36-Inch Models: $35\frac{5}{8}$ "
30-Inch Models: $29\frac{7}{8}$ "
- B. 36" long 3-prong grounding-type power supply cord
- C. Model/serial rating plate
(located on the underside of the rangetop burner box)
- D. Island trim or optional backguard
- E. $27\frac{3}{4}$ "
- F. $7\frac{1}{16}$ "

GAS AND ELECTRIC CONNECTION LINES



- A. Grounded 3-prong outlet should be located on left-hand side of cutout 16" max. from enclosure sidewall
 - B. 10" min. clearance from countertop to top of the outlet
 - C. 14" countertop to the gas supply line
 - D. Gas supply line should be located in this area on rear or side walls, or the supply line can come up through the floor
- NOTE:** Solid side and bottom of cutout enclosure not shown.

CUTOUT DIMENSIONS



- A. Rangetop cutout to back wall
KGCU484V, KGCU482V,
KGCU462V, KGCU407V: $1\frac{1}{2}$ "
KGCU483V, KGCU463V,
KGCU467V: $1\frac{3}{4}$ "
- B. Rangetop to cabinet
48-Inch Models: 42" min.
36-Inch Models: 42" min.
30-Inch Models: 30" min.
- C. Optional backguard opening
48-Inch Models: 48"
36-Inch Models: 36"
30-Inch Models: 30"
- D. Cabinet and countertop
48-Inch Models: $47\frac{1}{4}$ "
36-Inch Models: $35\frac{1}{4}$ "
30-Inch Models: $29\frac{1}{4}$ "
- E. Countertop only
48-Inch Models: 48" ($47\frac{7}{8}$ "†)
36-Inch Models: 36" ($35\frac{7}{8}$ "†)
30-Inch Models: 30" ($29\frac{7}{8}$ "†)
- F. 18" min. clearance upper cabinet
to countertop
- G. $\frac{3}{4}$ " back of cabinet cutout to
gas opening cutout
- H. $6\frac{7}{8}$ " gas opening cutout depth
- I. $12\frac{1}{2}$ " gas opening cutout width
- J. $22\frac{1}{4}$ " cabinet cutout depth
- K. 2" cabinet side to gas cutout
- L. 6" min. distance on both sides
of the rangetop to the side wall
or other combustible material
above cooking surface
- M. 24" cabinet depth
- N. $7\frac{1}{4}$ " cabinet depth to countertop
- O. Notch to be equal on both sides
- P. 13" upper cabinet depth

*If back wall is constructed of a combustible material and a backguard is not installed, a minimum clearance of dimension A + 6" is required for 48" rangetops and model KGCU462V.

**Dimension "B" can be reduced by 6" when bottom of wood or metal cabinet is protected by not less than 0.25" flame retardant millboard covered with not less than No. 28 MSG sheet metal, 0.015" stainless steel, 0.024" aluminum, or 0.020" copper.

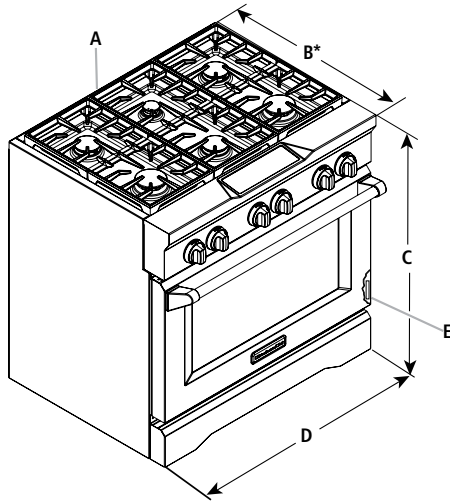
†Zero clearance fit.

Dimensions are for planning purposes only. For complete details, see Installation Instructions packed with product. Specifications subject to change without notice.

COMMERCIAL-STYLE RANGES

PRODUCT DIMENSIONS

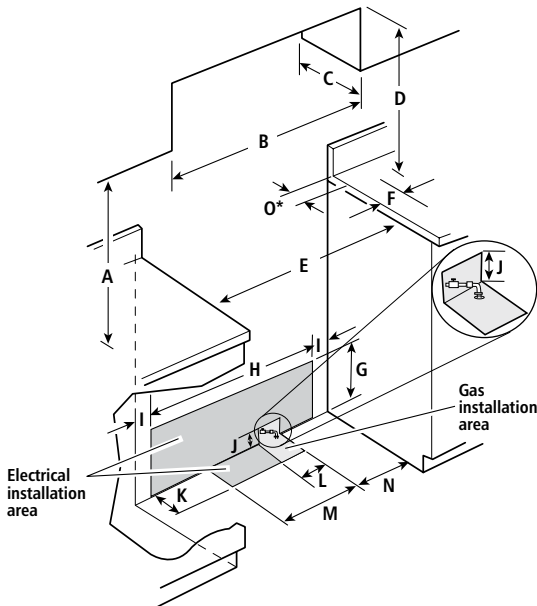
KDRU783V, KDRU763V, KDRU767V,
KDRS483V, KDRS463V, KDRS467V, KDRS407V



- A. Optional backguard may be installed
- B. 27³/₄" depth with control panel*
- C. 35³/₄" cooktop height when setting on the wheels
- D. Width
48-Inch Models: 47³/₄"
36-Inch Models: 35³/₄"
30-Inch Models: 29³/₄"
- E. Model/serial rating plate location

*When installed in a 24" base cabinet with 25" countertop, front of oven door protrudes 1⁷/₈" beyond 24" base cabinet.

CUTOUT DIMENSIONS



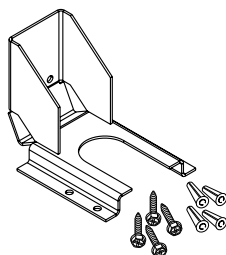
- A. 18" upper cabinet to countertop
- B. Min. upper cabinet width
48-Inch Models: 48"
36-Inch Models: 36"
30-Inch Models: 30"
- C. 13" max. upper cabinet depth
- D. Min. clearance between top of cooking platform and bottom of uncovered wood or metal cabinet
48-Inch Models: 42"
36-Inch Models: 42"
30-Inch Models: 30"
- E. 48-Inch Models: 48"
36-Inch Models: 36"
30-Inch Models: 30"
- F. 6" min. clearance from both sides of range to side wall or other combustible material
- G. 15"
- H. 48-Inch Models: 40"
36-Inch Models: 28"
30-Inch Models: 22"
- I. 1¹/₂"
- J. 3"
- K. 5"
- L. 48-Inch Models: 24"
36-Inch Models: 14"
30-Inch Models: 6"
- M. 10¹/₂"
- N. 6"
- O. 3"*

*if back wall is constructed of a combustible material and a backguard is not installed, a 6" minimum clearance is required for all ranges.

Important Installation Information Regarding the Steam Function

The steam function on select ranges is configured for direct plumbing to a nearby water supply. Included with the product are the water filter housing, one water filter, a small section of copper tubing at the back of the range, and a water supply union to attach the copper tubing to the water supply line. Water supply lines are not included. The water filtration system should be installed upright and adjacent to the range near the cold water supply pipe under the kitchen sink.

See Installation Instructions for complete details.



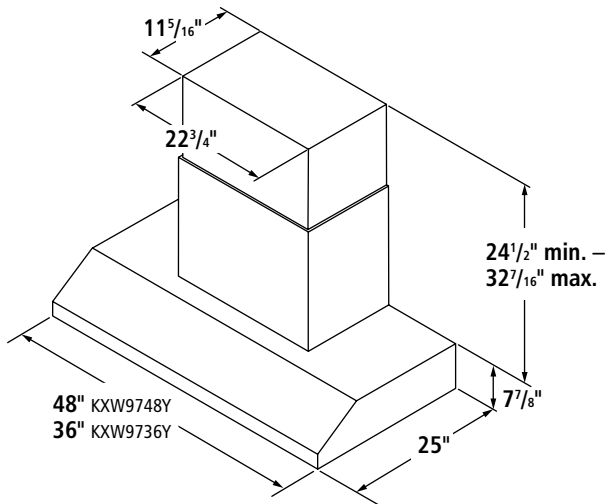
Anti-tip bracket:

Anti-tip bracket must be securely mounted to subfloor or wall. Thickness of flooring may require longer screws to anchor bracket to subfloor. Longer screws are available from your local hardware store.

COMMERCIAL-STYLE WALL-MOUNT CANOPY HOODS

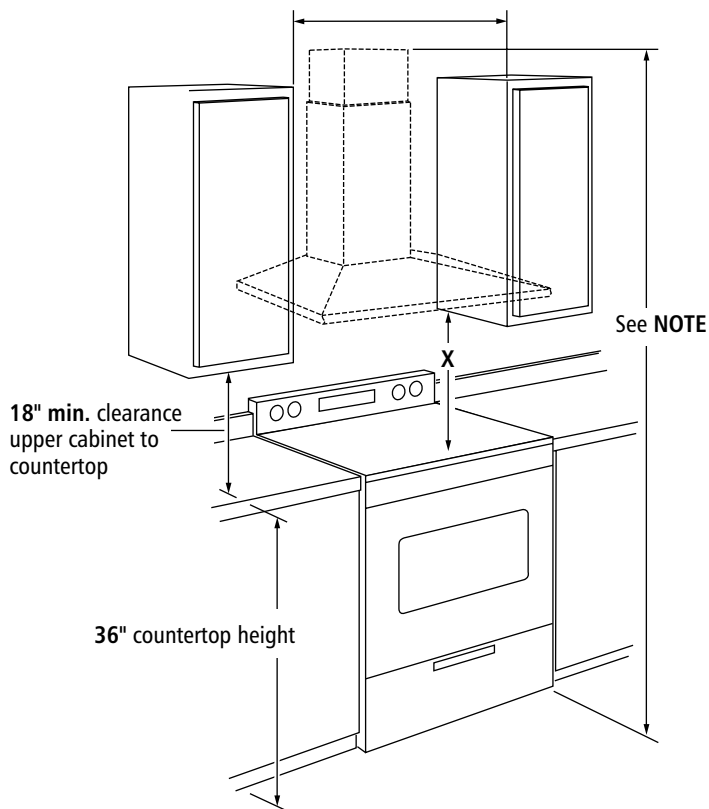
PRODUCT DIMENSIONS

KXW9748Y, KXW9736Y



CUTOUT DIMENSIONS

48" or 36" cabinet opening width
(if installed between cabinets)



IMPORTANT:

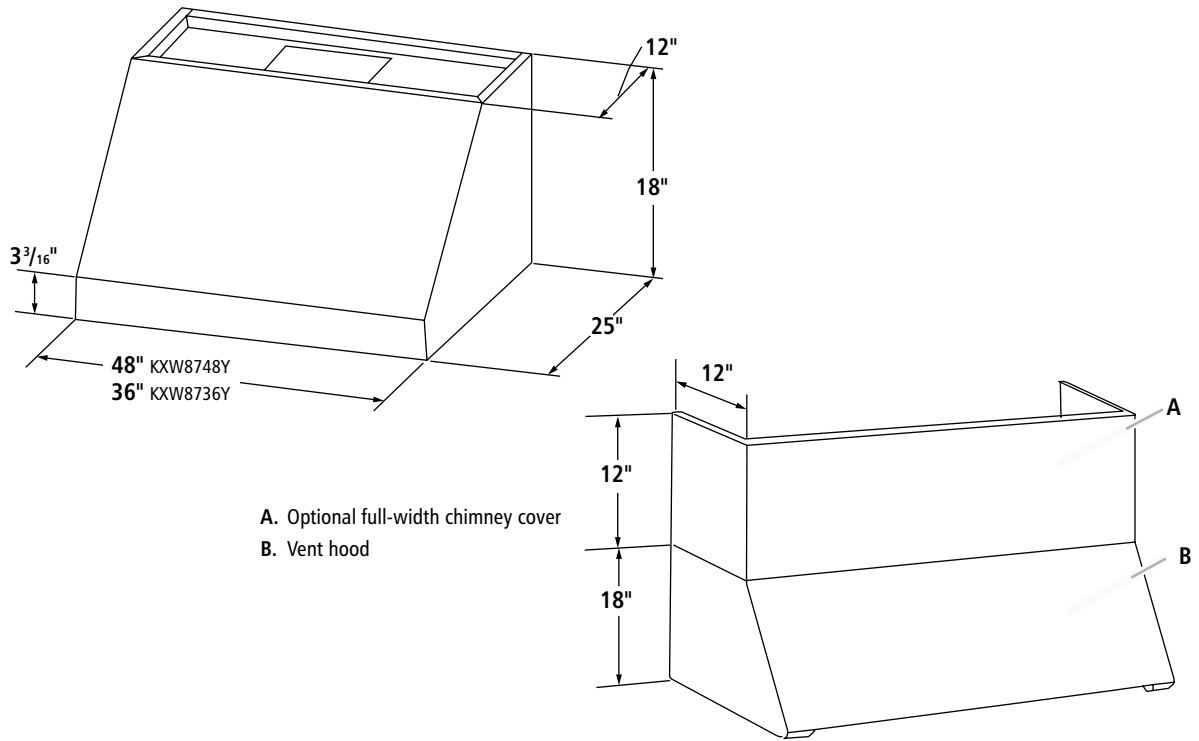
Minimum distance "X": 24" from electric cooking surface
Minimum distance "X": 30" from gas cooking surface
Suggested maximum distance "X": 36"
For vented installation, the chimney can be adjusted for ceilings between 8' 2³/₈" and 8' 10¹⁵/₁₆" for gas and between 7' 8³/₈" and 8' 4³/₁₆" for electric

NOTE: The hood chimney is adjustable and designed to meet varying ceiling or soffit heights, depending on the distance "X" between the bottom of the hood and the cooking surface. For higher ceilings, a chimney extension kit (Part No. W10352733) is available from your dealer or an authorized parts distributor. The chimney extension replaces the upper chimney shipped with the hood.

COMMERCIAL-STYLE WALL-MOUNT CANOPY HOODS (CONTINUED)

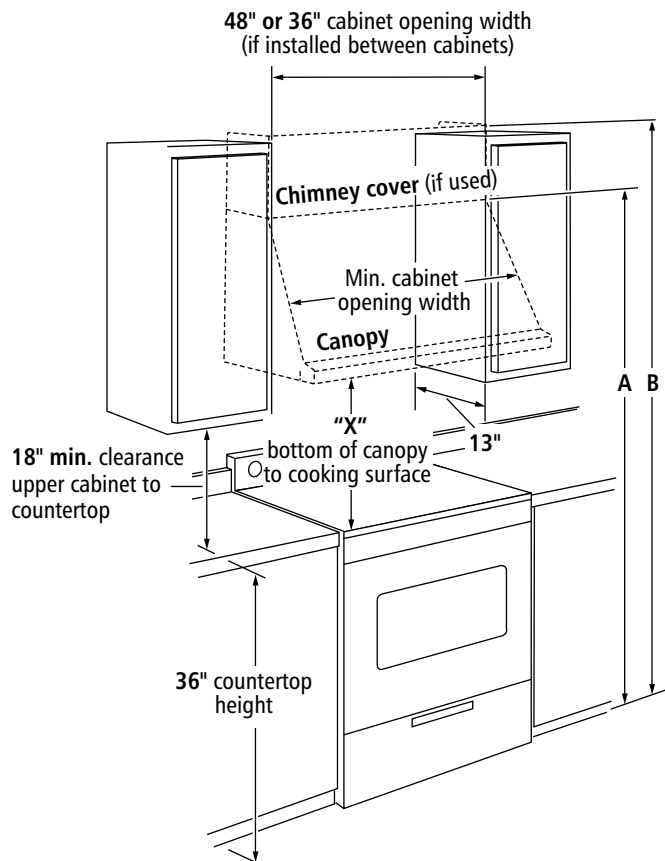
PRODUCT DIMENSIONS

KXW8748Y, KXW8736Y



A. Optional full-width chimney cover
B. Vent hood

CUTOUT DIMENSIONS



- A. For installation with canopy only:
78" minimum above electric cooking surface
84" minimum above gas cooking surface
- B. For installation with optional chimney cover:
90" minimum above electric cooking surface
96" minimum above gas cooking surface

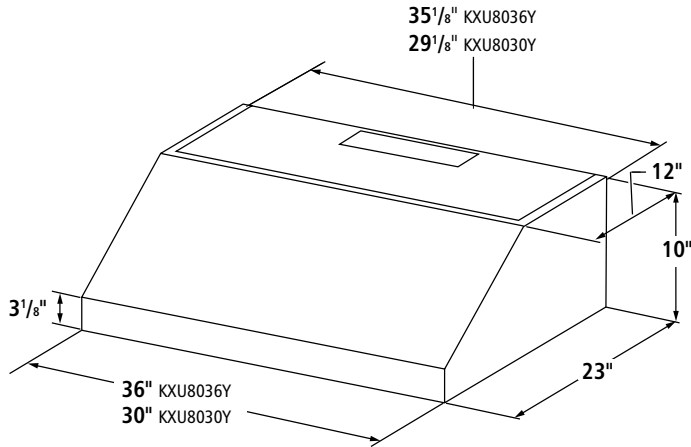
IMPORTANT:
Minimum distance "X": 24" from electric cooking surface
Minimum distance "X": 30" from gas cooking surface
Suggested maximum distance "X": 36"

Dimensions are for planning purposes only. For complete details, see Installation Instructions packed with product. Specifications subject to change without notice.

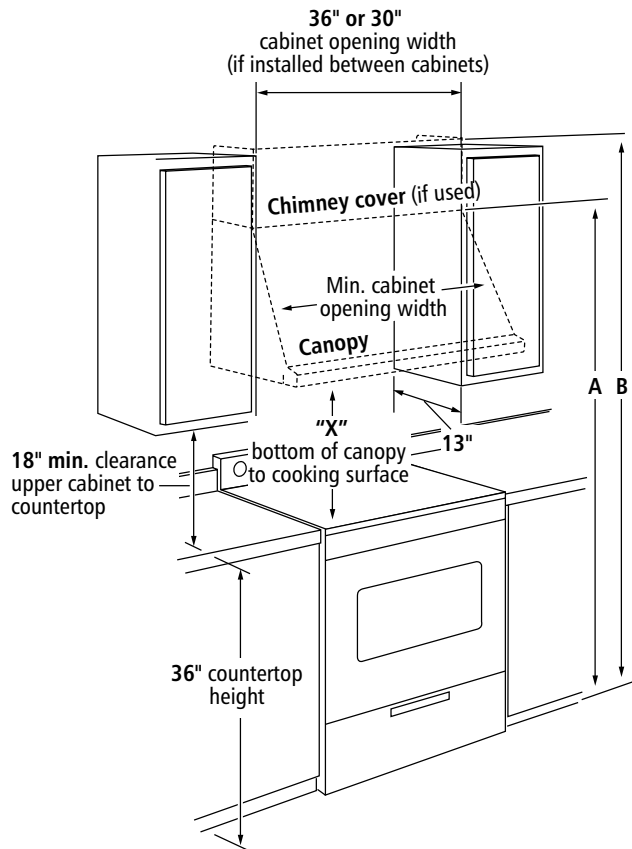
COMMERCIAL-STYLE UNDER-CABINET SYSTEMS

PRODUCT DIMENSIONS

KXU8036Y, KXU8030Y



CUTOUT DIMENSIONS



- A. For installation with canopy only:
70" minimum above electric cooking surface
76" minimum above gas cooking surface
- B. For installation with optional chimney cover:
82" minimum above electric cooking surface
88" minimum above gas cooking surface

IMPORTANT:
Minimum distance "X": 24" from electric cooking surface
Minimum distance "X": 30" from gas cooking surface
Suggested maximum distance "X": 36"

BUILT-IN FRENCH DOOR AND BOTTOM-FREEZER REFRIGERATORS

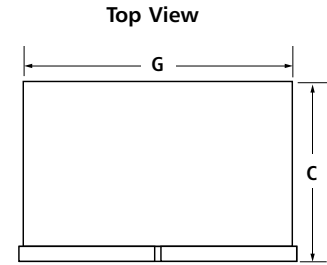
DIMENSIONS – shown in inches

MODEL NO.	42-INCH KBFN402E KBFN502E	36-INCH KBFN406E KBFN506E	36-INCH KBBR206E, KBBR306E, KBBL206E, KBBL306E
PRODUCT DIMENSIONS			
Front Width (A)	42 ¹ / ₄	36 ¹ / ₄	36 ¹ / ₄
Front Height (B)*	83 ³ / ₈	83 ³ / ₈	83 ³ / ₈
Depth (including door) (C)**	25 ¹ / ₈	25 ¹ / ₈	25 ¹ / ₈
Depth (excluding door) (D)	23 ³ / ₈	23 ¹¹ / ₁₆	23 ¹¹ / ₁₆
Height (E)*	3 ¹ / ₂	3 ¹ / ₂	3 ¹ / ₂
Length (power cord) (F)	84	84	84
Back Width (G)	41 ¹ / ₄	35 ¹ / ₄	35 ¹ / ₄
Depth (door open 90°)	44 ¹ / ₄	41 ¹ / ₄	59
CUTOUT DIMENSIONS			
Width (H)†	41 ¹ / ₂	35 ¹ / ₂	35 ¹ / ₂
Height (min./max.) (I)	83 ¹ / ₂	83 ¹ / ₂	83 ¹ / ₂
Depth (min.) (J)	24	24	24

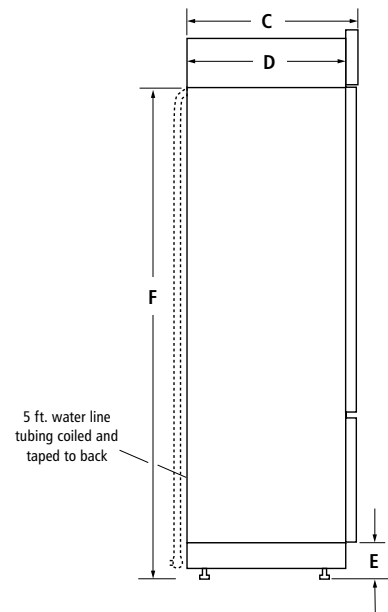
*Leg levelers extended ¹/₈" below rollers; add ¹/₈" for levelers fully extended ¹/₄" below rollers.

**Dimension is to front of top grille and does not include custom panel.

†To allow sufficient airflow to the compressor, side trim must be on the outside of adjoining cabinets and not recessed into the cutout.

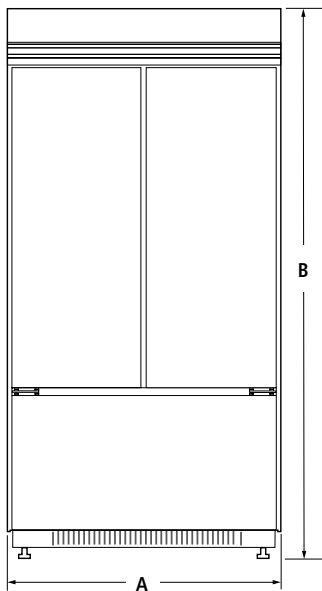


Side View

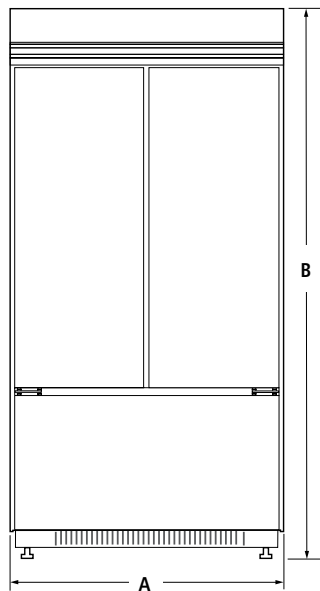


PRODUCT DIMENSIONS

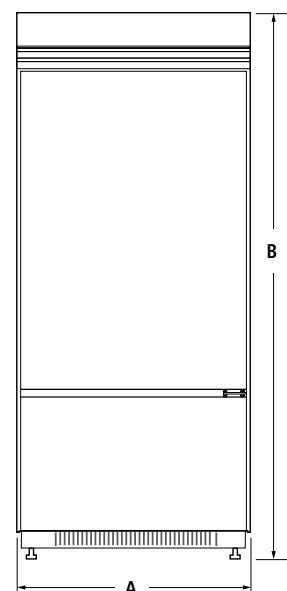
Front View
KBFN402E,
KBFN502E



Front View
KBFN406E,
KBFN506E



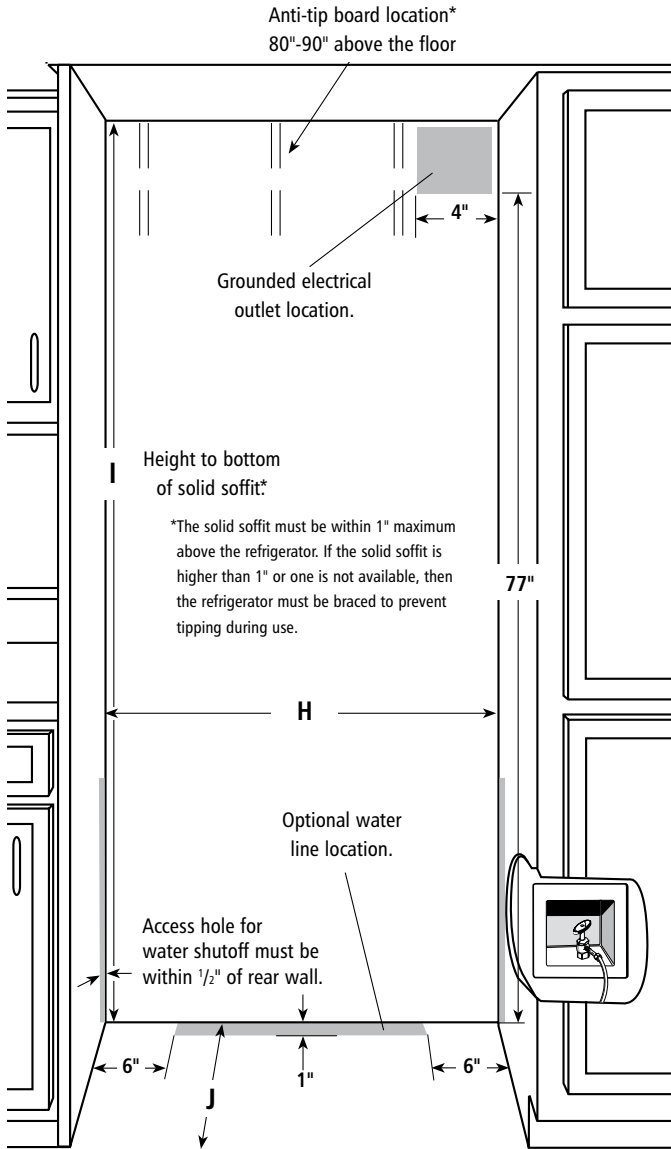
Front View
KBBR206E, KBBR306E,
KBBL206E, KBBL306E



Dimensions are for planning purposes only. For complete details, see Installation Instructions packed with product. Specifications subject to change without notice.

BUILT-IN FRENCH DOOR AND BOTTOM-FREEZER REFRIGERATORS (CONTINUED)

CUTOUT DIMENSIONS



*The solid soffit must be within 1" maximum above the refrigerator. If the solid soffit is higher than 1" or one is not available, then the refrigerator must be braced to prevent tipping during use.

The location must permit both doors to open to a minimum of 90°. Allow 4½" minimum space between the side of the refrigerator and a corner wall, including baseboard area.

More clearance may be required if you are using overlay panels or custom handles.

Electrical: A 115 Volt, 60 Hz., AC only 15- or 20-amp fused, grounded electrical supply on a separate circuit. A GFCI (Ground Fault Circuit Interrupter) outlet is not recommended.

Water Supply: A cold water supply with water pressure between 30 and 120 psi (207-827 kPa).

Water shutoff may be located in the base cabinet on either side of refrigerator for easy access.

If installed behind refrigerator, water shutoff valve must be angled so that tubing is not damaged.

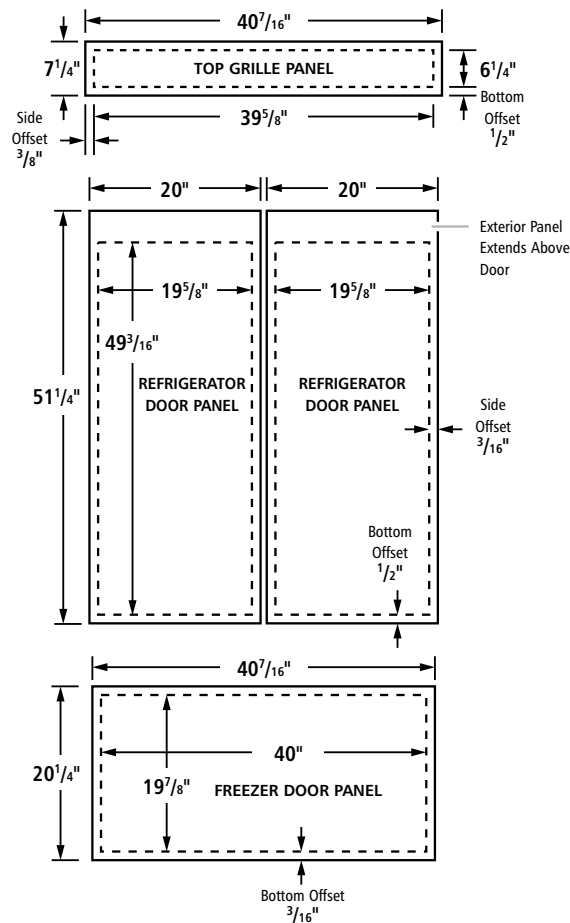
Face of cabinetry must be plumb.

Floor: Must support refrigerator (more than 600 pounds) and must be at the same level as flooring in the room.

BUILT-IN FRENCH DOOR REFRIGERATOR

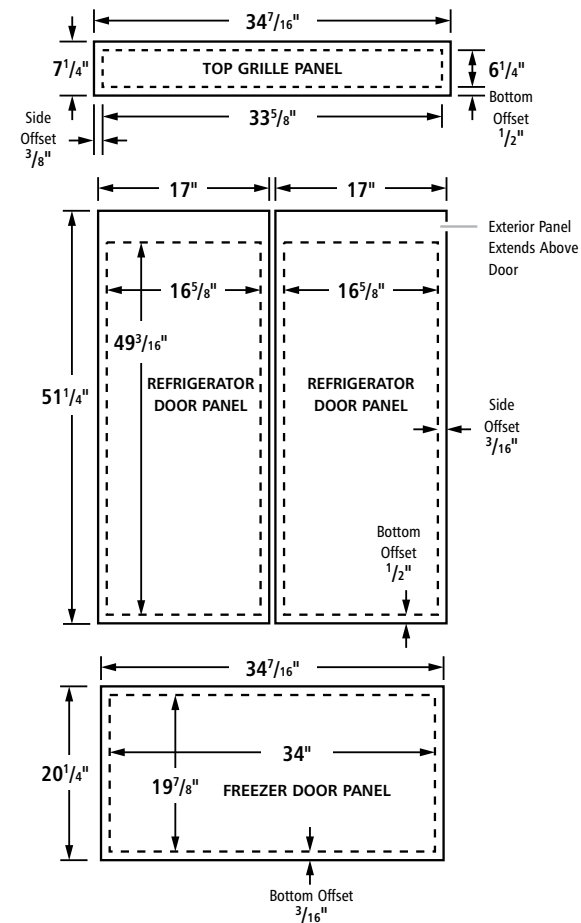
CUSTOM FRENCH DOOR PANEL DIMENSIONS*

KBFN402E, KBFN502E



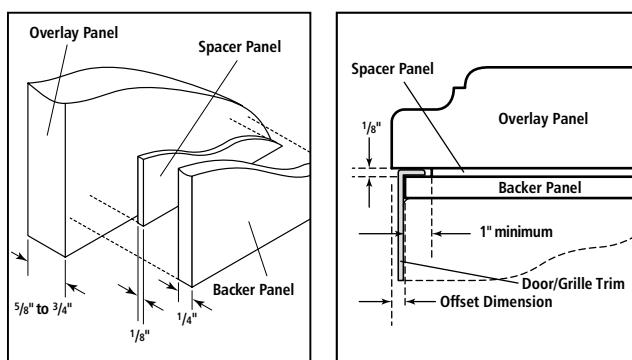
CUSTOM FRENCH DOOR PANEL DIMENSIONS*

KBFN406E, KBFN506E



*Solid line indicates outer panel dimensions, dotted line indicates backer panel dimensions.

3-PIECE OVERLAY PANEL CONFIGURATION



CUSTOM FRENCH DOOR PANEL WEIGHTS – shown in pounds

CUSTOM PANEL	MAXIMUM WEIGHT
OVERLAY PANEL-READY MODELS*	
Refrigerator Door Panel (each panel)	30
Freezer Door Panel	25
Top Grille Panel	10

*Maximum weights include overlay, backer, and spacer panels. To minimize panel weight, you may use 2" spacer strips around the perimeter in place of full-sheet solid spacer panels. The spacer strips must be set in at least 1" from the top, bottom, and sides of the backer panel. If you use spacer strips, we recommend you use two 2" strips horizontally centered for added support.

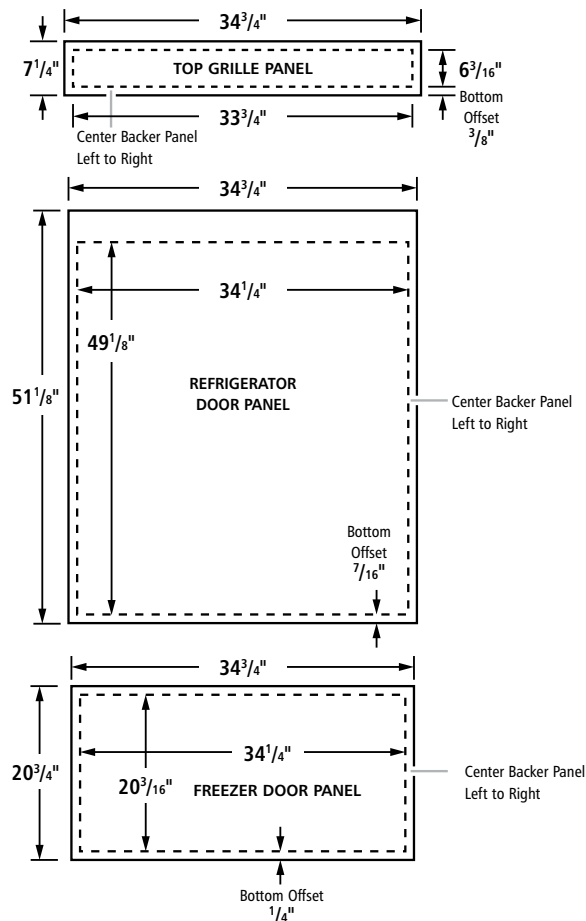
1-PIECE OVERLAY PANEL CONFIGURATION

In some cases, your cabinet manufacturer may choose to work with one panel routed for the different dimensions. Follow these panel dimensions and placement instructions to be sure that the custom overlay panels will fit properly.

BUILT-IN BOTTOM-FREEZER REFRIGERATOR

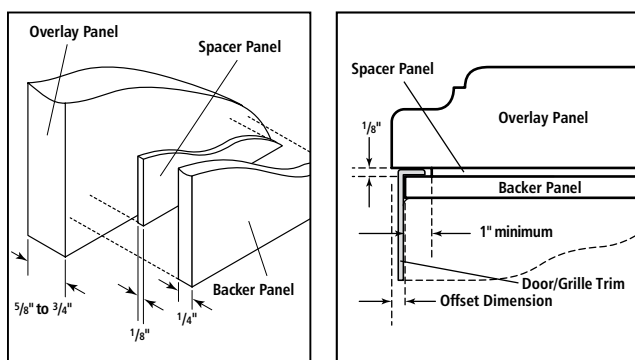
CUSTOM BOTTOM-FREEZER PANEL DIMENSIONS*

KBBR206E, KBBR306E, KBBL206E, KBBL306E



*Solid line indicates outer panel dimensions, dotted line indicates backer panel dimensions.

3-PIECE OVERLAY PANEL CONFIGURATION



1-PIECE OVERLAY PANEL CONFIGURATION

In some cases, your cabinet manufacturer may choose to work with one panel routed for the different dimensions. Follow these panel dimensions and placement instructions to be sure that the custom overlay panels will fit properly.

CUSTOM BOTTOM-FREEZER PANEL WEIGHTS – shown in pounds

CUSTOM PANEL	MAXIMUM WEIGHT
OVERLAY PANEL-READY MODELS*	
Refrigerator Door Panel	50
Freezer Door Panel	20
Top Grille Panel	10

*Maximum weights include overlay, backer, and spacer panels. To minimize panel weight, you may use 2" spacer strips around the perimeter in place of full-sheet solid spacer panels. The spacer strips must be set in at least 1" from the top, bottom, and sides of the backer panel. If you use spacer strips, we recommend you use two 2" strips horizontally centered for added support.

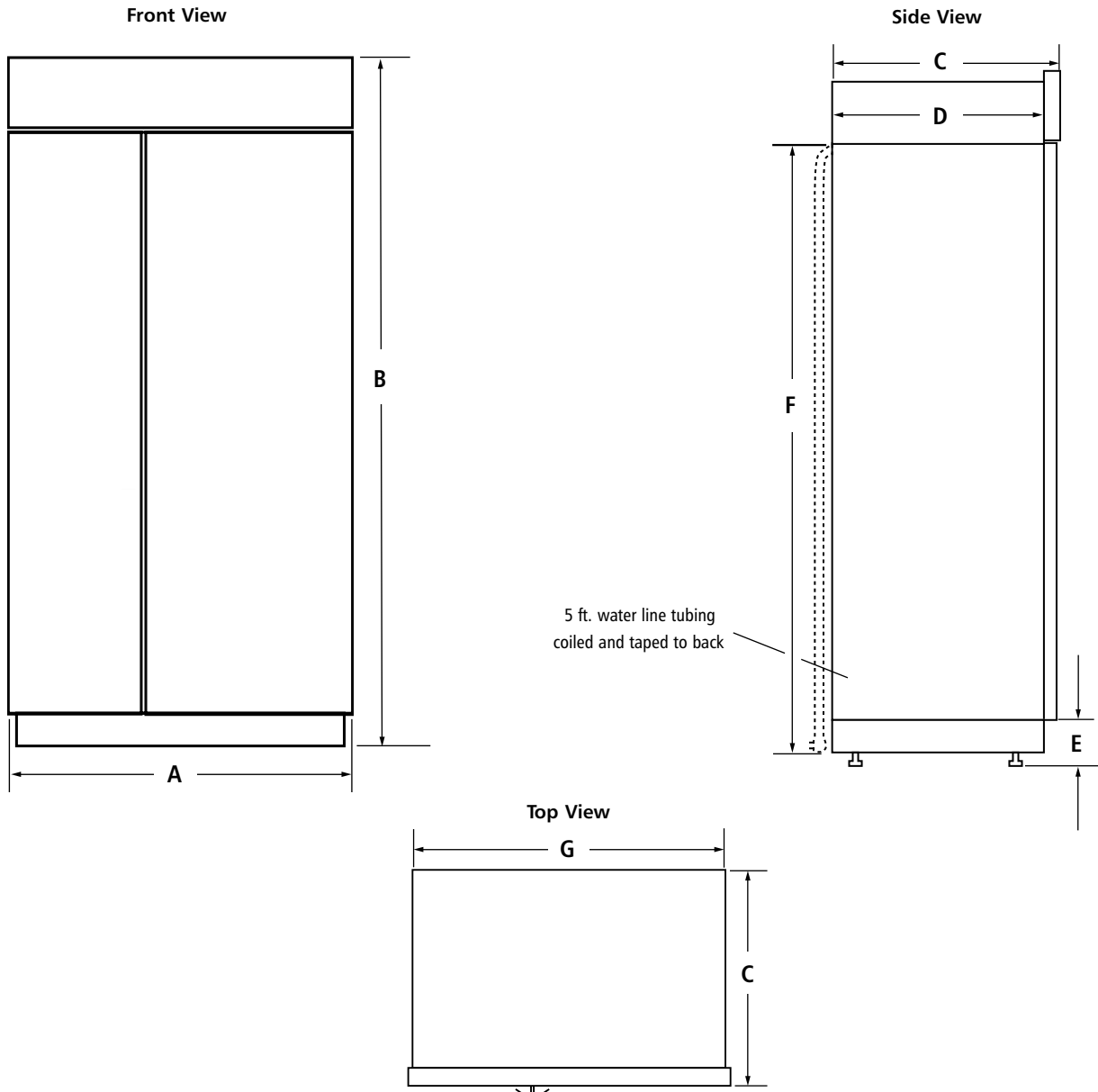
BUILT-IN SIDE-BY-SIDE REFRIGERATORS

PRODUCT DIMENSIONS – shown in inches

MODEL	48-INCH KBSD608E KBSN608E	42-INCH KBSD602E KBSN602E	36-INCH KBSD606E
Front Width (A)	48 ¹¹ / ₃₂	42 ¹¹ / ₃₂	36 ¹¹ / ₄₃₂
Front Height (B)*	83 ³ / ₈	83 ³ / ₈	83 ³ / ₈
Depth (including door) (C)**	25 ³ / ₈	25 ³ / ₈	25 ³ / ₈
Depth (excluding door) (D)	23 ¹ / ₂	23 ¹ / ₂	23 ¹ / ₂
Height (E)*	3 ¹ / ₂	3 ¹ / ₂	3 ¹ / ₂
Length (power cord) (F)	83 ³ / ₈	83 ³ / ₈	83 ³ / ₈
Back Width (G)	47	41	35
Depth (door open 90°)	51 ³ / ₈	48 ⁷ / ₈	44 ³ / ₈

*Leg levelers extended ¹/₈" below rollers; add ¹/₈" for levelers fully extended ¹/₄" below rollers.

**Dimension is to front of top grille and does not include custom panel.



Dimensions are for planning purposes only. For complete details, see Installation Instructions packed with product. Specifications subject to change without notice.

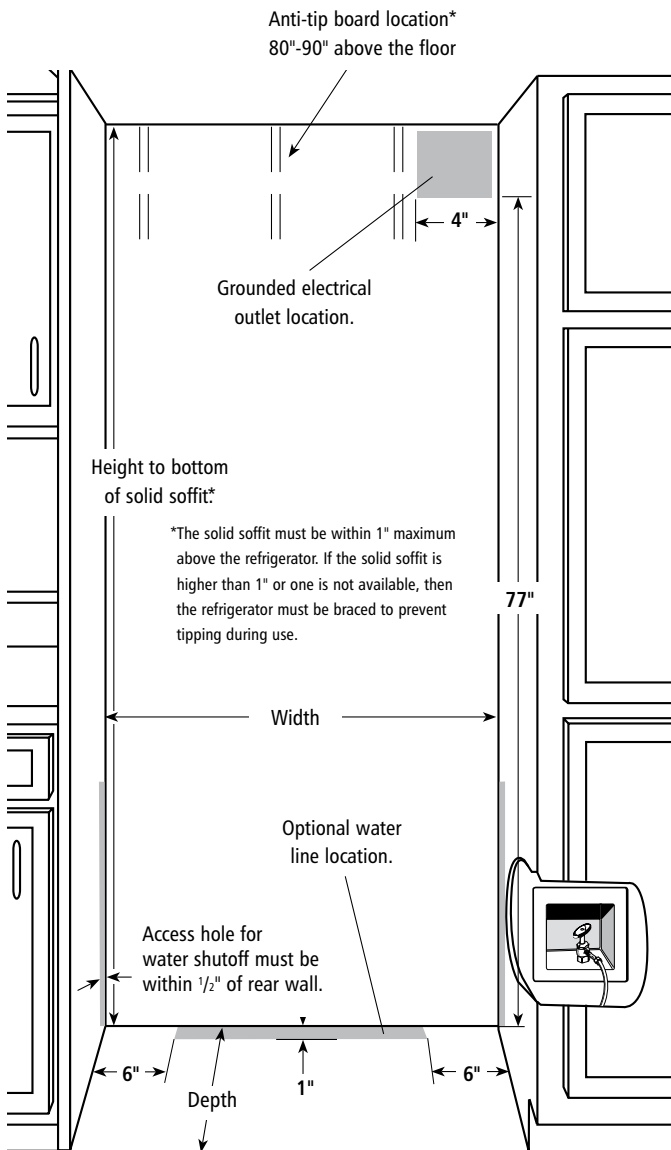
BUILT-IN SIDE-BY-SIDE REFRIGERATORS

(CONTINUED)

CUTOUT DIMENSIONS – shown in inches

MODEL	48-INCH KBSD608E KBSN608E	42-INCH KBSD602E KBSN602E	36-INCH KBSD606E
Width* (min./max.)	47 ¹ / ₂ /47 ³ / ₄	41 ¹ / ₂ /41 ³ / ₄	35 ¹ / ₂ /35 ³ / ₄
Height (min./max.)	83 ¹ / ₂ /84 ³ / ₄	83 ¹ / ₂ /84 ³ / ₄	83 ¹ / ₂ /84 ³ / ₄
Depth (min.)	24	24	24

*To allow sufficient airflow to the compressor, side trim must be on the outside of adjoining cabinets and not recessed into the cutout.



The location must permit both doors to open to a minimum of 90°. Allow 4¹/₂" minimum space between the side of the refrigerator and a corner wall, including baseboard area.

More clearance may be required if you are using overlay panels or custom handles.

Electrical: A 115 Volt, 60 Hz., AC only 15- or 20-amp fused, grounded electrical supply on a separate circuit. A GFCI (Ground Fault Circuit Interrupter) outlet is not recommended.

Water Supply: A cold water supply with water pressure between 30 and 120 psi (207-827 kPa).

Water shutoff may be located in the base cabinet on either side of refrigerator for easy access.

If installed behind refrigerator, water shutoff valve must be angled so that tubing is not damaged.

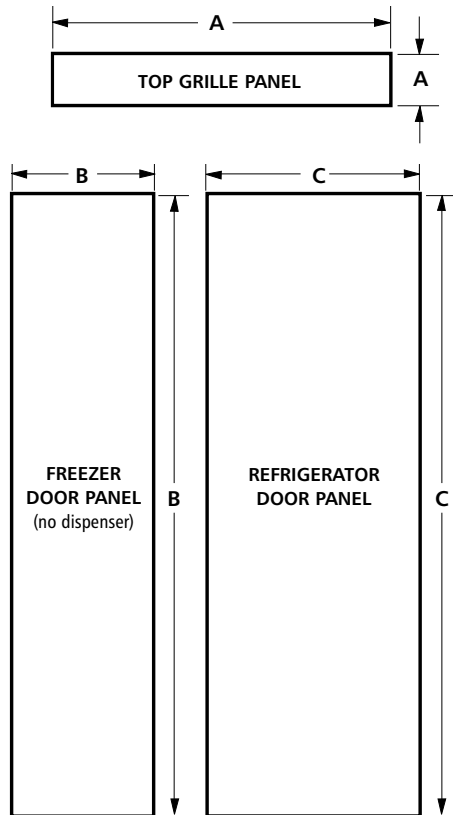
Face of cabinetry must be plumb.

Floor: Must support refrigerator (more than 600 pounds) and must be at the same level as flooring in the room.

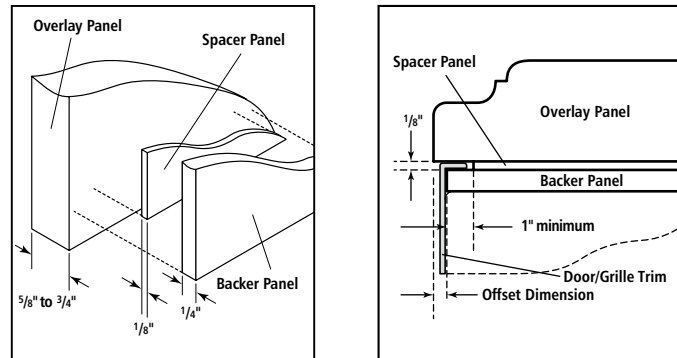
BUILT-IN SIDE-BY-SIDE NON-DISPENSING REFRIGERATORS

CUSTOM SIDE-BY-SIDE PANEL DIMENSIONS – shown in inches

MODEL NO.	TOP GRILLE PANEL (A)	FREEZER DOOR PANEL (B)	REFRIGERATOR DOOR PANEL (C)
OVERLAY PANEL-READY MODELS			
KBSN608E	7 ¹ / ₄ h x 46 ³ / ₄ w	72 ¹ / ₄ h x 19 ³ / ₄ w	72 ¹ / ₄ h x 26 ³ / ₄ w
KBSN602E	7 ¹ / ₄ h x 40 ³ / ₄ w	72 ¹ / ₄ h x 17 ¹ / ₄ w	72 ¹ / ₄ h x 23 ¹ / ₄ w



3-PIECE OVERLAY PANEL CONFIGURATION



1-PIECE OVERLAY PANEL CONFIGURATION

In some cases, your cabinet manufacturer may choose to work with one panel routed for the different dimensions. Follow these panel dimensions and placement instructions to be sure that the custom overlay panels will fit properly.

CUSTOM SIDE-BY-SIDE PANEL WEIGHTS – shown in pounds

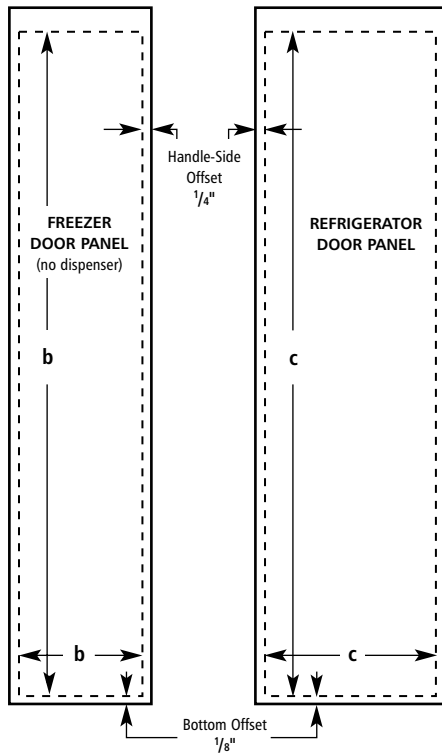
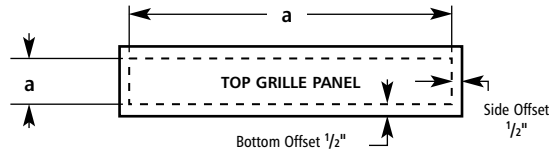
CUSTOM PANEL	MAXIMUM WEIGHT
OVERLAY PANEL-READY MODELS*	
Refrigerator Door Panel	50
Freezer Door Panel	40
Top Grille Panel	10

*Maximum weights include overlay, backer, and spacer panels. To minimize panel weight, you may use 2" spacer strips around the perimeter in place of full-sheet solid spacer panels. The spacer strips must be set in at least 1" from the top, bottom, and sides of the backer panel. If you use spacer strips, we recommend you use two 2" strips horizontally centered for added support.

BUILT-IN SIDE-BY-SIDE NON-DISPENSING REFRIGERATORS (CONTINUED)

CUSTOM SIDE-BY-SIDE BACKER PANEL DIMENSIONS – shown in inches

MODEL NO.	TOP GRILLE PANEL (a)	FREEZER DOOR PANEL (b)	REFRIGERATOR DOOR PANEL (c)
OVERLAY PANEL-READY MODELS			
KBSN608E	6 ³ / ₁₆ h x 45 ³ / ₄ w	70 ¹ / ₂ h x 19 ¹ / ₄ w	70 ¹ / ₂ h x 26 ¹ / ₄ w
KBSN602E	6 ³ / ₁₆ h x 39 ³ / ₄ w	70 ¹ / ₂ h x 16 ³ / ₄ w	70 ¹ / ₂ h x 22 ³ / ₄ w

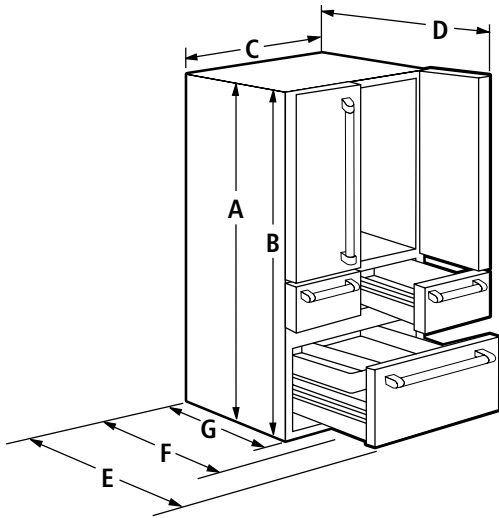


FREESTANDING FULL-DEPTH 5-DOOR REFRIGERATORS

PRODUCT DIMENSIONS – shown in inches

MODEL NO.	CABINET HEIGHT (A)	HEIGHT* (B)	WIDTH (C)	DEPTH WITH HANDLES (F)	DEPTH WITHOUT DOORS & HANDLES (G)
KRMF706E	69 ³ / ₄	70 ¹ / ₈	35 ⁵ / ₈	36 ¹ / ₄	33 ⁹ / ₁₆
KRMF606E	69 ³ / ₄	70 ¹ / ₈	35 ⁵ / ₈	36 ¹ / ₄	33 ⁹ / ₁₆

*Height is to top of hinge cover.

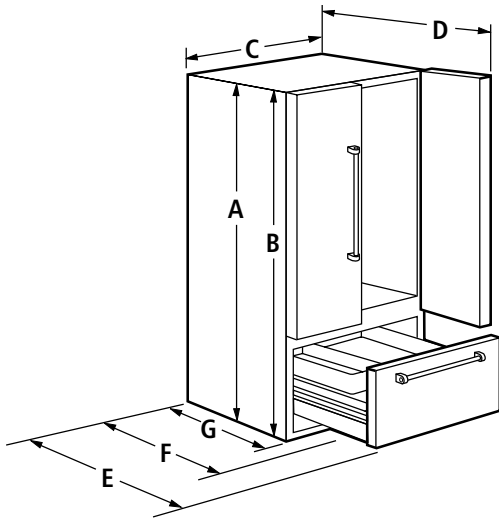


FREESTANDING STANDARD-DEPTH FRENCH DOOR REFRIGERATORS

PRODUCT DIMENSIONS – shown in inches

MODEL NO.	CABINET HEIGHT (A)	HEIGHT* (B)	WIDTH (C)	DEPTH DOOR OPEN 90° (D)	DEPTH DRAWER OPEN WITH HANDLE (E)	DEPTH WITH HANDLES (F)	DEPTH WITHOUT DOORS & HANDLES (G)
KRFF707E	68 ⁵ / ₈	69 ⁷ / ₈	35 ⁵ / ₈	48	47 ⁵ / ₈	35 ⁵ / ₈	28 ⁷ / ₈
KRFF507E	68 ⁵ / ₈	69 ⁷ / ₈	35 ⁵ / ₈	48	47 ⁵ / ₈	35 ⁵ / ₈	28 ⁷ / ₈

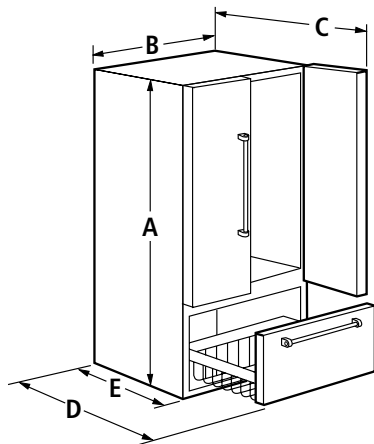
*Height is to top of hinge cover.



PRODUCT DIMENSIONS – shown in inches

MODEL NO.	HEIGHT* (A)	WIDTH (B)	DEPTH DOOR OPEN 90° (C)	DEPTH DRAWER OPEN (D)	DEPTH WITHOUT DOORS & HANDLES (E)
KRFF305E	70 ¹ / ₈	35 ⁵ / ₈	48 ¹ / ₈	53 ¹ / ₈	29 ¹ / ₈
KRFF302E	70 ¹ / ₈	32 ⁵ / ₈	47 ¹ / ₈	52 ¹ / ₈	28 ¹ / ₈
KRFF300E	68 ¹ / ₂	29 ¹ / ₂	43 ⁵ / ₈	52 ¹ / ₈	28 ¹ / ₂

*Height is to top of hinge cover.

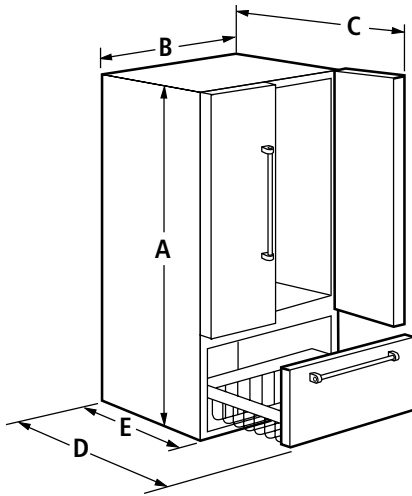


FREESTANDING COUNTER-DEPTH FRENCH DOOR REFRIGERATORS

PRODUCT DIMENSIONS – shown in inches

MODEL NO.	HEIGHT* (A)	WIDTH (B)	DEPTH DOOR OPEN 90° (C)	DEPTH DRAWER OPEN (D)	DEPTH WITHOUT DOOR & HANDLES (E)
KRFC302E	71 ¹⁵ / ₁₆	35 ⁵ / ₈	44 ¹ / ₈	45 ¹ / ₄	24 ⁵ / ₈
KRFC302E	71 ¹⁵ / ₁₆	35 ⁵ / ₈	44 ¹ / ₈	43 ³ / ₈	24 ⁵ / ₈
KRFC400E	70 ¹ / ₁₆	35 ⁵ / ₈	43	48 ¹ / ₈	24 ¹ / ₈
KRFC300E	69 ¹⁵ / ₁₆	35 ⁵ / ₈	43	45 ³ / ₈	24 ¹ / ₈

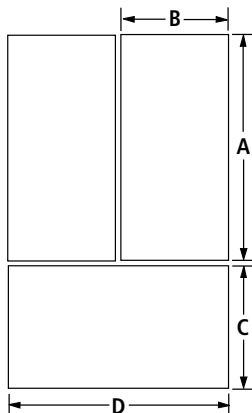
*Height is to top of hinge cover.



CUSTOM PANEL DIMENSIONS – shown in inches

MODEL NO.	REFRIGERATOR DOORS			FREEZER DRAWER		
	HEIGHT (A)	WIDTH (B)	THICKNESS	HEIGHT (C)	WIDTH (D)	THICKNESS
KRFC302E						
Custom Panel	44 ¹ / ₈	17 ³ / ₄	³ / ₄ max.	24	35 ³ / ₄	³ / ₄ max.
Spacer Panel	43 ³ / ₁₆	16 ³ / ₄	¹ / ₁₆	23	34 ³ / ₄	¹ / ₁₆
Backer Panel*	43 ¹³ / ₁₆	17 ³ / ₈	¹ / ₄	23 ⁹ / ₁₆	35 ⁵ / ₁₆	¹ / ₄

*For ease of installation, cut backer panel corners at 45° – 1" x 1"



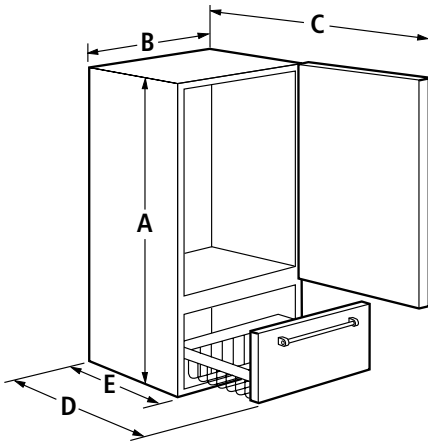
Dimensions are for planning purposes only. For complete details, see Installation Instructions packed with product. Specifications subject to change without notice.

FREESTANDING STANDARD-DEPTH BOTTOM-FREEZER REFRIGERATORS

PRODUCT DIMENSIONS – shown in inches

MODEL NO.	HEIGHT* (A)	WIDTH (B)	DEPTH DOOR OPEN 90° (C)	DEPTH DRAWER OPEN (D)	DEPTH WITHOUT DOOR & HANDLES (E)
KRBR102E KRBL102E KRBX102E	70	32 ⁵ / ₈	62	50 ³ / ₄	28 ¹ / ₈
KRBR109E KRBL109E KRBX109E	67	29 ³ / ₄	59	50 ³ / ₄	30 ⁷ / ₈

*Height is to top of hinge cover.



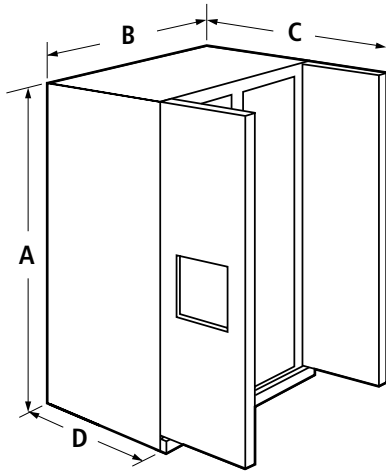
FREESTANDING SIDE-BY-SIDE REFRIGERATORS

PRODUCT DIMENSIONS – shown in inches

MODEL NO.	OVERALL HEIGHT* (A**)	WIDTH (B)	DEPTH DOOR OPEN 90° (C)	DEPTH WITHOUT DOORS, HANDLES & BASE GRILLE (D)
COUNTER-DEPTH				
KRSC503E	71 ¹ / ₄	35 ³ / ₄	45 ⁷ / ₈	23 ⁷ / ₈
KRSC500E	69	35 ¹ / ₂	45 ⁷ / ₈	23 ⁷ / ₈
STANDARD-DEPTH				
KRSF505E	69	35 ³ / ₄	51 ¹ / ₂	29

*Height is to top of hinge cover.

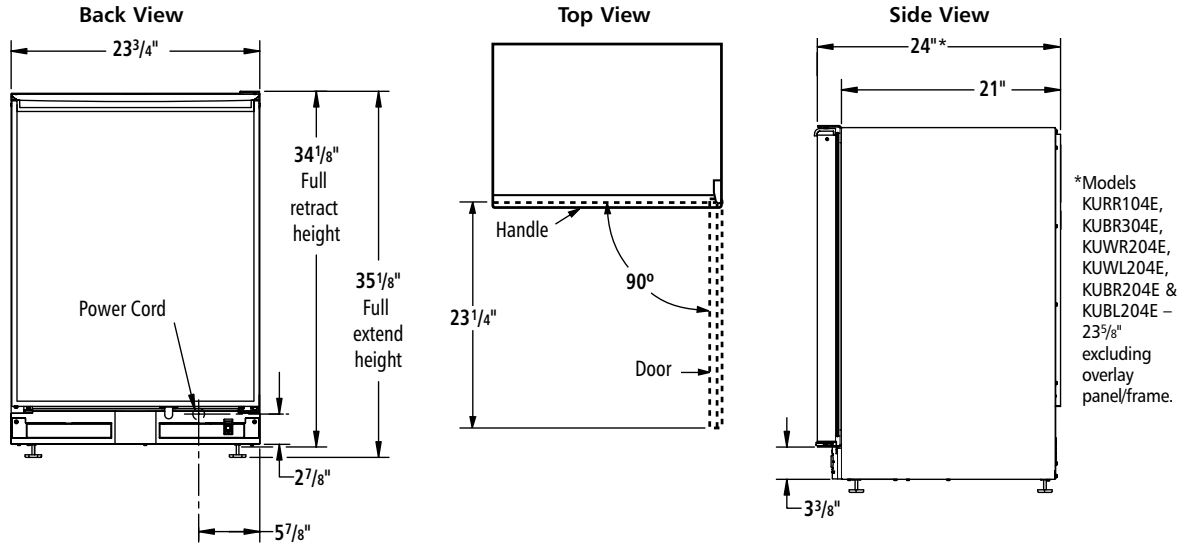
**When leveling legs are fully extended to 1¹/₄" below the refrigerator, add 1¹/₈" to the overall height dimension.



WINE CELLARS, BEVERAGE CENTERS & UNDERCOUNTER REFRIGERATORS

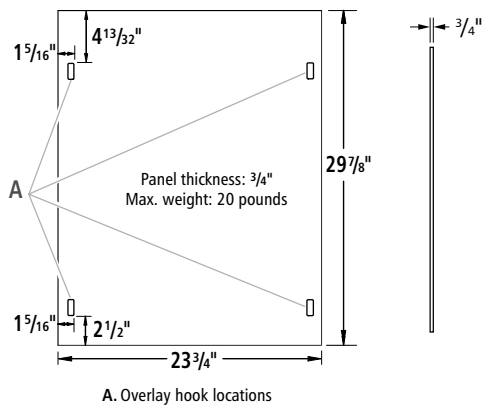
PRODUCT DIMENSIONS

KURR204E, KURL204E, KURR304E, KURL104E, KURR104E, KURL104E, KUWR304E, KUWL304E, KUBR304E, KUBL304E, KUBR204E, KUBL204E



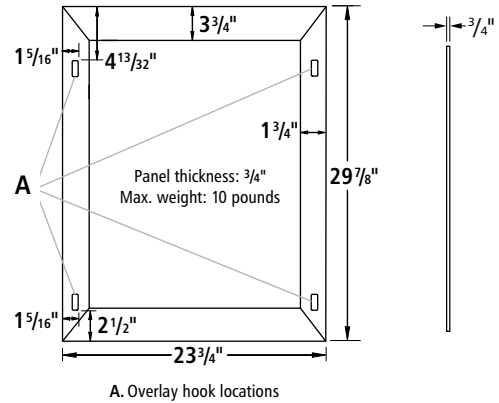
CUSTOM PANEL DIMENSIONS

KURR104E, KURL104E

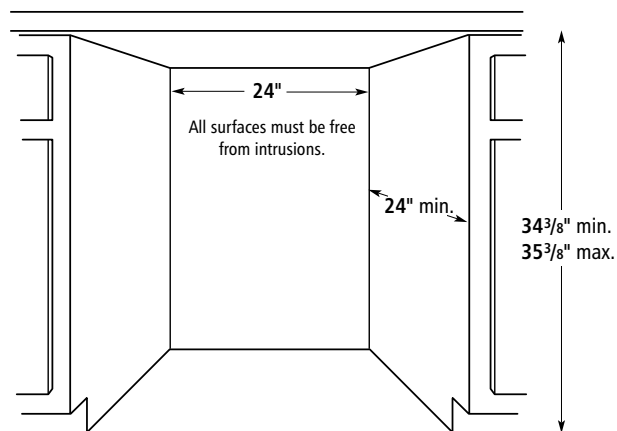


CUSTOM FRAME DIMENSIONS

KUWR204E, KUWL204E, KUBR204E, KUBL204E



CUTOUT DIMENSIONS

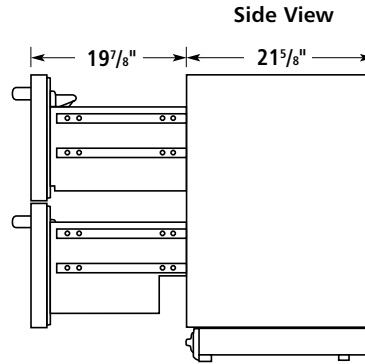
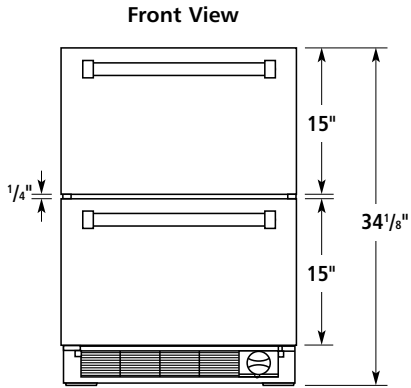


Dimensions are for planning purposes only. For complete details, see Installation Instructions packed with product. Specifications subject to change without notice.

DOUBLE-DRAWER REFRIGERATION

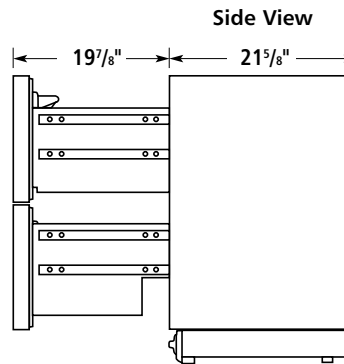
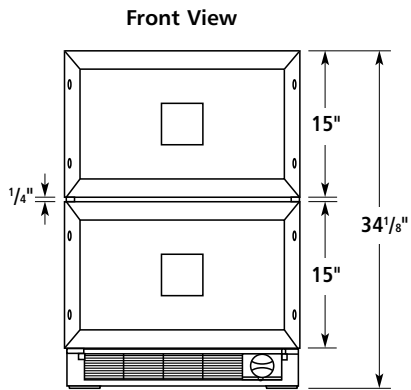
PRODUCT DIMENSIONS

KUDR204E, KUDF204E



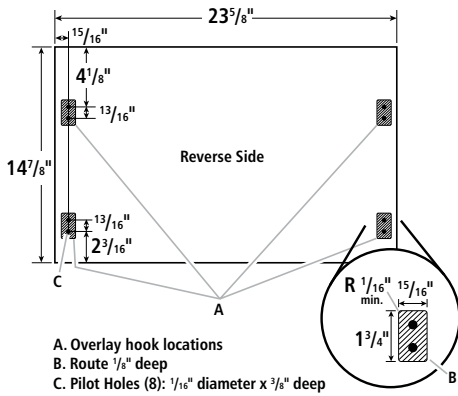
PRODUCT DIMENSIONS

KUDR204E, KUDF204E

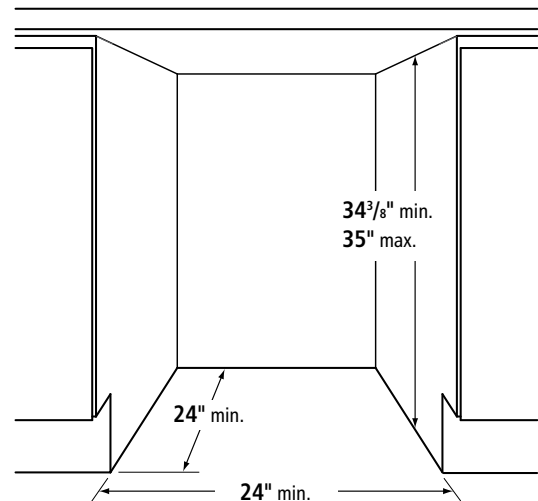


PANEL DIMENSIONS

KUDR204E, KUDF204E



CUTOUT DIMENSIONS



Dimensions are for planning purposes only. For complete details, see Installation Instructions packed with product. Specifications subject to change without notice.

AUTOMATIC ICE MAKERS

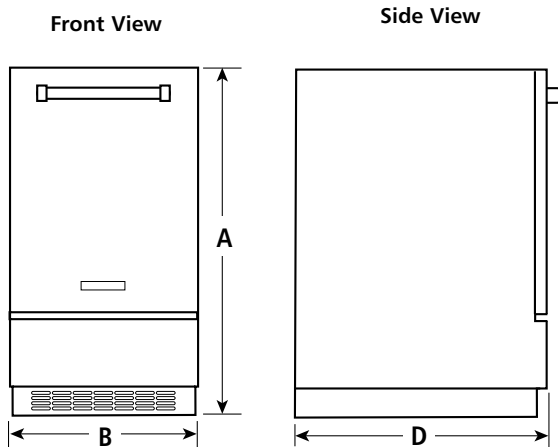
DIMENSIONS – shown in inches

MODEL NO.	18-INCH			15-INCH	
	KUID308E KUID508E	KUIS18PNZ	KUIO18NNZ	KUIX305E KUIX505E	KUIC15POZ
PRODUCT DIMENSIONS					
Height (A)*	33 ⁷ / ₈ min. – 34 ³ / ₈ max.	33 ⁷ / ₈ min. – 34 ³ / ₈ max.	33 ⁷ / ₈ min. – 34 ³ / ₈ max.	33 ⁷ / ₈ min. – 34 ³ / ₈ max.	33 ⁷ / ₈ min. – 34 ³ / ₈ max.
Width (B)	17 ⁷ / ₈	17 ⁷ / ₈	17 ⁷ / ₈	14 ⁷ / ₈	14 ⁷ / ₈
Depth (D)	23 ¹ / ₈	23 ¹ / ₈	23 ¹ / ₈	23 ¹ / ₈	23 ¹ / ₈
CUTOUT DIMENSIONS					
Height (E)	34 min. – 34 ¹ / ₂ max.	34 min. – 34 ¹ / ₂ max.	34 min. – 34 ¹ / ₂ max.	34 min. – 34 ¹ / ₂ max.	See CUTOUT DIMENSIONS – OPTION 1 & OPTION 2
Width (F)	18	18	18	15	
Depth (G)	24	24	24	24	

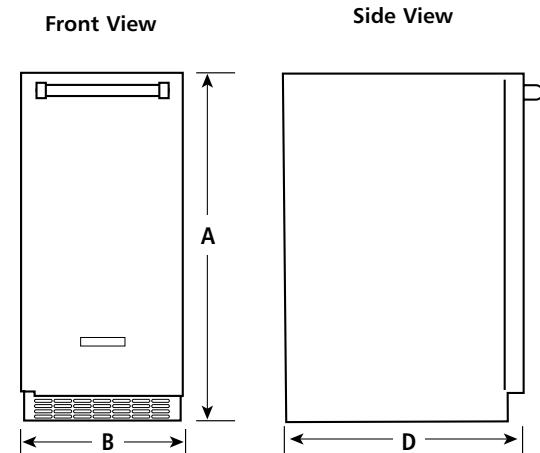
*Leveling legs fully extended.

PRODUCT DIMENSIONS

18-Inch

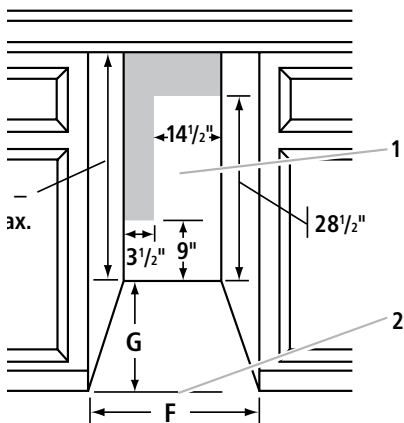


15-Inch



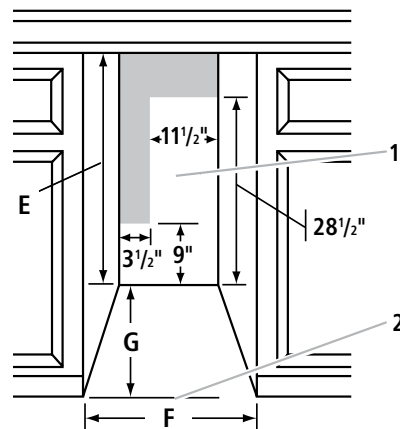
CUTOUT DIMENSIONS

18-Inch



1. Recommended location for electrical and plumbing fixtures.
2. Floor level

15-Inch



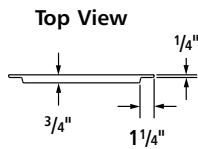
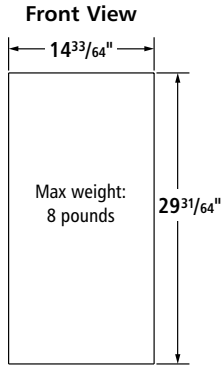
1. Recommended location for electrical and plumbing fixtures.
2. Floor level

AUTOMATIC ICE MAKERS (CONTINUED)

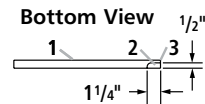
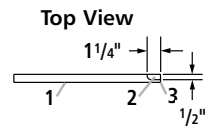
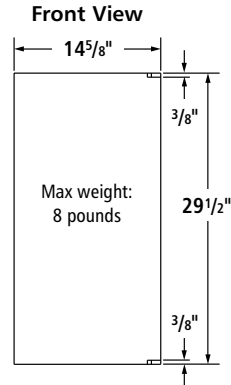
CUSTOM PANEL DIMENSIONS

KUIX505E

OPTION 1 –
without hinge-side spacer



OPTION 2 –
with hinge-side spacer

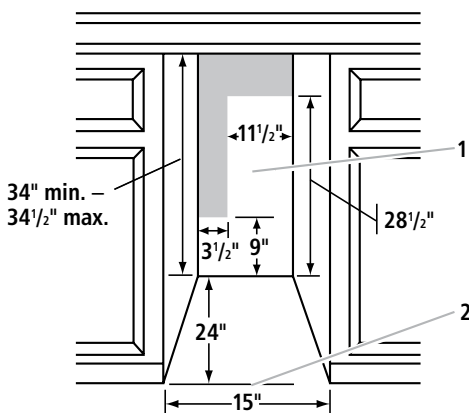


1. Front – visible surface when installed
2. Hinge side
3. Notch to a depth of 3/8"

CUTOUT DIMENSIONS

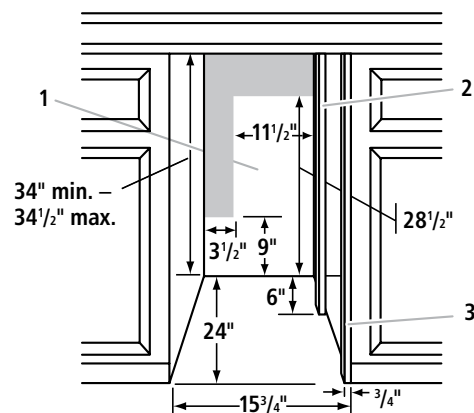
KUIX505E

OPTION 1 –
without hinge-side spacer



1. Recommended location for electrical and plumbing fixtures.
2. Floor level

OPTION 2 –
with hinge-side spacer

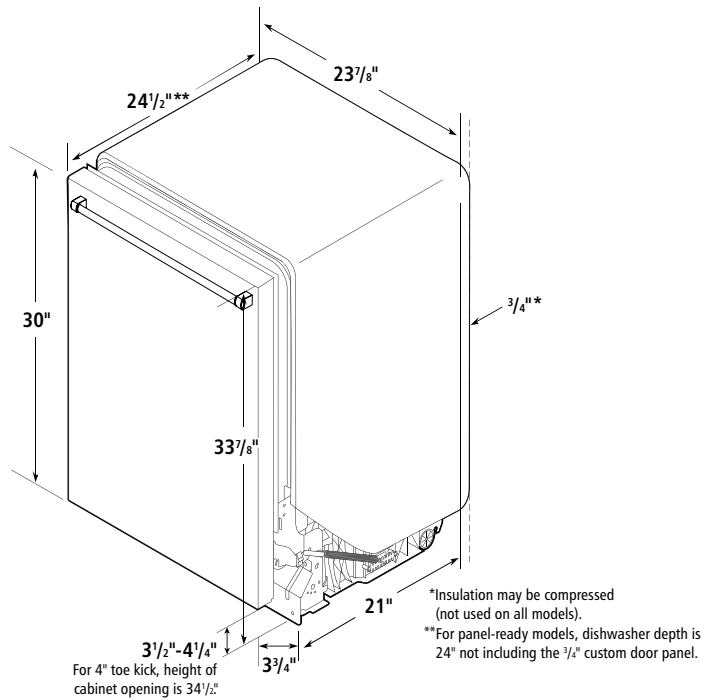


1. Recommended location for electrical and plumbing fixtures.
2. Hinge-side back spacer (install 6" from back wall to aid in drain alignment).
3. Hinge-side front spacer (install flush with front face of adjacent cabinet).

DISHWASHERS

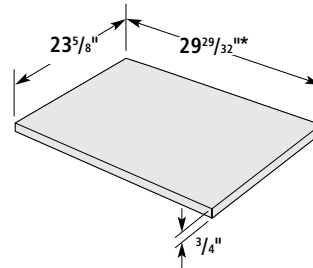
PRODUCT DIMENSIONS

KDTM504E, KDTM404E,* KDTM354D, KDTM354E, KDTE254E, KDTE204E, KDTE104E, KDFE204E, KDFE104D, KDTM704E



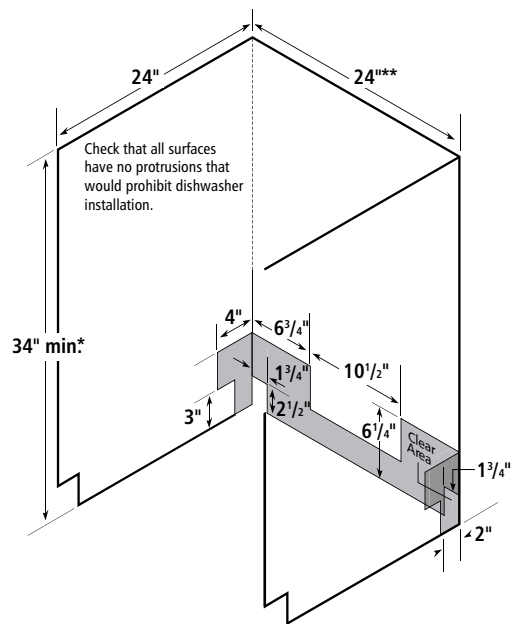
CUSTOM PANEL DIMENSIONS

KDTM504E, KDTM354E



*This dimension is for a 4" toe kick. If the installation needs a higher toe kick, adjust the height of the wood panel accordingly. Not recommended for toe kicks greater than 6".

CUTOUT DIMENSIONS



NOTE: Shaded areas of cabinet walls show where utility connections may be installed.

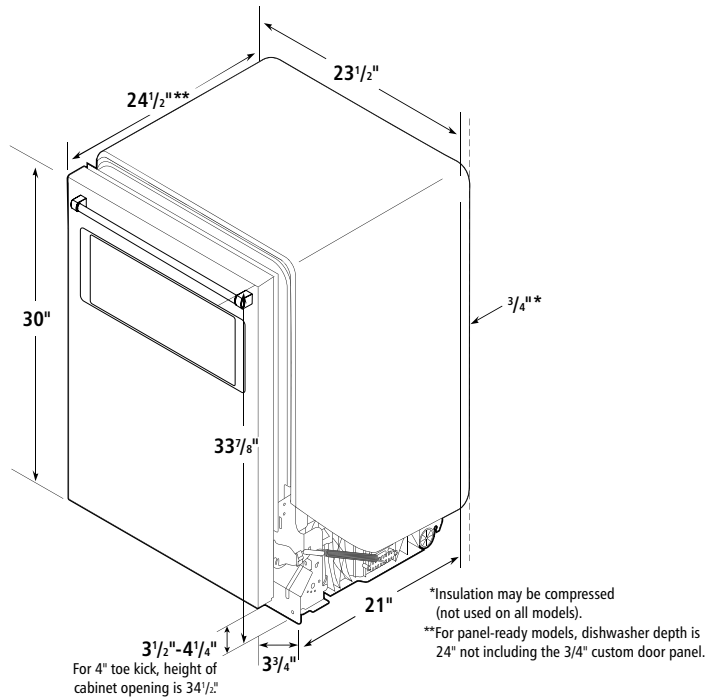
*Measured from the lowest point on the underside of countertop. May be reduced to 33⁷/₈" by removing wheels from dishwasher, or 33³/₄" by removing wheels AND perforated section in the insulation blanket.

**Minimum, measured from narrowest point of opening.

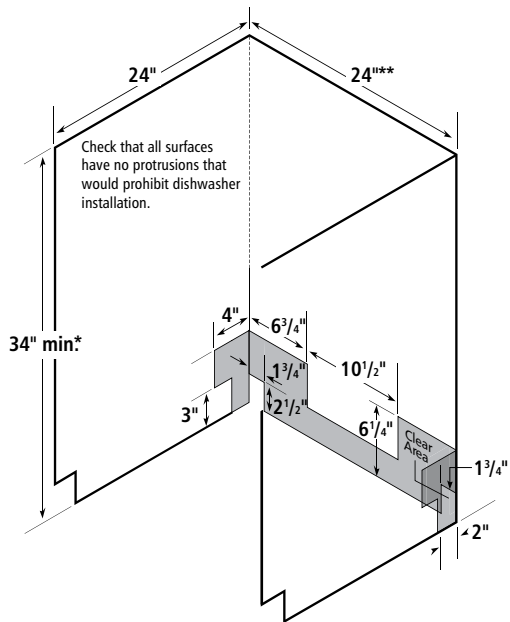
DISHWASHERS (CONTINUED)

PRODUCT DIMENSIONS

KDTM804E, KDTM384E



CUTOUT DIMENSIONS



NOTE: Shaded areas of cabinet walls show where utility connections may be installed.

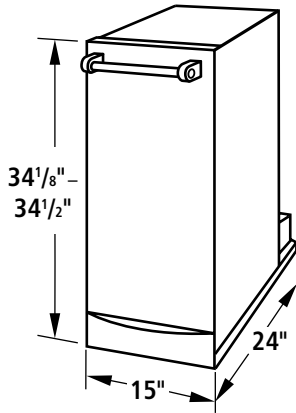
*Measured from the lowest point on the underside of countertop. May be reduced to 33 3/8" by removing wheels from dishwasher, or 33 3/4" by removing wheels AND perforated section in the insulation blanket.

**Minimum, measured from narrowest point of opening.

TRASH COMPACTORS

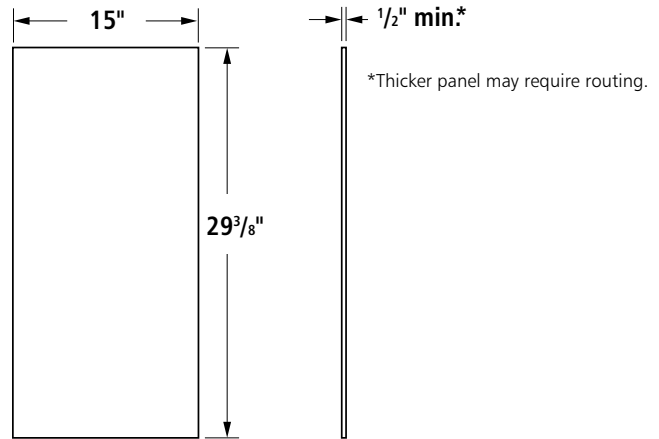
PRODUCT DIMENSIONS

KTTS505E

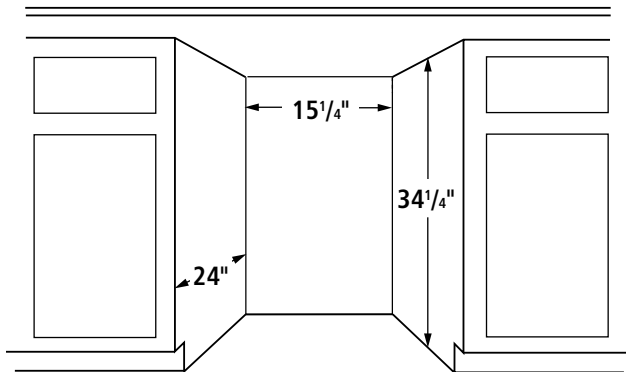


CUSTOM PANEL DIMENSIONS

KTTS505E



CUTOUT DIMENSIONS



WARRANTY INFORMATION

Warranty terms are subject to change, and below summaries are provided for reference purposes only. Visit KitchenAid.com for the most current warranty details including applicable terms, conditions and exclusions, or consult the Use & Care Guide provided with your product.

COOKING PRODUCT LIMITED WARRANTIES

	1st YEAR (limited parts and labor)	2nd-5th YEAR (limited parts only)	2nd-10th YEAR (limited parts only)
WALL OVENS	Entire product	Electric elements, solid-state touch-control system parts	
SLOW COOK WARMING DRAWERS	Entire product		
COOKTOPS	Entire product	Gas burners, electric elements, solid-state touch-control system parts Any cracking due to thermal shock of the ceramic-glass cooktop Any cracking of the rubber seal between the ceramic-glass cooktop and porcelain edge Surface unit elements	
DUAL FUEL RANGES	Entire product	Electric elements, gas burners, solid-state touch-control system parts	Porcelain oven cavity/inner door against rust-through (on steam-assist dual fuel ranges only)
GAS RANGES	Entire product	Gas burners, solid-state touch-control system parts	
ELECTRIC RANGES	Entire product	Electric elements, solid-state touch-control system parts Any cracking due to thermal shock of the ceramic-glass cooktop Any cracking of the rubber seal between the ceramic-glass cooktop and porcelain edge Surface unit elements	
BUILT-IN MICROWAVE OVENS, MICROWAVE HOOD COMBINATION OVENS, COUNTERTOP MICROWAVE OVENS	Entire product	Electric element, solid-state touch-control system parts	Stainless steel cavity/inner door against rust-through (on built-in microwave ovens only)
VENTILATION SYSTEMS*	Entire product		

*Excludes microwave hood combination ovens.

WARRANTY INFORMATION (CONTINUED)

Warranty terms are subject to change, and below summaries are provided for reference purposes only. Visit KitchenAid.com for the most current warranty details including applicable terms, conditions and exclusions, or consult the Use & Care Guide provided with your product.

REFRIGERATION PRODUCT LIMITED WARRANTIES

	1st-2nd Year (limited parts and labor)	3rd-6th Year (limited parts and labor)	7th-12th Year (limited parts only)
BUILT-IN REFRIGERATION	Entire product*	Sealed refrigeration system**	Sealed refrigeration system**
	1st Year (limited parts and labor)	2nd-5th Year (limited parts and labor)	6th-10th Year (limited parts only)
FREESTANDING REFRIGERATION	Entire product*	Sealed refrigeration system,** refrigerator/freezer cavity liner (cracking only)	Sealed refrigeration system**
	1st-2nd Year (limited parts and labor)	3rd-6th Year (limited parts and labor)	7TH-12th Year (limited parts only)
DRAWER REFRIGERATION	Entire product*	Sealed refrigeration system**	Sealed refrigeration system**
	1st Year (limited parts and labor)	2ND-5TH Year (limited parts and labor)	
UNDERCOUNTER REFRIGERATORS, WINE CELLARS, BEVERAGE CENTERS	Entire product*	Sealed refrigeration system,** refrigerator/freezer cavity liner (cracking only)	

*Excludes water filter (30-day limited warranty).

**Includes compressor, evaporator, condenser, dryer, and connecting tubing.

CLEANING PRODUCT LIMITED WARRANTIES

	1st Year (limited parts and labor)	2nd-5th Year (limited parts only)	Lifetime (limited parts and labor)
DISHWASHERS	Entire product	Electronic controls, nylon dish racks	Stainless steel tub, inner door liner
TRASH COMPACTORS	Entire product*		
	1st Year (limited parts and labor)	1st-5th Year (limited parts and labor)	1st-7th Year (limited parts and labor)
FOOD WASTE DISPOSERS	Entire product for model KCDB250G	Entire product for models KCDS075T, KCDI075B	Entire product for models KBDS100T, KCDS100T

*Excludes original charcoal filter and air freshener (30-day limited warranty).



KitchenAid

KitchenAid[®]

©/™ ©2015 KitchenAid. All Rights Reserved.

MULTIGRIND, MULTIGRIND PLUS, SOUNDSEAL and SOUNDSEAL PLUS
are trademarks of Emerson Electric Co., used under license.

The design of the stand mixer is a trademark in the U.S. and elsewhere.

05/15
KX140341D

(1573015C0515)