

BOTTOM-MOUNT BUILT-IN REFRIGERATOR

Installation Guide

IMPORTANT: READ AND SAVE THESE INSTRUCTIONS. INSTALLATION REQUIRES 2 OR MORE PEOPLE.

RÉFRIGÉRATEUR ENCASTRÉ AVEC CONGÉLATEUR EN DESSOUS

Guide d'installation

IMPORTANT : LIRE ET CONSERVER CES INSTRUCTIONS. L'INSTALLATION NÉCESSITE L'INTERVENTION DE 2 PERSONNES OU PLUS.

Table of Contents/Table des matières.....2

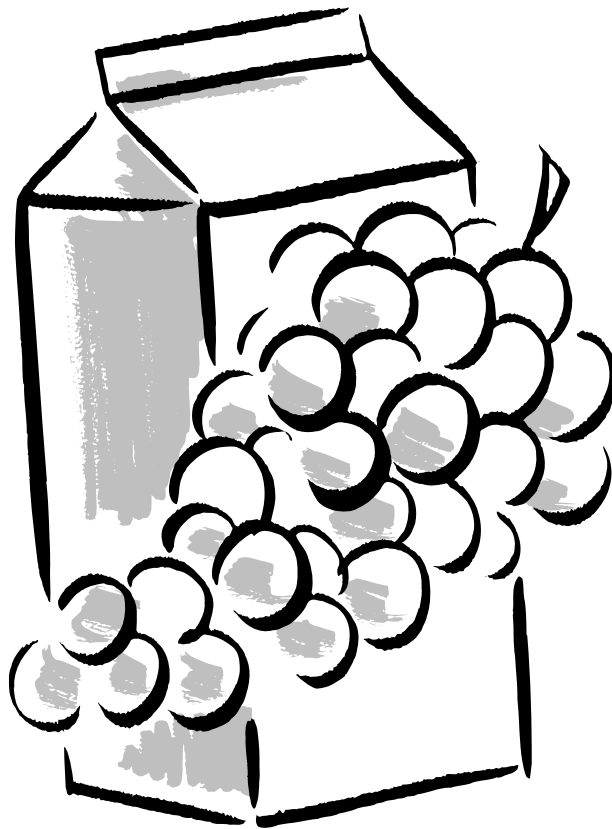


TABLE OF CONTENTS

REFRIGERATOR SAFETY	3	INSTALLATION INSTRUCTIONS	5
INSTALLATION REQUIREMENTS	3	Unpack the Refrigerator	5
Tools and Parts	3	Plug in Refrigerator.....	5
Location Requirements	4	Move Refrigerator Into Frame	6
Electrical Requirements	5	Install Door Panels.....	6
		Reverse the Doors.....	8
		Complete Installation.....	8

TABLE DES MATIÈRES

SÉCURITÉ DU RÉFRIGÉRATEUR	9	INSTRUCTIONS D'INSTALLATION	11
EXIGENCES D'INSTALLATION	9	Déballage du réfrigérateur.....	11
Outillage et pièces.....	9	Brancher le réfrigérateur.....	12
Exigences d'emplacement.....	10	Faire entrer le réfrigérateur dans l'encadrement.....	12
Spécifications électriques	11	Installation des panneaux de porte.....	12
		Inversion du sens d'ouverture de la porte	14
		Achever l'installation	14

REFRIGERATOR SAFETY

Your safety and the safety of others are very important.

We have provided many important safety messages in this manual and on your appliance. Always read and obey all safety messages.



This is the safety alert symbol.

This symbol alerts you to potential hazards that can kill or hurt you and others.

All safety messages will follow the safety alert symbol and either the word "DANGER" or "WARNING."

These words mean:

⚠ DANGER

You can be killed or seriously injured if you don't immediately follow instructions.

⚠ WARNING

You can be killed or seriously injured if you don't follow instructions.

All safety messages will tell you what the potential hazard is, tell you how to reduce the chance of injury, and tell you what can happen if the instructions are not followed.

⚠ WARNING

Excessive Weight Hazard

Use two or more people to move and install refrigerator.

Failure to do so can result in back or other injury.

INSTALLATION REQUIREMENTS

Tools and Parts

IMPORTANT:

- Installer: Leave Installation Instructions with the homeowner.
- Homeowner: Keep Installation Instructions for future reference. Save these Installation Instructions for the local electrical inspector's use.
- Do not remove tape and door bracing until the refrigerator is in its final location.
- WARNING: To avoid hazard due to instability of the refrigerator, it must be fixed in accordance with the instructions.

Tools Needed:

Gather the required tools before starting installation.

- Phillips screwdriver
- Flat-blade (slot) screwdriver

Parts Supplied:

- Cabinet alignment tool
- Door panel alignment tool
- Screw A - 9.5 mm long (8)
- Screw B - 13 mm long (22)
- Screw C - 25 mm long (2)
- Gaskets (2)
- Hinge caps (4)
- Hinge interior covers (4)
- Top screw covers (2)
- Panel mount covers (8)

Location Requirements

⚠ WARNING



Explosion Hazard

Keep flammable materials and vapors, such as gasoline, away from refrigerator.

Failure to do so can result in death, explosion, or fire.

IMPORTANT:

- Observe all governing codes and ordinances.
- It is recommended that you do not install the refrigerator near an oven, radiator, or other heat source.
- Do not install in a location where the temperature will fall below 55°F (13°C).
- Floor must support the refrigerator weight, more than 600 lbs (272 kg), door panels and contents of the refrigerator.

Opening Dimensions

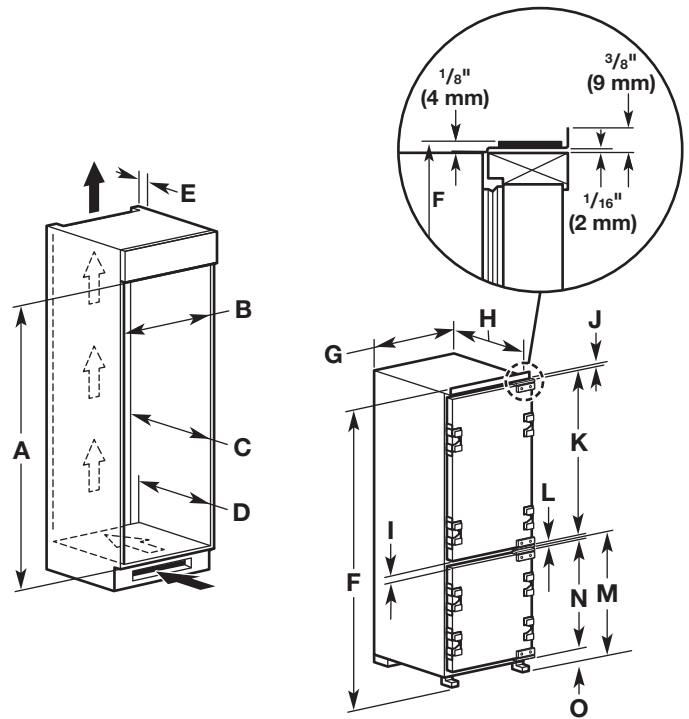
This refrigerator is designed to be installed inside a frame that fits between kitchen cabinets. The inside of the frame should be a minimum of 69¹⁵/₁₆" (177.6 cm) high, 22¹/₁₆" (56.0 cm) wide, and 21⁷/₈" (55.5 cm) deep (front-to-back).

For proper ventilation, you must allow adequate unobstructed space behind the refrigerator and below and above the frame. Air enters below the refrigerator and exits above it.

- Allow a clearance minimum of 2" (50 mm) at the top of the frame.
- The minimum depth of the base of the frame is 20¹/₂" (520 mm) (front to back).
- The base can be as desired, but height should match height of toe kick of surrounding cabinets. A vent with an opening of at least 31 sq. in. (200 sq. cm) is required for proper ventilation.
- If the space between the top of the frame and the ceiling is open air, allow a minimum of 7⁷/₈" (20.0 cm) above the refrigerator.

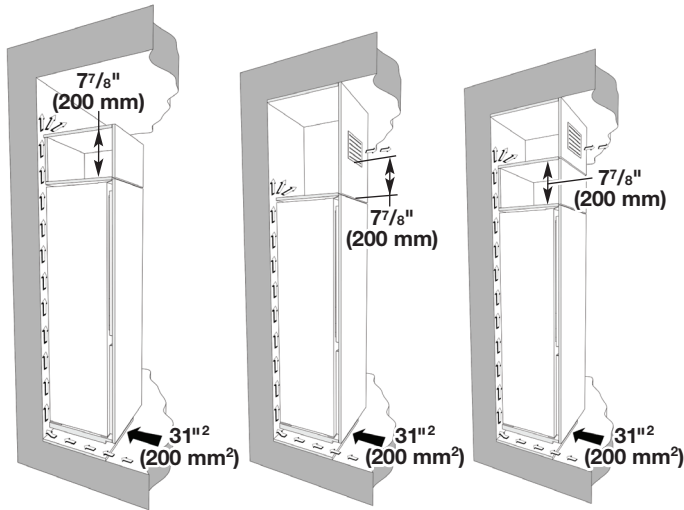
If the space between the top of the frame and the ceiling is enclosed as part of the surrounding cabinetry, a vent with an opening of at least 31 sq. in. (200 sq. cm) is required. The bottom of the vent must be a minimum of 7⁷/₈" (20.0 cm) above the refrigerator.

NOTE: Vent covers are not supplied with the unit.



Dimension Table

A	70" (1776 mm)
B	22" (560 mm)
C	minimum 21 ⁷ / ₈ " (555 mm)
D	minimum 20 ⁷ / ₁₆ " (520 mm)
E	minimum 2" min. (50 mm)
F	69" (1770 mm)
G	21 ¹ / ₄ " (540 mm)
H	21 ¹ / ₂ " (545 mm)
I	2 ³ / ₈ " (60 mm)
J	1/16" (2 mm)
K	42" (1057 mm)
L	3/16" (10 mm)
M	28" (703 mm)
N	26 ¹ / ₄ " (668 mm)
O	1 ¹ / ₈ " (30 mm)



Product Dimensions

- The unit is 69¹/₁₆" (177.0 cm) high, 21⁹/₃₂" (54.0 cm) wide, and 21¹⁵/₃₂" (54.5 cm) deep (front-to-back).
- The refrigerator door (including hinges (x2)) is 20⁵/₈" (105.75 cm) high. The Freezer door (including hinges (x2)) is 26⁵/₁₆" (66.85 cm) high.
The space between the refrigerator and freezer doors is 2³/₈" (6.0 cm). The space between the door hinges is 1³/₃₂" (1.0 cm).
- A grounded 3 prong electrical outlet should be placed within 4" (10.2 cm) of the right side cabinets or end panel. See "Electrical Requirements" for additional information.

Electrical Requirements

⚠ WARNING



Electrical Shock Hazard

- Plug into a grounded 3 prong outlet.
- Do not remove ground prong.
- Do not use an adapter.
- Do not use an extension cord.
- Failure to follow these instructions can result in death, fire, or electrical shock.

Before you move your refrigerator into its final location, it is important to make sure you have the proper electrical connection.

Recommended Grounding Method

A 115 volt, 60 Hz., AC only, 15- or 20-amp fused, grounded electrical supply is required. It is recommended that a separate circuit serving only your refrigerator be provided. Use an outlet that cannot be turned off by a switch. Do not use an extension cord.

IMPORTANT: If this product is connected to a GFCI (Ground Fault Circuit Interrupter) protected outlet, nuisance tripping of the power supply may occur, resulting in loss of cooling. Food quality and flavor may be affected. If nuisance tripping has occurred, and if the condition of the food appears poor, dispose of it.

NOTE: Before performing any type of installation or cleaning, disconnect power at the circuit breaker box.

When you are finished, reconnect power at the circuit breaker box. Then reset the control to the desired setting.

INSTALLATION INSTRUCTIONS

Unpack the Refrigerator

⚠ WARNING

Excessive Weight Hazard

Use two or more people to move and install refrigerator.

Failure to do so can result in back or other injury.

IMPORTANT:

- Keep the cardboard shipping piece or plywood under the refrigerator until it is installed in the operating location.
1. Save all literature that is provided inside the refrigerator, and do not remove the literature packet taped to the outside of the refrigerator.
 2. Remove the four brackets (two on each side) that attach the shipping base to the refrigerator bottom.
- NOTE:** Do not remove tape and door bracing until the refrigerator is in its final location.

Plug in Refrigerator

⚠ WARNING



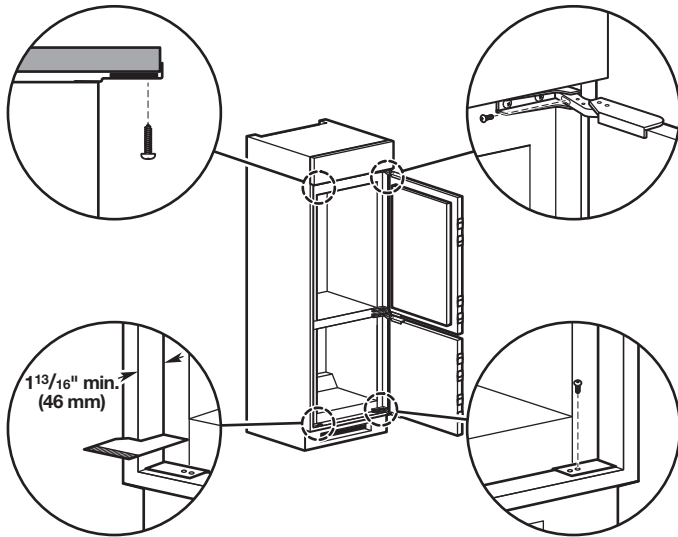
Electrical Shock Hazard

- Plug into a grounded 3 prong outlet.
- Do not remove ground prong.
- Do not use an adapter.
- Do not use an extension cord.
- Failure to follow these instructions can result in death, fire, or electrical shock.

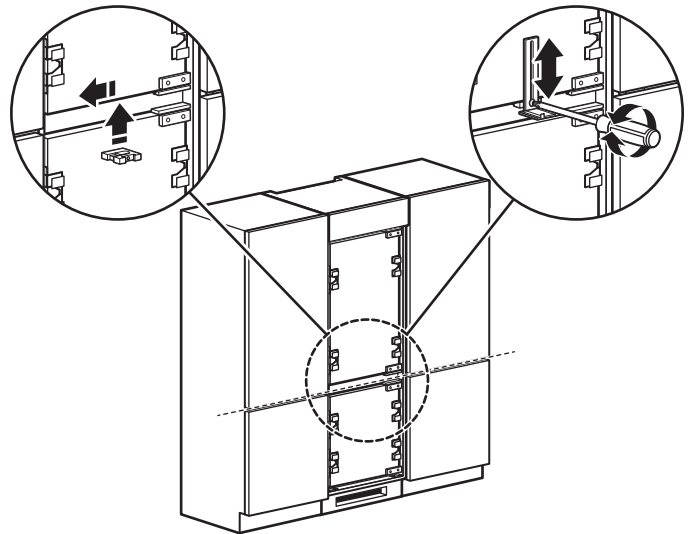
1. Plug into a grounded 3 prong outlet.

Move Refrigerator Into Frame

1. Attach the hinge caps, two on the refrigerator door and two on the freezer door.
2. Place the gasket on the side of the unit opposite the hinges.
3. Move the refrigerator into the frame.
4. Use a Phillips screwdriver and two 13 mm screws (one for each side) to attach the brackets at the top of the unit to the underside of the top of the frame.
5. Use the cabinet alignment tool to make sure that the refrigerator is pushed into the frame to the proper distance $13\frac{13}{16}$ " (46 mm).
6. Use a Phillips screwdriver and two 25 mm screws (one for each side) to attach the brackets at the base of the unit to the floor of the frame.
7. Use a Phillips screwdriver and four 13 mm screws (one for each hinge) to attach the hinges to the side of the frame.



Install Door Panels



Door Panels Requirements (each door)

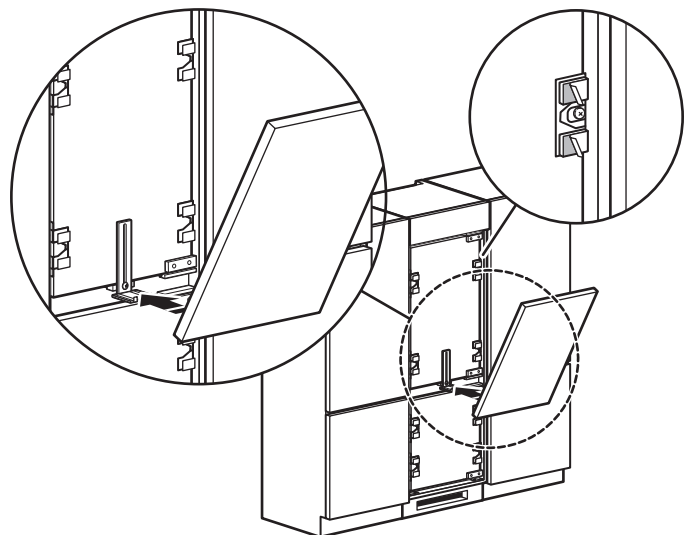
Max Weight: 26.5 lbs (12 Kg)

Minimum Panels Dimensions:

Refrigerator Door Panel: $42\frac{7}{8}$ " (1071.5 mm) x $23\frac{1}{4}$ " (590 mm) x $\frac{3}{4}$ " (20 mm)

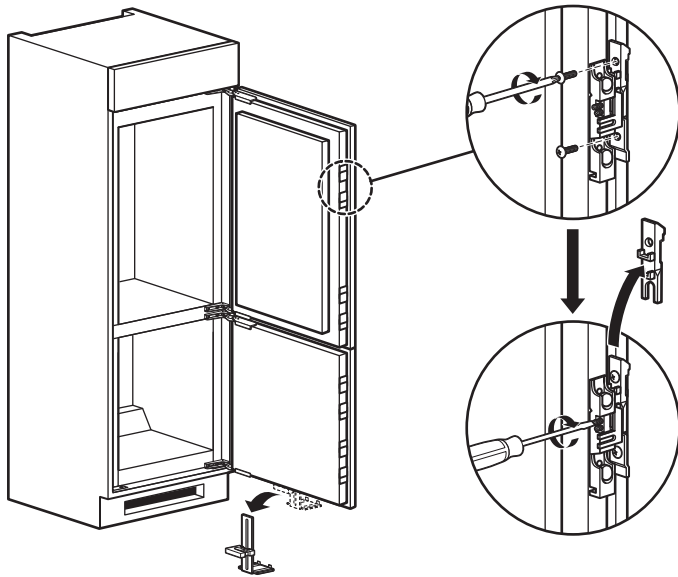
Freezer Door Panel: $27\frac{5}{8}$ " (701.5 mm) x $23\frac{1}{4}$ " (590 mm) x $\frac{3}{4}$ " (20 mm).

1. Mount the panel alignment tool onto the refrigerator door.
 - Align the smaller piece with the screws on the bottom of the door, and slide it to the left (step 1 and 2 in picture above).
 - Assemble the panel alignment tool by inserting the long arm of the main piece into the cutout of the smaller piece, and adjust it so that the base is at the appropriate height, aligned with the base of the surrounding cabinet doors. Use a screwdriver to tighten the panel alignment tool's 9.5 mm screw and hold it in place (step 3 in picture above).
2. Attach the refrigerator door panel.



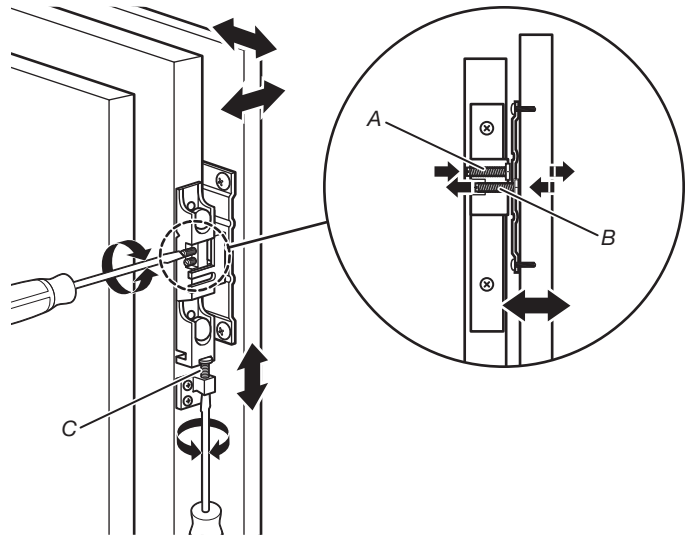
- Peel the protective paper covers off of the adhesive pads on each refrigerator door panel mount. There are two adhesive pads on each of the four panel mounts.
- At an angle, rest the base of the refrigerator door panel on the panel alignment tool.

- Slowly tilt the panel to attach it to the adhesive pads on the panel mounts. Firmly press against the corners of the door to ensure that the panel is properly attached to the adhesive pads.
3. Loosen the panel alignment tool's screw and remove the tool from the refrigerator door by sliding it to the right and off of the door.
 4. Mount the panel alignment tool onto the freezer door. Repeat Step 1 in refrigerator.
 5. Attach the freezer door. Repeat Step 2 in refrigerator.
 6. Loosen the panel alignment tool's screw, and remove the tool from the freezer door by sliding it to the right and off of the door.
 7. Open both doors and fasten the panel mounts to the door panels. All eight panel mounts (four on each door) should be fastened in the same manner:



- Use a Phillips screwdriver and two 13 mm screws (one at the top of the mount and one at the bottom of the mount) to fasten the mount to the door panel.
- Locate the two slotted headless screws, and use a flat-blade screwdriver to turn the bottom headless screw clockwise. This loosens the panel mount brace, which is between the panel mount and the door panel. Remove and discard the panel mount brace.

8. Finalize the placement of the door panels by using the alignment screws on the panel mounts.



A. Top slotted headless screw
B. Bottom slotted headless screw
C. Screw

NOTE: Make sure that the door panels do not come into direct contact with any of the surrounding cabinets or cabinet doors. Such contact could prevent the refrigerator and/or freezer door(s) from closing properly.

- The top slotted headless screw (A in the picture) adjusts the spacing between the door and the door panel. Use a flat-blade screwdriver to make adjustments. Turn the screw clockwise to increase the space between the door and door panel and counterclockwise to decrease the space.

NOTE: When the doors are closed, there should be a minimum of 1 mm of space between the rear face of the door panels and the front face of the frame. Use the top slotted headless screw to add more space if necessary.

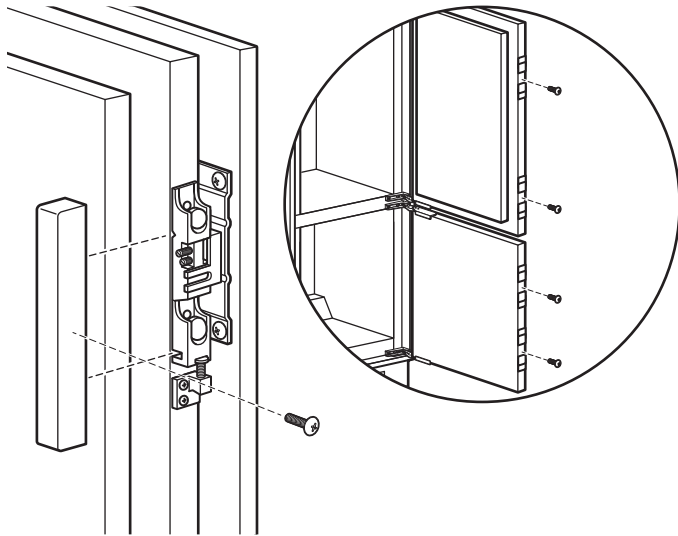
- The bottom slotted headless screw (B in the picture) adjusts the horizontal (left-to-right) alignment of the door panel. Use a flat-blade screwdriver to turn the screw clockwise and loosen it. Slide the panel to the left or right as desired, and then tighten the screw by turning it counterclockwise.

NOTE: Do not slide the panel more than 2.5 mm in either direction. If you slide the panel too far, the panel mount may not properly fasten to the door panel.

- The screw (C in the picture) at the bottom of the panel mount adjusts the vertical (top-to-bottom) alignment of the door panel. Use a flat-blade screwdriver to make adjustments. Turn the screw clockwise to raise the door panel and counterclockwise to lower the door panel.

NOTE: To raise or lower the door panel, you may need to first loosen the slotted headless screws. If you do, make sure to re-tighten them after making the desired vertical adjustment.

- Fix each panel mount into place, and then install the panel mount covers and hinge end caps.



- Use a Phillips screwdriver and a 9.5 mm screw to fix each of the panel mounts (four on each door) into place.
- Snap a panel mount cover onto each panel mount that is on the side of the door opposite the hinges, and then snap a hinge end cap onto each hinge.

- Install the two top screw covers and the four hinge interior covers. Each snaps into place.

- If present, remove the hole plugs from the opposite side of the refrigerator door.
- Use the four screws to install the top hinge on the opposite (bottom) side of the refrigerator door. Repeat for the bottom hinge.
- Insert the hole plugs where the hinge screws were prior to the door reversal.
- Repeat the process to reverse the freezer door.

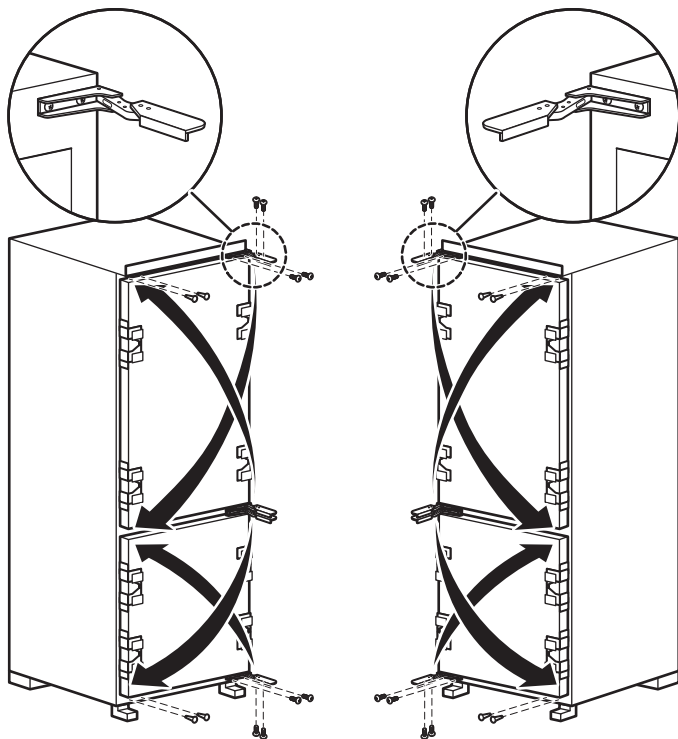
Complete Installation

- Remove all boxes, parts packages and packing materials from the interior of the refrigerator. See the "Cleaning" section in the Use & Care Guide for instructions.
- Install the shelves and bins in the refrigerator and freezer compartments.
- The controls are preset at the factory to the midpoint setting. Make sure the compressor is operating properly and that all the lights are working.

To get the most efficient use from your new built-in refrigerator, read the Use & Care Guide. Keep Installation Instructions and Use & Care Guide near the built-in refrigerator for easy reference.

Reverse the Doors

(optional)



- Use a Phillips screwdriver to remove the four screws on the top hinge of the refrigerator door. Repeat for the four screws on the bottom hinge of the refrigerator door.

SÉCURITÉ DU RÉFRIGÉRATEUR

Votre sécurité et celle des autres est très importante.

Nous donnons de nombreux messages de sécurité importants dans ce manuel et sur votre appareil ménager. Assurez-vous de toujours lire tous les messages de sécurité et de vous y conformer.



Voici le symbole d'alerte de sécurité.

Ce symbole d'alerte de sécurité vous signale les dangers potentiels de décès et de blessures graves à vous et à d'autres.

Tous les messages de sécurité suivront le symbole d'alerte de sécurité et le mot "DANGER" ou "AVERTISSEMENT". Ces mots signifient :

⚠ DANGER

Risque possible de décès ou de blessure grave si vous ne suivez pas immédiatement les instructions.

⚠ AVERTISSEMENT

Risque possible de décès ou de blessure grave si vous ne suivez pas les instructions.

Tous les messages de sécurité vous diront quel est le danger potentiel et vous disent comment réduire le risque de blessure et ce qui peut se produire en cas de non-respect des instructions.

⚠ AVERTISSEMENT

Risque du poids excessif

Utiliser deux ou plus de personnes pour déplacer et installer le réfrigérateur.

Le non-respect de cette instruction peut causer une blessure au dos ou d'autre blessure.

EXIGENCES D'INSTALLATION

Outillage et pièces

IMPORTANT :

- Installateur : Remettre les instructions d'installation au propriétaire.
- Propriétaire : Conserver les instructions d'installation pour référence ultérieure. Conserver ces instructions d'installation pour consultation par l'inspecteur local des installations électriques.
- Ne pas enlever les rubans adhésifs et articles d'arrimage des portes avant que le réfrigérateur ne soit placé à son emplacement d'installation final.
- AVERTISSEMENT : Pour éviter un danger provoqué par l'instabilité du réfrigérateur, ce dernier doit être fixé selon les instructions.

Outillage nécessaire :

Rassembler les outils nécessaires avant de commencer l'installation.

- Tournevis Phillips
- Tournevis à lame plate

Pièces fournies :

- Outil d'alignement de l'armoire
- Outil d'alignement du panneau de porte
- Vis A - 9,5 mm (8)
- Vis B - 13 mm (22)
- Vis C - 25 mm (2)
- Joints d'étanchéité (2)
- Cache-charnière (4)
- Cache-charnière intérieurs (4)
- Cache-vis supérieurs (2)
- Cache-support de panneau (8)

Exigences d'emplacement

⚠ AVERTISSEMENT



Risque d'explosion

Garder les matériaux et les vapeurs inflammables, telle que l'essence, loin du réfrigérateur.

Le non-respect de cette instruction peut causer un décès, une explosion ou un incendie.

IMPORTANT :

- Observer les dispositions de tous les codes et règlements en vigueur.
- Il est conseillé de ne pas installer le réfrigérateur près d'un four, d'un radiateur ou de toute autre source de chaleur.
- Ne pas installer l'appareil dans un endroit où la température pourrait abaisser en dessous de 55°F (13°C).
- Le plancher doit pouvoir supporter le poids du réfrigérateur, soit plus de 272 kg (600 lb), en plus des panneaux de porte et du contenu du réfrigérateur.

Dimensions de l'ouverture

Ce réfrigérateur est conçu pour être installé à l'intérieur d'un encadrement qui se situe entre les armoires de cuisine. L'intérieur de l'encadrement doit être un minimum de 69 15/16" (177,6 cm) de haut, 22 1/8" (56,0 cm) de large, et 21 7/8" (55,5 cm) de profondeur (avant-arrière).

Pour une aération adéquate, assurer une espace libre à l'arrière du réfrigérateur, au-dessous et en dessous de l'encadrement. L'air pénètre en dessous du réfrigérateur et quitte au-dessus du réfrigérateur.

- Laisser un espace minimum de 2" (50 mm) au-dessus de l'encadrement.
- La profondeur minimale de la base de l'encadrement est de 20 1/2" (520 mm) (avant et arrière).
- La base peut être conçue comme l'on désire, mais doit correspondre à la hauteur des plinthes d'armoire environnantes. Un évent avec une ouverture d'au moins 31 po² (200 cm²) est requis pour une aération adéquate.

- Si l'espace entre le haut de l'encadrement et le plafond est de l'air ouvert, prévoir un minimum de 7 7/8" (20,0 cm) au-dessus du réfrigérateur.

Si l'espace entre le haut de l'encadrement et le plafond est enfermé comme faisant partie des armoires environnantes, un évent avec une ouverture d'au moins 31 po² (200 cm²) est requis. La partie inférieure de l'évent doit être d'un minimum de 7 7/8" (20,0 cm) au-dessus du réfrigérateur.

REMARQUE : Les couvertures d'évent ne sont pas fournies avec l'appareil.

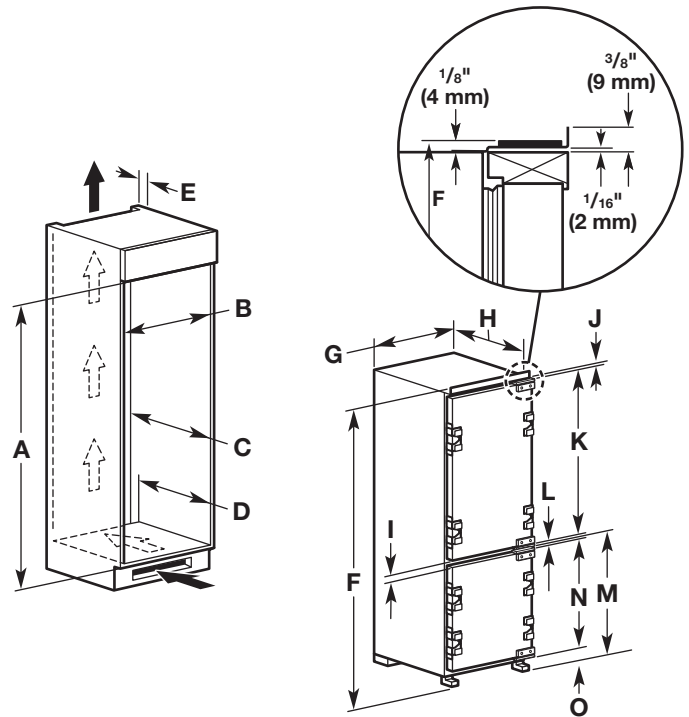
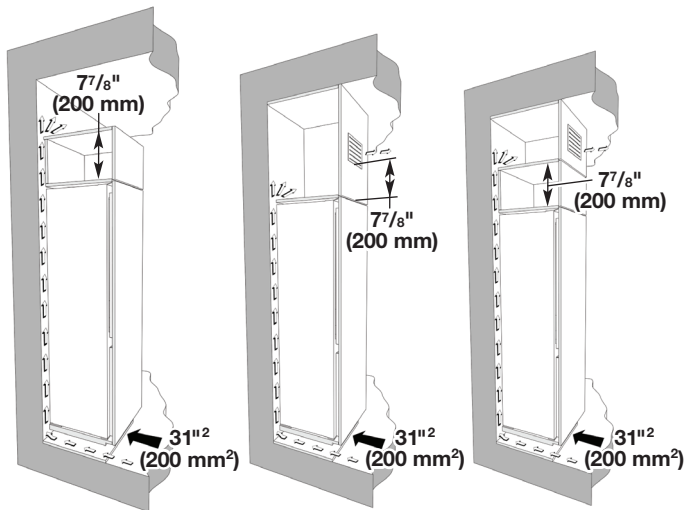


Tableau de dimensions

A	70" (1776 mm)
B	22" (560 mm)
C	minimum 21 7/8" (555 mm)
D	minimum 20 7/16" (520 mm)
E	minimum 2" (50 mm)
F	69" (1770 mm)
G	21 1/4" (540 mm)
H	21 1/2" (545 mm)
I	2 3/8" (60 mm)
J	1/16" (2 mm)
K	42" (1057 mm)
L	3/16" (10 mm)
M	28" (703 mm)
N	26 1/4" (668 mm)
O	1 1/8" (30 mm)



Dimensions du produit

- L'appareil est 69 11/16" (177,0 cm) de haut, 21 5/32" (54,0 cm) de large, et 21 15/32" (54,5 cm) de profondeur (avant-arrière).
- La porte du réfrigérateur (y compris les charnières (x2)) est de 20 5/8" (105,75 cm) de haut. La porte du congélateur (y compris les charnières (x2)) est 26 5/16" (66,85 cm) de haut.
L'espace entre les portes du réfrigérateur et du congélateur est 2 3/8" (6,0 cm). L'espace entre les charnières de porte est 1 3/32" (1,0 cm).
- Une prise électrique à trois broches avec mise à la terre doit être placée à moins de 4" (10,2 cm) des meubles de droite ou du panneau d'extrémité de droite. Voir "Spécifications électriques" pour plus de renseignements.

Spécifications électriques

⚠ AVERTISSEMENT



Risque de choc électrique

- Brancher sur une prise à 3 alvéoles reliée à la terre.
- Ne pas enlever la broche de liaison à la terre.
- Ne pas utiliser un adaptateur.
- Ne pas utiliser un câble de rallonge.
- Le non-respect de ces instructions peut causer un décès, un incendie ou un choc électrique.

Avant de déplacer le réfrigérateur à son emplacement final, il est important de vous assurer d'avoir le raccordement électrique approprié.

Méthode recommandée de liaison à la terre

Chaque appareil doit être alimenté par un circuit 115 volts (CA seulement, 60 Hz) relié à la terre et protégé par un fusible de capacité 15 A ou 20 A. Il est recommandé d'utiliser un circuit distinct pour alimenter le réfrigérateur uniquement. Utiliser une prise de courant dont l'alimentation ne peut pas être interrompue par un interrupteur. Ne pas utiliser de rallonge.

IMPORTANT : Si ce produit est connecté à une prise protégée par un disjoncteur de fuite à la terre, un déclenchement intempestif peut se produire et causer une perte de refroidissement. La qualité et la saveur des aliments risquent d'être affectées. Si un déclenchement intempestif se produit et si les aliments semblent de piètre qualité, jeter le tout.

REMARQUE : Avant d'effectuer tout type d'installation ou de nettoyage, couper l'alimentation au boîtier de disjoncteurs.

Lorsque terminé, rétablir le courant au boîtier de disjoncteurs. Puis mettre de nouveau le réglage au réglage désiré.

INSTRUCTIONS D'INSTALLATION

Déballage du réfrigérateur

⚠ AVERTISSEMENT

Risque du poids excessif

Utiliser deux ou plus de personnes pour déplacer et installer le réfrigérateur.

Le non-respect de cette instruction peut causer une blessure au dos ou d'autre blessure.

IMPORTANT :

- Garder la pièce de carton ou de contreplaqué d'expédition sous le réfrigérateur jusqu'à son installation à l'emplacement de service.
- 1. Conserver les documents qui sont fournis à l'intérieur du réfrigérateur, et ne pas enlever le sachet de documentation apposé avec du ruban adhésif à l'extérieur du réfrigérateur.
- 2. Enlever les quatre brides (deux de chaque côté) fixant la base utilisée pour l'expédition au bas du réfrigérateur.

REMARQUE : Ne pas enlever les rubans adhésifs et articles d'arrimage des portes avant que le réfrigérateur ne soit placé à son emplacement d'installation final.

Brancher le réfrigérateur

⚠ AVERTISSEMENT



Risque de choc électrique

Brancher sur une prise à 3 alvéoles reliée à la terre.

Ne pas enlever la broche de liaison à la terre.

Ne pas utiliser un adaptateur.

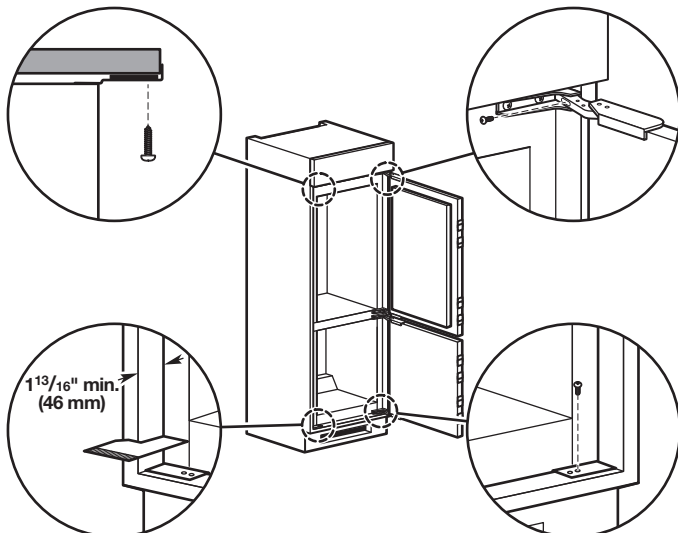
Ne pas utiliser un câble de rallonge.

Le non-respect de ces instructions peut causer un décès, un incendie ou un choc électrique.

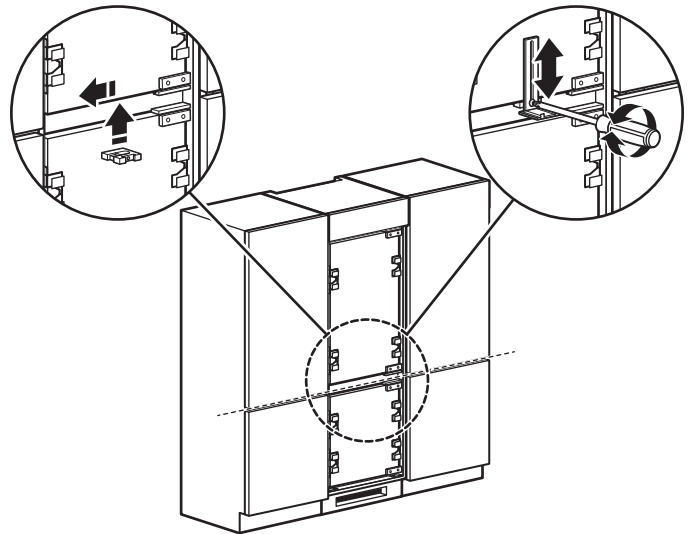
1. Brancher l'appareil sur une prise à 3 alvéoles reliée à la terre.

Faire entrer le réfrigérateur dans l'encadrement

1. Fixer les cache-charnière, deux sur la porte du réfrigérateur et deux sur la porte du congélateur.
2. Placer le joint d'étanchéité sur le côté de l'appareil opposé aux charnières.
3. Faire entrer le réfrigérateur dans l'encadrement.
4. À l'aide d'un tournevis Phillips et deux vis de 13 mm (une pour chaque côté), fixer les supports au sommet de l'appareil à la face inférieure de la partie supérieure de l'encadrement.
5. Utiliser l'outil d'alignement de l'armoire pour s'assurer que le réfrigérateur est poussé dans l'encadrement à la bonne distance de 13 13/16" (46 mm).
6. À l'aide d'un tournevis Phillips et deux vis de 25 mm (une pour chaque côté), fixer les supports à la base de l'appareil au sol de l'encadrement.
7. À l'aide d'un tournevis Phillips et quatre vis de 13 mm (une pour chaque charnière), fixer les charnières au côté de l'encadrement.



Installation des panneaux de porte



Exigences de panneaux de porte (chaque porte)

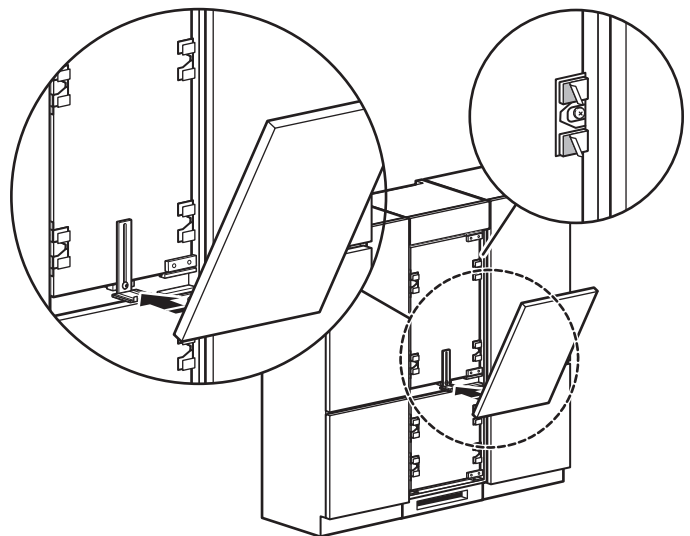
Poids maximum : 26,5 lb (12 kg)

Dimensions minimales des panneaux :

Panneau de porte du réfrigérateur : 42 1/8" (1071,5 mm) x 23 1/4" (590 mm) x 3/4" (20 mm)

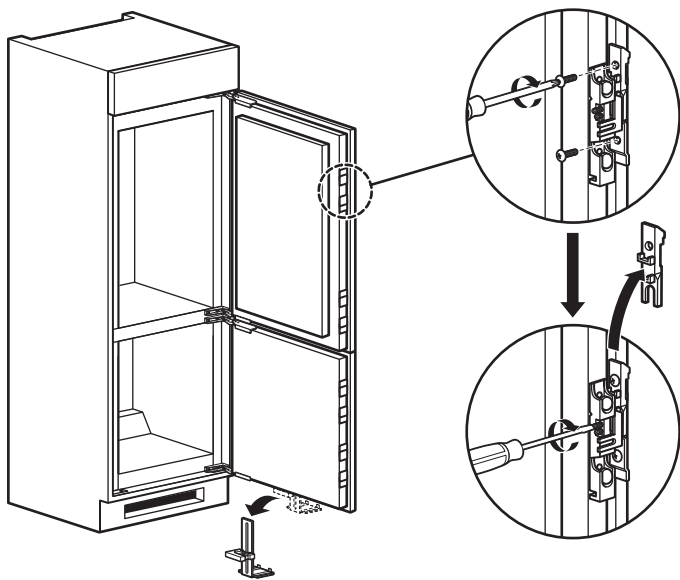
Panneau de porte du congélateur : 27 5/8" (701,5 mm) x 23 1/4" (590 mm) x 3/4" (20 mm)

1. Monter l'outil d'alignement de panneau sur la porte du réfrigérateur.
 - Aligner la pièce plus petite au moyen des vis sur le bas de la porte, et la glisser vers la gauche (étapes 1 et 2 de l'illustration ci-dessus).
 - Assembler l'outil d'alignement du panneau en insérant le bras long de la pièce principale dans la découpe de la plus petite pièce, et l'ajuster de sorte que la base est à la hauteur appropriée, alignée avec la base des portes d'armoires environnantes. À l'aide d'un tournevis, serrer la vis de 9,5 mm de l'outil d'alignement de panneau pour le maintenir en place (étape 3 de l'illustration ci-dessus).
2. Fixer le panneau de porte du réfrigérateur.



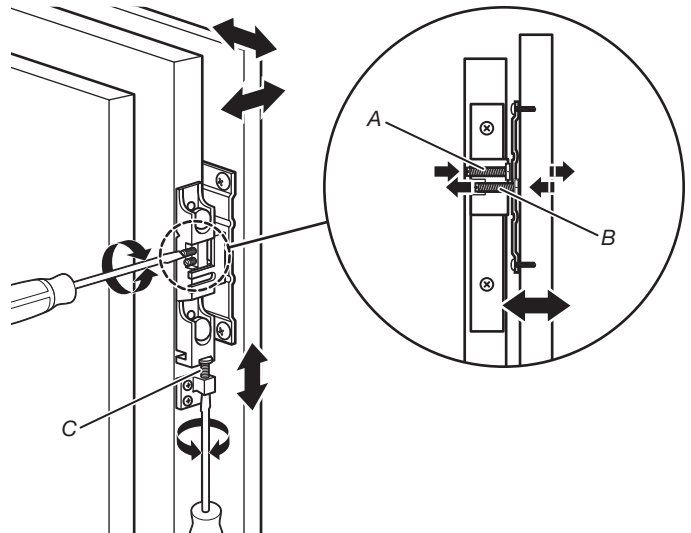
- Retirer les couvertures de papier de protection des coussins adhésifs sur chaque support de panneau de porte du réfrigérateur. Il y a deux coussins adhésifs sur chacun des quatre supports de panneaux.

- À un angle, reposer la base du panneau de porte du réfrigérateur sur l'outil d'alignement du panneau.
 - Pencher lentement le panneau pour le fixer aux coussins adhésifs sur les supports de panneau. Appuyer fermement contre les coins de la porte pour s'assurer que le panneau est correctement fixé aux coussins adhésifs.
3. Desserrer la vis de l'outil d'alignement du panneau et retirer l'outil de la porte du réfrigérateur en le faisant glisser vers la droite, puis le retirer de la porte.
 4. Monter l'outil d'alignement de panneau sur la porte du congélateur. Répéter l'étape 1 dans le réfrigérateur.
 5. Fixer la porte du congélateur. Répéter l'étape 2 dans le réfrigérateur.
 6. Desserrer la vis de l'outil d'alignement du panneau et retirer l'outil de la porte du congélateur en le faisant glisser vers la droite, puis le retirer de la porte.
 7. Ouvrir les deux portes et fixer les supports de panneaux aux panneaux de porte. Tous les huit supports de panneaux (quatre sur chaque porte) doivent être fixés de la même manière :



- À l'aide d'un tournevis Phillips et deux vis de 13 mm (une au sommet du support et une au bas du support), fixer le support au panneau de porte.
- Localiser les deux vis sans tête à fente et à l'aide d'un tournevis à lame plate, tourner la vis sans tête à fente au bas vers la droite. Ceci détache la cale du support de panneau, qui est entre le support de panneau et le panneau de porte. Retirer et jeter la cale du support de panneau.

8. Finaliser la mise en place des panneaux de porte au moyen des vis d'alignement sur les supports du panneau.



A. Vis sans tête à fente supérieure
 B. Vis sans tête à fente inférieure
 C. Vis

REMARQUE : S'assurer que les panneaux de porte n'entrent pas en contact direct avec les armoires ou portes d'armoire environnantes. Ce contact pourrait empêcher la ou les portes du réfrigérateur et/ou du congélateur de se fermer correctement.

- La vis sans tête à fente supérieure (A de l'illustration) ajuste l'espacement entre la porte et le panneau de porte. À l'aide d'un tournevis à lame plate, effectuer les ajustements. Tourner la vis en sens horaire pour augmenter l'espace entre la porte et le panneau de porte et en sens antihoraire pour diminuer l'espace.

REMARQUE : Lorsque les portes sont fermées, il doit y avoir un minimum de 1 mm d'espace entre la face arrière des panneaux de porte et la face avant de l'encadrement. Utiliser la vis sans tête à fente supérieure pour ajouter plus d'espace si nécessaire.

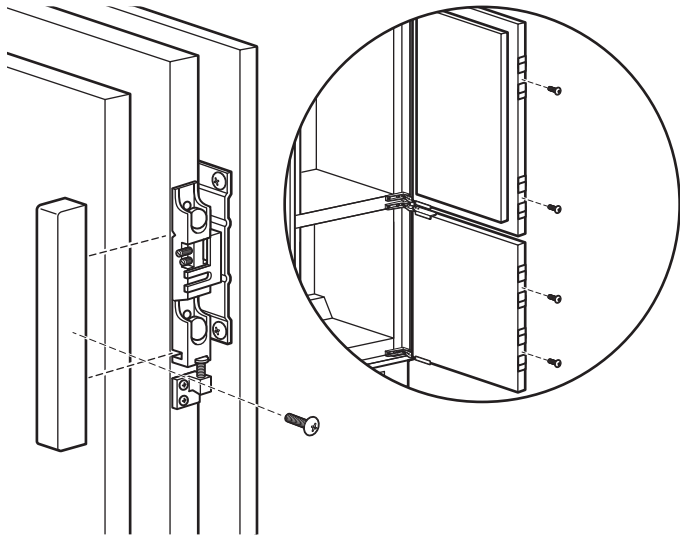
- La vis sans tête à fente inférieure (B de l'illustration) ajuste l'alignement horizontal (gauche à droite) du panneau de porte. À l'aide d'un tournevis à lame plate, tourner la vis en sens horaire et la desserrer. Faire glisser le panneau vers la gauche ou vers la droite comme on le souhaite, puis serrer la vis en la tournant dans le sens antihoraire.

REMARQUE : Ne pas faire glisser le panneau de plus de 2,5 mm dans l'un ou l'autre direction. Si le panneau est déplacé trop loin, le support de panneau peut ne pas être bien fixé au panneau de porte.

- La vis (C de l'illustration) au bas du support de panneau ajuste l'alignement vertical (de haut en bas) du panneau de porte. À l'aide d'un tournevis à lame plate, effectuer les ajustements. Tourner la vis dans le sens horaire pour élever le panneau de porte et dans le sens antihoraire pour abaisser le panneau de porte.

REMARQUE : Pour élever ou abaisser le panneau de porte, desserrer d'abord les vis sans tête à fente. Après avoir effectué l'ajustement vertical comme l'on désire, s'assurer de resserrer les vis sans tête à fente.

9. Fixer chaque support de panneau en place, puis installer les cache-support de panneau et les cache-charnière.



- Utiliser un tournevis Phillips et une vis de 9,5 mm pour fixer chacun des supports de panneau (quatre sur chaque porte) en place.
- Enclencher un cache-support de panneau sur chaque support de panneau qui est sur le côté de la porte opposé des charnières, puis enclencher un cache-charnière sur chaque charnière.

10. Installer les deux cache-vis supérieurs et les quatre cache-charnière intérieures. Chacun s'enclenche en place.

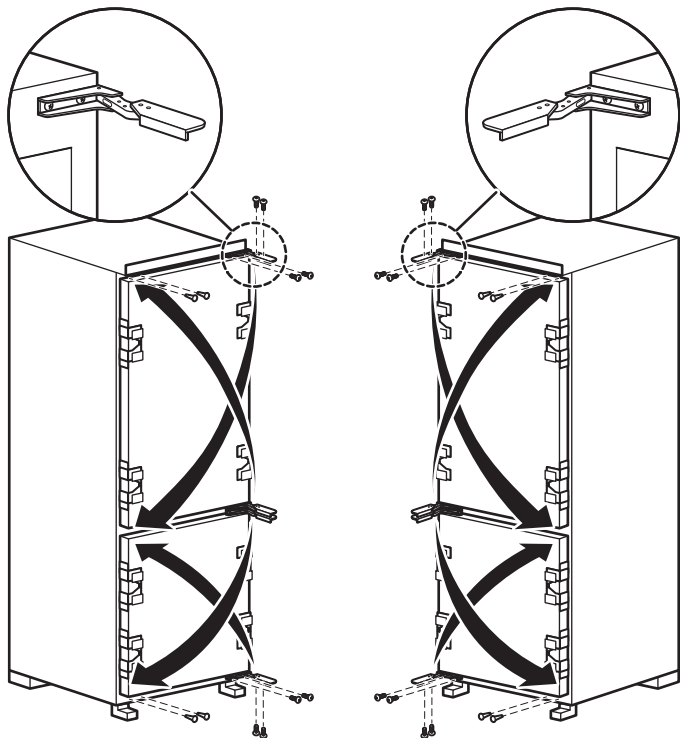
2. S'ils sont présents, retirer les bouchons d'obturation au côté opposé de la porte du réfrigérateur.
3. Installer la charnière supérieure sur le côté opposé (au bas) de la porte du réfrigérateur au moyen des quatre vis. Répéter l'opération pour la charnière inférieure.
4. Insérer les bouchons d'obturation où les vis de la charnière se trouvaient avant l'inversion de la porte.
5. Répéter l'opération pour inverser la porte du congélateur.

Achever l'installation

1. Retirer toutes les boîtes, tous les paquets de pièces et tous les matériaux d'emballage de l'intérieur du réfrigérateur. Voir la section "Nettoyage" dans le Guide d'utilisation et d'entretien pour les instructions.
2. Installer les clayettes/tablettes et bacs dans les compartiments de réfrigération et de congélation.
3. Les commandes sont pré-réglées à l'usine au réglage moyen. S'assurer que le compresseur fonctionne bien et que tous les témoins sont en bon état de marche.

Pour l'utilisation la plus efficace de votre nouveau réfrigérateur encastré, lire le Guide d'utilisation et d'entretien. Conserver les Instructions d'installation et le Guide d'utilisation et d'entretien à proximité du réfrigérateur encastré pour pouvoir les consulter facilement.

Inversion du sens d'ouverture de la porte (facultatif)



1. À l'aide d'un tournevis Phillips, retirer les quatre vis de la charnière supérieure de la porte du réfrigérateur. Retirer également les quatre vis de la charnière inférieure de la porte du réfrigérateur.

NOTES

