
BOTTOM-MOUNT BUILT-IN REFRIGERATOR

Use & Care Guide

For questions about features, operation/performance, parts, accessories or service, call: **1-800-422-1230**

or visit our website at **www.kitchenaid.com**

In Canada, call: **1-800-807-6777** or visit our website at **www.KitchenAid.ca**

RÉFRIGÉRATEUR ENCASTRÉ AVEC CONGÉLATEUR EN DESSOUS

Guide d'utilisation et d'entretien

Au Canada, pour assistance, installation ou service composez le **1-800-807-6777** ou visitez notre site web à **www.KitchenAid.ca**

Table of Contents/Table des matières2

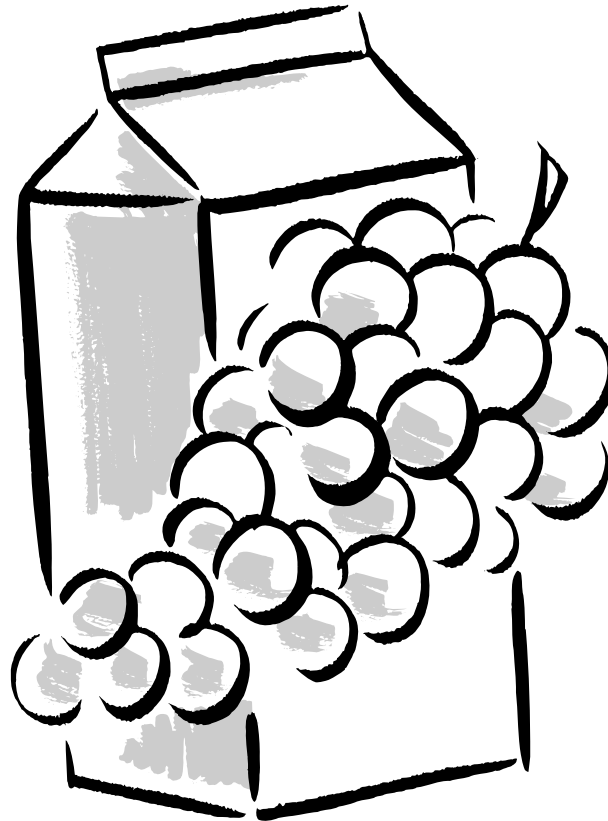


TABLE OF CONTENTS

BEFORE USE	4	TROUBLESHOOTING	8
REFRIGERATOR USE	5	Refrigerator Operation.....	8
Using the Controls	5	Temperature and Moisture.....	9
REFRIGERATOR CARE	7	ASSISTANCE OR SERVICE	9
Cleaning.....	7	In the U.S.A.	9
Lights.....	7	In Canada	9
Power Interruptions.....	8	WARRANTY	10
Vacation Care.....	8		

TABLE DES MATIÈRES

SÉCURITÉ DU RÉFRIGÉRATEUR	11	DÉPANNAGE	17
AVANT UTILISATION	12	Fonctionnement du réfrigérateur	17
UTILISATION DU RÉFRIGÉRATEUR	13	Température et humidité	17
Utilisation des commandes.....	13	ASSISTANCE OU SERVICE	18
ENTRETIEN DU RÉFRIGÉRATEUR	16	Aux É.-U.	18
Nettoyage	16	Au Canada.....	18
Lampes.....	16	GARANTIE	19
Pannes de courant	16		
Entretien avant les vacances	16		

REFRIGERATOR SAFETY

Your safety and the safety of others are very important.

We have provided many important safety messages in this manual and on your appliance. Always read and obey all safety messages.



This is the safety alert symbol.

This symbol alerts you to potential hazards that can kill or hurt you and others.

All safety messages will follow the safety alert symbol and either the word "DANGER" or "WARNING."

These words mean:

⚠ DANGER

You can be killed or seriously injured if you don't **immediately** follow instructions.

⚠ WARNING

You can be killed or seriously injured if you don't follow instructions.

All safety messages will tell you what the potential hazard is, tell you how to reduce the chance of injury, and tell you what can happen if the instructions are not followed.

IMPORTANT SAFETY INSTRUCTIONS

WARNING: To reduce the risk of fire, electric shock, or injury when using your refrigerator, follow these basic precautions:

- Plug into a grounded 3 prong outlet.
- Do not remove ground prong.
- Do not use an adapter.
- Do not use an extension cord.
- Disconnect power before servicing.
- Replace all parts and panels before operating.
- Remove doors from your old refrigerator.
- Use nonflammable cleaner.
- Keep flammable materials and vapors, such as gasoline, away from refrigerator.
- Use two or more people to move and install refrigerator.
- It must be possible to disconnect the appliance from the power supply by unplugging it if plug is accessible, or by means of an accessible multi-pole switch installed upstream of the socket in conformity with national safety standards.
- Do not damage the refrigerant circuit.
- To avoid hazard due to instability of the appliance, it must be fixed in accordance with the instructions.
- Keep ventilation openings, in the appliance enclosure or in the built-in structure, clear of obstruction.
- This appliance is not intended for use by persons (including children) with reduced physical, sensory or mental capabilities, or lack of experience and knowledge, unless they have been given supervision or instruction concerning use of the appliance by a person responsible for their safety. Children should be supervised to ensure that they do not play with the appliance.
- To avoid the risk of children becoming trapped and suffocating, do not allow them to play or hide inside the refrigerator.
- If the power supply cord is damaged, it must be replaced by the manufacturer or its service agent or a similarly qualified person in order to avoid a hazard.
- Do not use mechanical devices or other means to accelerate the defrosting process, other than those recommended by the manufacturer.
- Do not use electrical appliances inside the food storage compartments of the appliance, unless they are of the type recommended by the manufacturer.

SAVE THESE INSTRUCTIONS

State of California Proposition 65 Warnings:

WARNING: This product contains one or more chemicals known to the State of California to cause cancer.

WARNING: This product contains one or more chemicals known to the State of California to cause birth defects or other reproductive harm.

Proper Disposal of Your Old Refrigerator

! WARNING

Suffocation Hazard

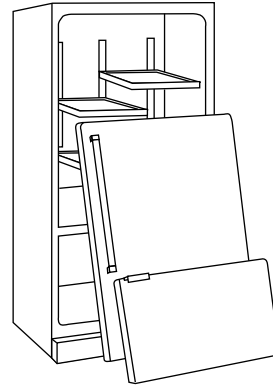
Remove doors from your old refrigerator.

Failure to do so can result in death or brain damage.

IMPORTANT: Child entrapment and suffocation are not problems of the past. Junked or abandoned refrigerators are still dangerous – even if they will sit for “just a few days.” If you are getting rid of your old refrigerator, please follow these instructions to help prevent accidents.

Before You Throw Away Your Old Refrigerator or Freezer:

- Take off the doors.
- Leave the shelves in place so that children may not easily climb inside.



Important information to know about disposal of refrigerants:

Dispose of refrigerator in accordance with Federal and Local regulations. Refrigerants must be evacuated by a licensed, EPA certified refrigerant technician in accordance with established procedures.

BEFORE USE

Remove the Packaging

- Remove tape and glue residue from surfaces before turning on the refrigerator. Rub a small amount of liquid dish soap over the adhesive with your fingers. Wipe with warm water and dry.
- Do not use sharp instruments, rubbing alcohol, flammable fluids, or abrasive cleaners to remove tape or glue. These products can damage the surface of your refrigerator. For more information, see “Refrigerator Safety.”
- Dispose of/recycle all packaging materials.

Clean Before Using

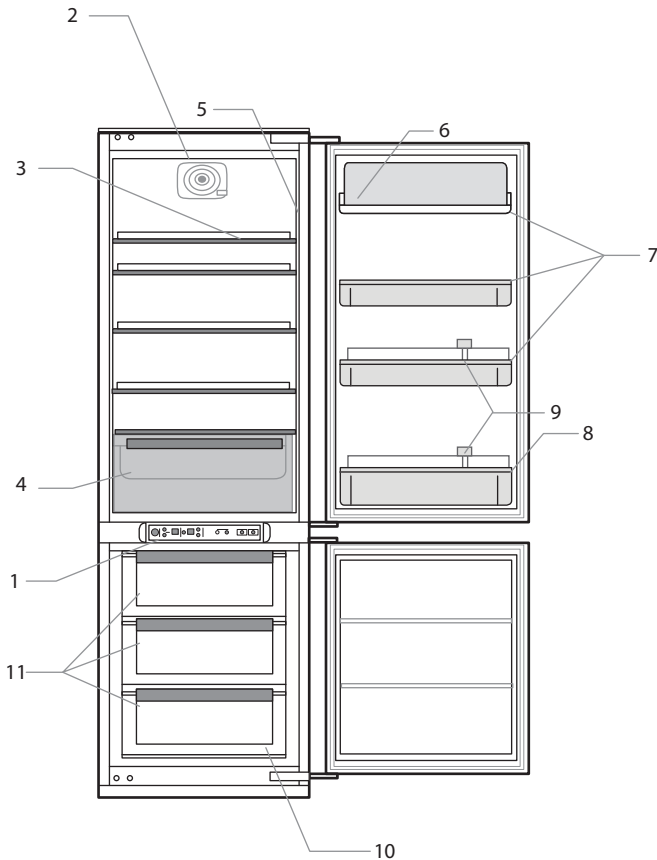
After you remove all of the packaging materials, clean the inside of your refrigerator before using it. See the cleaning instructions in “Refrigerator Care.”

Important information to know about glass shelves and covers:

Do not clean glass shelves or covers with warm water when they are cold. Shelves and covers may break if exposed to sudden temperature changes or impact, such as bumping. Tempered glass is designed to shatter into many small, pebble-size pieces. This is normal. Glass shelves and covers are heavy. Use both hands when removing them to avoid dropping.

REFRIGERATOR USE

Using the Controls

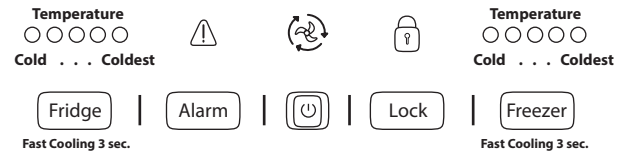


FRIDGE COMPARTMENT

- | | |
|-------------------------------|------------------------------------|
| 1. Control Panel | 6. Eggs Tray |
| 2. Fan | 7. Door Bins/
Dairy Compartment |
| 3. Glass Shelves | 8. Bottle Door Bin |
| 4. Fruit and Vegetable Drawer | 9. Bottle Separators |
| 5. Rating Plate | |

FREEZER COMPARTMENT

- | | |
|-------------------|---------------------|
| 10. Ice Cube Tray | 11. Freezer Drawers |
|-------------------|---------------------|



The control panel is located between the refrigerator and freezer compartments. You must open the refrigerator door to access it.

Cooling On/Off

Your refrigerator and freezer will not cool when cooling is turned off, and the interior lights will be deactivated. However, the product will remain connected to the power supply.

- To turn cooling off, press and hold the COOLING ON/OFF button for 3 seconds.



When cooling is off, the control panel lights will turn off.

- To turn cooling back on, press COOLING ON/OFF again.

Fan Operation

The fan helps in distributing cool air evenly throughout the refrigerator and freezer compartments, improving food preservation and humidity reduction. To maximize the effectiveness of the fan, do not block the air vents with food or other items.

When the fan is active, it will automatically turn on and off as needed. The fan icon on the control panel indicates that the fan is active.



- To manually turn the fan off, press and hold the ALARM and LOCK buttons on the control panel at the same time for 3 seconds. The fan icon will turn off.

When the fan is off, energy consumption is reduced. However, food preservation may be negatively affected, especially if the ambient temperature in the room exceeds 80°F (27°C). Also, excess humidity may result in condensation forming inside the product.

- To turn the fan back on, press ALARM and LOCK at the same time for 3 seconds again. The fan icon will turn on when the fan has been reactivated.

NOTE: The fan will automatically reset to Active mode after a power outage or if cooling is turned off and then back on.

Defrost Function

Your model has an automatic defrost function. It is not necessary to perform any manual defrosting procedures.

NOTE: To ensure consistent defrosting and avoid buildup of moisture, regularly clean the defrost drain in the refrigerator compartment. See "Cleaning."

Temperature Controls

For your convenience, your refrigerator and freezer controls are preset at the factory. When you first install your refrigerator, make sure that the controls are still set to the “mid-settings.”

IMPORTANT:

- Wait 24 hours before you put food into the refrigerator. If you add food before the refrigerator has cooled completely, your food may spoil.

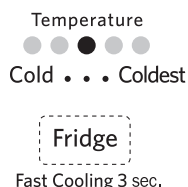
NOTE: Adjusting the set points to a colder than recommended setting will not cool the compartments any faster.

- If the temperature is too warm or too cold in the refrigerator or freezer, first check the air vents to be sure they are not blocked before adjusting the controls.
- The preset settings should be correct for normal household usage. The controls are set correctly when milk or juice is as cold as you like and when ice cream is firm.
- Wait at least 24 hours between adjustments. Recheck the temperatures before other adjustments are made.

Adjusting the Controls:

The FRIDGE button adjusts the refrigerator compartment temperature. There are five settings, from left (less cold) to right (coldest). The recommended “mid-setting” is the third (middle) setting.

- Each press of the FRIDGE button changes the control by one setting from left to right. (After reaching the fifth setting, the sequence reverts back to the first setting.)



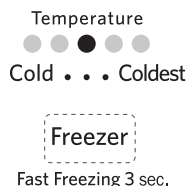
Fast Cool

The Fast Cool feature assists with full grocery loads in the refrigerator or temporarily warm room temperatures.

- To turn on the Fast Cool feature, press and hold the FRIDGE button for 3 seconds. When the feature is activated, the Fridge temperature setting indicators will light up from left to right.
- The Fast Cool feature will remain on for 12 hours unless manually turned off. To manually turn it off, press and hold the FRIDGE button for 3 seconds again. When the feature has been turned off, the Fridge temperature setting display will return to the previous setting.

The FREEZER button adjusts the freezer compartment temperature. There are five settings, from left (less cold) to right (coldest). The recommended “mid-setting” is the third (middle) setting.

- Each press of the FREEZER button changes the control by one setting, from left to right. (After reaching the fifth setting, the sequence reverts back to the first setting.)



Fast Freeze

The Fast Freeze feature assists with full grocery loads in the freezer, or temporarily warm room temperatures.

- To turn on the Fast Freeze feature, press and hold the FREEZER button for 3 seconds. When the feature is activated, the Freezer temperature setting indicators will light up from left to right.
- The Fast Freeze feature will remain on for 48 hours unless manually turned off. To manually turn it off, press and hold the FREEZER button for 3 seconds again. When the feature has been turned off, the Freezer temperature setting display will return to the previous setting.

If you need to adjust temperatures in the refrigerator or freezer, use the settings listed in the chart below as a guide.

CONDITION:	TEMPERATURE ADJUSTMENT:
REFRIGERATOR too cold	FRIDGE 1 setting warmer (left) [Press FRIDGE 4 times]
REFRIGERATOR too warm	FRIDGE 1 setting colder (right) [Press FRIDGE 1 time]
FREEZER too cold	FREEZER 1 setting warmer (left) [Press FREEZER 4 times]
FREEZER too warm	FREEZER 1 setting colder (right) [Press FREEZER 1 time]

Control Lock

The controls can be locked to avoid unintentional setting changes.

- To lock the controls, press and hold the LOCK button for 3 seconds. The lock icon on the control panel indicates that the controls are locked.



If you press any button on the control panel when the controls are locked, the control panel will beep and the lock icon will flash. You must first unlock the controls in order to change any settings.

- To unlock the controls, press and hold the LOCK button for 3 seconds again. The lock icon will turn off.

Alarm Functions

The red alarm icon on the control panel can indicate a variety of problems with the product.



Door Ajar Alarm

Alarm Behavior: The alarm icon flashes and an audible alarm sounds.

This indicates that one of the doors has been left open for an extended period of time.

- Close the door to reset the alarm.

Power Outage Alarm

Alarm Behavior: The alarm icon flashes and an audible alarm sounds with the doors closed.

This indicates that a power outage has occurred.

- Press the ALARM button on the control panel to reset the alarm. If the audible alarm stops but the alarm icon stays on (constant instead of flashing), see “Freezer Temperature Alarm” in this section.

Freezer Temperature Alarm

Alarm Behavior: The alarm icon turns on constantly (not flashing), an audible alarm sounds, and the Freezer temperature setting display flashes (5 leds).

This indicates that the temperature inside the freezer compartment is unusually warm. This can occur when the product is used for the first time, when large amounts of warm food are placed inside the freezer, after cleaning the interior of the product, if the freezer door has been left open, or when there has been a power outage.

- Press the ALARM button on the control panel to reset the alarm. The audible alarm will stop, but the alarm icon will remain on and the Freezer temperature setting display will stay on (constant instead of flashing) until the freezer compartment has cooled to an acceptable temperature.

Technical Malfunction Alarm

Alarm Behavior: The alarm icon turns on constantly (not flashing), an audible alarm sounds, and the Freezer temperature setting display flashes (3 leds).

This indicates a fault in a technical component.

- Press the ALARM button on the control panel to silence the audible alarm. Call an authorized service provider for assistance.

REFRIGERATOR CARE

Cleaning

⚠ WARNING



Explosion Hazard

Use nonflammable cleaner.

Failure to do so can result in death, explosion, or fire.

Both the refrigerator and freezer sections defrost automatically. However, clean both sections about once a month to avoid buildup of odors. Wipe up spills immediately.

To Clean Your Refrigerator:

NOTE: Do not use abrasive or harsh cleaners such as window sprays, scouring cleansers, flammable fluids, cleaning waxes, concentrated detergents, bleaches or cleansers containing petroleum products on plastic parts, interior and door liners or gaskets. Do not use paper towels, scouring pads, or other harsh cleaning tools.

1. Unplug refrigerator or disconnect power.
2. Hand wash, rinse, and dry removable parts and interior surfaces thoroughly. Use a clean sponge or soft cloth and a mild detergent in warm water.
NOTE: Do not use a dishwasher to clean any removable parts.
3. Wash painted metal exteriors with a clean sponge or soft cloth and a mild detergent in warm water. Dry thoroughly with a soft cloth.
4. To ensure proper defrosting, regularly clean the defrost drain that is located at the bottom of the refrigerator compartment along the back wall.
5. Plug in refrigerator or reconnect power.

Lights

The interior lights are LEDs that cannot be changed.

- If the interior lights do not illuminate when either door is opened, call for assistance or service. See either the front cover or the Warranty for contact information.

Power Interruptions

If the power will be out for 24 hours or less, keep the door or doors closed (depending on your model) to help food stay cold and frozen.

If the power will be out for more than 24 hours, do one of the following:

- Remove all frozen food and store it in a frozen food locker.
- Place 2 lbs (907 g) of dry ice in the freezer for every cubic foot (28 L) of freezer space. This will keep the food frozen for 2 to 4 days.
- If neither a food locker nor dry ice is available, consume or can perishable food at once.

REMEMBER: A full freezer stays cold longer than a partially filled one. A freezer full of meat stays cold longer than a freezer full of baked goods. If you see that food contains ice crystals, it may be refrozen, although the quality and flavor may be affected. If the condition of the food is poor, dispose of it.

Vacation Care

If You Choose to Leave the Refrigerator On While You Are Away:

1. Use up any perishables and freeze other items.

If You Choose to Turn the Refrigerator Off Before You Leave:


1. Remove all food from the refrigerator.
 2. Turn cooling off. See “Using the Controls.”
 3. Clean refrigerator, wipe it, and dry well.
 4. Tape rubber or wood blocks to the tops of all doors to prop them open far enough for air to get in. This stops odor and mold from building up.
-

TROUBLESHOOTING

Refrigerator Operation

The refrigerator will not operate

⚠ WARNING



Electrical Shock Hazard

Plug into a grounded 3 prong outlet.

Do not remove ground prong.

Do not use an adapter.

Do not use an extension cord.

Failure to follow these instructions can result in death, fire, or electrical shock.

- **Power cord unplugged?** Plug into a grounded 3 prong outlet.
- **Is outlet working?** Plug in a lamp to see if the outlet is working.
- **Household fuse blown or circuit breaker tripped?** Replace the fuse or reset the circuit breaker. If the problem continues, call an electrician.
- **Are controls on?** Make sure the refrigerator controls are on. See “Using the Controls.”
- **Is refrigerator defrosting?** Your refrigerator will regularly run an automatic defrost cycle. Recheck in 30 minutes to see if it is operating.
- **New installation?** Allow 24 hours following installation for the refrigerator to cool completely.

NOTE: Adjusting the temperature controls to coldest setting will not cool either compartment more quickly.

The motor seems to run too much

Your new refrigerator may run longer than your old one due to its high-efficiency compressor and fans. The unit may run even longer if the room is warm, a large food load is added, doors are opened often, or if the doors have been left open.

The refrigerator is noisy

Refrigerator noise has been reduced over the years. Due to this reduction, you may hear intermittent noises from your new refrigerator that you did not notice from your old model. Below are listed some normal sounds with an explanation.

- **Pulsating** - fans/compressor adjusting to optimize performance
 - **Rattling** - flow of refrigerant, water line, or from items placed on top of the refrigerator
 - **Sizzling/Gurgling** - water dripping on the heater during defrost cycle
 - **Popping** - contraction/expansion of inside walls, especially during initial cool-down
 - **Water running** - may be heard when water melts during the defrost cycle and runs into the drain pan
-

The doors will not close completely

- **Door blocked open?** Move food packages away from door.
 - **Bin or shelf in the way?** Push bin or shelf back in the correct position.
-

The doors are difficult to open

WARNING



Explosion Hazard

Use nonflammable cleaner.

Failure to do so can result in death, explosion, or fire.

- **Are the gaskets dirty or sticky?** Clean gaskets with mild soap and warm water.
-

Temperature and Moisture

Temperature is too warm

- **New installation?** Allow 24 hours following installation for the refrigerator to cool completely.
-

- **Door(s) opened often or left open?** Allows warm air to enter refrigerator. Minimize door openings and keep doors fully closed.
 - **Large load of food added?** Allow several hours for refrigerator to return to normal temperature.
 - **Controls set correctly for the surrounding conditions?** Adjust the controls a setting colder. Check temperature in 24 hours. See “Using the Controls.”
 - **Air vents blocked?** Remove any item from in front of the air vents.
-

There is interior moisture buildup

NOTE: Some moisture buildup is normal.

- **Humid room?** Contributes to moisture buildup.
 - **Door(s) opened often or left open?** Allows humid air to enter refrigerator. Minimize door openings and keep doors fully closed.
-

ASSISTANCE OR SERVICE

If You Need Service

Please refer to the warranty page in this manual.

If You Need Replacement Parts

If you need to order replacement parts, we recommend that you use only factory specified parts. Factory specified parts will fit right and work right because they are made with the same precision used to build every new KITCHENAID® appliance.

To locate factory specified parts in your area, call us or your nearest designated service center.

In the U.S.A.

Call the KitchenAid Customer eXperience Center toll-free at **1-800-422-1230**, or visit our website at www.kitchenaid.com.

Our consultants provide assistance with:

- Features and specifications on our full line of appliances.
- Referrals to local KitchenAid brand dealers.
- Installation information.
- Use and maintenance procedures.
- Accessory and repair parts sales.
- Specialized customer assistance (Spanish speaking, hearing impaired, limited vision, etc.).

For Further Assistance

If you need further assistance, you can write to KitchenAid with any questions or concerns at:

KitchenAid Brand Home Appliances
Customer eXperience Center
553 Benson Road
Benton Harbor, MI 49022-2692

Please include a daytime phone number in your correspondence.

In Canada

Call the KitchenAid Canada Customer eXperience Centre toll-free at **1-800-807-6777**, or visit our website at www.kitchenaid.ca.

Our consultants provide assistance with:

- Scheduling of service. KitchenAid® appliances designated service technicians are trained to fulfill the product warranty and provide after-warranty service anywhere in Canada.
- Features and specifications on our full line of appliances.
- Referrals to local KitchenAid brand dealers.
- Use and maintenance procedures.
- Accessory and repair parts sales.

For Further Assistance

If you need further assistance, you can write to KitchenAid Canada with any questions or concerns at:

KitchenAid Brand Home Appliances
Customer eXperience Centre
200 – 6750 Century Ave.
Mississauga, Ontario L5N 0B7

Please include a daytime phone number in your correspondence.

KITCHENAID® REFRIGERATION LIMITED WARRANTY

ATTACH YOUR RECEIPT HERE. PROOF OF PURCHASE IS REQUIRED TO OBTAIN WARRANTY SERVICE.

Please have the following information available when you call the Customer eXperience Center:

- Name, address and telephone number
- Model number and serial number
- A clear, detailed description of the problem
- Proof of purchase including dealer or retailer name and address

IF YOU NEED SERVICE:

1. Before contacting us to arrange service, please determine whether your product requires repair. Some questions can be addressed without service. Please take a few minutes to review the Troubleshooting or Problem Solver section of the Use and Care Guide, scan the QR code on the right to access additional resources, or visit <http://kitchenaid.custhelp.com>.
2. All warranty service is provided exclusively by our authorized KitchenAid Service Providers. In the U.S. and Canada, direct all requests for warranty service to:

KitchenAid Customer eXperience Center

In the U.S.A., call 1-800-422-1230. In Canada, call 1-800-807-6777.

<http://kitchenaid.custhelp.com>



If outside the 50 United States or Canada, contact your authorized KitchenAid dealer to determine whether another warranty applies.

FIVE YEAR LIMITED WARRANTY

WHAT IS COVERED

FIRST YEAR LIMITED WARRANTY (PARTS & LABOR)

For one year from the date of purchase, when this major appliance is installed, operated and maintained according to instructions attached or furnished with the product, KitchenAid brand of Whirlpool Corporation or Whirlpool Canada LP (hereafter "KitchenAid") will pay for factory specified replacement parts and repair labor to correct defects in materials and workmanship that existed when this major appliance was purchased, or at its sole discretion replace the product. In the event of product replacement, your product will be warranted for the remaining term of the original unit's warranty period.

SECOND THROUGH FIFTH YEAR LIMITED WARRANTY (CERTAIN COMPONENTS PARTS ONLY - LABOR NOT INCLUDED)

In the second through fifth years from the date of original purchase, when this major appliance is installed, operated and maintained according to instructions attached to or furnished with the product, KitchenAid will pay for factory specified parts for the following components to correct non-cosmetic defects in materials or workmanship in these parts that prevent function of this major appliance and that existed when this major appliance was purchased. This is a limited 5-year warranty on the below named parts only and does not include repair labor.

- Refrigerator/freezer cavity liner if the part cracks due to defective materials or workmanship.
- Sealed Refrigeration system (includes compressor, evaporator, condenser, dryer and connecting tubing).

YOUR SOLE AND EXCLUSIVE REMEDY UNDER THIS LIMITED WARRANTY SHALL BE PRODUCT REPAIR AS PROVIDED HEREIN. Service must be provided by a KitchenAid designated service company. This limited warranty is valid only in the United States or Canada and applies only when the major appliance is used in the country in which it was purchased. This limited warranty is effective from the date of original consumer purchase. Proof of original purchase date is required to obtain service under this limited warranty.

WHAT IS NOT COVERED

1. Commercial, non-residential or multiple-family use, or use inconsistent with published user, operator or installation instructions.
2. In-home Instruction on how to use your product
3. Service to correct improper product maintenance or installation, installation not in accordance with electrical or plumbing codes or correction of household electrical or plumbing (i.e. house wiring, fuses or water inlet hoses).
4. Consumable parts (i.e. light bulbs, batteries, air or water filters, preservation solutions, etc.).
5. Defects or damage caused by the use of non-genuine KitchenAid parts or accessories.
6. Damage from accident, misuse, abuse, fire, floods, acts of God or use with products not approved by KitchenAid.
7. Repairs to parts or systems to correct product damage or defects caused by unauthorized service, alteration or modification of the appliance.
8. Cosmetic damage including scratches, dents, chips, and other damage to appliance finishes unless such damage results from defects in materials and workmanship and is reported to KitchenAid within 30 days.
9. Discoloration, rust or oxidation of surfaces resulting from caustic or corrosive environments including but not limited to high salt concentrations, high moisture or humidity or exposure to chemicals.
10. Food or medicine loss due to product failure.
11. Pick-up or delivery. This product is intended for in-home repair.
12. Travel or transportation expenses for service in remote locations where an authorized KitchenAid servicer is not available.
13. Removal or reinstallation of inaccessible appliances or built-in fixtures (i.e. trim, decorative panels, flooring, cabinetry, islands, countertops, drywall, etc.) that interfere with servicing, removal or replacement of the product.
14. Service or parts for appliances with original model/serial numbers removed, altered or not easily determined.

The cost of repair or replacement under these excluded circumstances shall be borne by the customer.

DISCLAIMER OF IMPLIED WARRANTIES

IMPLIED WARRANTIES, INCLUDING ANY IMPLIED WARRANTY OF MERCHANTABILITY OR IMPLIED WARRANTY OF FITNESS FOR A PARTICULAR PURPOSE, ARE LIMITED TO ONE YEAR OR THE SHORTEST PERIOD ALLOWED BY LAW. Some states and provinces do not allow limitations on the duration of implied warranties of merchantability or fitness, so this limitation may not apply to you. This warranty gives you specific legal rights, and you also may have other rights that vary from state to state or province to province.

DISCLAIMER OF REPRESENTATIONS OUTSIDE OF WARRANTY

KitchenAid makes no representations about the quality, durability, or need for service or repair of this major appliance other than the representations contained in this warranty. If you want a longer or more comprehensive warranty than the limited warranty that comes with this major appliance, you should ask KitchenAid or your retailer about buying an extended warranty.

LIMITATION OF REMEDIES; EXCLUSION OF INCIDENTAL AND CONSEQUENTIAL DAMAGES

YOUR SOLE AND EXCLUSIVE REMEDY UNDER THIS LIMITED WARRANTY SHALL BE PRODUCT REPAIR AS PROVIDED HEREIN. KITCHENAID SHALL NOT BE LIABLE FOR INCIDENTAL OR CONSEQUENTIAL DAMAGES. Some states and provinces do not allow the exclusion or limitation of incidental or consequential damages, so these limitations and exclusions may not apply to you. This warranty gives you specific legal rights, and you also may have other rights that vary from state to state or province to province.

SÉCURITÉ DU RÉFRIGÉRATEUR

Votre sécurité et celle des autres est très importante.

Nous donnons de nombreux messages de sécurité importants dans ce manuel et sur votre appareil ménager. Assurez-vous de toujours lire tous les messages de sécurité et de vous y conformer.



Voici le symbole d'alerte de sécurité.

Ce symbole d'alerte de sécurité vous signale les dangers potentiels de décès et de blessures graves à vous et à d'autres.

Tous les messages de sécurité suivront le symbole d'alerte de sécurité et le mot "DANGER" ou "AVERTISSEMENT". Ces mots signifient :

⚠ DANGER

Risque possible de décès ou de blessure grave si vous ne suivez pas immédiatement les instructions.

⚠ AVERTISSEMENT

Risque possible de décès ou de blessure grave si vous ne suivez pas les instructions.

Tous les messages de sécurité vous diront quel est le danger potentiel et vous disent comment réduire le risque de blessure et ce qui peut se produire en cas de non-respect des instructions.

IMPORTANTES INSTRUCTIONS DE SÉCURITÉ

AVERTISSEMENT : Pour réduire les risques d'incendie, de choc électrique ou de blessures lors de l'utilisation du réfrigérateur, prendre quelques précautions fondamentales, y compris les suivantes :

- Brancher l'appareil sur une prise à 3 alvéoles reliée à la terre.
- Ne pas enlever la prise de liaison à la terre.
- Ne pas utiliser d'adaptateur.
- Ne pas utiliser de rallonge.
- Déconnecter la source de courant électrique avant l'entretien.
- Replacer pièces et panneaux avant de faire la mise en marche.
- Enlever les portes de votre ancien réfrigérateur.
- Utiliser un produit de nettoyage ininflammable.
- Garder les matières et les vapeurs inflammables, telles que l'essence, loin du réfrigérateur.
- Utiliser au moins deux personnes pour déplacer et installer le réfrigérateur.
- Il doit être possible de couper l'alimentation électrique de l'appareil en le débranchant de la prise ou au moyen d'un interrupteur bipolaire accessible monté en amont de la prise secteur en conformité avec les normes de sécurité nationales.
- Ne pas endommager le circuit réfrigérant.
- Pour éviter un danger provoqué par l'instabilité de l'appareil, ce dernier doit être fixé selon les instructions.
- Garder les événements à l'intérieur de l'enceinte de l'appareil ou de la structure encastrée exempte d'obstacles.
- Cet appareil ne convient pas à une utilisation par des personnes (y compris des enfants) à capacités physiques, sensorielles ou mentales réduites, ou possédant un manque d'expérience et de connaissances, à moins qu'elles ne soient placées sous supervision ou qu'elles aient reçu des instructions concernant l'utilisation de l'appareil par une personne responsable de leur sécurité. Les enfants doivent être placés sous surveillance afin de s'assurer qu'ils ne jouent pas avec l'appareil.
- Pour éviter que les enfants ne soient coincés et ne suffoquent à l'intérieur du réfrigérateur, ne pas les laisser jouer ou se cacher à l'intérieur de l'appareil.
- Si le cordon d'alimentation est endommagé, il doit être remplacé par le fabricant, son agent de service ou toute autre personne qualifiée afin d'éviter tout danger.
- Ne pas utiliser des appareils mécaniques ou autres moyens pour accélérer le processus de dégivrage, autre que ceux recommandés par le fabricant.
- Ne pas utiliser des appareils électriques à l'intérieur des compartiments d'aliments de l'appareil, à moins qu'ils soient de type recommandé par le fabricant.

CONSERVER CES INSTRUCTIONS

Avertissements de la proposition 65 de l'État de Californie :

AVERTISSEMENT : Ce produit contient au moins un produit chimique connu par l'État de Californie pour être à l'origine de cancers.

AVERTISSEMENT : Ce produit contient au moins un produit chimique connu par l'État de Californie pour être à l'origine de malformations et autres déficiences de naissance.

Mise au rebut appropriée
de votre vieux réfrigérateur

⚠ AVERTISSEMENT

Risque de suffoquer

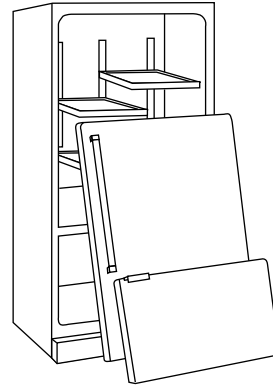
Enlever les portes de votre vieux réfrigérateur.

Le non-respect de cette instruction peut causer un décès ou des lésions cérébrales.

IMPORTANT : L'emprisonnement et l'étouffement des enfants ne sont pas un problème du passé. Les réfrigérateurs jetés ou abandonnés sont encore dangereux, même s'ils sont laissés abandonnés pendant "quelques jours seulement". Si vous vous débarrassez de votre vieux réfrigérateur, veuillez suivre les instructions suivantes pour aider à éviter les accidents.

Avant de jeter votre vieux réfrigérateur ou congélateur :

- Enlever les portes.
- Laisser les tablettes en place de sorte que les enfants ne puissent pas y pénétrer facilement.



Renseignements importants à propos de la mise au rebut des fluides réfrigérants :

Mettre le réfrigérateur au rebut conformément à la réglementation fédérale et locale. Les fluides réfrigérants doivent être évacués par un technicien certifié et agréé par l'EPA conformément aux procédures établies.

AVANT UTILISATION

Retrait des matériaux d'emballage

- Enlever tout résidu de ruban adhésif et de colle des surfaces du réfrigérateur avant de le mettre en marche. Frotter une petite quantité de savon liquide à vaisselle sur l'adhésif avec les doigts. Rincer à l'eau tiède et sécher.
- Ne pas utiliser d'instruments coupants, d'alcool à friction, de liquides inflammables ou de nettoyants abrasifs pour enlever le ruban adhésif ou la colle. Ces produits peuvent endommager la surface du réfrigérateur. Pour plus de renseignements, voir "Sécurité du réfrigérateur".
- Éliminer/recycler tous les matériaux d'emballage.

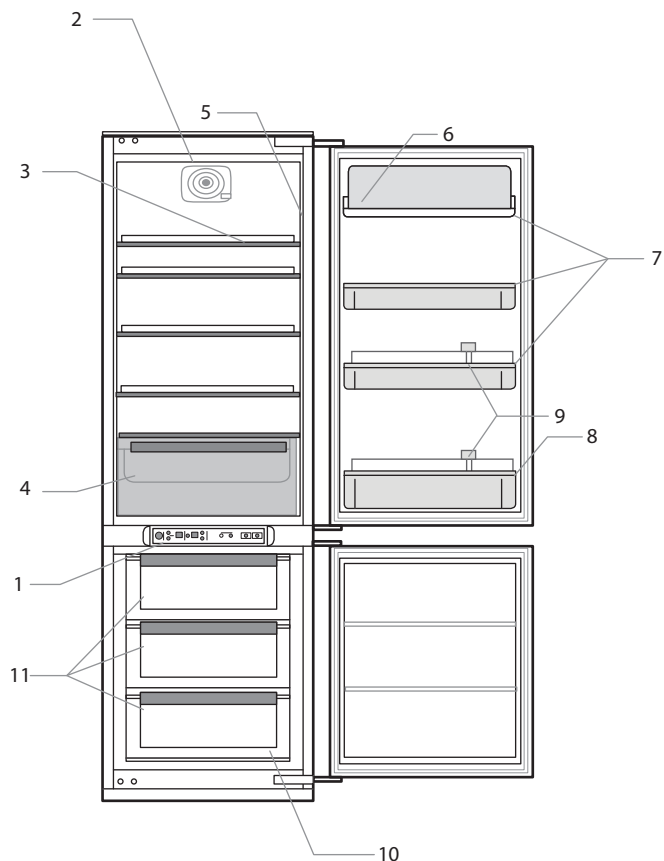
Nettoyage avant utilisation

Après avoir enlevé tous les matériaux d'emballage, nettoyer l'intérieur du réfrigérateur avant de l'utiliser. Voir les instructions de nettoyage dans "Entretien du réfrigérateur".

Importants renseignements à savoir au sujet des tablettes et des couvercles en verre :

Ne pas nettoyer les tablettes ou couvercles en verre avec de l'eau tiède quand ils sont froids. Les tablettes et les couvercles peuvent se briser s'ils sont exposés à des changements soudains de température ou à un impact tel que coup brusque. Le verre trempé est conçu pour éclater en d'innombrables pièces minuscules. Ceci est normal. Les tablettes et les couvercles en verre sont lourds. Les saisir à deux mains lors de leur dépose afin d'éviter de les faire tomber.

UTILISATION DU RÉFRIGÉRATEUR



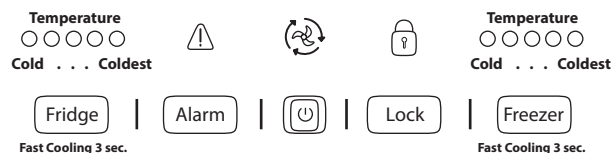
Compartiment de réfrigération

- | | |
|------------------------------|---|
| 1. Tableau de commande | 6. Casier à oeufs |
| 2. Ventilation | 7. Balconnets de porte/
Casier laitier |
| 3. Tablettes en verre | 8. Balconnets à bouteilles |
| 4. Bac à légumes et à fruits | 9. Séparateurs de bouteilles |
| 5. Plaque signalétique | |

COMPARTIMENT DE CONGÉLATION

- | | |
|-------------------|----------------------------|
| 10. Bac à glaçons | 11. Tiroirs du congélateur |
|-------------------|----------------------------|

Utilisation des commandes



Le tableau de commande se trouve entre les compartiments de réfrigération et de congélation. Il faut ouvrir la porte du réfrigérateur pour accéder à la commande.

Cooling On/Off (marche/arrêt du refroidissement)

Ni le réfrigérateur ni le congélateur ne refroidiront lorsque le refroidissement est désactivé, et les lampes intérieures seront désactivées même si l'appareil est connecté à la source d'alimentation électrique.

- Pour désactiver le refroidissement, appuyer sur la touche COOLING ON/OFF (mise en marche/arrêt du refroidissement) pendant 3 secondes.



Lorsque le refroidissement est désactivé, les témoins lumineux du tableau de commande sont éteints.

- Pour activer de nouveau le refroidissement, appuyer de nouveau sur la touche COOLING ON/OFF (mise en marche/arrêt du refroidissement).

Fonctionnement du ventilateur

Le ventilateur assiste à distribuer de l'air froid également dans les compartiments de réfrigération et de congélation, améliorant ainsi la conservation des aliments et la réduction d'humidité. Pour maximiser l'efficacité du ventilateur, ne pas bloquer les événements avec des aliments ou d'autres articles.

Lorsque le ventilateur est activé, il s'allume et s'éteint automatiquement au besoin. L'icône du ventilateur sur le tableau de commande indique que le ventilateur est activé.



- Pour désactiver manuellement le ventilateur, appuyer simultanément sur les touches ALARM (alarme) et LOCK (verrouillage) sur le tableau de commande pendant 3 secondes. L'icône du ventilateur s'éteint.

Lorsque le ventilateur est désactivé, la consommation d'énergie est réduite. Toutefois, la conservation des aliments peut être affectée de façon négative, surtout si la température ambiante de la pièce dépasse 80°F (27°C). De plus, l'humidité en excès peut résulter de la formation de condensation à l'intérieur de l'appareil.

- Pour réactiver le ventilateur, appuyer de nouveau simultanément sur les touches ALARM (alarme) et LOCK (verrouillage) pendant 3 secondes. Une fois le ventilateur réactivé, l'icône du ventilateur s'allume.

REMARQUE : Le ventilateur se réinitialise automatiquement au mode Actif après une panne de courant ou si le refroidissement est désactivé, puis réactivé.

Fonction de dégivrage

Le modèle comporte une fonction de dégivrage automatique. Il n'est pas nécessaire d'effectuer des procédures de dégivrage manuel.

REMARQUE : Pour garantir un dégivrage constant et éviter l'accumulation d'humidité, nettoyer régulièrement le bac de dégivrage dans le compartiment de réfrigération. Voir "Nettoyage".

Commandes de température

Pour votre commodité, les commandes du réfrigérateur et du congélateur sont préréglées à l'usine. Lors de l'installation initiale du réfrigérateur, s'assurer que les commandes sont encore préréglées aux réglages moyens.

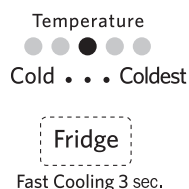
IMPORTANT :

- Attendre 24 heures avant d'ajouter des aliments dans le réfrigérateur. Si on ajoute des aliments avant que le réfrigérateur ne soit complètement refroidi, les aliments risquent de s'abîmer.
REMARQUE : Ajuster les points de réglage à un réglage plus froid que celui qui est recommandé ne refroidira pas les compartiments plus rapidement.
- Si la température est trop tiède ou trop froide dans le réfrigérateur ou le congélateur, vérifier d'abord les événements pour s'assurer qu'ils ne sont pas bloqués, avant de régler les commandes.
- Les préréglages devraient être corrects pour une utilisation domestique normale. Les réglages sont faits correctement lorsque le lait ou le jus sont aussi froids que désiré et lorsque la crème glacée est ferme.
- Attendre au moins 24 heures entre chaque ajustement. Vérifier à nouveau les températures avant de procéder à d'autres ajustements.

Ajustement des commandes :

La touche FRIDGE (réfrigérateur) règle la température du compartiment de réfrigération. Il y a cinq réglages, de gauche (moins froid) à droite (plus froid). Le "réglage de milieu" recommandé est le troisième (milieu) réglage.

- Chaque appui sur la touche FRIDGE (réfrigérateur) change la commande d'un réglage de gauche à droite. (Après le cinquième réglage atteint, la séquence revient au premier réglage.)



Refroidissement rapide

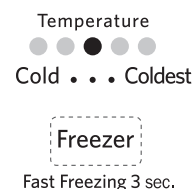
La fonction de refroidissement rapide est utile lorsque le réfrigérateur est pleinement chargé d'aliments ou lorsque la température de la pièce est temporairement plus chaude.

- Pour désactiver la fonction de refroidissement rapide, appuyer sur la touche FRIDGE (réfrigérateur) pendant 3 secondes. Une fois la fonction activée, les témoins de réglage de la température de réfrigération s'allument de gauche à droite.

- La fonction de refroidissement rapide reste activée pendant 12 heures à moins d'être désactivée manuellement. Pour désactiver manuellement la fonction de refroidissement rapide, appuyer de nouveau sur la touche FRIDGE (réfrigérateur) pendant 3 secondes. Une fois la fonction désactivée, l'affichage du réglage de la température de réfrigération revient au réglage précédent.

La touche FREEZER (congélateur) règle la température du compartiment de congélation. Il y a cinq réglages, de gauche (moins froid) à droite (plus froid). Le "réglage de milieu" recommandé est le troisième (milieu) réglage.

- Chaque appui sur la touche FREEZER (congélateur) change la commande d'un réglage de gauche à droite. (Après le cinquième réglage atteint, la séquence revient au premier réglage.)



Congélation rapide

La fonction de congélation rapide est utile lorsque le congélateur est pleinement chargé d'aliments ou lorsque la température de la pièce est temporairement plus chaude.

- Pour désactiver la fonction de congélation rapide, appuyer sur la touche FREEZER (congélateur) pendant 3 secondes. Une fois la fonction activée, les témoins de réglage de la température de congélation s'allument de gauche à droite.
- La fonction de congélation rapide reste activée pendant 48 heures à moins d'être désactivée manuellement. Pour désactiver manuellement la fonction de congélation rapide, appuyer de nouveau sur la touche FREEZER (congélateur) pendant 3 secondes. Une fois la fonction désactivée, l'affichage du réglage de la température de réfrigération revient au réglage précédent.

S'il est nécessaire d'ajuster la température dans le compartiment de réfrigération ou de congélation, utiliser les réglages indiqués dans le tableau ci-dessous comme guide.

CONDITION :	AJUSTEMENT DE LA TEMPÉRATURE :
RÉFRIGÉRATEUR trop froid	FRIDGE (réfrigérateur) – 1 réglage plus chaud (gauche) [appuyer sur FRIDGE 4 fois]
RÉFRIGÉRATEUR trop tiède	FRIDGE (RÉFRIGÉRATEUR) – 1 réglage plus froid (droite) [appuyer sur FRIDGE 1 fois]
CONGÉLATEUR trop froid	FREEZER (congélateur) – 1 réglage plus chaud (gauche) [appuyer sur FREEZER 4 fois]
CONGÉLATEUR trop tiède	FREEZER (CONGÉLATEUR) – 1 réglage plus froid (droite) [appuyer sur FREEZER 1 fois]

Verrouillage des commandes

Les commandes peuvent être verrouillées pour éviter des changements de réglage involontaires.

- Pour verrouiller les commandes, appuyer sur la touche LOCK (verrouillage) pendant 3 secondes. L'icône de verrouillage sur le tableau de commande indique que les commandes sont verrouillées.



Si l'on appuie sur une touche sur le tableau de commande lorsque les commandes sont verrouillées, le tableau de commande retentit un bip et l'icône de verrouillage clignote. Il faut d'abord déverrouiller les commandes afin de changer les réglages.

- Pour déverrouiller les commandes, appuyer de nouveau sur la touche LOCK (verrouillage) pendant 3 secondes. L'icône de verrouillage s'éteint.

Fonctions d'alarme

L'icône d'alarme sur le tableau de commande peut indiquer de divers problèmes avec l'appareil.



Alarme de porte entrouverte

Comportement d'alarme : l'icône d'alarme clignote et une alarme sonore retentit.

Cela indique que l'une des portes a été laissée ouverte pendant une longue période.

- Fermer la porte pour réinitialiser l'alarme.

Alarme de coupure de courant

Comportement d'alarme : l'icône d'alarme clignote et une alarme sonore retentit tandis que les portes sont fermées.

Cela indique qu'une coupure de courant a eu lieu.

- Appuyer sur la touche ALARM (alarme) sur le tableau de commande pour réinitialiser l'alarme. Si l'alarme sonore s'arrête mais que l'icône d'alarme reste allumée (constante, ne clignote pas), voir "Alarme de température du congélateur" dans cette section.

Alarme de température du congélateur

Comportement d'alarme : L'icône Alarme s'allume constamment (ne clignote pas), une alarme sonore retentit et l'affichage de réglage de la température du congélateur clignote (5 DEL).

Cela indique que la température à l'intérieur du compartiment de congélation est inhabituellement élevée. Cela peut se produire lorsque l'appareil est utilisé pour la première fois, lorsqu'une grande quantité d'aliments chauds sont placés à l'intérieur du congélateur, après le nettoyage de l'intérieur de l'appareil, si la porte du congélateur a été laissée ouverte, ou s'il y a eu une coupure de courant.

- Appuyer sur la touche ALARM (alarme) sur le tableau de commande pour réinitialiser l'alarme. L'alarme sonore s'arrêtera, mais l'icône de l'alarme restera allumée et l'affichage du réglage de la température du congélateur restera allumé (constant, ne clignote pas) jusqu'à ce que le compartiment du congélateur est refroidi à une température acceptable.

Alarme de dysfonctionnement technique

Comportement d'alarme : L'icône Alarme s'allume constamment (ne clignote pas), une alarme sonore retentit et l'affichage de réglage de la température du congélateur clignote (3 DEL).

Cela indique une défectuosité dans un composant technique.

- Appuyer sur la touche ALARM (alarme) sur le tableau de commande pour mettre au silence l'alarme sonore. Appeler le fournisseur de service autorisé pour assistance.

ENTRETIEN DU RÉFRIGÉRATEUR

Nettoyage

AVERTISSEMENT



Risque d'explosion

Utiliser un produit de nettoyage ininflammable.

Le non-respect de cette instruction peut causer un décès, une explosion ou un incendie.

Les sections de réfrigération et de congélation se dégivrent automatiquement. Toutefois, nettoyer les deux compartiments environ une fois par mois afin d'éviter une accumulation d'odeurs. Essuyer les renversements immédiatement.

Nettoyage du réfrigérateur :

REMARQUE : Ne pas utiliser de nettoyeurs puissants ou abrasifs tels que les nettoyeurs à vitre en atomiseurs, nettoyeurs à récurer, liquides inflammables, cires nettoyantes, détergents concentrés, agents de blanchiment ou nettoyeurs contenant du pétrole sur les pièces en plastique, les garnitures intérieures et garnitures de portes ou sur les joints de portes. Ne pas utiliser d'essuie-tout, tampons à récurer ou autres outils de nettoyage abrasifs.

1. Débrancher le réfrigérateur ou couper l'alimentation électrique.
2. Laver à la main, rincer et sécher les pièces amovibles et les surfaces internes soigneusement. Utiliser une éponge propre ou un linge doux et un détergent doux dans de l'eau tiède.

REMARQUE : Ne pas utiliser de l'eau de vaisselle pour nettoyer les pièces amovibles.

3. Laver les surfaces extérieures métalliques peintes avec une éponge propre ou un linge doux et un détergent doux dans de l'eau tiède. Sécher soigneusement avec un chiffon doux.
4. Pour assurer un dégivrage adéquat, nettoyer régulièrement le bac de dégivrage qui est situé au fond du compartiment de réfrigération le long de la paroi arrière.
5. Brancher le réfrigérateur ou couper l'alimentation électrique.

Lampes

Les lampes internes DEL ne peuvent pas être remplacées.

- Si les témoins lumineux ne s'allument pas lorsqu'on ouvre une porte, appeler les numéros fournis pour obtenir de l'aide ou un dépannage. Voir la page de couverture ou la garantie pour savoir qui contacter.

Pannes de courant

Si le courant doit être interrompu pendant une durée inférieure ou égale à 24 heures, garder la ou les portes fermées (selon votre modèle) pour permettre aux aliments de rester froids et congelés.

Si le courant doit être interrompu pendant plus de 24 heures, effectuer l'une des opérations suivantes :

- Retirer tous les aliments congelés et les entreposer dans un entrepôt frigorifique.
- Placer 2 lb (907 g) de neige carbonique dans le congélateur pour chaque pied cube (28 L) d'espace de congélation. Ceci permettra de garder les aliments congelés durant 2 à 4 jours.
- Si l'on ne dispose ni d'un entrepôt frigorifique, ni de glace carbonique, consommer les aliments périssables ou les mettre en conserve immédiatement.

NE PAS OUBLIER : Un congélateur plein restera froid plus longtemps qu'un congélateur partiellement rempli. Un congélateur plein de viande demeure froid plus longtemps qu'un congélateur rempli de pains et de pâtisseries. Si les aliments contiennent des cristaux de glace, ils peuvent être remis à congeler, toutefois la qualité et la saveur risquent d'en être affectées. Si les aliments semblent de piètre qualité, les jeter.

Entretien avant les vacances

Si l'utilisateur choisit de laisser le réfrigérateur en marche pendant son absence :

1. Consommer toutes les denrées périssables et congeler les autres articles.

Si l'utilisateur choisit d'arrêter le réfrigérateur avant son absence :

1. Enlever tous les aliments du réfrigérateur.
2. Désactiver le refroidissement. Voir "Utilisation des commandes".
3. Nettoyer le réfrigérateur, l'essuyer et bien le sécher.
4. À l'aide d'un ruban adhésif, placer des blocs de caoutchouc ou de bois dans la partie supérieure de chaque porte de façon à ce qu'elles soient suffisamment ouvertes pour permettre l'entrée de l'air à l'intérieur, afin d'éviter l'accumulation d'odeur ou de moisissure.

DÉPANNAGE

Fonctionnement du réfrigérateur

Le réfrigérateur ne fonctionne pas

AVERTISSEMENT



Risque de choc électrique

Brancher sur une prise à 3 alvéoles reliée à la terre.

Ne pas enlever la broche de liaison à la terre.

Ne pas utiliser un adaptateur.

Ne pas utiliser un câble de rallonge.

Le non-respect de ces instructions peut causer un décès, un incendie ou un choc électrique.

- **Le cordon d'alimentation électrique est-il débranché?** Brancher l'appareil sur une prise à 3 alvéoles reliée à la terre.
- **La prise électrique fonctionne-t-elle?** Brancher une lampe pour voir si la prise fonctionne.
- **Un fusible du domicile est-il grillé ou un disjoncteur s'est-il ouvert?** Remplacer le fusible ou réenclencher le disjoncteur. Si le problème persiste, appeler un électricien.
- **Les commandes sont-elles activées?** S'assurer que les commandes du réfrigérateur sont sur ON (allumés). Voir "Utilisation des commandes".
- **Le réfrigérateur est-il en train de se dégivrer?** Votre réfrigérateur fera fonctionner un programme de dégivrage automatique. Révérifier après 30 minutes pour voir s'il fonctionne.
- **S'agit-il d'une nouvelle installation?** Accorder 24 heures après l'installation pour que le réfrigérateur se refroidisse complètement.

REMARQUE : Le fait d'ajuster les commandes de température sur le réglage le plus froid ne refroidira pas le compartiment plus rapidement.

Le moteur semble fonctionner excessivement

Il se peut que votre nouveau réfrigérateur fonctionne plus longtemps que l'ancien en raison du compresseur et des ventilateurs à haute efficacité. L'appareil peut fonctionner plus longtemps encore si la température de la pièce est élevée, si une grande quantité de nourriture a été ajoutée, si les portes sont fréquemment ouvertes ou si elles ont été laissées ouvertes.

Le réfrigérateur est bruyant

Le bruit émis par les réfrigérateurs a été réduit au cours des années. Du fait de cette réduction, il est possible d'entendre des bruits intermittents provenant de votre nouveau réfrigérateur qui n'avaient pas été décelés avec votre ancien modèle. Voici une liste des sons normaux accompagnés d'une explication.

- **Pulsation** - les ventilateurs/le compresseur se règlent afin d'optimiser la performance
- **Cliquetis** - écoulement de liquide réfrigérant, mouvement des conduites d'eau ou d'objets posés sur le dessus du réfrigérateur
- **Grésillement/gargouillement** - de l'eau tombe sur l'élément de chauffage durant le programme de dégivrage
- **Bruit d'éclatement** - contraction/expansion des parois internes, particulièrement lors du refroidissement initial
- **Agua corriendo** - puede escucharse cuando el hielo se derrite durante el ciclo de descongelación y corre hacia la bandeja recolectora

Les portes ne ferment pas complètement

- **La porte est-elle bloquée en position ouverte?** Déplacer les emballages d'aliments pour libérer la porte.
- **Un compartiment ou une tablette bloquent-ils le passage?** Replacer le compartiment ou la tablette en position correcte.

Les portes sont difficiles à ouvrir

AVERTISSEMENT



Risque d'explosion

Utiliser un produit de nettoyage ininflammable.

Le non-respect de cette instruction peut causer un décès, une explosion ou un incendie.

- **Les joints sont-ils collants ou sales?** Nettoyer les joints au savon doux et à l'eau tiède.

Température et humidité

La température est trop élevée

- **S'agit-il d'une nouvelle installation?** Accorder 24 heures après l'installation pour que le réfrigérateur se refroidisse complètement.
- **Porte(s) ouverte(s) souvent ou laissée(s) ouverte(s)?** Ceci permet à l'air chaud de pénétrer dans le réfrigérateur. Minimiser les ouvertures de porte et garder les portes complètement fermées.
- **A-t-on ajouté une grande quantité d'aliments?** Attendre quelques heures pour permettre au réfrigérateur de revenir à une température normale.
- **Les réglages sont-ils corrects pour les conditions existantes?** Régler les commandes à un cran plus froid. Vérifier la température au bout de 24 heures. Voir "Utilisation des commandes".

- **Les événements sont-ils obstrués?** Enlever tout article placé devant les événements.

Il y a accumulation d'humidité à l'intérieur

REMARQUE : Une certaine accumulation d'humidité est normale.

- **La pièce est-elle humide?** Ceci contribue à l'accumulation de l'humidité.
- **Porte(s) ouverte(s) souvent ou laissée(s) ouverte(s)?** Ceci permet à l'air chaud de pénétrer dans le réfrigérateur. Minimiser les ouvertures de porte et garder les portes complètement fermées.

ASSISTANCE OU SERVICE

Si vous avez besoin de service

Consulter la page de garantie du présent manuel.

Si vous avez besoin de pièces de rechange

Si vous avez besoin de commander des pièces de rechange, nous vous recommandons d'utiliser seulement des pièces spécifiées par l'usine. Les pièces spécifiées par l'usine conviendront et fonctionneront bien car elles sont fabriquées selon la même précision que celle utilisée pour fabriquer chaque nouvel appareil KITCHENAID®.

Pour savoir où trouver des pièces spécifiées par l'usine dans votre région, nous appelons ou contacter le centre de service désigné le plus proche.

Aux É.-U.

Appelez sans frais le centre d'eXpérience à la clientèle KitchenAid au **1-800-422-1230**, ou visitez notre site Web à **www.kitchenaid.com**.

Nos consultants peuvent vous aider sur les points suivants :

- Caractéristiques et spécifications de notre gamme complète d'appareils ménagers.
- Références aux revendeurs KitchenAid locaux.
- Renseignements sur l'installation.
- Procédures d'utilisation et d'entretien.
- Vente d'accessoires et de pièces de rechange.
- Assistance spécialisée au client (langue espagnole, malentendants, malvoyants, etc.).

Pour plus d'assistance

Si vous avez besoin de plus d'assistance, vous pouvez écrire à KitchenAid en soumettant toute question ou problème à :

KitchenAid Brand Home Appliances
Customer eXperience Center
553 Benson Road
Benton Harbor, MI 49022-2692

Veillez indiquer dans votre correspondance un numéro de téléphone où l'on peut vous joindre dans la journée.

Au Canada

Appelez sans frais le centre d'eXpérience à la clientèle KitchenAid Canada au **1-800-807-6777**, ou visitez notre site Web à **www.kitchenaid.ca**.

Nos consultants peuvent vous aider sur les points suivants :

- Programmation d'une intervention de dépannage. Les techniciens de service désignés par la gamme d'appareils électroménagers KitchenAid® sont formés pour remplir la garantie des produits et fournir un service après la garantie, partout au Canada.
- Caractéristiques et spécifications de notre gamme complète d'appareils ménagers.
- Références aux revendeurs KitchenAid locaux.
- Procédures d'utilisation et d'entretien.
- Vente d'accessoires et de pièces de rechange.

Pour plus d'assistance

Si vous avez besoin de plus d'assistance, vous pouvez écrire à KitchenAid Canada en soumettant toute question ou problème à :

KitchenAid Brand Home Appliances
Customer eXperience Centre
200 – 6750 Century Ave.
Mississauga, Ontario L5N 0B7

GARANTIE LIMITÉE DES APPAREILS DE RÉFRIGÉRATION KITCHENAID®

ATTACHEZ ICI VOTRE REÇU DE VENTE. UNE PREUVE D'ACHAT EST OBLIGATOIRE POUR OBTENIR L'APPLICATION DE LA GARANTIE.

Lorsque vous appelez le centre d'eXpérience de la clientèle, veuillez garder à disposition les renseignements suivants :

- Nom, adresse et numéro de téléphone
- Numéros de modèle et de série
- Une description claire et détaillée du problème rencontré
- Une preuve d'achat incluant le nom et l'adresse du marchand ou du détaillant

SI VOUS AVEZ BESOIN DE SERVICE :

1. Avant de nous contacter pour obtenir un dépannage, veuillez déterminer si des réparations sont nécessaires pour votre produit. Certains problèmes peuvent être résolus sans intervention de dépannage. Prenez quelques minutes pour parcourir la section Dépannage ou Résolution de problèmes du guide d'utilisation et d'entretien, scannez le code QR ci-contre avec votre téléphone intelligent pour accéder à des ressources supplémentaires, ou rendez-vous sur le site <http://www.kitchenaid.ca>.

2. Tout service sous garantie doit être effectué exclusivement par nos fournisseurs de dépannage autorisés KitchenAid.

Aux É.-U. et au Canada, dirigez toutes vos demandes de service sous garantie au

Centre d'eXpérience de la clientèle KitchenAid

Aux É.-U., composer le 1-800-422-1230. Au Canada, composer le 1-800-807-6777.

Si vous résidez à l'extérieur du Canada et des 50 États des États-Unis, contactez votre marchand KitchenAid autorisé pour déterminer si une autre garantie s'applique.



<http://www.kitchenaid.ca>

GARANTIE LIMITÉE DE DIX ANS

CE QUI EST COUVERT

GARANTIE LIMITÉE

Pendant un an à compter de la date d'achat, lorsque ce gros appareil ménager est installé, utilisé et entretenu conformément aux instructions jointes à ou fournies avec le produit, la marque KitchenAid de Whirlpool Corporation ou Whirlpool Canada, LP (ci-après désignées "KitchenAid") décidera à sa seule discrétion de remplacer le produit ou de couvrir le coût des pièces spécifiées par l'usine et de la main-d'œuvre nécessaires pour corriger les vices de matériaux ou de fabrication qui existaient déjà lorsque ce gros appareil ménager a été acheté. S'il est remplacé, l'appareil sera couvert pour la période restant à courir de la garantie limitée d'un an du produit d'origine.

GARANTIE LIMITÉE DE LA DEUXIÈME À LA CINQUIÈME ANNÉE INCLUSIVEMENT SUR LA DOUBLURE DE LA CAVITÉ ET SUR LE SYSTÈME DE RÉFRIGÉRATION SCÉLLÉ

De la deuxième à la cinquième année inclusivement à compter de la date d'achat initiale, lorsque ce gros appareil ménager est installé, utilisé et entretenu conformément aux instructions jointes au produit ou fournies avec, la marque KitchenAid paiera pour les pièces de rechange spécifiées par l'usine et la main-d'œuvre concernant les composants suivants pour corriger les défauts non esthétiques de matériau ou de fabrication de ladite pièce qui empêchent le réfrigérateur de fonctionner et qui étaient déjà présents lorsque ce gros appareil ménager a été acheté :

- Doublure de la cavité du réfrigérateur/congélateur si la pièce se fissure en raison d'un vice de matériau ou de fabrication.
- Système de réfrigération scellé (y compris le compresseur, l'évaporateur, le condenseur, le séchoir et les conduits de connexion).

GARANTIE LIMITÉE DE LA SIXIÈME À LA DIXIÈME ANNÉE (SYSTÈME DE RÉFRIGÉRATION SCÉLLÉ UNIQUEMENT - MAIN-D'ŒUVRE NON COMPRISE)

De la sixième à la dixième année inclusivement à compter de la date d'achat, lorsque ce gros appareil ménager est installé, utilisé et entretenu conformément aux instructions jointes à ou fournies avec le produit, la marque KitchenAid paiera pour les pièces de rechange spécifiées par l'usine pour corriger les vices de matériaux ou de fabrication sur le système de réfrigération scellé qui existaient déjà lorsque ce gros appareil ménager a été acheté pour les pièces suivantes : compresseur, évaporateur, condenseur, sécheuse et conduits de connexion.

LE SEUL ET EXCLUSIF RECOURS DU CLIENT DANS LE CADRE DE LA PRÉSENTE GARANTIE LIMITÉE CONSISTE EN LA RÉPARATION PRÉVUE PAR LA PRÉSENTE. Le service doit être fourni par une compagnie de service désignée par KitchenAid. Cette garantie limitée est valide uniquement aux États-Unis ou au Canada et s'applique exclusivement lorsque le gros appareil ménager est utilisé dans le pays où il a été acheté. La présente garantie limitée est valable à compter de la date d'achat initial par le consommateur. Une preuve de la date d'achat initial est exigée pour obtenir un dépannage dans le cadre de la présente garantie limitée.

CE QUI N'EST PAS COUVERT

1. Usage commercial, non résidentiel ou par plusieurs familles, ou non-respect des instructions de l'utilisateur, de l'opérateur ou des instructions d'installation.
2. Visite d'instruction à domicile pour montrer à l'utilisateur comment utiliser l'appareil.
3. Visites de service pour rectifier une installation ou un entretien fautifs du produit, une installation non conforme aux codes d'électricité ou de plomberie, ou la rectification de l'installation électrique ou de la plomberie du domicile (ex : câblage électrique, fusibles ou tuyaux d'arrivée d'eau du domicile).
4. Pièces consommables (ex : ampoules, batteries, filtres à air ou à eau, solutions de conservation, etc.).
5. Défauts ou dommage résultant de l'utilisation de pièces ou accessoires KitchenAid non authentiques.
6. Dommages causés par : accident, mésusage, abus, incendie, inondations, catastrophe naturelle ou l'utilisation de produits non approuvés par KitchenAid.
7. Réparations aux pièces ou systèmes dans le but de rectifier un dommage ou des défauts résultant d'une réparation, altération ou modification non autorisée faite à l'appareil.
8. Défauts d'apparence, notamment les éraflures, traces de choc, fissures ou tout autre dommage subi par le fini de l'appareil ménager, à moins que ces dommages ne résultent de vices de matériaux ou de fabrication et ne soient signalés à KitchenAid dans les 30 jours suivant la date d'achat.
9. Décoloration, rouille ou oxydation des surfaces résultant d'environnements caustiques ou corrosifs incluant des concentrations élevées de sel, un haut degré d'humidité ou une exposition à des produits chimiques (exemples non exhaustifs).
10. Perte d'aliments ou de médicaments due à la défaillance du produit.
11. Enlèvement ou livraison. Ce produit est conçu pour être réparé à l'intérieur du domicile.
12. Frais de déplacement et de transport pour le dépannage/la réparation dans une région éloignée où une compagnie de service KitchenAid autorisée n'est pas disponible.
13. Retrait ou réinstallation d'appareils inaccessibles ou de dispositifs préinstallés (ex : garnitures, panneaux décoratifs, plancher, meubles, îlots de cuisine, plans de travail, panneaux de gypse, etc.) qui entravent le dépannage, le retrait ou le remplacement du produit.
14. Service et pièces pour des appareils dont les numéros de série et de modèle originaux ont été enlevés, modifiés ou ne peuvent pas être facilement identifiés.

Le coût d'une réparation ou d'un remplacement dans le cadre de ces circonstances exclues est à la charge du client.

CLAUSE D'EXONÉRATION DE RESPONSABILITÉ AU TITRE DES GARANTIES IMPLICITES

LES GARANTIES IMPLICITES, Y COMPRIS LES GARANTIES APPLICABLES DE QUALITÉ MARCHANDE OU D'APTITUDE À UN USAGE PARTICULIER, SONT LIMITÉES À UN AN OU À LA PLUS COURTE PÉRIODE AUTORISÉE PAR LA LOI. Certains États et provinces ne permettent pas de limitation sur la durée des garanties implicites de qualité marchande ou d'aptitude à un usage particulier, de sorte que la limitation ci-dessus peut ne pas être applicable dans votre cas. Cette garantie vous confère des droits juridiques spécifiques et vous pouvez également jouir d'autres droits qui peuvent varier d'une juridiction à l'autre.

EXONÉRATION DE RESPONSABILITÉ DANS LES DOMAINES NON COUVERTS PAR LA GARANTIE

KitchenAid décline toute responsabilité au titre de la qualité, de la durabilité ou en cas de dépannage ou de réparation nécessaire sur ce gros appareil ménager autre que les responsabilités énoncées dans la présente garantie. Si vous souhaitez une garantie plus étendue ou plus complète que la garantie limitée fournie avec ce gros appareil ménager, adressez-vous à KitchenAid ou à votre détaillant pour obtenir les modalités d'achat d'une garantie étendue.

LIMITATION DES RECOURS; EXCLUSION DES DOMMAGES FORTUITS OU INDIRECTS

LE SEUL ET EXCLUSIF RECOURS DU CLIENT DANS LE CADRE DE LA PRÉSENTE GARANTIE LIMITÉE CONSISTE EN LA RÉPARATION PRÉVUE PAR LA PRÉSENTE. KITCHENAID N'ASSUME AUCUNE RESPONSABILITÉ POUR LES DOMMAGES FORTUITS OU INDIRECTS. Certains États et certaines provinces ne permettent pas l'exclusion ou la limitation des dommages fortuits ou indirects de sorte que ces limitations et exclusions peuvent ne pas être applicables dans votre cas. Cette garantie vous confère des droits juridiques spécifiques et vous pouvez également jouir d'autres droits qui peuvent varier d'une juridiction à l'autre.

11/14