

KitchenAid® Ice Maker

PRODUCT MODEL NUMBERS

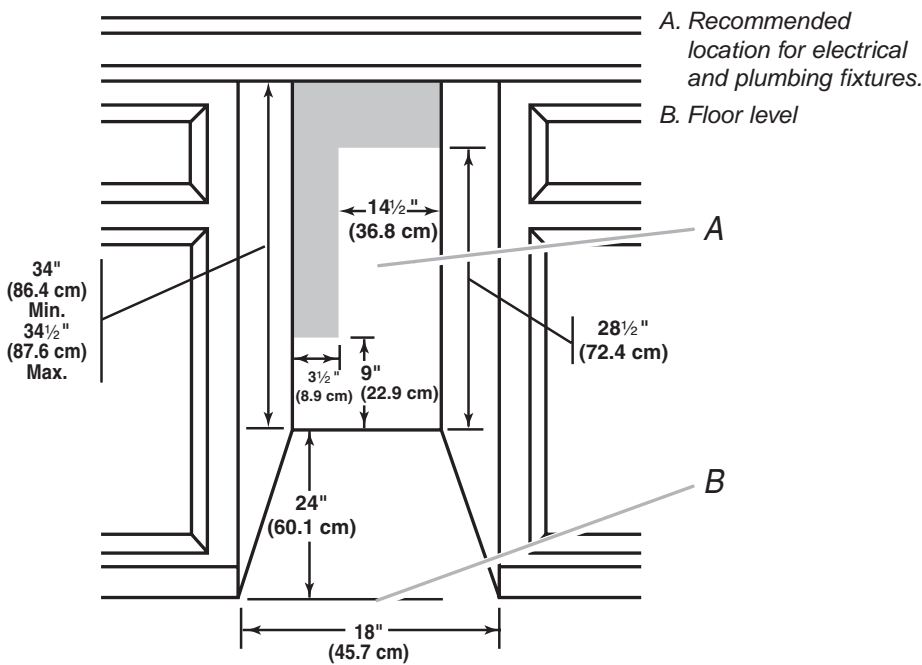
KUIA18NNJ	KUIS18NNT
KUIA18PNL	KUIC18PNT
KUIC18NNT	KUIS18PNT

Electrical: 115 volt, 60 Hz, AC only, 15 or 20 amp grounded circuit is required. A time-delay fuse or circuit breaker and separate circuit is recommended.

Water: A cold water supply with water pressure of between 30 and 120 psi (207 and 827kPa) is required to properly operate the ice maker.

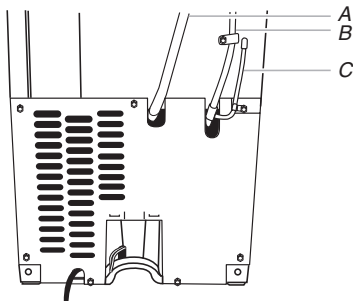
Drain: Either a gravity drain system or a drain pump system to carry water to an existing drain.

CABINET OPENING DIMENSIONS



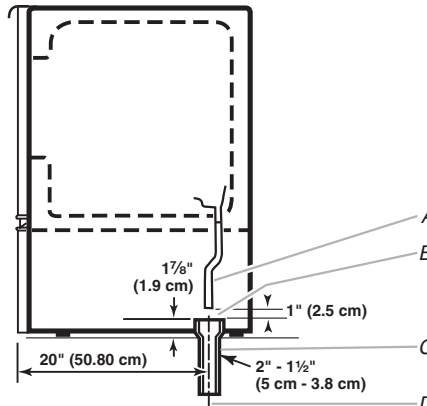
DRAIN REQUIREMENTS

REAR VIEW



A. Drain hose (drain pump models only)
B. Vent hose (drain pump models only)
C. Water supply line

SIDE VIEW



Drain lines must have a minimum of 5/8" (15.88 mm) inside diameter.

Drain lines must have a 1" drop per 48" (2.54 cm drop per 122 cm) of run or 1/4" drop per 12" (6.35 mm per 30.48 cm) of run and must not have low points where water can settle.

The floor drains must be large enough to accommodate drainage from all drains.

The ideal installation has a standpipe with a 1-1/2" (3.81 cm) to 2" (5.08 cm) PVC drain reducer installed directly below the outlet of the drain tube as shown. You must maintain a 1" (2.54 cm) air gap between the drain hose and the standpipe.

It may be desirable to insulate the drain line thoroughly up to the drain inlet.

A. Drain hose
B. 1" (2.54 cm) air gap
C. PVC drain reducer

D. Center of drain should be 20" (50.8 cm) from front of door, with or without the 3/4" (1.91 cm) panel on the door. The drain should also be centered from left to right (8 13/16" from either side of the ice maker).

PRODUCT DIMENSIONS

