

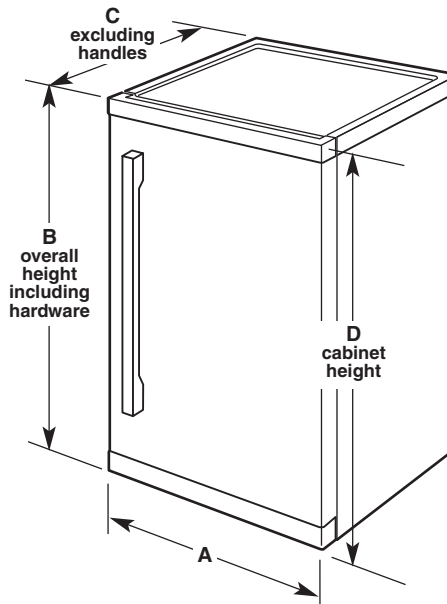
KitchenAid® Compact Refrigerator

PRODUCT MODEL NUMBERS

KUR024LS
KUR024RS

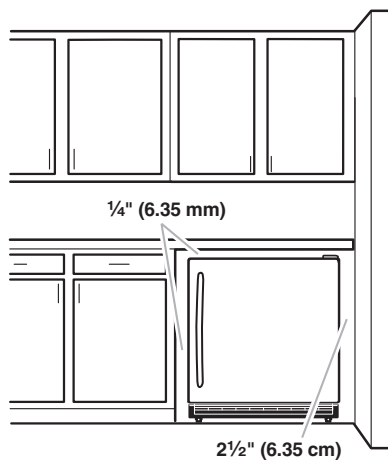
Electrical: A 115 Volt, 60 Hz., AC only 15 or 20 amp fused (or circuit breaker), grounded electrical supply is required. It is recommended that a separate circuit serving only your refrigerator be provided. Use an outlet that cannot be turned off by a switch. Do not use an extension cord.

OVERALL DIMENSIONS



A. Width	23 5/8"
B. Overall height	34 1/2"
C. Depth (excluding handles)	23 5/8"
D. Cabinet height	34 1/4"

LOCATION REQUIREMENTS



If your refrigerator is to be built-in, to ensure proper ventilation for your refrigerator, allow for 1/4" in. (6.35 mm) space on each side and at the top. When installing your refrigerator next to a fixed wall and the hinge side is next to the wall, leave 2-1/2" (6.35 cm) minimum to allow for the door to swing open. To open door wider, leave more space.

NOTE: Do not install the refrigerator near an oven, radiator, or other heat source, nor in a location where the temperature will fall below 55°F (13°C).