

# BUILT-IN SIDE-BY-SIDE OWNER'S MANUAL

# MANUEL D'UTILISATION DU RÉFRIGÉRATEUR CÔTE À CÔTE ENCASTRÉ

## Table of Contents/Table des matières

<b>REFRIGERATOR SAFETY</b> .....	2	<b>SÉCURITÉ DU RÉFRIGÉRATEUR</b> .....	33
Refrigerator Safety.....	2	Sécurité du réfrigérateur.....	33
<b>MODEL</b> .....	4	<b>MODÈLE</b> .....	35
Models.....	4	Modèles.....	35
<b>MAINTENANCE AND CARE</b> .....	5	<b>ENTRETIEN ET RÉPARATION</b> .....	36
Cleaning.....	5	Nettoyage.....	36
Changing LED Module.....	5	Remplacer le module à.....	36
Refrigeration Shelves and Door Bins.....	5	Tablettes du réfrigérateur et balconnets de porte.....	36
Sabbath and Vacation Care.....	7	Mode Sabbat et entretien avant les vacances.....	38
<b>INSTALLATION REQUIREMENTS</b> .....	8	<b>EXIGENCES D'INSTALLATION</b> .....	39
Tools and Parts.....	8	Outils et pièces.....	39
Location Requirements.....	8	Exigences d'emplacement.....	39
Electrical Requirements.....	9	Spécifications électriques.....	41
Water Supply Requirements.....	9	Spécifications de l'alimentation en eau.....	41
Tipping Radius.....	10	Rayon de basculement.....	42
Product Dimensions.....	10	Dimensions du produit.....	42
Door Swing Dimensions.....	12	Dimensions pour l'ouverture des portes.....	44
Overlay Series Door Panel and Cabinetry Clearance.....	13	Dégagement des panneaux de porte de série Overlay et des armoires.....	45
Overlay Series Custom Panels and Handle Kits.....	15	Panneaux personnalisés de série Overlay et ensembles de poignées.....	47
Stainless Series Custom Side Panels.....	16	Panneaux latéraux personnalisés Série Stainless.....	48
<b>INSTALLATION INSTRUCTIONS</b> .....	17	<b>INSTRUCTIONS D'INSTALLATION</b> .....	49
Unpack the Refrigerator.....	17	Déballage du réfrigérateur.....	49
Connect the Water Supply.....	18	Raccordement à la canalisation d'eau.....	51
Plug in Refrigerator.....	20	Brancher le réfrigérateur.....	53
Move Refrigerator to Final Location.....	20	Déplacement du réfrigérateur à son emplacement définitif.....	53
Level and Align Refrigerator.....	21	Réglage de l'aplomb et alignement du réfrigérateur.....	53
Install Overlay Series Custom Panels.....	21	Installation des panneaux personnalisés de série Overlay.....	54
Adjust Doors.....	22	Ajustement des portes.....	55
Install Side Panel.....	23	Installation du panneau latéral.....	56
Install Base Grille.....	23	Installation de la grille de la base.....	56
Install Odor Absorber (on some models).....	23	Installer le filtre à odeurs (sur certains modèles).....	56
Complete Installation.....	24	Achever l'installation.....	57
Water System Preparation.....	24	Préparation du circuit d'eau.....	57
<b>REFRIGERATOR FEATURES</b> .....	25	<b>CARACTÉRISTIQUES DU RÉFRIGÉRATEUR</b> .....	58
Water and Ice Dispensers.....	25	Distributeurs d'eau et de glaçons.....	58
Ice Maker and Storage Bin.....	27	Machine à glaçons et bac d'entreposage.....	60
Setting Liters and Ounces.....	28	Réglage en litres ou en onces.....	61
Measured Fill.....	28	Remplissage mesuré.....	61
Water Filtration System.....	28	Système de filtration de l'eau.....	62
Freezer Shelves.....	30	Tablettes du congélateur.....	63
<b>PERFORMANCE DATA SHEET</b> .....	31	<b>FICHE DE DONNÉES DE PERFORMANCE</b> .....	64
Performance Data Sheet.....	31	Fiche de données de performance.....	64

# REFRIGERATOR SAFETY

## Your safety and the safety of others are very important.

We have provided many important safety messages in this manual and on your appliance. Always read and obey all safety messages.



This is the safety alert symbol.

This symbol alerts you to potential hazards that can kill or hurt you and others.

All safety messages will follow the safety alert symbol and either the word "DANGER" or "WARNING." These words mean:

**▲ DANGER**

**You can be killed or seriously injured if you don't immediately follow instructions.**

**▲ WARNING**

**You can be killed or seriously injured if you don't follow instructions.**

All safety messages will tell you what the potential hazard is, tell you how to reduce the chance of injury, and tell you what can happen if the instructions are not followed.

## IMPORTANT SAFETY INSTRUCTIONS

**WARNING:** To reduce the risk of fire, electric shock, or injury to persons when using your appliance, follow basic precautions, including the following:

- Children should be supervised to ensure that they do not play with the appliance.
- This appliance is not intended for use by persons (including children) with reduced physical, sensory, or mental capabilities, or lack of experience and knowledge, unless they have been given supervision or instruction concerning use of the appliance by a person responsible for their safety.
- Do not use an extension cord.
- If power supply cord is damaged, it must be replaced by the manufacturer, its service agent, or a similarly qualified person in order to avoid a hazard.
- Connect to potable water supply only.
- This appliance is intended to be used in household and similar applications such as: staff kitchen areas in shops, offices, and other working environments; farm houses and by clients in hotels, motels, and other residential-type environments; bed and breakfast-type environments; and catering and similar non-retail applications.
- Do not store explosive substances such as aerosol cans with a flammable propellant in this appliance.
- Do not use replacement parts that have not been recommended by the manufacturer (e.g., parts made at home using a 3D printer).
- Keep ventilation openings, in the appliance enclosure or in the built-in structure, clear of obstruction.
- Do not use mechanical devices or other means to accelerate the defrosting process, other than those recommended by the manufacturer.
- Do not damage the refrigerant circuit.
- Do not use electrical appliances inside the food storage compartments of the appliance, unless they are of the type recommended by the manufacturer.
- Ice maker kit can be added to some models. See serial tag inside the food compartment of appliance for ice maker kit model information.
- A qualified service technician must install the water line and ice maker. See installation instructions supplied with ice maker kit for complete details.

**SAVE THESE INSTRUCTIONS**

# ⚠ WARNING



## Tip Over Hazard

Refrigerator is top heavy and tips easily when not completely installed.

Keep doors taped closed until refrigerator is completely installed.

Use two or more people to move and install refrigerator.

Failure to do so can result in death or serious injury.

## Proper Disposal of Your Old Refrigerator

**WARNING: Risk of child entrapment. Before you throw away your old refrigerator or freezer:**

- Take off the doors.
- Leave the shelves in place so that children may not easily climb inside.

# ⚠ WARNING

## Suffocation Hazard

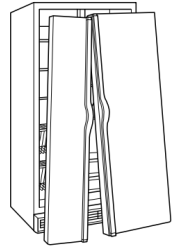
Remove doors or lid from your old appliance.

Failure to do so can result in death or brain damage.

**IMPORTANT:** Child entrapment and suffocation are not problems of the past. Junked or abandoned refrigerators are still dangerous, even if they will sit for "just a few days." If you are getting rid of your old refrigerator, please follow these instructions to help prevent accidents.

### Important information to know about disposal of refrigerants:

Dispose of refrigerator in accordance with federal and local regulations. Refrigerants must be evacuated by a licensed, EPA-certified refrigerant technician in accordance with established procedures.



# MODEL

## Models

### Side by Side Non-Dispensing Refrigerators



#### Stainless Series

This series provides a warm commercial-looking built-in refrigerator.

KBSN702MPS, KBSN708MPS



#### Overlay Series

Features factory-installed, overlay style trim to provide a “frameless” look. This series requires the installation of custom panels, handles, and standoffs.

KBSN702MPA, KBSN708MPA

### Side by Side Dispensing Refrigerators




#### Stainless Series

This series provides a warm commercial-looking built-in refrigerator.

KBSD706MPS, KBSD702MPS, KBSD708MPS, KBSD708MBS

# MAINTENANCE AND CARE

## Cleaning

<b>⚠WARNING</b>

<b>Explosion Hazard</b>
<b>Risk of Fire or Explosion.</b>
<b>Flammable Refrigerant Used.</b>
<b>Do Not Use Mechanical Devices to Defrost Refrigerator.</b>
<b>Do Not Puncture Refrigerant Tubing.</b>

Both the refrigerator and freezer sections defrost automatically. However, clean both sections about once a month to avoid buildup of odors. Wipe up spills immediately.


### To Clean Your Refrigerator:

1. Remove the top grille. See “Power On/Off Switch.”
2. Press the power switch to OFF.
3. Remove all removable parts from inside, such as shelves, crispers, etc.
4. Hand wash, rinse, and dry removable parts and interior surfaces thoroughly. Use a clean sponge or soft cloth and a mild detergent in warm water.
  - Do not use abrasive or harsh cleaners such as window sprays, scouring cleansers, flammable fluids, cleaning waxes, concentrated detergents, bleaches or cleansers containing petroleum products on plastic parts, interior and door liners or gaskets. Do not use paper towels, scouring pads, or other harsh cleaning tools. These can scratch or damage materials.
  - To help remove odors, you can wash interior walls with a mixture of warm water and baking soda (2 tbs to 1 qt [26 g to 0.95 L] of water).
5. Wash stainless steel and painted metal exteriors with a clean sponge or soft cloth and a mild detergent in warm water. Do not use abrasive or harsh cleaners, or cleaners containing chlorine. Dry thoroughly with a soft cloth.

**NOTE:** To keep your Stainless Steel refrigerator looking like new and to remove minor scuffs or marks, it is suggested that you use the manufacturer’s approved Stainless Steel Cleaner and Polish.

**IMPORTANT:** This cleaner is for stainless steel parts only. Do not allow the Stainless Steel Cleaner and Polish to come into contact with any plastic parts such as the trim pieces, dispenser covers or door gaskets. If unintentional contact does occur, clean plastic part with a sponge and mild detergent in warm water. Dry thoroughly with a soft cloth. To order the cleaner, see “Accessories.”
6. Press the power switch to ON.
7. Replace the top grille. See “Power On/Off Switch.”

## Condenser Cleaning

<b>⚠WARNING</b>

<b>Explosion Hazard</b>
<b>Risk of Fire or Explosion due to Puncture of Refrigerant Tubing;</b>
<b>Follow Handling Instructions Carefully.</b>
<b>Flammable Refrigerant Used.</b>

There is no need for routine condenser cleaning in normal home operating environments. If the environment is particularly greasy or dusty or there is significant pet traffic in the home, the condenser should be cleaned every 6 months to ensure maximum efficiency.

1. Unplug refrigerator or disconnect power.
2. Remove the base grille.
3. Use a vacuum cleaner with a soft brush to clean the grille, the open areas behind the grille, and the front surface area of the condenser.
4. Replace the base grille when finished.
5. Plug in refrigerator or reconnect power.

**NOTE:** If you are unable to clean the condenser, please call for service.

## Changing the LED Module

**IMPORTANT:** The lights in both the refrigerator and freezer compartments use LED technology. If the lights do not illuminate when the door or drawer is opened, call for assistance or service. Refer to the Quick Start Guide for contact information. If an LED module(s) do not illuminate when the refrigerator and/or freezer door is opened, call for assistance or service.

## Refrigeration Shelves and Door Bins

### Important information to know about glass shelves and covers:

Do not clean glass shelves or covers with warm water when they are cold. Shelves and covers may break if exposed to sudden temperature changes or impact, such as bumping. Tempered glass is designed to shatter into many small, pebble-size pieces. This is normal. Glass shelves and covers are heavy. Use both hands when removing them to avoid dropping.

The shelves in your refrigerator are adjustable to match your individual storage needs.

Storing similar food items together in your refrigerator and adjusting the shelves to fit different heights of items will make finding the exact item you want easier. It will also reduce the amount of time the refrigerator door is open, and save energy

### Door Bins

Gallon door bin holds gallon containers, shallow bins hold 2 L bottles and small items bin holds items that can get lost on shelves. All are removable for easy cleaning.

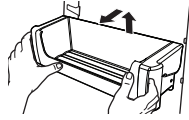
### Small Items Bin

**NOTE:** Proper placement of bin is on top spot of door to avoid items from falling out during opening and closing of door.

1. Install the Small Items Bin in top spot of door and push down to secure.

To remove and replace the small items bin:

1. Remove bin by lifting it up and pulling it out.
2. Replace bin by sliding it in above the desired support and pushing down until it stops.

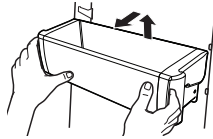


3. Install the Small Items Bin in the top spot of the door.

### Shallow Door Bins

To remove and replace the shallow door bin:

1. Remove bin by lifting up and pulling out.
2. Replace bin by sliding in above the desired support and pushing down until it stops.



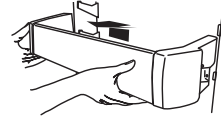
### Gallon Door Bin

**NOTE:** The bin can only be placed on the lower door support.

1. Install bin above lowest door support adjustment slot and push down to secure.

To remove and replace the gallon door bin:

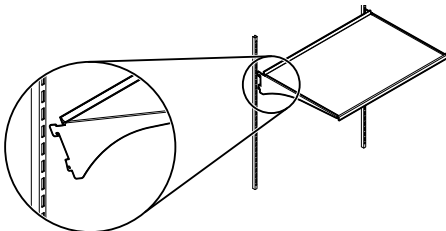
1. Remove the bin by lifting and pulling out.
2. Replace the bin by sliding in above the desired support and pushing down until it stops.



### Shelves and Shelf Frames

To remove and replace a shelf/frame:

1. Remove the shelf/frame by tilting it up at the front and lifting it out of the shelf supports. Pull shelf straight out.
2. Replace the shelf/frame by guiding the rear shelf hooks in to the shelf supports. Tilt the front of the shelf up until the rear shelf hooks drop into the shelf supports.
3. Lower the front of the shelf and check that the shelf is in position.

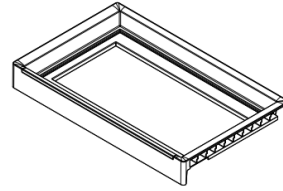


### Pull Out Tray

Remove and Replace:

1. Remove food from tray.
2. Pull drawer out about 4" (10.16 cm).

3. Reach under the tray with both hands and lift gently upward until front of shelf is free. Tilt the shelf at an angle and remove the shelf from the refrigerator.
4. Tilt the shelf at an angle and position it above the support rails.
5. Place shelf gently on support rails on side wall.



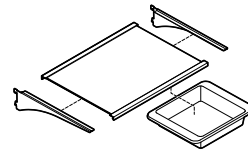
### Marinating Pan

To remove and replace Marinating Pan:

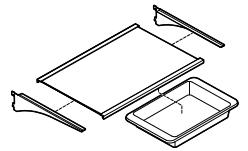
1. Remove the marinating pan by lifting it up off the brackets. Press the right-hand side of the pan inward until it is free of its bracket. Lower the right-hand side slightly and disengage the left-hand side from its bracket.
2. Replace the marinating pan by inserting the left-hand side into its bracket. Press inward on the right-hand side until it will slide past the bracket edge and set it into its bracket.

**NOTE:** Remove everything that is below (pans/bucket) and above the Marinating Pan before removing it.

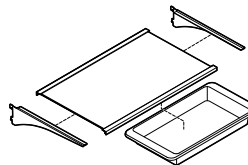
For 36"



For 42"



For 48"



To purchase additional bakeware please visit:

<https://www.kitchenaid.com/kitchenware/bakeware.html>

### Remove and Replace the Top Drawer Cover

1. Remove food from Top drawer cover. Pull drawer out about 4" (10.16 cm). Reach under the glass shelf with both hands and lift gently upward until back of shelf is free. Tilt the shelf at an angle and remove the shelf from the refrigerator. Be sure not to bump the glass.



2. Replace the cover by holding the glass shelf firmly with both hands, tilt the shelf at an angle and position it above the support rails. Place shelf gently on support rails on side wall.

**NOTE:**

- Non Dispenser products have UI just above the drawer with cooling control.
- The UI for Dispenser products is in the door.

**Meat Storage Guide**

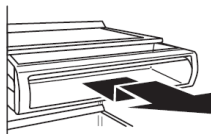
Store most meat in original wrapping as long as it is airtight and moisture-proof. Rewrap if necessary. See the following chart for storage times. When storing meat longer than the times given, freeze the meat.

Fresh fish or shellfish..... use same day as purchased  
 Chicken, ground beef, variety meats (liver) ..... 1-2 days  
 Cold cuts, steaks/roasts ..... 3-5 days  
 Cured meats..... 7-10 days  
 Leftovers - Cover leftovers with plastic wrap, aluminum foil, or plastic containers with tight lids.

**Crisper and Covers**

**To remove and replace the crisper:**

1. Slide the crisper drawer straight out to the stop. Lift the front of the drawer with one hand while supporting the bottom with the other hand. Slide the drawer out the rest of the way.
2. To replace the crisper drawer, place the drawer onto slides and push the drawer back until securely in position.
3. Test the crisper drawer to make sure it has been replaced properly.



**To clean crisper covers:**

1. To clean the top crisper cover, remove the drawer located above it.
2. To clean the bottom crisper cover, first remove the top crisper drawer.

**Sabbath and Vacation Care**

**Sabbath Instructions**

Your refrigerator is equipped with the Sabbath Mode feature, which is designed for those whose religious observances require turning off the lights and ice maker.

By selecting this feature:

- The temperature set points and Deli Pan settings remain unchanged.
- LEDs from the electronic controls will not display.
- The Sabbath button will be the only light displaying.
- Ice and Water will not dispense.
- No alarm will ring.
- Interior lights will turn off.
- The product will not change its behavior by opening the door.

For most efficient refrigerator operation, it is recommended to exit Sabbath mode when it is no longer required.

To fully activate Sabbath Mode, you must follow the instructions below for the control panel.

**IMPORTANT:** If you do not activate Sabbath Mode in both ways listed below, some functions you wish to disable will remain active.

**CONTROL PANEL**

In Sabbath Mode, the temperature set points remain unchanged and the interior lights turn off.

1. To turn ON the Sabbath Mode, Press the SABBATH button on the dispensing or internal controls and hold for 3 seconds.
2. Turn OFF Ice Maker (Refer to the “Ice Maker and Storage Bin” section for further instructions on how to turn the icemaker ON or OFF).
3. Press the SABBATH button again for 3 seconds to turn OFF Sabbath Mode. Turn Ice Maker back ON.

**NOTE:** If a power outage occurs while in Sabbath Mode the appliance will remain in Sabbath Mode when power returns.

**Vacation Care**

**Vacation**

If You Choose to Leave the Refrigerator On While You are Away:

1. Use up any perishables and freeze other items.
2. If your refrigerator has an automatic ice maker, and is connected to the household water supply, turn off the water supply to the refrigerator. Property damage can occur if the water supply is not turned off.
3. If you have an automatic ice maker, turn off the ice maker.
  - Refer to the “Ice Maker and Storage Bin” section for further instructions on how to turn the ice maker ON or OFF.
4. Empty the ice bin.
5. Set Vacation Mode.

**For NON-dispensing units:**

1. Press Vacation button to turn ON and light displays. Press again to turn OFF.

**For dispensing units:**

1. To turn ON Vacation mode, Hold (max freeze) and (Freezer) button for 3 seconds, the Vacation indicator shows 100% bright and blinks twice and remains ON.
2. To turn OFF Vacation mode, Hold (max freeze) and (Freezer) button for 3 seconds, the vacation indicator blinks twice and remains OFF.

**NOTE:** Activating Vacation mode does not turn off the ice maker.

**If You Choose to Turn Off the Refrigerator Before You Leave:**

1. Remove all food from the refrigerator.
2. If your refrigerator has an automatic ice maker:
  - Turn off the water supply to the ice maker at least one day ahead of time.
  - When the last load of ice drops, raise the wire shutoff arm to the Off (up) position or press the switch to Off, depending on your model.
3. Empty the ice bin.
4. Depending on your model, turn the Thermostat Control (or Refrigerator Control) to OFF. See “Using the Controls”.
5. Clean refrigerator, wipe it, and dry well.
6. Tape rubber or wood blocks to the tops of both doors to prop them open far enough for air to get in. This stops odor and mold from building up.



# INSTALLATION REQUIREMENTS

## Tools and Parts

### IMPORTANT:

- Installer: Leave Installation Instructions with the homeowner.
- Homeowner: Keep Installation Instructions for future reference. Save these Installation Instructions for the local electrical inspector's use.

### Tools Needed

Gather the required tools and parts before starting installation. Read and follow the instructions provided with any tools listed here.

- |                                   |                         |
|-----------------------------------|-------------------------|
| ■ Cordless drill                  | ■ Torx®†T27 screwdriver |
| ■ Drill bits                      | ■ 11/32" nut driver     |
| ■ Adjustable wrenches (2)         | ■ Appliance dolly       |
| ■ Phillips screwdriver            | ■ 5/32" hex key         |
| ■ Small level                     | ■ Utility knife         |
| ■ 3/8" and 1/2" open-end wrenches | ■ Tape measure          |
| ■ 1/4" and 5/16" socket drivers   |                         |

### Parts Needed

- #8 x 3" (7.6 cm) wood screws (longer screws may be needed) (6)
- 2" x 4" x 32" (5 cm x 10 cm x 81 cm) wood board(s) (1 or 2)
- Make custom panels or consult a qualified cabinetmaker or carpenter to make the panels.  
Overlay Series: Make custom panels, or consult a qualified cabinetmaker or carpenter to make the panels. See "Overlay Series Custom Panels and Handle Kits" for more information. Stainless is shipped complete.
- If you are connecting the water line directly to copper tubing and not to a shutoff valve, you need a ferrule, a union, and a 1/4" (6.35 mm) compression fitting.

## Location Requirements

**⚠ WARNING**



**Explosion Hazard**

**Keep flammable materials and vapors, such as gasoline, away from appliance.**

**Use nonflammable cleaner.**

**Failure to do so can result in death, explosion, or fire.**

**IMPORTANT:** This refrigerator is designed for indoor, household use only.

This appliance is intended to be used in household and similar applications such as:

- Staff kitchen areas in shops, offices and other working environments.
- Farm houses and by clients in hotels, motels and other residential type environments.
- Bed and breakfast type environments.
- Catering and similar non-retail applications.
- Observe all governing codes and ordinances.
- It is recommended that you do not install near an oven, radiator, or other heat source.
- Do not install in a location where the temperature will fall below 55°F (13°C).
- Floor must support the refrigerator weight, more than 600 lbs (272 kg), door panels and contents of the refrigerator. Flooring under refrigerator must be at same level as the room. Face of cabinetry must be plumb.
- Ceiling height must allow for side tipping radius. See "Tipping Radius."
- Location should permit door to open fully. See "Door Swing Dimensions."
- Location must permit top grille removal. See "Opening Dimensions."

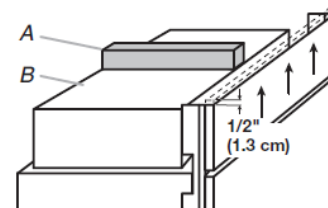
### Opening Dimensions

- To avoid tipping during use, the solid soffit must be within 1" (2.5 cm) maximum above the refrigerator. If the solid soffit is higher than 1" (2.5 cm) or one is not available, then the refrigerator must be braced. If anti-tip boards are needed, they must be installed to the rear wall studs so that the bottom of the anti-tip board is 84" (213.4 cm) from the floor. See "Install Anti-Tip Boards" for more information.

### IMPORTANT

#### NOTES:

- A clearance of 1/2" (1.3 cm) must be maintained above the top grille in order for the top grille to be removed.
- Do not remove the foam gasket from the top of the compressor cover unless removal is necessary to fit the unit under a soffit. Removal of the gasket will cause loss in cooling efficiency.
- If installing under a solid soffit, after installation raise the leveling legs so that the gasket is pressed snugly against the soffit.



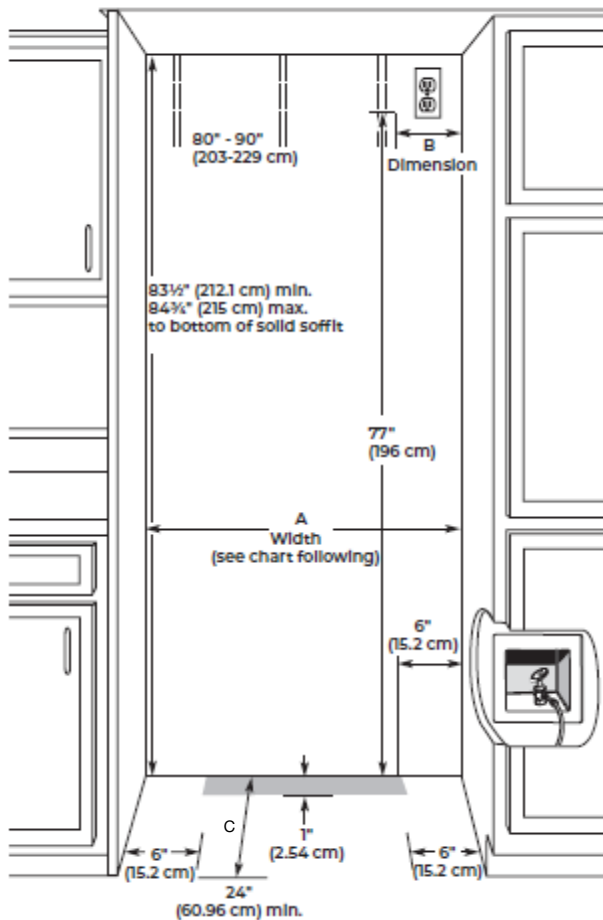
A. Gasket  
B. Compressor cover

- A grounded 3 prong electrical outlet should be located within a specified number of inches from the right-hand side cabinets or end panel. See the chart following the graphic for the number of inches required for your model. For more information, see "Electrical Requirements."

†TORX is a trademark of Acument Intellectual Properties, LLC.



- The water shutoff should be located in the base cabinet on either side of the refrigerator or some other easily accessible area. If the water shutoff valve is not in the cabinets, the plumbing for the water line can come through the floor. See “Water Supply Requirements” for more information.



Model	Width A (as shown above)	Dimension B (as shown above)
36	35 1/2" to 35 3/4" (90.2 cm to 90.8 cm)	4" (10.2 cm)
42	41 1/2" to 41 3/4" (105.4 cm to 106.1 cm)	7 1/2" (19.1 cm)
48	47 1/2" to 47 3/4" (120.7 cm to 121.3 cm)	13 1/2" (34.3 cm)

**NOTE:** Flooring under appliance must be at same level as the room. Face of cabinetry must be plumbed.

Installation Type	Depth C (as shown above)
Standard Flush (new installation)	25" (63.5 cm) minimum
Retrofit Installations	24" (60.9 cm) minimum

**NOTE:** On retrofit installations, door panels will not be flush with adjacent cabinets.

## Electrical Requirements

⚠ WARNING

Electrical Shock Hazard

- Plug into a grounded 3 prong outlet.**
- Do not remove ground prong.**
- Do not use an adapter.**
- Do not use an extension cord.**
- Failure to follow these instructions can result in death, fire, or electrical shock.**

Before you move your refrigerator into its final location, it is important to make sure you have the proper electrical connection.

If the supply cord is damaged, it must be replaced by the manufacturer or its service agent or a similarly qualified person. Do not use a cord that shows cracks or abrasion damage along its length or at either the plug or connector end.

### Recommended Grounding Method

A 115 V, 60 Hz AC only 15 A or 20 A fused, grounded electrical supply is required. It is recommended that a separate circuit serving only your refrigerator and approved accessories be provided. Use an outlet that cannot be turned off by a switch. Do not use an extension cord.

**IMPORTANT:** If this product is connected to a GFCI (Ground Fault Circuit Interrupter) protected outlet, nuisance tripping of the power supply may occur, resulting in loss of cooling. Food quality and flavor may be affected. If nuisance tripping has occurred, and if the condition of the food appears poor, dispose of the food.

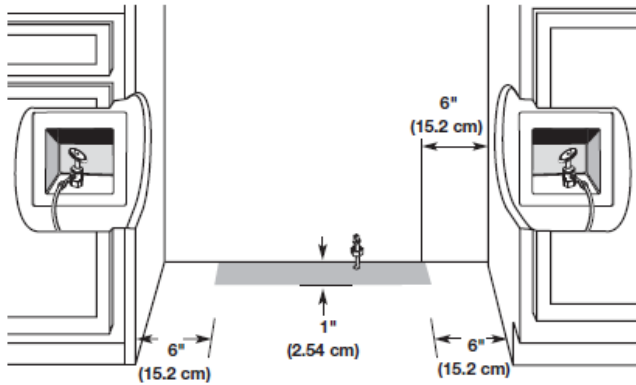
**NOTE:** Before performing any type of installation or cleaning, remove the top grille and turn the master power switch to OFF or disconnect power at the circuit breaker box. When you are finished, turn ON the master power switch or reconnect power at the circuit breaker box. Then reset the control to the desired setting.

## Water Supply Requirements

### IMPORTANT:

- All installations must meet local plumbing code requirements.
- Connect to potable water supply only .
- There is not enough clearance to achieve a flush installation if a water shutoff valve is located in the wall behind the refrigerator.
- The water shutoff should be located in the base cabinet on either side of the refrigerator or some other easily accessible area. The right-hand side is recommended. The access hole through the cabinet must be within 1/2" (1.3 cm) of the rear

**NOTE:** If the water shutoff valve is in the back wall behind the refrigerator, it must be at an angle so that the tube is not kinked when the refrigerator is pushed into its final location.



- If the water shutoff valve is not in the cabinets, the plumbing for the water line can come through the floor. A 1/2" (12.7 mm) hole for plumbing should be drilled at least 6" (15.2 cm) from the right-hand or left-hand side cabinet or panel. On the floor, the hole should be no more than 1" (2.54 cm) away from the back wall. See "Connect the Water Supply."
- If additional tubing is needed, use copper tubing and check for leaks. Install the copper tubing only in areas where the household temperatures will remain above freezing.
- If additional tubing is needed, use copper tubing and check for leaks. Install the copper tubing only in areas where the household temperatures will remain above freezing.
- Do not use a piercing-type or 3/16" (4.76 mm) saddle valve which reduces water flow and also clogs more easily.  
**NOTE:** Your refrigerator dealer has a kit available with a 1/4" (6.35 mm) saddle-type shutoff valve, a union, and copper tubing. Before purchasing, make sure a saddle-type valve complies with your local plumbing codes.

### Water Pressure

A cold water supply with water pressure between 30 psi and 120 psi (207 kPa and 827 kPa) is required to operate the water dispenser and ice maker. If you have questions about your water pressure, call a licensed, qualified plumber.

**NOTE:** If the water pressure is less than what is required, the flow of water from the water dispenser could decrease or ice cubes could be hollow or irregular shaped. If you have questions about your water pressure, call a licensed, qualified plumber.

### Reverse Osmosis Water Supply

**IMPORTANT:** The pressure of the water supply coming out of a reverse osmosis system going to the water inlet valve of the refrigerator needs to be between 30 psi and 120 psi (207 kPa and 827 kPa).

If a reverse osmosis water filtration system is connected to your cold water supply, the water pressure to the reverse osmosis system needs to be a minimum of 40 psi to 60 psi (276 kPa to 414 kPa).

If the water pressure to the reverse osmosis system is less than 40 psi to 60 psi (276 kPa to 414 kPa):

- Check to see whether the sediment filter in the reverse osmosis system is blocked. Replace the filter if necessary.
- Allow the storage tank on the reverse osmosis system to refill after heavy usage.
- If your refrigerator has a water filter, it may further reduce the water pressure when used in conjunction with a reverse osmosis system. Remove the water filter cartridge.

If you have questions about your water pressure, call a licensed, qualified plumber.

## Tipping Radius

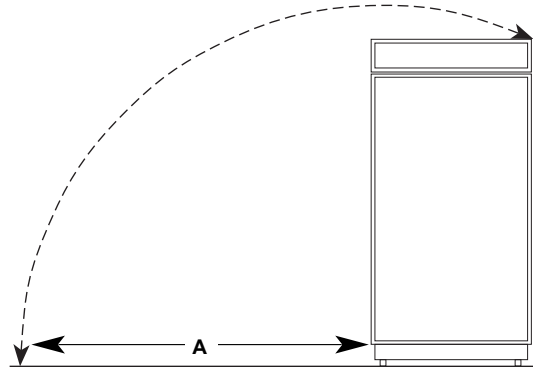
Be sure there is adequate ceiling height to stand the refrigerator upright when it is moved into place.

- Be sure there is adequate ceiling height to stand the refrigerator upright when it is moved into place.
- If needed, the tipping radius can be reduced. See "Reduce Tipping Radius."

### Side Tipping Radius

The side tipping radius varies depending upon the width of the model. Use the chart provided to determine the side tipping radius.

**NOTE:** Tip on side only.

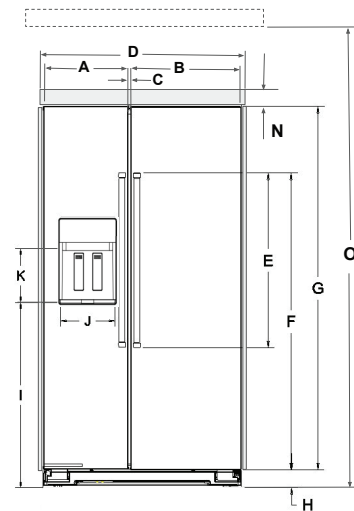


Model	Tipping Radius
36	90 1/2" (106 cm)
42	93" (236.2 cm)
48	96" (243.8 cm)

## Product Dimensions

### Front View

- Width dimensions were measured from trim edge to trim edge.
- Height dimensions are shown with leveling legs extended 1/8" (3 mm) below the rollers.

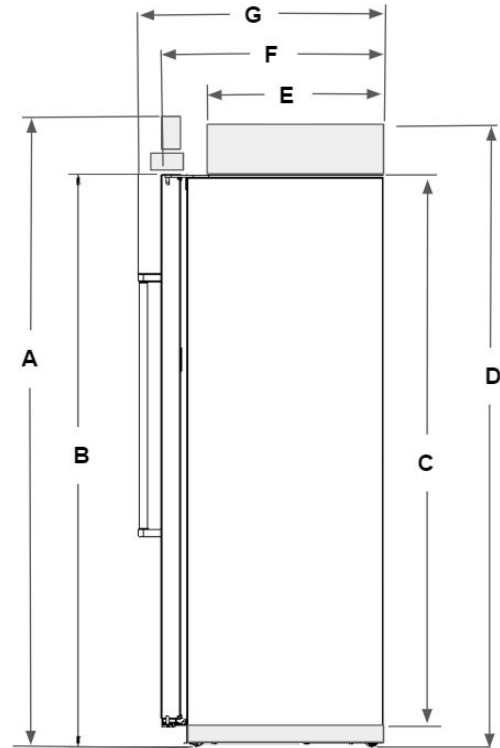


Description		Inches	cm
A	Width of FC door		
	36"	15 $\frac{1}{2}$	38.1
	42"	17 $\frac{1}{2}$	44.4
B	Width of RC door		
	36"	20	50.8
	42"	23	59.7
	48"	27	68.6
C	Space between doors	1/4	0.65
D	Overall width with band		
	36"	36 $\frac{3}{16}$	91.9
	42"	42 $\frac{3}{16}$	107.2
	48"	48 $\frac{3}{16}$	122.4
F	Height of door handles	39 $\frac{1}{16}$	99.3
E	Height to top of door handles	60 $\frac{9}{16}$	153.8
G	Height of doors	70 $\frac{15}{16}$	180.2
H	Height of grille	3 $\frac{9}{16}$	9.0
I	Height to bottom of the dispenser	38 $\frac{5}{16}$	97.3
J	Width of Dispenser	9 $\frac{3}{16}$	23.3
K	Height of Dispenser	7 $\frac{11}{16}$	19.5
L	Water line location distance from side	17 $\frac{3}{4}$	45.0
M	Water line location distance from front	3 $\frac{1}{4}$	8.2
N	Height of grille (top)	8 $\frac{7}{8}$	22.6
O	To bottom of solid soffit (minimum & maximum)	83 $\frac{1}{2}$	212.1
		84 $\frac{5}{8}$	215

When leveling legs are fully extended to 1 $\frac{1}{4}$ " (3.2 cm) below rollers, add 1 $\frac{1}{8}$ " (2.9 cm) to the height dimensions.

### Side View

- The depth from the front of the top grille to the back of the refrigerator cabinet is 25 $\frac{3}{8}$ " (64.5 cm).
- The power cord is 84" (213 cm) long.
- Height dimensions are shown with leveling legs extended 1/8" (3 mm) below the rollers.



Description		Inches	cm
A	Total height	83 $\frac{3}{8}$	211.8
B	Height to top of doors	74 $\frac{1}{2}$	189.2
C	Height of Cabinet	71	180.4
D	Height to top of machine compartment cover	83 $\frac{3}{16}$	211.3
E	Depth to machine compartment cover	19 $\frac{15}{16}$	50.6
F	Depth with doors	25	63.5
G	Depth with handles	27 $\frac{11}{16}$	70.4

Interior dimensions	Width		Height	
	Inches	cm	Inches	cm
Refrigerator Compartment	36"	17 $\frac{5}{16}$	44.0	
	42"	20 $\frac{13}{16}$	52.9	67 $\frac{1}{16}$
	48"	24 $\frac{5}{16}$	61.8	170.4
Freezer Compartment	36"	11 $\frac{13}{16}$	30.0	
	42"	14 $\frac{5}{16}$	36.4	66 $\frac{3}{4}$
	48"	16 $\frac{13}{16}$	42.7	169.6

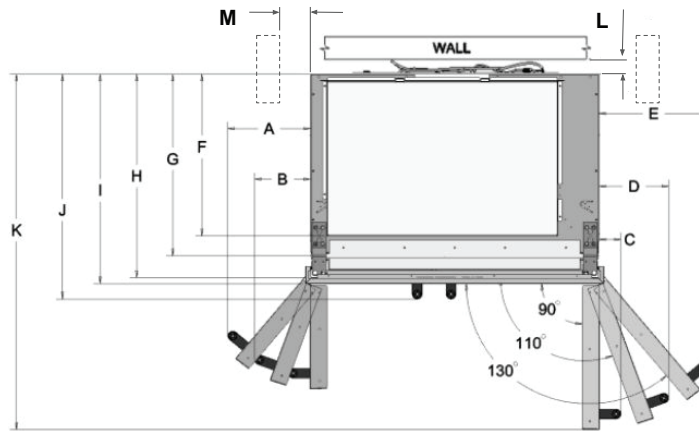
When leveling legs are fully extended to 1 $\frac{1}{4}$ " (3.2 cm) below rollers, add 1 $\frac{1}{8}$ " (2.9 cm) to the height dimensions.

## Door Swing Dimensions

The location must permit both doors to open to a minimum of 90°. Allow 5" (12.7 cm) minimum space between the side of the refrigerator and a corner wall.

**NOTE:** More clearance may be required if you are using overlay panels, custom handles, or extended handles on a Classic model.

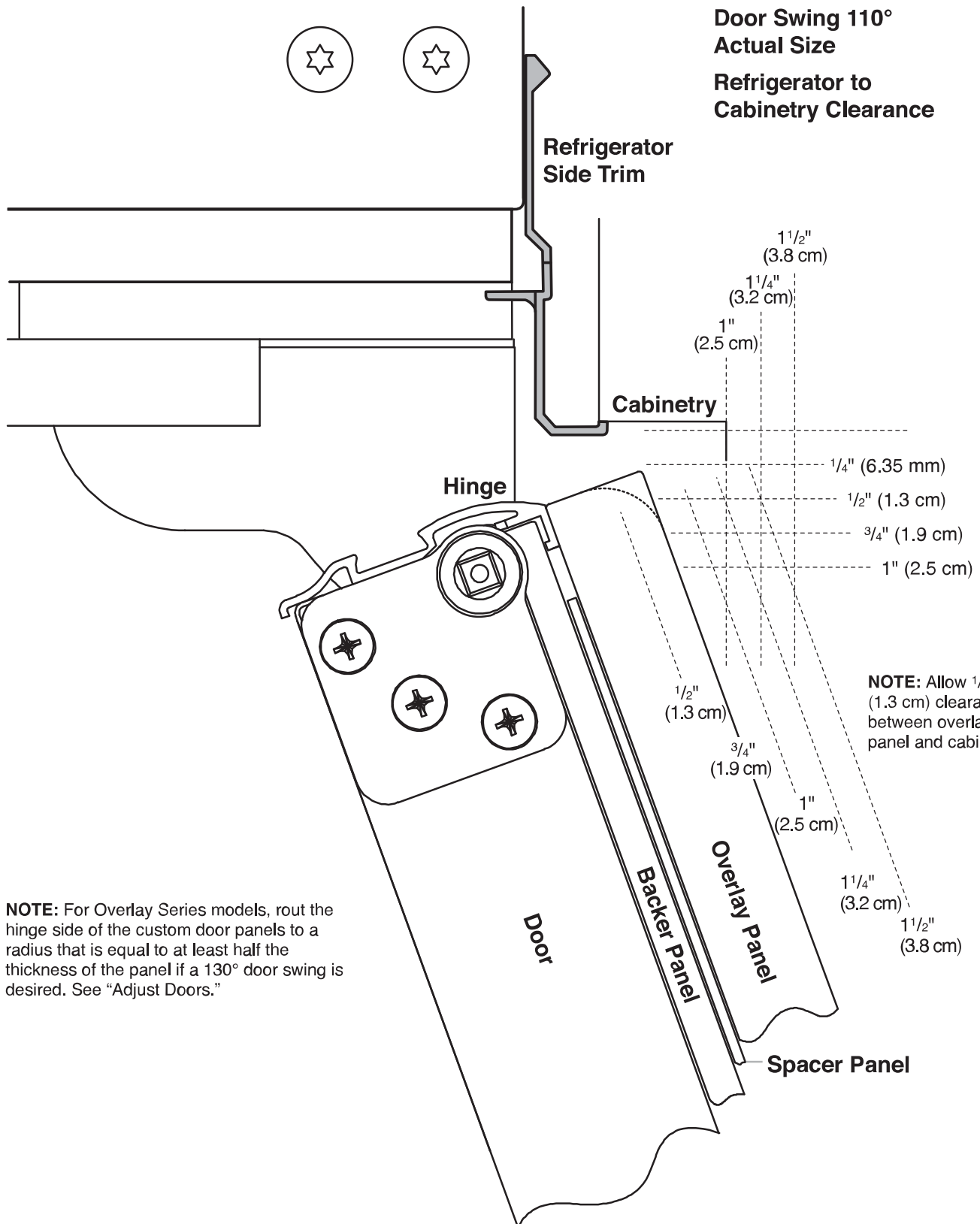
To adjust the door swing, see "Adjust Doors."



	Description	Inches	cm
A	Width from FC side of refrigerator to handle - door fully open 130°	10	25.4
		11 <sup>5</sup> / <sub>8</sub>	29.5
		13 <sup>1</sup> / <sub>4</sub>	33.6
B	Width from FC side of refrigerator to handle - door fully open 110°	6 <sup>3</sup> / <sub>4</sub>	17.1
		7 <sup>5</sup> / <sub>8</sub>	19.3
		8 <sup>7</sup> / <sub>16</sub>	21.5
C	Width from FC side of refrigerator to handle - door open 90°	2 <sup>11</sup> / <sub>16</sub>	6.8
D	Width from RC side of refrigerator to handle - door fully open 110°	8 <sup>7</sup> / <sub>16</sub>	21.5
		9 <sup>5</sup> / <sub>8</sub>	24.5
		10 <sup>7</sup> / <sub>8</sub>	27.6
E	Width from RC side of refrigerator to handle - door fully open 130°	13 <sup>1</sup> / <sub>4</sub>	33.6
		15 <sup>1</sup> / <sub>2</sub>	39.3
		17 <sup>3</sup> / <sub>4</sub>	45.1
F	Depth to machine compartment cover	19 <sup>15</sup> / <sub>16</sub>	50.6
G	Depth without doors	22 <sup>3</sup> / <sub>8</sub>	56.8
H	Depth with doors	25	63.5
I	Depth with top grill	25 <sup>13</sup> / <sub>16</sub>	65.5
J	Depth with handles	27 <sup>11</sup> / <sub>16</sub>	70.4
K	Depth with RC door open 90°	43 <sup>3</sup> / <sub>4</sub>	111.1
		47 <sup>3</sup> / <sub>16</sub>	119.9
		50 <sup>11</sup> / <sub>16</sub>	128.8
L	Space required for water lines and power chord	1	2.54
M	Space required for side cabinet	6	15.24

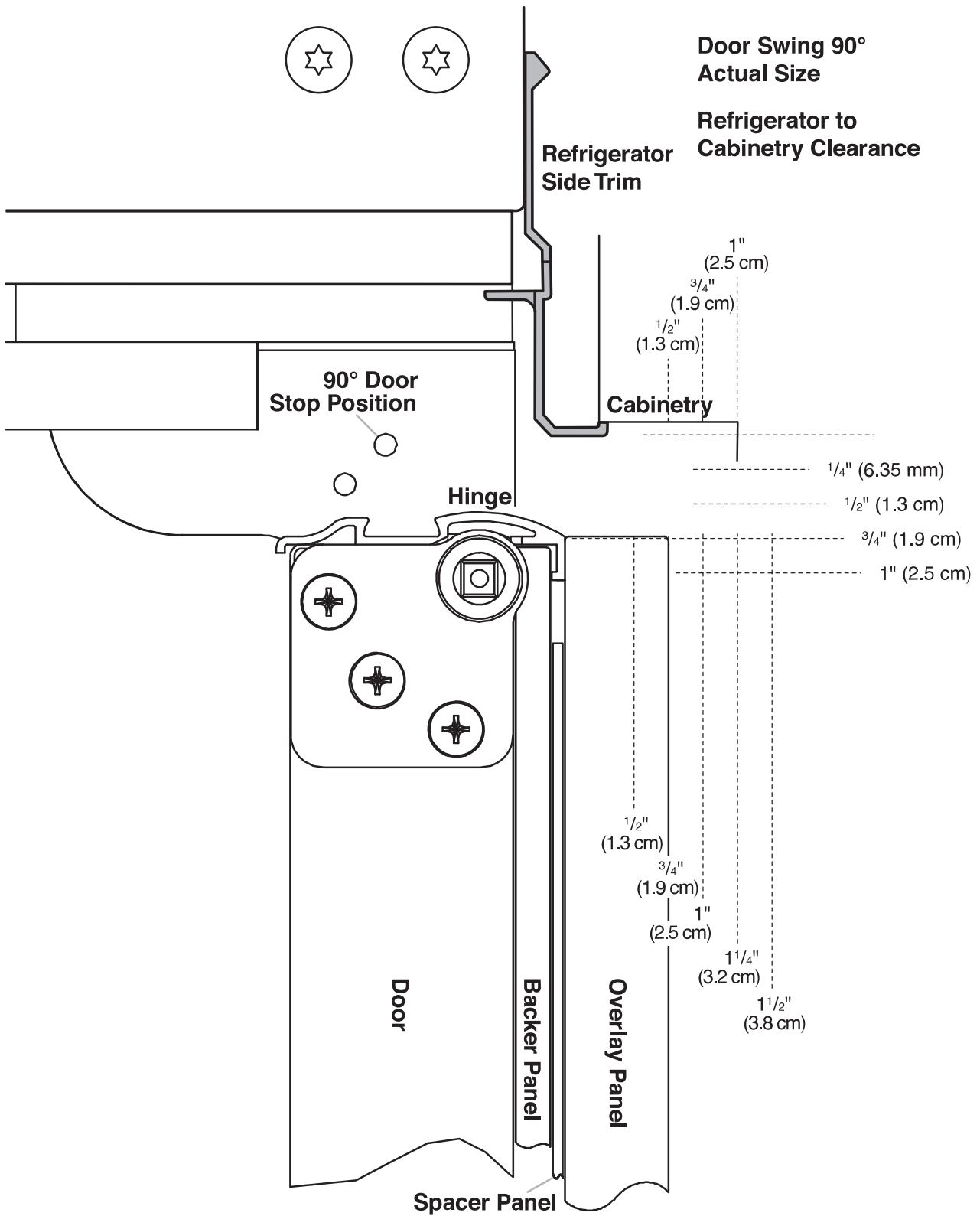
# Overlay Series Door Panel and Cabinetry Clearance

The custom door panels and adjacent cabinetry must be designed so that there is sufficient clearance for the doors to swing open. If the refrigerator is to be installed close to the wall, see "Door Swing 90°" on next page.



**NOTE:** For Overlay Series models, rout the hinge side of the custom door panels to a radius that is equal to at least half the thickness of the panel if a 130° door swing is desired. See "Adjust Doors."

When the doors are closed the refrigerator will extend beyond the face of the adjacent cabinetry to some degree.



Allow a minimum of 5" (12.7 cm) of space between the side of the refrigerator and a corner wall. More clearance may be needed if thicker custom panels or custom handles are used. Do not overlook baseboards.

# Overlay Series Custom Panels and Handle Kits

Custom overlay panels allow you to blend the exterior of your refrigerator into the overall kitchen décor, and to use custom handles for additional design flexibility.

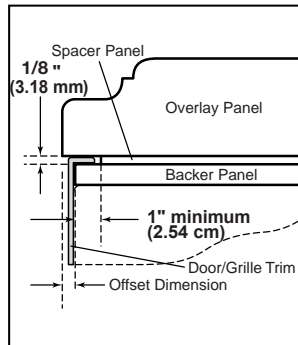
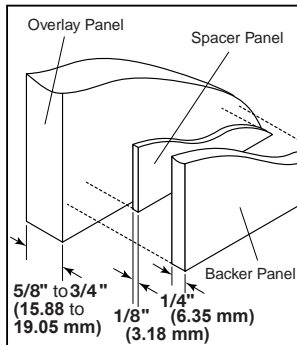
The custom panels must have backer panels attached in order to mount them to the refrigerator. It is most common to work with three panels, as shown in the following graphic: a decorative overlay panel, a 1/8" (3.18 mm) spacer panel or spacer strips and a 1/4" (6.35 mm) backer panel.

In some cases, your cabinet manufacturer may choose to work with one panel routed for the different dimensions. Follow these panel dimension and placement instructions to be sure that the custom overlay panels will fit properly.

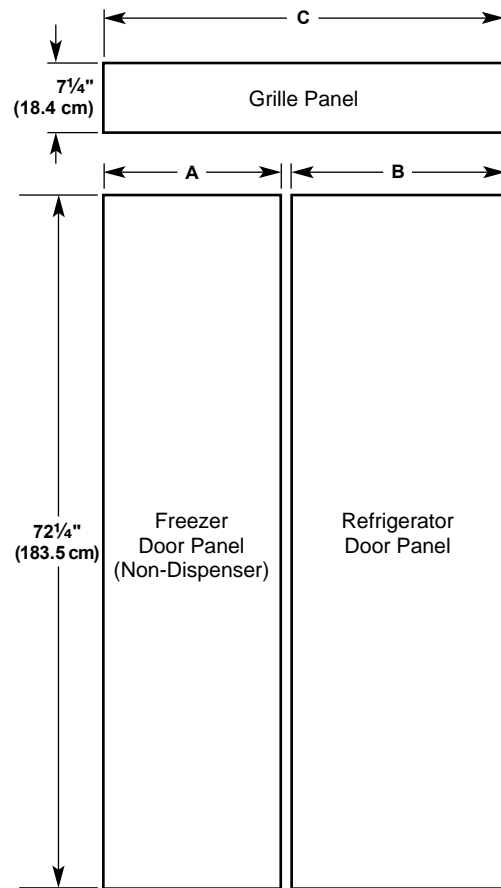
**IMPORTANT:**

- The weight of the refrigerator door overlay panel cannot exceed 50 lbs (23 kg).
- The weight of the freezer door overlay panel cannot exceed 40 lbs (18.1 kg).
- The weight of the top grille overlay panel cannot exceed 10 lbs (4.5 kg).

To minimize panel weight, you may use 2" (5.08 cm) spacer strips around the perimeter in place of full-sheet solid spacer panels. The spacer strips must be set in at least 1" (2.54 cm) from the top, bottom and sides edges of the backer panel. If you use spacer strips, it is also recommended that you use two 2" (5.08 cm) strips horizontally centered for added support.



## Decorative Overlay Panel



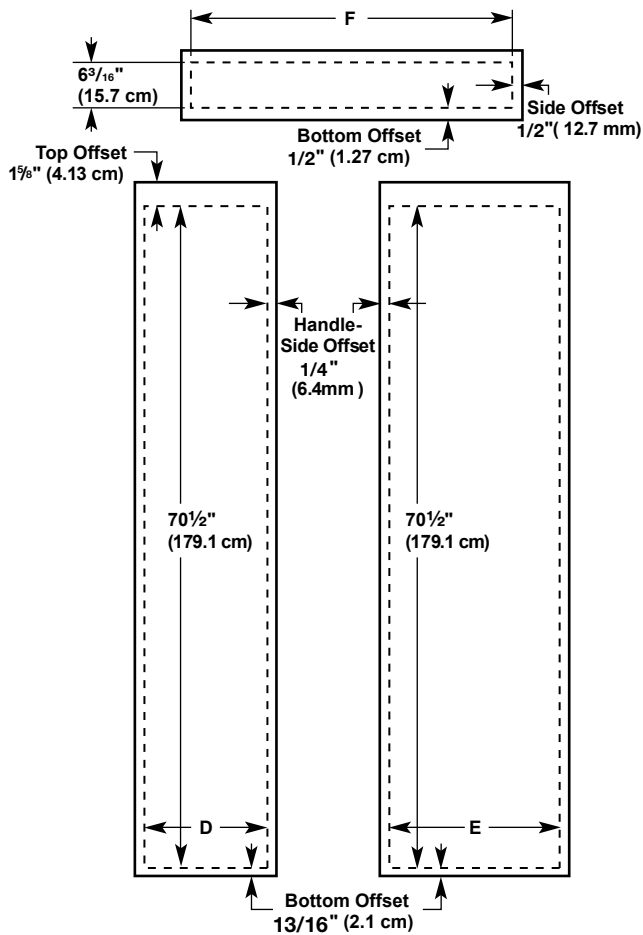
Model	A	B	C
42	17 1/4" (43.82 cm)	23 1/4" (59.06 cm)	40 3/4" (103.51 cm)
48	19 3/4" (50.17 cm)	26 3/4" (67.95 cm)	46 3/4" (118.75 cm)



## Backer Panels

### NOTE:

- Dashed lines represent placement of backer panels on overlay panels.
- Illustration shows backer panels placed on decorative overlays.



Model	D	E	F
42	16 <sup>3</sup> / <sub>4</sub> " (42.55 cm)	22 <sup>3</sup> / <sub>4</sub> " (57.79 cm)	39 <sup>3</sup> / <sub>4</sub> " (100.97 cm)
48	19 <sup>1</sup> / <sub>4</sub> " (48.90 cm)	26 <sup>1</sup> / <sub>4</sub> " (66.68 cm)	45 <sup>3</sup> / <sub>4</sub> " (116.21 cm)

## Overlay Series Door Handle Kits

The following handle style is available. Contact your KitchenAid dealer or KitchenAid Parts and Accessories at **1-800-442-9991**. In Canada, call **1-800-807-6777**.



*Knurl grip handle with chrome endcaps - W10782873*

## Stainless Series Custom Side Panels

Custom side panels may be needed when not enough space is available to have cabinets on both sides of the refrigerator or when the refrigerator is placed at the end of a cabinet run. You may choose an Inset, Flush, or Recessed Inset panel installation.

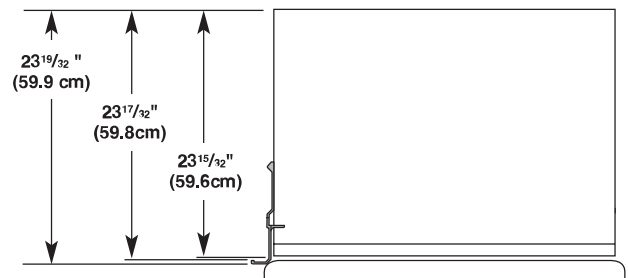
### Refrigerator and Side Trim Dimensions

The width and height of a side panel are determined by the type of installation you are planning.

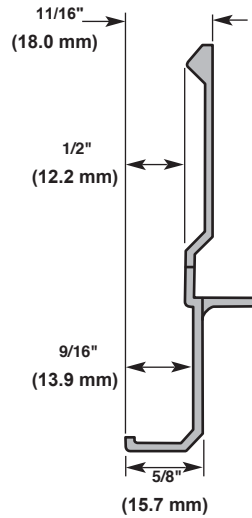
#### NOTE:

- The dimensions shown are actual product dimensions and may not reflect the needed panel installation dimensions.
- The side panel should be a minimum of 1/2" (1.27 cm) thick to avoid warping.
- If the opening depth is 25" (63.5 cm) or more, you may want to install a support board on rear wall.

### Refrigerator

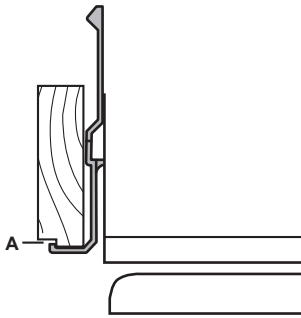


## Side Trim



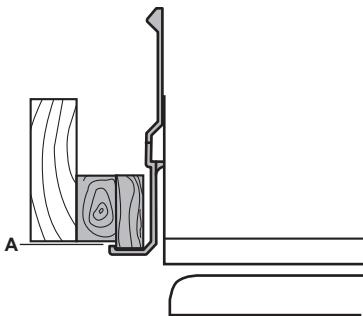
### Inset Installation Dimensions

1. Measure the distance from point A (as shown) to the back wall. Add 1/16" (1.6 mm) to this measurement to allow the side panel to fit into the trim.
2. If the panel is more than 11/32" (8.7 mm) thick, route the front edge to allow the side panel to fit into the trim.



### Recessed Inset Installation Dimensions

1. Measure the distance from point A (as shown) to back wall.
2. Route the front edge of the support board or attach a 3/8" (9.5 mm) board to hold the panel in the cabinet side trim.



# INSTALLATION INSTRUCTIONS

## Unpack the Refrigerator

### ⚠ WARNING



#### Tip Over Hazard

Refrigerator is top heavy and tips easily when not completely installed.

Keep doors taped closed until refrigerator is completely installed.

Use two or more people to move and install refrigerator.

Failure to do so can result in death or serious injury.

#### IMPORTANT:

- Do not remove the film covering until the refrigerator is in its operating location.
  - All four leveling legs must contact the floor to support and stabilize the full weight of the refrigerator.
  - Keep the cardboard shipping piece or plywood under the refrigerator until it is installed in the operating location.
1. Remove and save the literature package bag taped to the side of the refrigerator and the parts bag behind the grille. Remove the four brackets (two on each side) that attach the shipping base to the refrigerator bottom.
 

**NOTE** Do not remove tape and door bracing until the refrigerator is in its final location.
  2. If necessary, reduce the tipping radius. See "Tipping Radius" for ceiling height requirements or "Reduce Tipping Radius" for step-by-step instructions. If you do not need to reduce the tipping radius, proceed to "Move the Refrigerator into House."

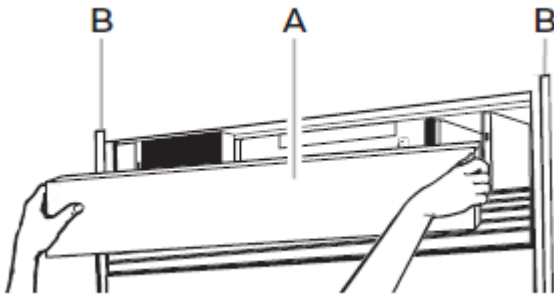
### Reduce Tipping Radius (If Required)

Before bringing the refrigerator into the home, be sure there is adequate ceiling height to stand the refrigerator upright. See "Tipping Radius" in the "Installation Requirements" section for more information.

If you do not have adequate ceiling height to stand the refrigerator upright, the tipping radius can be reduced by removing the top grille and side trims (see the following chart).

Model	Reduced Tipping Radius
36	89" (225.9 cm)
42	90 1/2" (229.9 cm)
48	91 1/4" (231.8 cm)

1. Grasp both ends of the top grille.
2. Push the top grille straight up; then pull straight out. Lay the grille on a soft surface.



A. Top grille  
B. Cabinet side trim

3. Remove the 6 screws attaching each cabinet side trim to the refrigerator and remove the side trims.

## Move the Refrigerator into House

### ⚠ WARNING



#### Tip Over Hazard

Refrigerator is top heavy and tips easily when not completely installed.

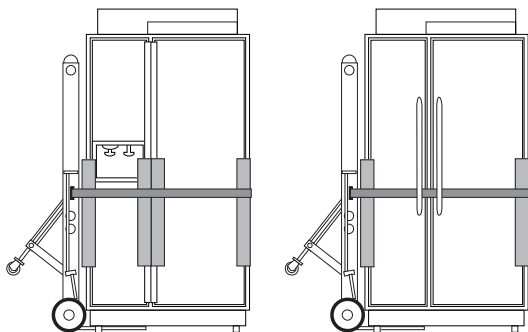
Keep doors taped closed until refrigerator is completely installed.

Use two or more people to move and install refrigerator.

Failure to do so can result in death or serious injury.

1. Place an appliance dolly under the left side of the refrigerator as shown. Place the corner posts from the packing materials over the trims as appropriate. Slowly tighten the strap.

**NOTE:** Pass the dolly strap under the handles for the Stainless Series.



2. Place pieces of the shipping carton on the floor when rolling the dolly and refrigerator into the house. Move the refrigerator close to the built-in opening.

3. Place top of cardboard carton or plywood under refrigerator.
4. Stand the refrigerator up. First, place the left bottom edge of the refrigerator on the floor, stand the refrigerator upright and then lower the right-hand side of the refrigerator to the floor.
5. Reassemble the trim and top grille after the dolly has been removed from the refrigerator.

## Install Anti-Tip Boards

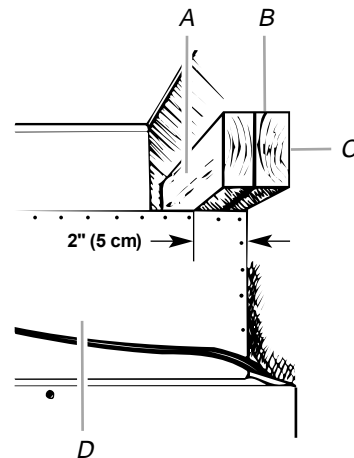
### IMPORTANT:

- If a solid soffit is not available, anti-tip boards must be installed.
- It is recommended that boards be installed before the refrigerator is installed.
- Boards must be long enough to fully cover the width of the compressor cover.
- Place the boards so that the bottom surfaces of the boards are 84" (213 cm) from the floor.
- During installation, raise the refrigerator up until the top of the refrigerator is making contact with the bottom of the anti-tip boards. Do not crush the compressor cover when raising the rear leveling legs.

**NOTE:** The foam gasket, on top of the compressor cover, will compress to fit under the anti-tip board(s). There is no need to trim the gasket.

### To Install Anti-tip Boards

1. Mark the stud locations on rear wall.
2. Securely attach two 2" x 4" x 32" (5 cm x 10 cm x 81 cm) boards to wall studs behind refrigerator. Use six #8 x 3" (7.6 cm) (or longer) wood screws. The wood screws must be screwed into the studs at least 1½" (3.8 cm). The boards must overlap the compressor cover.



- A. Center board 1/4" (6.35 mm) max. above refrigerator  
B. Two 2" x 4" x 32" (5 cm x 10 cm x 81 cm) boards  
C. Attach to studs with six #8 x 3" (7.6 cm) screws  
D. Compressor cover

## Connect the Water Supply

Read all directions before you begin.

### IMPORTANT:

- If you turn the refrigerator on before the water line is connected, turn the ice maker OFF.
- Connect to potable water supply only.

Do not use with water that is microbiologically unsafe or of unknown quality without adequate disinfection before or after the system. Systems certified for cyst reduction may be used on disinfected waters that may contain filterable cysts.

## Connect to Water Line

### Parts Needed

- Minimum 7 ft (2.13 m) flexible, codes-approved water supply line.

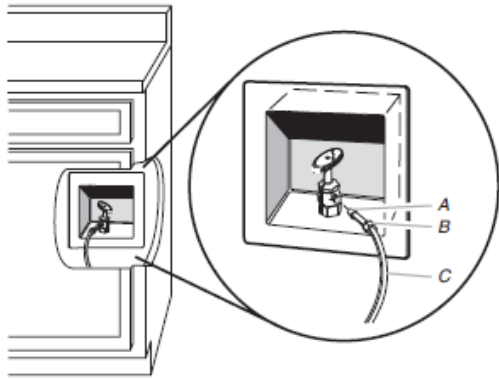
### Style 1 – Shutoff Valve Connection

**NOTE:** If your water line connection does not look like Style 1, see “Style 2 — Copper Line Connection.”

- Unplug refrigerator or disconnect power supply.

#### IMPORTANT:

- There is not enough clearance to achieve a flush installation if a water shutoff valve is located in the wall behind the refrigerator. The water shutoff should be located in the base cabinet on either side of the refrigerator.
  - Before attaching the tubing to shutoff valve, flush the main water supply line to remove particles and air in the water line. Allow enough flow so that water becomes clear. Flushing the water line may help avoid filters and/or water valves from becoming clogged.
- Connect the flexible, codes-approved water supply line to the water shutoff valve by threading the provided nut onto the shutoff valve as shown.



A. Bulb  
B. Nut  
C. Water tubing

- Place the end of the tubing into a bucket, and turn shutoff valve ON.
- Check for leaks. Tighten any nuts or connections (including connections at the valve) that leak.

### Style 2 — Copper Line Connection

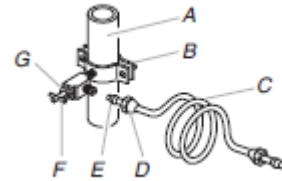
**NOTE:** If there is a water supply line that meets the specifications in “Water Supply Requirements,” proceed to “Connecting to Refrigerator.” If not, use the following instructions to connect to the household cold water supply.

- Unplug refrigerator or disconnect power.
- Turn OFF main water supply. Turn ON nearest faucet long enough to clear line of water.
- Locate a 1/2" to 1 1/4" (1.3 cm to 3.18 cm) vertical cold water pipe near the refrigerator.

#### IMPORTANT:

- Make sure it is a cold water pipe.
- Horizontal pipe will work, but drill on the top side of the pipe, not the bottom. This will help keep water away from the drill and keep normal sediment from collecting in the valve.

- Determine the length of copper tubing you need. Measure from the connection on the refrigerator to the water pipe. Add 7 ft (2.1 m) to allow for cleaning. Use 1/4" (6.35 mm) O.D. (outside diameter) copper tubing. Be sure both ends of copper tubing are cut square.
- Using a cordless drill, drill a 1/4" (6.35 mm) hole in the cold water pipe you have selected.



A. Cold water pipe  
B. Pipe clamp  
C. Copper tubing  
D. Compression nut  
E. Compression sleeve  
F. Shutoff valve  
G. Packing nut

- Fasten the shutoff valve to the cold water pipe with the pipe clamp. Be sure the outlet end is solidly in the 1/4" (6.35 mm) drilled hole in the water pipe and that the washer is under the pipe clamp. Tighten the packing nut. Tighten the pipe clamp screws slowly and evenly so washer makes a watertight seal.

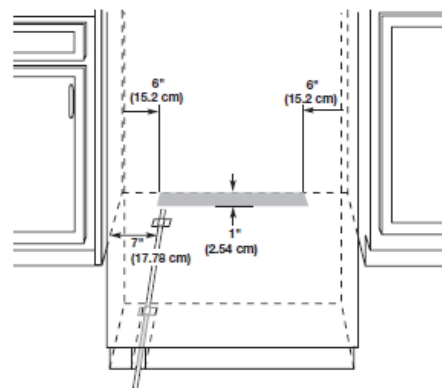
**IMPORTANT:** Before attaching the tubing to shutoff valve, flush the main water supply line to remove particles and air in the water line. Allow enough flow so that water becomes clear. Flushing the water line may help avoid filters and/or water valves from becoming clogged.

- Slip the compression sleeve and compression nut on the copper tubing as shown. Insert the end of the tubing into the outlet end squarely as far as it will go. Screw compression nut onto outlet end with adjustable wrench. Do not overtighten the clamp or the sleeve. This will crush the copper tubing.
- Turn off the shutoff valve on the water pipe. Coil the copper tubing.
- Connect the flexible, codes-approved water supply line to the water shutoff valve by threading the provided nut onto the shutoff valve.
- Place the end of the tubing into a bucket, and turn shutoff valve ON.
- Check for leaks around the saddle valve. Tighten any nuts or connections (including connections at the valve) that leak.

## Connect to Refrigerator

### Parts Supplied

- 1/4" to 1/4" (6.35 mm to 6.35 mm) male-to-male coupling

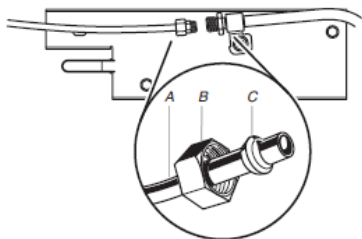


**NOTE:** The flexible, codes-approved water supply line should connect to the supply valve through the floor.

1. Unplug the refrigerator or disconnect power.
2. Connect the 7 ft (2.13 m) flexible codes-approved water tube to the water supply valve.
3. Flush the main water supply line to remove particles and air in the water line. Allow enough flow so that water becomes clear.
4. Tape the 7 ft (2.13 m) flexible codes-approved water supply line to the floor, 7" (17.78 cm) from the left side of the refrigerator. Tape along the length of the tubing, which will allow it to pass beneath the refrigerator without interference.  
**NOTE:** Allow a minimum of 26" (66.04 cm) of flexible codes-approved water supply line to be loose at the front of the refrigerator for connecting to the refrigerator.
5. Connect the 7 ft (2.13 m) flexible codes-approved water supply line to the refrigerator.

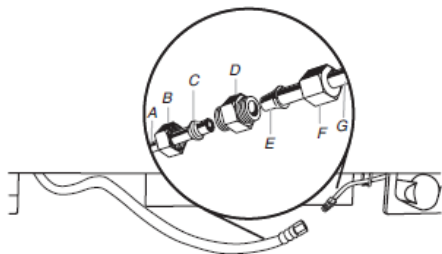
**NOTE:** If the main water shutoff valve is behind the refrigerator, a secondary water shutoff valve may be installed in line with the water supply line at the front of the product.

**Overmould Coupling (on some models)**



- A. Household water line
- B. Nut (purchased)
- C. Ferrule (purchased)

**Discrete Coupling (on some models)**



- A. Household water line
- B. Nut (purchased)
- C. Ferrule (purchased)
- D. Coupling
- E. Bulb
- F. Nut
- G. Refrigerator water tubing

6. Turn on the water supply valve and check all connections for leaks.

## Plug in Refrigerator

### ⚠ WARNING



**Electrical Shock Hazard**

- Plug into a grounded 3 prong outlet.**
- Do not remove ground prong.**
- Do not use an adapter.**
- Do not use an extension cord.**
- Failure to follow these instructions can result in death, fire, or electrical shock.**

If the supply cord is damaged, it must be replaced by the manufacturer or its service agent or a similar qualified person. Do not use a cord that shows cracks or abrasion damage along its length or at either the plug or connection end.

1. Set control switch at top of cabinet to the OFF position.
2. Plug into a grounded 3 prong outlet.

## Move Refrigerator to Final Location

### ⚠ WARNING



**Tip Over Hazard**

- Refrigerator is top heavy and tips easily when not completely installed.**
- Keep doors taped closed until refrigerator is completely installed.**
- Use two or more people to move and install refrigerator.**
- Failure to do so can result in death or serious injury.**

**IMPORTANT:** To avoid floor damage, make sure levelers are raised (not touching floor) and refrigerator is on rollers before moving.

1. Place top of cardboard carton or plywood under refrigerator. Remove dolly.
2. Do not remove film or cover.
3. Move the refrigerator straight back and evenly into the opening. Be sure that the refrigerator side trims are not interfering with the door opening. Also, be sure that the water tubing is not kinked and the power supply cord is on top of the refrigerator.

## Level and Align Refrigerator

### ⚠ WARNING



#### Tip Over Hazard

Refrigerator is top heavy and tips easily when not completely installed.

Keep doors taped closed until refrigerator is completely installed.

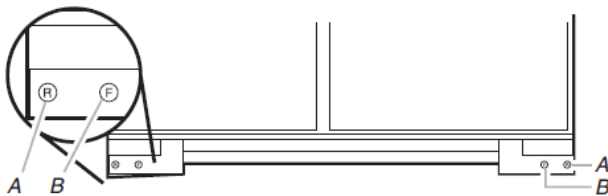
Use two or more people to move and install refrigerator.

Failure to do so can result in death or serious injury.

**IMPORTANT:** All four leveling legs must contact the floor to support and stabilize the full weight of refrigerator. Rollers are for moving the refrigerator, not for permanent support.

After moving the refrigerator to its final location:

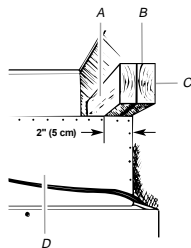
1. Use a 5/16" socket driver to turn the leveling bolts clockwise to extend the legs to the floor as shown. The rollers should be off the floor.



A. Rear leveling bolt  
B. Front leveling bolt

2. Adjust the leveling legs to level and align the refrigerator from left to right and front to back so that the refrigerator is level and aligned with the cabinetry. The cabinetry surface must be plumb for the ideal fit of the refrigerator side trim.
3. Continue adjusting all of the leveling legs to raise the refrigerator until the top is within at least 1" (2.54 cm) of the top soffit.

**NOTE:** If an anti-tip board has been used, adjust the leveling legs until the top of the refrigerator is within 1/4" (6.35 mm) of the bottom of the anti-tip board as shown. Do not crush the compressor cover.



A. Two 2" x 4" x 32" (5 cm x 10 cm x 81 cm) boards  
B. Attach to studs with six #8 x 3" (7.6 cm) screws  
C. Compressor cover  
D. Distance from bottom of anti-tip board to floor

4. After leveling the refrigerator, again use a straight edge or 4 ft level across the front of the refrigerator installation blocks to the cabinets to check that the refrigerator is still flush.

## Install Overlay Series Custom Panels

### ⚠ WARNING

#### Excessive Weight Hazard

Use two or more people to move and install panels.

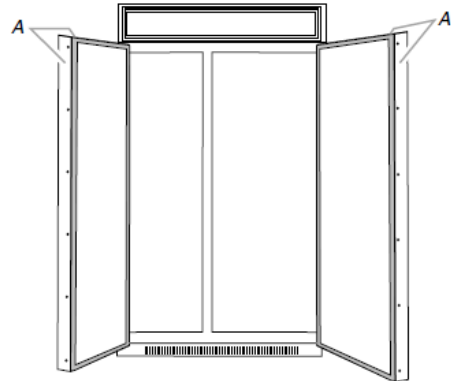
Failure to do so can result in back or other injury.

#### IMPORTANT:

- Install the custom handles prior to installing the panels on the refrigerator. For more information on KitchenAid custom handle selection, refer to the KitchenAid Catalog, visit [www.kitchenaid.com](http://www.kitchenaid.com), or call 1-800-442-9991. In Canada, visit [www.KitchenAid.ca](http://www.KitchenAid.ca), or call 1-800-807-6777.
- Create custom door overlay panels according to the specifications in the "Overlay Series Custom Panels" section.
- KitchenAid is not responsible for the removal or addition of molding or decorative panels that would not allow access to the refrigerator for service.

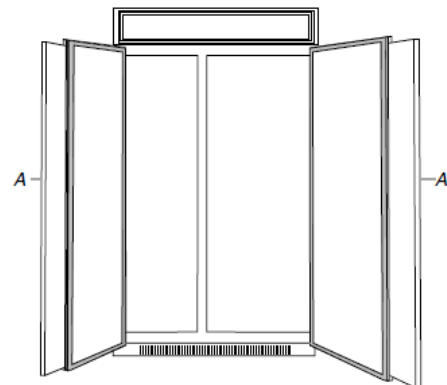
### Door Panel Installation

1. Remove all tape and door bracing from the refrigerator and freezer doors.
2. Open the refrigerator and freezer compartment doors.
3. Remove the handle-side and top trims.



A. Trims

4. Slide the custom panels into the bottom and hinge side trims on the refrigerator compartment and freezer compartment doors, making sure that the backer panel fits into the hinge side trims.

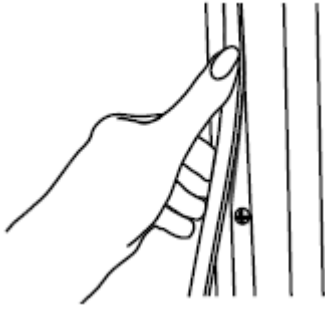


A. Panels

5. Reinstall the handle-side and top trims.



- Remove the skin from the screw covers. Slide or snap the screw covers into the handle trim section.



- Check refrigerator level and alignment. Adjust if needed.

## Adjust Doors

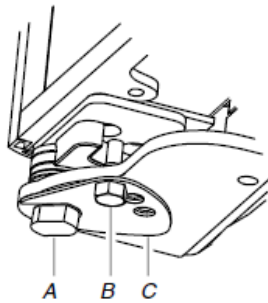
### Door Height Adjustment

Use the following steps to adjust the door height, up or down, after the doors have been leveled.

- Open the freezer or refrigerator door. Locate the bottom hinge and remove the door stop screw.

#### Stainless Models

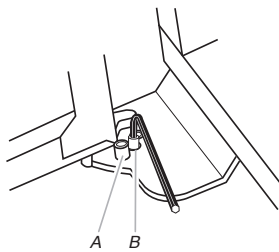
Remove the door stop screw from the bottom side of the hinge with a 3/8" open end wrench.



- A. Bushing
- B. Door stop screw
- C. Locking plate

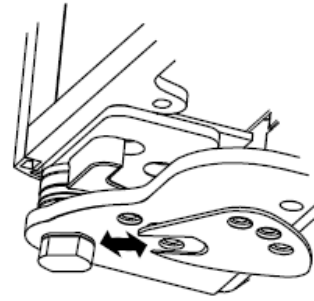
#### Overlay Models

Remove the 2 door stop screws: one from the bottom side using a 3/8" open end wrench and one from the top side using a 5/32" hex key.



- A. Door stop screw from bottom
- B. Door stop screw from top (110°)

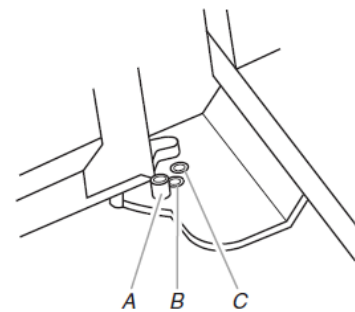
- Remove the locking plate as shown.



- Turn the bushing located underneath the bottom of the hinge using a 1/2" open end wrench. Turning the bushing to the left will lower the door. Turning the bushing right will raise the door.
- After adjusting, check the doors to make sure they are even at the top and bottom. If the doors are not even, continue to turn the bushing to adjust the door height.
- Replace the locking plate.
- Turn the bushing slightly to align the hinge and locking plate screw holes.
- Replace the door stop screw or screws and tighten.
- IMPORTANT:** Do not place the door stop screw in the 130° position on Overlay Series models unless the custom panels have been routed on the hinge side. See "Overlay Series Door Panel and Cabinetry Clearance."
- Recheck to make sure the doors are aligned and even.

### Door Swing Adjustment

- Check that the refrigerator door can open freely. If the door opens too wide, remove the door stop screw or screws (depending on your model) from the bottom hinge. See "Door Height Adjustment" earlier in this section.
- Hold the door open to a position that is less than 90°.
- Replace the door stop screw or screws in the bottom hinge and tighten.



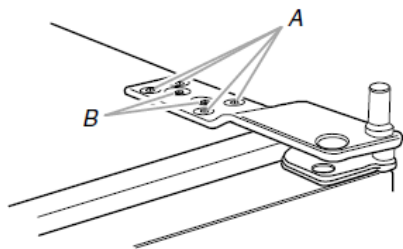
- A. 130°
- B. 110°
- C. 90°

### Door-to-Door or Door-to-Refrigerator Trim Adjustment

- Loosen, but do not remove, the four Torx®† 27 flat-head mounting screws. Remove and discard the two 1/4" hex-head mounting screws.
- Adjust the top hinge of either door to align it with the other door or the refrigerator trim.



3. Tighten the four Torx®† 27 flat-head mounting screws to a torque of approximately 100 inch-pounds (11.3 Nm).



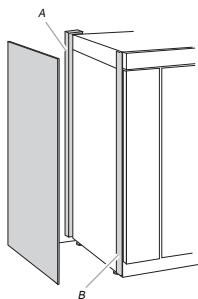
A. Torx® 27 flat-head mounting screws  
B. 1/4" hex-head mounting screws

## Install Side Panel

If the built-in area depth is 25" (63.5 cm) or more, the side panels can be installed inside the side trim or attached to the outside of the side trim.

**IMPORTANT:** KitchenAid is not responsible for the removal or addition of molding or decorative panels that would not allow access to the refrigerator for service.

1. For the inside side trim piece, slide the front edge of the routed side panel into the trim piece.
2. Nail the rear edge of the panel to the support board.



A. Support board (mounted to back wall)  
B. Cab side trim

## Install Base Grille

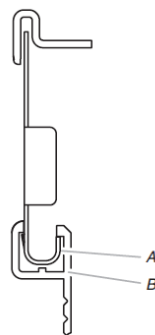
There are two pieces to the base grille to allow for a custom fit: the base grille itself and the skirt. The skirt can be added to the base grille in order to extend it all the way to the floor.

1. To see whether the skirt is needed, place the base grille into position. Do not attach the base grille to the refrigerator. Measure the distance between the bottom of the base grille and the floor. The gap must be a minimum of 1/2" (1.27 cm) in order to add the skirt.

**NOTE:** If the gap measures less than 1/2" (1.27 cm), skip steps 3 and 4 of the instructions, and install the base grille only.

2. Remove the film from the base grille.

3. Snap the skirt onto the base grille.



A. Base grille  
B. Skirt

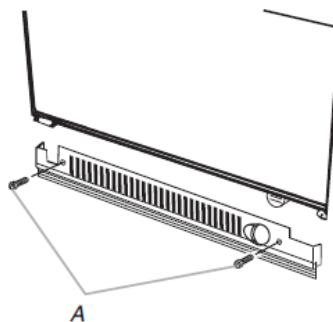
4. Trim the skirt by scoring the proper "V" groove with a utility knife. Break the skirt at the score line.



A. "V" groove

5. Using the 2 screws, attach the base grille assembly to the refrigerator as shown.

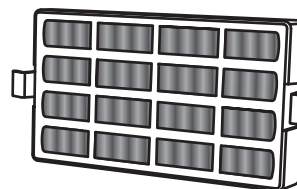
**NOTE:** Drive in the right side screw first.



A. Screws (2)

## Install Odor Absorber (on some models)

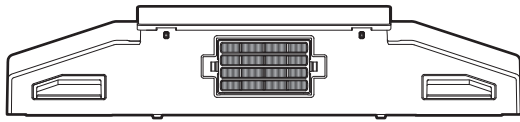
On some models, your refrigerator's accessory packet includes an odor absorber, which must be installed prior to use. On some models, the odor absorber is already installed at the factory.



The odor absorber reduces the buildup of odors. This helps to maintain a cleaner environment inside the refrigerator.

## Installing the Odor Absorber (on some models)

The absorber should be installed behind the vented door, which is located (depending on your model) along either the rear or left interior wall near the top of the refrigerator compartment.



1. Remove the odor absorber from its packaging.
2. Snap the absorber in to place.
3. Pinch the tabs on the odor absorber to remove the absorber.

## Replacing the Odor Absorber

The disposable odor absorber should be replaced every 6 months, when the status indicator has completely changed from white to red.

To order a replacement odor absorber, see “Accessories” in the User Instructions or User Guide.

- Remove the old odor absorber by squeezing in on the side tabs.
- Remove the old status indicator.
- Install the new odor absorber and status indicator using the instructions in the previous sections.

## Complete Installation

1. Turn the water supply line valve to the “Open” position.
2. Turn the refrigerator switch to the ON position. See “Power On/Off Switch” in the Use & Care Guide for instructions. Wait a few minutes. Check the water line connections for leaks.
3. Remove all boxes, parts packages and packing materials from the interior of the refrigerator. See the “Cleaning” section in the Use & Care Guide for instructions. Remove the film and cardboard from the grille and doors or door frame, depending on your model.
4. Install the shelves and bins in the refrigerator and freezer compartments.
5. The controls are preset at the factory to the midpoint setting. Make sure the compressor is operating properly and that all the lights are working.
6. Flush the water system before use. See “Water System Preparation.”

To get the most efficient use from your new built-in refrigerator, read the Use & Care Guide. Keep Installation Instructions and Use & Care Guide near the built-in refrigerator for easy reference.

## Water System Preparation

Please read before using the water system. Follow the directions specific to your model.

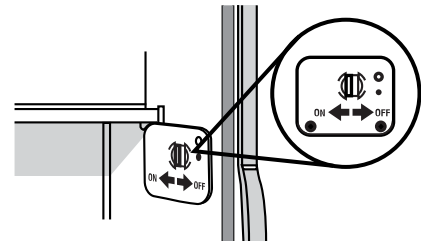
### Style 1 (Dispenser Models)

**IMPORTANT:** After connecting the refrigerator to a water source or replacing the water filter, follow the steps below to make sure that the water system is properly cleaned. This will flush air from the filter and water dispensing system, and prepare the water filter for use.

Do not use with water that is microbiologically unsafe or of unknown quality without adequate disinfection before or after the system. Systems certified for cyst reduction may be used on disinfected waters that may contain filterable cysts.

**NOTE:** If your model has a base grille filter system, make sure the base grille filter is properly installed and the cap is in the horizontal position.

1. Open the freezer door and turn off the ice maker. The On/Off switch is located on the top right side of the freezer compartment. Move the switch to the OFF (right) setting as shown.



2. Use a sturdy container to depress and hold the water dispenser lever for 5 seconds, then release it for 5 seconds. Repeat until water begins to flow. Once water begins to flow, continue depressing and releasing the dispenser lever (5 seconds on, 5 seconds off) until a total of 3 gallons (12 L) has been dispensed. This will flush air from the filter and water dispensing system, and prepare the water filter for use. Additional flushing may be required in some households.

**NOTE:** As air is cleared from the system, water may spurt out of the dispenser.

3. Open the freezer door and turn on the ice maker. Move the switch to the ON (left) position.

**NOTE:**

- Allow 24 hours to produce the first batch of ice.
- Discard the first three batches of ice produced.
- Allow 3 days to completely fill ice container.
- Depending on your model, you may want to select the maximum ice feature to increase the production of ice.

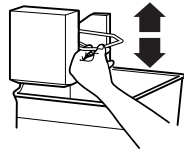
### Style 2 (Non-Dispenser Models)

**IMPORTANT:** After connecting the refrigerator to a water source or replacing the water filter, fill and discard two full containers of ice to prepare the water filter for use, before using the ice.

Do not use with water that is microbiologically unsafe or of unknown quality without adequate disinfection before or after the system. Systems certified for cyst reduction may be used on disinfected waters that may contain filterable cysts.

**NOTE:** If your model has a base grille filter system, make sure the base grille filter is properly installed and the cap is in the horizontal position.

1. Turn on the ice maker. Lower the wire shutoff arm as shown. Please refer to “Ice Maker and Storage Bin” for further instructions on the operation of your ice maker.



**NOTE:**

- Allow 24 hours to produce the first batch of ice.
- Allow 3 days to completely fill ice container.
- Depending on your model, you may want to select the maximum ice feature to increase the production of ice.

## REFRIGERATOR FEATURES

### Water and Ice Dispensers

Please read before using the water system. Follow the directions specific to your model.

#### Style 1 (Dispenser Models)

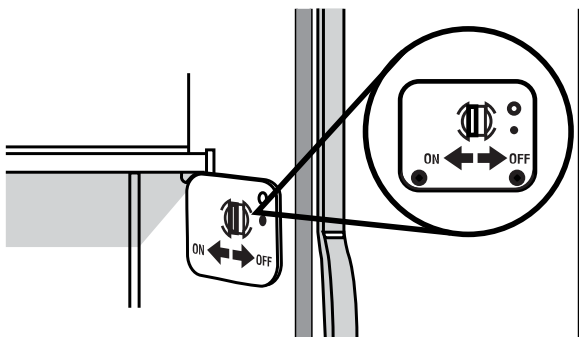
**IMPORTANT:**

- After connecting the refrigerator to a water source or replacing the water filter, follow the steps below to make sure that the water system is properly cleaned. This will flush air from the filter and water dispensing system, and prepare the water filter for use.
- Connect to potable water supply only.

Do not use with water that is microbiologically unsafe or of unknown quality without adequate disinfection before or after the system. Systems certified for cyst reduction may be used on disinfected waters that may contain filterable cysts.

**NOTE:** If your model has a base grille filter system, make sure the base grille filter is properly installed and the cap is in the horizontal position.

1. Open the freezer door and turn off the ice maker. The ON/OFF switch is located on the top right side of the freezer compartment. Move the switch to the OFF (right) setting as shown.



2. Use a sturdy container to depress and hold the water dispenser lever for 5 seconds, then release it for 5 seconds. Repeat until water begins to flow. Once water begins to flow, continue depressing and releasing the dispenser lever (5 seconds on, 5 seconds off) until a total of 3 gallons (12 L) has been dispensed. This will flush air from the filter and water dispensing system and prepare the water filter for use. Additional flushing may be required in some households.

**NOTE:** As air is cleared from the system, water may spurt out of the dispenser.

3. Open the freezer door and turn on the ice maker. Move the switch to the ON (left) position.

**Notes:**

- Allow 24 hours to produce the first batch of ice.
- Discard the first three batches of ice produced.
- Allow 3 days to completely fill ice container.

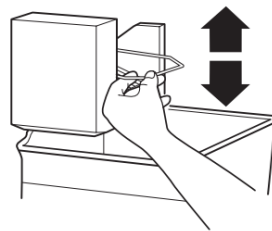
#### Style 2 (Non-Dispenser Models)

**IMPORTANT:** After connecting the refrigerator to a water source or replacing the water filter, fill and discard two full containers of ice to prepare the water filter for use, before using the ice.

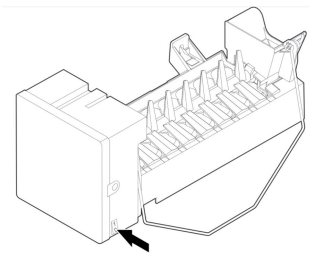
Do not use with water that is microbiologically unsafe or of unknown quality without adequate disinfection before or after the system. Systems certified for cyst reduction may be used on disinfected waters that may contain filterable cysts.

**NOTE:** If your model has a base grille filter system, make sure the base grille filter is properly installed and the cap is in the horizontal position.

1. For icemakers with a switch, use the switch to turn ON or Off the icemaker.



*Without switch*



*With switch*

**Notes:**

- Allow 24 hours to produce the first batch of ice.
- Allow 3 days to completely fill ice container.
- Depending on your model, you may want to select the maximum ice feature to increase the production of ice.

**IMPORTANT:**

- After connecting the refrigerator to a water source or replacing the water filter, flush the water system. Use a sturdy container to depress and hold the water dispenser lever for 5 seconds, then release it for 5 seconds. Repeat until water begins to flow. Once water begins to flow, continue depressing and releasing the dispenser lever (5 seconds on, 5 seconds off) until a total of 3 gallons (12 L) has been dispensed. This will flush air from the filter and water dispensing system, and prepare the water filter for use. Additional flushing may be required in some households.

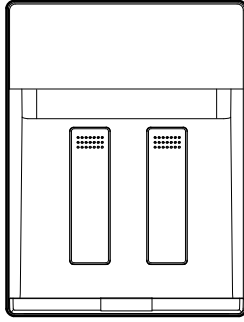
**NOTE:** As air is cleared from the system, water may spurt out of the dispenser.

- Allow 24 hours for the refrigerator to cool down and chill water.
- Allow 24 hours to produce the first batch of ice. Discard the first three batches of ice produced.
- The dispensing system will not operate when the freezer door is open.
- Depending on your model, your water and ice dispensers may have one or more of the following features: A dispenser tray, a special light that turns on when you use the dispenser, or a lock option to avoid unintentional dispensing.

## Water Dispenser

### To Dispense Water:

1. Press a sturdy glass against the water dispenser pad.



#### Notes:

- Water will only dispense when left door is closed and will stop dispensing when door is opened.
- It is NOT possible to dispense both water and ice at the same time. The paddle that is pressed first will be the one that dispenses.

2. Remove the glass to stop dispensing.

**NOTE:** Water may have an off-flavor if you do not use the dispenser periodically. Dispense enough water every week to maintain a fresh supply.

## Ice Dispenser

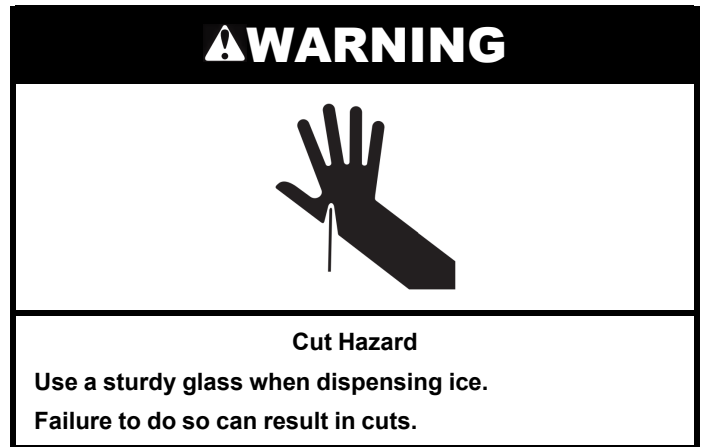
Ice dispenses from the ice maker storage bin in the freezer when the dispenser pad is pressed. The dispensing system will not operate when the freezer door is open. To turn off the ice maker, see "Ice Maker and Storage Bin."

Your ice maker can produce both crushed and cubed ice. The display screen reads "CRUSHED" or "CUBED," indicating which type is selected. To change the setting, press the ICE button before dispensing ice.

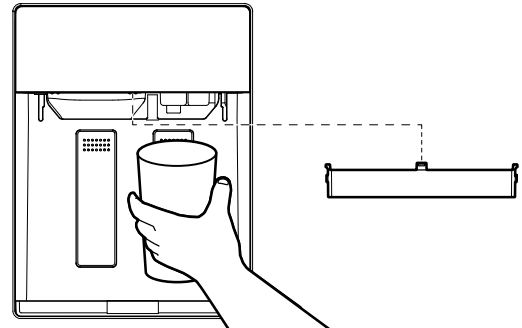
For crushed ice, cubes are crushed before being dispensed. This may cause a slight delay when dispensing crushed ice. Noise from the ice crusher is normal, and pieces of ice may vary in size. When changing from crushed to cubed, a few ounces of crushed ice will be dispensed along with the first cubes.

### To Dispense Ice:

1. Press the button to select the desired type of ice.



2. Press a sturdy glass against the ice dispenser pad. Hold the glass close to the dispenser opening so ice does not fall outside of the glass.



**IMPORTANT:** You do not need to apply a lot of pressure to the pad in order to activate the ice dispenser. Pressing hard will not make the ice dispense faster or in greater quantities.

3. Remove the glass to stop dispensing.

**NOTE:** Ice may continue to dispense for up to 10 seconds after removing the glass from the pad. The dispenser may continue to make noise for a few seconds after dispensing.

### Dispenser Tray (on some models)

Some models have a tray at the bottom of the dispenser area. The tray is designed to catch small spills and is removable for easy emptying and cleaning.

**NOTE:** There is no drain in the tray.

## Ice Maker and Storage Bin

**IMPORTANT:** Flush the water system before turning on the ice maker. See “Water and Ice Dispensers.” Allow 24 hours to produce the first batch of ice. Discard the first three batches of ice produced. Allow 3 days to completely fill the ice container.

### Style 1

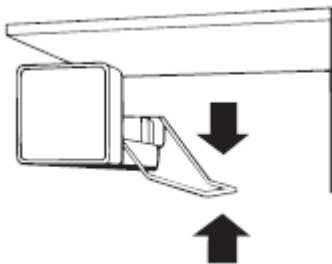
#### To Turn the Ice Maker On/Off:

The On/Off switch for the ice maker is a wire shutoff arm located on the side of the ice maker.

1. To turn the ice maker ON, simply lower the wire shutoff arm.

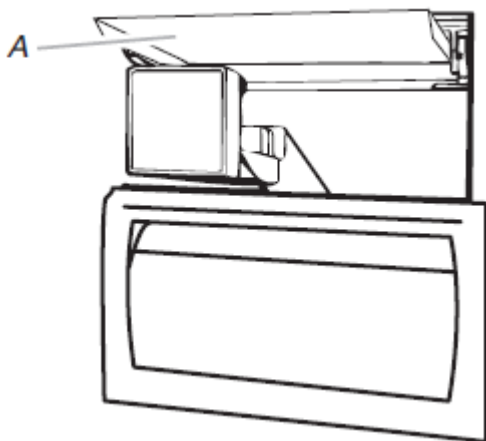
**NOTE:** Your ice maker has an automatic shutoff. As ice is made, the ice cubes will fill the ice storage bin and the ice cubes will raise the wire shutoff arm to the OFF (arm up) position.

2. To manually turn the ice maker off, lift the wire shutoff arm to the OFF (arm up) position and listen for the click to make sure the ice maker will not continue to operate.



#### To Remove and Replace the Ice Bin:

1. Flip up the covering panel.



A. Ice maker cover

2. Lift the wire shutoff arm so it clicks into the OFF (up) position. Ice can still be dispensed, but no more can be made.
3. Lift up the front of the storage bin and pull the ice bin forward.
4. Replace the bin by pushing it in all the way or the dispenser will not work. Push the wire shutoff arm down to the ON position to restart ice production. Make sure the door is closed tightly.

### Style 2

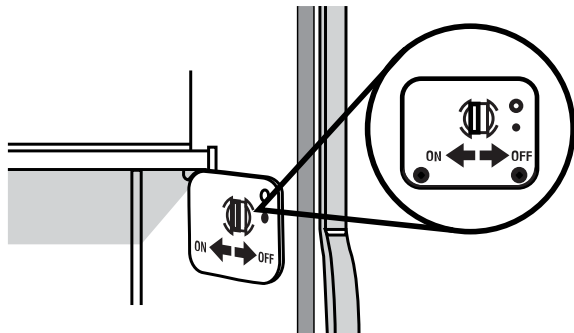
#### To Turn the Ice Maker On/Off:

The On/Off switch is located on the top right side of the freezer compartment.

1. To turn the ice maker on, slide the control to the ON (left) position.

**NOTE:** Your ice maker has an automatic shutoff. The ice maker sensors will automatically stop ice production, but the control will remain in the ON (left) position.

2. To manually turn the ice maker off, slide the control to the OFF (right) position.



#### To Remove and Replace the Ice Storage Bin:

1. Hold the base of the storage bin with both hands and press the release button to lift the storage bin up and out.

**NOTE:** It is not necessary to turn the ice maker control to the OFF (right) position when removing the storage bin. The sensor cover (“flipper door”) on the left wall of the freezer stops the ice maker from producing ice if the door is open or the storage bin is removed.

2. Replace the storage bin on the door and push down to make sure it is securely in place.



#### Clean the Ice Storage Bin

**NOTE:** It is normal for ice to stick together in the ice bin. Ice may be dispensed or used more frequently which will break up the ice. It is recommended that the ice container be emptied and cleaned as needed.

#### To clean the ice storage bin:

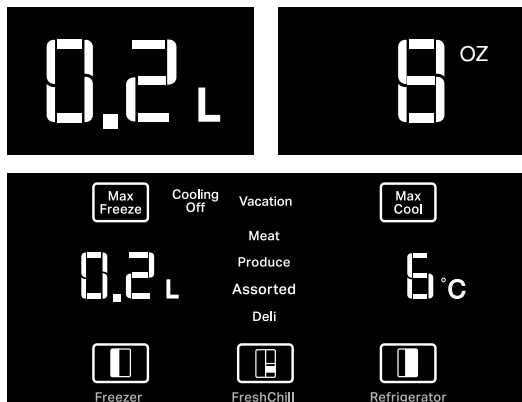
1. Empty the ice container. Use warm water to melt the ice if necessary.  
**NOTE:** Do not use anything sharp to break up the ice in the bin or bucket. This can cause damage to the ice container and the dispenser mechanism.
2. Wash ice bin with a mild detergent, rinse well and dry thoroughly. Do not use harsh or abrasive cleaners or solvents.

#### Remember

- Allow 24 hours to produce the first batch of ice. Allow 3 days to completely fill ice container.
- Discard the first three batches of ice produced to avoid impurities that may be flushed out of the system.

- The quality of your ice will be only as good as the quality of the water supplied to your ice maker.
- Avoid connecting the ice maker to a softened water supply.
- Water softener chemicals (such as salt) can damage parts of the ice maker and lead to poor quality ice. If a softened water supply cannot be avoided, make sure the water softener is operating properly and is well maintained.
- It is normal for the ice cubes to be attached at the corners. They will break apart easily.
- For **Style 1** ice maker, do not force the wire shutoff arm up or down.
- Do not store anything on top of the ice maker or in the ice storage bin/bucket.

## Setting Liters and Ounces



Hold [Max Freezer] + [FreshChill] buttons to switch between L and OZ.

When activated, the corresponding point LED is lit at FULL brightness. The LED will turn off after 10 seconds if it's not in the mode associated to the water amount mode.

The L/OZ only turns on when there is an interaction associated to water amount (eg, measured fill, calibration).

## Measured Fill

### Calibrate Measured Fill

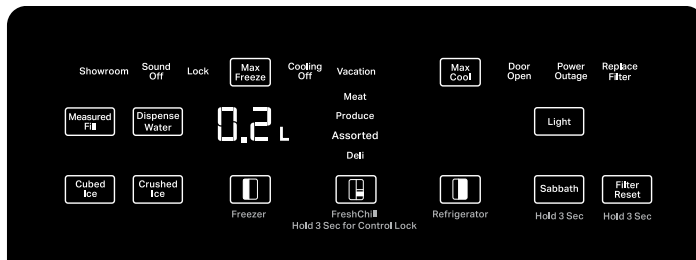
Household water pressure may affect the accuracy of the Measured Fill feature. For optimum performance of your water dispenser, you must first calibrate Measured Fill.

### Start Calibration Mode

1. Press and hold the Measured Fill button for 3 seconds to enter Calibration Mode. The button will display along with the 0.2 L or 8 oz default settings.
2. Pressing the water pad will dispense water (e.g. into a measuring cup) until the desired amount is dispensed. Releasing the water pad will stop water dispensing.

### Save and Exiting Calibration

1. If water was dispensed, pressing the Measured Fill button will save the amount dispensed, a tone will play and the calibration amount display will blink twice.
2. If no water was dispensed, Pressing the Measured Fill button will exit Calibration mode without saving the calibration amount.



**NOTE:** The amount of water you select will be dispensed. Be sure that the container is empty and can hold the entire volume. If ice is in the container, you may need to adjust your selection.

**IMPORTANT:** Low water pressure may affect the accuracy of this feature.

1. Press MEASURED FILL to turn the feature on. When the feature is on, the Measured Fill screen appears on the display.
2. To dispense water, press a sturdy glass against the water dispenser pad or place the glass below the water dispenser and press the MEASURED FILL button. Hold the glass close to the water dispenser spout to ensure that the water dispenses into the glass.
3. The Measured fill button can be pressed to loop the preset amounts. Each press advances the preset amount until the end of the options are reached. Example - 8 oz to 16 oz to 24oz, END (0.2L to 0.5L to 1.0L, END).

### NOTE:

- The dispenser will automatically turn off Measured Fill after 1 minute of inactivity. When Measured Fill is turned off, any changes you have made will be lost and all defaults will be restored.
- Most coffee cups are 4-6 oz (118-117 ml) and are not the same size as an 8 oz (237 ml) measuring cup. You may need to adjust the volume to avoid overflowing coffee cups.
- While dispensing water, the digital display will count down how much water remains to be dispensed, according to the volume you selected. The flow of water will automatically stop once the desired volume has been dispensed.

## Water Filtration System

Do not use with water that is microbiologically unsafe or of unknown quality without adequate disinfection before or after the system. Systems certified for cyst reduction may be used on disinfected waters that may contain filterable cysts.

### Water Filter Status Indicator

The water filter indicator, located on the control panel, will help you know when to change the water filter.

Replace status:

- Replace the water filter cartridge when the water filter status display changes to "Replace."

Replace Overdue status:

- When the light turns red on the control panel, this tells you that it is time to change the water filter cartridge.
- It is recommended that you replace the filter when the status light turns red or water flow to your water dispenser or ice maker decreases noticeably.

**NOTE:** If water flow to your water dispenser or ice maker decreases noticeably, change the filter sooner. The filter should be replaced at least every 6 months, depending on your water quality and usage.



When dispensing water after the Replace Filter icon is on, the Replace Filter icon blinks for the duration of dispensing. This applies for both the Replace Filter status and Replace Overdue status. Fourteen days after the Replace Filter indicator turns On, it shall enter "Replace Overdue" mode.

### Filter Reset

After changing the filter, press and hold Filter Reset button for 3 seconds. The button will no longer display once reset.

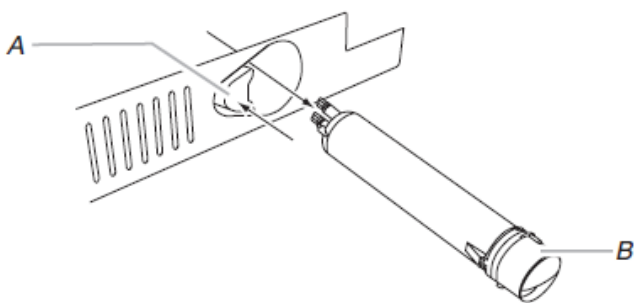
### Changing the Water Filter

The water filter is located in the base grille below the freezer compartment door. It is not necessary to remove the base grille to remove the filter.

1. Remove the filter by pressing the eject button and pulling straight out on the filter cap.

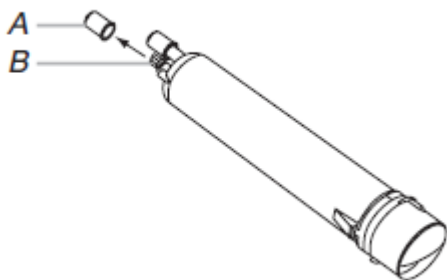
#### NOTE:

- Avoid twisting the cap when removing the filter because this could cause the cap to come off. If this occurs, replace the cap and pull the filter straight out.
- There will be water in the filter. Some spilling may occur.



A. Eject button  
B. Filter cap

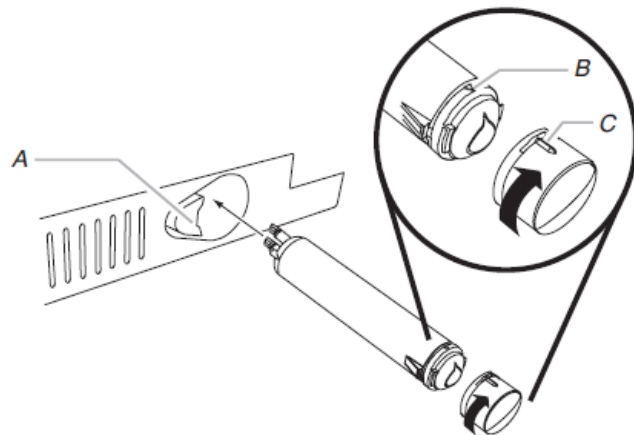
2. Remove the cap by turning it counterclockwise until it stops.  
**IMPORTANT:** Do not discard the cap. It is part of your refrigerator. Keep the cap to use with the replacement filter.
3. Align the ridge on the cap with the arrow on the new filter, and turn the cap until it snaps into place.



A. Cover  
B. O-rings

4. Remove the covers from the O-rings. Make sure that O-rings are still in place after the covers are removed.

5. Place the cap (removed in Step 2) on the new filter. Align the ridge on the cap with the arrow on the filter. Turn the cap clockwise until it snaps into place.



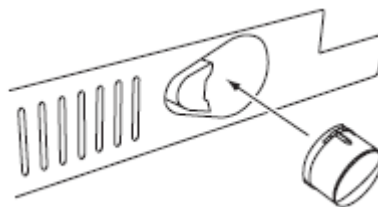
A. Eject button  
B. Arrow on filter  
C. Ridge on cap

6. Push the new filter into the opening in the base grille. As the filter is inserted, the eject button will depress. The eject button will pop back out when the filter is fully engaged.
7. Pull gently on the cap to check that the filter is securely in place.
8. Flush the water system. Depending on your model, see "Water and Ice Dispensers" or "Ice Maker and Storage Bin."

### Using the Ice Maker Without a Water Filter

You can operate the ice maker without a water filter. Your ice will not be filtered.

1. Remove the filter by pressing the eject button and pulling on the cap. See "Changing the Water Filter" earlier in this section.
2. Remove the cap by turning it counterclockwise until it stops.  
**IMPORTANT:** Do not discard the cap. It is part of your refrigerator.
3. With the cap in a horizontal position, insert the cap into the base grille until it stops.



4. Turn the cap counterclockwise until the cap slips into the attachment slot. Then, turn the cap clockwise until it is in a horizontal position.

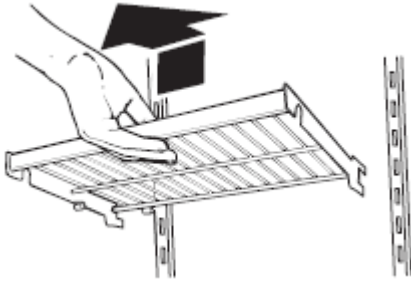
**NOTE:** The cap will not be even with the base grille.



## Freezer Shelves

### To remove and replace the shelf:

1. Remove the shelf by lifting it up and pulling it straight out.
2. Replace the shelf by putting it over the supports and lowering it into place.



## Frozen Food Storage Guide

Storage times will vary according to the quality and type of food, the type of packaging or wrap used (should be airtight and moisture-proof), and the storage temperature. Ice crystals inside a sealed package are normal. This simply means that moisture in the food and air inside the package have condensed, creating ice crystals.

Put no more unfrozen food into the freezer than will freeze within 24 hours (no more than 2 to 3 lbs of food per cubic foot [907-1,350 g per 28 L] of freezer space). Leave enough space in the freezer for air to circulate around packages. Be sure to leave enough room for the door to close tightly.

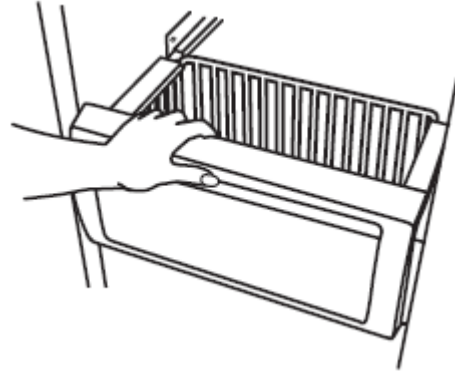
For more information on preparing food for freezing, check a freezer guide or reliable cookbook.

## Freezer Basket

The freezer basket can be used to store bags of frozen fruits and vegetables that may slide off freezer shelves.

### To remove and replace the freezer basket:

1. Pull the basket straight out to the stop.
2. Lift the front of the basket and slide it out the rest of the way.



3. Replace the basket by positioning it on the side wall guide rails. Lift the basket front slightly while pushing it past the guide rail stops and slide basket in the rest of the way.

# PERFORMANCE DATA SHEET

## Water Filtration System

Model EDR3RXD1B/P1WB2 Capacity 200 Gallons (757 Liters) with PID; 100 Gallons (378 Liters) without PID

Replacement Filter EDR3RXD1, EDR3RXD1B, WHR3RXD1 and KAD3RXD1



System tested and certified by NSF International against NSF/ANSI Standard 42, 53, 401 and CSA B483.1 for the reduction of contaminants specified on the Performance Data Sheet.

This system has been tested according to NSF/ANSI Standards 42, 53, 401 and CSA B483.1 for the reduction of the substances listed below. The concentration of the indicated substances in water entering the system was reduced to a concentration less than or equal to the permissible limit for water leaving the system, as specified in NSF/ANSI Standards 42, 53, 401 and CSA B483.1.

Substance Reduction	Influent Challenge Concentration	Maximum Permissible Product Water Concentration	Average % Reduction
<b>Aesthetic Effects</b>			
Chlorine Taste/Odor	2.0 mg/L ± 10%	50% reduction	>97.5%
Particulate Class I*	At least 10,000 particles/mL	85% reduction	99.2%
<b>Contaminant Reduction</b>	<b>Influent Challenge Concentration</b>	<b>Maximum Permissible Product Water Concentration</b>	<b>Average % Reduction</b>
Lead: @ pH 6.5 / @ pH 8.5	0.150 mg/L ± 10%	0.010 mg/L	>99.3% / >99.3%
Mercury: @ pH 6.5 / @ pH 8.5	0.006 mg/L ± 10%	0.002 mg/L	>96.4% / 90.8%
Asbestos	10 <sup>7</sup> to 10 <sup>8</sup> fibers/L††	99%	99%
Cysts†	50,000/L min.	99.95%	>99.99%
Turbidity	11 NTU ± 10%	0.5 NTU	>99.1%
Alachlor	0.040 mg/L ± 10%	0.002 mg/L	97.6%
Atrazine	0.009 mg/L ± 10%	0.003 mg/L	94.50%
Benzene	0.015 mg/L ± 10%	0.005 mg/L	96.6%
Carbofuran	0.080 mg/L ± 10%	0.040 mg/L	91.1%
Chlorobenzene	2.000 mg/L ± 10%	0.100 mg/L	99%
Endrin	0.006 mg/L ± 10%	0.002 mg/L	96.6%
Ethylbenzene	2.100 mg/L ± 10%	0.700 mg/L	99.9%
Lindane	0.002 mg/L ± 10%	0.0002 mg/L	99%
MTBE	0.015 mg/L ± 10%	0.005 mg/L	90.6%
O-Dichlorobenzene	1.800 mg/L ± 10%	0.600 mg/L	99.9%
Tetrachloroethylene	0.015 mg/L ± 10%	0.005 mg/L	96.4%
Toxaphene	0.015 mg/L ± 10%	0.003 mg/L	>93.7%
TTHM	0.045 mg/L ± 10%	0.080 mg/L	99.5%
Styrene	2.000 mg/L ± 10%	0.100 mg/L	99.9%
VOC	0.300 mg/L ± 10%	0.015 mg/L	99.7%
Atenolol	200 ± 20%	30 ng/L	95.7%
Trimethoprim	140 ng/L ± 20%	20 ng/L	96.1%
Linuron	140 ng/L ± 20%	20 ng/L	96.3%
Estrone	140 ng/L ± 20%	20 ng/L	90.6%

Nonylphenol	1400 ng/L ± 20%	200 ng/L	93.7%
Meprobamate	400 ng/L ± 20%	60 ng/L	94.9%
Carbamazepine	1400 ng/L ± 20%	200 ng/L	98.6%
DEET	1400 ng/L ± 20%	200 ng/L	98.6%
Metolachlor	1400 ng/L ± 20%	200 ng/L	98.6%
TCEP	5000 ng/L ± 20%	700 ng/L	98.1%
TCPP	5000 ng/L ± 20%	700 ng/L	98.2%
Phenytoin	200 ng/L ± 20%	30 ng/L	94.5%
Ibuprofen	400 ng/L ± 20%	60 ng/L	95.6%
Naproxen	140 ng/L ± 20%	20 ng/L	96.9%
Bisphenol A	2000 ng/L ± 20%	300 ng/L	99.1%

Test Parameters: pH = 7.5 ± 0.5 unless otherwise noted. Flow = 0.5 gpm (1.89 Lpm). Pressure = 60 psig (413.7 kPa). Temperature = 68°F to 71.6°F (20°C to 22°C). Rated service capacity = 200 gallons (757 liters).

The compounds certified under NSF 401 have been deemed as “emerging compounds/incidental contaminants.” Emerging compounds/incidental contaminants are those compounds that have been detected in drinking water supplies at trace levels. While occurring at only trace levels, these compounds can affect the public acceptance/perception of drinking water quality.

- For installation, operation, and maintenance instructions please refer to the Owner’s Manual.
- It is important that operational, maintenance, and filter replacement requirements be carried out for the product to perform as advertised. Property damage can occur if all instructions are not followed.
- The disposable cartridge must be changed at least every 6 months.
- Use replacement filter part #EDR3RXD1/EDR3RXD1B.
- The filter monitor system measures the amount of water that passes through the filter and alerts you when it is time to replace the filter. To learn how to check the water filter status, see “Using the Controls” or “Water Filtration System” in the User Instructions or User Guide.
- After changing the water filter, flush the water system. See “Water and Ice Dispensers” or “Water Dispenser” in the User Instructions or User Guide.
- These contaminants are not necessarily in your water supply. While testing was performed under standard laboratory conditions, actual performance may vary.
- For installation, operation and maintenance instructions please refer Owner’s Manual.
- The product is for cold water use only.
- The water system must be installed in compliance with state and local laws and regulations.
- Do not use with water that is microbiologically unsafe or of unknown quality without adequate disinfection before or after the system. Systems certified for cyst reduction may be used on disinfected waters that may contain filterable cysts. EPA Est. No. 082047-TWN-001.
- Refer to the “Warranty” section (in the User Instructions or User Guide) for the Manufacturer’s limited warranty, name and telephone number.

#### Application Guidelines/Water Supply Parameters

Water Supply	Potable City or Well
Water Pressure	30 psi - 120 psi (207 kPa - 827 kPa)
Water Temperature	33°F - 100°F (0.6°C - 37.8° C)
Service Flow Rate	0.5 GPM (1.89 L/min.) @ 60 psi.

- Your water filtration system will withstand up to 120 pounds per square inch (psi) water pressure. If your water supply is higher than 80 psi, install a pressure reducing valve before installing the water filtration system.



Consumer Support 1.800.442.9991  
 By Whirlpool Corporation  
 2000 North M63  
 Benton Harbor, MI 49022  
 Made in Taiwan.

\*Class I particle size: >0.5 to 1 um

†Based on the use of Cryptosporidium parvum oocysts

††Fibers greater than 10 um in length

®NSF is a registered trademark of NSF International.

# Sécurité du réfrigérateur

## Votre sécurité et celle des autres sont très importantes.

Nous donnons de nombreux messages de sécurité importants dans ce manuel et sur votre appareil. Assurez-vous de toujours lire tous les messages de sécurité et de vous y conformer.



Voici le symbole d'alerte de sécurité.

Ce symbole d'alerte de sécurité vous signale les dangers potentiels de décès et de blessures graves.

Tous les messages de sécurité suivront le symbole d'alerte de sécurité et le mot « DANGER » ou « AVERTISSEMENT ». Ces mots signifient :

**▲ DANGER**

**Risque possible de décès ou de blessure grave si vous ne suivez pas immédiatement les instructions.**

**▲ AVERTISSEMENT**

**Risque possible de décès ou de blessure grave si vous ne suivez pas les instructions.**

Tous les messages de sécurité vous diront quel est le danger potentiel, comment réduire le risque de blessure et ce qui peut se produire en cas de non-respect des instructions.

## INSTRUCTIONS IMPORTANTES DE SÉCURITÉ

**AVERTISSEMENT :** Afin de réduire le risque d'incendie, de décharge électrique ou de blessures corporelles lors de l'utilisation de cet appareil, observer certaines précautions fondamentales, notamment :

- Les enfants doivent être surveillés afin de s'assurer qu'ils ne jouent pas avec l'appareil.
- Cet appareil ne convient pas à une utilisation par des personnes (y compris des enfants) à capacités physiques, sensorielles ou mentales réduites, ou possédant un manque d'expérience et de connaissances, à moins qu'elles ne soient placées sous supervision ou qu'elles aient reçu des instructions concernant l'utilisation de l'appareil par une personne responsable de leur sécurité.
- Ne pas utiliser de rallonge.
- Si le cordon d'alimentation est endommagé, il doit être remplacé par le fabricant, son agent de réparation ou toute autre personne qualifiée afin d'éviter tout danger.
- Brancher sur une alimentation en eau potable uniquement.
- Cet appareil est destiné à un usage domestique et à d'autres usages similaires comme : coins cuisine réservés au personnel des boutiques, des bureaux et d'autres environnements professionnels; maisons d'hôtes, ainsi que par les clients d'hôtel, de motels et d'autres installations d'hébergement; gîtes touristiques; et banquets et autres utilisations non commerciales semblables.
- Ne pas entreposer de substances explosives comme des aérosols avec agent propulseur inflammable dans cet appareil.
- Ne pas utiliser de pièces de remplacement qui n'ont pas été recommandées par le fabricant (c.-à-d., pièces fabriquées à la maison à l'aide d'une imprimante 3D).
- Garder les événements à l'intérieur de l'enceinte de l'appareil ou de la structure encastrée exempte d'obstacles.
- Ne pas utiliser des appareils mécaniques ou autres moyens pour accélérer le processus de dégivrage, autre que ceux recommandés par le fabricant.
- Ne pas endommager le circuit réfrigérant.
- Ne pas utiliser des appareils électriques à l'intérieur des compartiments d'aliments de l'appareil, à moins qu'ils soient de type recommandé par le fabricant.
- L'ensemble de machine à glaçons peut être ajouté à certains modèles. Consulter la plaque signalétique située à l'intérieur du compartiment pour les aliments de l'appareil pour obtenir les informations concernant le modèle d'ensemble de machine à glaçons.
- L'installation de la canalisation d'eau et de la machine à glaçons doit être effectuée par un technicien de service qualifié. Consulter les instructions d'installation fournies avec l'ensemble pour machine à glaçons pour tous les détails.

**CONSERVER CES INSTRUCTIONS**

## **⚠ AVERTISSEMENT**



### **Risque de basculement**

La partie du haut du réfrigérateur est très lourde, ce qui peut le faire basculer facilement lorsqu'il n'est pas complètement installé.

Garder les portes fermées avec du ruban jusqu'à la fin de l'installation du réfrigérateur.

Utiliser au moins deux personnes pour déplacer et installer le réfrigérateur.

Ne pas respecter cette instruction peut causer un décès ou une blessure grave.

### **Mise au rebut du vieux réfrigérateur**

**AVERTISSEMENT : Un enfant peut rester piégé. Avant de jeter votre vieux réfrigérateur ou congélateur :**

- Enlever les portes.
- Laisser les tablettes en place de sorte que les enfants ne puissent pas y pénétrer facilement.

## **⚠ AVERTISSEMENT**

### **Risque de suffoquer**

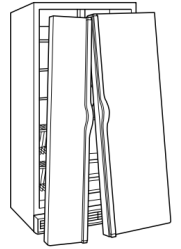
Enlever les portes ou le couvercle de votre vieil appareil.

Le non-respect de cette instruction peut causer un décès ou des lésions cérébrales.

**IMPORTANT :** Le risque qu'un enfant puisse se retrouver coincé et suffoquer n'est pas chose du passé. Les réfrigérateurs jetés ou abandonnés restent dangereux, même s'ils ne restent à l'extérieur que pour « quelques jours ». Si l'ancien réfrigérateur doit être mis au rebut, suivre les instructions suivantes afin d'éviter les accidents.

### **Informations importantes à connaître pour l'élimination du liquide réfrigérant :**

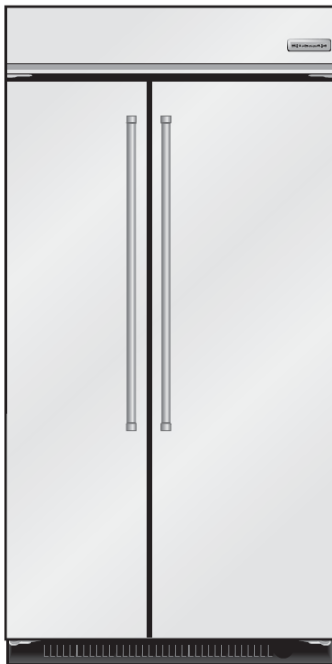
Jeter le réfrigérateur conformément aux règlements fédéraux et locaux. Les liquides réfrigérants doivent être évacués par un technicien en réfrigération accrédité EPA, conformément aux procédures établies.



# MODÈLE

## Modèles

### Réfrigérateurs côte à côte sans distributeur



#### Série Stainless

Cette série procure un réfrigérateur encastré d'apparence commerciale.

KBSN702MPS, KBSN708MPS



#### Série Overlay

Se caractérise par des garnitures d'origine de style décoratif procurant un aspect « sans cadre ». Cette série nécessite l'installation de panneaux, poignées et supports personnalisés.

KBSN702MPA, KBSN708MPA

### Réfrigérateurs côte à côte avec distributeur



#### Série Stainless

Cette série procure un réfrigérateur encastré d'apparence commerciale.

KBSD706MPS, KBSD702MPS, KBSD708MPS, KBSD708MBS

# ENTRETIEN ET RÉPARATION

## Nettoyage

**⚠ AVERTISSEMENT**



**Risque d'explosion**

**Risque d'incendie ou d'explosion.**  
**Fluide frigorigène inflammable utilisé.**  
**Ne pas utiliser d'appareils mécaniques pour dégivrer le réfrigérateur.**  
**Ne pas perforer la tubulure de réfrigération.**

Both the refrigerator and freezer sections defrost automatically. However, clean both sections about once a month to avoid buildup of odors. Wipe up spills immediately.

### To Clean Your Refrigerator:

1. Remove the top grille. See "Power On/Off Switch."
2. Press the power switch to OFF.
3. Remove all removable parts from inside, such as shelves, crispers, etc.
4. Hand wash, rinse, and dry removable parts and interior surfaces thoroughly. Use a clean sponge or soft cloth and a mild detergent in warm water.
  - Do not use abrasive or harsh cleaners such as window sprays, scouring cleansers, flammable fluids, cleaning waxes, concentrated detergents, bleaches or cleansers containing petroleum products on plastic parts, interior and door liners or gaskets. Do not use paper towels, scouring pads, or other harsh cleaning tools. These can scratch or damage materials.
  - To help remove odors, you can wash interior walls with a mixture of warm water and baking soda (2 tbs to 1 qt [26 g to 0.95 L] of water).
5. Wash stainless steel and painted metal exteriors with a clean sponge or soft cloth and a mild detergent in warm water. Do not use abrasive or harsh cleaners, or cleaners containing chlorine. Dry thoroughly with a soft cloth.

**REMARQUE :** To keep your Stainless Steel refrigerator looking like new and to remove minor scuffs or marks, it is suggested that you use the manufacturer's approved Stainless Steel Cleaner and Polish.

**IMPORTANT :** This cleaner is for stainless steel parts only. Do not allow the Stainless Steel Cleaner and Polish to come into contact with any plastic parts such as the trim pieces, dispenser covers or door gaskets. If unintentional contact does occur, clean plastic part with a sponge and mild detergent in warm water. Dry thoroughly with a soft cloth. To order the cleaner, see "Accessories."
6. Press the power switch to ON.
7. Replace the top grille. See "Power On/Off Switch."

## Nettoyage du condensateur

**⚠ AVERTISSEMENT**



**Risque d'explosion**

**Risque d'incendie ou d'explosion causé par la perforation de la tubulure de réfrigération;**  
**suivre avec attention les instructions de manipulation.**  
**Fluide frigorigène inflammable utilisé.**

Le condensateur n'a pas besoin d'être nettoyé souvent dans des conditions de fonctionnement domestique normales. Si l'environnement est particulièrement gras, poussiéreux ou s'il y a des animaux domestiques dans la maison, le condensateur devrait être nettoyé tous les 6 mois pour assurer une efficacité maximum.

1. Débrancher le réfrigérateur ou déconnecter la source de courant électrique.
2. Retirer la grille de la base.
3. Utiliser un aspirateur à brosse douce pour nettoyer la grille, les endroits ouverts derrière la grille et la surface à l'avant du condensateur.
4. Replacer la grille de la base après avoir terminé.
5. Brancher le réfrigérateur ou reconnecter la source de courant électrique.

**REMARQUE :** Communiquer avec le service s'il est impossible de nettoyer le condensateur.

## Remplacer le module à DEL

**IMPORTANT:** Les lampes des compartiments de réfrigération et de congélation utilisent la technologie DEL. Si les lampes ne s'allument pas lorsqu'on ouvre la porte, appeler les numéros fournis pour obtenir de l'aide ou un dépannage. Consulter le Guide de démarrage rapide pour les coordonnées. Si un module à DEL ne s'allume pas lorsque la porte du réfrigérateur ou du congélateur est ouverte, communiquez avec nous pour obtenir de l'aide ou un entretien.

## Tablettes du réfrigérateur et balconnets de porte

### Informations importantes à propos des tablettes et des couvercles en verre :

Ne pas nettoyer les tablettes ou les couvercles de verre avec de l'eau tiède lorsqu'ils sont froids. Les tablettes et couvercles peuvent se briser s'ils sont exposés à un changement de températures ou impact soudain, tel qu'une chute. Le verre trempé est conçu pour se briser en de multiples petits morceaux de la taille de gravillons. Ceci est normal. Les tablettes en verre et les couvercles sont lourds. Employer les deux mains lorsqu'on les retire afin d'éviter de les faire tomber.

Les tablettes de réfrigérateur sont réglables pour s'adapter aux besoins de rangement de l'utilisateur.



Afin de pouvoir trouver plus facilement l'article recherché, on peut remiser ensemble des aliments semblables dans le réfrigérateur et ajuster les tablettes pour les adapter aux différentes tailles d'articles. Ceci réduira également la durée d'ouverture de la porte du réfrigérateur et permettra d'économiser de l'énergie

### Balconnets de porte

Le compartiment de porte permet de ranger des contenants de un gallon, les compartiments peu profonds, des bouteilles de 2 L et le compartiment pour petits articles, des articles qui se perdraient sur les tablettes. Tous ces éléments sont amovibles pour faciliter le nettoyage.

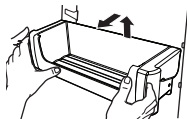
#### Compartiment pour petits articles

**REMARQUE :** Le compartiment doit être bien positionné dans la partie supérieure de la porte pour éviter que des articles ne tombent pendant l'ouverture ou la fermeture de la porte.

1. Installer le compartiment pour petits articles dans la partie supérieure de la porte et appuyer vers le bas pour verrouiller en place.

Pour retirer et réinstaller le compartiment pour petits articles :

1. Retirer le balconnet en le soulevant vers le haut et en tirant pour le sortir.
2. Réinstaller le balconnet en le faisant glisser au-dessus du support désiré et en l'enfonçant jusqu'à la butée.

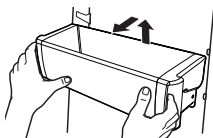


3. Installer le compartiment pour petits articles dans la partie du haut de la porte.

#### Compartiments peu profonds

Retrait et réinstallation des compartiments peu profonds :

1. Retirer le balconnet en le soulevant vers le haut et en tirant pour le sortir.
2. Réinstaller le balconnet en le faisant glisser au-dessus du support désiré et en l'enfonçant jusqu'à la butée.



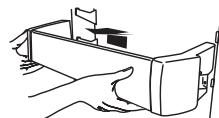
#### Compartiment de porte pour contenant de un gallon

**REMARQUE :** Le compartiment ne peut être placé que dans le support inférieur de la porte.

1. Installer le compartiment au-dessus du support inférieur de la porte et pousser vers le bas pour fixer en place.

Retrait et réinstallation du compartiment de porte pour contenant de un gallon :

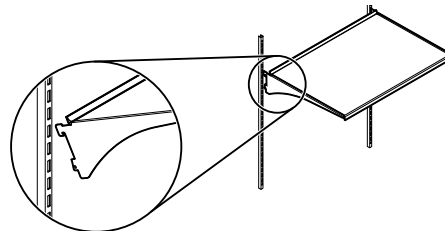
1. Retirer le compartiment en le soulevant vers le haut et en tirant pour le sortir.
2. Réinstaller le balconnet en le faisant glisser au-dessus du support désiré et en l'enfonçant jusqu'à la butée.



### Tablettes et cadres de tablettes

Pour retirer et réinstaller une tablette/un cadre :

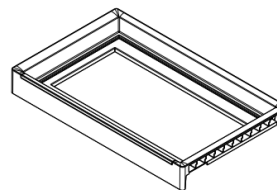
1. Enlever la tablette/le cadre en l'inclinant vers le haut à l'avant et en la/le soulevant hors des supports de tablette. Retirer la tablette tout droit vers l'extérieur.
2. Replacer la tablette/le cadre en dirigeant les crochets arrière de la tablette dans les supports de tablette. Incliner l'avant de la tablette vers le haut jusqu'à ce que les crochets arrière de la tablette se placent dans les supports de tablette.
3. Abaisser l'avant de la tablette et vérifier que la tablette est bien en position.



### Tablette de rangement à plateau

Retrait et installation :

1. Retirer les aliments du plat.
2. Retirer le tiroir d'environ 4 po (10,16 cm).
3. Passer les deux mains sous le plateau et soulever délicatement vers le haut jusqu'à ce que l'avant de la tablette se dégage. Incliner la tablette à un angle et la retirer du réfrigérateur.
4. Incliner la tablette et la positionner au-dessus des encoches de support.
5. Placer délicatement l'étagère sur les encoches de supports de la paroi latérale.



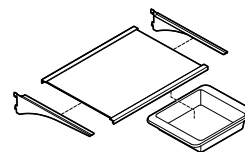
### Plat à marinade

Retrait et réinstallation du plat à marinade :

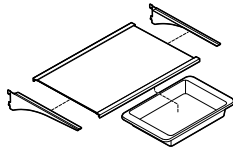
1. Enlever le plat à marinade en le soulevant des équerres. Comprimer le côté droit (vers l'intérieur) du plat pour le libérer totalement du support incorporé à l'équerre. Abaisser légèrement le côté droit, puis dégager le côté gauche du support incorporé à l'équerre de gauche.
2. Réinstaller le plat à marinade en insérant le côté gauche du bac dans l'équerre. Comprimer le côté droit (vers l'intérieur) pour pouvoir faire glisser ce côté dans le support incorporé à l'équerre de droite.

**REMARQUE :** Retirez tout ce qui se trouve sous (plateaux/seau) et au-dessus du plat à marinade avant de le retirer.

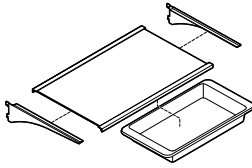
Pour 36 po



Pour 42 po



Pour 48 po



Pour acheter des ustensiles de cuisson au four supplémentaires, visiter le :

<https://www.kitchenaid.com/kitchenware/bakeware.html>

### Retrait et réinstallation du couvercle du tiroir supérieur

1. Retirer les aliments du couvercle du tiroir supérieur. Retirer le tiroir d'environ 4 po (10,16 cm). Passer les deux mains sous la tablette en verre et soulever délicatement vers le haut jusqu'à ce que l'arrière de la tablette se dégage. Incliner la tablette à un angle et la retirer du réfrigérateur. S'assurer de ne pas heurter la partie en verre.



2. Remettre le couvercle en place en tenant le verre fermement à deux mains; incliner la tablette et la positionner au-dessus des encoches de support. Placer délicatement l'étagère sur les encoches de supports de la paroi latérale.

#### REMARQUE :

- Les produits sans distributeur ont une IU située juste au-dessus du tiroir avec commande de refroidissement.
- L'IU pour les produits avec distributeur est située dans la porte.

### Guide d'entreposage des viandes

Garder la plus grande partie des viandes dans leur emballage d'origine pourvu qu'il soit hermétique et à l'épreuve de l'humidité. Emballer de nouveau si nécessaire. Voir le tableau suivant pour les durées d'entreposage. Lorsque la viande doit être entreposée plus longtemps que les durées indiquées, congeler la viande.

Poisson frais ou crustacés... à consommer le jour même de l'achat  
Poulet, boeuf haché, abats comestibles (foie) ..... 1 à 2 jours  
Charcuteries, steaks/rôtis..... 3 à 5 jours  
Viandes salaisonées..... 7 à 10 jours

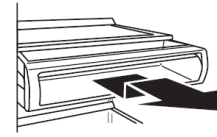
Restes – Couvrir les restes avec une pellicule en plastique ou du papier d'aluminium ou utiliser des contenants en plastique avec couvercles hermétiques.

### Bac à légumes et couvercles

#### Retrait et réinstallation du bac à légumes :

1. Extraire le bac à légumes en le faisant glisser vers l'extérieur jusqu'à la butée. Soulever l'avant du bac d'une main tout en soutenant la partie inférieure du bac de l'autre main. Retirer complètement le bac en le faisant glisser.
2. Pour remettre le tiroir à légumes en place, placer le tiroir sur les glissières et le pousser jusqu'à ce qu'il soit bien en place.

3. Ouvrir de nouveau le tiroir à légumes pour vérifier qu'il a été réinstallé correctement.



#### Pour nettoyer les couvercles du tiroir à légumes :

1. Pour nettoyer le couvercle du haut du tiroir à légumes supérieur, retirer le tiroir situé juste au-dessus.
2. Pour nettoyer le couvercle du bas du tiroir à légumes, retirer d'abord le couvercle du haut du tiroir à légumes.

## Mode Sabbat et entretien avant les vacances

### Instructions pour le mode Sabbat

Votre réfrigérateur est muni du mode Sabbath (mode Sabbat), lequel est conçu pour les personnes dont les pratiques religieuses requièrent d'éteindre les lumières et la machine à glaçons.

En sélectionnant cette fonction :

- Les réglages de température et du bac pour spécialités alimentaires ne changent pas.
- Les DEL des commandes électroniques ne s'afficheront pas.
- Le bouton Sabbath (Sabbat) sera le seul allumé.
- Aucune distribution d'eau ou de glaçons.
- Aucune alarme ne résonnera.
- L'éclairage à l'intérieur sera éteint.
- Le produit n'aura aucune réaction à l'ouverture de la porte.

Pour un fonctionnement plus efficace du réfrigérateur, il est recommandé de sortir du Sabbath mode (mode Sabbat) lorsque celui-ci n'est plus nécessaire.

Pour activer complètement le Sabbath Mode (mode Sabbat), suivre les instructions ci-dessous pour le tableau de commande.

**IMPORTANT :** Si le Sabbath Mode (mode Sabbat) n'est pas activé selon les deux procédés ci-dessous, certaines fonctions que vous souhaitez désactiver resteront actives.

#### TABLEAU DE COMMANDE

En Sabbath Mode (mode Sabbat), les points de réglage de température restent inchangés et les lampes intérieures sont teintes.

1. Pour activer le mode Sabbat, appuyer sur le bouton SABBATH (SABBAT) situé sur le distributeur ou sur les commandes internes et maintenir le bouton enfoncé pendant 3 secondes.
2. Éteindre la machine à glaçons (consulter la section « Machine à glaçons et bac d'entreposage » pour obtenir plus d'instructions sur la façon d'activer et de désactiver la machine à glaçons).
3. Appuyer de nouveau pendant 3 secondes sur le bouton SABBATH (SABBAT) pour désactiver ce mode. Mettre la machine à glaçons en marche.

**REMARQUE :** Si l'appareil est en Sabbath mode (mode Sabbat) lorsqu'une panne de courant se produit, il restera en Sabbath mode (mode Sabbat) une fois la panne terminée.

### Entretien avant les vacances Vacances

Si le réfrigérateur est laissé en marche pendant une absence :

1. Consommer toutes les denrées périssables et congeler les autres articles.

2. Si le réfrigérateur comporte une machine à glaçons automatique et qu'il est raccordé à la source d'approvisionnement en eau du domicile, fermer la source d'approvisionnement en eau du réfrigérateur. Des dommages matériels peuvent subvenir si l'alimentation en eau n'est pas coupée.
3. Si votre machine à glaçons est automatique, éteindre la machine à glaçons.
  - Consulter la section « Machine à glaçons et bac d'entreposage » pour obtenir plus d'instructions sur la façon d'activer et de désactiver la machine à glaçons.
4. Vider le bac à glaçons.
5. Réglage du mode vacances.

#### Pour les appareils sans distributeur :

1. Appuyer sur le bouton Vacation (vacances) pour activer le mode et allumer l'affichage. Appuyer de nouveau sur le bouton pour désactiver le mode.

#### Pour les appareils avec distributeur :

1. Pour activer le mode vacances, maintenir enfoncés les boutons Max Freeze (congélation maximale) et Freezer (congélateur) pendant 3 secondes, le témoin de vacances est illuminé à 100 % et clignote deux fois avant de rester allumé.
2. Pour désactiver le mode vacances, maintenir enfoncés les boutons Max Freeze (congélation maximale) et Freezer (congélateur) pendant 3 secondes, le témoin de vacances clignote deux fois avant de rester éteint.

**REMARQUE :** L'activation du Vacation mode (mode vacances) ne désactive pas la machine à glaçons.

#### Si l'utilisateur choisit d'arrêter le réfrigérateur avant son absence :

1. Enlever tous les aliments du réfrigérateur.
2. Si le réfrigérateur est équipé d'une machine à glaçons automatique :
  - Fermer l'approvisionnement en eau de la machine à glaçons au moins un jour à l'avance.
  - Lorsque la dernière quantité de glaçons est déposée, soulever le bras de commande d'arrêt métallique à la position Off (arrêt/position haute) ou placer le commutateur sur Off (arrêt), selon le modèle.
3. Vider le bac à glaçons.
4. Selon votre modèle, tourner la commande du thermostat (ou la commande du réfrigérateur) sur Arrêt. Voir la section « Utilisation des commandes ».
5. Nettoyer le réfrigérateur, l'essuyer et bien le sécher.
6. À l'aide d'un ruban adhésif, placer des blocs de caoutchouc ou de bois dans la partie supérieure de chaque porte de façon à ce qu'elles soient suffisamment ouvertes pour permettre à l'air d'entrer et d'éviter l'accumulation d'odeur ou de moisissure.

## EXIGENCES D'INSTALLATION

### Outils et pièces

#### IMPORTANT :

- Installateur : Remettre les instructions d'installation au propriétaire.
- Propriétaire : Conserver les instructions d'installation pour référence ultérieure. Conserver ces instructions d'installation pour consultation par l'inspecteur local des installations électriques.

### Outils nécessaires

Rassembler les outils et pièces nécessaires avant d'entreprendre l'installation. Lire et observer les instructions fournies avec chacun des outils de la liste ci-dessous.

- Perceuse sans fil
- Forets
- Clés à molette (2)
- Tournevis à tête cruciforme
- Petit niveau
- Clés à fourche de 3/8 po et 1/2 po
- Tournevis à douille de 1/4 po et 5/16 po
- Torx®†Tournevis T27
- Tourne-écrou de 11/32 po
- Chariot pour appareil ménager
- Clé hexagonale de 5/32 po
- Couteau utilitaire
- Ruban à mesurer

### Pièces nécessaires

- Vis à bois no 8 x 3 po (7,6 cm) (il peut être nécessaire d'utiliser des vis plus longues) (6)
- Planche(s) de bois de 2 po x 4 po x 32 po (5 cm x 10 cm x 81 cm) (1 ou 2)
- Réaliser des panneaux personnalisés ou consulter un ébéniste ou un menuisier qualifié pour la réalisation de panneaux. Série Overlay : Réaliser des panneaux personnalisés ou consulter un ébéniste ou un menuisier qualifié pour la réalisation de panneaux. Voir « Panneaux personnalisés et ensembles de poignées de série Overlay » pour plus d'informations. La série Stainless est livrée complète.
- Dans le cas d'un raccordement direct de la canalisation d'eau au tube de cuivre et non à un robinet d'arrêt, on doit disposer d'un raccord à compression de 1/4 po (6,35 mm) avec virole et raccord union.

## Exigences d'emplacement

**⚠ AVERTISSEMENT**



**Risque d'explosion**

**Garder les matières et les vapeurs inflammables, telles que l'essence, à l'écart de l'appareil.**

**Utiliser un produit de nettoyage ininflammable.**

**Le non-respect de ces instructions peut causer un décès, une explosion ou un incendie.**

**IMPORTANT :** Ce réfrigérateur est conçu pour un usage domestique, à l'intérieur uniquement.

†TORX est une marque déposée d'Acument Intellectual Properties, LLC.

Cet appareil est destiné à un usage domestique et à d'autres usages similaires comme :

- espace de cuisine pour personnel de boutiques, bureaux et autres environnements professionnels.
- résidences fermières et utilisation par les clients d'hôtels, de motels et d'autres types de résidences.
- environnements de type chambres d'hôtes.
- banquets et autres utilisations non commerciales semblables.
- Observer les dispositions de tous les codes et règlements en vigueur.
- Il est conseillé de ne pas effectuer l'installation près d'un four, d'un radiateur ou de toute autre source de chaleur.
- Ne pas installer l'appareil dans un endroit où la température pourrait descendre sous 55 °F (13 °C).
- Le plancher doit pouvoir supporter le poids du réfrigérateur, soit plus de 600 lb (272 kg) incluant les panneaux de porte et le contenu du réfrigérateur. Le revêtement de sol sous le réfrigérateur doit se trouver au même niveau que le sol de la pièce. L'avant des armoires doit être d'aplomb.
- La hauteur libre sous plafond doit être suffisante pour permettre le basculement de chaque côté. Voir la section « Rayon de basculement » plus loin dans cette section.
- L'emplacement doit permettre l'ouverture complète de la porte. Voir la section « Dimensions pour le pivotement des portes ».
- L'emplacement d'installation doit permettre la dépose de la grille supérieure. Voir la section « Dimensions de l'ouverture d'encastrement ».

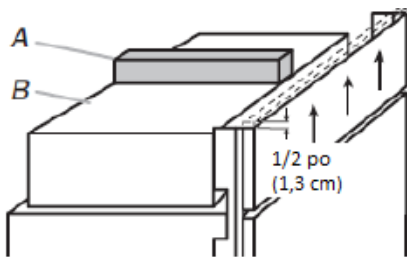
### Dimensions de l'ouverture

- Pour éviter le basculement pendant l'utilisation, le soffite massif doit se trouver à 1 po (2,5 cm) maximum au-dessus du réfrigérateur. Si le soffite massif se trouve à plus de 1 po (2,5 cm) ou si un soffite n'est pas disponible, le réfrigérateur doit être arrimé. Si des planches antibasculement sont nécessaires, ils doivent être installés sur les montants du mur arrière de sorte que le bas du poteau antibasculement se trouve à 84 po (213,4 cm) du sol. Voir la section « Installation des planches antibasculement » pour plus d'informations.

### IMPORTANT

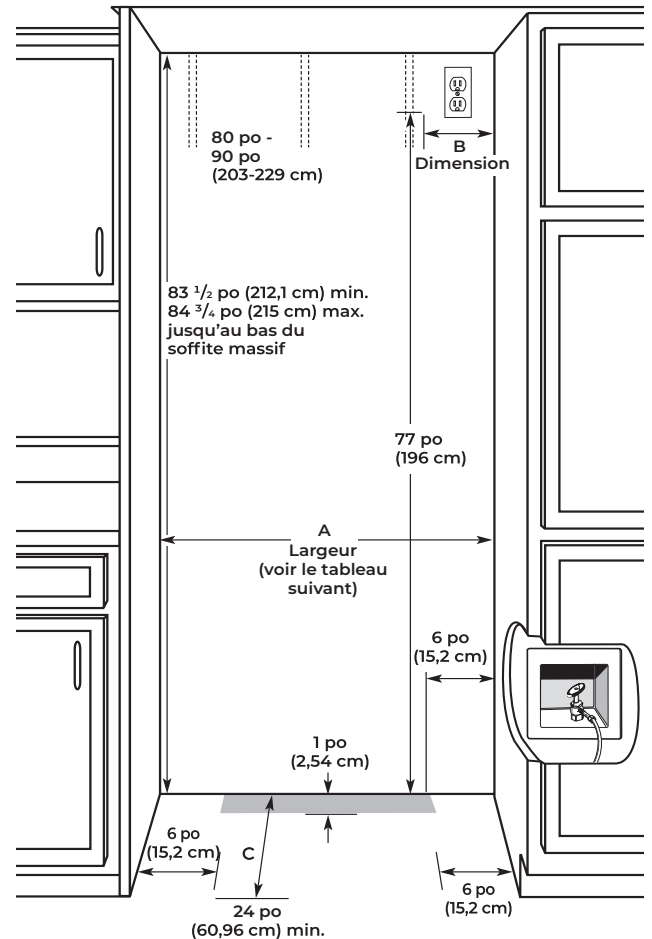
#### REMARQUES :

- Un dégagement de 1/2 po (1,3 cm) doit être maintenu au-dessus de la grille supérieure pour pouvoir enlever la grille supérieure.
- Ne pas retirer le joint en mousse du sommet du couvercle du compresseur sauf s'il est nécessaire de le retirer pour installer l'appareil sous un soffite. Retirer le joint peut affecter les performances de refroidissement.
- Si l'appareil est installé sous un soffite massif, relever les pieds de nivellement après l'installation pour que le joint soit solidement appuyé contre le soffite.



A. Joint d'étanchéité  
B. Couvercle du compresseur

- Une prise électrique à trois broches avec mise à la terre doit être placée à une distance définie des armoires de droite ou du panneau situé à l'extrémité. Voir le tableau sous l'illustration pour connaître le nombre de pouces à respecter pour votre modèle. Voir les « Spécifications électriques » pour plus d'informations.
- Le robinet d'arrêt d'eau doit être situé dans l'armoire inférieure d'un côté ou l'autre du réfrigérateur, ou à un autre endroit facilement accessible. Si le robinet d'arrêt ne se trouve pas dans les armoires, la plomberie d'arrivée d'eau peut provenir du plancher. Voir les « Spécifications de l'alimentation en eau » pour plus d'informations.



Modèle	Largeur A (comme indiqué ci-dessus)	Dimension B (comme indiqué ci-dessus)
36	35 1/2 po à 35 3/4 po (90,2 cm à 90,8 cm)	4 po (10,2 cm)
42	41 1/2 po à 41 3/4 po (105,4 cm à 106,1 cm)	7 1/2 po (19,1 cm)
48	47 1/2 po à 47 3/4 po (120,7 cm à 121,3 cm)	13 1/2 po (34,3 cm)

**REMARQUE :** Le plancher sous l'appareil doit être au même niveau puisque l'avant des armoires doit être d'aplomb.

Type d'installation	Profondeur C (comme illustrée ci-dessus)
Encastré standard (nouvelle installation)	25 po (63,5 cm) minimum
Modernisations	24 po (60,9 cm) minimum

**REMARQUE :** Pour les installations sur les appareils existants, les panneaux de porte ne seront pas d'aplomb avec les armoires adjacentes.

## Spécifications électriques

**⚠ AVERTISSEMENT**



**Risque de décharge électrique**

**Brancher l'appareil sur une prise à 3 alvéoles reliée à la terre.**

**Ne pas enlever la prise de liaison à la terre.**

**Ne pas utiliser d'adaptateur.**

**Ne pas utiliser de rallonge.**

**Le non-respect de ces instructions peut causer un décès, un incendie ou une décharge électrique.**

Avant de placer le réfrigérateur à son emplacement final, il est important de s'assurer d'avoir la connexion électrique appropriée.

Si le cordon d'alimentation est endommagé, il doit être remplacé par le fabricant, son agent de service ou toute autre personne également qualifiée. Ne pas utiliser un cordon craquelé ou qui présente des dommages d'abrasion sur la gaine, la fiche ou le connecteur.

### Méthode recommandée de liaison à la terre

Un circuit de 115 V CA à 60 Hz relié à la terre et protégé par un fusible de 15 A ou 20 A est requis. On recommande que le réfrigérateur et les accessoires approuvés soient alimentés par un circuit indépendant. Utiliser une prise de courant dont l'alimentation ne peut pas être interrompue par un interrupteur. Ne pas utiliser de rallonge.

**IMPORTANT :** ce produit est connecté à une prise protégée par un disjoncteur de fuite à la terre, un déclenchement intempestif peut se produire et causer une perte de refroidissement. La qualité et la saveur des aliments risquent d'être affectées. Si un déclenchement intempestif se produit et si les aliments semblent de piètre qualité, jeter les aliments.

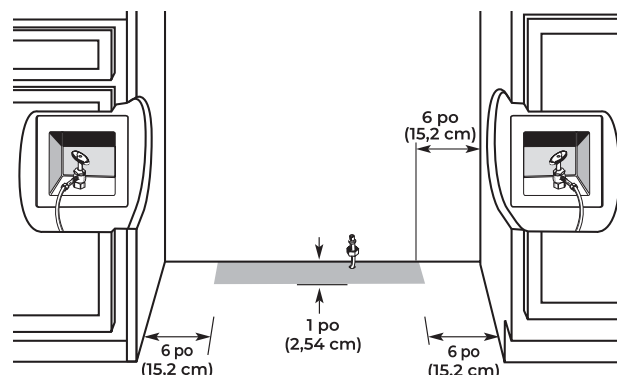
**REMARQUE :** Avant d'exécuter tout type d'installation ou de nettoyage, retirer la grille supérieure et mettre l'interrupteur général d'alimentation à OFF (arrêt) ou déconnecter le courant au boîtier de disjoncteurs. Lorsque vous avez terminé, mettre l'interrupteur général d'alimentation à ON (marche) ou rétablir le courant au boîtier de disjoncteurs. Puis placer de nouveau la commande au réglage désiré.

## Spécifications de l'alimentation en eau

### IMPORTANT :

- Toutes les installations doivent être conformes aux exigences des codes locaux de plomberie.
- Brancher sur une alimentation en eau potable uniquement.
- Si un robinet d'arrêt se trouve dans un mur situé derrière le réfrigérateur, il n'y a pas suffisamment d'espace pour une installation en affleurement.
- Le robinet d'arrêt d'eau doit être situé dans l'armoire inférieure d'un côté ou l'autre du réfrigérateur, ou à un autre endroit facilement accessible. Le côté droit est recommandé. Le trou d'accès à travers l'armoire doit se trouver à moins de 1/2 po (1,3 cm) du mur arrière.

**REMARQUE :** Si le robinet d'arrêt d'eau se trouve dans la paroi arrière derrière le réfrigérateur, il doit être incliné afin que le tube ne soit pas plié lorsque le réfrigérateur est poussé à son emplacement final.



- Si le robinet d'arrêt ne se trouve pas dans les armoires, la plomberie d'arrivée d'eau peut provenir du plancher. Un trou de 1/2 po (12,7 mm) pour la plomberie doit être percé à 6 po (15,2 cm) minimum de l'armoire de gauche ou de droite ou du panneau. Sur le plancher, le trou ne doit pas se trouver à plus de 1 po (2,54 cm) du mur arrière. Voir la section « Raccordement à la canalisation d'eau. »
- Si un tube supplémentaire est nécessaire, utiliser un tube en cuivre et vérifier s'il y a des fuites. Installer les tuyaux en cuivre seulement là où les températures domestiques resteront au-dessus du point de congélation.
- Si un tube supplémentaire est nécessaire, utiliser un tube en cuivre et vérifier s'il y a des fuites. Installer les tuyaux en cuivre seulement là où les températures domestiques resteront au-dessus du point de congélation.
- Ne pas employer de robinet d'arrêt à étrier de 3/16 po (4,76 mm) ou de type à percer – ils réduisent le débit d'eau et s'obstruent aussi plus facilement.

**REMARQUE :** Votre marchand de réfrigérateurs propose une trousse avec un robinet d'arrêt à étrier de 1/4 po (6,35 mm), un raccord et un tube en cuivre. Avant d'en faire l'achat, s'assurer que le robinet d'arrêt à étrier est conforme aux codes locaux de plomberie.



## Pression d'eau

Une alimentation en eau froide avec une pression entre 30 lb/po<sup>2</sup> et 120 lb/po<sup>2</sup> (207 kPa et 827 kPa) est nécessaire pour faire fonctionner le distributeur d'eau et la machine à glaçons. Pour toute question au sujet de la pression de l'eau, faire appel à un plombier qualifié agréé.

**REMARQUE :** Si la pression en eau est inférieure aux critères minimaux, le débit du distributeur d'eau pourrait diminuer ou entraîner la formation de glaçons creux ou de forme irrégulière. Pour toute question au sujet de la pression de l'eau, faire appel à un plombier qualifié agréé.

### Alimentation en eau par osmose inverse

**IMPORTANT :** La pression de l'alimentation en eau entre le système d'osmose inverse et le robinet d'arrivée d'eau du réfrigérateur doit être entre 30 lb/po<sup>2</sup> et 120 lb/po<sup>2</sup> (207 kPa à 827 kPa).

Si un système de filtration de l'eau par osmose inverse est raccordé à votre alimentation en eau froide, la pression de l'eau au système doit être d'un minimum de 40 lb/po<sup>2</sup> à 60 lb/po<sup>2</sup> (276 kPa à 414 kPa).

Si la pression d'eau au système de filtration par osmose inverse est inférieure à 40 lb/po<sup>2</sup> à 60 lb/po<sup>2</sup> (276 kPa à 414 kPa) :

- Vérifier que le filtre à sédiment dans le système à osmose inverse n'est pas obstrué. Remplacer le filtre si nécessaire.
- Laisser le réservoir du système d'osmose inverse se remplir après une utilisation intense.
- Si le réfrigérateur comporte un filtre à eau, celui-ci peut réduire la pression de l'eau lorsqu'il est utilisé avec un système d'osmose inverse. Enlever la cartouche de filtre à eau.

Pour toute question au sujet de la pression de l'eau, faire appel à un plombier qualifié agréé.

## Rayon de basculement

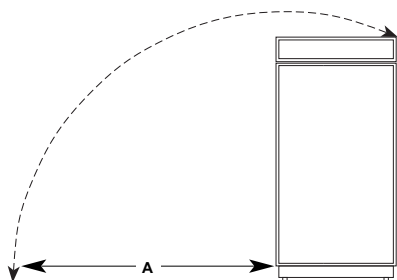
S'assurer que la hauteur du plafond est suffisante pour mettre le réfrigérateur en position verticale lorsqu'il est mis dans son emplacement.

- S'assurer que la hauteur du plafond est suffisante pour mettre le réfrigérateur en position verticale lorsqu'il est mis dans son emplacement.
- Si nécessaire, on peut réduire le rayon de basculement. Voir la section « Réduction du rayon de basculement ».

### Rayon de basculement latéral

Le rayon de basculement latéral varie en fonction de la largeur du modèle. Utiliser le tableau fourni pour déterminer le rayon de basculement latéral.

**REMARQUE :** Incliner le côté seulement.

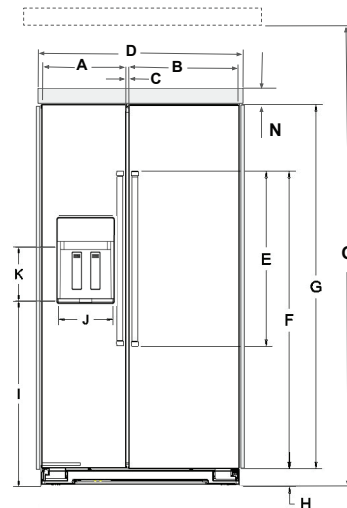


Modèle	Rayon de basculement
36	90 1/2 po (106 cm)
42	93 po (236,2 cm)
48	96 po (243,8 cm)

## Dimensions du produit

### Vue de face

- Les dimensions de largeur ont été mesurées d'un bord à l'autre de la garniture extérieure à garniture extérieure.
- Les dimensions de hauteur indiquées correspondent à la situation où les pieds de nivellement déployés dépassent de 1/8 po (3 mm) au-dessous des roulettes.



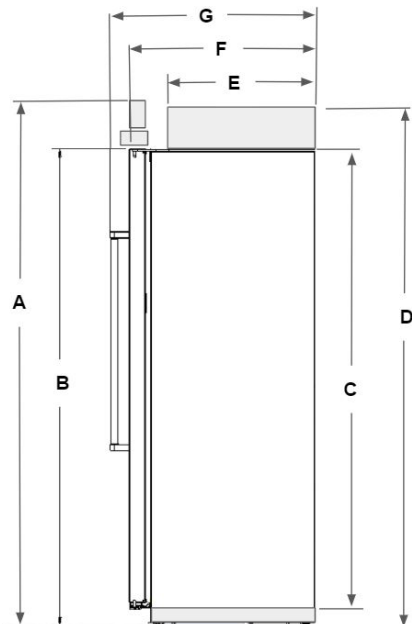
Description		po	cm
A	Largeur de la porte du CG	36 po	15 1/2
		42 po	17 1/2
		48 po	20
B	Largeur de la porte du RF	36 po	20
		42 po	23
		48 po	27
C	Espace entre les portes	1/4	0,65
D	Largeur totale avec bande	36 po	36 3/16
		42 po	42 3/16
		48 po	48 3/16
F	Hauteur des poignées de la porte	39 1/16	99,3
E	Hauteur jusqu'au haut des poignées de la porte	60 9/16	153,8

Description		po	cm
G	Hauteur de la porte	70 <sup>15</sup> / <sub>16</sub>	180,2
H	Hauteur de la grille	3 <sup>9</sup> / <sub>16</sub>	9,0
I	Hauteur jusqu'au bas du distributeur	38 <sup>5</sup> / <sub>16</sub>	97,3
J	Largeur du distributeur	9 <sup>3</sup> / <sub>16</sub>	23,3
K	Hauteur du distributeur	7 <sup>11</sup> / <sub>16</sub>	19,5
L	Distance entre l'emplacement de la canalisation d'eau et le côté	17 <sup>3</sup> / <sub>4</sub>	45,0
M	Distance entre l'emplacement de la canalisation d'eau et l'avant	3 <sup>1</sup> / <sub>4</sub>	8,2
N	Hauteur de la grille (haut)	8 <sup>7</sup> / <sub>8</sub>	22,6
O	Jusqu'au bas du soffite massif (minimum et maximum)	83 <sup>1</sup> / <sub>2</sub> 84 <sup>5</sup> / <sub>8</sub>	212,1 215

Lorsque les pieds de nivellement sont totalement déployés de 1 <sup>1</sup>/<sub>4</sub> po (3,2 cm) au-dessous des roulettes, ajouter 1 <sup>1</sup>/<sub>8</sub> po (2,9 cm) à la hauteur totale.

### Vue latérale

- La profondeur de l'avant de la grille supérieure à l'arrière de la caisse du réfrigérateur est de 25 <sup>3</sup>/<sub>8</sub> po (64,5 cm).
- La longueur du cordon d'alimentation est de 84 po (213 cm).
- Les dimensions de hauteur indiquées correspondent à la situation où les pieds de nivellement déployés dépassent de 1/8 po (3 mm) au-dessous des roulettes.



Description		po	cm
A	Hauteur totale	83 <sup>3</sup> / <sub>8</sub>	211,8
B	Hauteur jusqu'au sommet des portes	74 <sup>1</sup> / <sub>2</sub>	189,2
C	Hauteur de l'armoire	71	180,4
D	Hauteur jusqu'au haut du couvercle du compartiment de la machine	83 <sup>3</sup> / <sub>16</sub>	211,3
E	Profondeur jusqu'au couvercle du compartiment de la machine	19 <sup>15</sup> / <sub>16</sub>	50,6
F	Profondeur avec les portes	25	63,5
G	Profondeur avec les poignées	27 <sup>11</sup> / <sub>16</sub>	70,4

Dimensions de l'intérieur	Largeur		Hauteur	
	po	cm	po	cm
<b>Compartiment de réfrigération</b>				
36 po	17 <sup>5</sup> / <sub>16</sub>	44,0	67 <sup>1</sup> / <sub>16</sub>	170,4
42 po	20 <sup>13</sup> / <sub>16</sub>	52,9		
48 po	24 <sup>5</sup> / <sub>16</sub>	61,8		
<b>Compartiment de congélation</b>				
36 po	11 <sup>13</sup> / <sub>16</sub>	30,0	66 <sup>3</sup> / <sub>4</sub>	169,6
42 po	14 <sup>5</sup> / <sub>16</sub>	36,4		
48 po	16 <sup>13</sup> / <sub>16</sub>	42,7		

Lorsque les pieds de nivellement sont totalement déployés de 1 <sup>1</sup>/<sub>4</sub> po (3,2 cm) au-dessous des roulettes, ajouter 1 <sup>1</sup>/<sub>8</sub> po (2,9 cm) à la hauteur totale.

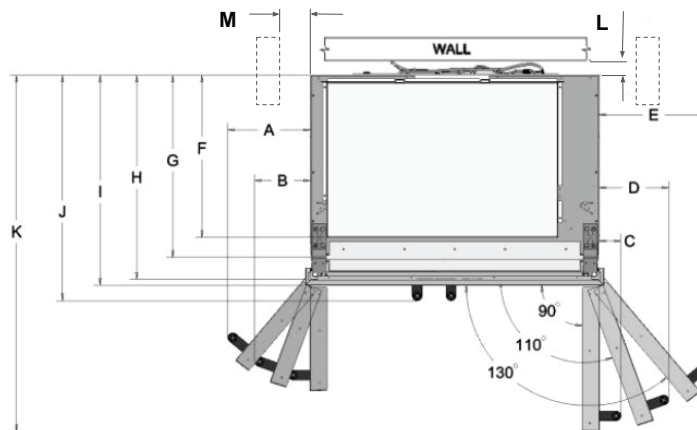


## Dimensions pour l'ouverture des portes

L'emplacement d'installation doit permettre l'ouverture des deux portes à un angle minimal de 90°. Laisser un espace libre d'au moins 5 po (12,7 cm) entre le côté du réfrigérateur et un mur d'angle.

**REMARQUE :** Un espace supplémentaire peut être nécessaire en cas d'utilisation de panneaux décoratifs, poignées personnalisées ou poignées de porte prolongées sur un modèle classique.

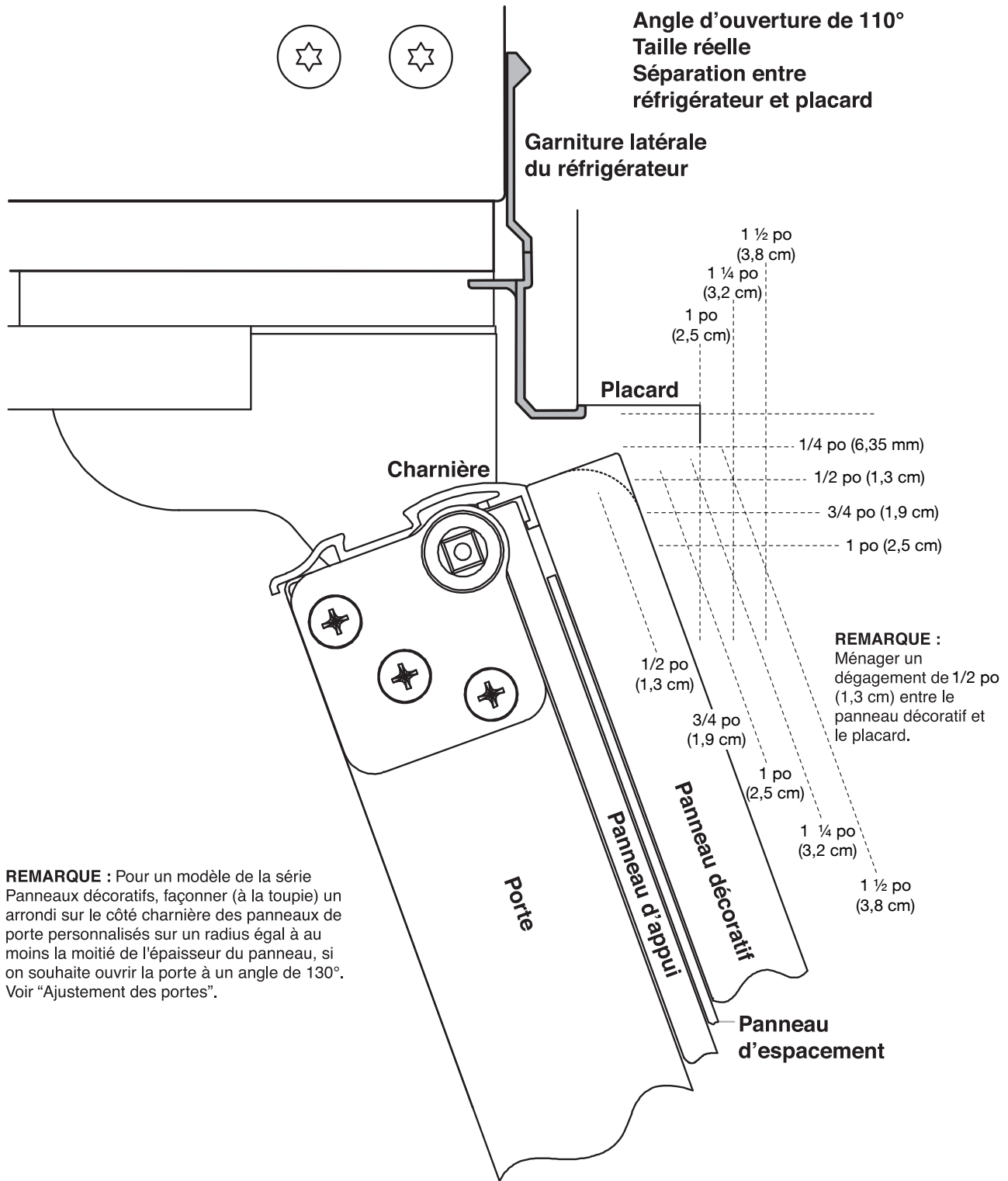
Pour ajuster l'ouverture des portes, voir la section « Ajustement des portes ».



	Description	po	cm
A	Largeur du côté CG du réfrigérateur à la poignée – porte complètement ouverte à 130°	10 11 5/8 13 1/4	25,4 29,5 33,6
B	Largeur du côté CG du réfrigérateur à la poignée – porte complètement ouverte à 110°	6 3/4 7 5/8 8 7/16	17,1 19,3 21,5
C	Largeur du côté CG du réfrigérateur à la poignée – porte ouverte à 90°	2 11/16	6,8
D	Largeur du côté RF du réfrigérateur à la poignée – porte complètement ouverte à 110°	8 7/16 9 5/8 10 7/8	21,5 24,5 27,6
E	Largeur du côté RF du réfrigérateur à la poignée – porte complètement ouverte à 130°	13 1/4 15 1/2 17 3/4	33,6 39,3 45,1
F	Profondeur jusqu'au couvercle du compartiment de la machine	19 15/16	50,6
G	Profondeur sans porte	22 3/8	56,8
H	Profondeur avec les portes	25	63,5
I	Profondeur avec la grille supérieure	25 13/16	65,5
J	Profondeur avec les poignées	27 11/16	70,4
K	Profondeur avec les portes du RF ouvertes à 90°	43 3/4 47 3/16 50 11/16	111,1 119,9 128,8
L	Espace requis pour les canalisations d'eau et le cordon d'alimentation	1	2,54
M	Espace requis pour l'armoire latérale	6	15,24

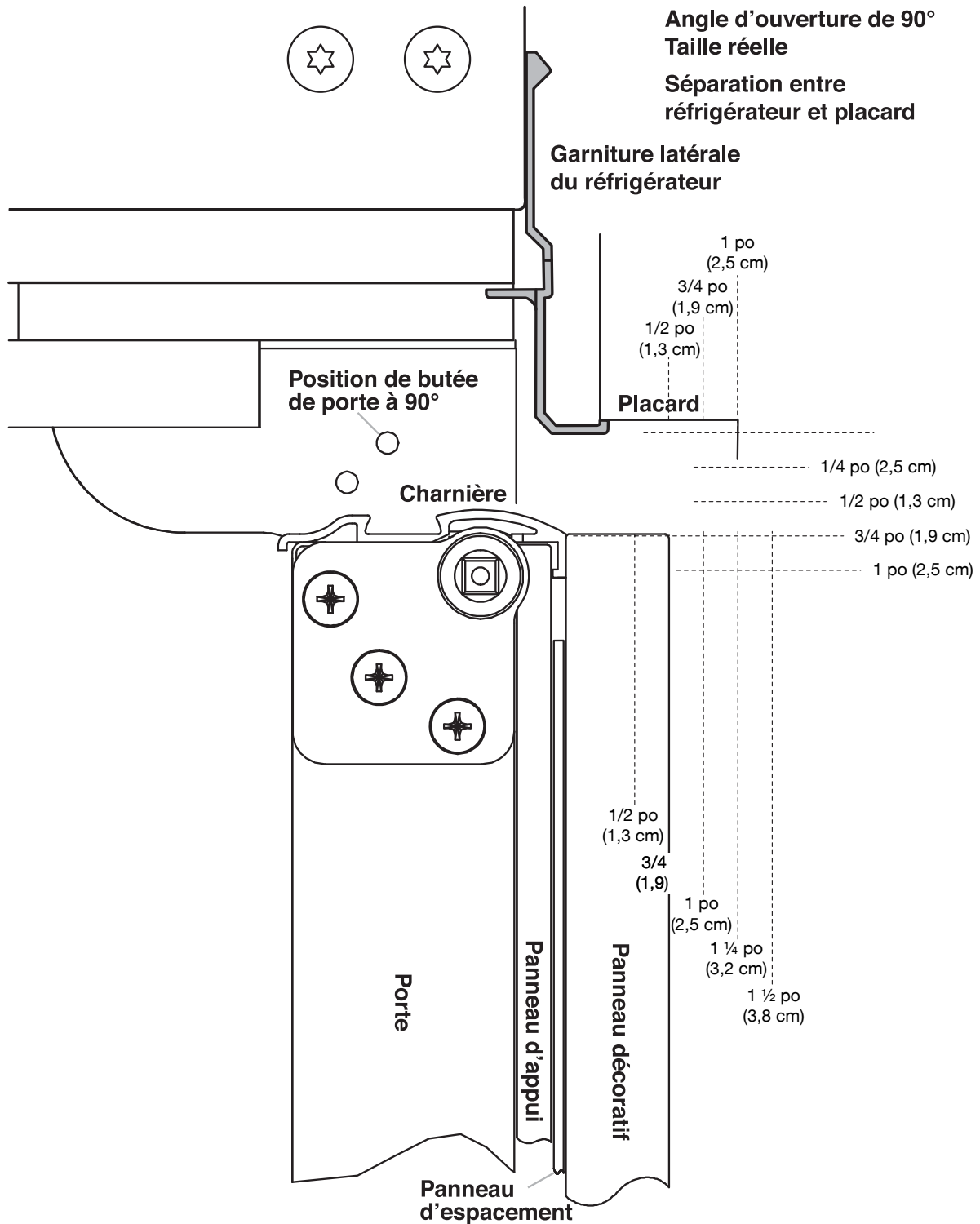
# Dégagement des panneaux de porte de série Overlay et des armoires

Les panneaux de porte personnalisés et les armoires adjacentes doivent être conçus de manière à laisser un espace suffisant pour permettre l'ouverture des portes. Si le réfrigérateur doit être installé près du mur, voir « Ouverture de la porte à 90° » à la page suivante.



**REMARQUE :** Pour un modèle de la série Panneaux décoratifs, façonner (à la toupie) un arrondi sur le côté charnière des panneaux de porte personnalisés sur un radius égal à au moins la moitié de l'épaisseur du panneau, si on souhaite ouvrir la porte à un angle de 130°. Voir "Ajustement des portes".

Lorsque les portes sont fermées, le réfrigérateur s'étendra dans une certaine mesure au-delà des armoires adjacentes.



Laisser un espace libre d'au moins 5 po (12,7 cm) entre le côté du réfrigérateur et un mur d'angle. Un dégagement plus important peut être nécessaire si des panneaux personnalisés plus épais ou des poignées personnalisées sont utilisés. Ne pas négliger les plinthes.

## Panneaux personnalisés de série Overlay et ensembles de poignées

Les panneaux personnalisés permettent d'harmoniser l'extérieur du réfrigérateur avec l'ensemble du décor de la cuisine et d'utiliser des poignées personnalisées pour une plus grande souplesse de design.

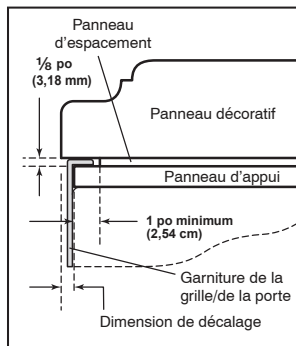
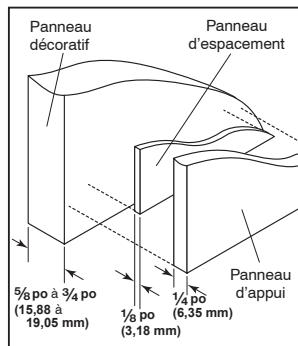
Les panneaux personnalisés doivent être munis de panneaux d'appui pour pouvoir être installés sur le réfrigérateur. Il est habituel de travailler avec trois panneaux, comme indiqué dans l'illustration suivante : un panneau décoratif Overlay, un panneau ou des tringles d'espacement de 1/8 po (3,18 mm) et un panneau d'appui de 1/4 po (6,35 mm).

Dans certains cas, le fabricant des armoires peut préférer travailler avec un seul panneau usiné pour différentes dimensions. Suivre les instructions relatives aux dimensions et au placement du panneau pour s'assurer que les panneaux décoratifs personnalisés conviendront parfaitement.

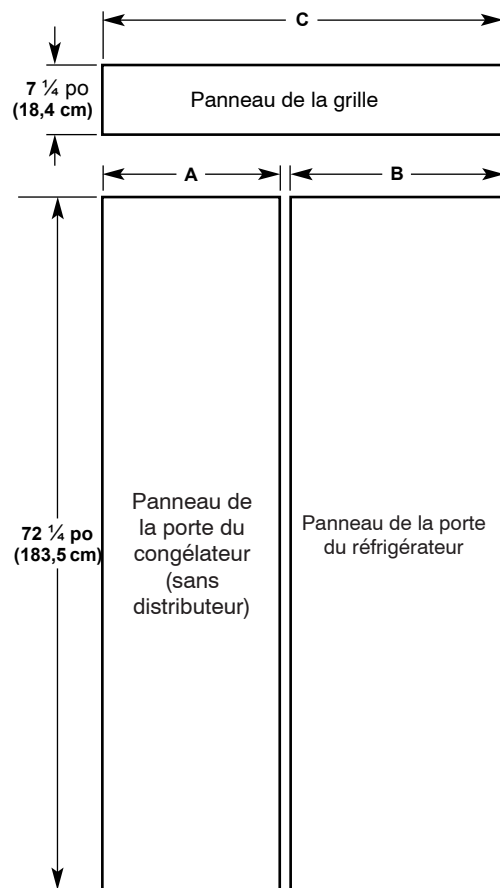
### IMPORTANT :

- Le poids du panneau Overlay de la porte du réfrigérateur ne peut pas dépasser 50 lb (23 kg).
- Le poids du panneau Overlay de la porte du congélateur ne peut pas dépasser 40 lb (18,1 kg).
- Le poids du panneau Overlay de la grille supérieure ne peut pas dépasser 10 lb (4,5 kg).

Pour minimiser le poids du panneau, vous pouvez utiliser des tringles d'espacement de 2 po (5,08 cm) sur le périmètre à la place de panneaux d'espacement massifs de pleine largeur. Les tringles d'espacement doivent être installées à au moins 1 po (2,54 cm) des rives supérieure, inférieure et latérales du panneau d'appui. Si on utilise des tringles d'espacement, il est aussi recommandé d'utiliser deux tringles de 2 po (5,08 cm) centrées horizontalement pour un soutien supplémentaire.



## Panneau décoratif Overlay

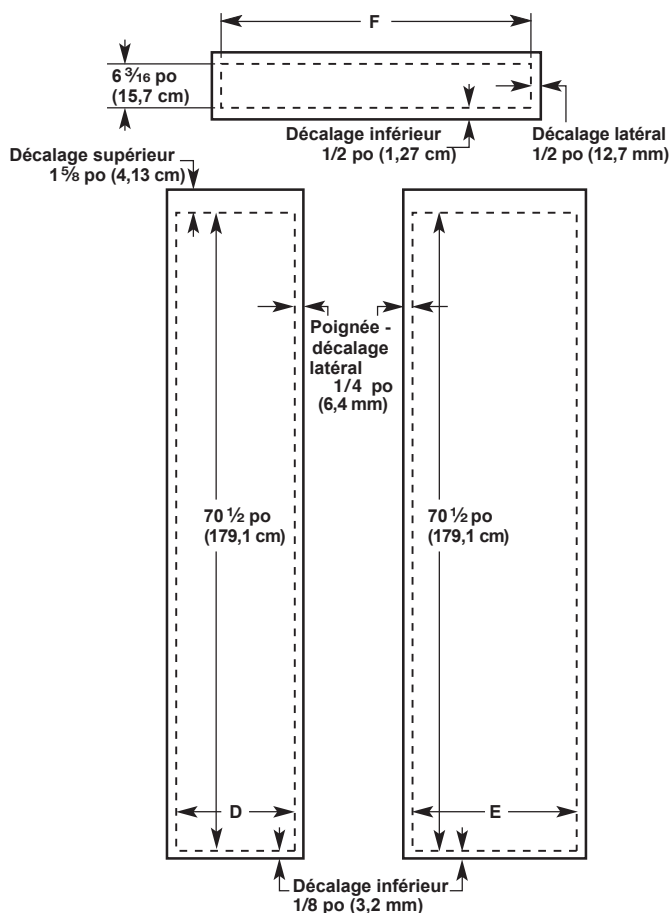


Modèle	A	B	C
42	17 1/4 po (43,82 cm)	23 1/4 po (59,06 cm)	40 3/4 po (103,51 cm)
48	19 3/4 po (50,17 cm)	26 3/4 po (67,95 cm)	46 3/4 po (118,75 cm)

## Panneaux de soutien

### REMARQUE :

- Les lignes pointillées représentent le placement des panneaux de soutien sur les panneaux Overlay.
- L'illustration montre des panneaux de soutien posés sur des panneaux décoratifs Overlay.



Poignée moletée avec capuchons en chrome – W10782873

## Panneaux latéraux personnalisés Série Stainless

Les panneaux latéraux personnalisés peuvent être nécessaires lorsqu'il n'y a pas suffisamment d'espace pour avoir des armoires des deux côtés du réfrigérateur ou lorsque le réfrigérateur est placé à l'extrémité d'une enfilade d'armoires. L'on peut choisir d'installer un panneau inséré, en affleurement ou inséré en retrait.

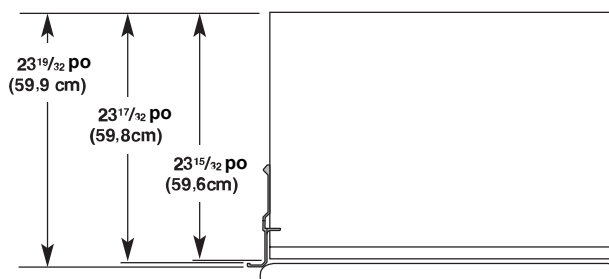
### Dimensions du réfrigérateur et des garnitures latérales

La largeur et la hauteur du panneau latéral sont déterminées en fonction du type d'installation prévu.

#### REMARQUE :

- Les dimensions indiquées sont les dimensions réelles du produit et ne peuvent pas refléter les dimensions nécessaires d'installation des panneaux.
- Le panneau latéral doit avoir une épaisseur minimale d'au moins  $1 \frac{1}{2}$  po (1,27 cm) pour éviter le gauchissement.
- Si la profondeur de l'ouverture est de 25 po (63,5 cm) ou plus, l'on peut souhaiter peut-être installer une planche d'appui sur le mur arrière.

### Réfrigérateur

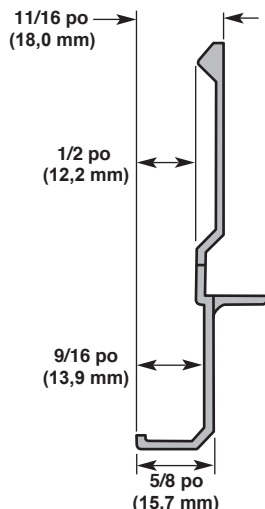


Modèle	D	E	F
42	$16 \frac{3}{4}$ po (42,55 cm)	$22 \frac{3}{4}$ po (57,79 cm)	$39 \frac{3}{4}$ po (100,97 cm)
48	$19 \frac{1}{4}$ po (48,90 cm)	$26 \frac{1}{4}$ po (66,68 cm)	$45 \frac{3}{4}$ po (116,21 cm)

### Ensembles de poignées de porte de série Overlay

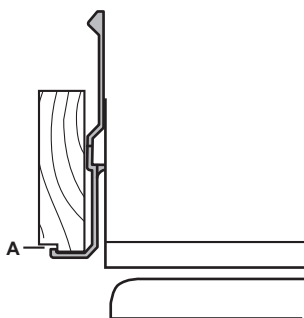
Le style de poignée suivant est disponible. Communiquer avec le revendeur KitchenAid ou composer le **1-800-442-9991** pour pièces et accessoires KitchenAid. Au Canada, composez le **1-800-807-6777**.

## Garnitures latérales



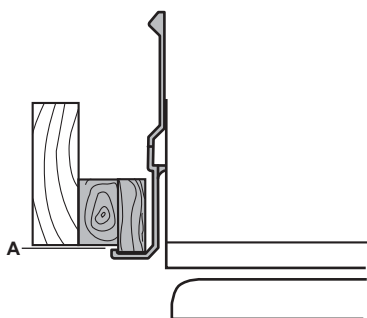
### Dimensions pour un panneau en affleurement

1. Mesurer la distance du point A (comme illustré) à la paroi arrière. Ajouter 1/16 po (1,6 mm) à cette mesure pour que le panneau latéral entre dans la garniture.
2. Si le panneau a plus de 11/32 po (8,7 mm) d'épaisseur, usiner la rive avant du panneau latéral pour que l'insertion soit possible.



### Encasté Dimensions pour un panneau en affleurement

1. Mesurer la distance du point A (comme illustré) à la paroi arrière.
2. Usiner la rive avant de la planche d'appui ou installer une planchette de 3/8 po (9,5 mm) pour la rétention du panneau dans la garniture latérale de la caisse.



# INSTRUCTIONS D'INSTALLATION

## Déballage du réfrigérateur

### ⚠ AVERTISSEMENT



#### Risque de basculement

La partie du haut du réfrigérateur est très lourde, ce qui peut le faire basculer facilement lorsqu'il n'est pas complètement installé.

Garder les portes fermées avec du ruban jusqu'à la fin de l'installation du réfrigérateur.

Utiliser au moins deux personnes pour déplacer et installer le réfrigérateur.

Ne pas respecter cette instruction peut causer un décès ou une blessure grave.

#### IMPORTANT :

- Ne pas ôter la pellicule de couverture avant que le réfrigérateur ne se trouve à son emplacement d'utilisation.
  - Les quatre roulettes doivent toucher le plancher pour supporter et stabiliser le poids total du réfrigérateur.
  - Garder la pièce de carton ou de contreplaqué d'expédition sous le réfrigérateur jusqu'à son installation à l'emplacement final.
1. Retirer et conserver le sachet de documents fixé à l'aide de ruban adhésif sur le côté du réfrigérateur et le sachet de pièces derrière la grille. Enlever les quatre brides (deux de chaque côté) fixant la base utilisée pour l'expédition au bas du réfrigérateur.  
**REMARQUE :** Ne pas enlever les rubans adhésifs et articles d'arrimage des portes avant que le réfrigérateur ne soit placé à son emplacement d'installation final.
  2. Si nécessaire, réduire le rayon de basculement. Au sujet des critères à respecter pour la hauteur sous plafond, voir la section « Rayon de basculement », ou voir les instructions détaillées à la section « Réduction du rayon de basculement ». S'il n'est pas nécessaire de réduire le rayon de basculement, passer à la section « Transporter le réfrigérateur dans la maison ».

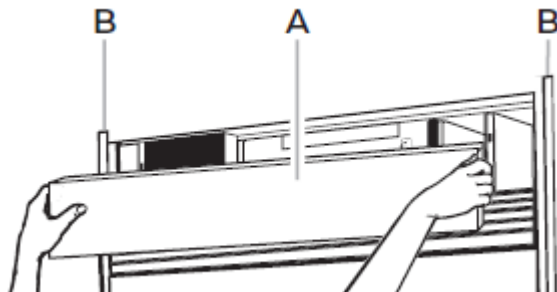
### Réduire le rayon de basculement (le cas échéant)

Avant d'apporter le réfrigérateur dans le domicile, s'assurer que la hauteur du plafond est suffisante pour mettre le réfrigérateur en position verticale. Voir le point « Rayon de basculement » dans la section « Exigences d'installation » pour plus d'information.

Si la hauteur du plafond n'est pas suffisante pour mettre le réfrigérateur debout, le rayon de basculement peut être réduit en enlevant la grille supérieure et les garnitures latérales (voir le tableau suivant).

Modèle	Rayon de basculement réduit
36	89 po (225,9 cm)
42	90 1/2 po (229,9 cm)
48	91 1/4 po (231,8 cm)

1. Saisir les deux extrémités de la grille supérieure.
2. Pousser la grille supérieure tout droit vers le haut; puis tout droit vers l'extérieur. Placer la grille sur une surface protégée.



A. Grille supérieure  
B. Garniture latérale de la caisse

3. Enlever les 6 vis fixant chaque garniture latérale de la caisse au réfrigérateur et enlever les garnitures latérales.

## Déplacement du réfrigérateur dans le domicile

### **⚠ Avertissement**



#### Risque de basculement

La partie du haut du réfrigérateur est très lourde, ce qui peut le faire basculer facilement lorsqu'il n'est pas complètement installé.

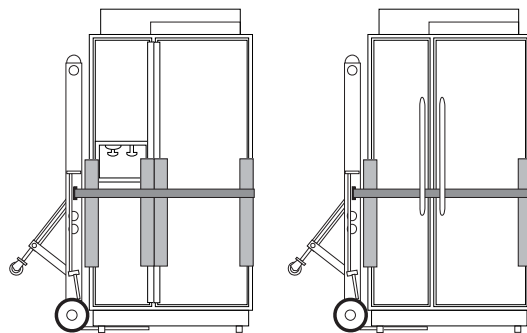
Garder les portes fermées avec du ruban jusqu'à la fin de l'installation du réfrigérateur.

Utiliser au moins deux personnes pour déplacer et installer le réfrigérateur.

Ne pas respecter cette instruction peut causer un décès ou une blessure grave.

1. Introduire un chariot de manipulation sous le côté gauche du réfrigérateur, comme illustré. Placer les coins de protection de l'emballage sur les garnitures comme il convient. Serrer lentement la sangle.

**REMARQUE :** Faire passer la sangle du chariot sous les poignées pour modèle de série Stainless.



2. Placer des bouts du carton d'expédition sur le plancher lorsqu'on fait rouler le chariot et le réfrigérateur pour les faire entrer dans le domicile. Approcher le réfrigérateur près de l'ouverture d'encastrement.
3. Placer le dessus du carton ou du contreplaqué sous le réfrigérateur.
4. Mettre le réfrigérateur en position verticale. Placer d'abord le bord inférieur gauche du réfrigérateur sur le plancher, puis mettre le réfrigérateur debout et abaisser ensuite le côté droit du réfrigérateur sur le plancher.
5. Réinstaller la garniture et la grille supérieure après avoir retiré le chariot du réfrigérateur.

## Installation de planches antibasculement

### IMPORTANT :

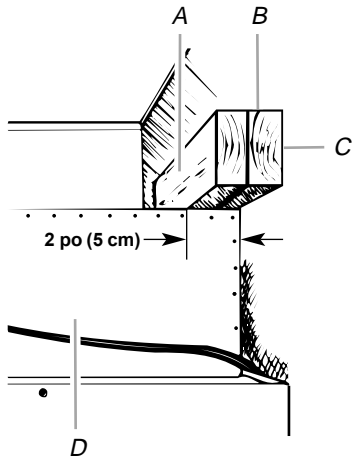
- Si aucun soffite massif n'est disponible, une planche antibasculement doit être installée.
- On recommande la mise en place de planches avant l'installation du réfrigérateur.
- Il faut que les panneaux soient assez longs pour recouvrir complètement le couvercle du compresseur sur toute la largeur.
- Placer les panneaux de telle manière que les surfaces inférieures se trouvent à 84 po (213 cm) du plancher.
- Pendant l'installation, soulever le réfrigérateur jusqu'à ce que le haut du réfrigérateur soit en contact avec le bas des panneaux antibasculement. Veiller à ne pas écraser le couvercle du compresseur lors du soulèvement des pieds de nivellement arrière.

**REMARQUE :** Le joint en mousse sur le sommet du couvercle du compresseur se comprimera pour tenir sous la ou les panneaux antibasculement. Il n'est pas nécessaire de découper le joint.

### Installation des planches antibasculement

1. Marquer les emplacements des montants sur le mur arrière.
2. Fixer solidement deux planches de 2 x 4 x 32 po (5 cm x 10 cm x 81 cm) sur les montants muraux derrière le réfrigérateur. Utiliser 6 vis à bois no 8 x 3 po (7,6 cm) ou plus longues. Les vis à bois doivent pénétrer dans les montants d'au moins 1 1/2 po (3,8 cm). Les planches doivent être placées en chevauchement sur le couvercle du compresseur.





- A. Centrer la planche au-dessus du réfrigérateur à une distance maximale de 1/4 po (6,35 mm)
- B. Deux panneaux de 2 po x 4 po x 32 po (5 cm x 10 cm x 81 cm)
- C. aux montants avec six vis no 8 x 3 po (7,6 cm)
- D. Couvercle du compresseur

## Raccordement à la canalisation d'eau

Lire toutes les instructions avant de commencer.

### IMPORTANT :

- Si on doit mettre en marche le réfrigérateur avant que la canalisation d'eau ne soit connectée, placer la machine à glaçons à ARRÊT (OFF).
- Brancher sur une alimentation en eau potable uniquement.

Ne pas utiliser ce produit pour filtrer une eau microbiologiquement polluée ou de qualité inconnue en l'absence d'un dispositif de désinfection adéquat en amont ou en aval du système. Les systèmes certifiés pour la réduction des kystes peuvent être utilisés pour une eau désinfectée susceptible de contenir des kystes filtrables.

## Raccordement à la canalisation d'eau

### Pièces nécessaires

- Canalisation flexible d'alimentation en eau homologuée conformément aux codes en vigueur de 7 pi (2,13 m).

### Style 1 – Connexion avec robinet d'arrêt

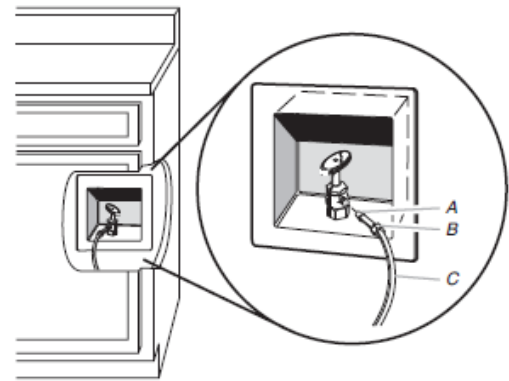
**REMARQUE :** Si le raccordement de la canalisation d'eau ne ressemble pas au Style 1, voir « Style 2 – Raccordement de la canalisation en cuivre ».

1. Débrancher le réfrigérateur ou déconnecter la source de courant électrique.

### IMPORTANT :

- Si un robinet d'arrêt se trouve dans un mur situé derrière le réfrigérateur, il n'y a pas suffisamment d'espace pour une installation en affleurement. Le robinet d'arrêt devrait se trouver dans l'armoire inférieure, d'un côté ou l'autre du réfrigérateur.
- Avant de raccorder le tube au robinet d'arrêt, rincer la canalisation d'eau principale pour éliminer l'air et les débris qui s'y trouvent. Laisser s'écouler une quantité d'eau suffisante, jusqu'à ce qu'elle soit limpide. Le rinçage de la canalisation d'eau peut permettre d'éviter l'obstruction des filtres ou celle des robinets.

2. Raccorder la canalisation flexible d'alimentation en eau homologuée conformément aux codes en vigueur au robinet d'arrêt en enfilant l'écrou fourni sur le robinet d'arrêt, comme illustré.



- A. Ampoule
- B. Écrou
- C. Tuyau d'eau

3. Placer l'extrémité du tube dans un seau et OUVRIER (ON) le robinet d'arrêt.
4. Vérifier qu'il n'y a pas de fuites. Si des fuites sont identifiées, resserrer tous les écrous ou connexions concernés (y compris les connexions au niveau du robinet).

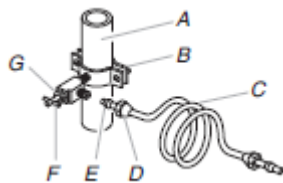
### Style 2 – Raccordement de la canalisation d'eau

**REMARQUE :** S'il y a une canalisation d'alimentation en eau qui satisfait aux exigences des « Exigences d'alimentation en eau », passer à « Raccordement au réfrigérateur ». Si ce n'est pas le cas, utiliser les instructions suivantes pour le raccordement à l'alimentation d'eau froide du domicile.

1. Débrancher le réfrigérateur ou déconnecter la source de courant électrique.
2. Couper l'alimentation principale en eau. Ouvrir le robinet le plus proche assez longtemps pour vider l'eau du tuyau.
3. Trouver une canalisation d'eau froide verticale de 1/2 po à 1 1/4 po (1,3 cm à 3,18 cm) à proximité du réfrigérateur.

### IMPORTANT :

- Vérifier qu'il s'agit d'une canalisation d'eau froide.
  - On peut aussi utiliser une canalisation horizontale; dans ce cas, on devra percer sur la face supérieure du tuyau et non pas au-dessous. Ceci permet de tenir la perceuse à l'écart de l'eau et d'empêcher les sédiments qu'on trouve normalement dans l'eau de s'accumuler dans le robinet d'arrêt.
4. Déterminer la longueur de la canalisation en cuivre à utiliser. Mesurer depuis le point de connexion sur le réfrigérateur à la canalisation d'eau. Ajouter 7 pi (2,1 m) pour permettre les opérations de nettoyage. Utiliser une canalisation en cuivre ou en polyéthylène réticulé de 1/4 po (6,35 mm) de diamètre extérieur. Veiller à ce que la canalisation en cuivre soit coupée d'équerre aux deux extrémités.
  5. À l'aide d'une perceuse sans fil, percer un trou de 1/4 po (6,35 mm) dans la canalisation d'eau froide sélectionnée.



- |                              |                           |
|------------------------------|---------------------------|
| A. Canalisation d'eau froide | E. Virole de compression  |
| B. Bride de tuyau            | F. Robinet d'arrêt        |
| C. Tube de cuivre            | G. Écrou de presse-étoupe |
| D. Écrou de compression      |                           |

- Fixer le robinet d'arrêt sur la canalisation d'eau froide avec la bride de tuyau. Veiller à bien insérer l'extrémité de sortie dans le trou de 1/4 po (6,35 mm) de la canalisation d'eau; veiller à placer correctement le joint sous la bride du tuyau. Serrer l'écrou de serrage. Serrer lentement et uniformément les vis fixant la bride de tuyau sur le tuyau afin d'assurer l'étanchéité du joint.

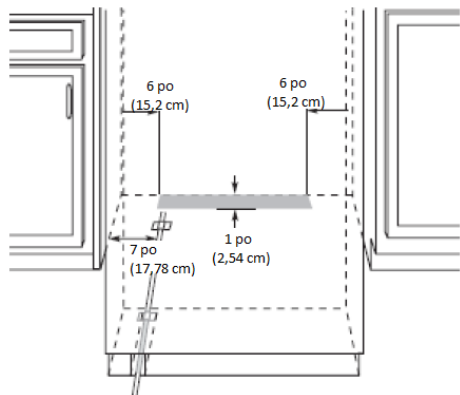
**IMPORTANT :** Avant de raccorder le tube au robinet d'arrêt, rincer la canalisation d'eau principale pour éliminer l'air et les débris qui s'y trouvent. Laisser s'écouler une quantité d'eau suffisante, jusqu'à ce qu'elle soit limpide. Le rinçage de la canalisation d'eau peut permettre d'éviter l'obstruction des filtres ou celle des robinets.

- Enfiler la bague et l'écrou de compression sur la canalisation en cuivre comme illustré. Insérer l'extrémité de la canalisation directement dans l'extrémité de sortie, aussi loin que possible. Visser l'écrou de compression sur l'extrémité de sortie du raccord à l'aide d'une clé à molette. Ne pas serrer excessivement la bride ou la bague. Ceci provoquera l'écrasement du tube de cuivre.
- Fermer le robinet d'arrêt de la canalisation d'eau. Lover le tube de cuivre.
- Raccorder la canalisation flexible d'alimentation en eau homologuée conformément aux codes en vigueur au robinet d'arrêt en enfilaient l'écrou fourni sur le robinet d'arrêt.
- Placer l'extrémité du tube dans un seau et OUVRIER le robinet d'arrêt.
- Inspecter pour rechercher des fuites au niveau du robinet d'arrêt à étriier. Si des fuites sont identifiées, resserrer tous les écrous ou connexions concernés (y compris les connexions au niveau du robinet).

## Raccordement au réfrigérateur

### Pièces fournies

- Raccord mâle-mâle 1/4 po – 1/4 po (6,35 mm – 6,35 mm)



**REMARQUE :** La canalisation flexible d'alimentation en eau, homologuée conformément aux codes en vigueur, doit être raccordée à la vanne d'alimentation par le sol.

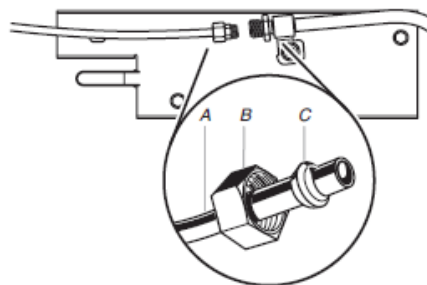
- Débrancher le réfrigérateur ou déconnecter la source de courant électrique.
- Raccorder le tube flexible de 7 pi (2,13 m) homologué conformément aux codes en vigueur au robinet d'alimentation en eau.
- Rincer la canalisation d'alimentation en eau principale pour éliminer les particules et l'air présents dans la canalisation d'eau. Laisser s'écouler une quantité d'eau suffisante, jusqu'à ce qu'elle soit limpide.
- Avec du ruban adhésif, fixer la canalisation flexible d'alimentation en eau approuvée par les codes en vigueur de 7 pi (2,13 m) au plancher, à 7 po (17,78 cm) du côté gauche du réfrigérateur. La fixer le long du tube; ceci lui permet ainsi de passer sous le réfrigérateur sans rencontrer d'obstacle.

**REMARQUE :** Laisser pendre un minimum de 26 po (66,04 cm) de la canalisation flexible d'alimentation en eau approuvée par les codes en vigueur à l'avant du réfrigérateur pour le raccordement au réfrigérateur.

- Raccorder la canalisation flexible d'alimentation en eau approuvée par les codes en vigueur de 7 pi (2,13 m) au réfrigérateur.

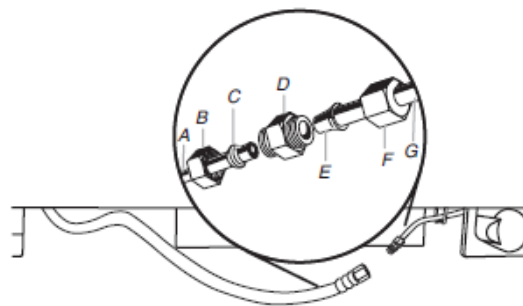
**REMARQUE :** Si le robinet d'arrêt principal se trouve derrière le réfrigérateur, un deuxième robinet d'arrêt peut être installé en ligne directe avec la canalisation d'alimentation en eau, à l'avant du produit.

### Raccord par-dessus le surmoulage (sur certains modèles)



- |                                   |
|-----------------------------------|
| A. Canalisation d'eau du domicile |
| B. Écrou (à acheter)              |
| C. Virole (à acheter)             |

### Raccord discret (sur certains modèles)



- |                                   |                                 |
|-----------------------------------|---------------------------------|
| A. Canalisation d'eau du domicile | E. Ampoule                      |
| B. Écrou (à acheter)              | F. Écrou                        |
| C. Virole (à acheter)             | G. Tuyau d'eau du réfrigérateur |
| D. Raccord                        |                                 |

- Ouvrir l'alimentation en eau et inspecter tous les raccords pour identifier toute fuite éventuelle.

## Brancher le réfrigérateur

### ⚠ AVERTISSEMENT



#### Risque de décharge électrique

Brancher l'appareil sur une prise à 3 alvéoles reliée à la terre.

Ne pas enlever la prise de liaison à la terre.

Ne pas utiliser d'adaptateur.

Ne pas utiliser de rallonge.

Le non-respect de ces instructions peut causer un décès, un incendie ou une décharge électrique.

Si le cordon d'alimentation est endommagé, il doit être remplacé par le fabricant, son agent de service ou toute autre personne également qualifiée. Ne pas utiliser un cordon craquelé ou qui présente des dommages d'abrasion sur la gaine ou la fiche de connexion.

1. Régler la commande sur la partie supérieure de la caisse à la position OFF (arrêt).
2. Brancher l'appareil sur une prise à 3 alvéoles reliée à la terre.

## Déplacement du réfrigérateur à son emplacement définitif

### ⚠ AVERTISSEMENT



#### Risque de basculement

La partie du haut du réfrigérateur est très lourde, ce qui peut le faire basculer facilement lorsqu'il n'est pas complètement installé.

Garder les portes fermées avec du ruban jusqu'à la fin de l'installation du réfrigérateur.

Utiliser au moins deux personnes pour déplacer et installer le réfrigérateur.

Ne pas respecter cette instruction peut causer un décès ou une blessure grave.

**IMPORTANT :** Avant de déplacer le réfrigérateur, vérifier que les pieds sont relevés (aucun contact avec le plancher) et que le réfrigérateur repose sur ses roulettes afin d'éviter d'endommager le plancher.

1. Placer le dessus du carton ou du contreplaqué sous le réfrigérateur. Retirer le chariot.
2. Ne pas ôter la pellicule ou le couvercle.

3. Replacer le réfrigérateur en ligne droite dans l'ouverture; le placer de façon à ce que les dégagements autour de l'appareil soient uniformes. Veiller à ce que les garnitures latérales du réfrigérateur n'interfèrent pas avec l'ouverture de la porte. S'assurer également que la canalisation d'arrivée d'eau n'est pas déformée et que le cordon d'alimentation électrique se trouve sur le dessus du réfrigérateur.

## Réglage de l'aplomb et alignement du réfrigérateur

### ⚠ AVERTISSEMENT



#### Risque de basculement

La partie du haut du réfrigérateur est très lourde, ce qui peut le faire basculer facilement lorsqu'il n'est pas complètement installé.

Garder les portes fermées avec du ruban jusqu'à la fin de l'installation du réfrigérateur.

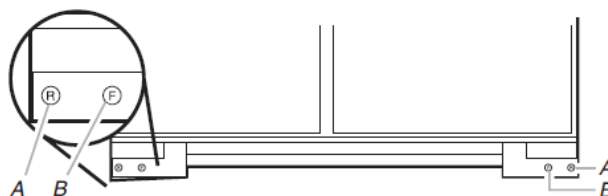
Utiliser au moins deux personnes pour déplacer et installer le réfrigérateur.

Ne pas respecter cette instruction peut causer un décès ou une blessure grave.

**IMPORTANT :** Les quatre roulettes doivent toucher le plancher pour supporter et stabiliser le poids total du réfrigérateur. Les roulettes ne sont utilisées que pour le déplacement du réfrigérateur, et non pas pour un soutien permanent.

Après avoir déplacé le réfrigérateur jusqu'à sa position de service finale :

1. Utiliser un tournevis à douille de 5/16 po pour faire tourner les boulons de réglage de l'aplomb dans le sens horaire et déployer les pieds vers le plancher (voir illustration). Les roulettes ne doivent plus être en contact avec le plancher.

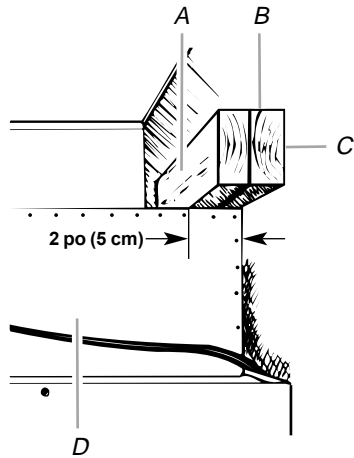


- A. Boulon d'ajustement de l'aplomb (arrière)  
B. Boulon d'ajustement de l'aplomb (avant)

2. Ajuster les pieds de réglage de l'aplomb et établir l'aplomb du réfrigérateur de gauche à droite et d'avant à arrière de façon à ce qu'il soit d'aplomb et aligné avec l'armoire. La surface de l'armoire doit être verticale pour une insertion parfaite de la garniture latérale du réfrigérateur.

- Ajuster tous les pieds de réglage de l'aplomb pour soulever le réfrigérateur jusqu'à ce que la partie supérieure se situe à au moins 1 po (2,54 cm) du soffite supérieur.

**REMARQUE :** Si une planche antibasculement a été utilisée, ajuster les pieds de réglage de l'aplomb jusqu'à ce que la partie supérieure du réfrigérateur se situe à 1/4 po (6,35 mm) du bas de la planche antibasculement (voir illustration). Ne pas écraser le couvercle du compresseur.



- Deux panneaux de 2 po x 4 po x 32 po (5 cm x 10 cm x 81 cm)
- aux montants avec six vis no 8 x 3 po (7,6 cm).
- Couvercle du compresseur
- Distance entre le bas du panneau antibasculement et le plancher

- Après avoir établi l'aplomb du réfrigérateur, utiliser une rive de niveau ou placer un niveau de 4 pi devant les cales d'installation du réfrigérateur et les armoires pour vérifier que le réfrigérateur est toujours en affleurement.

## Installation des panneaux personnalisés de série Overlay

### ⚠ AVERTISSEMENT

#### Risque de poids excessif

Utiliser au moins deux personnes pour déplacer et installer le panneau.

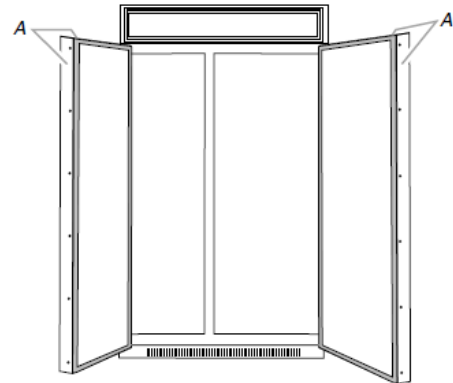
Le non-respect de cette instruction peut causer une blessure au dos ou d'autres blessures.

#### IMPORTANT :

- Installer les poignées personnalisées avant d'installer les panneaux sur le réfrigérateur. Pour plus d'informations sur le choix de la poignée personnalisée KitchenAid, consulter le catalogue KitchenAid, visiter [www.kitchenaid.com](http://www.kitchenaid.com), ou composer le 1-800-422-9991. Au Canada, consulter [www.KitchenAid.ca](http://www.KitchenAid.ca) ou composer le 1-800-807-6777.
- Réaliser des panneaux personnalisés Overlay selon les spécifications de la section « Panneaux personnalisés de série Overlay ».
- KitchenAid n'est pas responsable des opérations d'enlèvement et de réinstallation des moulures ou panneaux décoratifs qui entraveraient l'accès au réfrigérateur lors d'une intervention de réparation.

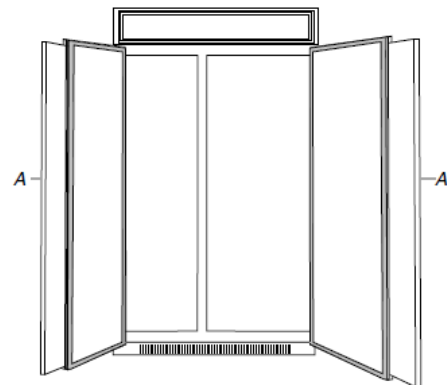
## Installation du panneau de porte

- Débarrasser les portes du réfrigérateur et du congélateur de leurs matériaux et ruban adhésif de maintien.
- Ouvrir les portes de compartiment du réfrigérateur et du congélateur.
- Retirer les garnitures supérieure et de côté poignée.



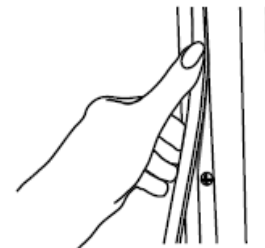
A. Garniture

- Faire glisser les panneaux personnalisés dans les garnitures inférieures et latérales des charnières des portes du compartiment réfrigérateur et du congélateur, en veillant à ce que le panneau de soutien s'insère bien dans les garnitures latérales des charnières.



A. Panneaux

- Réinstaller les garnitures supérieure et de côté poignée.
- Enlever la pellicule des cache-vis. Enclencher les cache-vis dans la section de garniture de la poignée.



- Vérifier que le réfrigérateur est d'aplomb et aligné avec l'armoire. Ajuster si nécessaire.

# Ajustement des portes

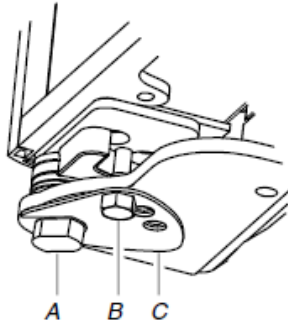
## Réglage de la hauteur de la porte

Suivre les étapes suivantes pour ajuster la hauteur des portes vers le haut ou vers le bas, après que les portes ont été mises d'aplomb.

1. Ouvrir la porte du congélateur ou du réfrigérateur. Localiser la charnière inférieure et retirer la vis de butée de la porte.

### Modèles Stainless (acier inoxydable)

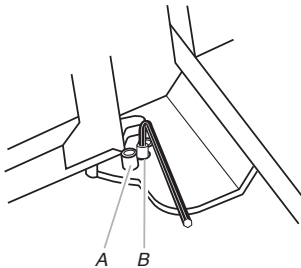
Ôter la vis de la plaque de verrouillage sur la face inférieure de la charnière à l'aide d'une clé à fourche de 3/8 po.



- A. Bague
- B. Vis de butée de porte
- C. Plaque de verrouillage

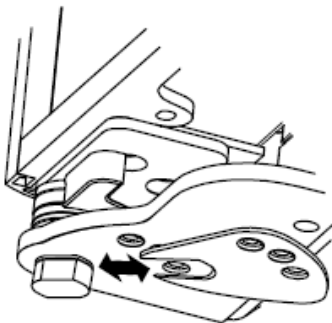
### Modèles Overlay (revêtement)

Retirer les 2 vis de butée de porte : une du côté inférieur à l'aide d'une clé à fourche de 3/8 po et une du côté supérieur à l'aide de la clé hexagonale de 5/32 po.



- A. Vis de butée de porte sur la face inférieure
- B. Vis de la plaque de verrouillage sur la face supérieure (110°)

2. Enlever la plaque de verrouillage comme illustré.

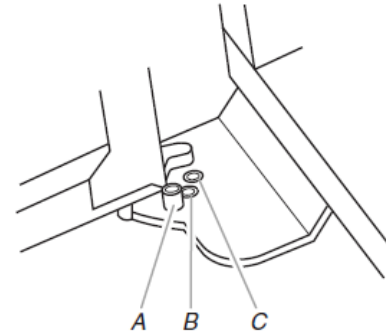


3. Faire tourner les bagues situées sous la charnière – utiliser une clé à fourche de 1/2 po. La rotation de la bague vers la gauche provoque un abaissement de la porte. La rotation de la bague vers la droite provoque un soulèvement de la porte.

4. Après le réglage, contrôler le bon ajustement des portes : niveau identique en haut et en bas. Si les portes ne sont pas égales, continuer de tourner la bague pour ajuster la hauteur de la porte.
5. Réinstaller la plaque de verrouillage.
6. Tourner légèrement la bague pour aligner les trous de vis de la charnière et de la plaque de verrouillage.
7. Réinstaller la ou les vis de la butée de porte et serrer.  
**IMPORTANT** : Ne pas placer la vis de butée de la porte en position 130° sur les modèles de la série Overlay, à moins que les panneaux personnalisés aient été acheminés du côté de la charnière. Voir « Dégagement des panneaux de porte de série Overlay et des armoires ».
8. Procéder à une vérification finale pour s'assurer que les portes sont alignées et égales.

## Réglage de l'ouverture de la porte

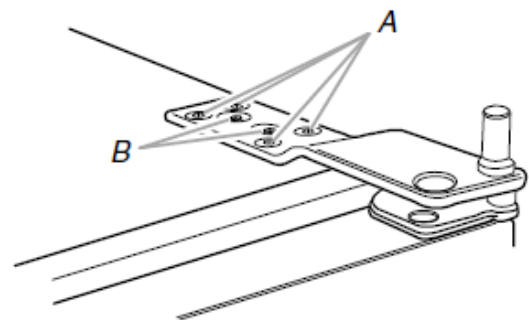
1. Vérifier que la porte du réfrigérateur peut s'ouvrir librement. Si la porte s'ouvre trop grande, enlever la ou les vis de butée de porte (selon le modèle) de la charnière inférieure. Voir la section « Ajustement de la hauteur des portes » plus haut dans cette section.
2. Maintenir la porte à une position inférieure à 90°.
3. Réinstaller la ou les vis de butée de porte dans la charnière inférieure et serrer.



- A. 130°
- B. 110°
- C. 90°

## Réglage de la garniture porte-à-porte ou porte-à-réfrigérateur

1. Desserrer, mais ne pas retirer, les quatre vis de montage à tête plate Torx®† 27. Enlever et jeter les deux vis à tête hexagonale de 1/4 po
2. Régler la charnière supérieure de l'une des deux portes pour l'aligner avec l'autre porte ou la garniture du réfrigérateur.
3. Serrer les quatre vis de montage à tête plate Torx®† 27 d'un couple d'environ 100 lb-po (11,3 Nm).



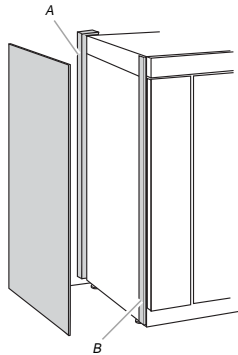
- A. Vis de montage Torx® 27
- B. Vis de montage à tête hexagonale de 1/4 po

## Installation du panneau latéral

Si la profondeur de la cavité d'encastrement est 25 po (63,5 cm) ou plus, on peut insérer chaque panneau latéral dans la garniture latérale ou le fixer à l'extérieur de la garniture latérale.

**IMPORTANT :** KitchenAid n'est pas responsable des opérations d'enlèvement et de réinstallation des moulures ou panneaux décoratifs qui entraveraient l'accès au réfrigérateur lors d'une intervention de réparation.

1. Pour la pièce de garniture latérale interne, insérer la rive avant du panneau latéral usiné dans le profilé de garniture.
2. Clouer la rive arrière du panneau sur la planche d'appui.



A. Planche d'appui (à la paroi arrière)  
B. Garniture latérale de la caisse

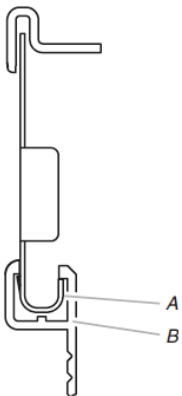
## Installation de la grille de la base

La grille de base comporte deux pièces permettant un ajustement personnalisé : la grille de base elle-même et la plinthe. La plinthe peut être ajoutée à la grille de la base pour la prolonger jusqu'au plancher.

1. Pour voir si la plinthe est nécessaire, placer la grille de la base en position. Ne pas fixer la grille de la base au réfrigérateur. Mesurer la distance entre le fond de la grille de la base et le plancher. L'espace doit mesurer au moins 1/2 po (1,27 cm) pour que l'on puisse ajouter la plinthe.

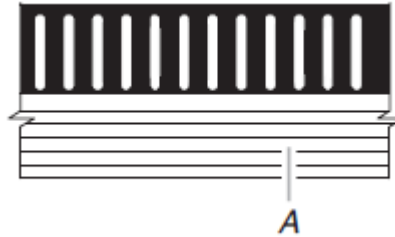
**REMARQUE :** Si l'espace mesure moins que 1/2 po (1,27 cm), omettre les étapes 3 et 4 des instructions et installer uniquement la grille de la base.

2. Enlever la pellicule de protection de la grille de la base.
3. Emboîter la plinthe sur la grille de la base.



A. Grille de la base  
B. Plinthe

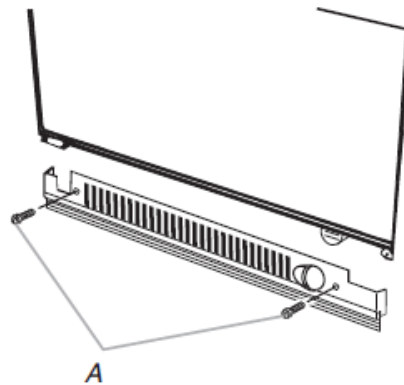
4. Entailler la plinthe en marquant la rainure en V appropriée avec un couteau utilitaire. Briser la plinthe au niveau de la ligne de l'entaille.



A. Rainure en « V »

5. À l'aide des 2 vis, fixer la grille de la base au réfrigérateur, comme illustré.

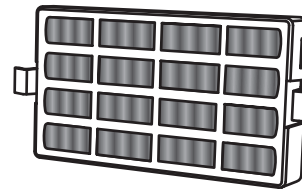
**REMARQUE :** Insérer d'abord la vis du côté droit.



A. (2) vis

## Installer le filtre à odeurs (sur certains modèles)

Sur certains modèles, le sachet d'accessoires du réfrigérateur comprend un filtre à odeurs qui doit être installé avant d'utiliser le réfrigérateur. Sur certains modèles, le filtre à odeurs frais est préinstallé à l'usine.

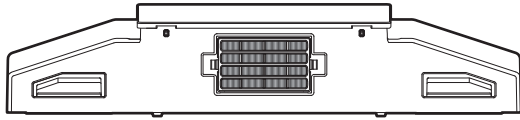


Ce filtre à odeurs réduit l'accumulation d'odeurs. Ceci aide à maintenir un environnement plus propre à l'intérieur du réfrigérateur.



## Installation du filtre à odeurs (sur certains modèles)

Le filtre à odeurs doit être installé derrière la porte à aérations, située (selon le modèle) le long de la paroi intérieure gauche ou arrière, à proximité du sommet du compartiment de réfrigération.



1. Retirer le filtre à odeurs de son emballage.
2. Le mettre en place.
3. Pincer les onglets sur le filtre à odeurs pour retirer le filtre.

## Remplacement du filtre à odeurs

Le filtre à odeurs jetable doit être remplacé tous les 6 mois, lorsque le témoin est entièrement passé du blanc au rouge.

Pour commander un filtre à Odeurs de remplacement, consulter la section « Accessoires » des instructions d'utilisation ou du guide d'utilisation.

- Retirer l'ancien filtre à odeurs en serrant les onglets latéraux.
- Retirer l'ancien témoin.
- Installer le filtre à odeurs et le témoin neufs à l'aide des instructions des sections précédentes.

## Achever l'installation

1. Tourner le robinet de la canalisation d'eau à la position « Ouverte ».
2. Tourner le commutateur du réfrigérateur à la position ON (marche). Voir la section « Interrupteur d'alimentation marche/arrêt » dans le Guide d'utilisation et d'entretien pour plus d'instructions. Attendre quelques minutes. Vérifier les raccords de la canalisation d'eau pour confirmer l'absence de fuites.
3. Retirer les boîtes, composants et matériaux d'emballage de l'intérieur du réfrigérateur. Voir la section « Nettoyage » dans le Guide d'utilisation et d'entretien pour les instructions. Ôter la pellicule et le carton de la grille et des portes ou du châssis de la porte, selon le modèle.
4. Installer les tablettes et balconnets dans les compartiments de réfrigération et de congélation.
5. Les commandes sont préréglées à l'usine au réglage moyen. S'assurer que le compresseur fonctionne bien et que tous les témoins sont en bon état de marche.
6. Purger le circuit d'eau avant l'utilisation. Voir la section « Préparation du circuit d'eau ».

Pour l'utilisation la plus efficace de votre nouveau réfrigérateur encastré, lire le Guide d'utilisation et d'entretien. Conserver les Instructions d'installation et le Guide d'utilisation et d'entretien à proximité du réfrigérateur encastré pour pouvoir les consulter facilement.

## Préparation du circuit d'eau

Veillez lire avant d'utiliser le circuit d'eau. Suivre les instructions relatives au modèle utilisé.

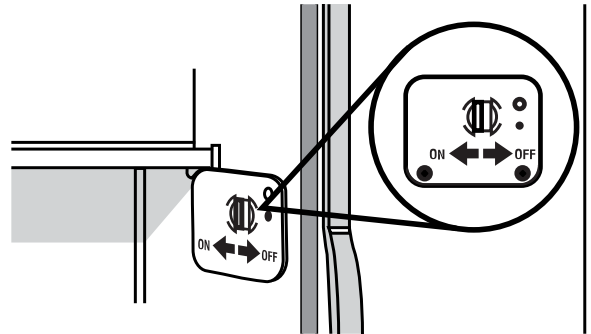
### Style 1 (modèles avec distributeur)

**IMPORTANT :** Après avoir raccordé le réfrigérateur à l'alimentation en eau ou avoir remplacé le filtre à eau, suivre les étapes ci-dessous pour s'assurer que le circuit d'eau est correctement nettoyé. Ceci évacue l'air du filtre et du système de distribution d'eau et rend le filtre à eau opérationnel.

Ne pas utiliser ce produit pour filtrer une eau microbiologiquement polluée ou de qualité inconnue en l'absence d'un dispositif de désinfection adéquat en amont ou en aval du système. Les systèmes certifiés pour la réduction des kystes peuvent être utilisés pour une eau désinfectée susceptible de contenir des kystes filtrables.

**REMARQUE :** Si votre modèle est muni d'un système de filtre à la grille de la base, s'assurer que le filtre à la grille de la base est bien installé et que la capsule est à la position horizontale.

1. Ouvrir la porte du congélateur et éteindre la machine à glaçons. Le commutateur On/Off (marche/arrêt) se trouve dans la partie supérieure droite du compartiment de congélation. Tourner le commutateur au réglage OFF (à droite) comme illustré.



2. Utiliser un récipient robuste pour appuyer sur le levier du distributeur d'eau pendant 5 secondes, puis relâcher le levier pendant 5 secondes. Répéter l'opération jusqu'à ce que l'eau commence à couler. Une fois que l'eau commence à couler, continuer d'appuyer puis de relâcher le levier du distributeur (appui pendant 5 secondes, relâchement pendant 5 secondes) jusqu'à ce qu'un total de 3 gallons (12 L) soit distribué. Ceci évacue l'air du filtre et du système de distribution d'eau et rend le filtre à eau opérationnel. Un amorçage supplémentaire peut s'avérer nécessaire dans certains domiciles.

**REMARQUE :** Pendant l'évacuation de l'air du système, de l'eau peut gicler du distributeur.



- Ouvrir la porte du congélateur et mettre en marche la machine à glaçons. Mettre le commutateur à la position ON (marche) (vers la gauche).

**REMARQUE :**

- Prévoir un délai de 24 heures pour la production du premier lot de glaçons.
- Jeter les trois premiers lots de glaçons produits.
- Prévoir un délai de 3 jours pour le remplissage complet du récipient à glaçons.
- Selon le modèle que vous avez, vous pouvez vouloir choisir la caractéristique de production maximale de glaçons pour augmenter la production de glaçons.

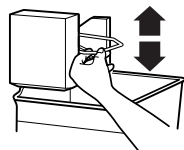
**Style 2 (modèles sans distributeur)**

**IMPORTANT :** Après avoir raccordé le réfrigérateur à une source d'alimentation en eau ou avoir remplacé le filtre à eau, remplir et jeter deux bacs à glaçons complets pour préparer l'utilisation du filtre à eau avant de consommer les glaçons.

Ne pas utiliser ce produit pour filtrer une eau microbiologiquement polluée ou de qualité inconnue en l'absence d'un dispositif de désinfection adéquat en amont ou en aval du système. Les systèmes certifiés pour la réduction des kystes peuvent être utilisés pour une eau désinfectée susceptible de contenir des kystes filtrables.

**IMPORTANT :** Si votre modèle est muni d'un système de filtre à la grille de la base, s'assurer que le filtre à la grille de la base est bien installé et que la capsule est à la position horizontale.

- Mettre la machine à glaçons en marche. Abaisser le bras de commande d'arrêt métallique comme illustré. Consulter la section « Machine à glaçons et bac d'entreposage » pour obtenir plus de renseignements sur le fonctionnement de la machine à glaçons.



**REMARQUE :**

- Prévoir un délai de 24 heures pour la production du premier lot de glaçons.
- Prévoir un délai de 3 jours pour le remplissage complet du récipient à glaçons.
- Selon le modèle que vous avez, vous pouvez vouloir choisir la caractéristique de production maximale de glaçons pour augmenter la production de glaçons.

## CARACTÉRISTIQUES DU RÉFRIGÉRATEUR

### Distributeurs d'eau et de glaçons

Veuillez lire avant d'utiliser le circuit d'eau. Suivre les instructions relatives au modèle utilisé.

**Style 1 (modèles avec distributeur)**

**IMPORTANT :**

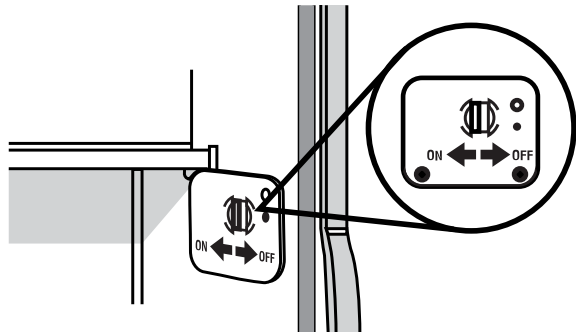
- Après avoir raccordé le réfrigérateur à l'alimentation en eau ou avoir remplacé le filtre à eau, suivre les étapes ci-dessous pour s'assurer que le circuit d'eau est correctement nettoyé. Ceci évacue l'air du filtre et du système de distribution d'eau et rend le filtre à eau opérationnel.

- Brancher sur une alimentation en eau potable uniquement.

Ne pas utiliser ce produit pour filtrer une eau microbiologiquement polluée ou de qualité inconnue en l'absence d'un dispositif de désinfection adéquat en amont ou en aval du système. Les systèmes certifiés pour la réduction des kystes peuvent être utilisés pour une eau désinfectée susceptible de contenir des kystes filtrables.

**REMARQUE :** Si votre modèle est muni d'un système de filtre à la grille de la base, s'assurer que le filtre à la grille de la base est bien installé et que la capsule est à la position horizontale.

- Ouvrir la porte du congélateur et éteindre la machine à glaçons. Le commutateur ON/OFF (MARCHE/ARRÊT) se trouve dans la partie supérieure droite du compartiment de congélation. Tourner le commutateur au réglage OFF (ARRÊT) (à droite) comme illustré.



- Utiliser un récipient robuste pour appuyer sur le levier du distributeur d'eau pendant 5 secondes, puis relâcher le levier pendant 5 secondes. Répéter l'opération jusqu'à ce que l'eau commence à couler. Une fois que l'eau commence à couler, continuer d'appuyer puis de relâcher le levier du distributeur (appui pendant 5 secondes, relâchement pendant 5 secondes) jusqu'à ce qu'un total de 3 gallons (12 L) soit distribué. Ceci évacue l'air du filtre et du système de distribution d'eau et rend le filtre à eau opérationnel. Un amorçage supplémentaire peut s'avérer nécessaire dans certains domiciles.

**REMARQUE :** Pendant l'évacuation de l'air du système, de l'eau peut gicler du distributeur.

- Ouvrir la porte du congélateur et mettre en marche la machine à glaçons. Mettre le commutateur à la position ON (MARCHE) (vers la gauche).

**Remarques :**

- Prévoir un délai de 24 heures pour la production du premier lot de glaçons.
- Jeter les trois premiers lots de glaçons produits.
- Prévoir un délai de 3 jours pour le remplissage complet du récipient à glaçons.

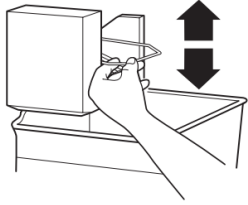
**Style 2 (modèles sans distributeur)**

**IMPORTANT :** Après avoir raccordé le réfrigérateur à une source d'alimentation en eau ou avoir remplacé le filtre à eau, remplir et jeter deux bacs à glaçons complets pour préparer l'utilisation du filtre à eau avant de consommer les glaçons.

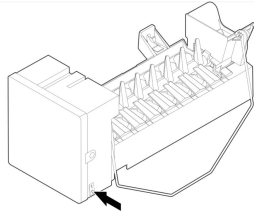
Ne pas utiliser ce produit pour filtrer une eau microbiologiquement polluée ou de qualité inconnue en l'absence d'un dispositif de désinfection adéquat en amont ou en aval du système. Les systèmes certifiés pour la réduction des kystes peuvent être utilisés pour une eau désinfectée susceptible de contenir des kystes filtrables.

**REMARQUE :** Si votre modèle est muni d'un système de filtre à la grille de la base, s'assurer que le filtre à la grille de la base est bien installé et que la capsule est à la position horizontale.

1. Pour les machines à glaçons avec interrupteur, utiliser l'interrupteur pour mettre en marche/arrêter la machine à glaçons.



Sans interrupteur



Avec interrupteur

#### Remarques :

- Prévoir un délai de 24 heures pour la production du premier lot de glaçons.
- Prévoir un délai de 3 jours pour le remplissage complet du récipient à glaçons.
- Selon le modèle que vous avez, vous pouvez vouloir choisir la caractéristique de production maximale de glaçons pour augmenter la production de glaçons.

#### IMPORTANT :

- Après avoir raccordé le réfrigérateur à une source d'alimentation en eau ou remplacé le filtre à eau, vidanger le circuit d'eau. Utiliser un récipient robuste pour appuyer sur le levier du distributeur d'eau pendant 5 secondes, puis relâcher le levier pendant 5 secondes. Répéter l'opération jusqu'à ce que l'eau commence à couler. Une fois que l'eau commence à couler, continuer d'appuyer puis de relâcher le levier du distributeur (appui pendant 5 secondes, relâchement pendant 5 secondes) jusqu'à ce qu'un total de 3 gallons (12 L) soit distribué. Ceci évacue l'air du filtre et du système de distribution d'eau et rend le filtre à eau opérationnel. Un amorçage supplémentaire peut s'avérer nécessaire dans certains domiciles.

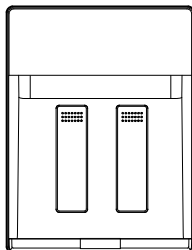
**REMARQUE :** Pendant l'évacuation de l'air du système, de l'eau peut gicler du distributeur.

- Attendre 24 heures pour que le réfrigérateur et l'eau refroidissent.
- Prévoir un délai de 24 heures pour la production du premier lot de glaçons. Jeter les trois premiers lots de glaçons produits.
- Le système de distribution ne fonctionne pas lorsque la porte du congélateur est ouverte.
- Selon votre modèle, les distributeurs d'eau et de glaçons peuvent comporter une ou plusieurs des caractéristiques suivantes : Un plateau de distributeur, une lampe spéciale qui s'allume à l'occasion de l'utilisation du distributeur ou une option de verrouillage pour éviter une distribution non intentionnelle.

### Distributeur d'eau

#### Distribution d'eau :

1. Appuyer un verre résistant contre la plaque du distributeur d'eau.



#### Remarques :

- L'eau n'est distribuée que lorsque la porte de gauche est fermée et s'arrêtera à l'ouverture de la porte.
- Il n'est PAS possible de distribuer de l'eau et des glaçons en même temps. La plaque sur laquelle on appuie en premier effectue la distribution.

2. Retirer le verre pour arrêter la distribution.

**REMARQUE :** L'eau peut avoir un mauvais goût si vous n'utilisez pas régulièrement le distributeur. Distribuer une quantité suffisante d'eau chaque semaine pour maintenir un approvisionnement frais.

### Distributeur de glace

Les glaçons tombent du bac d'entreposage de la machine à glaçons dans le congélateur lorsqu'on appuie sur la plaque du distributeur. Le système de distribution ne fonctionne pas lorsque la porte du congélateur est ouverte. Pour éteindre la machine à glaçons, voir la section « Machine à glaçons et bac d'entreposage ».

La machine à glaçons peut produire à la fois de la glace concassée et des glaçons. L'écran affiche « CRUSHED » (CONCASSÉE) ou « CUBED » (GLAÇONS) et indique le type de glace sélectionné. Pour modifier le réglage, appuyer sur le bouton ICE (GLACE) avant la distribution de glace.

Pour de la glace concassée, les glaçons sont concassés avant d'être distribués. Cette action peut causer un court délai lors de la distribution de glace concassée. Le bruit du broyeur de glaçons est normal et la dimension des morceaux de glace peut varier. Lorsqu'on passe du mode glace concassée au mode glaçons, quelques onces de glace concassée sont distribuées avec les premiers glaçons.

#### Distribution de glaçons :

1. Appuyer sur le bouton approprié pour sélectionner le type de glace désiré.

**⚠ AVERTISSEMENT**

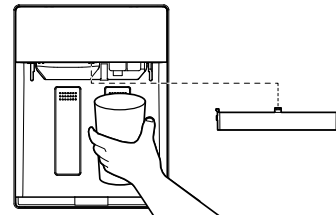


**Risque de coupure**

**Utiliser un verre robuste pour prendre des glaçons.**

**Le non-respect de cette instruction peut causer des coupures.**

2. Appuyer un verre robuste contre la plaque du distributeur de glaçons. Tenir le verre près de l'ouverture du distributeur pour que les glaçons ne tombent pas à côté du verre.



**IMPORTANT :** Il n'est pas nécessaire d'exercer une pression importante sur la plaque pour activer le distributeur de glaçons. Une pression forte ne donne pas une distribution plus rapide de glaçons ou des quantités plus grandes.

- Retirer le verre pour arrêter la distribution.

**REMARQUE :** La distribution de glaçons peut se poursuivre pendant 10 secondes après que le verre a été éloigné de la plaque. Le distributeur peut continuer à faire du bruit pendant quelques secondes après la distribution.

### Plateau de distributeur (sur certains modèles)

Certains modèles possèdent un plateau sous la zone du distributeur. Le plateau est conçu pour récupérer les légers renversements et peut être enlevé et nettoyé.

**REMARQUE :** Le récipient ne comporte pas de conduit d'écoulement.

## Machine à glaçons et bac d'entreposage

**IMPORTANT :** Purger le système d'approvisionnement en eau avant de mettre en marche la machine à glaçons. Voir la section « Distributeurs d'eau et de glaçons ». Prévoir un délai de 24 heures pour la production du premier lot de glaçons. Jeter les trois premiers lots de glaçons produits. Prévoir un délai de 3 jours pour le remplissage complet du bac à glaçons.

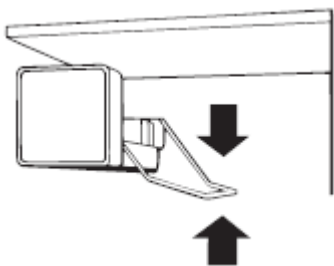
### Style 1

#### Mise en marche/arrêt de la machine à glaçons :

Le commutateur marche/arrêt pour la machine à glaçons est un bras de commande en broche situé sur le côté de la machine à glaçons.

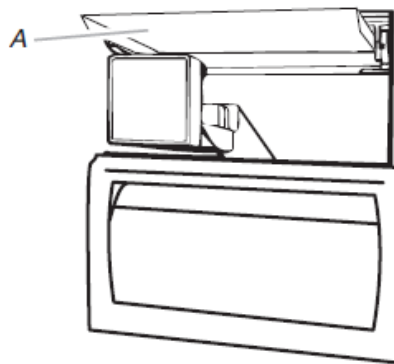
- Pour mettre la machine à glaçons en marche, il suffit d'abaisser le bras de commande d'arrêt métallique.
 

**REMARQUE :** La machine à glaçons comporte un système d'arrêt automatique. Au fur et à mesure de la production, les glaçons remplissent le bac d'entreposage. Les glaçons soulèvent le bras de commande métallique jusqu'à ce qu'il atteigne la position OFF (arrêt/position haute).
- Pour un arrêt manuel, soulever le bras de commande en broche à la position OFF (élevée) et écouter pour le déclic pour s'assurer que la machine à glaçons ne continuera pas de fonctionner.



### Pour retirer et réinstaller le bac à glaçons :

- Soulever le panneau.



A. Couvercle de la machine à glaçons

- Soulever le bras de commande métallique jusqu'à ce qu'il s'enclenche à la position OFF (position haute). Les glaçons peuvent encore être distribués, mais aucun autre glaçon ne peut être produit.
- Soulever l'avant du bac d'entreposage et tirer le bac à glaçons vers l'avant.
- Replacer le bac à glaçons en le poussant complètement sans quoi le distributeur ne fonctionnera pas. Appuyer sur le bras d'arrêt en broche pour l'abaisser à la position ON pour remettre la production de glaçons en marche. S'assurer que la porte est bien fermée.

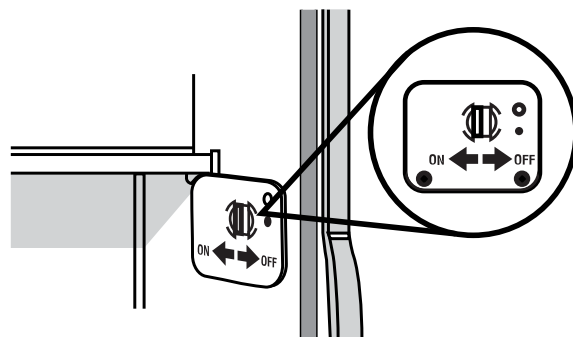
### Style 2

#### Mise en marche/arrêt de la machine à glaçons :

Le commutateur On/Off (marche/arrêt) se trouve dans la partie supérieure droite du compartiment de congélation.

- Pour mettre la machine à glaçons en marche, glisser la commande à la position ON (à gauche).
 

**REMARQUE :** La machine à glaçons comporte un système d'arrêt automatique. Les détecteurs de machines à glaçons arrêteront automatiquement la production de glaçons, mais la commande demeurera à la position ON (à gauche).
- Pour un arrêt manuel, glisser la commande à la position OFF (à droite).



## Pour retirer et réinstaller le bac de conservation des glaçons :

1. Tenir la base du bac d'entreposage à deux mains et appuyer sur le bouton pour dégager et sortir le bac.

**REMARQUE :** Il n'est pas nécessaire de tourner la commande de la machine à glaçons à la position Éteinte (à droite) lorsqu'on enlève le seau d'entreposage. Le couvercle du détecteur (« porte à clapet ») sur la paroi gauche du congélateur interrompt la production de glaçons lorsque la porte est ouverte ou que le bac d'entreposage a été enlevé.

2. Réinstaller le bac d'entreposage sur la porte et appuyer vers le bas pour s'assurer qu'il est bien en place.



## Nettoyage du bac d'entreposage à glaçons

**REMARQUE :** Il est normal que les glaçons soient agglomérés dans le bac à glaçons. Si l'on distribue ou utilise des glaçons plus fréquemment, ils se sépareront. Il est conseillé de vider et de nettoyer le bac à glaçons aussi souvent que nécessaire.

### Nettoyage du bac d'entreposage à glaçons :

1. Vider le bac à glaçons. Utiliser de l'eau tiède pour faire fondre la glace si nécessaire.

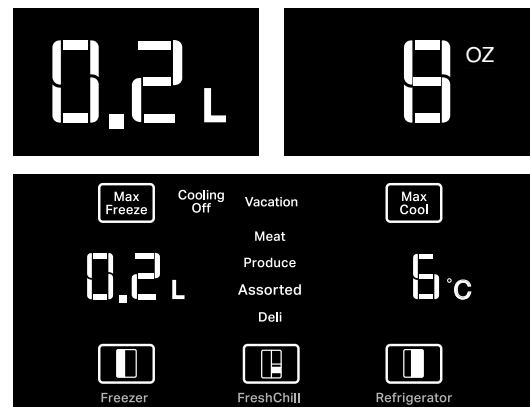
**REMARQUE :** Ne pas utiliser un objet pointu pour briser les glaçons dans le bac ou le seau. Cette action peut endommager le récipient à glaçons et le mécanisme du distributeur.

2. Laver à l'aide d'un détergent doux, bien rincer et sécher à fond. Ne pas utiliser de nettoyants forts ou abrasifs ni de dissolvants.

## Ne pas oublier

- Prévoir un délai de 24 heures pour la production du premier lot de glaçons. Prévoir un délai de 3 jours pour le remplissage complet du récipient à glaçons.
- Jeter les trois premières quantités de glaçons produites pour éviter les impuretés qui peuvent être expulsées du système.
- La qualité des glaçons dépend de la qualité de l'eau fournie à la machine à glaçons.
- Éviter de connecter la machine à glaçons à une alimentation en eau adoucie.
- Les produits chimiques adoucisseurs d'eau (comme le sel) peuvent endommager certaines pièces de la machine à glaçons et entraîner une mauvaise qualité de glaçons. Si l'alimentation en eau adoucie ne peut être évitée, s'assurer que l'adoucisseur d'eau fonctionne bien et qu'il est bien entretenu.
- Il est normal pour les glaçons de coller ensemble aux coins. Ils se sépareront facilement.
- Pour la machine à glaçons de **Style 1**, ne pas forcer le bras de commande à broche métallique vers le haut ou vers le bas.
- Ne pas entreposer quoi que ce soit sur le dessus de la machine à glaçons ou dans le bac à glaçons.

## Réglage en litres ou en onces



Maintenir enfoncé les boutons [Max Freeze] (congélation maximale) et [FreshChill] (rafraîchissement) pour passer entre les litres et les onces.

Lorsqu'un élément est activé, la DEL correspondante s'allume à pleine puissance. La DEL s'éteint après 10 secondes s'il ne s'agit pas du mode associé au mode de quantité d'eau.

La DEL L/oz ne s'allume que s'il y a une interaction en lien avec la quantité d'eau (p. ex., remplissage mesuré, calibration).

## Remplissage mesuré

### Calibration de la fonction Remplissage mesuré

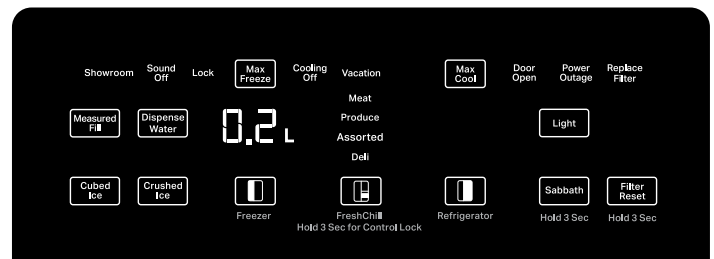
La pression en eau du domicile peut affecter la précision de la fonction Measured Fill (remplissage mesuré). Pour un rendement optimal du distributeur d'eau, il faut d'abord calibrer la fonction Measured Fill (remplissage mesuré).

### Démarrer le mode Calibration

1. Appuyer sur le bouton Measured Fill (remplissage mesuré) pendant 3 secondes pour entrer dans le mode de calibration. Le bouton s'affiche avec les réglages par défaut de 0,2 L ou 8 oz.
2. Appuyer sur la plaque de distribuer d'eau (p. ex. dans une tasse à mesurer) jusqu'à ce que la quantité désirée soit atteinte. Relâcher sur la plaque de distribution d'eau pour arrêter la distribution d'eau.

### Enregistrer et quitter la calibration

1. Si de l'eau a été distribuée, appuyer sur le bouton Measured Fill (remplissage mesuré) sauvegardera la quantité distribuée, une tonalité résonnera et la quantité calibrée clignotera deux fois à l'écran.
2. S'il n'y a pas eu de distribution d'eau, appuyer sur le bouton Measured Fill (remplissage mesuré) permettra de quitter le mode de calibration sans sauvegarder la quantité calibrée.



**REMARQUE :** La quantité d'eau distribuée correspondra à la quantité sélectionnée. Vérifier que le récipient est vide et peut contenir le volume complet. Si de la glace se trouve dans le récipient, il faut peut-être modifier la sélection.

**IMPORTANT :** Une faible pression en eau peut affecter la précision de cette caractéristique.

1. Appuyer sur MEASURED FILL (REPLISSAGE MESURÉ) pour activer la fonction. Une fois la fonction activée, l'écran de Measured Fill (remplissage mesuré) apparaît sur l'affichage.
2. Pour distribuer de l'eau, appuyer un verre robuste contre la plaque du distributeur d'eau OU placer le verre sous le distributeur d'eau et appuyer sur le bouton MEASURED FILL (REPLISSAGE MESURÉ). Tenir le verre près de la canule du distributeur d'eau pour que l'eau coule dans le verre.
3. Il est possible d'appuyer sur le bouton de remplissage mesuré pour passer à la quantité prééglée suivante. Chaque fois qu'on appuie permet de passer à la quantité prééglée suivante jusqu'à ce que la dernière option soit atteinte. Exemple – 8 oz à 16 oz à 24 oz, FIN (0,2 L à 0,5 L à 1,0 L, FIN).

#### REMARQUE :

- Le distributeur désactive automatiquement la fonction de Measured Fill (remplissage mesuré) après 1 minute d'inactivité. Lorsque la fonction Measured Fill (remplissage mesuré) est désactivée, toute modification effectuée est perdue et les réglages par défauts sont réactivés.
- La majorité des tasses à café font de 4 à 6 oz (118 à 177 ml) et ne sont pas de la même taille qu'une tasse à mesurer de 8 oz (237 ml). Il peut être nécessaire de modifier le volume pour éviter un remplissage excessif des tasses à café.
- Au cours de la distribution de l'eau, l'affichage numérique procède à un décompte de la quantité d'eau qu'il reste à distribuer, en fonction du volume sélectionné. Le débit d'eau s'arrête automatiquement une fois que le volume désiré a été distribué.

## Système de filtration de l'eau

Ne pas utiliser ce produit pour filtrer une eau microbiologiquement polluée ou de qualité inconnue en l'absence d'un dispositif de désinfection adéquat en amont ou en aval du système. Les systèmes certifiés pour la réduction des kystes peuvent être utilisés pour une eau désinfectée susceptible de contenir des kystes filtrables.

### Témoin d'état du filtre à eau

Le témoin lumineux du filtre à eau, situé sur le panneau de commande, vous aidera à savoir quand changer le filtre à eau.

État de remplacement :

- Remplacer la cartouche du filtre à eau lorsque l'affichage de l'état du filtre passe à « Replace » (remplacer).

État de remplacement en retard :

- Lorsque le témoin du filtre à eau sur le tableau de commande devient rouge, ceci indique qu'il est temps de changer la cartouche du filtre à eau.
- Il est recommandé de remplacer le filtre lorsque le témoin lumineux de l'état du filtre passe au rouge ou lorsque le débit d'eau au distributeur ou à la machine à glaçons diminue de façon marquée.

**REMARQUE :** Si le débit d'eau au distributeur d'eau ou à la machine à glaçons diminue de façon marquée, remplacer le filtre plus tôt. Le filtre doit être remplacé au moins tous les 6 mois selon la qualité de l'eau et l'utilisation.

Pendant la distribution d'eau une fois que l'icône de remplacement du filtre est activée, cette dernière clignotera pendant la durée de la distribution. Cette situation s'applique pour l'état de remplacement du filtre et l'état de remplacement en retard. Quatorze jours après l'activation du témoin de remplacement du filtre, le témoin passe en mode « remplacement en retard ».

### Filter Reset (réinitialisation du filtre)

Après avoir remplacé le filtre, appuyer sur le bouton Filter Reset (réinitialisation du filtre) pendant 3 secondes. Le bouton ne s'affiche plus après la réinitialisation.

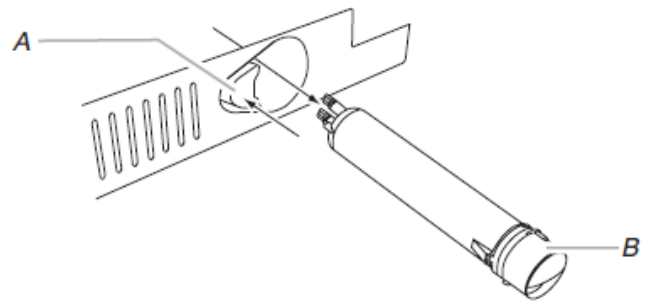
### Remplacement du filtre à eau

Le filtre à eau : est situé dans la grille de la base, sous la porte du compartiment du congélateur. Il n'est pas nécessaire de retirer la grille de la base pour retirer le filtre.

1. Retirer le filtre en poussant sur le bouton d'éjection et en tirant sur le bouchon du filtre en ligne droite.

#### REMARQUE :

- Éviter de tourner le bouchon pendant l'extraction du filtre pour éviter les risques qu'il s'enlève. Si cela se produit, replacer le bouchon et tirer sur le filtre en ligne droite.
- Il y aura de l'eau dans le filtre. Il est possible qu'il y ait un dégât d'eau.

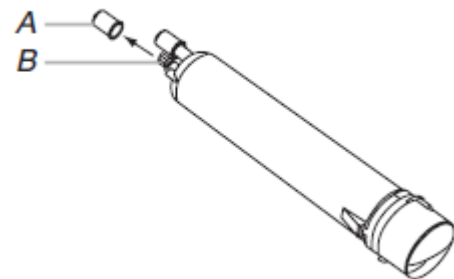


A. Boutons d'éjection  
B. Bouchon du filtre

2. Enlever le bouchon en la dévissant dans le sens antihoraire jusqu'à ce qu'il ne soit plus possible de le tourner.

**IMPORTANT :** Ne pas jeter le couvercle. Il fait partie de votre réfrigérateur. Conserver le couvercle pour l'utiliser avec le filtre de rechange.

3. Aligner l'arête du bouchon avec la flèche du nouveau filtre, puis tourner le bouchon jusqu'à ce qu'il s'enclenche en place.

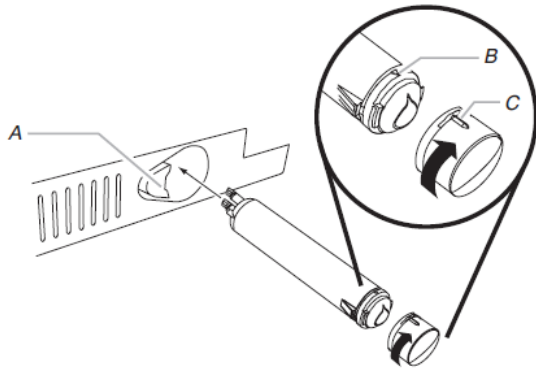


A. Couvercle  
B. Joints toriques

4. Enlever les bouchons des joints toriques. S'assurer que les anneaux d'étanchéité sont toujours en place une fois que les couvercles sont retirés.



- Placer le bouchon (retiré à l'étape 2) sur le nouveau filtre. Aligner l'arête du bouchon avec la flèche du filtre. Tourner le bouchon dans le sens horaire jusqu'à ce qu'il s'emboîte.



A. Boutons d'éjection  
B. Flèche sur le filtre  
C. Arête sur le bouchon

- Enfoncer le nouveau filtre dans l'ouverture de la grille de la base. À mesure de l'insertion du filtre, le bouton d'éjection s'enfonce. Le bouton d'éjection ressortira lorsque le filtre sera complètement engagé.
- Tirer doucement sur le bouchon pour vérifier que le filtre est bien en place.
- Rincer le système de distribution d'eau. Selon le modèle, voir la section « Distributeurs d'eau et de glaçons » ou « Machine à glaçons et bac d'entreposage ».

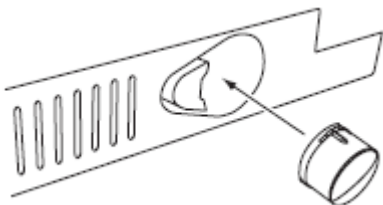
### Utilisation de la machine à glaçons sans un filtre à eau

Il est possible d'utiliser la machine à glaçons sans utiliser un filtre à eau. Vos glaçons ne seront pas filtrés.

- Retirer le filtre en poussant sur le bouton d'éjection et en tirant sur le bouchon. Voir le point « Remplacement du filtre à eau » situé plus haut dans cette section.
- Enlever le bouchon en la dévissant dans le sens antihoraire jusqu'à ce qu'il ne soit plus possible de le tourner.

**IMPORTANT :** Ne pas jeter le couvercle. Il fait partie de votre réfrigérateur.

- Avec le couvercle en position horizontale, insérer le bouchon dans la grille de la base jusqu'à ce qu'il s'arrête.



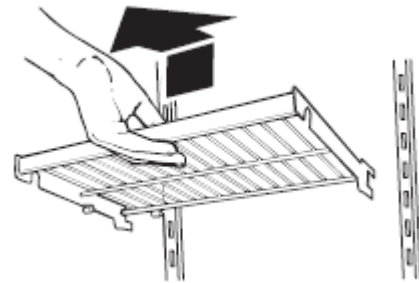
- Tourner le bouchon dans le sens antihoraire jusqu'à ce que le bouchon glisse dans la fente de fixation. Tourner ensuite le bouchon dans le sens horaire jusqu'à ce qu'il soit en position horizontale.

**REMARQUE :** Le bouchon ne sera pas au même niveau que la grille de la base.

## Tablettes du congélateur

### Pour enlever et réinstaller la tablette :

- Retirer l'étagère en la soulevant et en la tirant tout droit pour l'extraire.
- Réinstaller la tablette en l'alignant sur les supports et en l'abaissant pour la mettre en place.



### Guide de stockage des aliments surgelés

Les périodes de conservation varient selon la qualité et le type d'aliment, le type d'emballage et de pellicule utilisés (doivent être hermétiques et résistants à l'humidité) et la température de remisage. Les cristaux de glace à l'intérieur d'un emballage scellé sont normaux. La présence de cristaux signifie simplement que l'humidité dans les aliments et l'air à l'intérieur de l'emballage se sont condensés.

Ne pas placer plus d'aliments non congelés dans le congélateur que la quantité qui congèlera dans l'intervalle de 24 heures (pas plus de 2 à 3 lb d'aliments par pied cube d'espace [907 à 1 350 g pour 28 L] dans le congélateur). Laisser assez d'espace dans le congélateur pour permettre la circulation d'air entre les emballages. S'assurer de laisser assez d'espace pour que la porte ferme hermétiquement.

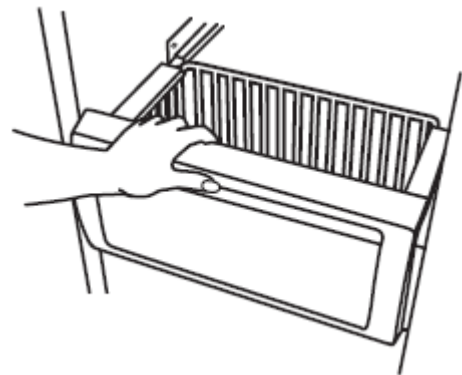
Pour plus de renseignements au sujet de la préparation des aliments pour la congélation, consulter un guide pour congélateur ou un livre de recettes fiable.

### Panier du congélateur

Le panier du congélateur peut être utilisé pour garder des sacs de fruits et de légumes congelés qui peuvent glisser hors des tablettes de congélateur.

### Pour enlever et replacer le panier du congélateur :

- Tirer le panier en ligne droite jusqu'à la butée.
- Soulever l'avant du panier et le faire glisser complètement vers l'extérieur pour le dégager.



- Replacer le panier en le plaçant sur les glissières de la paroi latérale. Soulever légèrement le devant du panier en le poussant au-delà des butées de la glissière et glisser le panier jusqu'au fond.

# FICHE DE DONNÉES DE PERFORMANCE

## Système de filtration de l'eau

Capacité du modèle EDR3RXD1B/P1WB2 de 200 Gallons(757 L) avec indicateur PID; 100 Gallons (378 L) sans indicateur PID.

Filtres de remplacement EDR3RXD1, EDR3RXD1B, WHR3RXD1 et KAD3RXD1



Système testé et homologué par NSF International en vertu des normes NSF/ANSI 42, 53 et 401, ainsi que CSA B483.1 pour la réduction de contaminants spécifiés sur la fiche de données de performance.

Ce système a été testé selon les normes NSF/ANSI 42, 53, 401 et CSA B483.1 pour la réduction des substances énumérées ci-dessous. La concentration des substances indiquées dans l'eau entrant dans le système a été réduite à une concentration inférieure ou égale à la limite permise pour l'eau qui quitte le système, comme spécifié par les normes ANSI/NSF 42, 53 et 401, ainsi que CSA B483.1.

Réduction concentration produits de désinfection	Concentration dans l'eau à traiter	Limite permise de concentration du produit dans l'eau	Réduction de concentration % moy.
Chlore goût/odeur	2,0 mg/L ± 10 %	Réduction de 50 %	> 97,5 %
Particules (classe I*)	Au moins 10 000 particules/mL	Réduction de 85 %	99,2 %
Réduction des contaminants	Concentration dans l'eau à traiter	Limite permise de concentration du produit dans l'eau	Réduction de concentration % moy.
Plomb : à pH 6,5/à pH 8,5	0,150 mg/L ± 10 %	0,010 mg/L	99,3 %/> 99,3 %
Mercure : à pH 6,5/à pH 8,5	0,006 mg/L ± 10 %	0,002 mg/L	96,4 %/90,8 %
Amiante	10 <sup>7</sup> à 10 <sup>8</sup> fibres/L††	99 %	99 %
Kystes†	50 000/L min.	99,95 %	> 99,99 %
Turbidité	11 NTU ± 10 %	0,5 NTU	> 99,1 %
Alachlore	0,040 mg/L ± 10 %	0,002 mg/L	97,6 %
Atrazine	0,009 mg/L ± 10 %	0,003 mg/L	94,50 %
Benzène	0,015 mg/L ± 10 %	0,005 mg/L	96,6 %
Carbofurane	0,080 mg/L ± 10 %	0,040 mg/L	91,1 %
Chlorobenzène	2,000 mg/L ± 10 %	0,100 mg/L	99 %
Endrin	0,006 mg/L ± 10 %	0,002 mg/L	96,6 %
Éthylbenzène	2,100 mg/L ± 10 %	0,700 mg/L	99,9 %
Lindane	0,002 mg/L ± 10 %	0,000 2 mg/L	99 %
MTBE	0,015 mg/L ± 10 %	0,005 mg/L	90,6 %
O-dichlorobenzène	1,800 mg/L ± 10 %	0,600 mg/L	99,9 %
Tétrachloroéthène	0,015 mg/L ± 10 %	0,005 mg/L	96,4 %
Toxaphène	0,015 mg/L ± 10 %	0,003 mg/L	> 93,7 %
TTHM	0,045 mg/L ± 10 %	0,080 mg/L	99,5 %
Styrène	2,000 mg/L ± 10 %	0,100 mg/L	99,9 %
COV	0,300 mg/L ± 10 %	0,015 mg/L	99,7 %
Aténolol	200 ± 20 %	30 ng/L	95,7 %



Triméthoprim	140 ng/L ± 20 %	20 ng/L	96,1 %
Linuron	140 ng/L ± 20 %	20 ng/L	96,3 %
Estrone	140 ng/L ± 20 %	20 ng/L	90,6 %
Nonylphénol	1400 ng/L ± 20 %	200 ng/L	93,7 %
Méprobamate	400 ng/L ± 20 %	60 ng/L	94,9 %
Carbamazépine	1400 ng/L ± 20 %	200 ng/L	98,6 %
Diéthyltoluamide	1400 ng/L ± 20 %	200 ng/L	98,6 %
Métolachlore	1400 ng/L ± 20 %	200 ng/L	98,6 %
TCEP	5000 ng/L ± 20 %	700 ng/L	98,1 %
TCP	5000 ng/L ± 20 %	700 ng/L	98,2 %
Phénytoïne	200 ng/L ± 20 %	30 ng/L	94,5 %
Ibuprofène	400 ng/L ± 20 %	60 ng/L	95,6 %
Naproxène	140 ng/L ± 20 %	20 ng/L	96,9 %
Bisphénol A	2000 ng/L ± 20 %	300 ng/L	99,1 %

Paramètres de tests : pH = 7,5 ± 0,5 à moins d'indications contraires. Débit = 0,5 gpm (1,89 Lpm). Pression = 60 lb/po<sup>2</sup> (413,7 kPa). Température = 68 °F à 71,6 °F (20 °C à 22 °C). Capacité de service nominale = 200 gallons (757 litres).

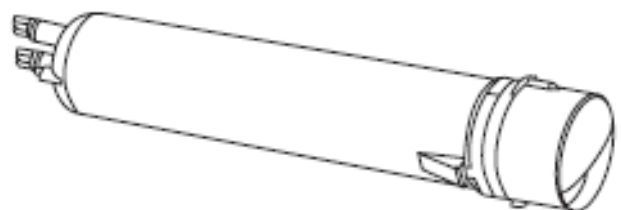
Les composés certifiés en vertu de la norme NSF 401 sont considérés comme appartenant à la catégorie des « composés émergents/contaminants secondaires ». Les composés émergents/contaminants secondaires sont des composés qui ont été détectés à de faibles concentrations dans des sources d'approvisionnement en eau potable. Même s'ils n'apparaissent qu'à de faibles concentrations, ces composés peuvent influencer la perception et le niveau d'acceptation de la qualité de l'eau de consommation par le public.

- Pour obtenir les instructions d'installation, d'utilisation et d'entretien, consulter le manuel d'utilisation.
- Il est important que les critères de fonctionnement, d'entretien et de remplacement du filtre soient respectés pour que le produit donne le rendement annoncé. Des dommages à la propriété peuvent se produire lorsque les instructions ne sont pas toutes respectées.
- La cartouche jetable doit être changée au moins tous les 6 mois.
- Utiliser le filtre de remplacement, numéro de pièce EDR3RXD1/EDR3RXD1B.
- Le système de contrôle du filtre mesure la quantité d'eau qui passe par le filtre et indique quand remplacer le filtre. Pour savoir comment vérifier l'état du filtre, consulter « Utiliser les commandes » ou « Système de filtration d'eau » dans les Instructions d'Utilisation ou le Guide d'Utilisation.
- Après avoir remplacé le filtre à eau, purger le système d'eau. Voir les sections « Distributeur d'eau et de glaçons » ou « Distributeur d'eau » dans les instructions d'utilisation ou le guide d'utilisation.
- Ces contaminants ne sont pas nécessairement présents dans l'approvisionnement d'eau. Même si le test a été effectué dans des conditions de laboratoires standard, le rendement réel peut varier.
- Pour obtenir les instructions d'installation, d'utilisation et d'entretien, consulter le manuel d'utilisation.
- Le produit doit être utilisé pour l'eau froide seulement.
- Le circuit d'eau doit être installé conformément aux lois et règlements locaux et à ceux de la province concernée.
- Ne pas utiliser ce produit pour filtrer une eau microbiologiquement polluée ou de qualité inconnue en l'absence d'un dispositif de désinfection adéquat en amont ou en aval du système. Les systèmes certifiés pour la réduction des kystes peuvent être utilisés pour une eau désinfectée susceptible de contenir des kystes filtrables. Étab. EPA no 082047-TWN-001.
- Consulter la section « Garantie » (dans les instructions d'utilisation ou le guide d'utilisation) pour connaître la garantie limitée, le nom et le numéro de téléphone du fabricant.

#### Directives d'application/paramètres d'approvisionnement en eau

Source d'eau	Puits ou collectivité
Pression d'eau	30 lb/po <sup>2</sup> à 120 lb/po <sup>2</sup> (207 kPa à 827 kPa)
Température de l'eau	33 °F à 100 °F (0,6 °C à 37,8 °C)
Débit nominal	1,89 L/min (0,5 gpm) à 60 lb/po <sup>2</sup> (413,7 kPa).

- Le système de filtration d'eau peut prendre en charge une pression d'eau pouvant atteindre 120 livres par pouce carré (lb/po<sup>2</sup>). Si l'alimentation en eau est supérieure à 80 lb/po<sup>2</sup>, installer un détendeur avant d'installer le système de filtration d'eau.



Assistance client 1-800-442-9991  
par Whirlpool Corporation 2000  
North M63  
Benton Harbor, MI 49022  
Fabriqué à Taiwan.

\*Classe I – taille des particules : >0,5 à 1 um

†Sur la base de la filtration de kystes de *Cryptosporidium parvum*

‡Filtres de longueur supérieure à 10 um

©NSF est une marque déposée de NSF International.

## NOTES

## NOTES

## NOTES

## NOTES

## NOTES



## NOTES

