

THANK YOU for purchasing this high-quality product. Register your range at www.kitchenaid.com. In Canada, register your range at www.kitchenaid.ca.

For future reference, please make a note of your product model and serial numbers. These can be found on the label located on the oven frame behind the top-right side of the oven door.

Model Number _____ Serial Number _____

Table of Contents

RANGE SAFETY	2
The Anti-Tip Bracket	3
KEY USAGE TIPS	4
AquaLift® Self-Cleaning Technology	4
Surface Temperatures	4
Preheating	4
Surface Burners	4
FEATURE GUIDE	5
Electronic Oven Controls	8
COOKTOP	10
Surface Burners	10
Surface Grates	11
Burner Size	11
Griddle	12
Cookware	12
Home Canning	13
OVEN	13
Aluminum Foil	13
Positioning Racks and Bakeware	13
Roll-Out Rack	14
Oven Vent	14
Sabbath Mode	15
Baking and Roasting	15
Broiling	15
Convection Cooking	16
Proofing Bread	16
Cook Time	16
Baking Drawer	17
Oven Light	17
RANGE CARE	18
Clean Cycle	18
General Cleaning	19
Remove/Replace Drawer	20
TROUBLESHOOTING	21
ACCESSORIES	23

RANGE SAFETY

Your safety and the safety of others are very important.

We have provided many important safety messages in this manual and on your appliance. Always read and obey all safety messages.



This is the safety alert symbol.

This symbol alerts you to potential hazards that can kill or hurt you and others.

All safety messages will follow the safety alert symbol and either the word "DANGER" or "WARNING." These words mean:

⚠ DANGER

You can be killed or seriously injured if you don't immediately follow instructions.

⚠ WARNING

You can be killed or seriously injured if you don't follow instructions.

All safety messages will tell you what the potential hazard is, tell you how to reduce the chance of injury, and tell you what can happen if the instructions are not followed.

WARNING: If the information in these instructions is not followed exactly, a fire or explosion may result causing property damage, personal injury or death.

- Do not store or use gasoline or other flammable vapors and liquids in the vicinity of this or any other appliance.
- **WHAT TO DO IF YOU SMELL GAS:**
 - Do not try to light any appliance.
 - Do not touch any electrical switch.
 - Do not use any phone in your building.
 - Immediately call your gas supplier from a neighbor's phone. Follow the gas supplier's instructions.
 - If you cannot reach your gas supplier, call the fire department.
- Installation and service must be performed by a qualified installer, service agency or the gas supplier.

WARNING: Gas leaks cannot always be detected by smell.

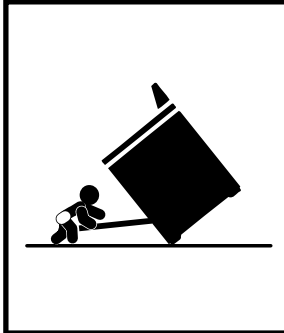
Gas suppliers recommend that you use a gas detector approved by UL or CSA.

For more information, contact your gas supplier.

If a gas leak is detected, follow the "What to do if you smell gas" instructions.

The Anti-Tip Bracket

The range will not tip during normal use. However, the range can tip if you apply too much force or weight to the open door without having the anti-tip bracket fastened down properly.



⚠ WARNING

Tip Over Hazard

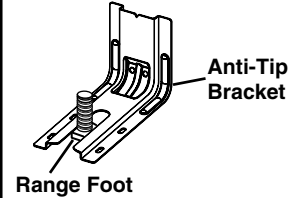
A child or adult can tip the range and be killed.

Verify the anti-tip bracket has been properly installed and engaged per installation instructions.

Re-engage anti-tip bracket if range is moved.

Do not operate range without anti-tip bracket installed and engaged.

Failure to follow these instructions can result in death or serious burns to children and adults.



To verify the anti-tip bracket is installed and engaged:

- Slide range forward.
- Look for the anti-tip bracket securely attached to floor or wall.
- Slide range back so rear range foot is under anti-tip bracket.
- See installation instructions for details.

IMPORTANT SAFETY INSTRUCTIONS

WARNING: To reduce the risk of fire, electrical shock, injury to persons, or damage when using the range, follow basic precautions, including the following:

- **WARNING:** TO REDUCE THE RISK OF TIPPING OF THE RANGE, THE RANGE MUST BE SECURED BY PROPERLY INSTALLED ANTI-TIP DEVICES. TO CHECK IF THE DEVICES ARE INSTALLED PROPERLY, SLIDE RANGE FORWARD, LOOK FOR ANTI-TIP BRACKET SECURELY ATTACHED TO FLOOR OR WALL, AND SLIDE RANGE BACK SO REAR RANGE FOOT IS UNDER ANTI-TIP BRACKET.
- **WARNING:** NEVER use this appliance as a space heater to heat or warm the room. Doing so may result in carbon monoxide poisoning and overheating of the oven.
- **WARNING:** NEVER cover any slots, holes or passages in the oven bottom or cover an entire rack with materials such as aluminum foil. Doing so blocks air flow through the oven and may cause carbon monoxide poisoning. Aluminum foil linings may also trap heat, causing a fire hazard.
- **CAUTION:** Do not store items of interest to children in cabinets above a range or on the backguard of a range – children climbing on the range to reach items could be seriously injured.

- Proper Installation – The range, when installed, must be electrically grounded in accordance with local codes or, in the absence of local codes, with the *National Electrical Code, ANSI/NFPA 70*. In Canada, the range must be electrically grounded in accordance with Canadian Electrical Code. Be sure the range is properly installed and grounded by a qualified technician.
- This range is equipped with a three-prong grounding plug for your protection against shock hazard and should be plugged directly into a properly grounded receptacle. Do not cut or remove the grounding prong from this plug.
- Disconnect power before servicing.
- Injuries may result from the misuse of appliance doors or drawers such as stepping, leaning, or sitting on the doors or drawers.
- Maintenance – Keep range area clear and free from combustible materials, gasoline, and other flammable vapors and liquids.
- Storage in or on the Range – Flammable materials should not be stored in an oven or near surface units.
- Top burner flame size should be adjusted so it does not extend beyond the edge of the cooking utensil.

For self-cleaning ranges –

- Before Self-Cleaning the Oven – Remove broiler pan and other utensils. Wipe off all excessive spillage before initiating the cleaning cycle.

SAVE THESE INSTRUCTIONS

KEY USAGE TIPS

AquaLift® Self-Cleaning Technology



AquaLift® Self-Cleaning Technology is a first-of-its-kind cleaning solution designed to minimize the time, temperature, and odors that ordinarily come with traditional self-cleaning methods. With AquaLift® Self-Cleaning Technology, an exclusive coating on the interior of the oven, is activated with heat and water to release baked-on soil. To use AquaLift® Self-Cleaning Technology, simply wipe out loose debris, pour water into the oven bottom, and run the AquaLift® Self-Cleaning cycle. When the cycle finishes in under 1 hour at a lower temperature than in traditional self-cleaning methods, just wipe out the remaining water and loose debris. See the “Clean Cycle” section for more detailed instructions. For additional information, frequently asked questions, and videos on using AquaLift® Self-Cleaning Technology, visit our website at <http://whirlpoolcorp.com/aqualift>.

Surface Temperatures

When the range is in use, all range surfaces may become hot, such as the knobs and oven door.

Baking Drawer

When the oven is in use, the drawer may become hot. Do not store plastics, cloth, or other items that could melt or burn in the drawer.

Oven Vent

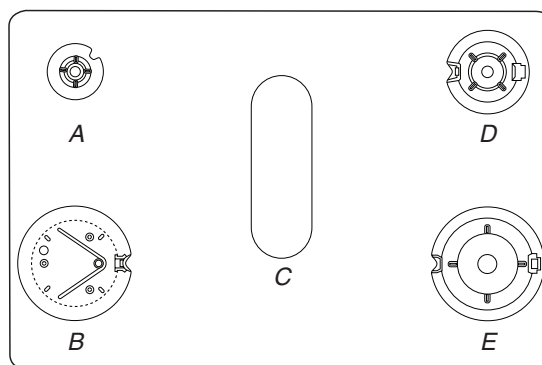
The oven vent releases hot air and moisture from the oven and should not be blocked or covered. Do not set plastics, paper, or other items that could melt or burn near the oven vent.

Preheating

When beginning a Bake or Convection Bake, the oven will begin preheating after Start is pressed. The oven will take approximately 12 to 15 minutes to reach 350°F (177°C) with all of the oven racks provided with your oven inside the oven cavity. Higher temperatures will take longer to preheat. The preheat cycle rapidly increases the oven temperature. The actual oven temperature will go above your set temperature to offset the heat lost when your oven door is opened to insert food. This ensures that when you place your food in the oven, the oven will begin at the proper temperature. Insert your food when the preheat tone sounds. Do not open the door during preheat before the tone sounds.

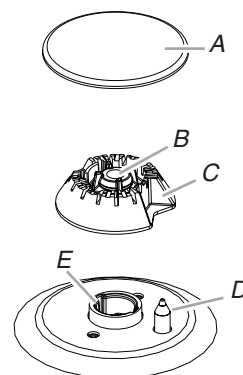
Surface Burners

The burner bases and caps must be properly positioned before cooking. Your range comes with 3 sizes of burners and caps. Each round burner base is marked with a letter indicating the burner size. Align the burner bases as shown in the following illustration:



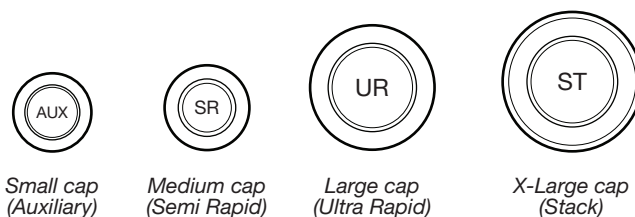
- A. Small (Auxiliary)
- B. X-Large (Stack)
- C. Oval (OV)
- D. Medium (Semi Rapid)
- E. Large (Ultra Rapid)

Align the gas tube opening in the burner base with the orifice holder on the cooktop and the igniter electrode with the notch in the burner base.



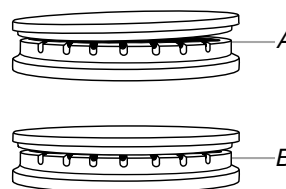
- A. Burner cap
- B. Gas tube opening
- C. Burner base
- D. Igniter electrode
- E. Orifice holder

Place the burner caps on the appropriate burner bases. Each round burner cap is marked with a letter indicating the burner size. Place the burner caps on the appropriate burner bases.



- Small cap (Auxiliary)
- Medium cap (Semi Rapid)
- Large cap (Ultra Rapid)
- X-Large cap (Stack)

Burner caps should be level when properly positioned. If burner caps are not properly positioned, surface burners will not light. The burner cap should not rock or wobble when properly aligned.



- A. Incorrect
- B. Correct

FEATURE GUIDE

This manual covers several models. Your model may have some or all of the items listed. Refer to this manual or the Product Help section of our website at www.kitchenaid.com for more detailed instructions. In Canada, refer to the Product Help Section at www.kitchenaid.ca.

⚠ WARNING

Food Poisoning Hazard

Do not let food sit for more than one hour before or after cooking.

Doing so can result in food poisoning or sickness.



Keypad	Feature	Instructions
CLOCK/TOOLS	Clock	The Clock can use a 12- or 24-hour cycle. See the “Electronic Oven Controls” section. <ol style="list-style-type: none"> 1. Press CLOCK/TOOLS until “CLOCK” is displayed. 2. Use the number keypads to set the time of day. 3. Press START to change the time. 4. Press “3” for AM or “6” for PM.
CLOCK/TOOLS	Settings	Enables you to personalize the audible tones and oven operation to suit your needs. See the “Electronic Oven Controls” section.
OVEN LIGHT	Oven cavity light	The oven light is controlled by a keypad on the oven control panel. While the oven door is closed, press OVEN LIGHT to turn the light On and Off. When the oven door is opened, the oven light will automatically come On.
TIMER SET/OFF	Oven timer	The Timer can be set in hours or minutes up to 9 hours and 59 minutes. <ol style="list-style-type: none"> 1. Press TIMER SET/OFF. 2. Press the number keypads to set the length of time in hr-min-min. Leading zeros do not have to be entered. For example, for 2 minutes, enter “2.” 3. Press TIMER SET/OFF to begin the countdown. If enabled, end-of-cycle tones will sound at end of countdown. 4. Press TIMER SET/OFF again to cancel the Timer and return to the time of day. Do not press the Cancel keypad because the oven will turn off. 5. If the Timer is running but not in the display, press TIMER SET/OFF to display the countdown for 5 seconds.
START	Cooking start	The Start keypad begins any oven function. If Start is not pressed within 2 minutes after pressing a keypad, the function is canceled and the time of day is displayed.
CANCEL UPPER CANCEL LOWER (on some models)	Range function	The Cancel keypad stops any function for the appropriate oven or drawer, except the Clock and Timer.
BAKE	Baking and roasting	<ol style="list-style-type: none"> 1. Press BAKE. 2. Press the number keypads to set the desired temperature. If the temperature entered is not in the range of the temperatures allowed, the minimum or maximum allowed temperature will be displayed. Enter a temperature in the allowable range. 3. Press START. 4. To change the temperature, repeat steps 2 and 3. 5. Press CANCEL UPPER when finished.

Keypad	Feature	Instructions
STEAM BAKE	Steam bake	<ol style="list-style-type: none"> 1. Insert the steam rack with water reservoir in the oven. 2. Pour 1½ cups (350 mL) of warm water into the water reservoir. NOTE: Do not fill past the MAX mark. 3. Press STEAM BAKE. 4. Press the number keypad to select the desired food option. 5. Press the number keypads to set the desired temperature. If the temperature entered is not in the range of the temperatures allowed, the minimum or maximum allowed temperature will be displayed. Enter a temperature in the allowable range. 6. Press START. 7. Insert food when preheating finishes. 8. (Optional) Press COOK TIME. Press the number keypads to set the cook time. 9. Press START. 10. Press CANCEL UPPER when finished. NOTE: Let oven cool before removing and emptying water reservoir.
BROIL	Broiling	<ol style="list-style-type: none"> 1. Press BROIL. 2. Press the number keypads to set the desired temperature. If the temperature entered is not in the range of the temperatures allowed, the minimum or maximum allowed temperature will be displayed. Enter a temperature in the allowable range. 3. Press START and allow the oven to preheat for 2 minutes. 4. To change the temperature, repeat steps 2 and 3. 5. Position the cookware in the oven, and then close the door. 6. Press CANCEL UPPER when finished.
PROOF	Proofing bread	<ol style="list-style-type: none"> 1. Place prepared dough in oven. Press PROOF. 2. Press START. Let the dough rise until nearly doubled in size. Proofing time may vary depending on dough type and quantity. 3. Press CANCEL UPPER when finished proofing. Refer to the “Proofing Bread” section for more information.
KEEP WARM	Hold warm	<p>Food must be at serving temperature before placing it in the warmed oven.</p> <ol style="list-style-type: none"> 1. Press KEEP WARM. 2. Press the number keypads to set the desired temperature. If the temperature entered is not in the range of the temperatures allowed, the minimum or maximum allowed temperature will be displayed. Enter a temperature in the allowable range. 3. Press START. 4. Press CANCEL UPPER when finished.
EASY CONVECT BAKE	Convection cooking	<ol style="list-style-type: none"> 1. Press EASY CONVECT BAKE. 2. Press “1” to have the oven automatically convert the temperature and time for convection baking. Press “2” to manually convert the temperature and time. 3. Press the number keypads to set the desired temperature. If the temperature entered is not in the range of the temperatures allowed, the minimum or maximum allowed temperature will be displayed. Enter a temperature in the allowable range. 4. Press START. 5. To change the temperature, repeat steps 3 and 4. 6. Press CANCEL UPPER when finished.
EASY CONVECT BROIL	Convection cooking	<ol style="list-style-type: none"> 1. Press EASY CONVECT BROIL. 2. Press “1” to have the oven automatically convert the temperature and time for convection baking. Press “2” to manually convert the temperature and time. 3. Press the number keypads to set the desired temperature. If the temperature entered is not in the range of the temperatures allowed, the minimum or maximum allowed temperature will be displayed. Enter a temperature in the allowable range. 4. Press START. 5. To change the temperature, repeat steps 3 and 4. 6. Press CANCEL UPPER when finished.

Keypad	Feature	Instructions
EASY CONVECT ROAST	Convection cooking	<ol style="list-style-type: none"> 1. Press EASY CONVECT ROAST. 2. Press “1” to have the oven automatically convert the temperature and time for convection baking. Press “2” to manually convert the temperature and time. 3. Press the number keypads to set the desired temperature. If the temperature entered is not in the range of the temperatures allowed, the minimum or maximum allowed temperature will be displayed. Enter a temperature in the allowable range. 4. Press START. 5. To change the temperature, repeat steps 3 and 4. 6. Press CANCEL UPPER when finished.
COOK TIME	Timed cooking	<p>Timed cooking allows the oven to be set to turn on at a certain time of day, cook for a set length of time, and/or shut off automatically.</p> <p>To set a Timed Cook or a Delayed Timed Cook, see the “Cook Time” section.</p>
DELAY START	Delayed start	<p>The Delay Start keypad is used to enter the starting time for an oven function with a delayed start. Delay Start should not be used for foods such as breads and cakes because they may not bake properly.</p> <p>To set a Timed Cook or a Delayed Timed Cook, see the “Cook Time” section.</p>
BAKING DRAWER BAKE (on some models)	Baking drawer	<ol style="list-style-type: none"> 1. Press BAKING DRAWER BAKE. 2. Press the number keypads to set the desired temperature. If the temperature entered is not in the range of the temperatures allowed, the minimum or maximum allowed temperature will be displayed. Enter a temperature in the allowable range. 3. Press START. 4. To change the temperature, repeat steps 2 and 3. 5. Press CANCEL LOWER when finished.
BAKING DRAWER SLOW COOK (on some models)	Slow cook drawer	<ol style="list-style-type: none"> 1. Press BAKING DRAWER SLOW COOK. 2. Press the number keypads to set the desired temperature. If the temperature entered is not in the range of the temperatures allowed, the minimum or maximum allowed temperature will be displayed. Enter a temperature in the allowable range. 3. Place the food(s) in the baking drawer. 4. Press START. 5. (Optional) Set the desired cook time using the number keypads. 6. Press START to begin heating the baking drawer. 7. Press CANCEL LOWER when finished.
BAKING DRAWER KEEP WARM (on some models)	Warming drawer	<p>Food must be at serving temperature before placing it in the warmed oven.</p> <ol style="list-style-type: none"> 1. Press BAKING DRAWER KEEP WARM. 2. Press the number keypads to set the desired temperature. If the temperature entered is not in the range of the temperatures allowed, the minimum or maximum allowed temperature will be displayed. Enter a temperature in the allowable range. 3. Press START. 4. Press CANCEL LOWER when finished.
AQUALIFT SELF CLEAN	Clean cycle	See the “Clean Cycle” section.
START (Hold 3 Sec)	Oven control lockout	<ol style="list-style-type: none"> 1. Check that the oven is OFF. 2. Press and hold START (Hold 3 Sec) for 3 seconds. 3. A tone will sound, and “Control Locked” will scroll, and then “Locked” will be displayed. 4. Repeat to unlock. No keypads will function with the controls locked. The cooktop functions are not affected by the oven control lockout.
CLOCK/TOOLS	Energy save	<ol style="list-style-type: none"> 1. Press CLOCK/ TOOLS until “ENERGY SAVE” is displayed. 2. The current setting will be displayed. 3. Press the “1” keypad to adjust the setting. 4. Press CANCEL to exit and display the time of day. <p>If Energy Save is ON, the range will go into Sleep mode after 5 minutes of inactivity. Any keypad press will activate the display. If Energy Save is OFF, the display will be ON at all times.</p>

Electronic Oven Controls

Control Display

The display will flash when powered up or after a power loss. Press CANCEL UPPER to clear. When the oven is not in use, the time of day is displayed. If the range is in Energy Save mode, the display will be blank when not in use.

Tones

Tones are audible signals, indicating the following:

One Tone

- Valid keypad press
- Oven is preheated (long tone).
- Function has been entered.
- Reminder, repeating each minute after the end-of-cycle tones

Three Tones

- Invalid keypad press

Four Tones

- End-of-cycle

Use the Clock/Tools keypad to change the tone settings.

Energy Save

The Energy Save mode puts the range into Sleep mode and reduces energy consumption.

To Activate the Energy Save Mode:

1. Press CLOCK/TOOLS until "ENERGY SAVE" is displayed.
2. The current setting will be displayed.
3. Press the "1" keypad to adjust the setting.
4. Press CANCEL to exit and display the time of day.
5. The setting will be activated after 5 minutes.

To Deactivate the Energy Save Mode:

1. Press CLOCK/TOOLS until "ENERGY SAVE" is displayed.
2. The current setting will be displayed.
3. Press the "1" keypad to adjust the setting.
4. Press CANCEL to exit and display the time of day.
5. The clock will reappear in the display and the range can be operated as usual.

Settings

Many features of the oven control can be adjusted to meet your personal needs. These changes are made using the Clock/Tools keypad.

Use the Clock/Tools keypad to scroll through the features that can be changed. Each press of the Clock/Tools keypad will advance the display to the next setting. After selecting the feature to be changed, the control will prompt you for the required input. Then press START or CANCEL UPPER to exit and display the time of day. Details of all of the feature changes are explained in the following sections.

Press CANCEL UPPER to exit Settings.

Clock

The Clock can use a 12- or 24-hour cycle.

1. Press CLOCK/TOOLS until "CLOCK" is displayed.
2. Use the number keypads to set the time of day.
3. Press START to change the time.
4. Press "3" for AM or "6" for PM.

Fahrenheit and Celsius

The temperature is preset to Fahrenheit but can be changed to Celsius.

1. Press CLOCK/TOOLS until "TEMP UNIT" is displayed.
2. The current setting will be displayed.
3. Press the "1" keypad to adjust the setting.
4. Press START or CANCEL UPPER to exit and display the time of day.

Audible Tones Disable

Turns off all tones, including the end-of-cycle tone and keypress tones. Reminder tones are still active when all tones are disabled.

1. Press CLOCK/TOOLS until "SOUND" is displayed.
2. The current setting will be displayed.
3. Press the "1" keypad to adjust the setting.
4. Press START or CANCEL UPPER to exit and display the time of day.

Sound Volume

Sets the volume of the tone to either high or low.

1. Press CLOCK/TOOLS until "SOUND VOLUME" is displayed.
2. The current setting will be displayed.
3. Press the "1" keypad to adjust the setting.
4. Press START or CANCEL UPPER to exit and display the time of day.

End-of-Cycle Tone

Activates or turns off the tones that sound at the end of a cycle.

1. Press CLOCK/TOOLS until "END TONE" is displayed.
2. The current setting will be displayed.
3. Press the "1" keypad to adjust the setting.
4. Press START or CANCEL UPPER to exit and display the time of day.

Keypress Tones

Activates or turns off the tones when a keypad is pressed.

1. Press CLOCK/TOOLS until "KEYPRESS TONE" is displayed.
2. The current setting will be displayed.
3. Press the "1" keypad to adjust the setting.
4. Press START or CANCEL UPPER to exit and display the time of day.

Reminder Tones Disable

Turns off the short repeating tone that sounds every 1 minute after the end-of-cycle tones.

1. Press CLOCK/TOOLS until "REMINDER TONE" is displayed.
2. The current setting will be displayed.
3. Press the "1" keypad to adjust the setting.
4. Press START or CANCEL UPPER to exit and display the time of day.

12/24 Hour Clock

1. Press CLOCK/TOOLS until "12/24 HOUR" is displayed.
2. The current setting will be displayed.
3. Press the "1" keypad to adjust the setting.
4. Press START or CANCEL UPPER to exit and display the time of day.

Demo Mode

IMPORTANT: This feature is intended for use on the sales floor with 120 V power connection and permits the control features to be demonstrated without the oven turning on. If this feature is activated, the oven will not work.

1. Press CLOCK/TOOLS until “DEMO MODE” is displayed.
2. The current setting will be displayed.
3. Press the “1” keypad to adjust the setting.
4. Press START or CANCEL UPPER to exit and display the time of day.

Sabbath Mode

The Sabbath mode sets the oven to remain ON in a bake setting until turned off.

When the Sabbath mode is set, only the Bake cycle will operate. All other cooking and cleaning cycles are disabled. No tones will sound and the displays will not indicate temperature changes.

When the oven door is opened or closed, the oven light will not turn on or off and the heating elements will not turn on or off immediately.

To Enable Sabbath Mode Capability (One Time Only):

1. Press CLOCK/TOOLS until “SABBATH” is displayed.
2. The current setting will be displayed.
3. Press the “1” keypad to adjust the setting.
4. Press START or CANCEL UPPER to exit and display the time of day.

12-Hour Shutoff

The oven control is set to automatically shut off the oven 12 hours after the oven initiates a cook or clean function. This will not interfere with any timed or delay cook functions.

1. Press CLOCK/TOOLS until “12Hr AUTO_OFF” is displayed.
2. The current setting will be displayed.
3. Press the “1” keypad to adjust the setting.
4. Press START or CANCEL UPPER to exit and display the time of day.

Languages - Scrolling Display Text

Language options are English, Spanish, and French.

1. Press CLOCK/TOOLS until “LANGUAGE” is displayed.
2. The current setting will be displayed.
3. Press the “1” or “2” keypad to select the desired language.
4. Press START or CANCEL UPPER to exit and display the time of day.

Oven Temperature Offset Control

IMPORTANT: Do not use a thermometer to measure oven temperature. Elements will cycle on and off as needed to provide consistent temperature but may run slightly hot or cool at any point in time due to this cycling. Most thermometers are slow to react to temperature change and will not provide an accurate reading due to this cycling.

The oven provides accurate temperatures; however, it may cook faster or slower than your previous oven, so the temperature can be adjusted to personalize it for your cooking needs. It can be changed to Fahrenheit or Celsius.

To Adjust Oven Temperature:

1. Press CLOCK/TOOLS until “TEMP CALIB” is displayed.
2. On some models, press “1” to adjust the drawer temperature calibration. Press START, wait 10 seconds for the display to change, and then continue with Step 3.

OR

Press START to adjust the oven temperature calibration. Wait 10 seconds for the display to change, and then continue with Step 3.

3. Press the “3” keypad to increase the temperature in 5°F (3°C) increments or press the “6” keypad to decrease the temperature in 5°F (3°C) increments. The offset range is from -30°F to +30°F (-18°C to +18°C).
4. Press START or CANCEL UPPER to exit and display the time of day.

COOKTOP

⚠ WARNING



Fire Hazard

Do not let the burner flame extend beyond the edge of the pan.

Turn off all controls when not cooking.

Failure to follow these instructions can result in death or fire.

Electric igniters automatically light the surface burners when control knobs are turned to 🔥.

Before setting a control knob, place filled cookware on the grate. Do not operate a burner using empty cookware or without cookware on the grate.

To Set:

1. Push in and turn knob counterclockwise to 🔥.
All surface burners will click. Only the burner with the control knob turned to 🔥 will produce a flame.
2. Turn knob to anywhere between H (high) and L (low).

REMEMBER: When range is in use, the entire cooktop area may become hot.

Power Failure

In case of prolonged power failure, the surface burners can be lit manually. Hold a lit match near a burner, and then turn knob counterclockwise to 🔥. After burner lights, turn knob to desired setting.

Surface Burners

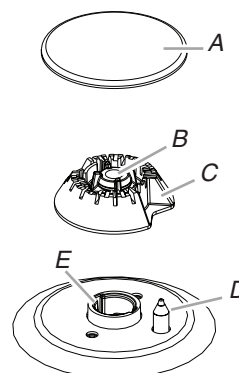
IMPORTANT: Do not obstruct the flow of combustion and ventilation air around the burner grate edges.

Burner cap: Always keep the burner cap in place when using a surface burner. A clean burner cap will help avoid poor ignition and uneven flames. Always clean the burner cap after a spillover, and routinely remove and clean the caps according to the "General Cleaning" section.

NOTE: Each round burner base is marked with a letter indicating the burner size.

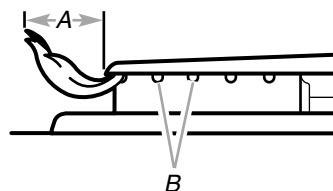
Alignment: Be sure to align the gas tube opening in the burner base with the orifice holder on the cooktop and the igniter electrode with the notch in the burner base.

NOTE: Each round burner base is marked with a letter indicating the burner size.



- A. Burner cap D. Igniter electrode
B. Gas tube opening E. Orifice holder
C. Burner base

Gas Tube Opening: Gas must flow freely throughout the gas tube opening for the burner to light properly. Keep this area free of soil, and do not allow spills, food, cleaning agents or any other material to enter the gas tube opening. Keep spillovers out of the gas tube opening by always using a burner cap.



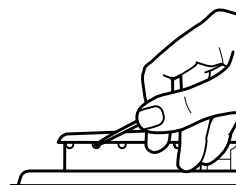
- A. 1 to 1 1/2" (2.5 to 3.8 cm)
B. Burner ports

Burner Ports: Check burner flames occasionally for proper size and shape as shown in the previous illustration. A good flame is blue in color, not yellow. Keep this area free of soil, and do not allow spills, food, cleaning agents or any other material to enter the burner ports.

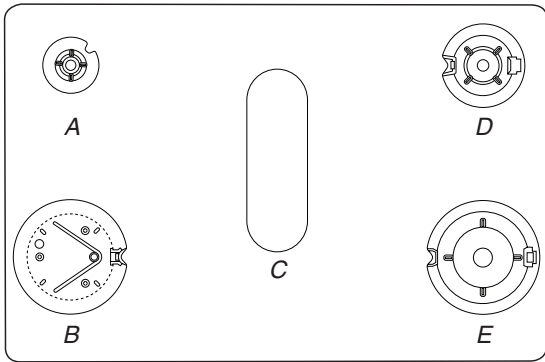
To Clean:

IMPORTANT: Before cleaning, make sure all controls are off and the cooktop is cool. Do not use oven cleaners, bleach or rust removers. Do not wash in the dishwasher.

1. Remove the burner cap and the burner base and clean according to the "General Cleaning" section.
2. Clean the gas tube opening with a damp cloth.
3. Clean clogged burner ports with a straight pin as shown. Do not enlarge or distort the port. Do not use a wooden toothpick. If the burner needs to be adjusted, contact a trained repair specialist.

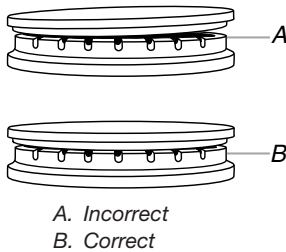


4. Replace the burner base. Each round burner base is marked with a letter indicating the burner size. See the following illustration for burner positions:



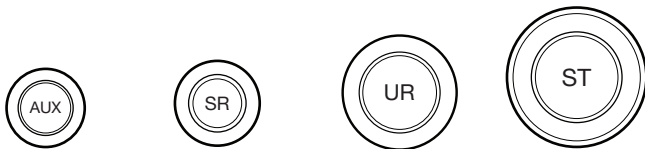
- A. Small (Auxiliary)
 B. X-Large (Stack)
 C. Oval (OV)
 D. Medium (Semi Rapid)
 E. Large (Ultra Rapid)

5. Replace the burner cap, making sure it is properly aligned with the burner base. The burner cap should not rock or wobble when properly aligned.



IMPORTANT: The bottom of the small and medium caps are different. Do not put the wrong size burner cap on the burner base.

NOTE: Each round burner base is marked with a letter indicating the burner size.



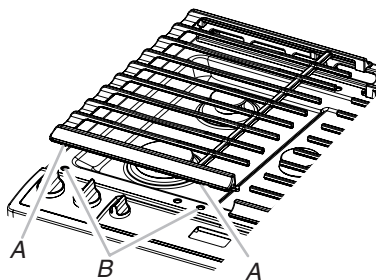
- Small cap (Auxiliary)
 Medium cap (Semi Rapid)
 Large cap (Ultra Rapid)
 X-Large cap (Stack)

6. Turn on the burner. If the burner does not light, check cap alignment. If the burner still does not light, turn off the burner. Do not service the burner yourself. Contact a trained repair specialist.

Surface Grates

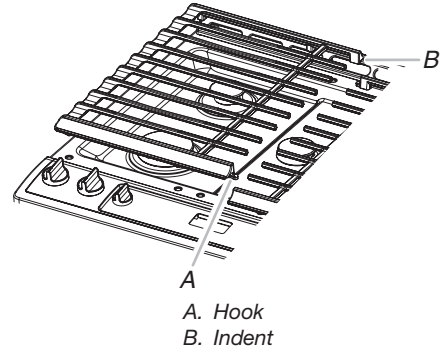
The grates must be properly positioned before cooking. In the proper position, the grates should be flush and level. Improper installation of the grates may result in chipping or scratching of the cooktop.

To ensure proper positioning, align bumpers on grate bottom with the indentations in the cooktop.



- A. Bumpers
 B. Alignment indentations

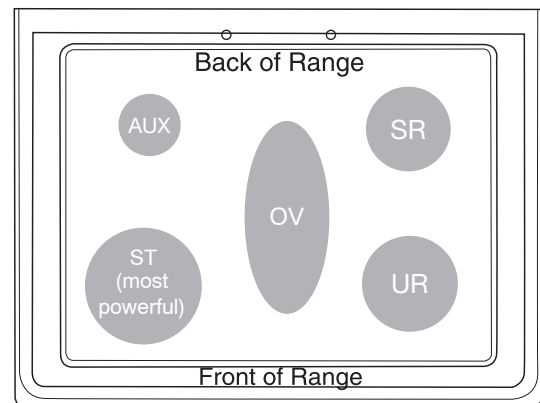
The surface grates interlock using the hook on one end of the grate and the indent on the other. To remove the grates, lift the rear of the left grate off the hook, and then lift the front of the right grate off the hook and pull apart. To replace the grates, replace the left grate first. Place the front indent of the right grate over the hook of the left grate, and then lift the rear of the left grate and place the indent over the hook on the right grate.



Although the burner grates are durable, they will gradually lose their shine and/or discolor due to the high temperatures of the gas flame.

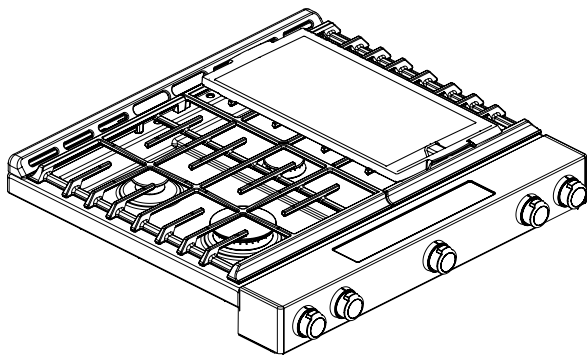
Burner Size

Select a burner that best fits your cookware. See the following illustration and chart.



Burner Size	Recommended Use
Auxiliary	<ul style="list-style-type: none"> Low-heat cooking Melting chocolate or butter
Semi Rapid	<ul style="list-style-type: none"> Multipurpose burner
Ultra Rapid	<ul style="list-style-type: none"> For large cookware
Stack (most powerful)	<ul style="list-style-type: none"> For large cookware Most powerful burner
Oval	<ul style="list-style-type: none"> For longer dishes

Griddle



Griddle installed on right side of cooktop

To Use the Griddle:

1. Locate the griddle on the right side grate, as shown. The locating feet on the bottom of the griddle will engage the grate tines to keep the griddle from sliding.
2. Before each use, brush on a thin layer of cooking oil to keep food from sticking. Cooking sprays may leave a sticky residue on the griddle that is hard to remove.
3. Preheat the griddle for 5 minutes. Preheating the griddle slowly will ensure even heat distribution and will avoid warping the griddle.
4. For preheating and cooking, set the front burner to the lowest heat setting and the rear burner to medium-high heat for best performance.

NOTE: The griddle may also be used on the left side grate. For best results, the rear burner setting should be set to Medium-Low or Medium, and the front burner setting should be set to Low.

To Clean the Griddle:

1. Let the griddle cool, and then empty the drip tray.
2. See the “General Cleaning” section for cleaning instructions.
3. Store griddle in a cool dry place.

Cookware

IMPORTANT: Do not leave empty cookware on a hot surface cooking area, element or surface burner.

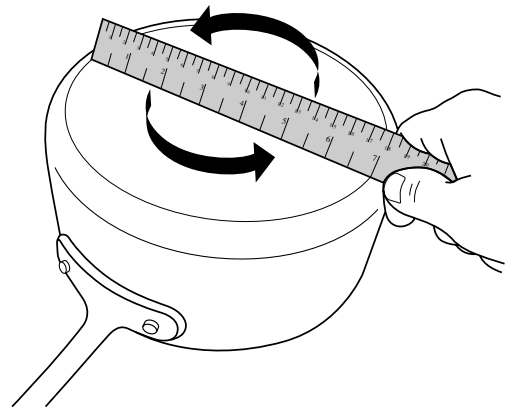
Ideal cookware should have a flat bottom, straight sides and a well-fitting lid, and the material should be of medium-to-heavy thickness.

Rough finishes may scratch the cooktop or coils. Aluminum and copper may be used as a core or base in cookware. However, when used as a base they can leave permanent marks on the surfaces.

Cookware material is a factor in how quickly and evenly heat is transferred, which affects cooking results. A nonstick finish has the same characteristics as its base material. For example, aluminum cookware with a nonstick finish will take on the properties of aluminum.

Cookware with nonstick surfaces should not be used under the broiler.

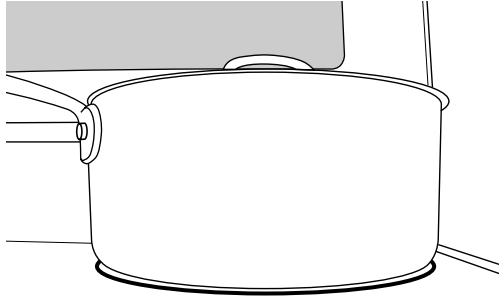
Check for flatness by placing the straight edge of a ruler across the bottom of the cookware. While you rotate the ruler, no space or light should be visible between it and the cookware.



Use the following chart as a guide for cookware material characteristics.

Cookware	Characteristics
Aluminum	<ul style="list-style-type: none"> ■ Heats quickly and evenly. ■ Suitable for all types of cooking. ■ Medium or heavy thickness is best for most cooking tasks. ■ May leave aluminum residues, which may be diminished if cleaned immediately after cooking.
Cast iron	<ul style="list-style-type: none"> ■ Heats slowly and evenly. ■ Good for browning and frying. ■ Maintains heat for slow cooking. ■ Rough edges or burrs may scratch the cooktop.
Ceramic or Ceramic glass	<ul style="list-style-type: none"> ■ Follow manufacturer's instructions. ■ Heats slowly, but unevenly. ■ Ideal results on low to medium heat settings. ■ May scratch the cooktop.
Copper	<ul style="list-style-type: none"> ■ Heats very quickly and evenly. ■ May leave copper residues, which may be diminished if cleaned immediately after cooking. ■ Can leave a permanent stain or bond to the cooktop if overheated.
Earthenware	<ul style="list-style-type: none"> ■ Follow manufacturer's instructions. ■ Use on low heat settings. ■ May scratch the cooktop.
Porcelain enamel-on-steel or cast iron	<ul style="list-style-type: none"> ■ See stainless steel or cast iron. ■ Porcelain enamel bakeware without the metal base may bond to the cooktop if overheated.
Stainless steel	<ul style="list-style-type: none"> ■ Heats quickly, but unevenly. ■ A core or base of aluminum or copper on stainless steel provides even heating.

Use flat-bottomed cookware for best cooking results and energy efficiency. The cookware should be about the same size as the cooking area outlined on the cooktop. Cookware should not extend more than 1/2" (1.3 cm) outside the area.



Home Canning

When canning for long periods, alternate the use of surface burners between batches. This allows time for the most recently used areas to cool.

- Center the canner on the grate above the burner.
- Do not place canner on 2 surface burners at the same time.
- For more information, contact your local agricultural extension office, or refer to published home canning guides. Companies that manufacture home canning products can also offer assistance.

OVEN

Odors and smoke are normal when the oven is used the first few times or when it is heavily soiled.

IMPORTANT: The health of some birds is extremely sensitive to the fumes given off by the oven. Exposure to the fumes may result in death to certain birds. Always move birds to another closed and well-ventilated room.

Aluminum Foil

IMPORTANT: To avoid permanent damage to the oven bottom finish, do not line the oven bottom with any type of foil or liner.

For best cooking results, do not cover entire oven rack with foil because air must be able to move freely.

Positioning Racks and Bakeware

IMPORTANT: To avoid permanent damage to the porcelain finish, do not place food or bakeware directly on the oven door or bottom.

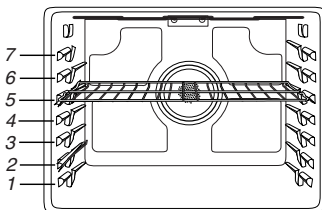
Bakeware

To cook food evenly, hot air must be able to circulate. Allow 2" (5 cm) of space around bakeware and oven walls. Make sure that no bakeware piece is directly over another.

Racks

- Position racks before turning on the oven.
- Do not position racks with bakeware on them.
- Make sure racks are level.

To position a rack, pull it out to the stop position, raise the front edge, and then lift out. Use the following illustration and charts as guides.

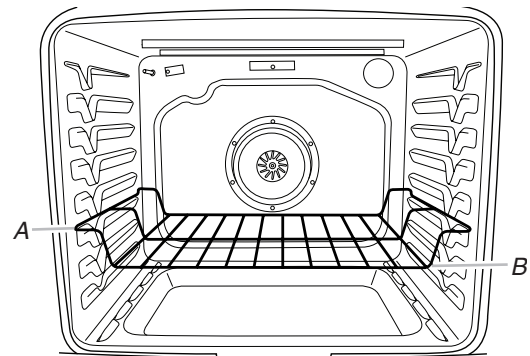


The oven has 7 positions for a flat rack, as shown in the previous illustration and the following table.

Flat Rack Position*	Type of Food
7	Broiling/searing meats, hamburgers, steaks
6	Broiled meats, poultry, fish
3 or 4	Most baked goods, casseroles, frozen foods
2	Roasted meats
1	Large roasts or poultry

For hamburger patties to have a well-seared exterior and a rare interior, use a flat rack in rack position 7. Side 1 should cook for approximately 2 1/2 to 3 1/2 minutes. Side 2 should cook for approximately 4 to 5 minutes. Expect a moderate degree of smoke when broiling.

* If your model has a Max Capacity Oven Rack, the recessed ends must be placed in the rack position above the desired position of the food. See the following illustration.



A. Ends of rack in position 3
B. Food in position 2

IMPORTANT: These rack positions are for flat racks. If a Max Capacity Oven Rack is used, the rack position must be adjusted as shown in the previous figure.

Multiple Rack Cooking

2-rack (non-convection): Use rack positions 2 and 5 or 3 and 6.

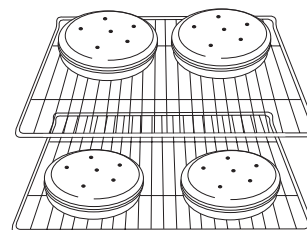
2-rack (convection): Use rack positions 2 and 5 or 3 and 6.

3-rack (convection): Use rack positions 2 and 7 and a Max Capacity Oven Rack in rack position 5.

Baking Cookies and Layer Cakes on 2 Racks

Baking Layer Cakes

For best results when baking cakes on 2 racks, use the Convection Bake function, a flat rack in rack position 2 and a Max Capacity Oven rack in rack position 6. If you do not have a Max Capacity Oven Rack, use a flat rack in rack position 5. Place the cakes on the racks as shown. Keep at least 3" (7.6 cm) of space between the front of the racks and the front cakes.



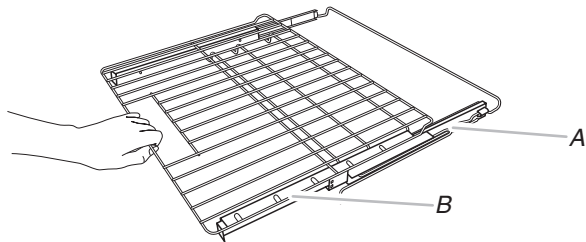
Baking Cookies

For best results when baking cookies on 2 racks, use the Convection Bake function, a flat rack in rack position 2 and a Max Capacity Oven rack in rack position 6 or a flat rack in position 5.

Roll-Out Rack

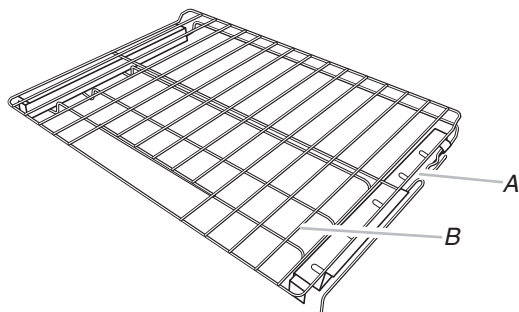
The roll-out rack allows easy access to position and remove food in the oven. It is not recommended to use the roll-out rack in the top rack, position 7, or the bottom rack, position 1.

Open Position



A. Rack frame
B. Sliding rack

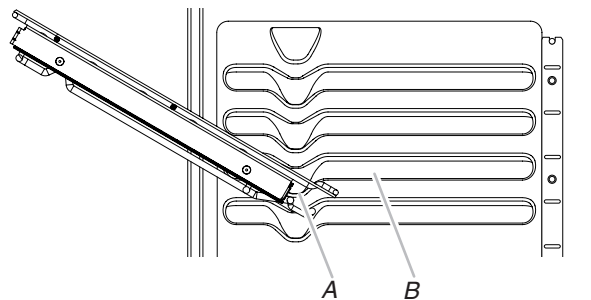
Closed and Engaged Position



A. Rack frame
B. Sliding rack

To Insert Roll-Out Rack

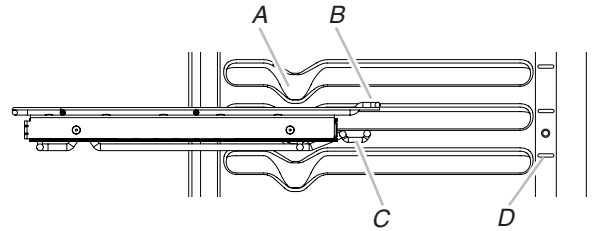
1. Angle the front of the rack assembly up, and then insert the rack frame into the "V" cutout in the rack guides of the oven cavity.



A. "V" cutout
B. Rack guides

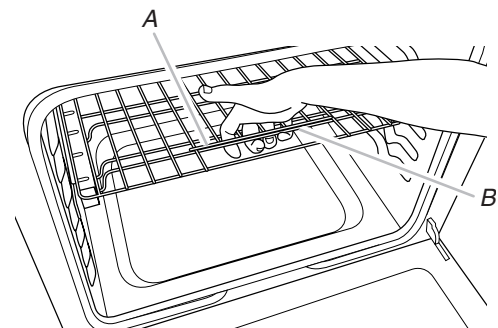
2. Keep rack assembly lifted up at an angle, and then push in to bypass the lower "V" cutout.

3. Lower the front of the rack assembly, and then gently slide rack assembly into oven, bypassing the "V" cutouts. Push the rack assembly into the oven until it stops at the ladder in the back of the oven.



A. "V" cutout
B. Rack guides
C. Ladder hook
D. Ladder

4. Reach through the rack to hold the sliding rack and the front crossbar. Lift the front of the rack assembly, and then push the rack assembly to the back of the oven. Lower the front of the rack assembly so the ladder hook engages with the ladder on both sides of the oven.



A. Sliding rack
B. Front crossbar

To Remove Roll-Out Rack

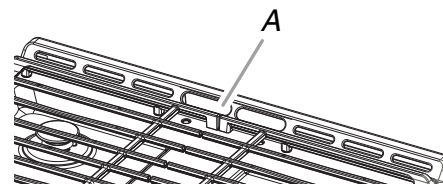
1. Push the sliding rack in completely so that it is in the closed and engaged position.
2. Reach through the rack to hold the sliding rack and the front crossbar. Lift the front of the rack assembly to disengage the ladder hook from the ladders at the rear of the oven, and then pull the rack assembly forward.
3. Using 2 hands, gently pull the sliding rack and the rack frame at the same time to the "V" cutout. Angle the rack so that the front is higher than the back, and then gently pull rack past "V" cutout and then out of the oven.

To avoid damage to the sliding rack, do not place more than 25 lbs (11.4 kg) on the rack.

Do not clean the roll-out rack in a dishwasher. It may remove the rack's lubricant and affect its ability to slide.

See the "General Cleaning" section for more information.

Oven Vent



A. Oven vent

The oven vent releases hot air and moisture from the oven and should not be blocked or covered. Blocking or covering the vent will cause poor air circulation, affecting cooking and cleaning results. Do not set plastics, paper, or other items that could melt or burn near the oven vent.

Sabbath Mode

The Sabbath mode sets the oven to remain on in a bake setting until turned off.

When the Sabbath mode is set, only the Bake cycle will operate. All other cooking and cleaning cycles are disabled. No tones will sound and the displays will not indicate temperature changes.

When the oven door is opened or closed, the oven light will not turn on or off and the heating elements will not turn on or off immediately.

To Enable Sabbath Mode Capability (One Time Only):

1. Press CLOCK/TOOLS until "SABBATH" is displayed. "OFF. Press (1) for On" will scroll in the display.
NOTE: A bake function for either, or both, ovens must be started before Sabbath Mode can be activated.
2. Press the "1" keypad. "ON. Press (1) for Off" will scroll in the display. Sabbath mode can be activated for baking.
3. Press START or CANCEL UPPER to exit and display the time of day.
NOTE: To disable the Sabbath mode, repeat steps 1 through 3 to change the status from "SABBATH ON" to "SABBATH OFF."

To Activate Sabbath Mode:

1. Press BAKE for the desired oven.
2. Press the number keypads to set the desired temperature. If the temperature entered is not in the range of the temperatures allowed, the minimum or maximum allowed temperature will be displayed. Enter a temperature in the allowable range.
3. Press START.
For timed cooking in Sabbath mode, press COOK TIME and then the number keypads to set the desired cook time.
4. Press CLOCK/TOOLS. Three tones will sound. Then press "7." "SAb" will appear in the display.

To Adjust Temperature (When Sabbath Mode Is Running):

1. Press the number keypad as instructed by the scrolling text to select the new temperature.
NOTE: The temperature adjustment will not appear on the display. The scrolling text will be shown on the display as it was before the keypad was pressed.
2. Press START.

To Deactivate Sabbath Mode:

Press CLOCK/TOOLS, and then press "7" to return to regular baking, or press CANCEL for the desired oven to turn off the range.

NOTE: No tones will sound while deactivating Sabbath mode.

Baking and Roasting

Preheating

When beginning a Bake or Convection Roast cycle, the oven will begin preheating after Start is pressed. The oven will take approximately 12 to 15 minutes to reach 350°F (177°C) with all of the oven racks provided with your oven inside the oven cavity. Higher temperatures will take longer to preheat. The preheat cycle rapidly increases the oven temperature. The actual oven temperature will go above your set temperature to offset the heat lost when your oven door is opened to insert food. This ensures that when you place your food in the oven, the oven will begin at the proper temperature. Insert your food when the preheat tone sounds. Do not open the door during preheat before the tone sounds.

Oven Temperature

While in use, the oven elements will cycle on and off as needed to maintain a consistent temperature, but they may run slightly hot or cool at any point in time due to this cycling. Opening the oven door while in use will release the hot air and cool the oven which could impact the cooking time and performance. It is recommended to use the oven light to monitor cooking progress.

NOTE: On models with convection, the convection fan may run in the non-convection Bake mode to improve oven performance.

Temperature Management System

The Temperature Management System electronically regulates the oven heat levels during preheat and Bake to maintain a precise temperature range for optimal cooking results. The bake and broil elements or burners cycle on and off in intervals. On convection range models, the fan will run while preheating and may be cycled on and off for short intervals during Bake to provide the best results. This feature is automatically activated when the oven is in use.

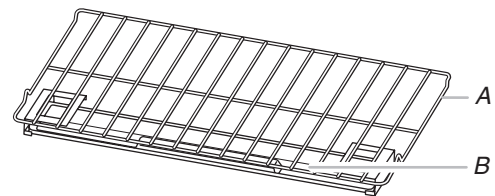
Before baking and roasting, position racks according to the "Positioning Racks and Bakeware" section. When roasting, it is not necessary to wait for the oven preheat cycle to end before putting food in, unless it is recommended in the recipe.

Steam Bake

The Steam Bake function works in conjunction with the steam rack to provide additional moisture during baking. The steam rack contains a water reservoir which heats up and releases steam into the oven cavity during the Steam Bake cycle. There are 3 preprogrammed food options to choose from: Breads, Desserts, and Fish as well as a Refresh/Reheat option.

For best performance, place the steam rack in the lowest available rack position in the cavity and pour 1½ cups (350 mL) of water into the reservoir. Do not fill past the MAX level indicated on the reservoir.

After the Steam Bake cycle is complete, some water may remain in the reservoir. This is normal. Wait for the oven to cool and discard the water.



A. Steam rack
B. Water reservoir

Broiling

When broiling, preheat the oven for 2 minutes before putting food in, unless recommended otherwise in the recipe. Position food on grid in a broiler pan, and then place it in the center of the oven rack.

IMPORTANT: Close the door to ensure proper broiling temperature.

Changing the temperature when broiling allows more precise control when cooking. The lower the broil setting is, the slower the cooking. Thicker cuts and unevenly shaped pieces of meat, fish, and poultry may cook better at lower broil settings. Use rack 6 or 7 for broiling. Refer to the "Positioning Racks and Bakeware" section for more information.

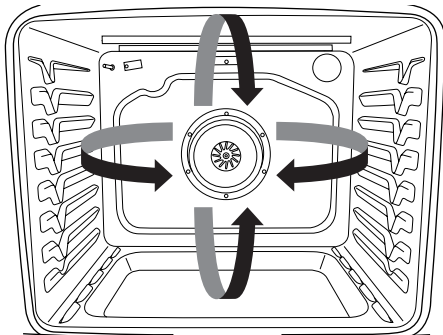
On lower settings, the broil element will cycle on and off to maintain the proper temperature.

- For best results, use a broiler pan and grid. It is designed to drain juices and help avoid spatter and smoke.

If you would like to purchase a broiler pan, one may be ordered. See the "Accessories" section.

Convection Cooking

In a convection oven, the fan-circulated hot air continually distributes heat more evenly than the natural movement of air in a standard thermal oven. This movement of hot air helps maintain a consistent temperature throughout the oven, cooking foods more evenly, crisping surfaces while sealing in moisture, and yielding crustier breads.



During convection baking or roasting, the bake, broil, and convection elements cycle on and off in intervals while the fan circulates the hot air. During convection broiling, the broil and convection elements cycle on and off.

If the oven door is opened during convection cooking, the fan will turn off immediately. It will come back on when the oven door is closed.

With convection cooking, most foods can be cooked at a lower temperature and/or a shorter cooking time than in a standard thermal oven. Depending upon the selected cooking mode, EasyConvect™ conversion can automatically reduce the standard recipe temperature and/or time you input for convection cooking. If you choose not to use the EasyConvect™ conversion, use the following table as a guide.

Convection Mode	Time/Temperature Guidelines
Convection Bake	25°F (15°C) lower temperature, possible shortened cooking time
Convection Roast	Cooking time shortened by up to 30%
Convection Broil	Shortened cooking time

Convect Options

Convect Bake - multiple-rack baking or cookies, biscuits, breads, casseroles, tarts, tortes, cakes

Convect Roast - whole chicken or turkey, vegetables, pork roasts, beef roasts

Convect Broil - thicker cuts or unevenly shaped pieces of meat, fish, or poultry

Proofing Bread

Proofing bread prepares the dough for baking by activating the yeast. Follow the recipe directions as a guide. Proof should be used for fresh dough, thawed dough, and for the first and second rise.

To Proof:

Before first proofing, place the dough in a lightly greased bowl and cover loosely with wax paper, coated with shortening. Place on rack guide 2 and close the oven door.

NOTE: If the temperature of the oven is greater than 120°F (49°C), "Oven Cooling" will be displayed until the temperature is less than 120°F (49°C).

1. Press PROOF.
2. Press START.

Let the dough rise until nearly doubled in size. Proofing time may vary depending on dough type and quantity.

3. Press CANCEL UPPER when finished proofing.

Before second proofing, shape the dough, place it in baking pan(s), and cover loosely. Follow the same placement and control steps above. Before baking, remove the cover.

NOTE: If the oven temperature is greater than 120°F (49°C), the display will indicate "Oven Cooling" until the temperature is below 120°F (49°C).

Cook Time

⚠ WARNING

Food Poisoning Hazard

Do not let food sit in oven more than one hour before or after cooking.

Doing so can result in food poisoning or sickness.

To Set a Timed Cook:

1. Press BAKE or BROIL or press an Easy Convect function.
2. Press the number keypads to set the desired temperature. If the temperature entered is not in the range of the temperatures allowed, the minimum or maximum allowed temperature will be displayed. Enter a temperature in the allowable range.
3. Press COOK TIME. The Cook Time oven indicator light will light up.
4. Press the number keypads to enter the length of time to cook.
5. Press START. The display will count down the time. When the time ends, the oven will shut off automatically.
6. Press CANCEL for the desired oven to clear the display.

To Set a Delayed Timed Cook:

1. Press BAKE or BROIL or press an Easy Convect function.
2. Press the number keypads to set the desired temperature. If the temperature entered is not in the range of the temperatures allowed, the minimum or maximum allowed temperature will be displayed. Enter a temperature in the allowable range.
3. Press COOK TIME. The Cook Time oven indicator light will light up.
4. Press number keypads to enter the length of time to cook.
5. Press DELAY START.
6. Press number keypads to enter the number of hours and/or minutes you want to delay the start time.
7. Press START.

When the start time is reached, the oven will automatically turn on. The temperature and/or time settings can be changed anytime after the oven turns on by repeating steps 2 through 4. When the set cook time ends, the oven will shut off automatically.

8. Press CANCEL for the desired oven to clear the display.

Baking Drawer

⚠ WARNING

Food Poisoning Hazard

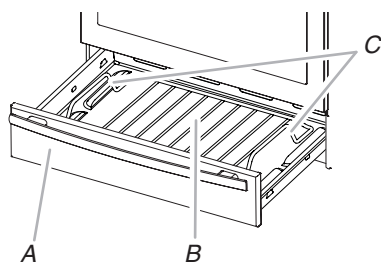
Do not let food sit in oven more than one hour before or after cooking.

Doing so can result in food poisoning or sickness.

The baking drawer is highly recommended for baking frozen foods. Use the temperature and medium cook time given on the frozen food packaging. For example, if the packaging suggests a cook time of 15 to 20 minutes, set the cook time for 17 minutes. Check food for doneness before removing from the baking drawer.

The baking drawer may also be used for conventional baking, slow cooking, and keeping hot cooked foods warm. It is not recommended to prepare foods taller than the height of the baking drawer rack handles or foods that may rise above 2½" (6.4 cm) in the baking drawer.

IMPORTANT: Always use the baking drawer rack when using the baking drawer.



- A. Baking drawer
- B. Baking drawer rack
- C. Baking drawer rack handles

See the "General Cleaning" section for more information.

To Bake with the Baking Drawer:

1. Press BAKING DRAWER BAKE.
2. Press the number keypads to set the desired temperature. If the temperature entered is not in the range of the temperatures allowed, the minimum or maximum allowed temperature will be displayed. Enter a temperature in the allowable range.
3. Press START.
4. To change the temperature, repeat steps 2 and 3.
5. Press CANCEL LOWER when finished.
6. Remove food from the drawer.

To Slow Cook with the Baking Drawer:

IMPORTANT: Brown roasts thoroughly before starting to slow cook.

1. Place food in the Baking Drawer.
2. Press BAKING DRAWER SLOW COOK.
3. Press the number keypads to set the desired temperature. If the temperature entered is not in the range of the temperatures allowed, the minimum or maximum allowed temperature will be displayed. Enter a temperature in the allowable range.
4. Press START.
5. (Optional) Set the desired cook time using the number keypads.
6. Press START.
7. Press CANCEL LOWER when finished.
8. Remove food from the baking drawer.

To Keep Warm with the Baking Drawer:

Food must be at serving temperature before placing it in the warmed drawer.

1. Place food in the baking drawer.
2. Press BAKING DRAWER KEEP WARM.
3. Press the number keypads to set the desired temperature. If the temperature entered is not in the range of the temperatures allowed, the minimum or maximum allowed temperature will be displayed. Enter a temperature in the allowable range.
4. Press START.
5. Press CANCEL LOWER when finished.
6. Remove food from the baking drawer.

Oven Light

The oven light is a standard 40 W appliance bulb. Before replacing, make sure the oven and cooktop are cool and the control knobs are in the Off position.

To Replace:

1. Unplug range or disconnect power.
2. Turn the glass bulb cover in the back of the oven counterclockwise to remove.
3. Turn bulb counterclockwise to remove from socket.
4. Replace bulb by turning clockwise.
5. Replace bulb cover by turning clockwise.
6. Plug in range or reconnect power.

Clean Cycle

AquaLift®

Self-Cleaning Technology

AquaLift® Technology is an innovative cleaning solution that utilizes heat and water to release baked-on spills from the oven in less than 1 hour. This new cleaning technology is a low-heat, odor-free alternative to traditional Clean options.

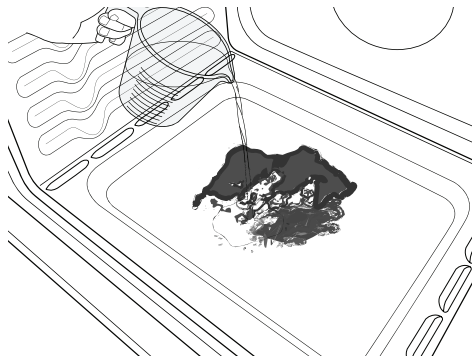
Allow the oven to cool to room temperature before using the Clean cycle. If your oven cavity is above 200°F (93°C), “Oven Cooling” will appear in the display and the Clean cycle will not be activated until the oven cavity cools down.

To Clean:

1. Remove all racks and accessories from the oven cavity and wipe excess soil. Use a plastic scraper to remove easily removed soils.



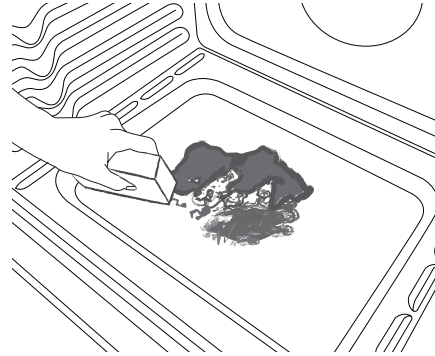
2. Pour 1¾ cups (14 oz [414 mL]) of distilled or filtered water onto the bottom of the empty oven and close the oven door.



IMPORTANT: Do not use chemicals or other additives with the water. Do not open the oven door during the Clean cycle. The water on the oven bottom is hot.

3. Press AQUALIFT SELF CLEAN and then START on the oven control panel.
4. Allow 40 minutes for cleaning and cooldown. A beep will sound when the Clean cycle is complete.
5. Press CANCEL UPPER at the end of the cycle. Cancel Upper may be pressed at any time to stop the Clean cycle.

6. Remove the residual water and loosened soils with a sponge or cloth immediately after the Clean cycle is complete. Much of the initial 1¾ cups (14 oz [414 mL]) of water will remain in the oven after the cycle is completed. If additional soils remain, leave a small amount of water in the oven bottom to assist with the cleaning.



7. If any soils remain, remove them with a non-scratch scrubbing sponge or plastic scraper. Additional Clean cycles may be run to help remove the stubborn soils.

IMPORTANT: Do not use oven cleaners. The use of chemicals, including commercial oven cleaners or metal scouring pads, may cause permanent damage to the porcelain surface of the oven interior.

NOTES:

- The range should be level to ensure that the entire surface of the bottom of the oven cavity is covered by water at the beginning of the Clean cycle.
- For best results, use distilled or filtered water. Tap water may leave mineral deposits on the oven bottom.
- Before removing the residual water and loosened soils at the end of the Clean cycle, insert a cloth or paper towel between the lower edge of the oven door and the front frame to keep water from spilling onto the front of the range and the floor.
- Soil baked on through several cooking cycles will be more difficult to remove with the Clean cycle.
- Nonabrasive scrub sponges or eraser-style cleaning pads (without cleaners) can be effective for cleaning the oven cavity walls, oven door, and oven bottom for difficult soils. For best results, moisten the pads and sponges before use.
- Run an additional Clean cycle for stubborn soils.
- Affresh® Kitchen Appliance Cleaner and affresh® Cooktop Cleaner may be used to clean the oven bottom, walls, and door when the oven has finished the cycle and returned to room temperature. If affresh® Cooktop Cleaner is used, it is recommended to wipe out the cavity with distilled water as well. Refer to the “Accessories” section for information on ordering.
- Additional AquaLift® Technology Cleaning Kits may be obtained by ordering Part Number W10423113RP. See the “Accessories” section for more information.
- For assistance with AquaLift® Technology, call 1-877-258-0808 in the U.S.A. or 1-800-807-6777 in Canada, or visit our website at <http://whirlpoolcorp.com/aqualift>.

General Cleaning

IMPORTANT: Before cleaning, make sure all controls are OFF and the oven and cooktop are cool. Always follow label instructions on cleaning products. For additional information, you can visit our website at www.kitchenaid.com. In Canada, visit our website at www.kitchenaid.ca.

Soap, water, and a soft cloth or sponge are suggested first, unless otherwise noted.

EXTERIOR PORCELAIN ENAMEL SURFACES

(on some models)

Food spills containing acids, such as vinegar and tomato, should be cleaned as soon as the entire range is cool. These spills may affect the finish.

Cleaning Method:

- Glass cleaner, mild liquid cleaner, or nonabrasive scrubbing pad:
Gently clean around the model/serial/rating plate because scrubbing may remove numbers.
- Affresh® Kitchen and Appliance Cleaner Part Number W10355010 (not included):
See the “Accessories” section for more information.

STAINLESS STEEL (on some models)

NOTE: To avoid damage to stainless steel surfaces, do not use soap-filled scouring pads, abrasive cleaners, Cooktop Cleaner, steel-wool pads, gritty washcloths, or abrasive paper towels. Damage may occur to stainless steel surfaces, even with one-time or limited use.

Cleaning Method:

Rub in direction of grain to avoid damaging.

- Affresh® Stainless Steel Cleaner Part Number W10355016 (not included):
See the “Accessories” section for more information.

Yellow Heat Stains:

1. Add 1 tbs (15 mL) of table salt to ¼ cup (59.1 mL) of vinegar, and then stir for 1 minute. Not all of the salt will dissolve.
2. Using a soft cloth, soak up the liquid of the vinegar mixture. Dab the wet cloth onto the yellow stains for 3 to 4 minutes. The wetter the stainless steel is, the better the cleaning results will be.
3. Let sit until the yellow stains have faded. Using a dry soft cloth, wipe off the remaining vinegar mixture.
4. Repeat steps 1 to 3 until all yellow stains have been removed.
5. Using clean water and a fresh soft cloth, clean off any remaining residue. Dry with a clean soft cloth.
6. Use affresh® Stainless Steel Cleaner Part Number W10355016 (not included) to protect and polish the cleaned surface.

NOTE: Remove surface grates before cleaning rear vent trim. Avoid dripping the vinegar mixture into the vent holes or down the back of the range.

METALLIC PAINT (on some models)

Do not use abrasive cleaners, cleaners with bleach, rust removers, ammonia or sodium hydroxide (lye) because paint surface may stain.

PORCELAIN-COATED GRATES AND CAPS

Food spills containing acids, such as vinegar and tomato, should be cleaned as soon as the cooktop, grates and caps are cool. These spills may affect the finish.

To avoid chipping, do not bang grates, and caps against each other or hard surfaces such as cast iron cookware.

Do not reassemble caps on burners while wet.

Cleaning Method:

- Nonabrasive plastic scrubbing pad and mildly abrasive cleanser:
Clean as soon as cooktop, grates, and caps are cool.
- Dishwasher (grates only, not caps):
Use the most-aggressive cycle. Cooked-on soils should be soaked or scrubbed before going into a dishwasher. Although the burner grates are durable, they may lose their shine and/or discolor when washed in a dishwasher.
- Gas Grate and Drip Pan Cleaner Part Number 31617 (not included):
See the “Accessories” section for more information.

SURFACE BURNERS

Food spills containing acids, such as vinegar and tomato, should be cleaned as soon as the cooktop, grates, and caps are cool. These spills may affect the finish.

To avoid chipping, do not bang grates and caps against each other or hard surfaces such as cast iron cookware.

Do not reassemble caps on burners while wet.

Do not clean in the Self-Cleaning cycle.

Do not clean in dishwasher.

Cleaning Method:

- Nonabrasive plastic scrubbing pad and mildly abrasive cleanser:
Clean as soon as cooktop, grates, burners, and caps are cool.
- Gas Grate and Drip Pan Cleaner (not included).

COOKTOP CONTROLS

To avoid damage to the cooktop controls, do not use steel wool, abrasive cleansers, or oven cleaner.

To avoid damage, do not soak knobs. When replacing knobs, make sure knobs are in the Off position.

On some models, do not remove seals under knobs.

Cleaning Method:

- Soap and water:
Pull knobs straight away from control panel to remove.

GRIDDLE

To avoid damaging the nonstick surface, do not use steel wool or abrasive cleaners.

Cleaning Method:

- Mild detergent
- Dishwasher:
Although the griddle is durable, it may lose its shine and/or is color when washed in a dishwasher.

CONTROL PANEL AND OVEN DOOR EXTERIOR

To avoid damage to the control panel, do not use abrasive cleaners, steel-wool pads, gritty washcloths or abrasive paper towels.

Cleaning Method:

- Glass cleaner and soft cloth or sponge:
Apply glass cleaner to soft cloth or sponge, not directly on panel.
- Affresh® Kitchen and Appliance Cleaner Part Number W10355010 (not included):
See the “Accessories” section for more information.

OVEN RACKS

Cleaning Method:

- Steel-wool pad
- For racks that have discolored and are harder to slide, a light coating of vegetable oil applied to the rack guides will help them slide.
- Dishwasher (steam rack water reservoir only, not racks):
Although the water reservoir is durable, it may lose its shine and/or discolor when washed in a dishwasher.

BAKING DRAWER

Check that baking drawer is cool and empty before cleaning.

Food spills should be cleaned when oven cools. At high temperatures, foods react with porcelain. Staining, etching, pitting, or faint white spots can result.

Cleaning Method:

- Mild detergent

OVEN CAVITY

Use AquaLift® Technology regularly to clean oven spills.

Do not use oven cleaners.

Food spills should be cleaned when oven cools. At high temperatures, foods react with porcelain. Staining, etching, pitting, or faint white spots can result.

Cleaning Method:

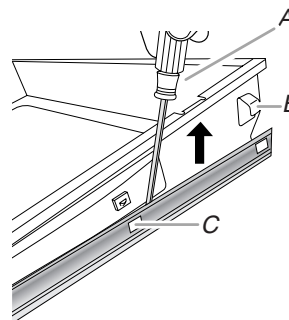
- Self-Cleaning cycle:
See the “Clean Cycle” section first.

Remove/Replace Drawer

Remove all items from inside the baking drawer, and then allow the range to cool completely before attempting to remove the drawer.

To Remove:

1. Open the drawer to its fully open position.
2. Using a flat-blade screwdriver, gently loosen the drawer from the glide alignment notch, and then lift up the drawer alignment tab from the glide.

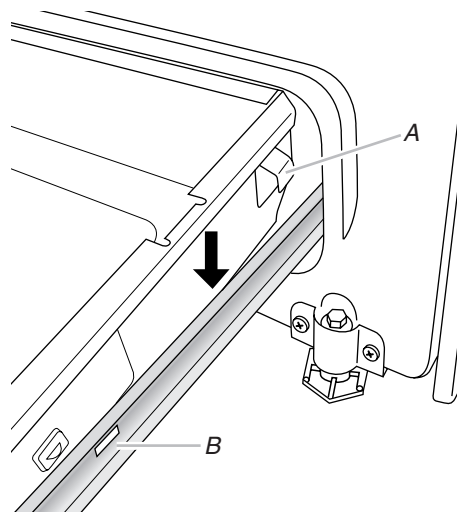


A. Flat-blade screwdriver
B. Drawer alignment tab
C. Drawer glide notch

3. Repeat Step 2 on the other side. The drawer is no longer attached to the drawer glides. Using both hands, pick up the drawer to complete the removal.

To Replace:

1. Align the forward drawer notches with the notches in the drawer glides on both sides. Place the rear alignment tabs into the drawer glides on both sides.



A. Drawer alignment tab
B. Drawer glide notch

2. Push the drawer in all the way.
3. Gently open and close the drawer to ensure it is seated properly on the glides on both sides.

TROUBLESHOOTING

First try the solutions suggested here. If you need further assistance or more recommendations that may help you avoid a service call, refer to the warranty, or visit <http://www.kitchenaid.com/customer-service>. In Canada, visit <http://www.kitchenaid.ca>.

Contact us by mail with any questions or concerns at the address below:

In the U.S.A.:


KitchenAid Brand Home Appliances
Customer eXperience Center
553 Benson Road
Benton Harbor, MI 49022-2692

In Canada:

KitchenAid Brand Home Appliances
Customer eXperience Centre
200 - 6750 Century Ave.
Mississauga, Ontario L5N 0B7

Please include a daytime phone number in your correspondence.

⚠ WARNING



Electrical Shock Hazard

Plug into a grounded 3 prong outlet.

Do not remove ground prong.

Do not use an adapter.

Do not use an extension cord.

Failure to follow these instructions can result in death, fire, or electrical shock.

Problem	Possible Causes and/or Solutions
Nothing will operate	<p>Power supply cord is unplugged - Plug into a grounded outlet.</p> <p>ENERGY SAVE is active, and the display is blank - Press any keypad on the control to display the time of day. See the “Electronic Oven Controls” section for more information.</p> <p>Household fuse is blown or a circuit breaker is tripped - Replace the fuse or reset the circuit breaker. If the problem continues, call an electrician.</p> <p>Main or regulator gas shut-off valve is in the OFF position - See the Installation Instructions.</p> <p>The range is improperly connected to the gas supply - Contact a trained repair specialist or see Installation Instructions.</p>
Surface burners will not operate	<p>The control knob is not set correctly - Push in knob before turning to a setting.</p> <p>Air in the gas lines - If this is the first time the surface burners have been used, turn on any one of the surface burner knobs to release air from the gas lines.</p> <p>Clogged burner ports - See the “Sealed Surface Burners” section.</p>
Surface burner flames are uneven, yellow and/or noisy	<p>Clogged burner ports - See the “Sealed Surface Burners” section.</p> <p>Burner caps positioned improperly - See “Sealed Surface Burners” section.</p> <p>Range converted improperly - If propane gas is being used, contact a service technician or see the “Warranty” for contact information.</p>
Excessive heat around cookware on cooktop	<p>Cookware and flame are not matched - The cookware should be centered above the burner with the bottom sitting level on the grate. The flame should be adjusted so that it does not extend up the sides of the pan.</p>
Cooktop cooking results not what expected	<p>Improper cookware - Ideal cookware should have a flat bottom, straight sides and a well fitting lid, and the material should be of a medium-to-heavy thickness.</p> <p>Control knob set to incorrect heat level - See the “Cooktop Use” section.</p> <p>Range is not level - Level the range. See the Installation Instructions.</p>
Oven will not operate	<p>Air in the gas lines - If this is the first time the oven has been used, turn on any one of the surface burner knobs to release air from the gas lines.</p> <p>Control is locked - Press and hold START for 3 seconds to unlock.</p> <p>The range is in Demo mode - Demo mode will deactivate all oven elements. See “Demo mode” in the “Electronic Oven Controls” section.</p> <p>Electronic oven control set incorrectly - See the “Electronic Oven Controls” section.</p>

Problem	Possible Causes and/or Solutions
Oven burner flames are yellow or noisy	Range converted improperly - If propane gas is being used, contact a service technician or see the "Warranty" for contact information.
Oven temperature too high or too low	Oven temperature needs adjustment - See "Oven Temperature Control" in the "Electronic Oven Controls" section.
Convection fan not working	The convection cycle is in the first 5 minutes of operation - This is normal. The convection fan will start running approximately 5 minutes into the cycle. Oven door is open - If the oven door is opened during convection cooking, the fan will turn off immediately. It will come back on when the oven door is closed.
Display shows messages	Power failure (display shows flashing time) - Clear the display. On some models, reset the clock, if needed. See "Clock" keypad feature in the "Feature Guide" section. Error code (display shows letter followed by number) - Depending on your model, press CANCEL to clear the display. See "Control Display" in the "Electronic Oven Controls" section. If it reappears, call for service. See the "Warranty" for contact information. Start needs to be pressed so a cycle can begin (display shows "PUSH" or "PSH") - See the "Start" keypad feature in the "Feature Guide" section. Range is in Sabbath Mode (display shows "SAb") - Press CANCEL to exit Sabbath mode.
Clean cycle did not work on all spills	Several cooking cycles between Clean cycles or spills on oven walls and doors - Run additional Clean cycles. Use the AquaLift® Technology Cleaning Kit. Affresh® Kitchen and Appliance Cleaner or affresh® Cooktop Cleaner can be used for stubborn soils. See the "Accessories" and "Clean Cycle" sections for more information.
Mineral deposits are left on the oven bottom after the Clean cycle	Tap water was used in the Clean cycle - Use distilled or filtered water in the Clean cycle. To remove deposits, use a cloth soaked with vinegar. Then use a cloth dampened with water to thoroughly remove any vinegar residue. Range is not level - Mineral deposits will collect on dry areas of the oven bottom during the Clean cycle. Level the range. See the Installation Instructions. To remove deposits, use a cloth soaked with vinegar. Then use a cloth dampened with water to thoroughly remove any vinegar residue.
Oven cooking results not what expected	Range is not level - Level the range. See the Installation Instructions. The set temperature was incorrect - Double-check the recipe in a reliable cookbook. Oven temperature needs adjustment - See "Oven Temperature Control" in the "Electronic Oven Controls" section. Oven was not preheated - See the "Baking and Roasting" section. Racks were positioned improperly - See the "Positioning Racks and Bakeware" section. Not enough air circulation around bakeware - See the "Positioning Racks and Bakeware" section. Darker browning of food caused by dull or dark bakeware - Lower oven temperature 25°F (15°C) or move rack to a higher position in the oven. Lighter browning of food caused by shiny or light colored bakeware - Move rack to a lower position in the oven. Batter distributed unevenly in pan - Check that batter is level in the pan. Incorrect length of cooking time was used - Adjust cooking time. Oven door was not closed - Be sure that the bakeware does not keep the door from closing. Oven door was opened during cooking - Oven peeking releases oven heat and can result in longer cooking times. Rack is too close to bake burner, making baked items too brown on bottom - Move rack to higher position in the oven. Pie crusts browning too quickly - Use aluminum foil to cover the edge of the crust and/or reduce baking temperature.

Noises

Problem	Possible Causes and/or Solutions
Oven cooking results not what expected	Wet burner - Allow it to dry.
Gas range noises during Bake and Broil operations The following are some normal sounds with the explanations.	These sounds are normal operational noises that can be heard each time the Bake or Broil burners ignite during the cycle.
Pop	Gas valve is opening or cycling on and will make a single pop when it snaps open from the solenoid. It sounds similar to a suction cup being pulled off of a piece of glass - This is normal.
Click	The igniters will click several times until the flame is detected. These are short clicking sounds like tapping a nail onto a piece of glass - This is normal. Convection fan relay is cycling on and off (on some models) - This is normal.
Woosh or poof	Bake or Broil burner is igniting - This is normal.
Oven burner flames are yellow or noisy	Range converted improperly - If propane gas is being used, contact a service technician or see "Warranty" for contact information.

ACCESSORIES

For accessories in the U.S.A., you can visit our website at www.kitchenaid.com or call us at **1-800-422-1230**.

In Canada, visit our website at www.kitchenaid.ca or call us at **1-800-807-6777**.

Complete Cooktop Cleaner Kit
(ceramic glass models)
(includes cleaner, protectant, protectant applicator, scraper, and cleaner pads)
Order Part Number 31605

Cooktop Protectant
(ceramic glass models)
Order Part Number 31463A

Affresh® Stainless Steel Cleaning Wipes
(stainless steel models)
Order Part Number W10355049

Affresh® Cooktop Cleaner
(ceramic glass models)
Order Part Number W10355051

Cooktop Cleaning Pads
(ceramic glass models)
Order Part Number W10391473

Affresh® Stainless Steel Cleaner
(stainless steel models)
Order Part Number W10355016

Affresh® Kitchen and Appliance Cleaner
Order Part Number W10355010

AquaLift® Oven Cleaning Kit
Order Part Number W10423113RP

Cooktop Scraper
(ceramic glass models)
Order Part Number WA906B

Granite Cleaner and Polish
Order Part Number W10275756

Gas Grate and Drip Pan Cleaner
Order Part Number 31617A

Canning Unit Kit
(coil models)
Order Part Number 242905

Gourmet Griddle
Order Part Number W10432539

Standard Flat Oven Rack
Order Part Number W10551060

Roll-Out Oven Rack
Order Part Number W10554008

Steam Oven Rack
Rack - HD, Steam - Order Part Number W10554007
Kit - Reservoir, Steam Rack - Order Part Number - W10686408
Reservoir - HD, Steam Rack - Order Part Number - W10567015
Box - Reservoir, Steam Rack - Order Part Number - W10686405

Split Oven Rack
Order Part Number 4396927

Max Capacity Oven Rack
Order Part Number W10289145

Porcelain Broiler Pan and Grid
Order Part Number 4396923

Premium Broiler Pan and Roasting Rack
Order Part Number W10123240

Trim Assembly
5/8" (1.7 cm) White - Order Part Number W10675027
5/8" (1.7 cm) Black - Order Part Number W10675026
5/8" (1.7 cm) Stainless Steel - Order Part Number W10675028
1 1/8" (2.9 cm) White - Order Part Number W10731885
1 1/8" (2.9 cm) Black - Order Part Number W10731886
1 1/8" (2.9 cm) Stainless Steel - Order Part Number W10731887

Backsplash Assembly
White - Order Part Number W10655448
Black - Order Part Number W10655449
Stainless Steel - Order Part Number W10655450

Grill Kit
Order Part Number W10432545

IMPORTANT: When the range is used under microwave models: JMC82808CB-0, JMV9196CB-0, or YJMV9196CB-0, the Door Baffle Plate Part Number W10737014 must be ordered and used.

MERCI d'avoir acheté ce produit de grande qualité. Enregistrez la cuisinière sur www.kitchenaid.com. Au Canada, enregistrer la table de cuisson sur www.kitchenaid.ca.

Pour référence ultérieure, consignez par écrit les numéros de modèle et de série de votre produit. Vous trouverez les numéros de modèle et de série sur la plaque signalétique située sur le châssis du four, derrière la partie supérieure droite de la porte du four.

Numéro de modèle _____

Numéro de série du produit _____

Table des matières

SÉCURITÉ DE LA CUISINIÈRE	26
La bride antibasculement.....	27
CONSEILS ÉLÉMENTAIRES D'UTILISATION	28
Technologie d'autonettoyage AquaLift®	28
Températures en surface.....	28
Préchauffage	28
Brûleurs de surface.....	28
GUIDE DES CARACTÉRISTIQUES	29
Commandes électroniques du four	32
TABLE DE CUISSON	34
Brûleurs de surface	34
Grilles de surface	35
Taille du brûleur	36
Plaque à frire	36
Ustensiles de cuisson	36
Mise en conserve à la maison.....	37
FOUR	38
Papier d'aluminium	38
Positionnement des grilles et des ustensiles de cuisson au four	38
Grille déployante	39
Évent du four	40
Mode Sabbath.....	40
Cuisson au four et rôtissage	40
Cuisson au gril.....	41
Cuisson par convection	41
Levée du pain.....	41
Durée de cuisson	42
Tiroir de cuisson.....	42
Lampe du four.....	43
ENTRETIEN DE LA CUISINIÈRE	44
Programme d'autonettoyage.....	44
Nettoyage général.....	45
Dépose et réinstallation du tiroir	46
DÉPANNAGE	47
ACCESSOIRES	50

Votre sécurité et celle des autres est très importante.

Nous donnons de nombreux messages de sécurité importants dans ce manuel et sur votre appareil ménager. Assurez-vous de toujours lire tous les messages de sécurité et de vous y conformer.



Voici le symbole d'alerte de sécurité.

Ce symbole d'alerte de sécurité vous signale les dangers potentiels de décès et de blessures graves à vous et à d'autres.

Tous les messages de sécurité suivront le symbole d'alerte de sécurité et le mot "DANGER" ou "AVERTISSEMENT". Ces mots signifient :

! DANGER

Risque possible de décès ou de blessure grave si vous ne suivez pas immédiatement les instructions.

! AVERTISSEMENT

Risque possible de décès ou de blessure grave si vous ne suivez pas les instructions.

Tous les messages de sécurité vous diront quel est le danger potentiel et vous disent comment réduire le risque de blessure et ce qui peut se produire en cas de non-respect des instructions.

AVERTISSEMENT : Si les renseignements dans ces instructions ne sont pas exactement observés, un incendie ou une explosion peut survenir, causant des dommages au produit, des blessures ou un décès.

- Ne pas entreposer ni utiliser de l'essence ou d'autres vapeurs ou liquides inflammables à proximité de cet appareil ou de tout autre appareil électroménager.
- QUE FAIRE DANS LE CAS D'UNE ODEUR DE GAZ :
 - Ne pas tenter d'allumer un appareil.
 - Ne pas toucher à un commutateur électrique.
 - Ne pas utiliser le téléphone se trouvant sur les lieux.
 - Appeler immédiatement le fournisseur de gaz à partir du téléphone d'un voisin. Suivre ses instructions.
 - À défaut de joindre votre fournisseur de gaz, appeler les pompiers.
- L'installation et l'entretien doivent être effectués par un installateur qualifié, une agence de service ou le fournisseur de gaz.

AVERTISSEMENT : L'odorat ne permet pas toujours la détection d'une fuite de gaz.

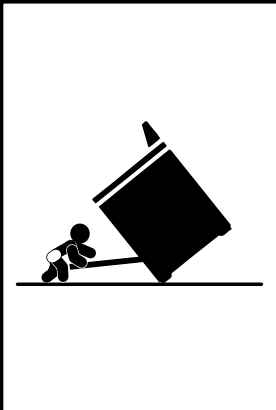
Les distributeurs de gaz recommandent l'emploi d'un détecteur de gaz (homologation UL ou CSA).

Pour d'autre information, contacter le fournisseur de gaz local.

En cas de détection d'une fuite de gaz, exécuter les instructions "Que faire dans le cas d'une odeur de gaz".

La bride antibasculement

Dans des conditions de service normales, la cuisinière ne bascule pas. Elle peut cependant basculer si une force ou un poids excessif est appliqué sur la porte ouverte alors que la bride antibasculement n'est pas convenablement fixée.



⚠ AVERTISSEMENT

Risque de basculement

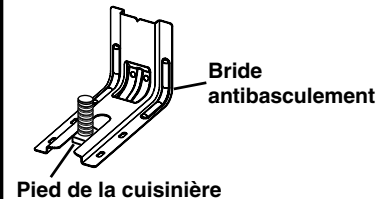
Un enfant ou une personne adulte peut faire basculer la cuisinière, ce qui peut causer un décès.

Vérifier que la bride antibasculement est bien installée et engagée, conformément aux instructions d'installation.

Réengager la bride antibasculement si la cuisinière a été déplacée.

Ne pas faire fonctionner la cuisinière si la bride antibasculement n'est pas installée et engagée.

Le non-respect de ces instructions peut causer un décès ou des brûlures graves aux enfants et aux adultes.



Pour vérifier que la bride antibasculement est bien installée et engagée :

- **Faire glisser la cuisinière vers l'avant.**
- **Vérifier que la bride antibasculement est bien fixée au plancher ou au mur.**
- **Faire de nouveau glisser la cuisinière vers l'arrière de sorte que le pied de la cuisinière se trouve sous la bride antibasculement.**
- **Voir les instructions d'installation pour plus de détails.**

IMPORTANTES INSTRUCTIONS DE SÉCURITÉ

AVERTISSEMENT : Pour réduire le risque d'incendie, de choc électrique, de blessures ou de dommages lors de l'utilisation de la cuisinière, il convient d'observer certaines précautions élémentaires dont les suivantes :

■ **AVERTISSEMENT :** POUR MINIMISER LE RISQUE DE BASCULEMENT DE LA CUISINIÈRE, ELLE DOIT ÊTRE BIEN IMMOBILISÉE PAR DES DISPOSITIFS ANTIBASCULEMENT CORRECTEMENT INSTALLÉS. POUR VÉRIFIER SI LES DISPOSITIFS SONT CORRECTEMENT INSTALLÉS, GLISSER LA CUISINIÈRE VERS L'AVANT ET VÉRIFIER SI LA BRIDE ANTIBASCULEMENT EST BIEN FIXÉE AU PLANCHER OU AU MUR, ET GLISSER LA CUISINIÈRE VERS L'ARRIÈRE POUR QUE LE PIED ARRIÈRE DE LA CUISINIÈRE SOIT SOUS LA BRIDE ANTIBASCULEMENT.

■ **AVERTISSEMENT :** NE JAMAIS utiliser cet appareil comme dispositif de chauffage de la pièce. Le non-respect de cette instruction peut entraîner une intoxication au monoxyde de carbone et une surchauffe du four.

■ **AVERTISSEMENT :** NE JAMAIS couvrir les fentes, trous ou passages d'air au fond du four ou couvrir entièrement une grille avec des matériaux tels que du papier d'aluminium. Le non-respect de cette instruction empêche la circulation de l'air dans le four et peut entraîner une intoxication au monoxyde de carbone. Les feuilles de papier d'aluminium peuvent également retenir la chaleur et créer un risque d'incendie.

■ **MISE EN GARDE :** Ne pas remettre dans des armoires au-dessus de la cuisinière ou sur le dossier d'une cuisinière, des objets que des enfants pourraient vouloir atteindre. Les enfants pourraient se blesser gravement en grimant sur la cuisinière.

■ Installation appropriée – La cuisinière, lorsqu'elle est correctement installée, doit être reliée à la terre conformément aux codes électriques locaux ou, en l'absence de codes locaux, selon le *Code électrique national (US) ANSI/NFPA 70* ou le *Code canadien de l'électricité*. S'assurer que la cuisinière est correctement installée et reliée à la terre par un technicien qualifié.

■ Cette cuisinière est munie d'une fiche de liaison à la terre à trois broches pour votre protection contre les risques de choc électrique et doit être branchée directement dans une prise de courant bien reliée à la terre. Ne pas couper ni enlever la broche de liaison à la terre de cette fiche.

■ Déconnecter la source de courant électrique avant l'entretien.

■ Des blessures peuvent survenir du fait d'un mauvais usage des portes ou des tiroirs de l'appareil tel que se tenir debout sur la surface, se pencher ou s'asseoir sur les portes ou tiroirs.

■ Entretien – Garder l'espace autour de la cuisinière dégagé et libre de matériaux combustibles, d'essence et d'autres vapeurs et liquides inflammables.

■ Remisage dans ou sur la cuisinière – Des produits inflammables ne devraient pas être remisés dans un four ou près des éléments de surface.

■ La taille de la flamme des brûleurs de surface devrait être ajustée de sorte qu'elle ne dépasse pas le bord de l'ustensile de cuisson.

Cuisinière autonettoyante –

■ Avant l'autonettoyage du four – Ôter la lèchefrite et son plat et les autres ustensiles. Essuyer tous les renversements excessifs avant de mettre en marche le programme d'autonettoyage.

CONSERVEZ CES INSTRUCTIONS

CONSEILS ÉLÉMENTAIRES D'UTILISATION

Technologie d'autonettoyage AquaLift®



La technologie d'autonettoyage AquaLift® est une solution de nettoyage inédite permettant de réduire la durée, la température et les odeurs habituellement dégagées par rapport aux méthodes d'autonettoyage traditionnelles. Avec la technologie d'autonettoyage AquaLift®, une pellicule protectrice exclusive est activée par la chaleur et l'eau à l'intérieur du four pour décoller les salissures incrustées. Pour utiliser la technologie d'autonettoyage AquaLift®, il suffit d'essuyer les débris décollés, de verser de l'eau au fond du four et de lancer le programme d'autonettoyage AquaLift®. Une fois le programme terminé, en moins de 1 heure à une température plus basse que les méthodes d'autonettoyage traditionnelles, essuyer simplement l'eau restante et les salissures décollées. Voir la section "Programme de nettoyage" pour des instructions plus détaillées. Pour plus d'informations, des réponses aux questions fréquentes et des vidéos consacrées à la technologie d'autonettoyage AquaLift®, visiter notre site Web à l'adresse <http://whirlpoolcorp.com/aqualift>.

Températures en surface

Lorsque la cuisinière est en marche, toutes ses surfaces peuvent chauffer, y compris les boutons de commande et la porte du four.

Tiroir-réchaud

Lorsque le four est en marche, le tiroir peut chauffer. Ne pas placer d'objets en plastique, en tissu ou susceptibles de fondre ou de brûler dans le tiroir.

Évent du four

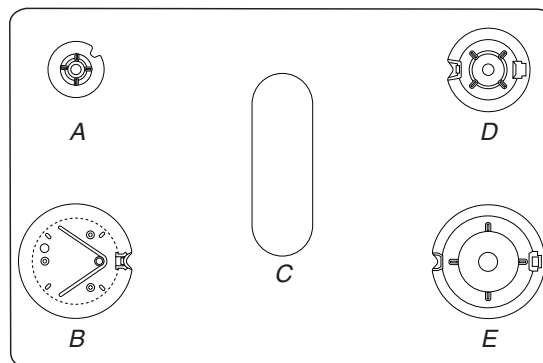
L'évent du four permet l'évacuation de l'air chaud et de l'humidité du four. Il ne doit pas être obstrué ou couvert. Ne pas placer près de l'évent du four des objets en plastique, en papier ou susceptibles de fondre ou de brûler.

Préchauffage

Au début d'un programme de cuisson au four ou de cuisson au four avec convection, le four commence par un préchauffage une fois la touche Start (mise en marche) enfoncée. Le four atteint 350 °F (177 °C) en 12 à 15 minutes environ lorsque toutes les grilles fournies avec le four sont à l'intérieur. Pour atteindre une température plus élevée, le préchauffage est plus long. Le programme de préchauffage augmente rapidement la température du four. La température réelle du four dépasse alors la température programmée, pour compenser la chaleur perdue à l'ouverture du four pour y introduire le plat à cuire. Ainsi, le four entame la cuisson à la température correcte après y avoir placé le plat. Placer les aliments au four lorsque le signal sonore de préchauffage retentit. Ne pas ouvrir la porte du four pendant le préchauffage tant que le signal sonore n'a pas retenti.

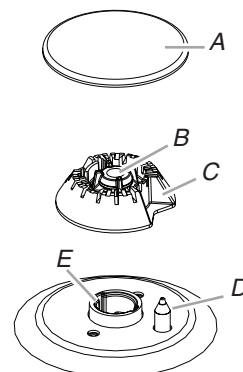
Brûleurs de surface

Les bases et les chapeaux des brûleurs doivent être correctement positionnés avant la cuisson. Votre cuisinière est équipée de brûleurs et de chapeaux de trois tailles. Chaque base de brûleur rond est marquée d'une lettre indiquant la taille du brûleur. Aligner les bases des brûleurs comme indiqué sur l'illustration suivante :



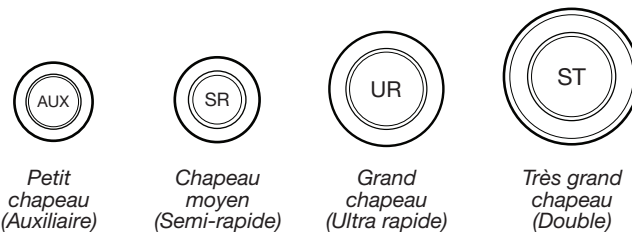
A. Petit (Auxiliaire) C. Ovale (OV)
B. Très grand (Double) D. Moyen (Semi-rapide)
E. Grand (Ultra-rapide)

Aligner l'ouverture du tube d'arrivée de gaz de la base du brûleur avec le porte-gicleur situé sur la cuisinière, et aligner également l'électrode d'allumage avec l'encoche de la base du brûleur.

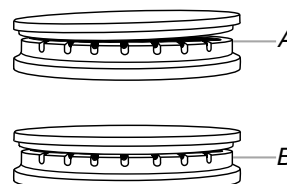


A. Chapeau de brûleur C. Base du brûleur
B. Ouverture du tube D. Électrode d'allumage
d'arrivée de gaz E. Porte-gicleur

Placer les chapeaux de brûleurs sur les bases des brûleurs correctes. Chaque chapeau de brûleur rond est marqué d'une lettre indiquant la taille du brûleur. Placer les chapeaux de brûleur sur les bases de brûleur correspondantes.



Un chapeau de brûleur correctement placé doit être horizontal. Si les chapeaux de brûleurs ne sont pas correctement installés, les brûleurs de surface ne s'allumeront pas. Le chapeau de brûleur ne devrait pas se balancer ou tanguer s'il est correctement aligné.



A. Incorrect
B. Correct

GUIDE DES CARACTÉRISTIQUES

Ce manuel concerne plusieurs modèles. Le modèle que vous avez peut comporter toutes les caractéristiques énumérées ou seulement certaines d'entre elles. Consulter ce manuel ou la section d'aide des produits de notre site Internet www.kitchenaid.com. Au Canada, consulter la section d'aide des produits de notre site Internet www.kitchenaid.ca.

⚠ AVERTISSEMENT

Risque d'empoisonnement alimentaire

Ne pas laisser des aliments reposer plus d'une heure avant ou après la cuisson.

Le non-respect de cette instruction peut causer un empoisonnement alimentaire ou une maladie.



Touche	Caractéristique	Instructions
CLOCK/TOOLS (horloge/outils)	Horloge	Cette horloge est réglable sur 12 ou 24 heures. Voir la section “Commandes électroniques du four”. <ol style="list-style-type: none"> Appuyer sur CLOCK/TOOLS (horloge/outils) jusqu’à afficher “CLOCK” (horloge). Appuyer sur les touches numériques pour régler l’heure. Appuyer sur START (mise en marche) pour changer l’heure. Appuyer sur “3” pour AM (heure du matin) ou “6” pour PM (heure de l’après-midi).
CLOCK/TOOLS (horloge/outils)	Réglages	Permet de personnaliser les signaux sonores et le fonctionnement du four selon les préférences de l’utilisateur. Voir la section “Commandes électroniques du four”.
OVEN LIGHT (éclairage du four)	Éclairage de la cavité du four	L’éclairage du four est commandé par une touche située sur le tableau de commande du four. La porte du four étant fermée, appuyer sur OVEN LIGHT (éclairage du four) pour allumer ou éteindre la lampe. L’éclairage du four s’allume automatiquement à l’ouverture de la porte.
TIMER SET/OFF (réglage/arrêt de la minuterie)	Minuterie du four	La minuterie peut être réglée en heures ou en minutes jusqu’à concurrence de 9 heures et 59 minutes. <ol style="list-style-type: none"> Appuyer sur TIMER SET/OFF (réglage/arrêt de la minuterie). Appuyer sur les touches numériques pour régler la durée en hr-min-min. Les zéros de gauche peuvent ne pas être entrés. Entrer “2” pour 2 minutes par exemple. Appuyer sur TIMER SET/OFF (réglage/arrêt de la minuterie) pour commencer le compte à rebours. Si activés, les signaux sonores de fin de programme retentissent à la fin du compte à rebours. Appuyer sur TIMER SET/OFF (réglage/arrêt de la minuterie) pour annuler la minuterie et revenir à l’heure du jour. Ne pas appuyer sur la touche Cancel (annulation), sinon le four s’éteindra. Si la minuterie est activée mais n’apparaît pas sur l’affichage, appuyer sur TIMER SET/OFF (réglage/arrêt de la minuterie) pour faire apparaître le compte à rebours pendant 5 secondes.
START (mise en marche)	Démarrage de la cuisson	La touche Start (mise en marche) met en marche n’importe quelle fonction du four. Si, après avoir appuyé sur une touche, on n’appuie pas sur Start (mise en marche) dans les 2 minutes qui suivent, la fonction est annulée et l’heure s’affiche.
CANCEL UPPER (on some models) [annulation four supérieur/annulation four inférieur (sur certains modèles)]	Fonction de la cuisinière	La touche Cancel (annulation) désactivent toutes les fonctions du four ou du tiroir correspondant à l’exception de l’horloge et de la minuterie.

Touche	Caractéristique	Instructions
BAKE (cuisson au four)	Cuisson au four et rôtissage	<ol style="list-style-type: none"> Appuyer sur BAKE (cuisson au four). Utiliser les touches numériques pour régler la température souhaitée. Si la température entrée ne se trouve pas dans la fourchette des températures autorisées, la température minimale ou maximale autorisée s'affiche. Entrer une température dans la fourchette autorisée. Appuyer sur START (mise en marche). Pour modifier la température, répéter les étapes 2 et 3. Appuyer sur CANCEL UPPER (annulation four supérieur) après avoir terminé.
STEAM BAKE (cuisson au four vapeur)	Cuisson au four vapeur	<ol style="list-style-type: none"> Insérer la grille d'étuvage avec le réservoir d'eau dans le four. Verser 1½ tasse (350 mL) d'eau tiède dans le réservoir d'eau. REMARQUE : Ne pas remplir au-delà de la ligne MAX. Appuyer sur STEAM BAKE (cuisson au four vapeur). Utiliser les touches numériques pour sélectionner le plat souhaité. Utiliser les touches numériques pour régler la température souhaitée. Si la température entrée ne se trouve pas dans la fourchette des températures autorisées, la température minimale ou maximale autorisée s'affiche. Entrer une température dans la fourchette autorisée. Appuyer sur START (mise en marche). Insérer les aliments lorsque le préchauffage est terminé. (Facultatif) Appuyer sur COOK TIME (durée de cuisson). Appuyer sur les touches numériques pour régler la durée de cuisson. Appuyer sur START (mise en marche). Appuyer sur CANCEL UPPER (annulation four supérieur) après avoir terminé. REMARQUE : Laisser le four refroidir avant de retirer et vider le réservoir d'eau.
BROIL (cuisson au gril)	Cuisson au gril	<ol style="list-style-type: none"> Appuyer sur BROIL (cuisson au gril). Utiliser les touches numériques pour régler la température souhaitée. Si la température entrée ne se trouve pas dans la fourchette des températures autorisées, la température minimale ou maximale autorisée s'affiche. Entrer une température dans la fourchette autorisée. Appuyer sur START (mise en marche) et laisser le four préchauffer pendant 2 minutes. Pour modifier la température, répéter les étapes 2 et 3. Placer le plat dans le four et fermer la porte. Appuyer sur CANCEL UPPER (annulation four supérieur) après avoir terminé.
PROOF (levée)	Levée du pain	<ol style="list-style-type: none"> Placer la pâte préparée dans le four. Appuyer sur PROOF (levée du pain). Appuyer sur START (mise en marche). Laisser la pâte lever jusqu'à ce qu'elle ait presque doublé de volume. La durée de levée du pain peut varier en fonction du type de pâte et de la quantité. Appuyer sur CANCEL UPPER (annulation four supérieur) lorsque la levée est terminée. Consulter la section "Levée du pain" pour plus d'informations.
KEEP WARM (maintien au chaud)	Maintien au chaud	<p>Les aliments doivent être à la température de service avant d'être placés dans le four chaud.</p> <ol style="list-style-type: none"> Appuyer sur KEEP WARM (maintien au chaud). Utiliser les touches numériques pour régler la température souhaitée. Si la température entrée ne se trouve pas dans la fourchette des températures autorisées, la température minimale ou maximale autorisée s'affiche. Entrer une température dans la fourchette autorisée. Appuyer sur START (mise en marche). Appuyer sur CANCEL UPPER (annulation four supérieur) après avoir terminé.
EASY CONVECT BAKE (cuisson au four par convection facile)	Cuisson par convection	<ol style="list-style-type: none"> Appuyer sur EASY CONVECT BAKE (cuisson au four par convection facile). Appuyer sur "1" pour que le four convertisse automatiquement la température et la durée pour la cuisson par convection. Appuyer sur "2" pour convertir manuellement la température et la durée. Utiliser les touches numériques pour régler la température souhaitée. Si la température entrée ne se trouve pas dans la fourchette des températures autorisées, la température minimale ou maximale autorisée s'affiche. Entrer une température dans la fourchette autorisée. Appuyer sur START (mise en marche). Pour changer la température, répéter les étapes 3 et 4. Appuyer sur CANCEL UPPER (annulation four supérieur) après avoir terminé.

Touche	Caractéristique	Instructions
EASY CONVECT BROIL (cuisson au gril par convection facile)	Cuisson par convection	<ol style="list-style-type: none"> 1. Appuyer sur EASY CONVECT BROIL (cuisson au gril par convection facile). 2. Appuyer sur "1" pour que le four convertisse automatiquement la température et la durée pour la cuisson par convection. Appuyer sur "2" pour convertir manuellement la température et la durée. 3. Utiliser les touches numériques pour régler la température souhaitée. Si la température entrée ne se trouve pas dans la fourchette des températures autorisées, la température minimale ou maximale autorisée s'affiche. Entrer une température dans la fourchette autorisée. 4. Appuyer sur START (mise en marche). 5. Pour changer la température, répéter les étapes 3 et 4. 6. Appuyer sur CANCEL UPPER (annulation four supérieur) après avoir terminé.
EASY CONVECT ROAST (rôtissage par convection facile)	Cuisson par convection	<ol style="list-style-type: none"> 1. Appuyer sur EASY CONVECT ROAST (rôtissage par convection facile). 2. Appuyer sur "1" pour que le four convertisse automatiquement la température et la durée pour la cuisson par convection. Appuyer sur "2" pour convertir manuellement la température et la durée. 3. Utiliser les touches numériques pour régler la température souhaitée. Si la température entrée ne se trouve pas dans la fourchette des températures autorisées, la température minimale ou maximale autorisée s'affiche. Entrer une température dans la fourchette autorisée. 4. Appuyer sur START (mise en marche). 5. Pour changer la température, répéter les étapes 3 et 4. 6. Appuyer sur CANCEL UPPER (annulation four supérieur) après avoir terminé.
COOK TIME (durée de cuisson)	Cuisson minutée	<p>La cuisson minutée permet d'allumer le four à une certaine heure de la journée, d'effectuer une cuisson pendant une durée déterminée et/ou d'éteindre le four automatiquement.</p> <p>Pour régler une cuisson minutée ou une cuisson minutée différée, voir la section "Durée de cuisson".</p>
DELAY START (mise en marche différée)	Mise en marche différée	<p>La touche Delay Start (mise en marche différée) sert à entrer l'heure de mise en marche pour un four équipé d'une mise en marche différée. La mise en marche différée ne doit pas être utilisée pour les aliments tels que pains et gâteaux, car ils risquent de ne pas bien cuire.</p> <p>Pour régler une cuisson minutée ou une cuisson minutée différée, voir la section "Durée de cuisson".</p>
BAKING DRAWER BAKE (cuisson au tiroir de cuisson) (sur certains modèles)	Tiroir de cuisson	<ol style="list-style-type: none"> 1. Appuyer sur BAKING DRAWER BAKE (cuisson au tiroir de cuisson). 2. Utiliser les touches numériques pour régler la température souhaitée. Si la température entrée ne se trouve pas dans la fourchette des températures autorisées, la température minimale ou maximale autorisée s'affiche. Entrer une température dans la fourchette autorisée. 3. Appuyer sur START (mise en marche). 4. Pour modifier la température, répéter les étapes 2 et 3. 5. Appuyer sur CANCEL LOWER (annulation four inférieur) après avoir terminé.
BAKING DRAWER SLOW COOK (cuisson lente au tiroir de cuisson) (sur certains modèles)	Tiroir de cuisson lente	<ol style="list-style-type: none"> 1. Appuyer sur BAKING DRAWER SLOW COOK (cuisson lente au tiroir de cuisson). 2. Utiliser les touches numériques pour régler la température souhaitée. Si la température entrée ne se trouve pas dans la fourchette des températures autorisées, la température minimale ou maximale autorisée s'affiche. Entrer une température dans la fourchette autorisée. 3. Placer l'aliment/les aliments dans le tiroir de cuisson. 4. Appuyer sur START (mise en marche). 5. (Facultatif) Entrer la durée de cuisson souhaitée à l'aide du clavier numérique. 6. Appuyer sur START (mise en marche) pour commencer le chauffage du tiroir de cuisson. 7. Appuyer sur CANCEL LOWER (annulation four inférieur) après avoir terminé.
BAKING DRAWER KEEP WARM (maintien au chaud au tiroir de cuisson) (sur certains modèles)	Tiroir-réchaud	<p>Les aliments doivent être à la température de service avant d'être placés dans le four chaud.</p> <ol style="list-style-type: none"> 1. Appuyer sur BAKING DRAWER KEEP WARM (maintien au chaud au tiroir de cuisson). 2. Utiliser les touches numériques pour régler la température souhaitée. Si la température entrée ne se trouve pas dans la fourchette des températures autorisées, la température minimale ou maximale autorisée s'affiche. Entrer une température dans la fourchette autorisée. 3. Appuyer sur START (mise en marche). 4. Appuyer sur CANCEL LOWER (annulation four inférieur) après avoir terminé.

Touche	Caractéristique	Instructions
AQUALIFT SELF CLEAN (autonettoyage Aqualift)	Programme de nettoyage	Voir la section "Programme de nettoyage".
START (Hold 3 sec) (mise en marche [appuyer pendant 3 secondes])	Verrouillage des commandes du four	<ol style="list-style-type: none"> 1. Vérifier que le four est OFF (éteint). 2. Appuyer pendant 3 secondes sur la touche START (Hold 3 Sec) (mise en marche [appuyer pendant 3 secondes]). 3. Un signal sonore retentit et l'avertissement "Control Locked" (commandes verrouillées) défile, puis "Locked" (verrouillé) s'affiche. 4. Répéter l'opération pour déverrouiller. Aucune touche ne fonctionne lorsque les commandes sont verrouillées. Les fonctions de la table de cuisson ne sont pas affectées par le verrouillage des commandes du four.
CLOCK/TOOLS (horloge/outils)	Économie d'énergie	<ol style="list-style-type: none"> 1. Appuyer sur CLOCK/TOOLS (horloge/outils) jusqu'à afficher "ENERGY SAVE" (économie d'énergie). 2. Le réglage en cours s'affiche. 3. Appuyer sur la touche "1" pour changer le réglage. 4. Appuyer sur CANCEL (annulation) pour quitter et afficher l'heure. <p>Si le mode d'économie d'énergie est activé, l'affichage passe en mode de veille après 5 minutes d'inactivité. Appuyer sur n'importe quelle touche pour activer l'affichage. Si le mode d'économie d'énergie est désactivé, l'affichage reste constamment allumé.</p>

Commandes électroniques du four

Affichage des commandes

L'affichage clignote à la mise sous tension ou après une coupure de courant. Appuyer sur CANCEL UPPER (annulation du four supérieur) pour effacer. Lorsque le four n'est pas utilisé, l'heure s'affiche. Si la cuisinière est en mode d'économie d'énergie, l'écran est inactif lorsque le four n'est pas utilisé.

Signaux sonores

Les signaux sonores avertissent l'utilisateur de divers événements :

Un seul signal sonore

- Appui sur une touche valide
- Préchauffage du four terminé (signal sonore long)
- Saisie d'une fonction
- Rappel émis chaque minute après le signal sonore de fin de programme

Trois signaux sonores

- Appui sur une touche non valide

Quatre signaux sonores

- Fin de programme

Appuyer sur la touche Clock/Tools (réglages/outils) pour modifier les réglages des Sleep mode (signaux sonores).

Mode d'économie d'énergie

Le mode Energy Save (économie d'énergie) place la cuisinière en mode de veille pour réduire la consommation d'énergie.

Pour activer le mode Energy Save :

1. Appuyer sur CLOCK/TOOLS (horloge/outils) jusqu'à afficher "ENERGY SAVE" (économie d'énergie).
2. Le réglage en cours s'affiche.
3. Appuyer sur la touche "1" pour changer le réglage.
4. Appuyer sur CANCEL (annulation) pour quitter et afficher l'heure.
5. Le réglage sera activé après 5 minutes.

Pour désactiver le mode Energy Save :

1. Appuyer sur CLOCK/TOOLS (horloge/outils) jusqu'à afficher "ENERGY SAVE" (économie d'énergie).
2. Le réglage en cours s'affiche.
3. Appuyer sur la touche "1" pour changer le réglage.
4. Appuyer sur CANCEL (annulation) pour quitter et afficher l'heure.
5. L'horloge réapparaît dans l'affichage; on peut alors faire fonctionner la cuisinière comme d'habitude.

Réglages

De nombreuses fonctions du four peuvent être réglées pour répondre à vos besoins. La touche Clock/Tools (réglages/outils) sert à effectuer ces ajustements.

Appuyer sur la touche Clock/Tools (réglages/outils) pour faire défiler les fonctions modifiables. L'affichage passe au réglage suivant à chaque pression supplémentaire sur Clock/Tools (réglages/outils). Après avoir sélectionné la fonction à modifier, le tableau de commande demande à l'utilisateur d'effectuer la manœuvre nécessaire. Appuyer sur START (mise en marche) ou CANCEL UPPER (annulation du four supérieur) pour quitter et afficher l'heure. Les sections suivantes détaillent toutes les fonctions modifiables.

Appuyer sur CANCEL UPPER (annulation du four supérieur) pour quitter le mode Settings (réglages).

Horloge

Cette horloge est réglable sur 12 ou 24 heures.

1. Appuyer sur CLOCK/TOOLS (horloge/outils) jusqu'à afficher "CLOCK" (horloge).
2. Appuyer sur les touches numériques pour régler l'heure.
3. Appuyer sur START (mise en marche) pour changer l'heure.
4. Appuyer sur "3" pour AM (heure du matin) ou "6" pour PM (heure de l'après-midi).

Fahrenheit et Celsius

Le four est pré-réglé pour un affichage de la température en degrés Fahrenheit, mais on peut le permuter en degrés Celsius.

1. Appuyer sur CLOCK/TOOLS (réglages/outils) jusqu'à afficher "TEMP UNIT" (unité de température).
2. Le réglage en cours s'affiche.
3. Appuyer sur la touche "1" pour changer le réglage.
4. Appuyer sur START (mise en marche) ou CANCEL UPPER (annulation du four supérieur) pour quitter et afficher l'heure.

Désactivation des signaux sonores

Désactive tous les signaux sonores, y compris le signal sonore de fin de programme et les signaux sonores d'appui sur une touche. Les signaux sonores de rappel restent actifs lorsque tous les sons sont désactivés.

1. Appuyer sur CLOCK/TOOLS (réglages/outils) jusqu'à afficher "SOUND" (son).
2. Le réglage en cours s'affiche.
3. Appuyer sur la touche "1" pour changer le réglage.
4. Appuyer sur START (mise en marche) ou CANCEL UPPER (annulation du four supérieur) pour quitter et afficher l'heure.

Volume sonore

Règle le volume du signal sonore à bas ou élevé.

1. Appuyer sur CLOCK/TOOLS (réglages/outils) jusqu'à afficher "SOUND VOLUME" (volume sonore).
2. Le réglage en cours s'affiche.
3. Appuyer sur la touche "1" pour changer le réglage.
4. Appuyer sur START (mise en marche) ou CANCEL UPPER (annulation du four supérieur) pour quitter et afficher l'heure.

Signal sonore de fin de programme

Active ou désactive les signaux sonores émis à la fin d'un programme.

1. Appuyer sur CLOCK/TOOLS (réglages/outils) jusqu'à afficher "END TONE" (signal sonore de fin).
2. Le réglage en cours s'affiche.
3. Appuyer sur la touche "1" pour changer le réglage.
4. Appuyer sur START (mise en marche) ou CANCEL UPPER (annulation du four supérieur) pour quitter et afficher l'heure.

Signaux sonores d'appui sur une touche

Active ou désactive les signaux sonores lorsqu'on appuie sur une touche.

1. Appuyer sur CLOCK/TOOLS (réglages/outils) jusqu'à afficher "KEYPRESS TONE" (signal sonore des touches).
2. Le réglage en cours s'affiche.
3. Appuyer sur la touche "1" pour changer le réglage.
4. Appuyer sur START (mise en marche) ou CANCEL UPPER (annulation du four supérieur) pour quitter et afficher l'heure.

Désactivation des signaux sonores de rappel

Désactive le signal sonore bref qui retentit chaque minute après le signal sonore de fin de programme.

1. Appuyer sur CLOCK/TOOLS (réglages/outils) jusqu'à afficher "REMINDER TONE" (signal sonore de rappel).
2. Le réglage en cours s'affiche.
3. Appuyer sur la touche "1" pour changer le réglage.
4. Appuyer sur START (mise en marche) ou CANCEL UPPER (annulation du four supérieur) pour quitter et afficher l'heure.

Horloge 12/24 heures

1. Appuyer sur CLOCK/TOOLS (réglages/outils) jusqu'à afficher "12/24 HOUR" (horloge sur 12/24 heures).
2. Le réglage en cours s'affiche.
3. Appuyer sur la touche "1" pour changer le réglage.
4. Appuyer sur START (mise en marche) ou CANCEL UPPER (annulation du four supérieur) pour quitter et afficher l'heure.

Mode de démonstration

IMPORTANT : Destinée au personnel commercial en rayon, cette fonction permet, avec un raccordement au secteur 120 V, de présenter les fonctions des commandes sans pour autant activer le four. Si cette fonction est activée, le four ne fonctionnera pas.

1. Appuyer sur CLOCK/TOOLS (réglages/outils) jusqu'à afficher "DEMO MODE" (mode démo).
2. Le réglage en cours s'affiche.
3. Appuyer sur la touche "1" pour changer le réglage.
4. Appuyer sur START (mise en marche) ou CANCEL UPPER (annulation du four supérieur) pour quitter et afficher l'heure.

Mode Sabbat

Le mode Sabbat maintient le réglage de cuisson au four tant que le four n'est pas éteint.

Lorsque le mode Sabbat est réglé, seul le programme de cuisson au four fonctionne. Tous les autres programmes de cuisson et de nettoyage sont désactivés. Aucun signal sonore ne retentit et les affichages n'indiquent pas les changements de température.

Lorsque la porte du four est ouverte ou fermée, la lampe du four ne s'allume ou ne s'éteint pas et les éléments de chauffage ne s'allument ou ne s'éteignent pas immédiatement.

Activation du mode Sabbat (une seule fois) :

1. Appuyer sur CLOCK/TOOLS (réglages/outils) jusqu'à afficher "SABBATH" (sabbat).
2. Le réglage en cours s'affiche.
3. Appuyer sur la touche "1" pour changer le réglage.
4. Appuyer sur START (mise en marche) ou CANCEL UPPER (annulation du four supérieur) pour quitter et afficher l'heure.

Arrêt au bout de 12 heures

Le four est configuré pour s'éteindre automatiquement 12 heures après avoir activé une fonction de cuisson ou de nettoyage. Cette fonction ne perturbe aucune fonction de cuisson minutée ou différée.

1. Appuyer sur CLOCK/TOOLS (réglages/outils) jusqu'à afficher "12Hr AUTO_OFF" (arrêt automatique après 12 heures).
2. Le réglage en cours s'affiche.
3. Appuyer sur la touche "1" pour changer le réglage.
4. Appuyer sur START (mise en marche) ou CANCEL UPPER (annulation du four supérieur) pour quitter et afficher l'heure.

Langue du texte inscrit sur l'affichage

Les options de langue sont l'anglais, l'espagnol et le français.

1. Appuyer sur CLOCK/TOOLS (réglages/outils) jusqu'à afficher "LANGUAGE" (langue).
2. Le réglage en cours s'affiche.
3. Appuyer sur la touche "1" ou "2" pour sélectionner la langue souhaitée.
4. Appuyer sur START (mise en marche) ou CANCEL UPPER (annulation du four supérieur) pour quitter et afficher l'heure.

Commande de décalage de température du four

IMPORTANT : Ne pas utiliser de thermomètre pour mesurer la température du four. Les éléments chauffants s'allument et s'éteignent en alternance pour maintenir une température constante, mais leur température peut varier légèrement dans un sens ou dans l'autre du fait de cette alternance. De nombreux thermomètres réagissent lentement à un changement de température, et ne donneront pas une mesure exacte du fait de cette alternance.

Le four fournit des températures précises; toutefois, il peut cuire plus rapidement ou plus lentement que votre ancien four, c'est pourquoi la température peut être ajustée à vos besoins de cuisson. Elle peut être modifiée en degrés Fahrenheit ou Celsius.

Ajustement de la température du four :

1. Appuyer sur CLOCK/TOOLS (réglages/outils) jusqu'à afficher "TEMP CALIB" (étalonnage température).
2. Sur certains modèles, appuyer sur "1" pour effectuer l'étalonnage de température du tiroir. Appuyer sur START (mise en marche), attendre 10 secondes que l'affichage change, puis passer à l'étape 3.

OU

- Appuyer sur START (mise en marche) pour effectuer le réglage de la température du four. Attendre 10 secondes que l'affichage change, puis passer à l'étape 3.
3. Appuyer sur la touche "3" pour augmenter la température par paliers de 5 °F (3 °C) ou sur la touche "6" pour diminuer la température par paliers de 5 °F (3 °C). L'intervalle d'ajustement se situe entre -30 °F et +30 °F (-18 °C à +18 °C).
 4. Appuyer sur START (mise en marche) ou CANCEL UPPER (annulation du four supérieur) pour quitter et afficher l'heure.

TABLE DE CUISSON

AVERTISSEMENT



Risque d'incendie

La flamme d'un brûleur ne devrait pas dépasser le bord du récipient de cuisson.



Fermer tous les réglages lorsque la cuisson est terminée.

Le non-respect de ces instructions peut causer un décès ou un incendie.

Des allumeurs électriques allument automatiquement les brûleurs de surface lorsque les boutons de commande sont tournés au .

Avant de régler un bouton de commande, placer l'ustensile de cuisson rempli sur la grille. Ne pas faire fonctionner un brûleur avec un ustensile de cuisson vide ou sans ustensile de cuisson sur la grille.

Réglage :

1. Enfoncer et tourner le bouton dans le sens antihoraire au . Tous les brûleurs de surface émettront un déclic. Seul le brûleur dont le bouton de commande est placé sur  produira une flamme.
2. Tourner le bouton à n'importe quel réglage entre H (élevé) et L (bas).

N'OUBLIEZ PAS : Lors de l'utilisation de la cuisinière, toute la surface de la table de cuisson peut devenir chaude.

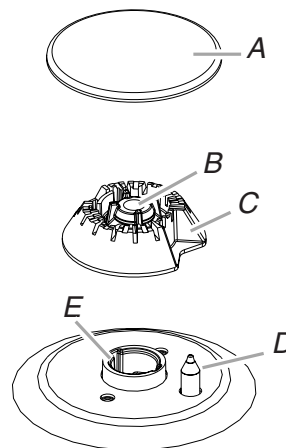
Brûleurs de surface

IMPORTANT : Ne pas entraver l'évacuation de l'air de combustion et de ventilation autour des bords des grilles de brûleur.

Chapeau de brûleur : Toujours garder le chapeau de brûleur en place lorsqu'un brûleur de surface est utilisé. Un chapeau de brûleur propre aide à empêcher le mauvais allumage et les flammes irrégulières. Toujours nettoyer le chapeau du brûleur après un renversement; enlever et nettoyer régulièrement les chapeaux tel qu'indiqué à la section "Nettoyage général".


REMARQUE : Chaque chapeau de brûleur rond est marqué d'une lettre indiquant la taille du brûleur.

Alignement : Veiller à aligner l'ouverture du tube d'arrivée de gaz de la base du brûleur avec le porte-gicleur situé sur la table de cuisson, et à aligner également l'électrode d'allumage avec l'encoche de la base du brûleur.

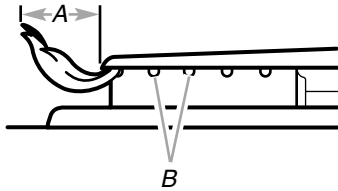


- A. Chapeau de brûleur
B. Ouverture du tube d'arrivée de gaz
C. Base du brûleur
D. Électrode d'allumage
E. Porte-gicleur

Panne de courant

En cas de panne de courant prolongée, les brûleurs de surface peuvent être allumés manuellement. Tenir une allumette allumée près d'un brûleur et tourner le bouton dans le sens antihoraire au . Une fois le brûleur allumé, tourner le bouton au réglage souhaité.

Ouverture du tube d'arrivée de gaz : Pour que la flamme s'allume convenablement, il faut que le gaz puisse passer librement à travers l'orifice. Garder cette zone propre et ne pas laisser les produits renversés, les aliments, les agents de nettoyage ou tout autre produit pénétrer dans l'ouverture du tube d'arrivée de gaz. Toujours utiliser un chapeau de brûleur pour protéger l'ouverture de gaz contre tout renversement.



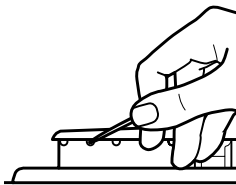
A. 1 à 1 1/2" (2,5 à 3,8 cm)
B. Orifices de brûleur

Orifices de brûleur : Examiner occasionnellement les flammes des brûleurs pour en vérifier la taille et la forme tel qu'indiqué ci-dessus. Une bonne flamme est bleue plutôt que jaune. Garder cette zone exempte de saletés et ne pas laisser les produits renversés, les aliments, les agents de nettoyage ou autre produit pénétrer dans les orifices de brûleur.

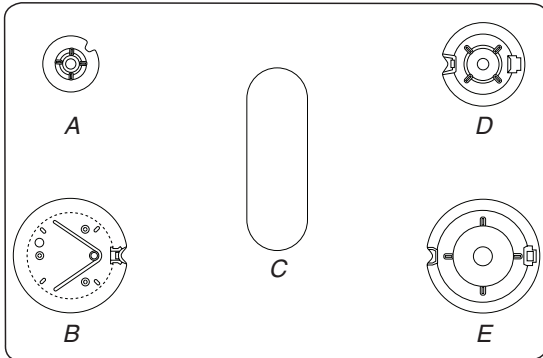
Nettoyage :

IMPORTANT : Avant le nettoyage, s'assurer que toutes les commandes sont désactivées et que la table de cuisson a refroidi. Ne pas utiliser de nettoyants à four, d'agents de blanchiment ou de décapants à rouille. Ne pas laver au lave-vaisselle.

1. Enlever le chapeau et la base du brûleur et nettoyer tel qu'indiqué à la section "Nettoyage général".
2. Nettoyer l'ouverture du tube d'arrivée de gaz avec un chiffon humide.
3. Nettoyer les orifices de brûleur obstrués avec une épingle droite tel qu'indiqué. Ne pas agrandir ni déformer l'orifice. Ne pas utiliser un cure-dents en bois. Si le brûleur a besoin d'être ajusté, contacter un technicien de réparation qualifié.



Réinstaller la base du brûleur. Chaque base de brûleur rond est marquée d'une lettre indiquant la taille du brûleur. Voir les illustrations suivantes pour connaître la position des brûleurs.



A. Petit (Auxiliaire) C. Ovale (OV) D. Moyen (Semi-rapide)
B. Très grand (Double) E. Grand (Ultra rapide)

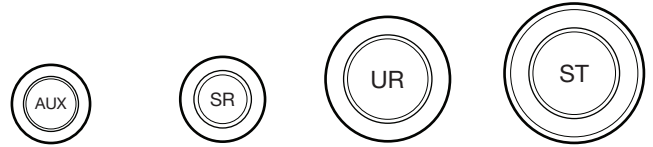
4. Réinstaller le chapeau du brûleur et s'assurer qu'il est bien aligné avec la base du brûleur. Lorsque le chapeau de brûleur est correctement aligné, il ne se balance pas et n'oscille pas.



A. Incorrect
B. Correct

IMPORTANT : Les dessous des chapeaux petit et moyen sont différents. Ne pas placer un chapeau de la taille incorrecte sur la base du brûleur.

REMARQUE : Chacun des chapeaux de brûleur rond est marquée d'une lettre indiquant la taille du brûleur.



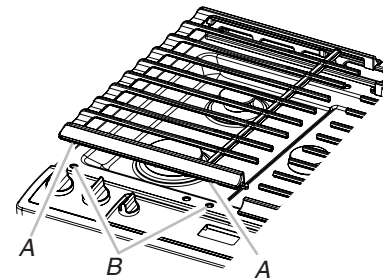
Petit chapeau (Auxiliaire) Chapeau moyen (Semi-rapide) Grand chapeau (Ultra rapide) Très grand chapeau (Double)

5. Allumer le brûleur. Si le brûleur ne s'allume pas, vérifier l'alignement du chapeau. Si le brûleur ne s'allume toujours pas, éteindre le brûleur. Ne pas réparer le brûleur soi-même. Contacter un technicien de réparation qualifié.

Grilles de surface

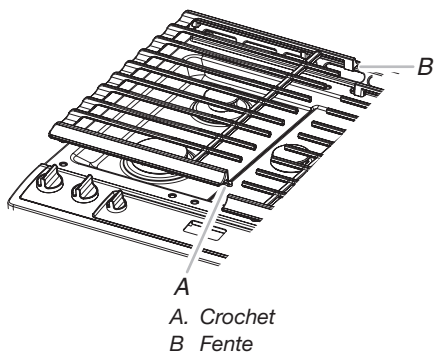
Les grilles doivent être correctement positionnées avant la cuisson. Les grilles doivent être en affleurement et de niveau pour être en bonne position. Une mauvaise installation des grilles peut entraîner l'écaillage ou l'érafflement de la table de cuisson.

Afin de les positionner correctement, aligner les butoirs au-dessous de la grille avec les indentations sur la table de cuisson.



A. Butoirs
B. Indentations d'alignement

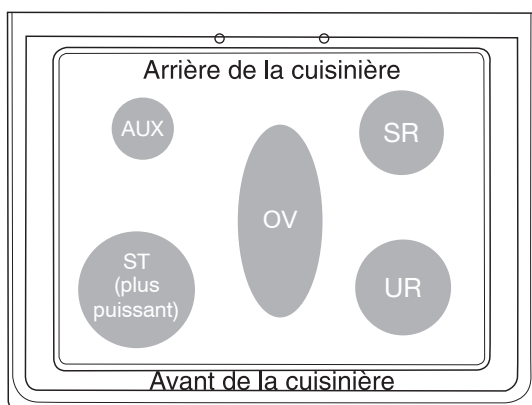
Les grilles s'imbriquent à l'aide du crochet situé à une extrémité de l'une d'entre elles et de la fente qui se trouve sur l'autre. Pour retirer les grilles, soulever l'arrière de la grille de gauche pour la dégager du crochet, soulever ensuite l'avant de la grille de droite pour la dégager du crochet, et séparer les grilles. Pour remettre les grilles en place, remettre la grille de gauche en place en premier. Placer la fente avant de la grille de droite par-dessus le crochet de la grille de gauche, soulever ensuite l'arrière de la grille de gauche et placer la fente par-dessus le crochet de la grille de droite.



Bien que les grilles de brûleurs soient durables, elles perdront progressivement de leur lustre et (ou) se décoloreront en raison des fortes températures produites par les flammes.

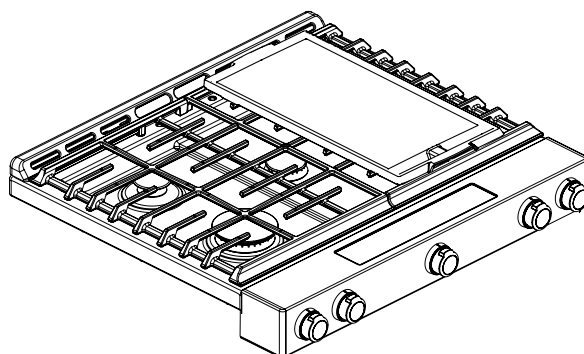
Taille du brûleur

Sélectionner un brûleur qui convient le plus aux ustensiles de cuisson utilisés. Voir le tableau et l'illustration suivants.



Taille du brûleur	Utilisation recommandée
Auxiliaire	<ul style="list-style-type: none"> ■ Cuisson à basse température ■ Faire fondre le chocolat ou le beurre
Semi-rapide	■ Brûleur multifonction
Ultra rapide	■ Pour les ustensiles de cuisson de grande taille
Double (plus puissant)	<ul style="list-style-type: none"> ■ Pour les ustensiles de cuisson de grande taille ■ Le brûleur le plus puissant
Ovale	■ Pour les plats plus longs

Plaque à frire



Plaque à frire installée sur le côté droit de la table de cuisson

Utilisation de la plaque à frire :

1. Localiser la plaque à frire sur le côté droit de la table de cuisson tel qu'indiqué. Les pieds de positionnement sur le dessous de la plaque à frire s'engagent dans les tiges de la grille pour empêcher la plaque à frire de glisser.
2. Avant chaque utilisation, passer une fine couche d'huile de cuisson afin d'empêcher les aliments de coller. Les aérosols de cuisson peuvent laisser un résidu collant sur la plaque à frire, qui sera difficile à enlever.
3. Préchauffer la plaque à frire pendant 5 minutes. Un préchauffage lent assure une distribution homogène de la chaleur et évite de déformer la plaque à frire.
4. Pour un préchauffage et une cuisson parfaits, placer le brûleur avant au réglage de chaleur le plus faible et le brûleur arrière au niveau de chaleur moyen-élevé.

REMARQUE : La plaque à frire peut également être utilisée sur la grille de gauche. Pour une performance optimale, placer le brûleur arrière au niveau de chaleur moyen-élevé ou moyen, et le brûleur avant au réglage de chaleur le plus faible.

Nettoyage de la plaque à frire :

1. Laisser la plaque à frire refroidir, puis vider le plateau ramasse-gouttes.
2. Voir la section "Nettoyage général" pour les instructions de nettoyage.
3. Conserver la plaque à frire dans un lieu sec et frais.

Ustensiles de cuisson

IMPORTANT : Ne pas laisser d'ustensile de cuisson vide sur une surface de cuisson, un élément ou un brûleur de surface chauds.

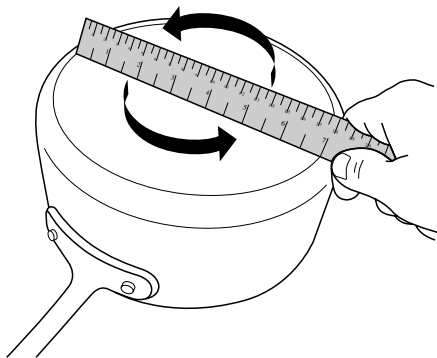
Les ustensiles de cuisson idéals doivent avoir un fond plat, des parois droites, un couvercle qui ferme hermétiquement et le matériau doit être d'épaisseur moyenne à forte.

Les finis rugueux peuvent égratigner la table de cuisson. L'aluminium et le cuivre peuvent être utilisés comme fond ou base d'un ustensile de cuisson. Toutefois, lorsqu'ils sont utilisés comme base, ils peuvent laisser des marques permanentes sur les surfaces.

Le matériau d'un ustensile a une influence sur la rapidité et l'uniformité de la transmission de la chaleur, lesquelles contribuent aux résultats de cuisson. Un fini antiadhésif a les mêmes caractéristiques que son matériau de base. Par exemple, un ustensile de cuisson en aluminium avec un fini antiadhésif aura les propriétés de l'aluminium.

Les ustensiles de cuisson avec surface antiadhésive ne doivent pas être utilisés sous le gril.

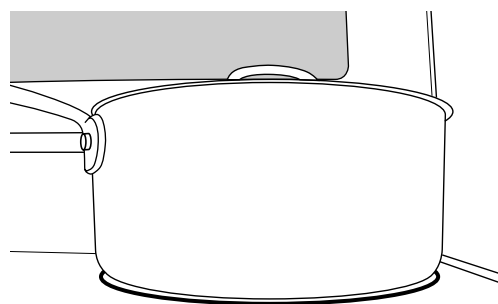
Vérifier que le récipient est plat en plaçant le bord plat d'une règle en travers du fond du récipient. Lorsque l'on fait tourner la règle, aucun espace ni aucune lumière ne devraient être visibles entre celle-ci et le récipient.



Utiliser le tableau suivant comme guide pour les caractéristiques du matériau d'ustensile de cuisson.

Ustensile	Caractéristiques
Aluminium	<ul style="list-style-type: none"> ■ Chauffe rapidement et uniformément. ■ Convient à tous les genres de cuisson. ■ L'épaisseur moyenne ou forte convient le mieux pour la plupart des tâches de cuisson. ■ Peut laisser des résidus d'aluminium. Pour en réduire la quantité, les nettoyer immédiatement après la cuisson.
Fonte	<ul style="list-style-type: none"> ■ Chauffe lentement et uniformément. ■ Convient pour le brunissage et la friture. ■ Maintient la chaleur pour une cuisson lente. ■ Des rebords anguleux ou mal poncés peuvent érafler la table de cuisson.
Céramique ou vitrocéramique	<ul style="list-style-type: none"> ■ Suivre les instructions du fabricant. ■ Chauffe lentement, mais inégalement. ■ Les meilleurs résultats sont obtenus sur les réglages de chaleur basse à moyenne. ■ Peut érafler la table de cuisson.
Cuivre	<ul style="list-style-type: none"> ■ Chauffe très rapidement et uniformément. ■ Peut laisser des résidus de cuivre. Pour en réduire la quantité, les nettoyer immédiatement après la cuisson. ■ Peut laisser une tache indélébile ou adhérer à la table de cuisson en cas de surchauffe du matériau.
Terre cuite	<ul style="list-style-type: none"> ■ Suivre les instructions du fabricant. ■ Utiliser des réglages de température basse. ■ Peut érafler la table de cuisson.
Acier émaillé en porcelaine ou fonte émaillée	<ul style="list-style-type: none"> ■ Voir acier inoxydable ou fonte. ■ Les ustensiles de cuisson au four en émail vitrifié dépourvus d'une base métallique peuvent adhérer à la table de cuisson en cas de surchauffe du matériau.
Acier inoxydable	<ul style="list-style-type: none"> ■ Chauffe rapidement, mais inégalement. ■ Un fond ou une base d'aluminium ou de cuivre sur l'acier inoxydable procure un chauffage uniforme.

Utiliser des ustensiles de cuisson à fond plat pour obtenir de meilleurs résultats de cuisson et une meilleure utilisation de l'énergie. Les ustensiles de cuisson doivent avoir la même taille que la zone de cuisson indiquée sur la table de cuisson. L'ustensile de cuisson ne doit pas dépasser de plus de 1/2" (1,3 cm) hors de la zone de cuisson.



Mise en conserve à la maison

Lors de la préparation de conserves pendant de longues périodes, alterner l'utilisation des brûleurs de surface de cuisson entre chaque quantité préparée. Ceci permet aux dernières surfaces utilisées de refroidir.

- Centrer l'autoclave sur la grille au-dessus du brûleur.
- Ne pas placer l'autoclave sur 2 brûleurs de surface en même temps.
- Pour plus de renseignements, contacter votre bureau de développement agricole local, ou consulter les guides de mise en conserve domestique. Les compagnies qui fabriquent des produits pour la préparation de conserves peuvent aussi offrir de l'aide.

FOUR

Des odeurs et de la fumée sont normales lorsque le four est utilisé les premières fois, ou lorsqu'il est très sale.

IMPORTANT : La santé de certains oiseaux est très sensible aux émanations de fumée. L'exposition aux émanations peut entraîner la mort de certains oiseaux. Toujours déplacer les oiseaux dans une autre pièce fermée et bien aérée.

Papier d'aluminium

IMPORTANT : Pour éviter des dommages permanents au fini du fond du four, ne pas recouvrir le fond du four avec du papier d'aluminium ou un revêtement quelconque.

Pour assurer une bonne circulation de l'air et des résultats de cuisson optimaux, ne pas recouvrir la grille entière de papier d'aluminium.

Positionnement des grilles et des ustensiles de cuisson au four

IMPORTANT : Afin d'éviter d'endommager irrémédiablement la finition en émail, ne pas placer d'aliments ou d'ustensiles de cuisson au four directement sur la porte ou sur le fond du four.

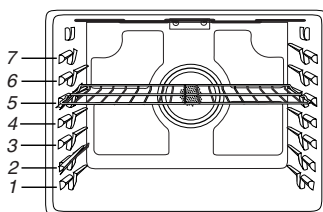
Ustensiles de cuisson

L'air chaud doit pouvoir circuler autour de l'aliment pour le cuire uniformément. Laisser 2" (5 cm) entre les ustensiles de cuisson et les parois du four. S'assurer qu'aucun ustensile de cuisson ne se trouve directement au-dessus d'un autre.

Grilles

- Placer les grilles avant d'allumer le four.
- Ne pas déplacer les grilles lorsque des ustensiles de cuisson se trouvent dessus.
- S'assurer que les grilles sont horizontales.

Pour déplacer une grille, la tirer jusqu'à la butée, soulever l'avant puis la retirer. Se servir de l'illustration et du tableau suivants comme guide.

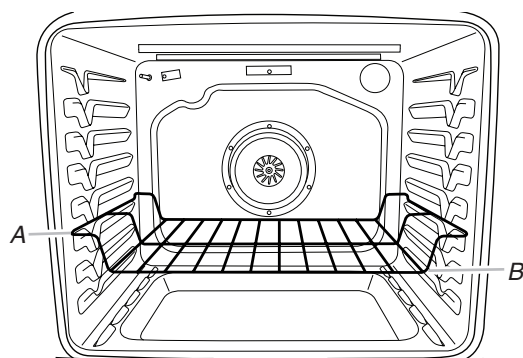


Le four possède 7 positions pour grille plate, comme indiqué dans l'illustration précédente et le tableau suivant.

Position de la grille plate*	Type d'aliment
7	Cuire au grill/griller les viandes, les hamburgers, les steaks
6	Viandes grillées, volaille, poisson
3 ou 4	La plupart des produits de boulangerie, plats en sauce, plats surgelés
2	Viandes rôties
1	Gros rôtis/volailles

Pour qu'une galette à hamburger soit bien saisie à l'extérieur tout en restant saignante à l'intérieur, utiliser une grille plate en position 7. Cuire le 1^{er} côté pendant 2 1/2 à 3 1/2 minutes. Cuire le 2^e côté pendant 4 à 5 minutes. Une légère fumée peut se dégager durant la cuisson au grill.

* Si votre modèle possède une grille de four à capacité maximale, les bords surélevés doivent être placés dans la position immédiatement supérieure à la position souhaitée pour les aliments. Voir l'illustration ci-dessous.



A. Bordures de grille en position 3
B. Aliments en position 2

IMPORTANT : Ces positions de grille concernent les grilles plates. En cas d'utilisation d'une grille de four à capacité maximale, la position de la grille doit être ajustée en conséquence comme dans l'illustration précédente.

Cuisson sur plusieurs grilles

Cuisson sur 2 grilles (sans convection) : Utiliser les positions de grille 2 et 5 ou 3 et 6.

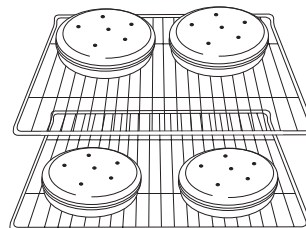
Cuisson sur 2 grilles (avec convection) : Utiliser les positions de grille 2 et 5 ou 3 et 6.

Cuisson sur 3 grilles (avec convection) : Utiliser les positions 2 et 7 et une grille de four à capacité maximale en position 5.

Cuisson au four de biscuits et de gâteaux à étages sur 2 grilles

Cuisson au four de gâteaux à étages

Pour une cuisson optimale de gâteaux sur 2 grilles, utiliser la fonction Convection Bake (cuisson au four par convection), une grille plate en position 2 et une grille de four à capacité maximale en position 6. Si seule une grille de four à capacité maximale, utiliser une grille plate en position 5. Placer les gâteaux sur les grilles comme illustré. Prévoir un espace d'au moins 3" (7,6 cm) entre le bord avant des grilles et les gâteaux placés à l'avant.



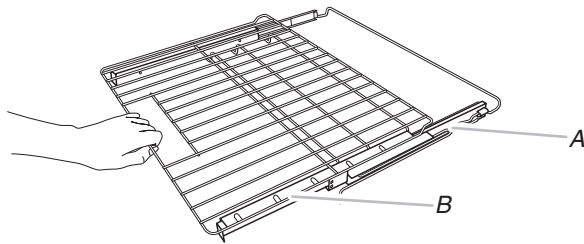
Cuisson au four de biscuits

Pour une cuisson optimale de biscuits sur 2 grilles, utiliser la fonction Convection Bake (cuisson au four par convection), une grille plate en position 2 et une grille de four à capacité maximale en position 6. Si seule une grille de four à capacité maximale, utiliser une grille plate en position 5.

Grille déployante

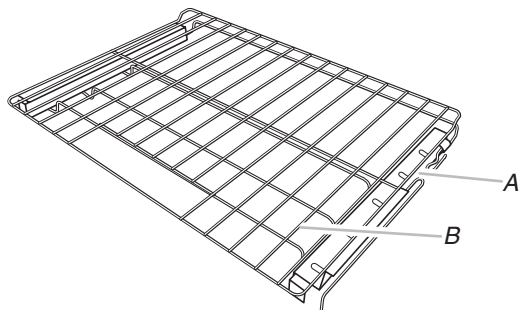
Cette grille déployante offre un accès facile à l'utilisateur pour le positionnement et le retrait des aliments. Il n'est pas conseillé d'utiliser la grille déployante à la position supérieure (position 7) ou à la position inférieure (position 1).

Position déployée



A. Pourtour de grille
B. Grille coulissante

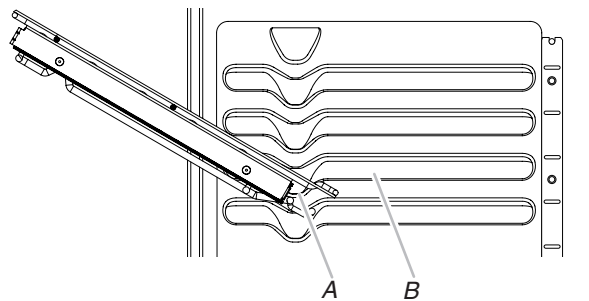
Position rétractée et emboîtée



A. Pourtour de grille
B. Grille coulissante

Insertion de la grille déployante

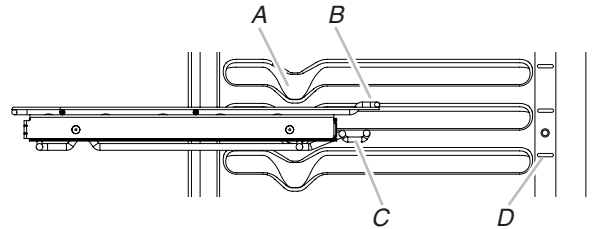
1. Incliner l'avant de la grille vers le haut et insérer le pourtour de la grille dans l'encoche en "V" des glissières de grille à l'intérieur de la cavité du four.



A. Ouverture en "V"
B. Glissières de grille

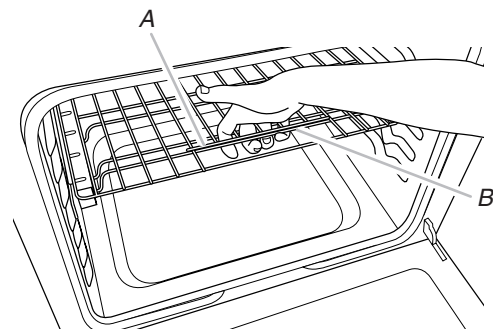
2. Garder la grille inclinée vers le haut et l'enfoncer au-delà de l'encoche inférieure en "V".

3. Abaisser l'avant de la grille et l'introduire avec précaution dans le four en la faisant glisser au-delà des encoches en "V". Enfoncer la grille à l'intérieur du four jusqu'à ce qu'elle bute sur l'échelle dans le fond du four.



A. Ouverture en "V"
B. Glissières de grille
C. Crochet de l'échelle
D. Échelle

4. Passer la main sur la grille pour agripper la grille coulissante et la barre transversale avant. Soulever l'avant de la grille et pousser la grille à l'arrière du four. Abaisser l'avant de la grille pour que le crochet de l'échelle s'engage dans l'échelle de chaque côté du four.



A. Grille coulissante
B. Grille transversale avant

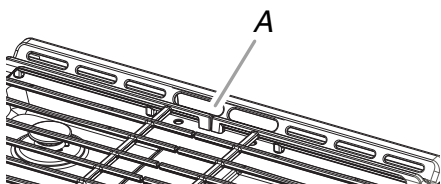
Dépose de la grille déployante

1. Enfoncer complètement la grille coulissante jusqu'à ce qu'elle soit rétractée et emboîtée.
2. Passer la main sur la grille pour agripper la grille coulissante et la barre transversale avant. Soulever l'avant de la grille pour dégager le crochet de l'échelle au fond du four, et tirer la grille vers l'avant.
3. Avec les deux mains, retirer simultanément la grille coulissante et son pourtour avec précaution pour les extraire de l'encoche en "V". Incliner la grille de façon à ce que l'avant soit plus haut que l'arrière et la retirer avec précaution pour l'extraire de l'encoche en "V", puis du four.

Pour éviter d'endommager la grille coulissante, ne pas placer plus de 25 lb (11,4 kg) sur la grille.

Ne pas nettoyer la grille déployante au lave-vaisselle. Ceci pourrait enlever le lubrifiant de la grille et affecter la capacité de celle-ci à glisser.

Voir la section "Nettoyage général" pour plus de renseignements.



A. Évent du four

L'évent du four permet l'évacuation de l'air chaud et de l'humidité du four et ne doit pas être obstrué ou couvert. Le fait d'obstruer ou de couvrir l'évent nuit à la circulation adéquate de l'air et affecte les résultats de cuisson et de nettoyage. Ne pas placer près de l'évent du four des produits en plastique, en papier ou d'autres articles qui pourraient fondre ou brûler.

Mode Sabbat

Le mode Sabbat maintient le réglage de cuisson au four tant que le four n'est pas éteint.

Lorsque le mode Sabbat est réglé, seul le programme de cuisson au four fonctionne. Tous les autres programmes de cuisson et de nettoyage sont désactivés. Aucun signal sonore ne retentit et les affichages n'indiquent pas les changements de température.

Lorsque la porte du four est ouverte ou fermée, la lampe du four ne s'allume ou ne s'éteint pas et les éléments de chauffage ne s'allument ou ne s'éteignent pas immédiatement.

Activation du mode Sabbat (une seule fois) :

1. Appuyer sur CLOCK/TOOLS (horloge/outils) jusqu'à afficher "SABBATH" (sabbat). "OFF. Press (1) for On" (Inactif. Appuyer sur (1) pour activer) défile sur l'affichage.
2. Appuyer sur la touche "1". "ON. Press (1) for Off" (actif. Appuyer sur (1) pour désactiver) défile sur l'affichage. Le mode Sabbat peut être utilisé pour la cuisson au four.
3. Appuyer sur START (mise en marche) ou CANCEL UPPER (annulation du four supérieur) pour quitter et afficher l'heure.

REMARQUE : Pour désactiver le mode Sabbat, répéter les étapes 1 à 3 pour changer l'état de "SABBATH ON" (mode Sabbat actif) à "SABBATH OFF" (mode Sabbat inactif).

Activation du mode Sabbat :

1. Appuyer sur BAKE (cuisson au four) pour le four désiré.
2. Utiliser les touches numériques pour régler la température souhaitée. Si la température entrée ne se trouve pas dans la fourchette des températures autorisées, la température minimale ou maximale autorisée s'affiche. Entrer une température dans la fourchette autorisée.
3. Appuyer sur START (mise en marche).
Pour une cuisson minutée au mode Sabbat, appuyer sur COOK TIME (durée de cuisson), puis sur les touches numériques pour régler la durée de cuisson désirée.
4. Appuyer sur CLOCK/TOOLS (horloge/outils). Trois signaux sonores retentissent. Appuyer ensuite sur "7". "Sab" apparaît sur l'affichage.

Réglage de la température (lorsque le mode Sabbat fonctionne) :

1. Appuyer sur les touches numériques comme indiqué par le texte déroulant afin de sélectionner la nouvelle température.
REMARQUE : Le changement de température n'apparaît pas sur l'affichage. Le texte déroulant s'affiche tel qu'il était avant que l'on n'appuie sur la touche.
2. Appuyer sur START (mise en marche).

Désactivation du mode Sabbat :

Appuyer sur CLOCK/TOOLS (horloge/outils), puis sur "7" pour revenir à la cuisson au four traditionnelle ou sur CANCEL (annulation) pour le four désiré pour éteindre la cuisinière.

REMARQUE : Aucun signal sonore ne retentira lors de la désactivation du mode Sabbat.

Préchauffage

Au début d'un programme de cuisson au four ou de cuisson au four avec convection, le four commence par un préchauffage une fois la touche Start (mise en marche) enfoncée. Le four atteint 350 °F (177 °C) en 12 à 15 minutes environ lorsque toutes les grilles fournies avec le four sont à l'intérieur. Pour atteindre une température plus élevée, le préchauffage est plus long. Le programme de préchauffage augmente rapidement la température du four. La température réelle du four dépasse alors la température programmée, pour compenser la chaleur perdue à l'ouverture du four pour y introduire le plat à cuire. Ainsi, le four entame la cuisson à la température correcte après y avoir placé le plat. Placer les aliments au four lorsque le signal sonore de préchauffage retentit. Ne pas ouvrir la porte du four pendant le préchauffage tant que le signal sonore n'a pas retenti.

Température du four

En cours d'utilisation, les éléments chauffants du four s'allument et s'éteignent en alternance pour maintenir une température constante, mais leur température peut varier légèrement dans un sens ou dans l'autre du fait de cette alternance. L'ouverture de la porte du four en cours d'utilisation laisse échapper l'air chaud et refroidit le four, ce qui peut modifier la durée nécessaire et le résultat de la cuisson. Pour suivre l'avancement de la cuisson, il est conseillé d'utiliser l'éclairage du four.

REMARQUE : Sur les modèles équipés d'une fonction de convection, le ventilateur de convection peut tourner dans le mode de cuisson sans convection pour améliorer la performance du four.

Système de gestion de la température

Le système de gestion de la température régule électroniquement la température du four durant le préchauffage et la cuisson au four afin de maintenir un intervalle précis de températures et optimiser la cuisson. Les éléments de cuisson au four et au grill ou brûleurs s'allument et s'éteignent par intermittence. Pour les cuisinières à convection, le ventilateur fonctionne pendant le préchauffage et peut s'allumer et s'éteindre par intermittence pendant de courts intervalles durant le mode Bake (cuisson au four) afin de produire un meilleur résultat. Cette fonction est automatique lorsque le four est utilisé.

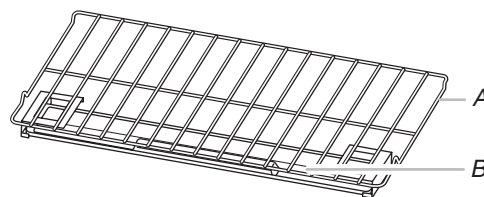
Avant la cuisson au four et le rôtissage, placer les grilles comme indiqué à la section "Positionnement des grilles et des ustensiles de cuisson". Lors du rôtissage, il n'est pas nécessaire d'attendre la fin du préchauffage du four avant d'y placer la nourriture, sauf si la recette le recommande.

Cuisson au four vapeur

La fonction de cuisson au four vapeur s'utilise avec la grille d'étuvage pour apporter davantage d'humidité durant la cuisson au four. La grille d'étuvage est équipée d'un réservoir d'eau qui chauffe et libère de la vapeur dans la cavité durant le programme de cuisson au four vapeur. Trois options préprogrammées de plats sont disponibles ; pains, desserts et poissons, ainsi qu'une option rafraîchir/réchauffer.

Pour de meilleures performances, placer la grille d'étuvage à la position de grille la plus basse de la cavité et verser 1 1/2 tasse (350 mL) d'eau dans le réservoir. Ne pas remplir au-delà du niveau MAX indiqué dans le réservoir.

Une fois le programme de cuisson au four vapeur terminé, il est possible qu'il reste de l'eau dans le réservoir. Ceci est normal. Attendre que le four ait refroidi et jeter l'eau.



A. Grille d'étuvage
B. Réservoir d'eau

Cuisson au grill

Pour la cuisson au grill, préchauffer le four pendant 2 minutes avant d'y placer des aliments, à moins que la recette ne recommande autre chose. Placer l'aliment sur la grille de la lèchefrite, puis placer celle-ci au centre de la grille du four.

IMPORTANT : Fermer la porte pour une température de cuisson au grill adéquate.

Le changement de température lors de la cuisson au grill permet un contrôle plus précis de la cuisson. Plus le réglage du grill est bas, plus la cuisson est lente. Les morceaux épais et de forme irrégulière de viande, de poisson et de volaille cuisent mieux à des réglages de grill plus bas. Utiliser les grilles 6 ou 7 pour la cuisson au grill. Consulter la section "Positionnement des grilles et ustensiles de cuisson" pour plus d'informations.

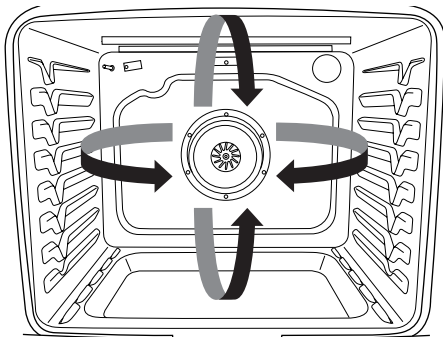
À des réglages inférieurs, l'élément de cuisson au grill s'allume et s'éteint par intermittence afin de maintenir une température adéquate.

- Pour de meilleurs résultats, utiliser une lèchefrite et une grille - elles sont conçues pour laisser s'écouler les jus et aider à éviter les éclaboussures et la fumée.

Il est possible de commander une lèchefrite. Voir la section "Accessoires".

Cuisson par convection

Dans un four à convection, l'air chaud que fait circuler le ventilateur répartit plus uniformément la chaleur que le mouvement naturel de l'air dans un four thermique standard. Ce déplacement d'air chaud contribue à maintenir une température constante dans tout le four, qui permet de cuire les aliments plus uniformément, de dorer leur surface tout en conservant leur humidité naturelle et de donner des pains plus croustillants.



Durant la cuisson ou le rôtissage par convection, les éléments de cuisson au four, cuisson au grill et de convection s'allument et s'éteignent par intermittence tandis que le ventilateur fait circuler l'air chaud. Durant la cuisson au grill par convection, les éléments de cuisson au grill et de convection s'allument et s'éteignent par intermittence. Le ventilateur de convection ne fonctionne pas durant les 5 premières minutes du programme.

Si la porte du four est ouverte durant la cuisson par convection, le ventilateur s'éteint immédiatement. Il s'allume à nouveau lorsque la porte du four est fermée.

La cuisson par convection permet de cuire la majorité des aliments à une température plus basse et/ou moins longtemps qu'avec un four thermique standard. Selon le mode de cuisson sélectionné, la conversion EasyConvect™ peut réduire automatiquement la température et/ou la durée de cuisson des recettes standard pour la cuisson par convection. Si on choisit de ne pas utiliser la conversion EasyConvect™, utiliser le tableau suivant comme guide.

Mode de convection	Recommandation de durée/temp.
Cuisson au four par convection	Température plus basse de 25 °F (15 °C), réduction éventuelle du temps de cuisson
Rôtissage par convection	Temps de cuisson réduit jusqu'à 30%
Cuisson au grill par convection	Raccourcissement du temps de cuisson

Options de cuisson par convection

Cuisson au four par convection : cuisson au four sur plusieurs grilles de biscuits, pains, plats en sauce, tartes, tourtes et gâteaux

Rôtissage par convection : poulets ou dindes entiers, légumes, rôtis de porc, rôtis de boeuf

Cuisson au grill par convection : morceaux plus épais ou inégaux de viande, de poisson ou de volaille

Levée du pain

La levée du pain prépare la pâte pour la cuisson en activant la levure. Suivre les instructions de la recette comme guide. La levée doit être utilisée pour les pâtes fraîches, les pâtes surgelées et pour la première et la deuxième levée.

Pour faire lever la pâte :

Avant la première levée de pain, placer la pâte dans un saladier légèrement graissé et couvrir sans serrer avec du papier ciré recouvert de shortening. Placer sur la glissière de grille 2 et fermer la porte du four.

REMARQUE : Si la température du four est supérieure à 120 °F (49 °C), "Oven Cooling" (refroidissement four) s'affiche jusqu'à ce que la température soit inférieure à 120 °F (49 °C).

1. Appuyer sur PROOF (levée du pain).
2. Appuyer sur START (mise en marche).

Laisser la pâte lever jusqu'à ce qu'elle ait presque doublé de volume. La durée de levée du pain peut varier en fonction du type de pâte et de la quantité.

3. Appuyer sur CANCEL UPPER (annulation du four supérieur) lorsque la levée est terminée.

Avant la seconde levée, mettre la pâte en forme, la placer sur la ou les plaques de cuisson et couvrir partiellement. Reprendre le même positionnement et vérifier que les étapes ci-dessus ont bien été suivies. Avant la cuisson au four, retirer la pellicule protectrice.

REMARQUE : Si la température du four est supérieure à 120 °F (49 °C), l'affichage indique "Oven Cooling" (refroidissement four) jusqu'à ce que la température soit inférieure à 120 °F (49 °C).

⚠ AVERTISSEMENT

Risque d'empoisonnement alimentaire

Ne pas laisser des aliments dans un four plus d'une heure avant ou après la cuisson.

Le non-respect de cette instruction peut causer un empoisonnement alimentaire ou une maladie.

Réglage d'une cuisson minutée :

1. Appuyer sur BAKE (cuisson au four) ou BROIL (cuisson au gril) ou appuyer sur une fonction Easy Convect (convection facile).
2. Utiliser les touches numériques pour régler la température souhaitée. Si la température entrée ne se trouve pas dans la fourchette des températures autorisées, la température minimale ou maximale autorisée s'affiche. Entrer une température dans la fourchette autorisée.
3. Appuyer sur COOK TIME (durée de cuisson). Le témoin lumineux de la durée de cuisson du four s'allume.
4. Appuyer sur les touches numériques pour entrer la durée de cuisson.
5. Appuyer sur START (mise en marche). L'afficheur présente le compte à rebours de la durée. Lorsque la durée est écoulée, le four s'éteint automatiquement.
6. Appuyer sur CANCEL (annulation) pour le four désiré pour effacer l'afficheur.

Réglage d'une cuisson minutée différée :

1. Appuyer sur BAKE (cuisson au four) ou BROIL (cuisson au gril) ou appuyer sur une fonction Easy Convect (convection facile).
2. Utiliser les touches numériques pour régler la température souhaitée. Si la température entrée ne se trouve pas dans la fourchette des températures autorisées, la température minimale ou maximale autorisée s'affiche. Entrer une température dans la fourchette autorisée.
3. Appuyer sur COOK TIME (durée de cuisson). Le témoin lumineux de la durée de cuisson du four s'allume.
4. Appuyer sur les touches numériques pour entrer la durée de cuisson.
5. Appuyer sur DELAY START (mise en marche différée).
6. Appuyer sur les touches numériques pour entrer le nombre d'heures et/ou de minutes dont on souhaite différer l'heure de mise en marche.
7. Appuyer sur START (mise en marche).

Lorsque l'heure de mise en marche est atteinte, le four s'allume automatiquement.

Les réglages de température et/ou de durée peuvent être modifiés à tout moment après avoir mis en marche le four en répétant les étapes 2 à 4. Lorsque la durée de cuisson réglée est écoulée, le four s'éteint automatiquement.

8. Appuyer sur CANCEL (annulation) pour le four désiré pour effacer l'afficheur.

⚠ AVERTISSEMENT

Risque d'empoisonnement alimentaire

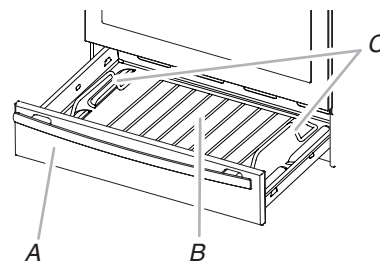
Ne pas laisser des aliments dans un four plus d'une heure avant ou après la cuisson.

Le non-respect de cette instruction peut causer un empoisonnement alimentaire ou une maladie.

L'usage du tiroir de cuisson est hautement recommandé pour cuire les aliments surgelés au four. Régler la température et la durée de cuisson moyenne indiquées sur l'emballage de l'aliment surgelé. Par exemple, si l'emballage recommande une durée de cuisson de 15 à 20 minutes, régler la durée de cuisson sur 17 minutes. Contrôler le degré de cuisson des aliments avant de les retirer du tiroir de cuisson.

Le tiroir de cuisson peut également être utilisé pour la cuisson au four conventionnelle, la cuisson lente et pour maintenir au chaud les aliments cuits. Il n'est pas recommandé de préparer dans le tiroir de cuisson des aliments dont la hauteur dépasse les poignées de la grille du tiroir de cuisson, ou encore des aliments susceptibles de lever à une hauteur supérieure à 2 1/2" (6,4 cm).

IMPORTANT : Toujours utiliser la grille du tiroir de cuisson lorsque l'on se sert du tiroir de cuisson.



- A. Tiroir de cuisson
- B. Grille du tiroir de cuisson
- C. Poignées de la grille du tiroir de cuisson

Voir la section "Nettoyage général" pour plus de renseignements.

Cuisson avec le tiroir de cuisson :

1. Appuyer sur BAKING DRAWER BAKE (cuisson au tiroir de cuisson).
2. Utiliser les touches numériques pour régler la température souhaitée. Si la température entrée ne se trouve pas dans la fourchette des températures autorisées, la température minimale ou maximale autorisée s'affiche. Entrer une température dans la fourchette autorisée.
3. Appuyer sur START (mise en marche).
4. Pour modifier la température, répéter les étapes 2 et 3.
5. Appuyer sur CANCEL LOWER (annulation four inférieur) après avoir terminé.
6. Retirer les aliments du tiroir.

Cuisson lente avec le tiroir de cuisson :

IMPORTANT : Faire brunir complètement les rôtis avant de commencer le mijotage.

1. Placer les aliments dans le tiroir de cuisson.
2. Appuyer sur BAKING DRAWER SLOW COOK (cuisson lente au tiroir de cuisson).
3. Utiliser les touches numériques pour régler la température souhaitée. Si la température entrée ne se trouve pas dans la fourchette des températures autorisées, la température minimale ou maximale autorisée s'affiche. Entrer une température dans la fourchette autorisée.
4. Appuyer sur START (mise en marche).
5. (Facultatif) Entrer la durée de cuisson souhaitée à l'aide du clavier numérique.
6. Appuyer sur START (mise en marche).
7. Appuyer sur CANCEL LOWER (annulation four inférieur) après avoir terminé.
8. Retirer les aliments du tiroir de cuisson.

Maintien au chaud avec le tiroir de cuisson :

Les aliments doivent être à la température de service avant d'être placés dans le tiroir chaud.

1. Placer les aliments dans le tiroir de cuisson.
2. Appuyer sur BAKING DRAWER KEEP WARM (maintien au chaud au tiroir de cuisson).
3. Utiliser les touches numériques pour régler la température souhaitée. Si la température entrée ne se trouve pas dans la fourchette des températures autorisées, la température minimale ou maximale autorisée s'affiche. Entrer une température dans la fourchette autorisée.
4. Appuyer sur START (mise en marche).
5. Appuyer sur CANCEL LOWER (annulation four inférieur) après avoir terminé.
6. Retirer les aliments du tiroir de cuisson.

Lampe du four

La lampe du four est une ampoule standard de 40 watts pour appareil électroménager. Avant le remplacement, s'assurer que le four et la table de cuisson sont froids et que les boutons de commande sont à la position OFF (d'arrêt).

Remplacement :

1. Débrancher la cuisinière ou déconnecter la source de courant électrique.
2. Tourner le protège-ampoule en verre à l'arrière du four dans le sens antihoraire et l'enlever.
3. Tourner l'ampoule dans le sens antihoraire pour l'enlever de la douille.
4. Remplacer l'ampoule en la tournant dans le sens horaire.
5. Remplacer le protège-ampoule en le tournant dans le sens horaire.
6. Brancher la cuisinière ou reconnecter la source de courant électrique.

Programme d'autonettoyage

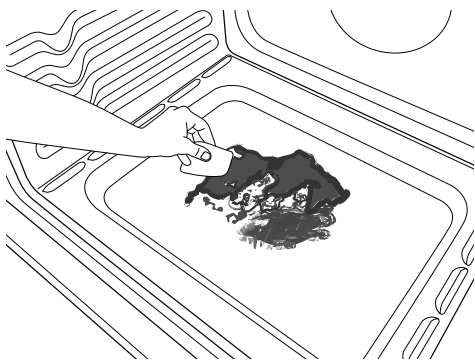
AquaLift® Self-Cleaning Technology

La technologie AquaLift® est une solution de nettoyage novatrice qui utilise la chaleur et l'eau pour débarrasser le four des produits renversés cuits en moins d'une heure. Cette nouvelle technologie de nettoyage est une alternative à basse température et sans odeurs aux options traditionnelles de d'autonettoyage automatique.

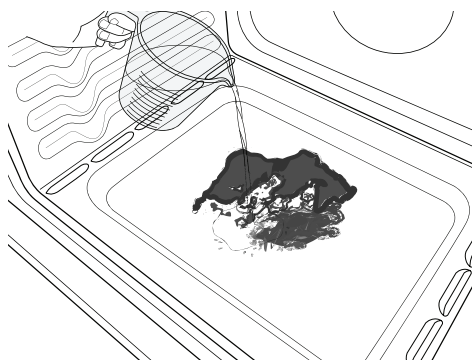
Laisser le four refroidir et atteindre la température ambiante avant d'utiliser le programme d'autonettoyage. Si la température de la cavité du four est supérieure à 200 °F (93 °C), "Oven Cooling" (refroidissement du four) apparaît sur l'afficheur et le programme d'autonettoyage ne s'activera pas avant que la cavité ait refroidi.

Nettoyage :

1. Retirer toutes les grilles et tous les accessoires de la cavité du four et essuyer l'excès de saleté. Utiliser une spatule en plastique pour enlever les saletés faciles à enlever.



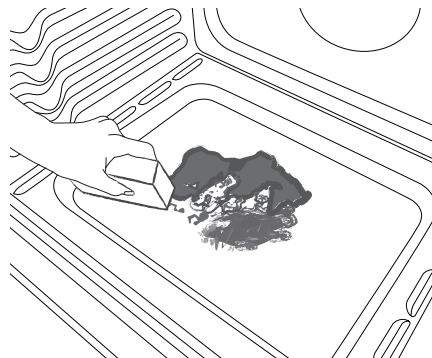
2. Verser 1¾ cups (14 oz [414 mL]) d'eau distillée ou filtrée dans le fond du four vide et fermer la porte du four.



IMPORTANT : Ne pas utiliser des produits chimiques ou d'autres additifs avec l'eau. Ne pas ouvrir la porte du four au cours du programme d'autonettoyage. L'eau au fond du four est chaude.

3. Appuyer sur AQUALIFT SELF CLEAN (autonettoyage AQUALIFT) et ensuite sur START (mise en marche) sur le tableau de commande du four.
4. Accorder 40 minutes pour le nettoyage et le refroidissement. Un signal sonore vous avertit lorsque le programme d'autonettoyage est terminé.

5. Appuyer sur CANCEL UPPER (annulation du four supérieur) à la fin du programme. On peut appuyer sur Cancel Upper (annulation du four supérieur) à tout moment pour arrêter le programme d'autonettoyage.
6. Enlever l'eau résiduelle et les saletés délogées avec une éponge ou un chiffon immédiatement après la fin du programme de nettoyage. La plupart de l'eau initiale contenue dans 1¾ cups (14 oz [414 mL]) restera dans le four après la fin du programme de nettoyage. S'il reste encore des saletés, laisser une petite quantité d'eau au fond du four pour aider le nettoyage.



7. S'il reste des saletés, les enlever avec une éponge à gratter non abrasive ou une spatule en plastique. Des programmes de nettoyage supplémentaires peuvent être lancés pour aider à se débarrasser des saletés tenaces.

IMPORTANT : Ne pas utiliser de nettoyeurs à four. L'utilisation de produits chimiques, y compris les nettoyeurs à four qu'on retrouve sur le marché, ou des tampons à récurer métalliques, pourrait causer des dommages permanents à la surface en porcelaine qui se trouve à l'intérieur du four.

REMARQUES :

- La cuisinière doit être d'aplomb de façon à s'assurer que la surface du fond de la cavité du four est couverte par l'eau au début du programme de nettoyage.
- Pour des résultats optimaux, utiliser de l'eau distillée ou filtrée. L'eau du robinet pourrait laisser des dépôts minéraux sur le fond du four.
- Avant d'enlever l'eau résiduelle et les saletés délogées à la fin du programme de nettoyage, insérer un chiffon ou un essuie-tout entre l'extrémité inférieure de la porte du four et l'avant du châssis, afin d'empêcher l'eau de se déverser sur le devant de la cuisinière et le plancher.
- Les saletés cuites suite à plusieurs programmes de cuisson seront plus difficiles à enlever avec le programme de nettoyage.
- Les éponges à gratter non abrasives ou les tampons nettoyeurs en gomme (sans nettoyeurs) peuvent être efficaces pour le nettoyage des parois de la cavité du four, de la porte du four et du fond du four pour les saletés difficiles. Pour de meilleurs résultats, mouiller les tampons et les éponges avant de les utiliser.
- Exécuter un programme de nettoyage supplémentaire pour les saletés tenaces.

- Le nettoyant pour appareils ménagers de cuisine affresh® et le nettoyant pour table de cuisson affresh® peuvent être utilisés pour nettoyer le fond du four, ses parois et sa porte lorsque le four a terminé le programme de nettoyage et que sa température est redevenue ambiante. Si l'on utilise le nettoyant pour table de cuisson affresh®, il est recommandé d'essuyer aussi la cavité avec de l'eau distillée. Consulter la section "Accessoires" pour obtenir des renseignements sur la commande.
- Des ensembles de nettoyage à technologie AquaLift® supplémentaires peuvent être obtenus en commandant la pièce numéro W10423113RP. Voir la section "Accessoires" pour plus d'informations.
- Pour obtenir de l'aide concernant la technologie AquaLift®, appeler 1-877-258-0808 aux É.-U. ou 1-800-807-6777 au Canada, ou visiter notre site Web <http://whirlpoolcorp.com/aqualift>.

Nettoyage général

IMPORTANT : Avant le nettoyage, s'assurer que toutes les commandes sont OFF (éteintes) et que le four et la table de cuisson sont froids. Toujours suivre les instructions figurant sur les étiquettes des produits de nettoyage. Pour plus d'informations, consulter la section service à la clientèle à l'adresse www.kitchenaid.com. Au Canada, consulter notre site Web www.kitchenaid.ca.

Du savon, de l'eau et un chiffon doux ou une éponge sont recommandés, à moins d'indications contraires.

SURFACES EXTÉRIEURES ÉMAILLÉES (sur certains modèles)

Les éclaboussures alimentaires acides, comme du vinaigre et de la tomate, doivent être nettoyés dès que la cuisinière a refroidi. Ces salissures peuvent endommager le fini.

Méthode de nettoyage :

- Nettoyant à vitre, nettoyant doux liquide ou tampon à récurer non abrasif :
Nettoyer doucement autour de la plaque signalétique car le frottement pourrait en effacer les chiffres.
- Nettoyant pour cuisine et appareils ménagers affresh® référence W10355010 (non fourni) :
Voir la section "Accessoires" pour plus de renseignements.

ACIER INOXYDABLE (sur certains modèles)

REMARQUE : Afin d'éviter d'endommager les surfaces en acier inoxydable, ne pas utiliser de tampons à récurer savonneux, de nettoyants abrasifs, de crème à polir pour table de cuisson, de tampons en laine d'acier, de chiffons de lavage rêches ou d'essuie-tout abrasifs. Ils peuvent endommager les surfaces en acier inoxydable, même après usage unique ou limité.

Méthode de nettoyage :

Frotter dans la direction du grain pour éviter les dommages.

- Nettoyant pour acier inoxydable affresh® référence W10355016 (non fourni) :
Voir la section "Accessoires" pour plus de renseignements.

Taches jaunes provoquées par la chaleur :

1. Ajouter une c. à soupe (15 mL) de sel dans $\frac{1}{4}$ de tasse contenant du vinaigre et mélanger pendant 1 minute. Le sel ne se dissout pas totalement.
2. Absorber le liquide contenant la préparation à base de vinaigre à l'aide d'un chiffon doux. Tamponner le chiffon mouillé sur les taches jaunes pendant 3 à 4 minutes. Plus l'acier inoxydable est mouillé, meilleurs seront les résultats de nettoyage.
3. Laisser poser jusqu'à ce que les taches jaunes se soient estompées. Essuyer le reste de la préparation à base de vinaigre à l'aide d'un chiffon doux et sec.
4. Répéter les étapes 1 à 3 jusqu'à ce que les taches jaunes aient disparu.
5. Nettoyer les résidus restants à l'aide d'un chiffon doux et frais et à l'eau propre. Sécher avec un chiffon propre et doux.

6. Utiliser le nettoyant affresh® pour acier inoxydable référence W10355016 (non inclus) afin de maintenir propre et de protéger la surface nettoyée.

REMARQUE : Retirer les grilles de surface avant de nettoyer la garniture de l'évent arrière. Veiller à ce que la préparation à base de vinaigre ne s'écoule pas dans les trous de l'évent ou à l'arrière de la cuisinière.

PEINTURE MÉTALLIQUE (sur certains modèles)

Ne pas utiliser de nettoyants abrasifs, de nettoyants avec agent de blanchiment, de produits antirouille, d'ammoniaque ou d'hydroxyde de sodium (soude), car la surface peinte pourrait se tacher.

GRILLES ET CHAPEAUX ÉMAILLÉS

Les renversements d'aliments contenant des produits acides, tels que vinaigre et tomates, doivent être nettoyés dès que la table de cuisson, les grilles et les chapeaux ont refroidi. Ces salissures peuvent endommager le fini.

Pour éviter l'écaillage, ne pas entrechoquer les grilles et les chapeaux ni les frapper contre des surfaces dures telles que les ustensiles en fonte.

Ne pas réinstaller les chapeaux sur les brûleurs lorsqu'ils sont mouillés.

Méthode de nettoyage :

- Ustensile de récurage en plastique non abrasif et nettoyant légèrement abrasif :
Nettoyer dès que la table de cuisson, les grilles et les chapeaux ont refroidi.
- Lave-vaisselle (les grilles seulement et non les chapeaux) :
Utiliser le programme le plus intensif. Les saletés cuites doivent être trempées ou frottées avant d'être placées au lave-vaisselle.
Bien que les grilles de brûleurs soient durables, elles perdront progressivement de leur lustre et (ou) se décoloreront lorsqu'on les lave au lave-vaisselle.
- Nettoyant pour grille et plateau d'égouttement pour installation à gaz – Pièce n° 31617 (non fournie) :
Voir la section "Accessoires" pour plus de renseignements.

BRÛLEURS DE SURFACE

Les renversements d'aliments contenant des produits acides, tels que vinaigre et tomates, doivent être nettoyés dès que la table de cuisson, les grilles et les chapeaux ont refroidi. Ces salissures peuvent endommager le fini.

Pour éviter l'écaillage, ne pas entrechoquer les grilles et les chapeaux ni les frapper contre des surfaces dures telles que les ustensiles en fonte.

Ne pas réinstaller les chapeaux sur les brûleurs lorsqu'ils sont mouillés.

Ne pas utiliser le programme d'autonettoyage pour les nettoyer.

Ne pas nettoyer au lave-vaisselle.

Méthode de nettoyage :

- Ustensile de récurage en plastique non abrasif et nettoyant légèrement abrasif :
Nettoyer dès que la table de cuisson, les grilles, les brûleurs et les chapeaux ont refroidi.
- Nettoyant pour plateau d'égouttement et grille de cuisinière à gaz (non fourni).

COMMANDES DE LA TABLE DE CUISSON

Afin d'éviter d'endommager les commandes de la table de cuisson, ne pas utiliser de laine d'acier, de nettoyants abrasifs ou de nettoyant pour four.

Afin d'éviter toute détérioration, ne pas laisser tremper les boutons de commande. Lors de la réinstallation des boutons, s'assurer que chaque bouton est à la position Off (arrêt).

Sur certains modèles, ne pas enlever les joints sous les boutons.

Méthode de nettoyage :

- Savon et eau :
Tirer les boutons en ligne droite hors du tableau de commande pour les enlever.

PLAQUE À FRIRE

Pour éviter d'endommager la surface antiadhésive, ne pas utiliser un tampon de laine d'acier ou des nettoyeurs abrasifs.

Méthode de nettoyage :

- Détergent doux
- Lave-vaisselle :
Bien que les grilles de brûleurs soient durables, elles perdront progressivement de leur lustre et (ou) se décoloreront lorsqu'on les lave au lave-vaisselle.

TABLEAU DE COMMANDE ET EXTÉRIEUR DE LA PORTE DU FOUR

Afin d'éviter d'endommager le tableau de commande, ne pas utiliser de nettoyeurs abrasifs, de tampons en laine d'acier, de chiffons de lavage rêches ou d'essuie-tout abrasifs.

Méthode de nettoyage :

- Nettoyeur à vitre et chiffon doux ou éponge :
Appliquer le nettoyeur à vitre sur un chiffon doux ou une éponge, et non directement sur le tableau.
- Nettoyeur pour cuisine et appareils ménagers affresh® référence W10355010 (non fourni) :
Voir la section "Accessoires" pour plus de renseignements.

GRILLES DU FOUR

Méthode de nettoyage :

- Tampon en laine d'acier
- Pour les grilles ternies qui glissent difficilement, enduire légèrement les glissières d'huile végétale; cela facilitera leur glissement.
- Lave-vaisselle (réservoir d'eau de la grille d'étuvage uniquement; la grille d'étuvage n'est pas lavable au lave-vaisselle) :
Bien que le réservoir soit durable, il perdra progressivement de son lustre et/ou se décolorera lorsqu'on le lave au lave-vaisselle.

TIROIR DE CUISSON

S'assurer que le tiroir de cuisson est froid et vide avant le nettoyage.

Les éclaboussures alimentaires doivent être nettoyées lorsque le four a refroidi. À haute température, les aliments réagissent avec l'émail et peuvent provoquer la formation de taches, une attaque acide, des piqûres ou des décolorations blanchâtres.

Méthode de nettoyage :

- Détergent doux

CAVITÉ DU FOUR

Utiliser régulièrement la technologie AquaLift® pour nettoyer les éclaboussures dans le four.

Ne pas utiliser de nettoyeurs à four.

Les éclaboussures alimentaires doivent être nettoyées lorsque le four a refroidi. À haute température, les aliments réagissent avec l'émail et peuvent provoquer la formation de taches, une attaque acide, des piqûres ou des décolorations blanchâtres.

Méthode de nettoyage :

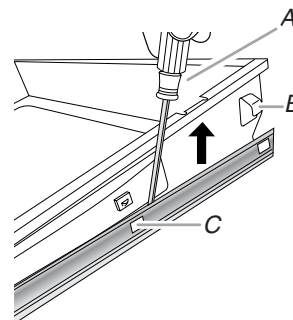
- Programme d'autonettoyage :
Voir d'abord la section "Programme d'autonettoyage".

Dépose et réinstallation du tiroir

Enlever tous les articles de l'intérieur du tiroir de cuisson au four ou tiroir de remisage de qualité supérieure et laisser la cuisinière refroidir complètement avant d'essayer d'enlever le tiroir.

Dépose :

1. Ouvrir complètement le tiroir.
2. À l'aide d'un tournevis à lame plate, desserrer doucement le tiroir pour le dégager de l'encoche d'alignement de glissière et soulever l'onglet d'alignement du tiroir pour le dégager de la glissière.

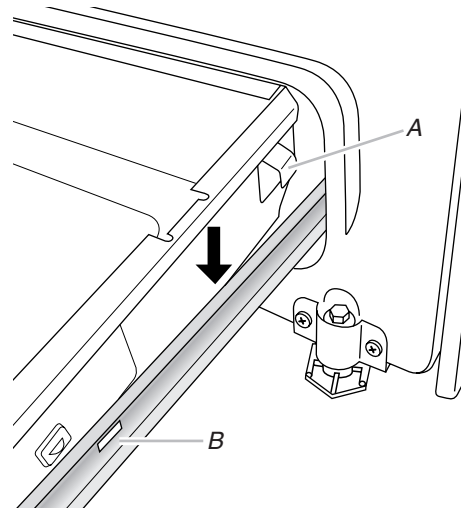


A. Tournevis à lame plate
B. Onglet d'alignement du tiroir
C. Encoche de glissière du tiroir

3. Répéter l'étape 2 pour l'autre côté. Le tiroir n'est plus fixé aux glissières de tiroir. Avec les deux mains, saisir le tiroir pour le retirer complètement.

Réinstallation :

1. Aligner les encoches de l'avant du tiroir avec les encoches des glissières latérales à l'intérieur du tiroir (de chaque côté). Placer les onglets d'alignement arrière dans les glissières de tiroir (de chaque côté).



A. Onglet d'alignement du tiroir
B. Encoche de glissière du tiroir

2. Pousser le tiroir complètement.
3. Ouvrir et fermer délicatement le tiroir pour s'assurer qu'il est bien engagé dans les glissières (de chaque côté).

DÉPANNAGE

Essayer d'abord les solutions suggérées ici. Pour obtenir de l'aide ou des conseils qui permettront peut-être d'éviter une intervention de dépannage, consulter la page de garantie, ou visiter le site Internet <http://www.kitchenaid.com/customer-service>.

Au Canada, visiter le site Internet <http://www.kitchenaid.ca>.

Vous pouvez adresser tous commentaires ou questions par courrier à l'adresse ci-dessous :

Aux États-Unis :


KitchenAid Brand Home Appliances
Customer eXperience Center
553 Benson Road
Benton Harbor, MI 49022-2692

Au Canada :

KitchenAid Brand Home Appliances
Customer eXperience Centre
200 - 6750 Century Ave.
Mississauga, Ontario L5N 0B7

Veillez indiquer dans votre correspondance un numéro de téléphone où l'on peut vous joindre dans la journée.

⚠ AVERTISSEMENT



Risque de choc électrique

Brancher sur une prise à 3 alvéoles reliée à la terre.

Ne pas enlever la broche de liaison à la terre.

Ne pas utiliser un adaptateur.

Ne pas utiliser un câble de rallonge.

Le non-respect de ces instructions peut causer un décès, un incendie ou un choc électrique.

Problème	Causes et/ou solutions possibles
Rien ne fonctionne	<p>Cordon d'alimentation électrique débranché - Le brancher à une prise secteur reliée à la terre.</p> <p>Le mode ENERGY SAVE est actif et l'affichage est vide - Appuyer sur une touche quelconque du tableau de commande pour afficher l'heure. Voir la section "Commandes électroniques du four".</p> <p>Un fusible du domicile est grillé ou un disjoncteur s'est ouvert - Remplacer le fusible ou réarmer le disjoncteur. Si le problème persiste, appeler un électricien.</p> <p>Le robinet principal d'arrêt ou de réglage du gaz est à la position fermée - Voir les Instructions d'installation.</p> <p>La cuisinière n'est pas adéquatement branchée à l'alimentation en gaz - Contacter un technicien de réparation qualifié ou voir les Instructions d'installation.</p>
Les brûleurs de surface ne fonctionnent pas	<p>Le bouton de commande n'est pas correctement engagé - Appuyer sur le bouton avant de le tourner à un réglage donné.</p> <p>Présence d'air dans les conduites de gaz - Si c'est la première fois que les brûleurs de surface sont utilisés, allumer n'importe quel bouton de brûleur de surface afin de libérer l'air présent dans les canalisations.</p> <p>Orifices de brûleurs obstrués - Voir la section "Brûleurs de surface scellés".</p>
Les flammes des brûleurs de surface ne sont pas uniformes, sont de teinte jaune et/ou sont bruyantes	<p>Orifices de brûleurs obstrués - Voir la section "Brûleurs de surface scellés".</p> <p>Chapeaux de brûleurs mal positionnés - Voir la section "Brûleurs de surface scellés".</p> <p>Conversion inappropriée de la cuisinière - Si l'on utilise du gaz propane, contacter un technicien de service ou consulter la "Garantie" pour des renseignements de contact.</p>
Chaleur excessive autour des ustensiles de cuisson sur la table de cuisson	<p>Les ustensiles de cuisson ne correspondent pas à la flamme - Les ustensiles de cuisson doivent être centrés au-dessus du brûleur tout en étant posés à l'horizontale au fond sur la grille. La flamme doit être réglée de sorte qu'elle ne s'étende pas sur les côtés du plat.</p>
La cuisson ne produit pas les résultats prévus	<p>Ustensiles de cuisson inappropriés - Les ustensiles de cuisson idéals doivent avoir un fond plat, des parois droites, un couvercle qui ferme hermétiquement et le matériau doit être d'épaisseur moyenne à forte.</p> <p>Le bouton de commande est réglé sur une puissance de chauffe incorrecte - Voir la section "Utilisation de la table de cuisson".</p> <p>La cuisinière n'est pas d'aplomb - Régler l'aplomb de la cuisinière. Voir les Instructions d'installation.</p>

Problème	Causes et/ou solutions possibles
Le four ne fonctionne pas	<p>Présence d'air dans les conduites de gaz - Si c'est la première fois que les brûleurs de surface sont utilisés, allumer n'importe quel bouton de brûleur de surface afin de libérer l'air présent dans les canalisations.</p> <p>Les commandes sont verrouillées - Appuyer sur la touche START (mise en marche) pendant 3 secondes pour les déverrouiller.</p> <p>La cuisinière est en mode démonstration - Le mode démonstration désactivera tous les éléments chauffants. Voir "Mode de démonstration" dans la section "Commandes électroniques du four".</p> <p>Réglage incorrect des commandes électroniques du four - Voir la section "Commandes électroniques du four".</p>
Les flammes du brûleur du four sont jaunes ou bruyantes	Conversion inappropriée de la cuisinière - Si l'on utilise du gaz propane, contacter un technicien de service ou consulter la "Garantie" pour des renseignements de contact.
La température du four est trop élevée ou trop basse	La température du four doit être ajustée - Voir "Commande de température du four" dans la section "Commandes électroniques du four".
Le ventilateur de convection ne fonctionne pas	<p>Le programme de convection se déroule pendant les 5 premières minutes de fonctionnement. Ceci est normal. Le ventilateur de convection commencera à fonctionner pendant environ 5 minutes dans le programme.</p> <p>La porte du four est ouverte - Si la porte du four est ouverte durant la cuisson par convection, le ventilateur s'éteint immédiatement. Il s'allume à nouveau lorsque la porte du four est fermée.</p>
Des messages s'affichent	<p>Panne de courant (l'afficheur indique une heure clignotante) - Effacer l'affichage. Sur certains modèles, régler de nouveau l'horloge au besoin. Voir la caractéristique de touche "Clock" (horloge) à la section "Guide des caractéristiques".</p> <p>Code d'erreur (l'afficheur indique une lettre suivie d'un numéro) - Selon le modèle, appuyer sur CANCEL (annulation) pour effacer l'affichage. Voir "Affichage de commande" dans la section "Commandes électroniques du four". S'il réapparaît, appeler le service de dépannage. Voir la "Garantie" pour des renseignements de contact.</p> <p>Il faut appuyer sur la touche Start (mise en marche) pour démarrer un programme (l'afficheur indique "PUSH" ou "PSH" [appuyer]) - Voir la fonction de la touche "Start (mise en marche)" dans la section "Guide des caractéristiques".</p> <p>La cuisinière est en mode Sabbath (l'afficheur indique "SAb") - Appuyer sur CANCEL (annulation) pour quitter le mode Sabbath.</p>
Le programme de nettoyage n'a pas éliminé toutes les salissures	Plusieurs programmes de cuisson entre les programmes de nettoyage, ou éclaboussures sur les parois et la porte du four - Lancer des programmes de nettoyage supplémentaires. Utiliser le nécessaire de nettoyage à technologie Aqualift®. Pour les salissures tenaces, utiliser le nettoyant pour cuisine et appareils ménagers affresh® ou le nettoyant pour table de cuisson affresh®. Voir la section "Accessoires" et "Programme de nettoyage" pour plus de renseignements.
Des dépôts minéraux se forment au fond du four après le programme de nettoyage	<p>Le programme de nettoyage a été effectué avec de l'eau du robinet - Utiliser de l'eau distillée ou filtrée pour le programme de nettoyage.</p> <p>Utiliser un chiffon imbibé de vinaigre pour enlever les dépôts. Utiliser ensuite un chiffon humide pour enlever complètement tout résidu de vinaigre.</p> <p>La cuisinière n'est pas d'aplomb - Les dépôts minéraux s'accumulent sur les surfaces sèches du fond du four durant le programme de nettoyage. Régler l'aplomb de la cuisinière. Voir les Instructions d'installation.</p> <p>Utiliser un chiffon imbibé de vinaigre pour enlever les dépôts. Utiliser ensuite un chiffon humide pour enlever complètement tout résidu de vinaigre.</p>

Problème	Causes et/ou solutions possibles
La cuisson au four ne produit pas les résultats prévus	<p>La cuisinière n'est pas d'aplomb - Régler l'aplomb de la cuisinière. Voir les instructions d'installation.</p> <p>Le réglage de la température était incorrect - Revérifier la recette dans un livre de cuisine fiable.</p> <p>La température du four doit être ajustée - Voir "Commande de température du four" dans la section "Commandes électroniques du four".</p> <p>Le four n'a pas été préchauffé - Voir la section "Cuisson au four et rôtissage".</p> <p>Les grilles n'étaient pas placées correctement : Voir la section "Positionnement des grilles et ustensiles de cuisson au four".</p> <p>Circulation d'air déficiente autour des ustensiles de cuisson - Voir la section "Positionnement des grilles et ustensiles de cuisson au four".</p> <p>Brunissement excessif des aliments causé par un plat à four terne ou foncé - Diminuer la température du four de 25 °F (15 °C) ou placer la grille plus haut dans le four.</p> <p>Brunissement insuffisant des aliments causé par un plat à four brillant ou clair - Placer la grille plus bas dans le four.</p> <p>Répartition irrégulière de la pâte dans le plat - Vérifier que la pâte est répartie uniformément dans le plat.</p> <p>Durée de cuisson incorrecte - Revoir la durée de cuisson.</p> <p>Porte du four non fermée - Vérifier que le plat à four n'empêche pas la fermeture de la porte.</p> <p>La porte du four a été ouverte durant la cuisson - L'ouverture de la porte pour vérifier la cuisson laisse échapper la chaleur du four et peut allonger la durée de cuisson.</p> <p>La grille est trop proche du brûleur de cuisson au four, ce qui brunit trop le fond des aliments cuits au four - Placer la grille plus haut dans le four.</p> <p>Les croûtes des tartes brunissent trop vite - Recouvrir de papier d'aluminium le périmètre de la croûte et/ou réduire la température de cuisson du four.</p>

Bruits

Problème	Causes et/ou solutions possibles
Le brûleur de surface émet des bruits d'éclatement	Brûleur mouillé : Laisser au brûleur le temps de sécher.
Bruits émis par la cuisinière à gaz lors des opérations de cuisson au four et de cuisson au gril Voici quelques bruits normaux avec des explications.	Ces bruits sont des bruits de fonctionnement normaux qui peuvent survenir chaque fois que les brûleurs de cuisson au four ou de cuisson au gril s'allument au cours du programme.
Éclatement	Le robinet de gaz s'ouvre ou se met en marche; un seul bruit d'éclatement retentit lorsqu'il se libère du solénoïde. Le bruit est similaire au bruit de succion qu'émettrait une ventouse que l'on retire d'une surface de verre. Ceci est normal.
Déclic	Les allumeurs émettent plusieurs déclics jusqu'à ce que la flamme soit détectée. Il s'agit de bruits de claquements courts, similaires au bruit d'un ongle tapotant sur une surface de verre. Ceci est normal. Le relais du ventilateur de convection fonctionne par intermittence (sur certains modèles). Ceci est normal.
Crissement ou pouf	Le brûleur de cuisson au four ou au gril est en train de s'allumer - Ceci est normal.
Les flammes du brûleur du four sont jaunes ou bruyantes	Conversion inappropriée de la cuisinière : Si l'on utilise du gaz propane, contacter un technicien de service ou consulter la "Garantie" pour des renseignements de contact.

ACCESSOIRES

Pour les accessoires, consulter notre site Web www.kitchenaid.com ou nous contacter au **1-800-422-1230**.

Au Canada, visitez notre site Web à l'adresse www.kitchenaid.ca ou appelez-nous au **1-800-807-6777**.

Ensemble d'entretien de la table de cuisson
(modèles avec vitrocéramique)
(comprend le nettoyeur, le protecteur, son applicateur, le grattoir et les tampons à nettoyer)
Commander la pièce numéro 31605

Protecteur de table de cuisson
(modèles avec vitrocéramique)
Commander la pièce numéro 31463A

Chiffons pour acier inoxydable affresh®
(modèles en acier inoxydable)
Commander la pièce numéro W10355049

Nettoyeur pour table de cuisson affresh®
(modèles avec vitrocéramique)
Commander la pièce numéro W10355051

Tampons à nettoyer les tables de cuisson
(modèles avec vitrocéramique)
Commander la pièce numéro W10391473

Nettoyeur pour acier inoxydable affresh®
(modèles en acier inoxydable)
Commander la pièce numéro W10355016

Nettoyeur pour cuisine et appareils électroménagers affresh®
Commander la pièce numéro W10355010

Ensemble de nettoyage pour four à technologie AquaLift®
Commander la pièce numéro W10423113RP

Grattoir pour table de cuisson
(modèles avec vitrocéramique)
Commander la pièce numéro WA906B

Nettoyeur et poli pour granite
Commander la pièce numéro W10275756

Nettoyeur pour plateau d'égouttement et grille de cuisinière à gaz
Commander la pièce numéro 31617A

Ensemble pour la mise en conserves
(modèles avec éléments en spirale)
Commander la pièce numéro 242905

Plaque à frire Gourmet
Commander la pièce numéro W10432539

Grille de four plate standard
Commander la pièce numéro W10551060

Grille de four déployante
Commander la pièce numéro W10554008

Grille d'étuvage du four
Grille - Service intense, cuisson au four vapeur - Commander la pièce numéro W10554007

Ensemble - Réservoir, grille d'étuvage - Commander la pièce numéro W10686408
Réservoir - Service intense, grille d'étuvage - Commander la pièce numéro W10567015

Boîte - Réservoir, grille d'étuvage - Commander la pièce numéro W10686405

Grille de four en deux pièces
Commander la pièce numéro 4396927

Grille à capacité maximale
Commander la pièce numéro W10289145

Lèchefrite et grille en porcelaine
Commander la pièce numéro 4396923

Lèchefrite et grille de rôtissage de qualité supérieure
Commander la pièce numéro W10123240

Jeu de garnitures
5/8" (1,7 cm) Blanc - Commander la pièce numéro W10675027
5/8" (1,7 cm) Noir - Commander la pièce numéro W10675026
5/8" (1,7 cm) Acier inoxydable - Commander la pièce numéro W10675028
1 1/8" (2,9 cm) Blanc - Commander la pièce numéro W10731885
1 1/8" (2,9 cm) Noir - Commander la pièce numéro W10731886
1 1/8" (2,9 cm) Acier inoxydable - Commander la pièce numéro W10731887

Panneau anti-éclaboussures
Blanc - Commander la pièce numéro W10655448

Noir - Commander la pièce numéro W10655449
Acier inoxydable - Commander la pièce numéro W10655450

Ensemble gril
Commander la pièce numéro W10432545

IMPORTANT : Lorsque la cuisinière est utilisée sous les modèles de micro-ondes : JMC82808CB-0, JMV9196CB-0, ou YJMV9196CB-0, il est nécessaire de commander et d'utiliser la plaque du déflecteur de porte référence W10737014.

